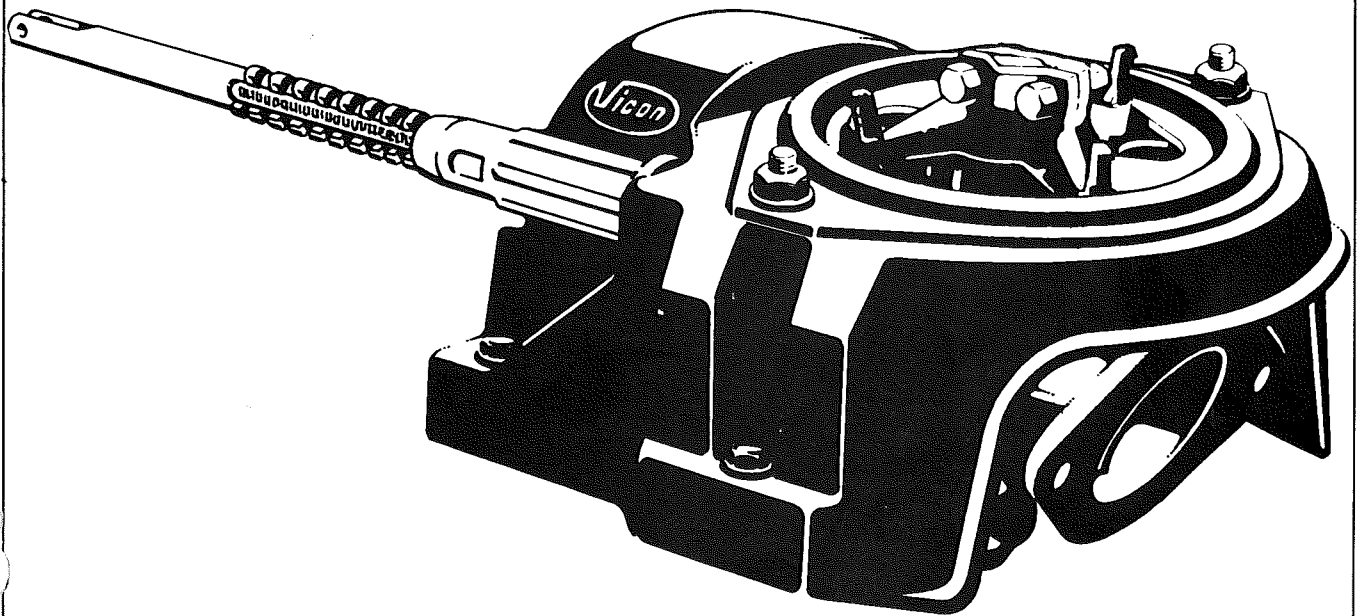


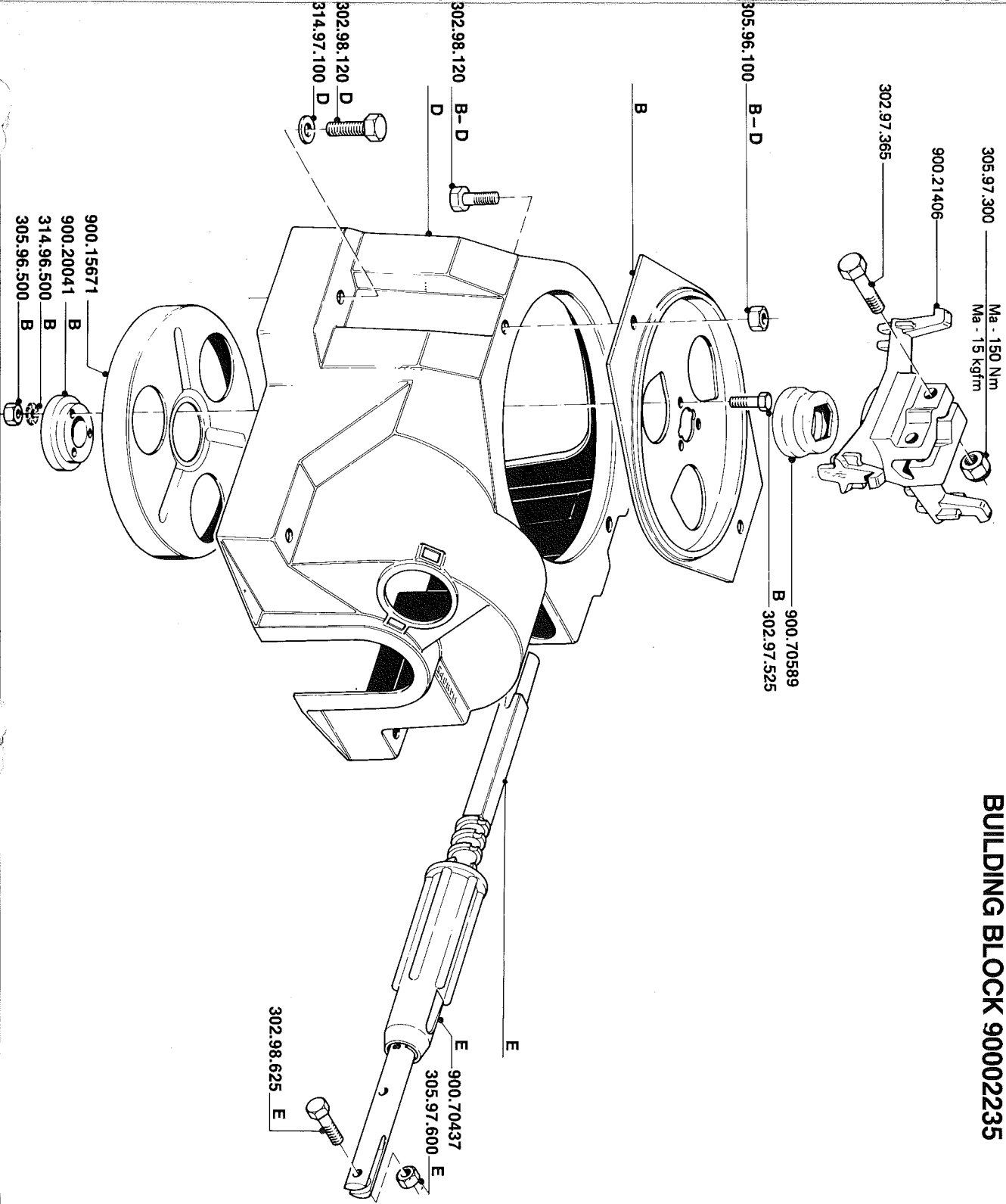


**spare parts list  
vari-spreader  
spreading unit**

**serie 22116**



**BUILDING BLOCK 90002235**



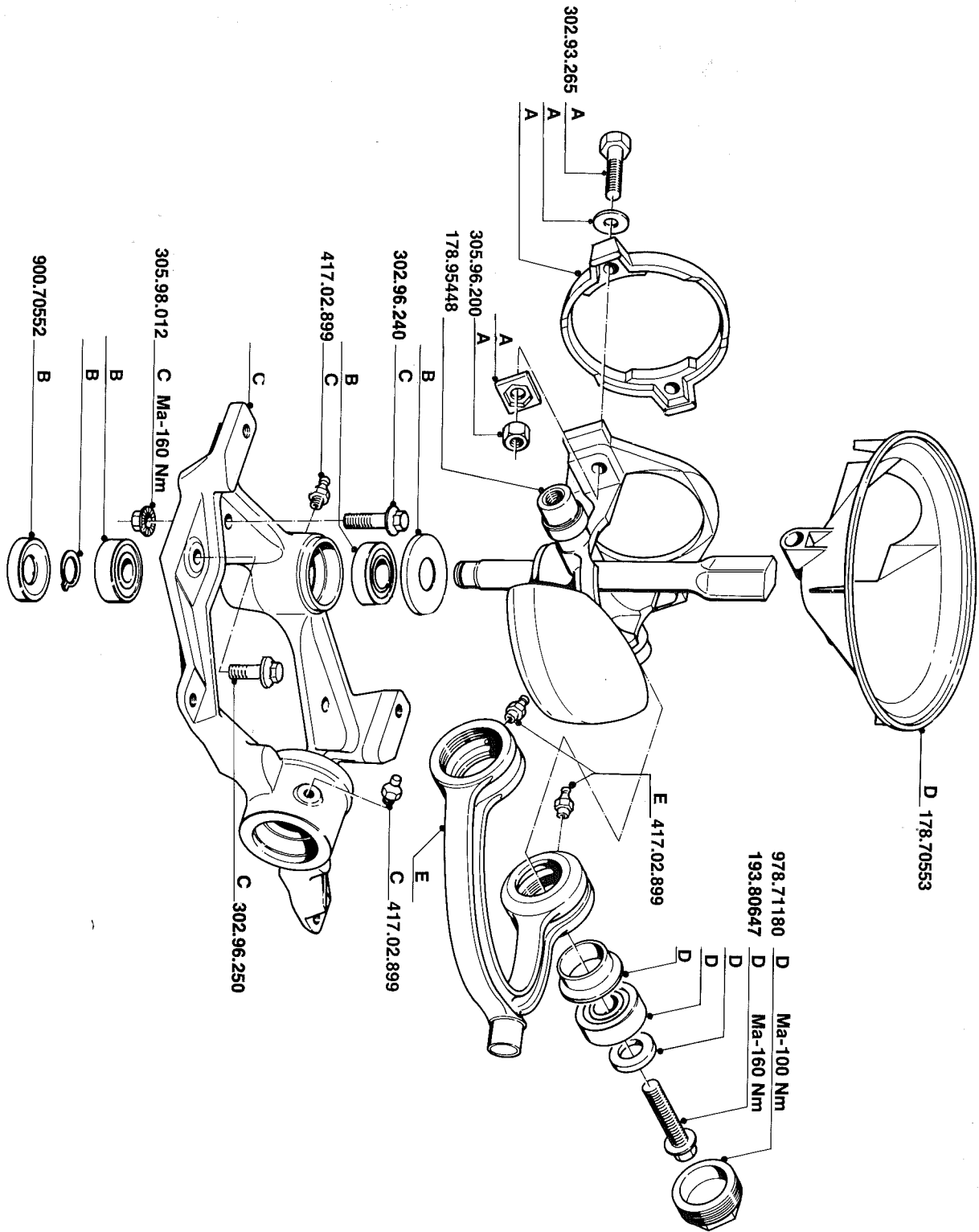
bestellnummer  
ordernummer  
num. a commander  
Bestellnummer



B=79220016  
D=79220018  
E=79220019

900.02235	1	8-8-M14x65
302.97.365	2	8-8-M5x25
302.97.525	3	8-8-M10x20
302.98.120	6	8-8-M6x25
302.98.625	1	8/M10
305.96.100	2	8/M5
305.96.500	3	8/M14
305.97.300	2	8/M6
305.97.600	1	8/M6
314.96.500	3	A 5,1
314.97.100	4	10,5
900.15671	1	
900.20041	1	
900.21406	1	
900.70437	1	
900.70589	1	

Serial num. 116  
 BUILDING BLOCK 90002235



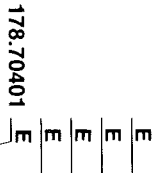
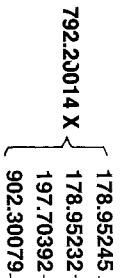
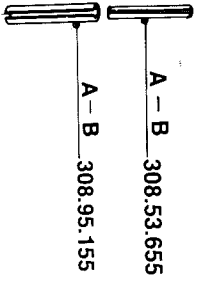
bestelnummer  
 order number  
 num. à commander  
 Bestellnummer



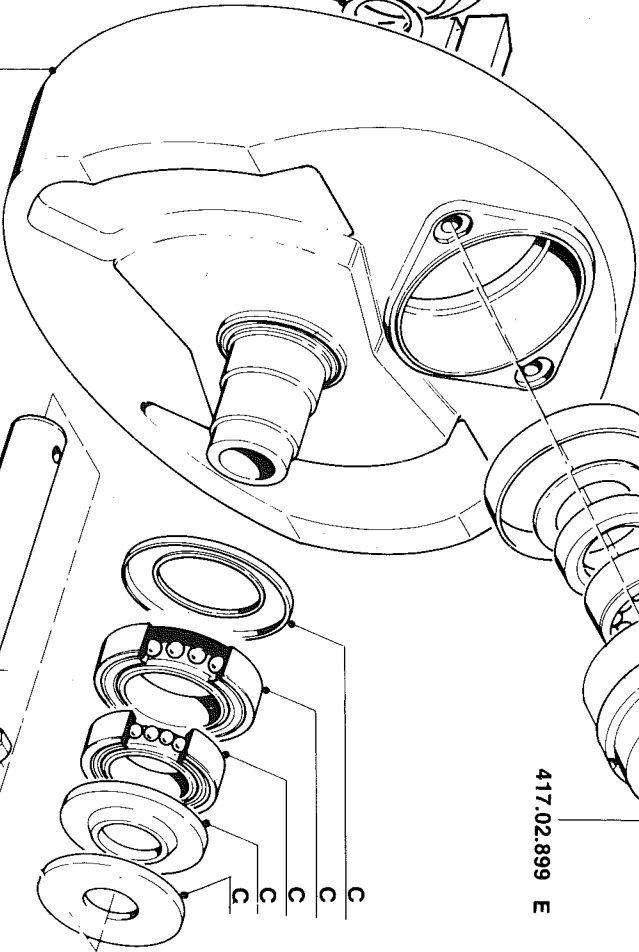
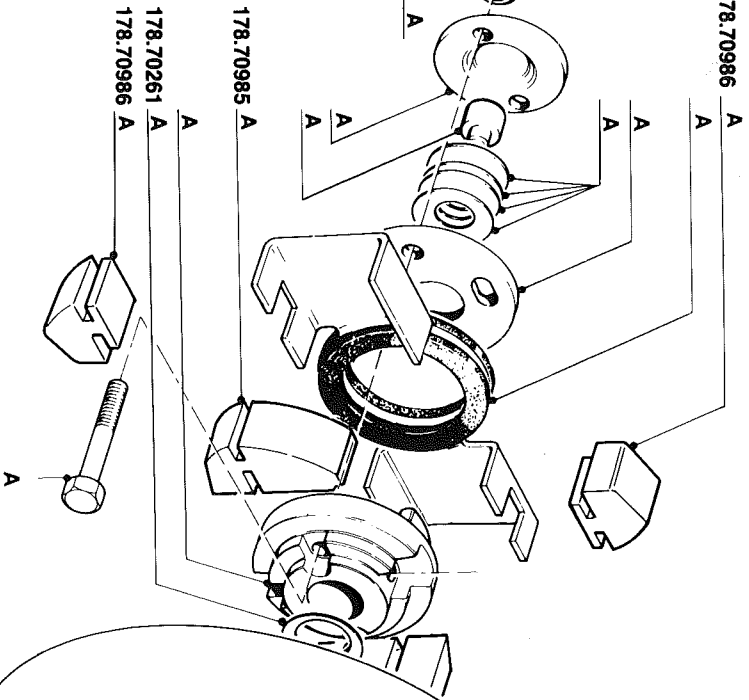
A = 79220020  
 B = 79220021  
 C = 79220022  
 D = 79220030  
 E = 79220024

900.02235	1	
178.70553	1	
178.95448	1	
193.80647	2	10.9-M12x65
302.93.265	2	K100-M12x40
302.96.240	2	K100-M12x50
305.96.200	2	8/M12
305.98.012	4	K10/M12
417.02.899	4	M8x1,25
900.70552	1	
978.71180	2	

bestelnummer  
 order number  
 num. à commander  
 Bestellnummer



Ma-23 Nm 302.96.825



A=79220037  
 B=79220026  
 C=79220027  
 E=79220029  
 79220014X

900.02235	1	
178.70261	1	
178.70401	1	
178.70985	2	
178.70986	2	
178.95232	1	
178.95245	1	
194.20324	1	
197.70392	1	
302.96.825	1	K100-M8x25
303.97.150	1	10.9-M10x50
305.97.100	1	8/M10
308.53.655	1	6x55
308.95.155	1	10x55
417.02.899	4	M8x1,25
902.30079	1	