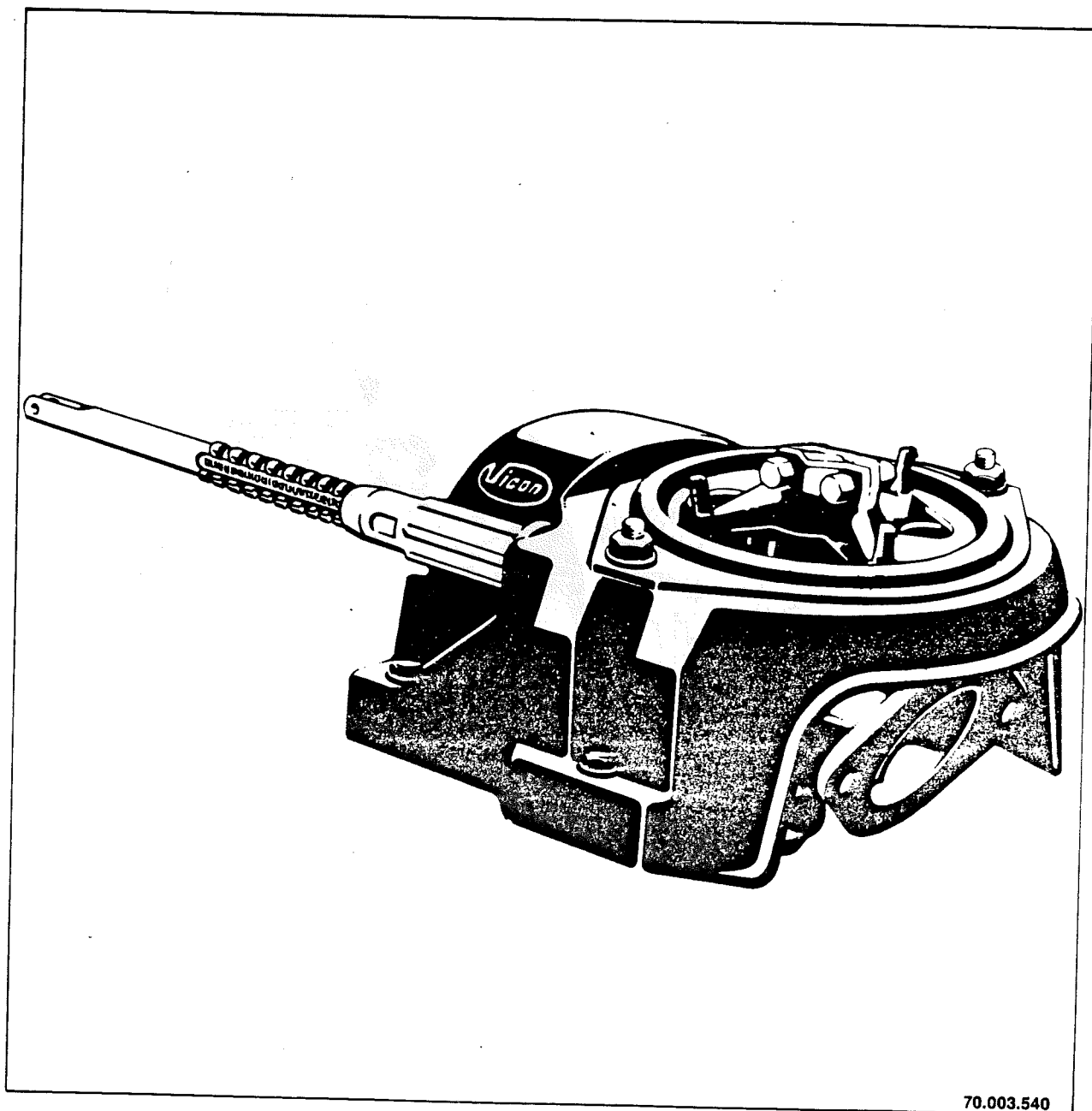




spare parts list  
vari-spreader  
spreading unit

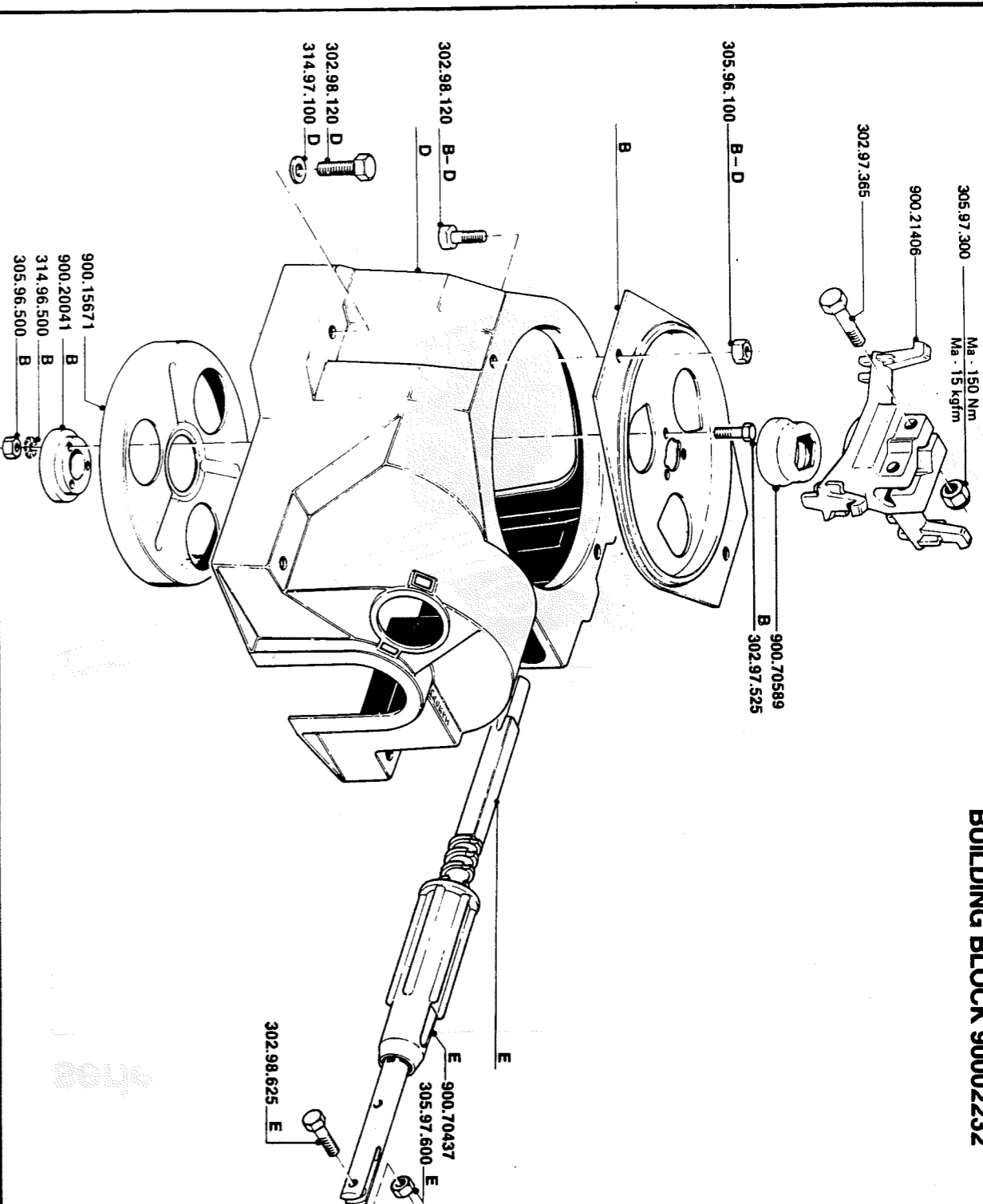
serie 22114



serial number 22114

F10

BUILDING BLOCK 90002232



Bestellnummer  
ordernummer  
num. à commander  
Bestellnummer

B=79220016  
D=79220018  
E=79220019

900.02232	1	8.8-M14x65
302.97.365	2	8.8-M5x25
302.97.525	3	8.8-M10x20
302.98.120	6	8.8-M6x25
305.96.100	2	8/M10
305.96.500	3	8/M5
305.97.300	2	8/M14
305.97.600	3	8/M6
314.96.500	3	A 5,1
314.97.100	4	10,5
900.15671	1	
900.20041	1	
900.21406	1	
900.70437	1	
900.70589	1	

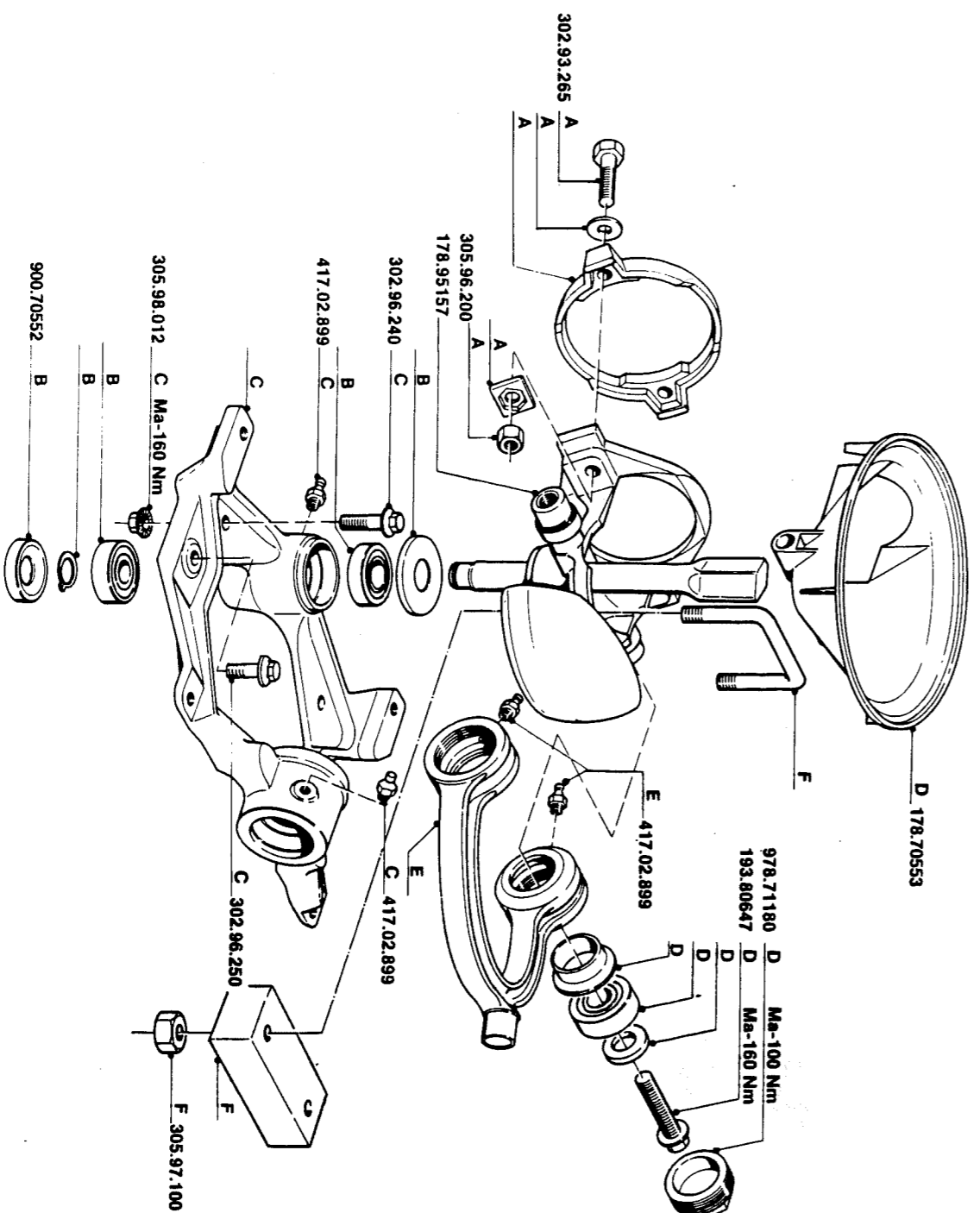
70.003.540-2

SU



serial number 22114  
BUILDING BLOCK 90002232

F11



bestellnummer  
ordernummer  
num. à commander  
Bestellnummer

A = 79220020  
B = 79220021  
C = 79220022  
D = 79220030  
E = 79220024  
F = 79220035



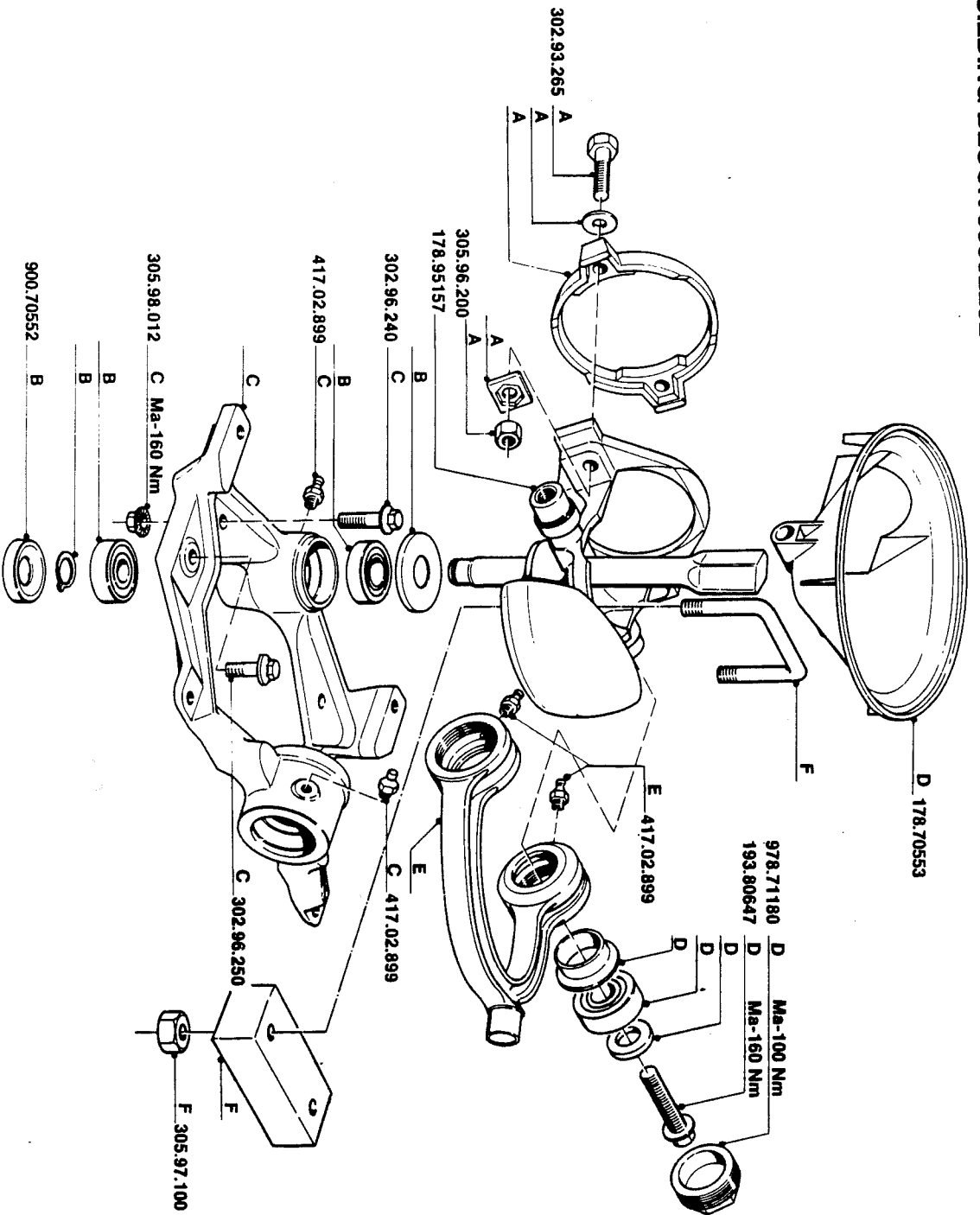
SU

70.003.540-3

PE02702

Serial number 22114  
**BUILDING BLOCK 90002232**

F11



SU

bestelnummer  
 ordernummer  
 num. à commander  
 Bestellnummer



A = 79220020  
 B = 79220021  
 C = 79220022  
 D = 79220030  
 E = 79220024  
 F = 79220035

900.02232	1	
178.70553	1	
178.95157	1	
193.80647	2	
302.93.265	2	10.9-M12x65
302.96.240	2	K100-M12x40
302.96.250	2	K100-M12x50
305.96.200	2	8/M12
305.97.100	2	8/M10
305.98.012	4	K10/M12
417.02.899	4	M8x1,25
900.70552	1	
978.71180	2	

70.003.540.3

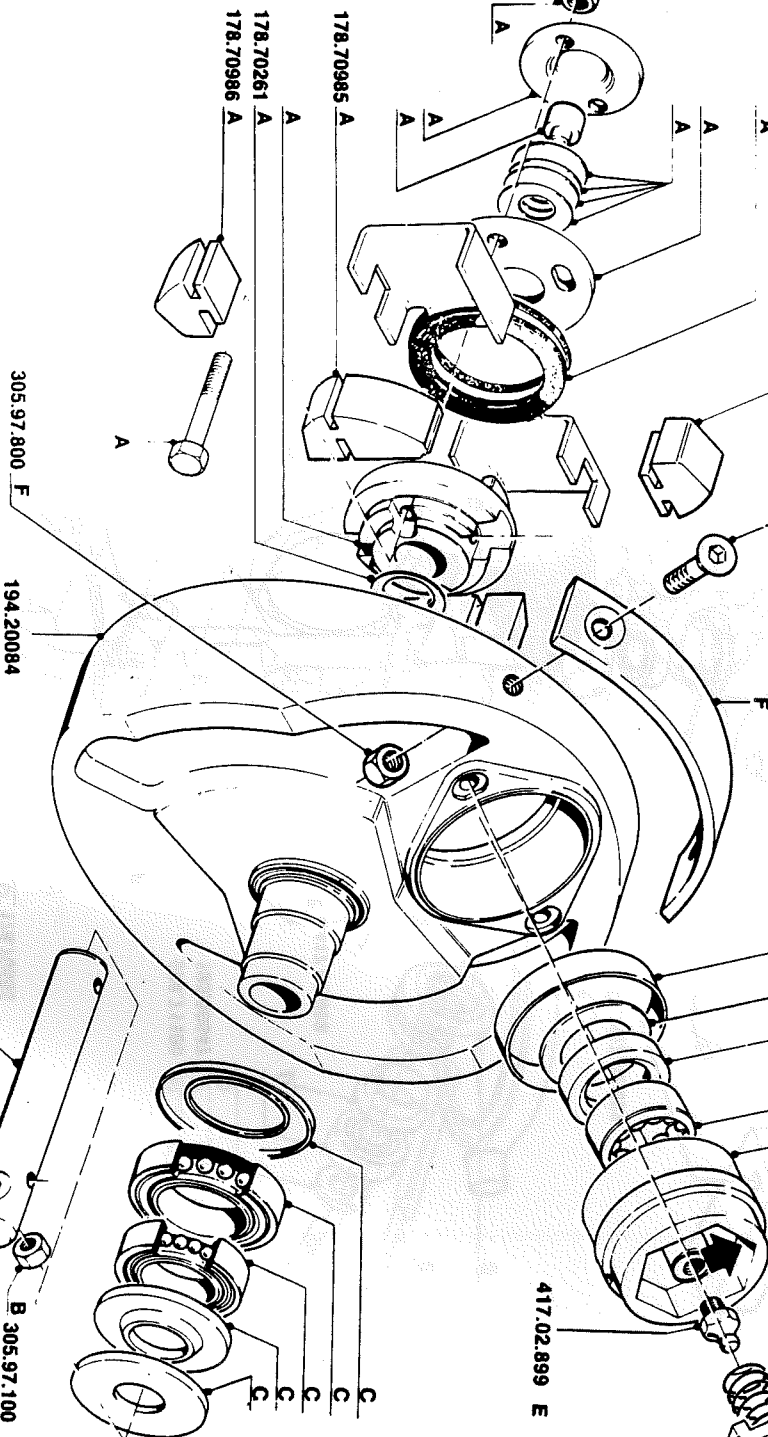
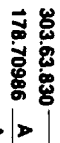
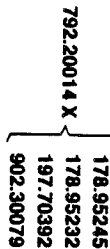
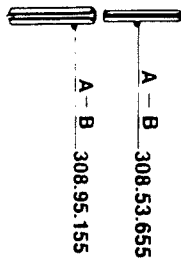
serial number 22114

**BUILDING BLOCK 90002232**

F12

SU

bestelnummer  
order number  
num. à commander  
Bestellnummer



900.02232	1	
178.70261	1	
178.70401	1	
178.70985	2	
178.70986	2	
302.96.825	1	K100-M8x25
303.63.830	2	10.9-M8x30
303.97.150	1	8/M10
305.97.100	1	8/M8
305.97.800	2	6x55
308.53.655	1	10x55
308.95.155	1	M8x1,25
417.02.899	4	

70.003.540.4

PE02703