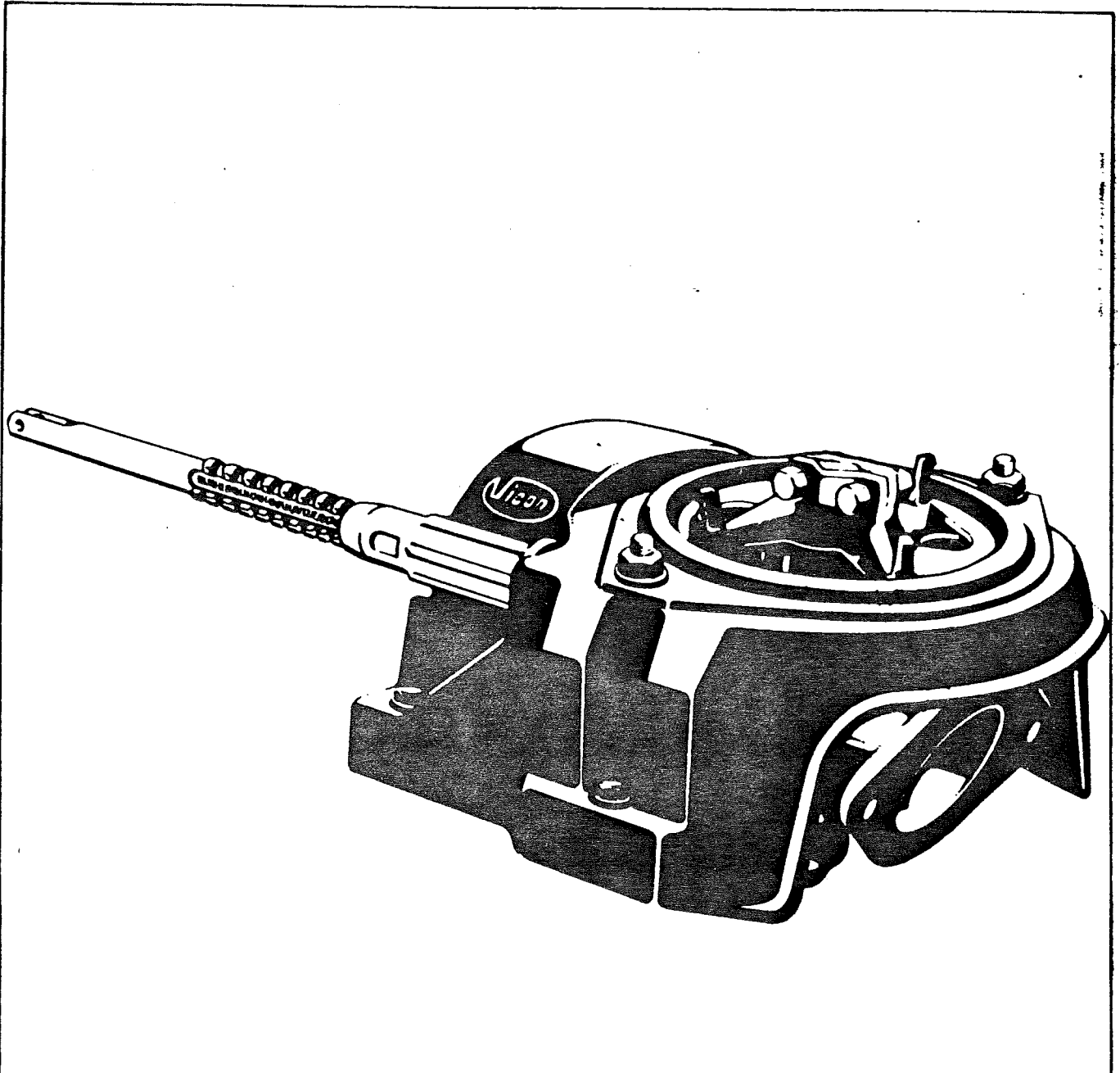


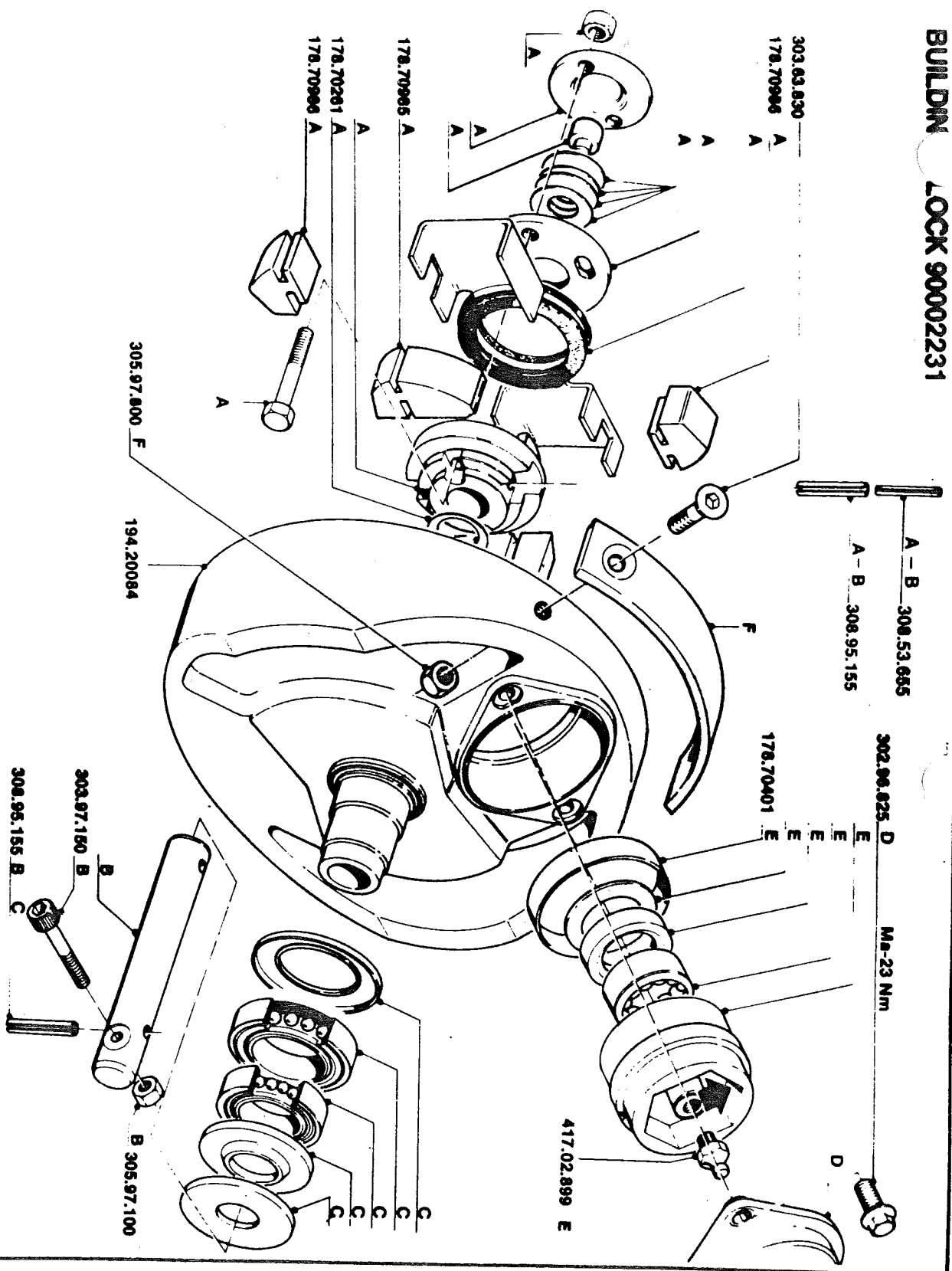


**spare parts list
vari-spreader
spreading unit**

serie 22113



BUILDIN LOCK 90002231



302.96.825 D Ma-23 Nm

A - B 308.53.655
A - B 308.95.155

303.63.830
178.70986

178.70401 E

178.70281 A
178.70986 A

305.97.800 F
194.20084

303.97.180 B
308.95.155 B C
305.97.100 B

417.02.899 E

bestelnummer
order number
num. à commander
Bestellnummer

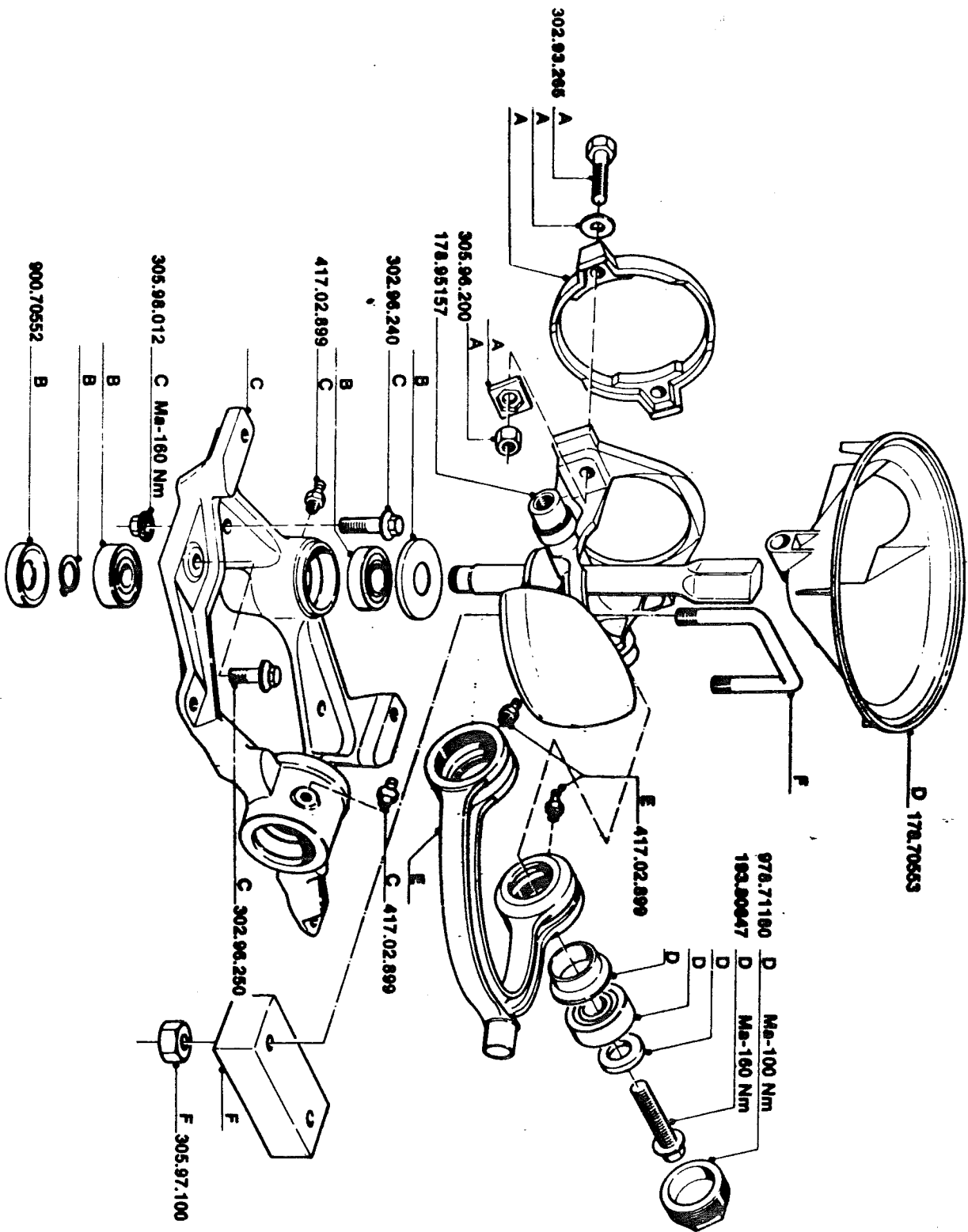


A=79220037	1	K100-M8x25
B=79220026	1	10.9-M8x30
C=79220027	1	10.9-M10x50
D=79220028	3	8/M10
E=79220029	1	8x55
F=79220036	1	10x55
90002231	1	M8x1,25
178.70281	1	
178.70401	1	
178.70985	2	
178.70986	2	
194.20084	1	
302.96.825	1	
303.63.830	2	
303.97.150	1	
305.97.100	3	
308.53.655	1	
308.95.155	1	
417.02.899	4	

serial number 2113

BUILDING BLOCK 90002231

F8



SU

Bestellnummer
order number
num. à commander
Bestellnummer

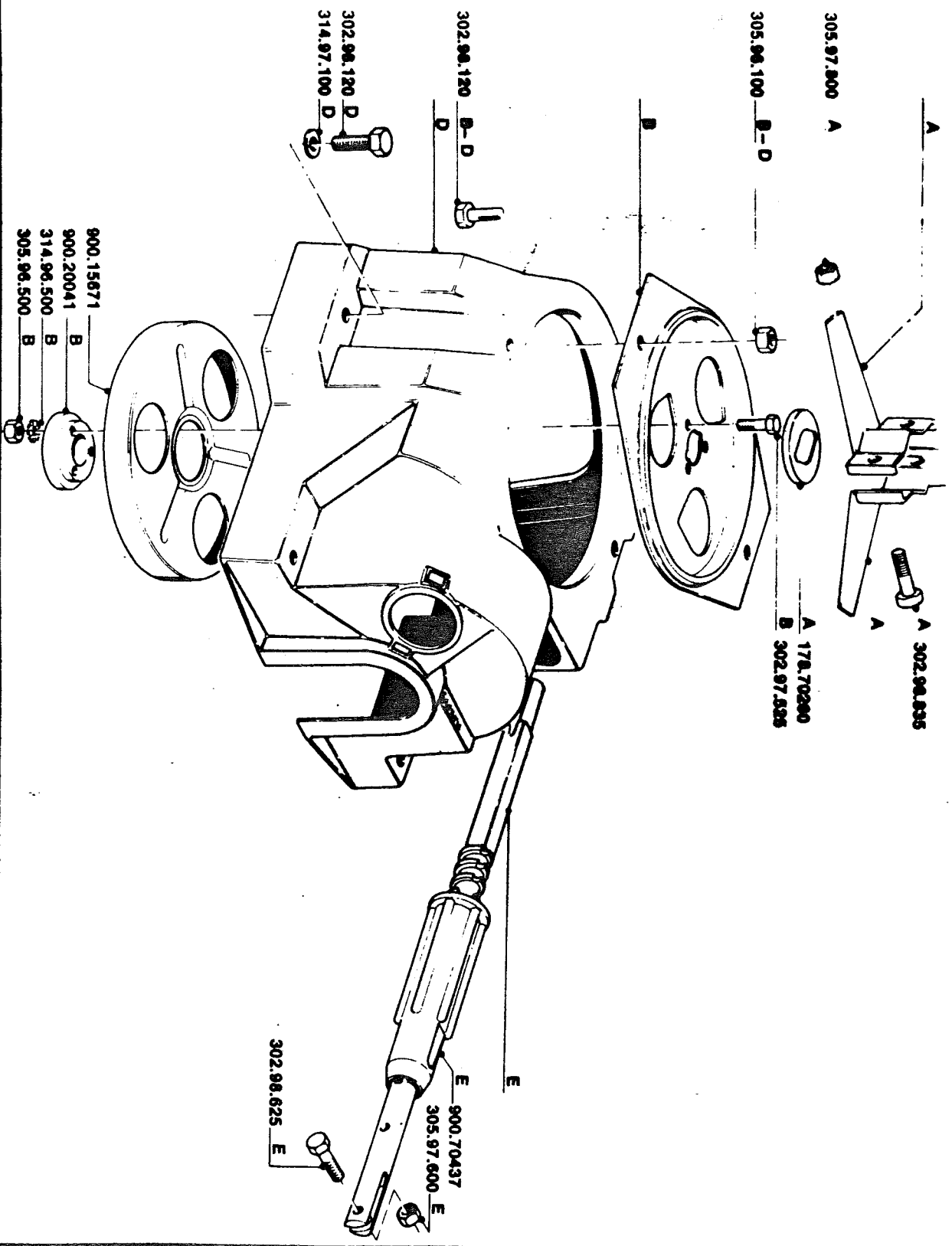


A = 79220020
B = 79220021
C = 79220022
D = 79220030
E = 79220024
F = 79220036

900.02231	1	
178.70553	1	
178.95157	1	
183.80647	2	
302.99.265	2	10.9-M12x65
302.96.240	2	K100-M12x40
305.96.250	2	K100-M12x50
305.96.200	2	B/M12
305.97.100	2	B/M10
305.96.012	4	K10/M12
417.02.899	4	M8x1.25
900.70552	1	
978.71180	2	

Serial number 2113

BUILDING BLOCK 90002231



- 900.15671 B
- 900.20041 B
- 314.96.500 B
- 305.96.500 B

SU

Destination of
order number
must be completed
Bestellnummer



- A=79220015
- B=79220016
- C=79220018
- E=79220019

900.02231	1	
178.70260	1	B-B-M5x25
302.97.625	3	B-B-M10x20
302.98.120	0	B-B-M6x25
302.98.625	1	B-B-M8x35
302.98.835	2	B/M10
305.96.100	2	B/M5
305.96.500	3	B/M6
305.97.600	1	B/M6
305.97.800	2	A 6,1
314.96.500	3	10,5
314.97.100	4	
900.15671	1	
900.20041	1	
900.70437	1	