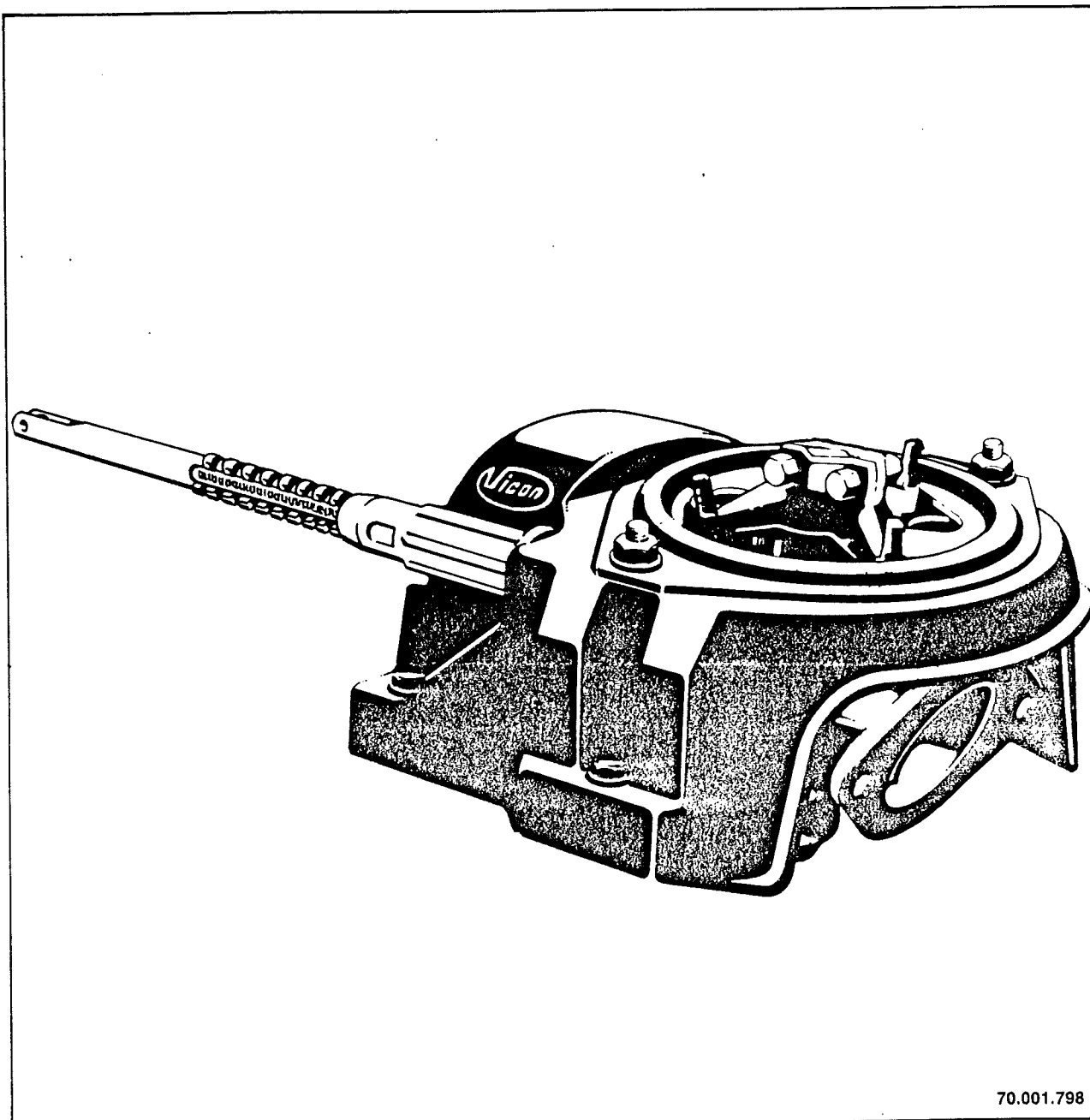




spare parts list
vari-spreader
spreading unit

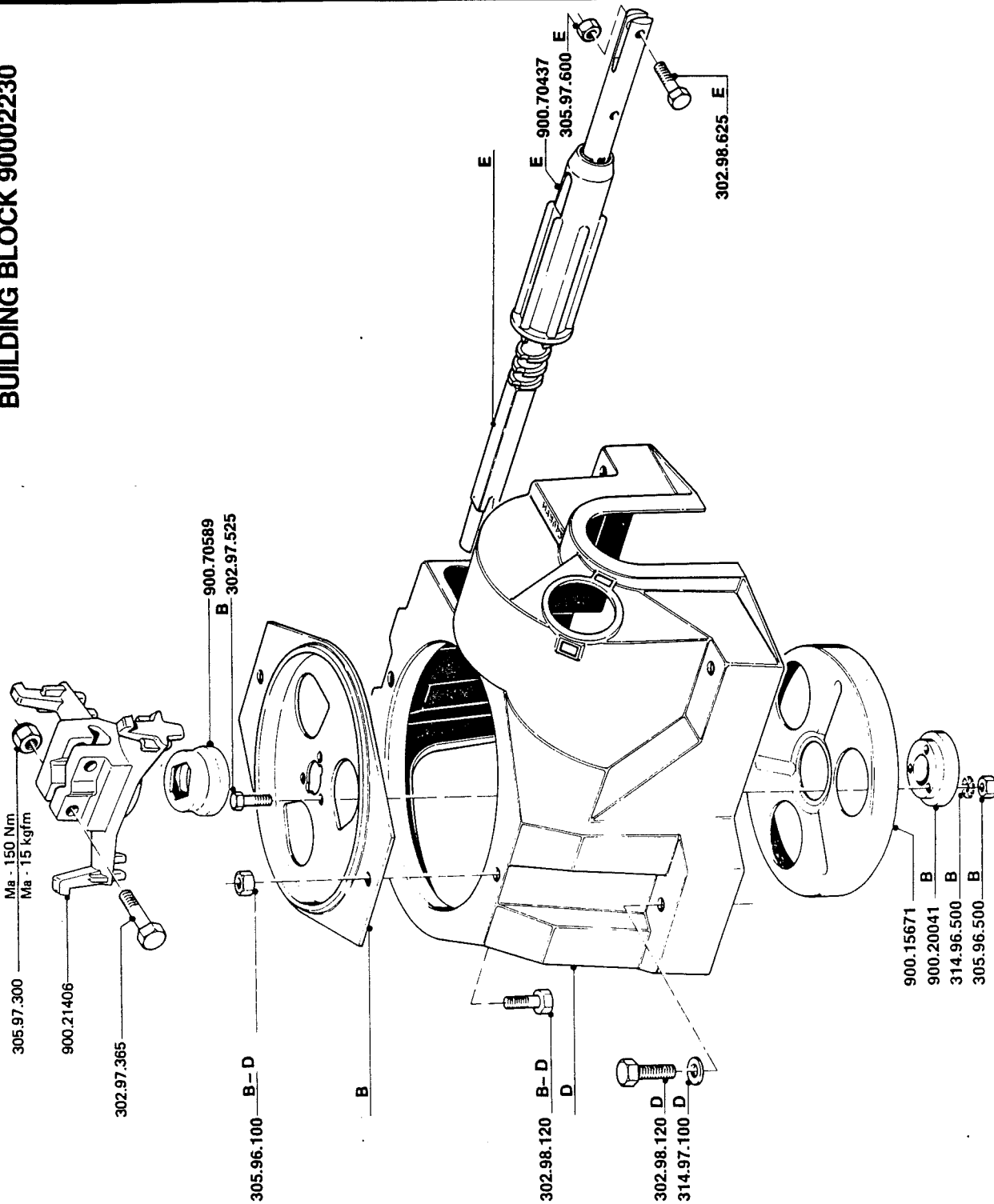
serie 22112



serial number 22112

F4

BUILDING BLOCK 90002230



SU



bestelnummer
ordernummer
num. a commander
Bestellnummer

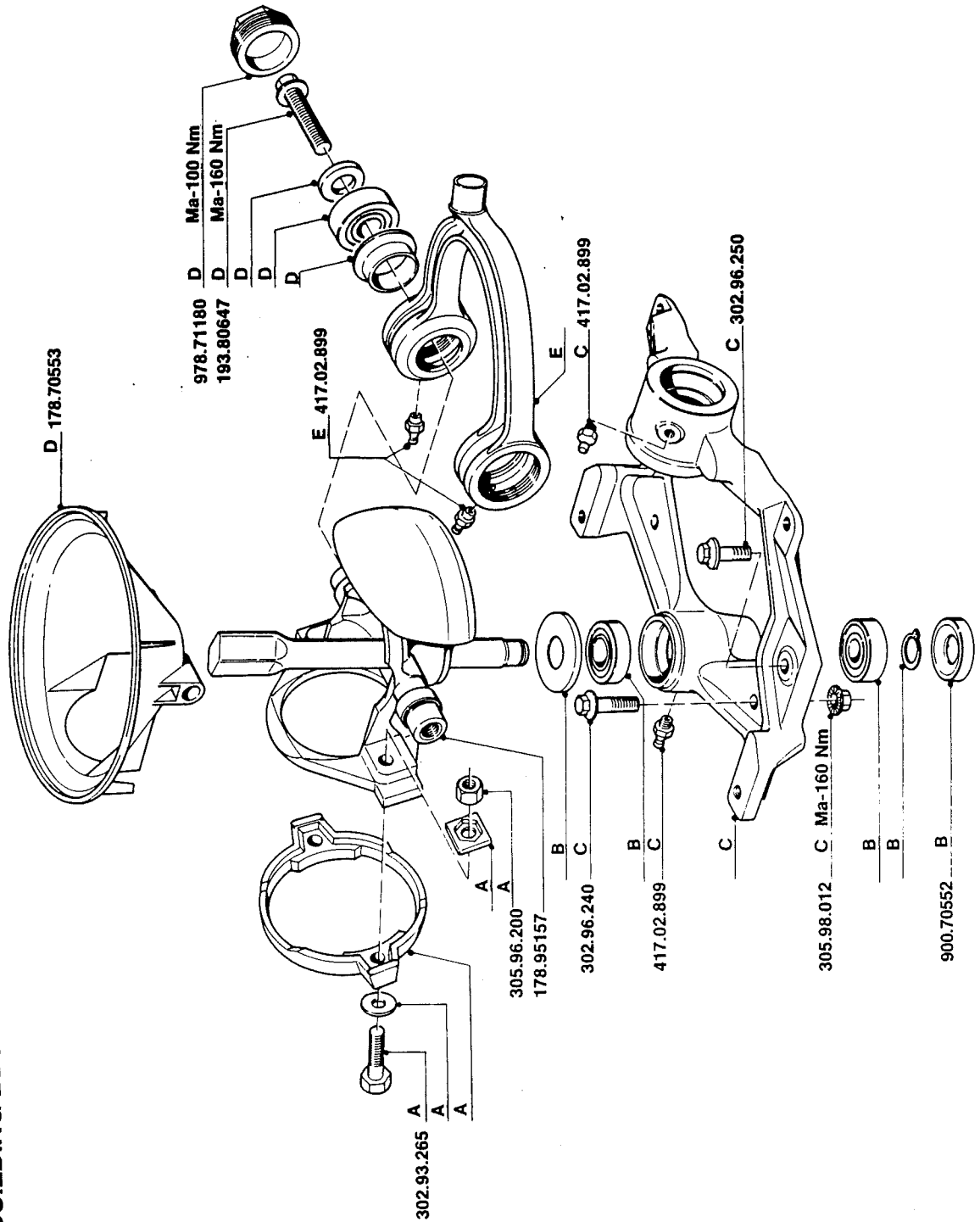
B=79220016
D=79220018
E=79220019

900.02230	1	
302.97.365	2	8.8-M14x65
302.97.525	3	8.8-M5x25
302.98.120	6	8.8-M10x20
302.98.625	1	8.8-M6x25
305.96.100	2	8/M10
305.96.500	3	8/M5
305.97.300	2	8/M14
305.97.600	1	8/M6
314.96.500	3	A 5,1
314.97.100	4	10,5
900.15671	1	
900.20041	1	
900.21406	1	
900.70437	1	
900.70589	1	

serial number 22112

BUILDING BLOCK 90002230

F5



SU

bestelnummer
ordernumber
num. à commander
Bestellnummer

- A = 79220020
- B = 79220021
- C = 79220022
- D = 79220030
- E = 79220024

900.02230	1	
178.70553	1	
178.95157	1	
193.80647	2	
302.93.265	2	10.9-M12x65
302.96.240	2	K100-M12x40
302.96.250	2	K100-M12x50
305.96.200	2	8/M12
305.98.012	4	K10/M12
417.02.899	4	M8x1,25
900.70552	1	
978.71180	2	

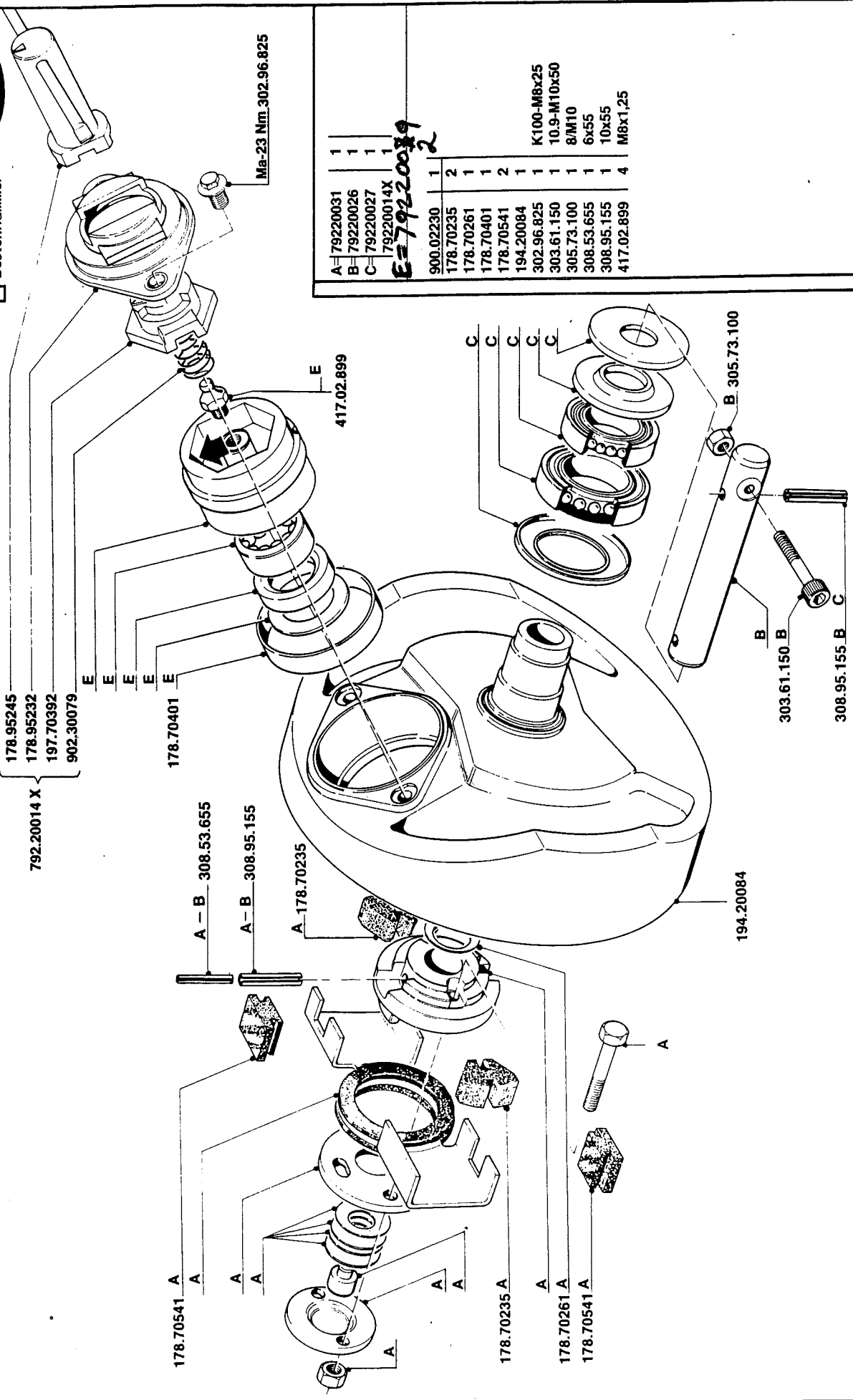
serial number 22112

F6

BUILDING BLOCK 90002230

SU


bestelnummer
ordernumber
num. à commander
Bestellnummer



A=	79220031	1
B=	79220026	1
C=	79220027	1
	79220014X	1
E=	79220039	2
	900.02230	1
	178.70235	2
	178.70261	1
	178.70401	1
	178.70541	2
	194.20084	1
	302.96.825	1
	303.61.150	1
	305.73.100	1
	308.53.655	1
	308.95.155	1
	417.02.899	4

K100-M8x25
10.9-M10x50
8/M10
6x55
10x55
M8x1,25