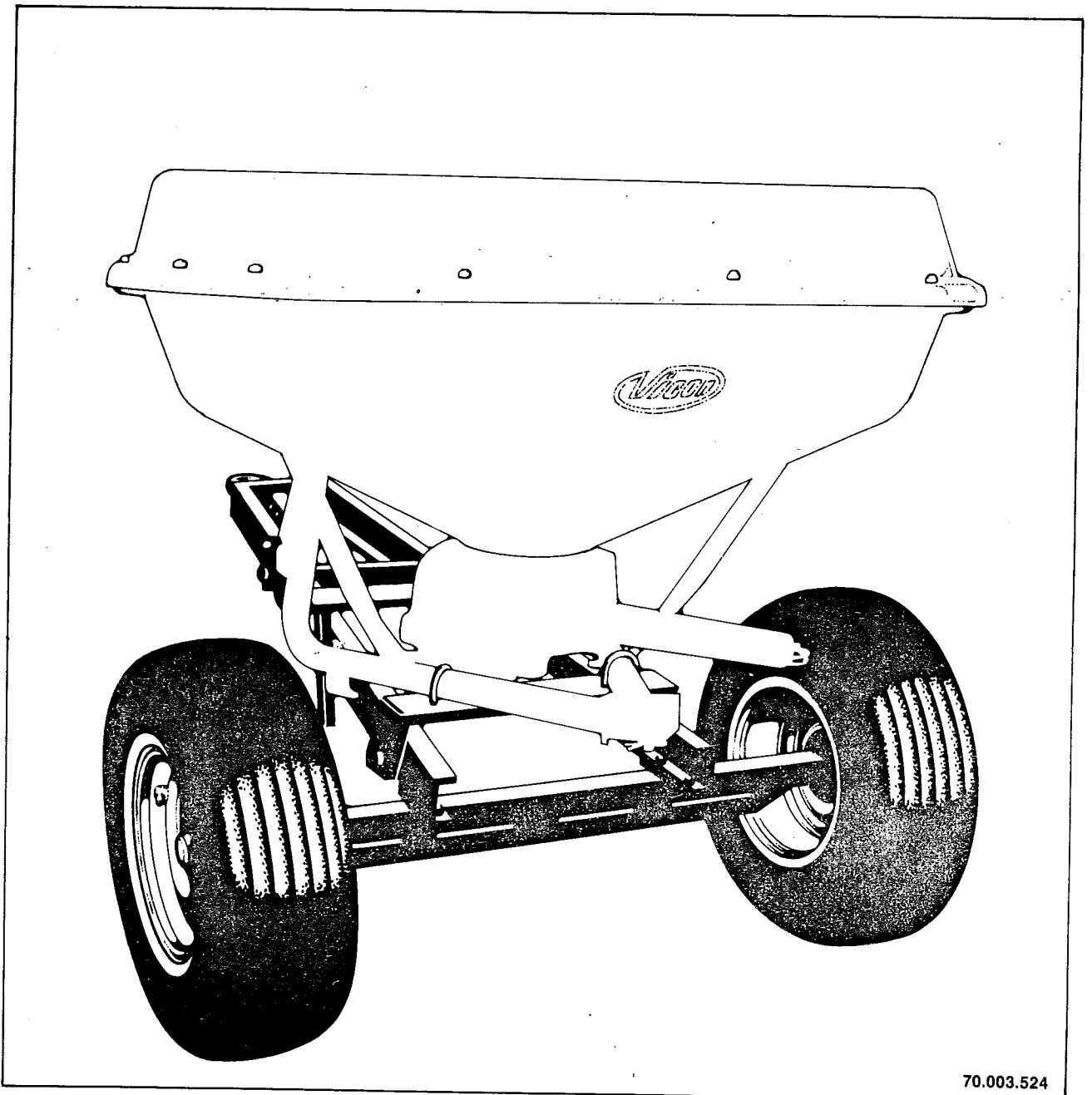
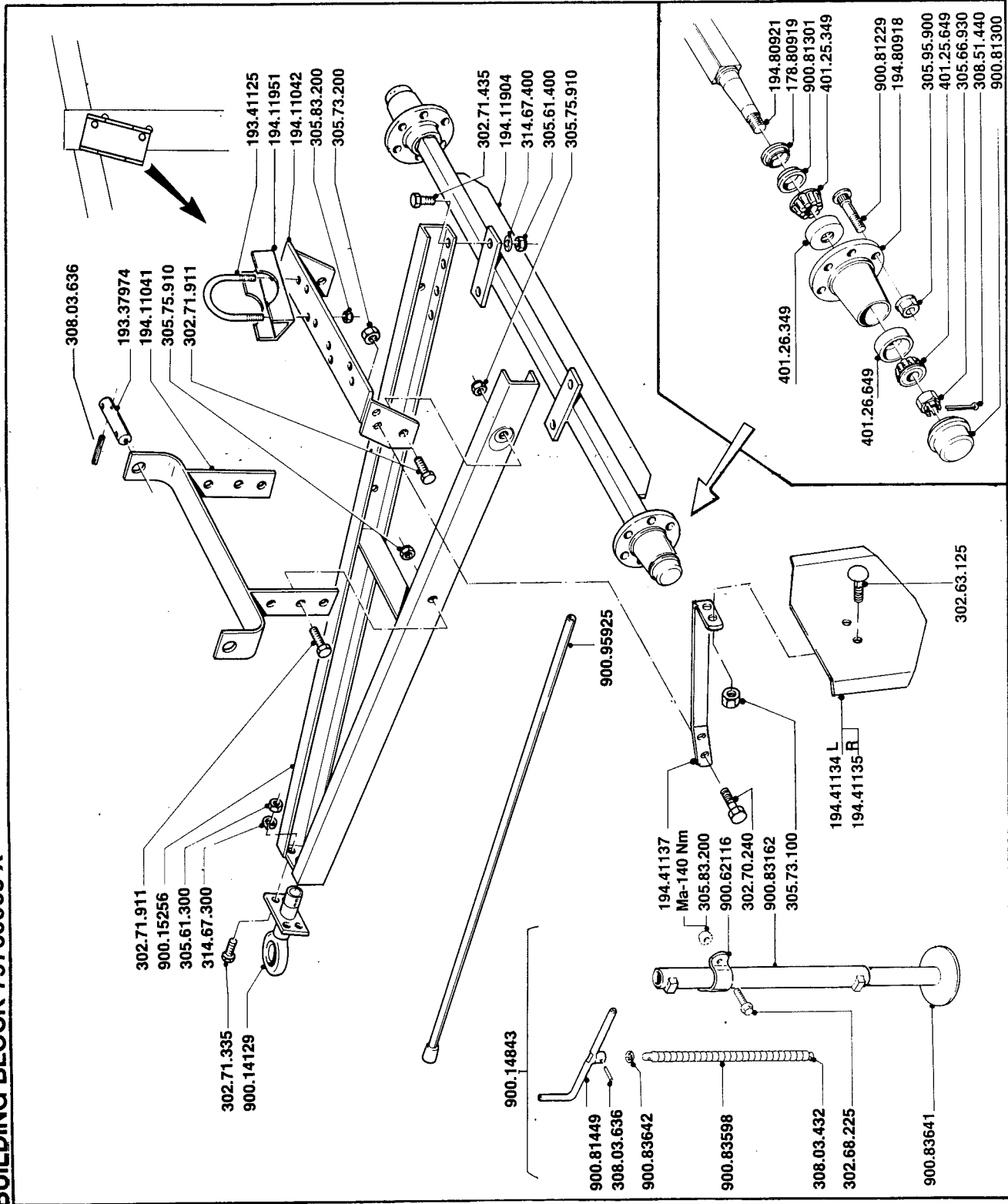




spare parts list
onderdelenlijst
pièces détachées
ersatzteilliste

PS 1003T/1153T/1353T/1653T





797.60063X		
178.80919		
193.37974		
193.41125		
194.11041		
194.11042		
194.11904		
194.11951		
194.41134		
194.41135		
194.41137		
194.80918		
194.80921		
302.63.125		4.6-M10x25
302.70.240		8.8-M12x40
302.71.335		8.8-M14x35
302.71.435		8.8-M16x35
302.71.911		8.8-M20x45
305.61.300		8/M14
305.61.400		8/M16
305.66.930		M24x1,5
305.73.100		8/M10
305.73.200		8/M12
305.75.910		8/M20
305.83.200		K10/M12
305.95.900		M18x1,5
308.03.636		6x36
308.51.440		4x40
314.67.300		A14
314.67.400		A16
401.25.349		LM 501349
401.25.649		L 44649
401.26.349		LM 501310
401.26.649		L 44610
900.14129		
900.15256		
900.81229		
900.81300		
900.81301		
900.95925		
900.14843		K100-M12x25
302.68.225		K10/M12
305.83.200		4x32
308.03.432		6x36
308.03.636		
900.62116		
900.81449		
900.83162		
900.83598		
900.83641		
900.83642		

BUILDING BLOCK 79760062 X

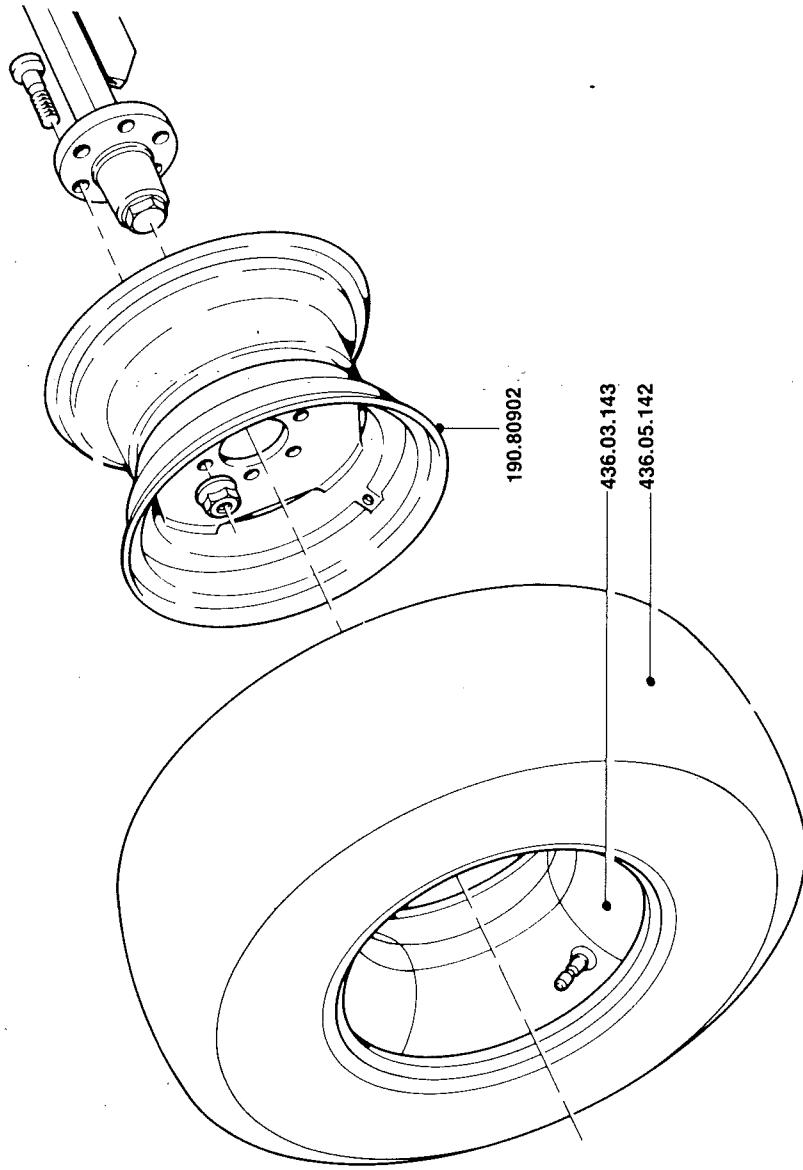
G12

PS 03



bestelnummer
ordernumber
num. à commander
Bestelnummer

797.60062X	2	11,5/80x15,3AW-8PR-6
190.80902	2	9.00x15,3
436.03.143	2	11,5x15
436.05.142	2	11,5/80x15,3 AW-8PR



Vicon	Walterscheid
1 461.20.063	W2100-SD05-1310
2 461.16.163	WH2100-SD05-1256
3 461.15.163	WH2100-SD05-1241
4 463.12.082	85.005-1165
5 463.11.059	85.004-1160
11 462.21.110	10.10.00
12 462.21.001	Agraset 101
13 462.21.433	10.22.284
21 462.22.100	10.01.00
22 417.02.845	63.27.00
23 462.23.221	10.48.00
24 308.03.850	DIN 1481-8x50
25 462.24.125	05.09.74-1220
26 462.24.326	05.00.63-1205
27 462.23.121	10.49.00
51 462.92.900	85.05.06
52 303.93.410	4.8-M4x10
53 462.92.804	83.10.03
54 462.92.646	83.09.01
55 462.22.301	82.36.03

