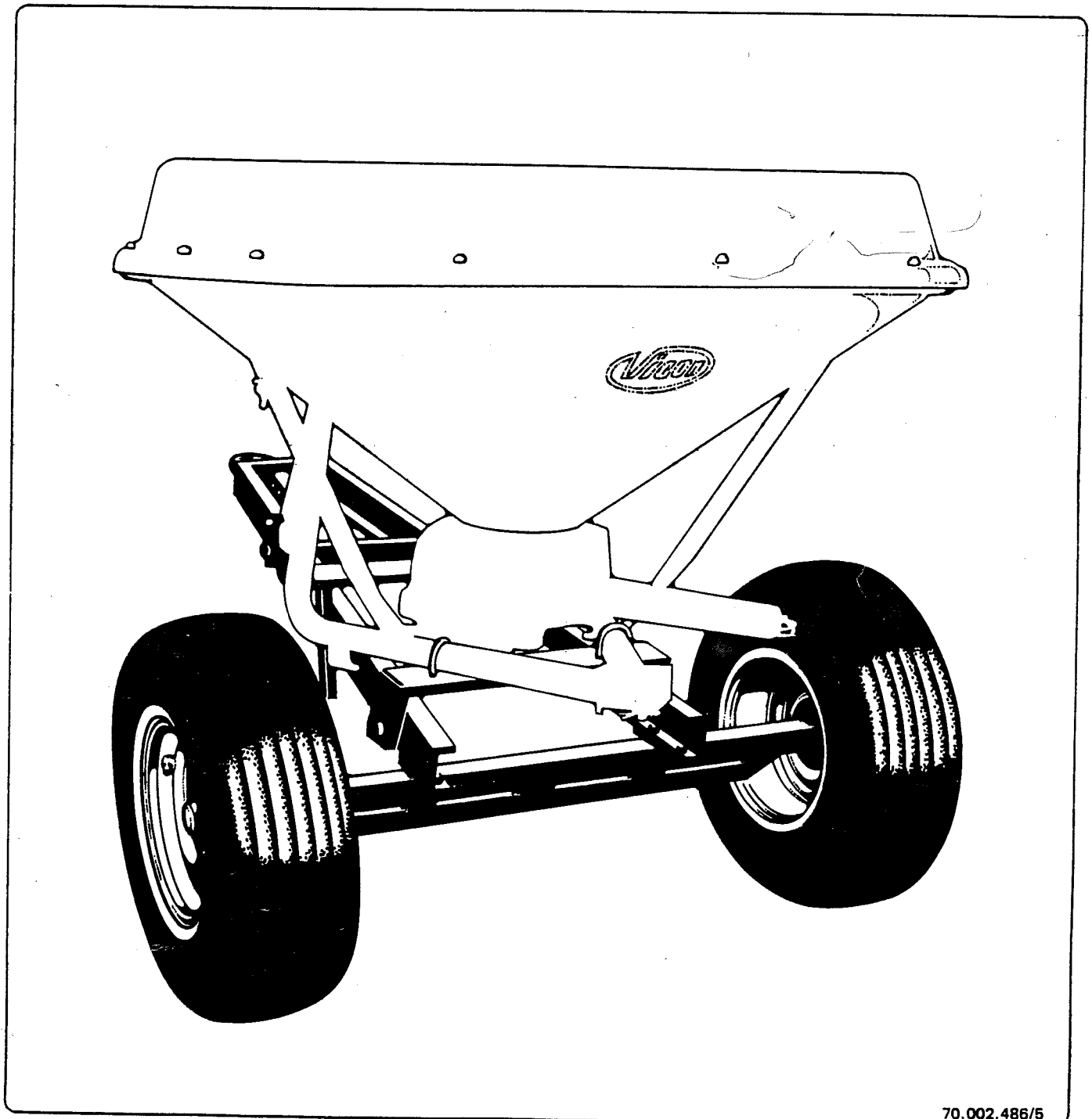




**spareparts list
trailer**

**mòdele trainé
fahrgestell
wielstel**

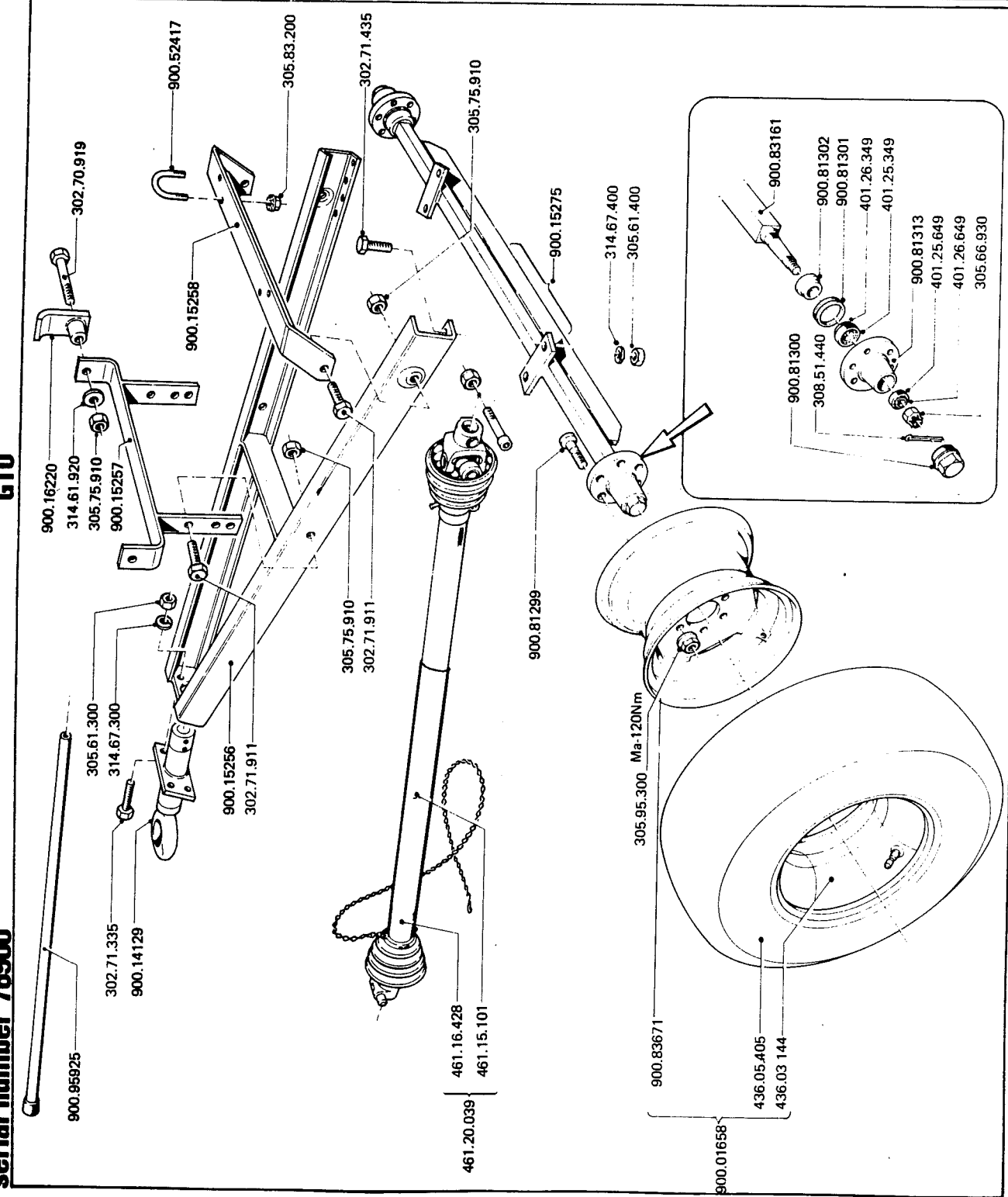
PS 1002T/PS 1502Tserie 76900





serial number 76900

G10



PS 1002T

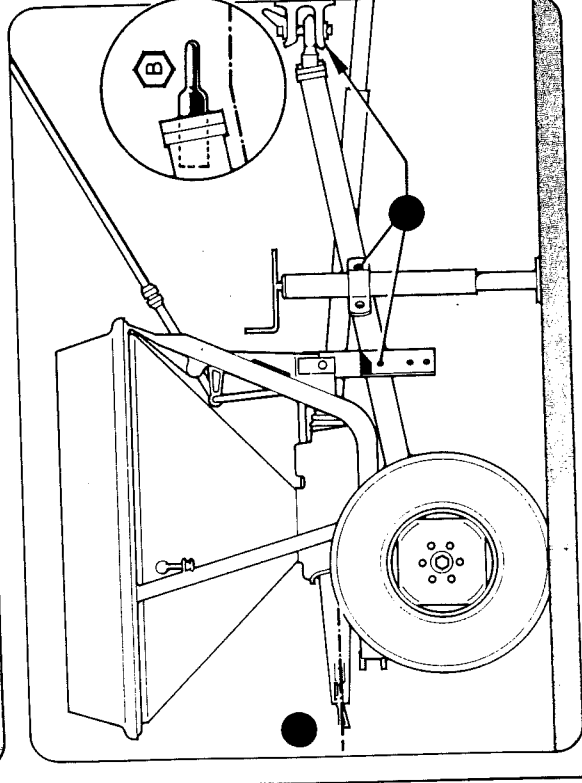
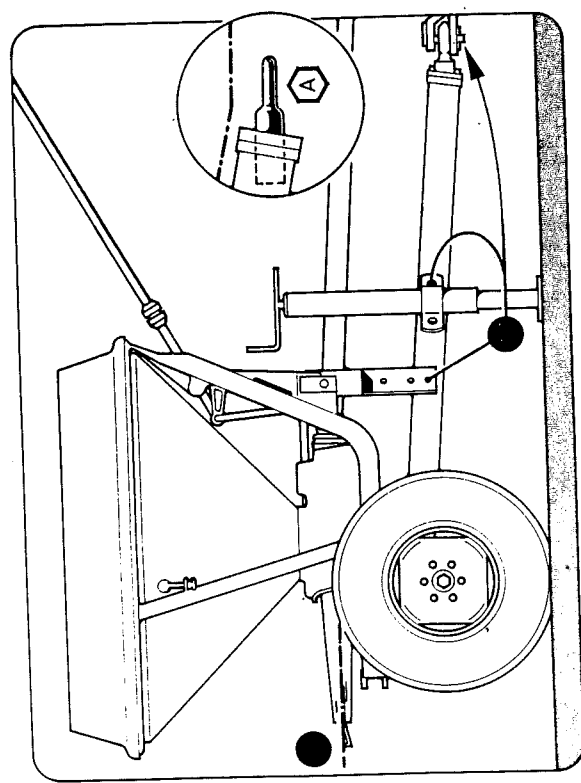
bestelnummer
order number
num. à commander
Bestellnummer

900.14129	1	
900.15256	1	
900.15257	1	
900.15258	1	
900.15275	1	
900.16220	2	
900.52417	2	
900.81299	10	
900.81300	2	
900.81301	2	
900.81302	2	
900.81313	2	
900.83161	1	
900.95925	1	8.8-M20x80
302.70.919	2	8.8-M14x35
302.71.335	4	8.8-M16x35
302.71.435	4	8.8-M20x45
302.71.911	4	8/M14
305.61.300	4	8/M16
305.61.400	4	M24x1,5
305.66.930	2	8/M20
305.75.910	6	K10/M12
305.83.200	4	M14x1,5
305.95.300	10	4x40
308.51.440	2	23
314.61.920	2	A14
314.67.300	4	A16
314.67.400	4	LM501349
401.25.349	2	L44649
401.25.649	2	LM501310
401.26.349	2	L44610
401.26.649	2	A30x30-1240
461.15.101	1	A1 3/8x23,5-1255
461.16.428	1	A30x1 3/8-1310
461.20.039	1	10.0/75x15,3 SR-6PR
900.01658	2	
900.83671	2	
436.03.144	2	10.0x15
436.05.405	2	10.0/75x15,3 SR-6PR

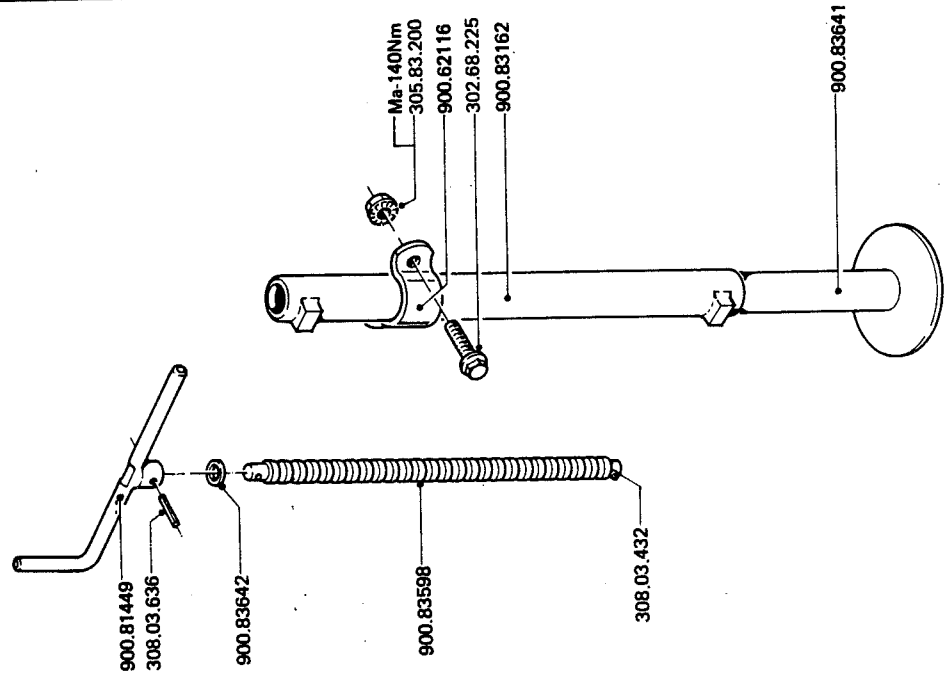
bestellnummer
 order number
 num. à commander
 Bestellnummer

900.14843	1
900.62116	1
900.81449	1
900.83162	1
900.83598	1
900.83641	1
900.83642	1
302.68.225	2
305.83.200	2
308.03.432	1
308.03.636	1

K100-M12x25
 K10/M12
 4x32
 6x36



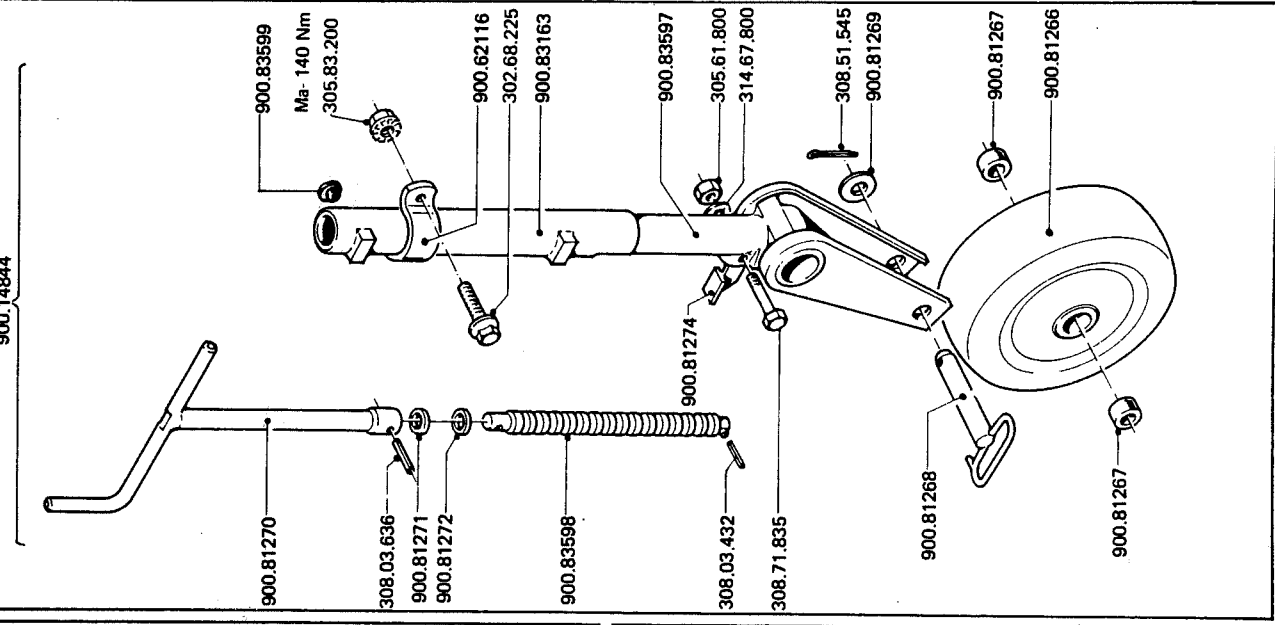
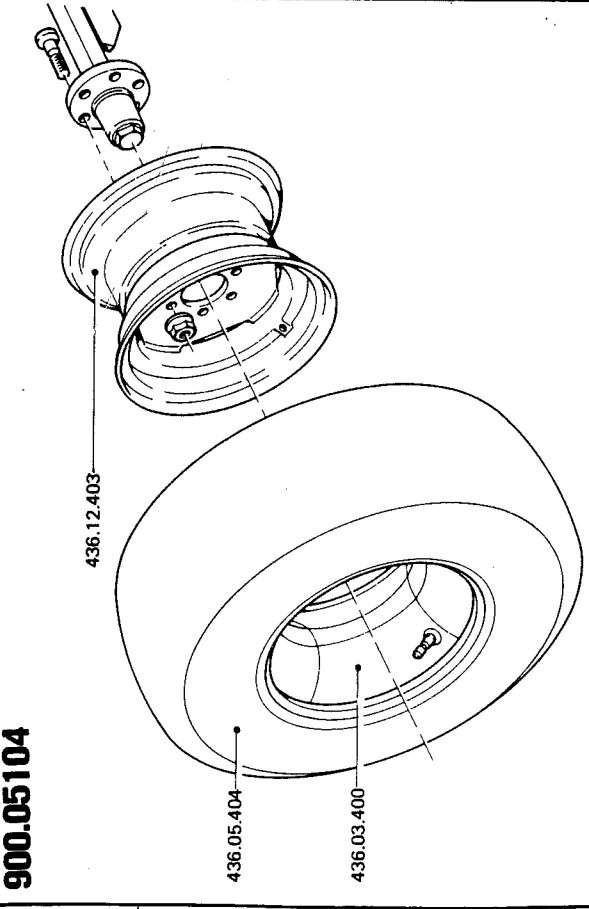
900.14843



serial number 76900
900.05104

G12

PS 1002T

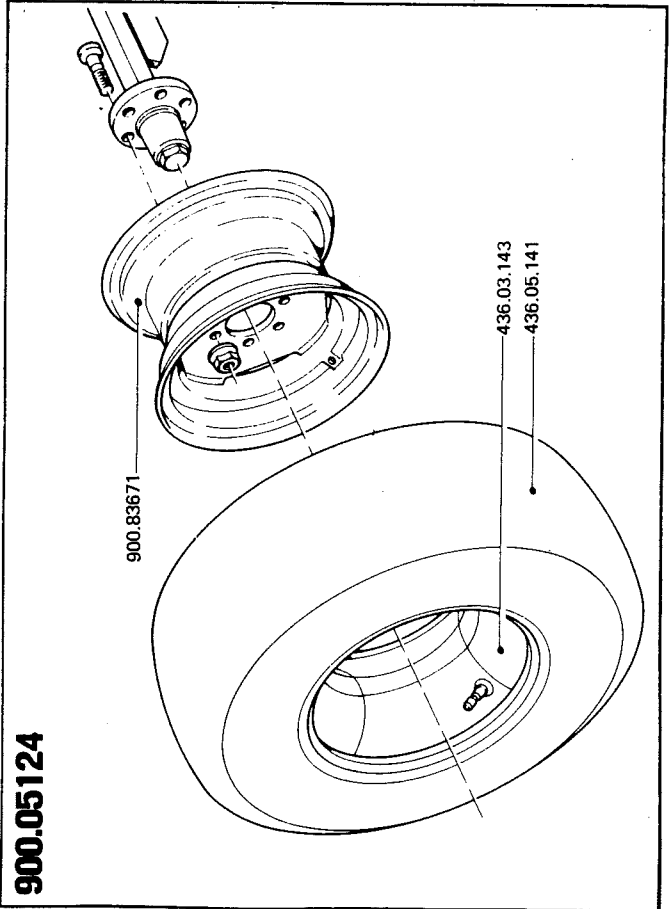


bestelnummer ordernumber num. à commander	Bestelnummer		
900.14844	1		
900.62116	1		
900.81266	1		
900.81267	2		
900.81268	1		
900.81269	1		
900.81270	1		
900.81271	1		
900.81272	1		
900.81274	1		
900.83163	1		
900.83597	1		
900.83598	1		
900.83599	1		
302.68.225	2	K100-M12x25	
302.71.835	1	8.8-M8x35	
305.61.800	1	8/M8	
305.83.200	2	K10/M12	
308.03.432	1	4x32	
308.03.636	1	6x36	
308.51.545	1	5x45	
314.67.800	1	A8	

900.05104	2	10.0/80x12SR-4PR
436.03.400	2	10.0x12
436.05.404	2	10.0/80-12SR-4PR
436.12.403	2	7.00x12

900.05124	2	11.5x15SR-8PR
900.83671	2	
436.03.143	2	11.5x15
436.05.141	2	11.5/80-15SR-8PR

900.05124



serial number 76900

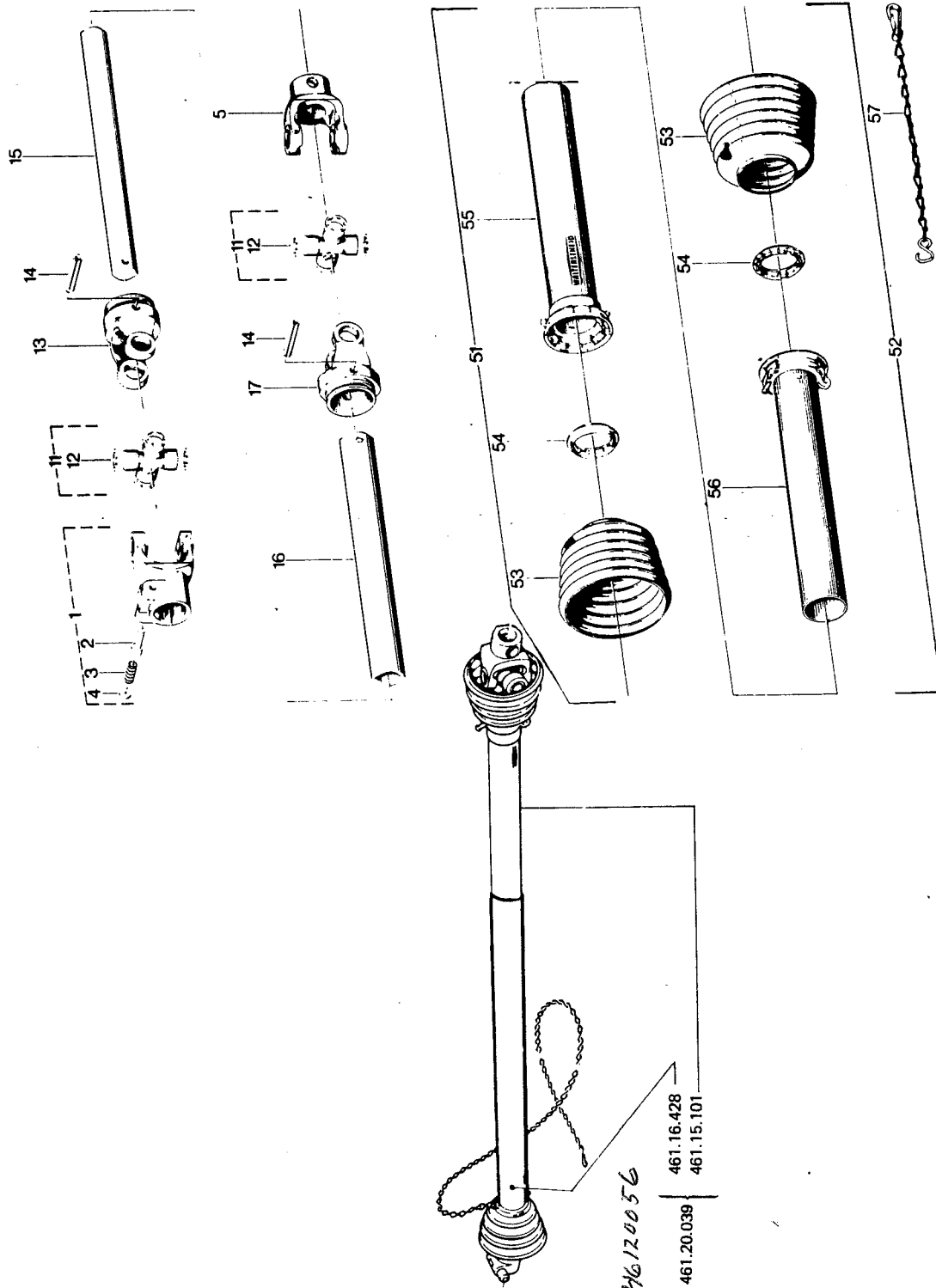
C7

PS 1002T

bestelnnummer
ordernummer
num. à commander
Bestellnummer

	Vicon	Walterscheid
	461.20.039	A30x1 3/8"-1310
	461.15.101	A30x30-1240
	461.16.428	A1 3/8"x23,5-1255
1	462.21.110	10.10.00
2	462.22.422	65.01.12
3	463.01.128	66.01.49
4	462.22.431	16.11.22
5	462.21.433	10.22.284
11	462.22.100	10.01.00
12	310.03.001	62.02.00
13	422.23.221	10.48.00
14	308.03.850	8x50
15	462.24.125	75.06.15-1220
16	462.24.326	75.12.15-1205
17	462.23.121	10.49.00
51	463.12.030	83.121-1300
52	463.11.030	83.120-1800
53	462.22.501	83.05.06
54	462.92.642	83.09.00
55	462.15.936	80.35.04-1165
56	462.15.634	80.34.04-1160
57	462.22.301	82.36.03

70.002.486-4



461.20.039
461.16.428
461.15.101

461.16.428
461.15.101