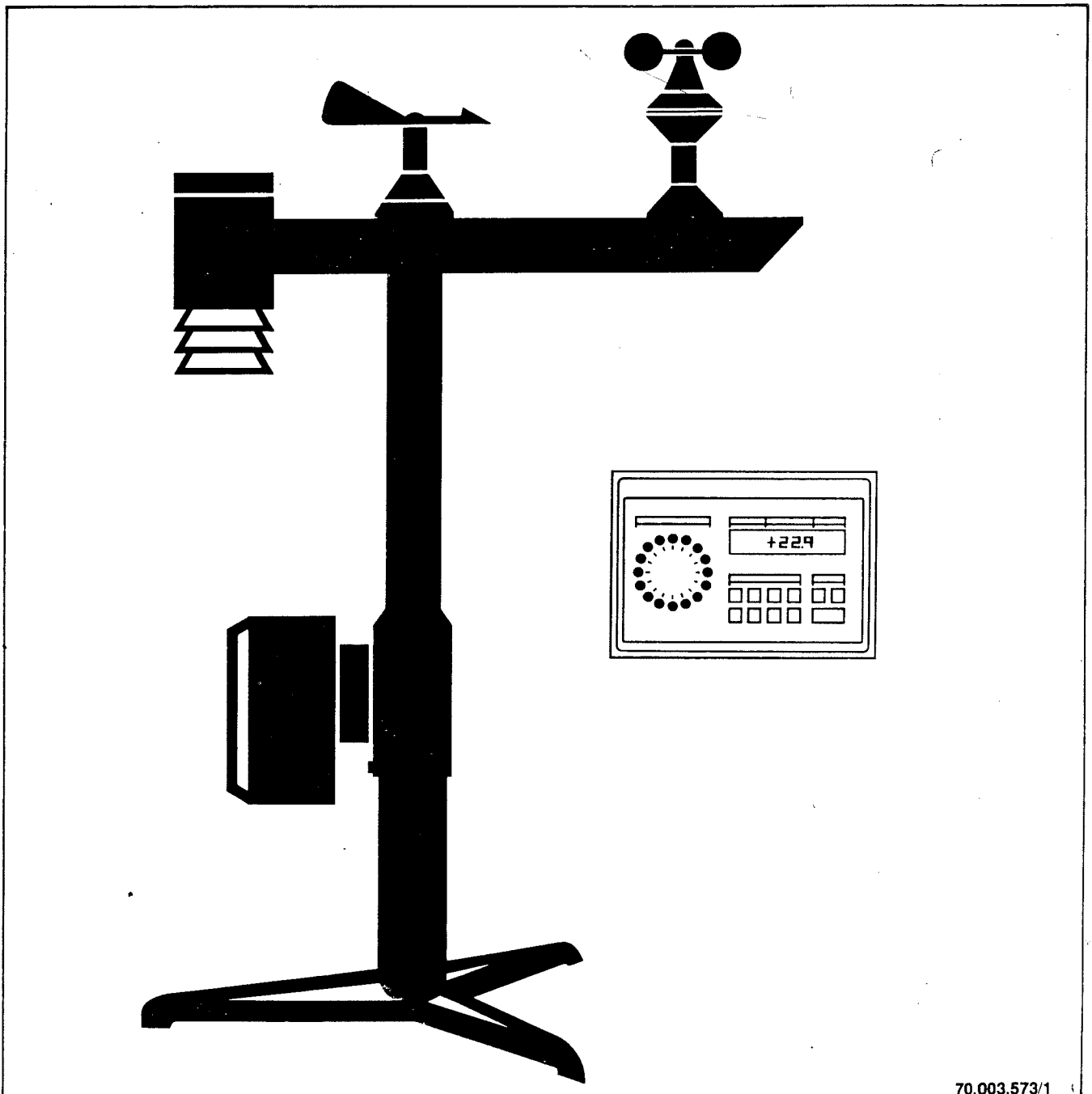




spare parts list  
onderdelenlijst  
pièces détachées  
ersatzteilliste

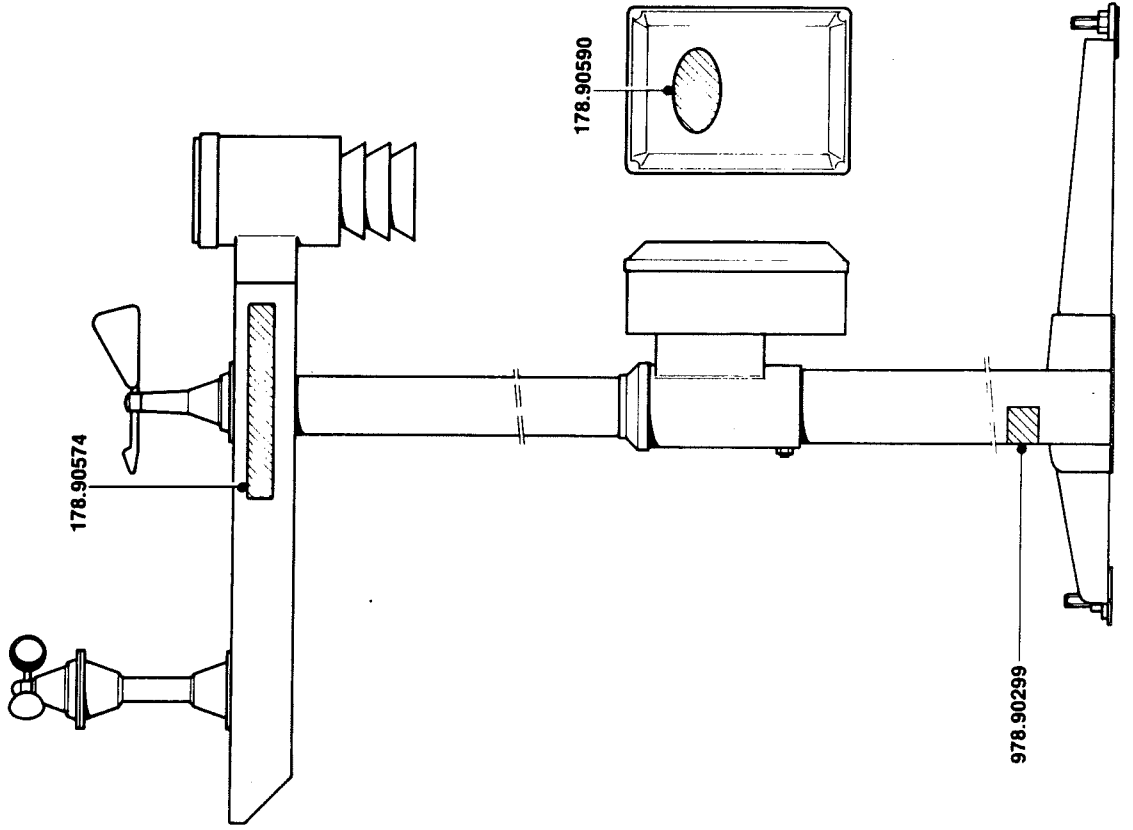
WS 801 serie 24503





serial number 24501-24502-24503

C1



WS

bestelnummer  
ordernummer  
num. à commander  
Bestellnummer

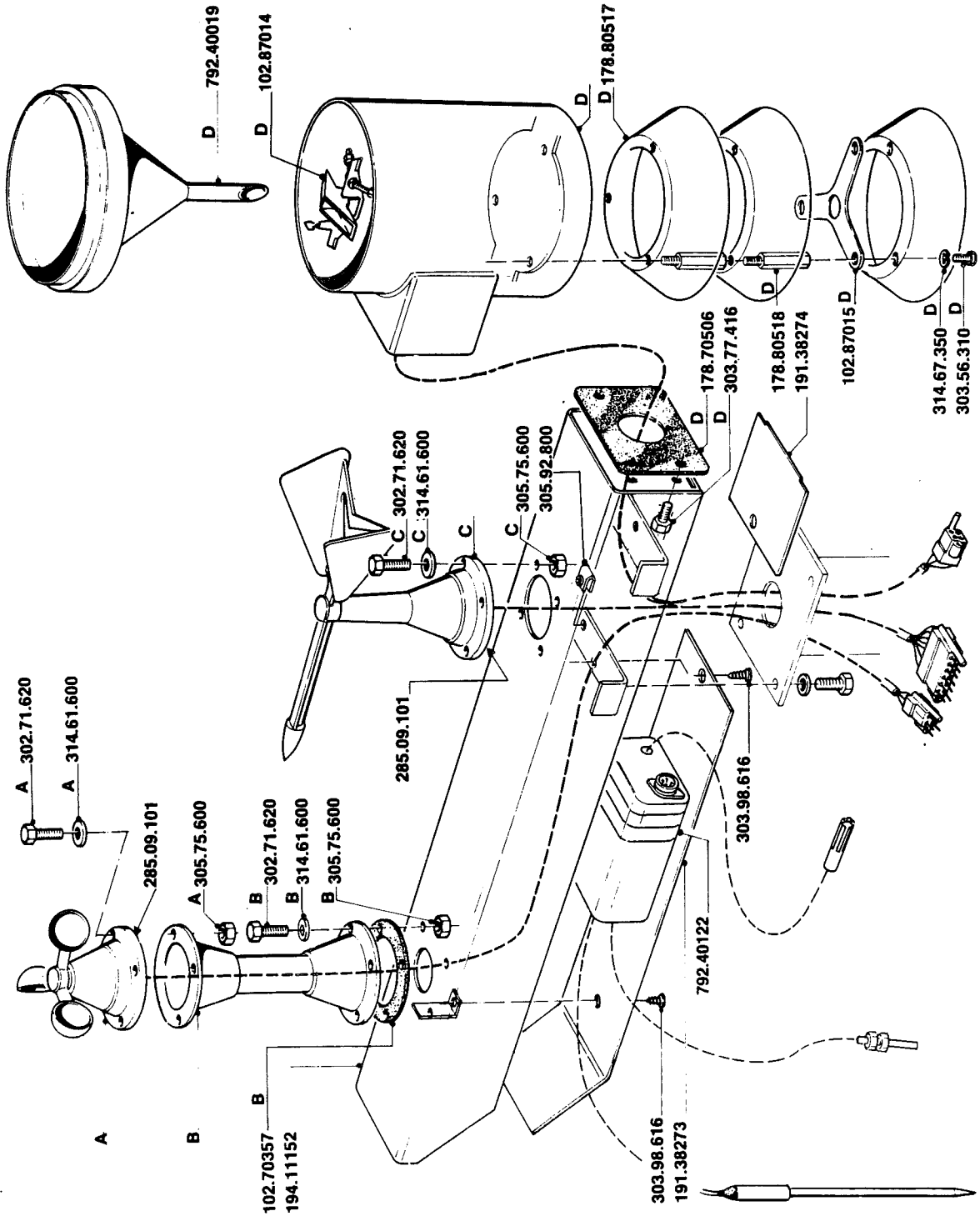
178.90574	2
178.90590	1
978.90299	1



serial number 24503

D10

792.40123 X



WS

bestelnummer  
ordernummer  
num. a commander  
Bestellnummer

792.40123X	1
102.70357	1
102.87014	1
102.87015	1
178.70506	1
178.80517	3
178.80518	6
178.80523	1
191.38273	1
191.38274	1
194.11152	1
285.09.101	1
302.71.620	16
303.56.310	3
303.77.416	4
303.98.616	3
305.75.600	12
305.92.800	4
314.61.600	12
314.67.350	3
792.40019	1
792.40122	1

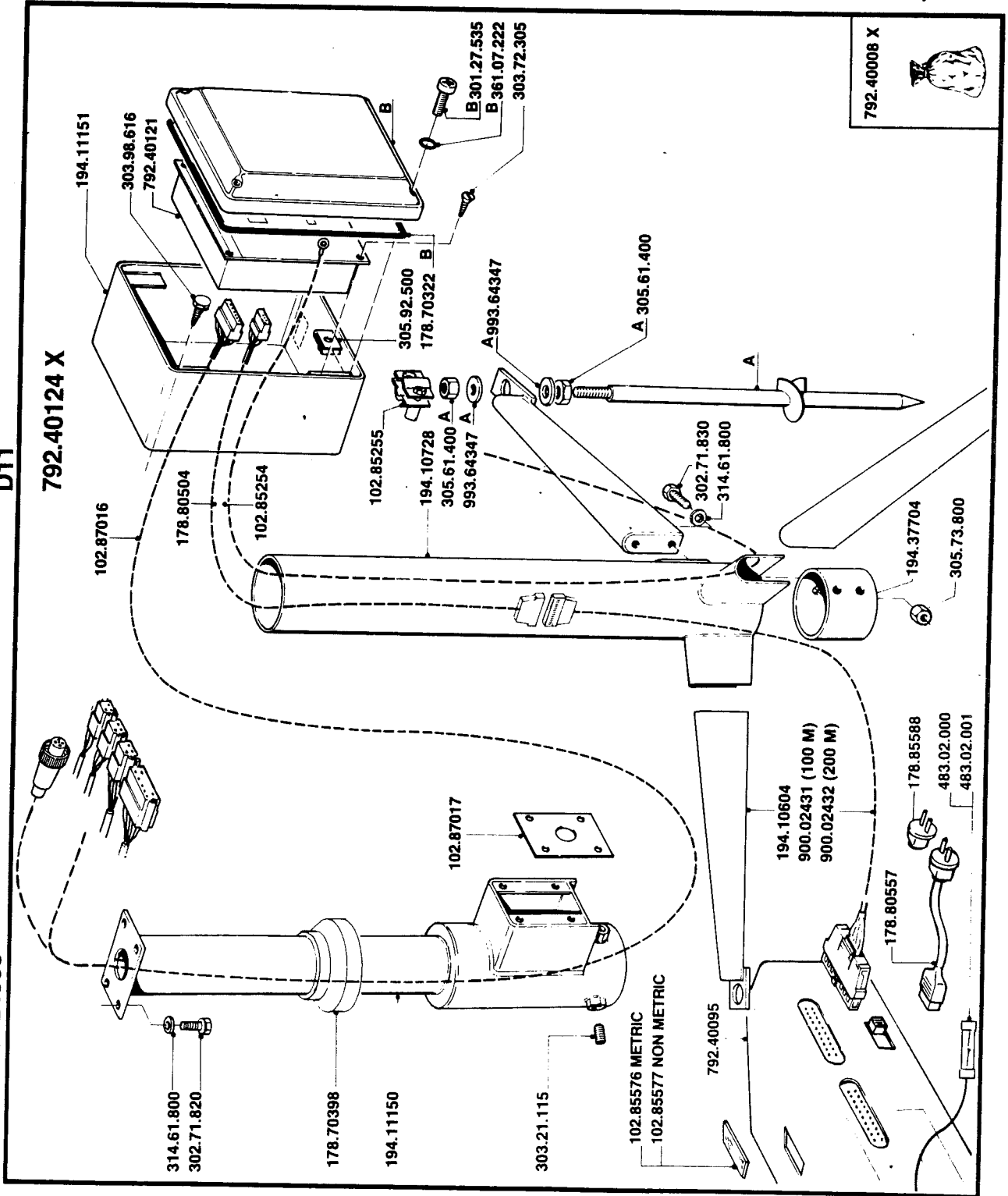
Silicone 4+4  
8.8-M6x20  
4.8-M3x10  
4.8-M4x16  
M6x16  
8/M8  
6.4  
A3

A= 792.40012  
B= 792.40013  
C= 792.40014  
D= 792.40126

serial number 24503

D11

792.40124 X



792.40008 X

WS

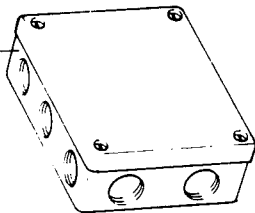
bestelnummer  
order number  
num. à commander  
Bestelnummer

792.40124X	1	
102.85254	1	
102.85255	1	METRIC
102.85576	1	NON METRIC
102.85577	1	
102.87016	1	
102.87017	1	
178.70322	1	
178.70398	1	
178.80504	1	
194.10604	3	
194.10728	1	
194.11150	1	
194.11151	1	
194.37704	1	
301.27.535	4	
303.72.305	4	8.8-M5x35 RVS
303.98.616	4	B 3,5x9,5
305.92.500	4	M6x16
361.07.222	4	M5
792.40095	4	4x2
483.02.000	1	0.5 AMP-220 V
483.02.001	1	1 AMP-110 V
792.40121	1	
792.40008X	1	
302.71.820	4	8.8-M6x20
302.71.830	6	8.8-M6x30
303.21.115	3	14.9-M10x16
305.61.400	6	8/M16
305.73.800	6	8/MB
314.61.800	10	8,4
993.64347	6	
178.80557	1	220 V
178.85588	1	GB
900.02431	1	100 M
900.02432	1	200 M

A = 792.40016  
B = 792.40017

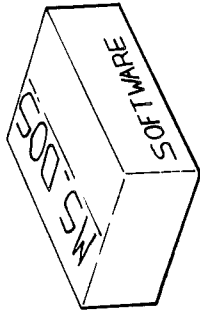
serial number 24503

EXTRA 900.02433



D12

EXTRA 792.40078



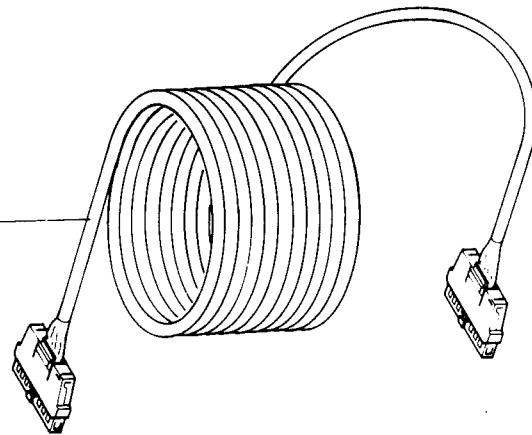
WS

bestelnnummer  
ordernummer  
num a commander  
Bestellnummer

792.40078 | 1 |  
900.02433 | 1 |

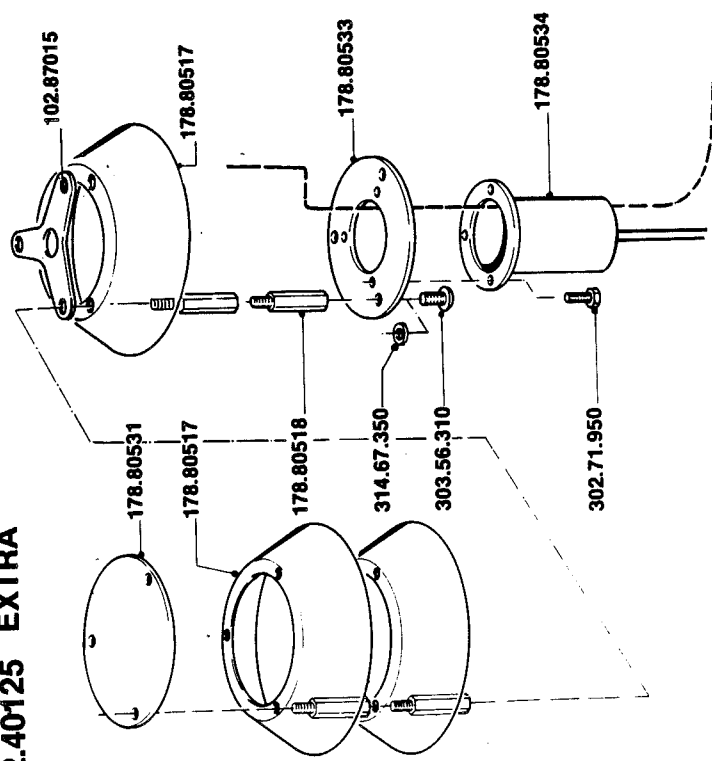


900.02432  
EXTRA



200 m.

792.40125 EXTRA



900.02432 1 200 M

792.40125	1	
102.87015	1	
178.80517	3	
178.80518	9	
178.80531	1	
178.80533	1	
178.80534	1	
302.71.950	3	8.8-M4x20
303.56.310	3	4.8-M3x10
305.61.350	3	8/M3
314.67.350	6	A3

70.003.573-4

PE02617