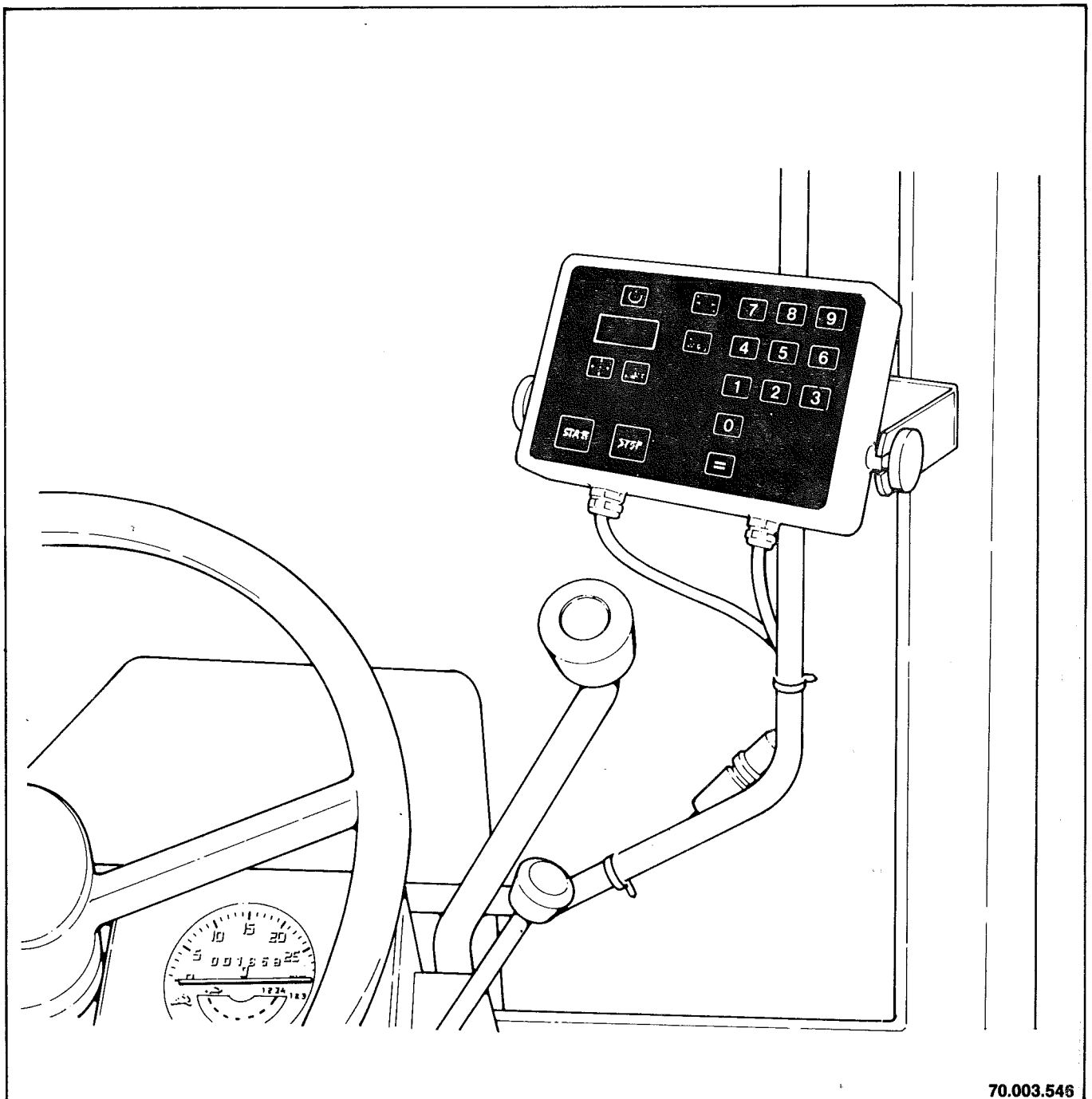




spare parts list

ED 820 serie 23009 (NON METRIC)



serial number 23009

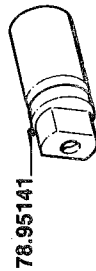
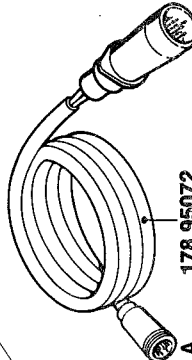
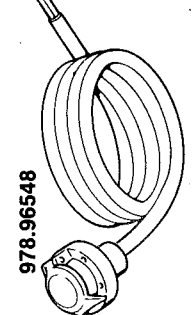
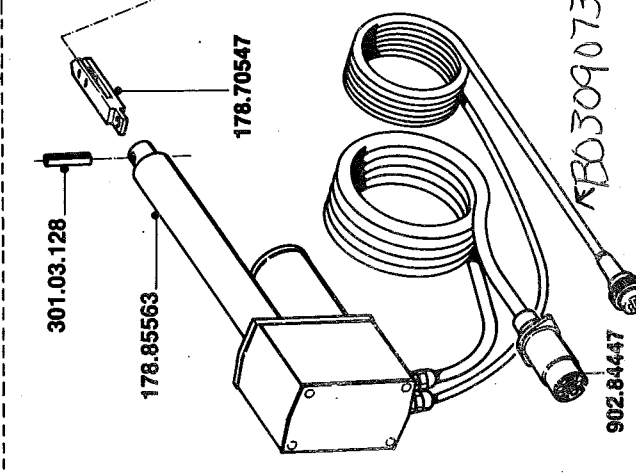
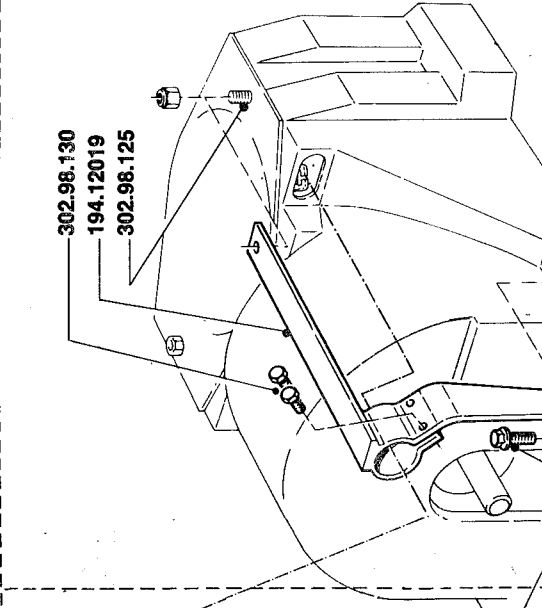
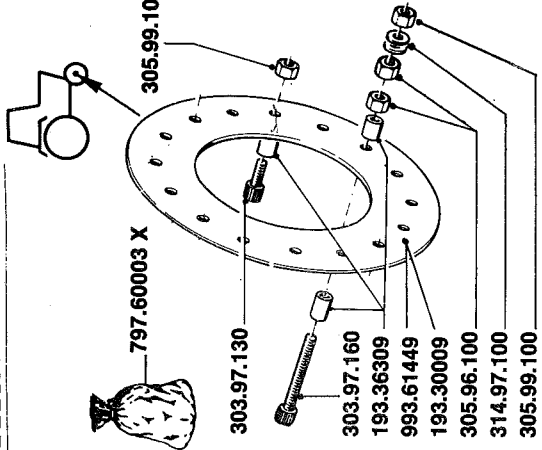
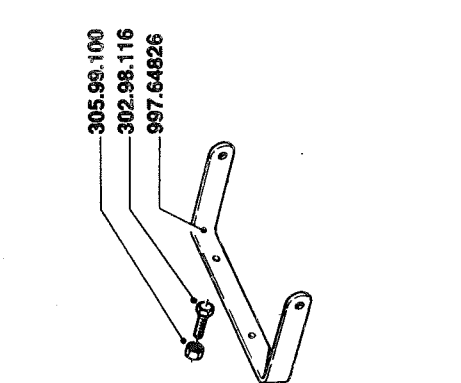
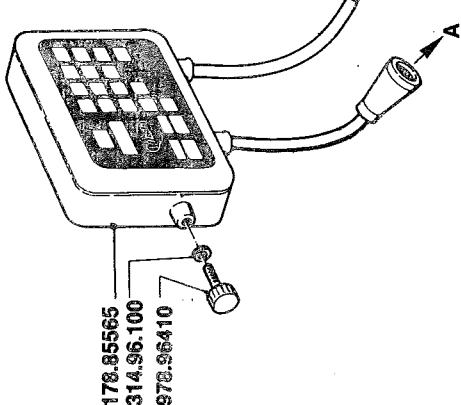
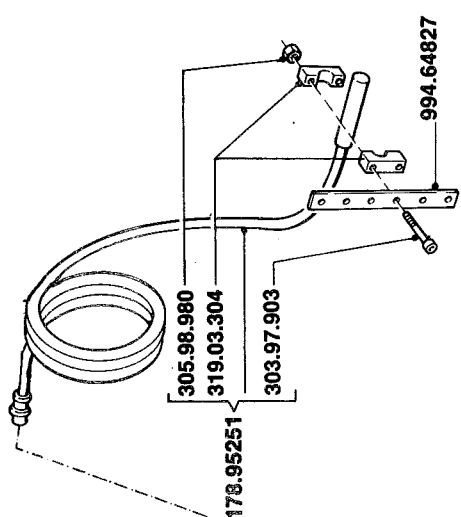
C12

BUILDING BLOCK 900.02315 X (NON METRIC)



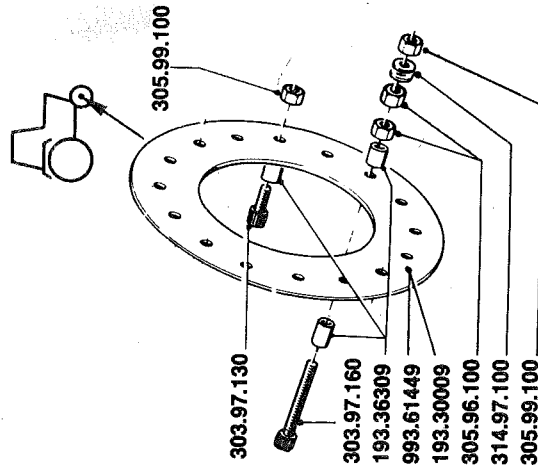
bestelnummer
ordernumber
num. à commander
Bestellnummer

900.02315X	1	
178.85565	1	
314.96.100	2	A 10,5
978.96410	2	
178.70127	1	
178.95072	1	
178.95141	1	
194.12019	1	
978.96548	1	
997.64826	1	
178.70547	1	
178.85563	1	
902.84447	1	
302.98.130	2	8.8-M10x30
303.57.420	4	5.8-M4x20
305.98.980	4	8/M4
301.03.128	1	10x28(RVS)
797.60004X	1	
302.98.116	2	8.8-M10x16
302.98.125	2	8.8-M10x25
305.99.100	2	10/M10
178.95251	1	
994.64827	1	
303.97.903	2	10.9-M4x35
305.98.980	2	8/M4
319.03.304	2	20
193.30009	1	Ø 350
993.61449	1	Ø 255
797.60003X	1	
193.36309	20	
303.97.130	12	10.9-M10x30
303.97.160	4	10.9-M10x60
305.96.100	8	8/M10
305.99.100	16	10/M10
314.97.100	8	10,5

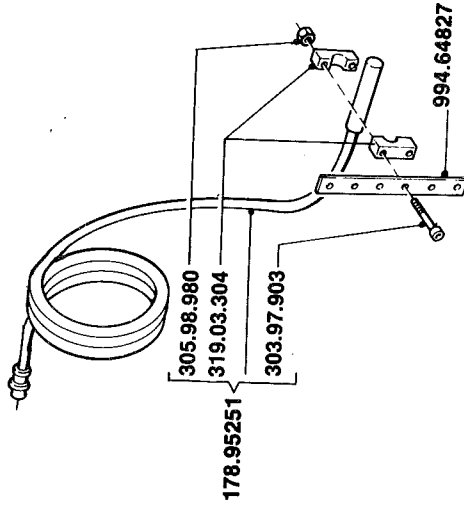


serial num 23009

EXTRA BUILDING BLOCK
797.60001 X (ø 350)
797.60002 X (ø 255)



EXTRA BUILDING BLOCK 178.95252 X =
1x 178.95251
1x 994.64827



ED 820

bestelnummer
ordernummer
num. à commander
Bestellnummer



EXTRA		
797.60001X	1	ø 350
193.30009	1	ø 350
193.36309	20	
303.97.130	12	10.9-M10x30
303.97.160	4	10.9-M10x60
305.96.100	8	8/M10
305.99.100	16	10/M10
314.97.100	8	10,5
797.60002X	1	ø 255
193.36309	20	
303.97.130	12	10.9-M10x30
303.97.160	4	10.9-M10x60
305.96.100	8	8/M10
305.99.100	16	10/M10
314.97.100	8	10,5
993.61449	1	ø 255

EXTRA		
178.95252X	1	
178.95251	1	
994.64827	1	
303.97.903	2	10.9-Max35
305.98.980	2	8/M4
319.03.304	2	20

