

PS 403/503

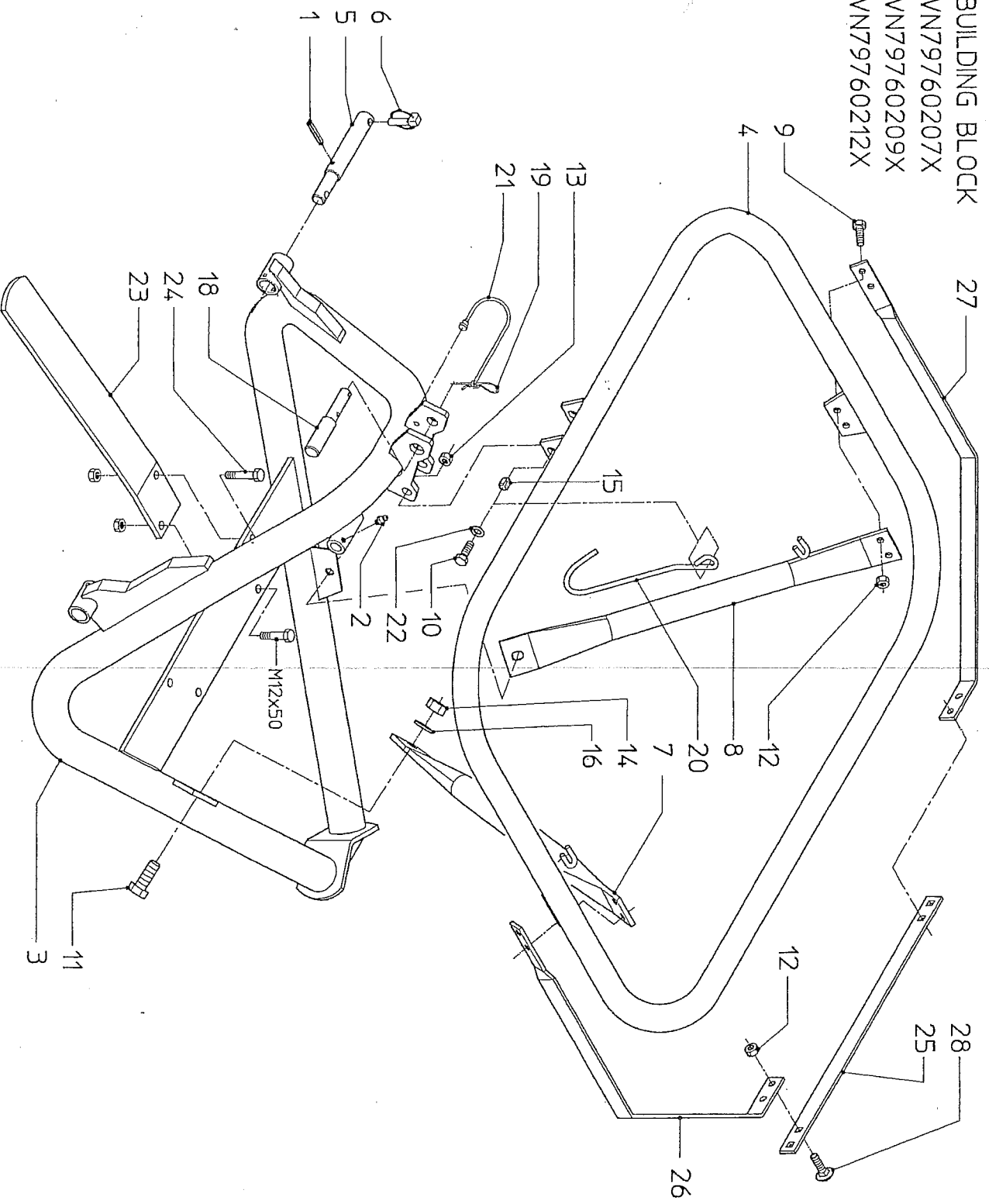
Spare parts manual

Article number: 70009064/13

Production year: 2005
Effective: 1001 2Mach ID
Prod. Series nr: 75406-13

serial number 75406

BUILDING BLOCK
 VN79760207X
 VN79760209X
 VN79760212X



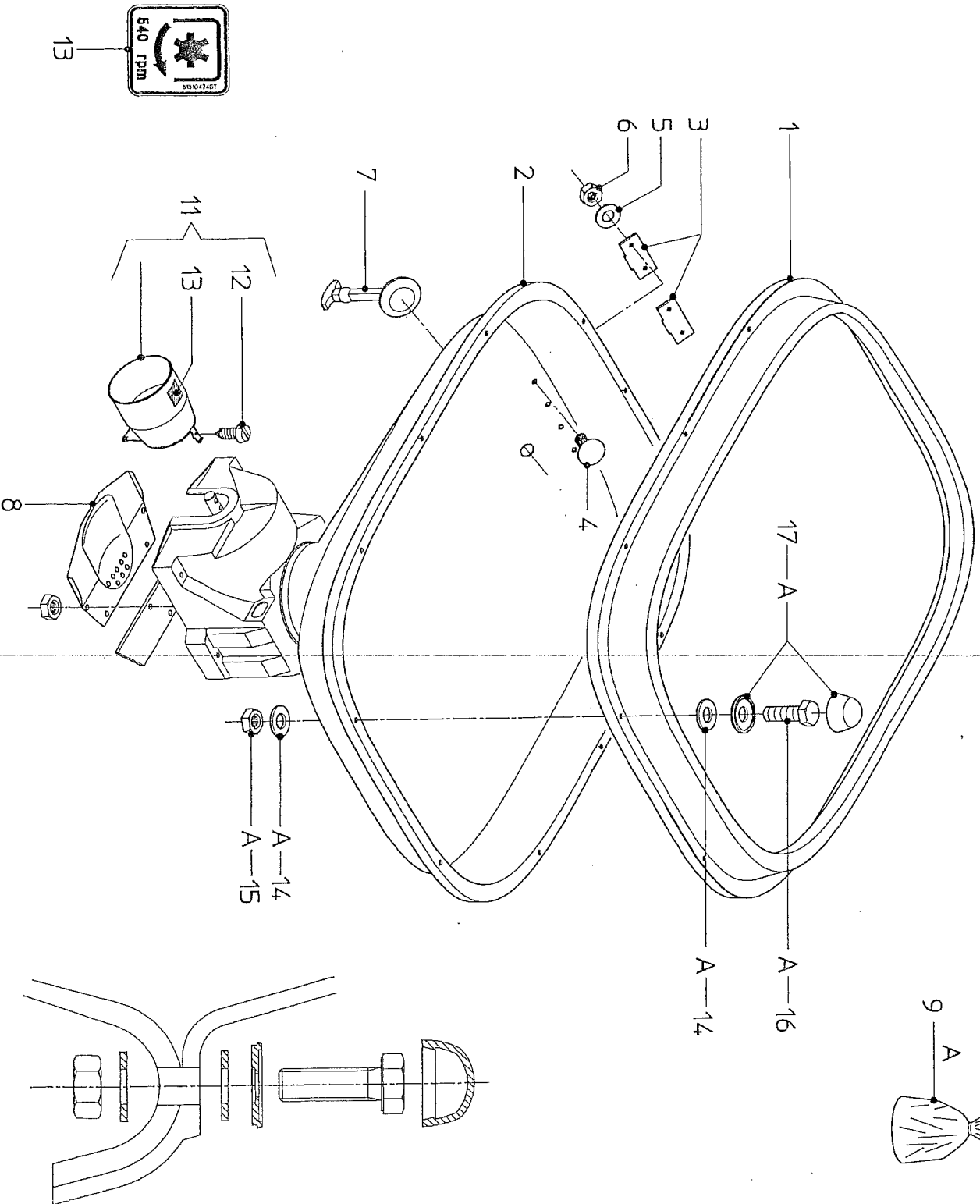
PS 403-5r (2)

bestellnummer
 ordernummer
 num. o commander
 Bestellnummer

| bestellnummer | ordernummer | num. o commander | Bestellnummer |
|---------------|--------------|------------------|---------------|
| VN79760207X1 | | | |
| 2 | VN41702899 | 1 | M8x1,25 |
| 3 | VNB1317494 | 1 | |
| 4 | VN79750008 | 1 | |
| 5 | VN90044272 | 2 | |
| 6 | VNB0765193 | 2 | |
| | VN79760209X1 | 1 | |
| 1 | KG01233462 | 2 | 6x36/CK67 |
| 7 | VN19411548 | 1 | L |
| 8 | VN19411549 | 1 | R |
| 9 | KG00496800 | 4 | M10x30/RVS |
| 10 | KG00501200 | 2 | M12x45/RVS |
| 11 | KG00503000 | 2 | M14x35/RVS |
| 12 | KG01070000 | 4 | M10/RVS/Nyloc |
| 13 | KG01070100 | 2 | M12/RVS/Nyloc |
| 14 | KG01070200 | 2 | M14/RVS/Nyloc |
| 15 | VN30854700 | 2 | 16x16 |
| 16 | KG01264200 | 2 | 15/RVS |
| 18 | VN90043838 | 1 | |
| 19 | VNB0765393 | 1 | |
| 20 | VNB1307394 | 1 | |
| 21 | VNB0870178 | 1 | |
| 22 | KG01264100 | 1 | 13/RVS |

| | | | |
|--------------|------------|---|---------------|
| VN79760212X1 | 1 | | |
| 9 | KG00498900 | 4 | M10x35/RVS |
| 12 | KG01070000 | 4 | M10/RVS/Nyloc |
| 23 | VNB1354194 | 1 | |
| 24 | KG00501500 | 1 | M12x60/RVS |
| 25 | VNB1785994 | 1 | L |
| 26 | VNB1786194 | 1 | R |
| 27 | VNB1786094 | 1 | |
| 28 | KG00654400 | 4 | M10x25/RVS |

70.009.064-5



Bestellnummer
 order number
 num. o commander
 Bestellnummer

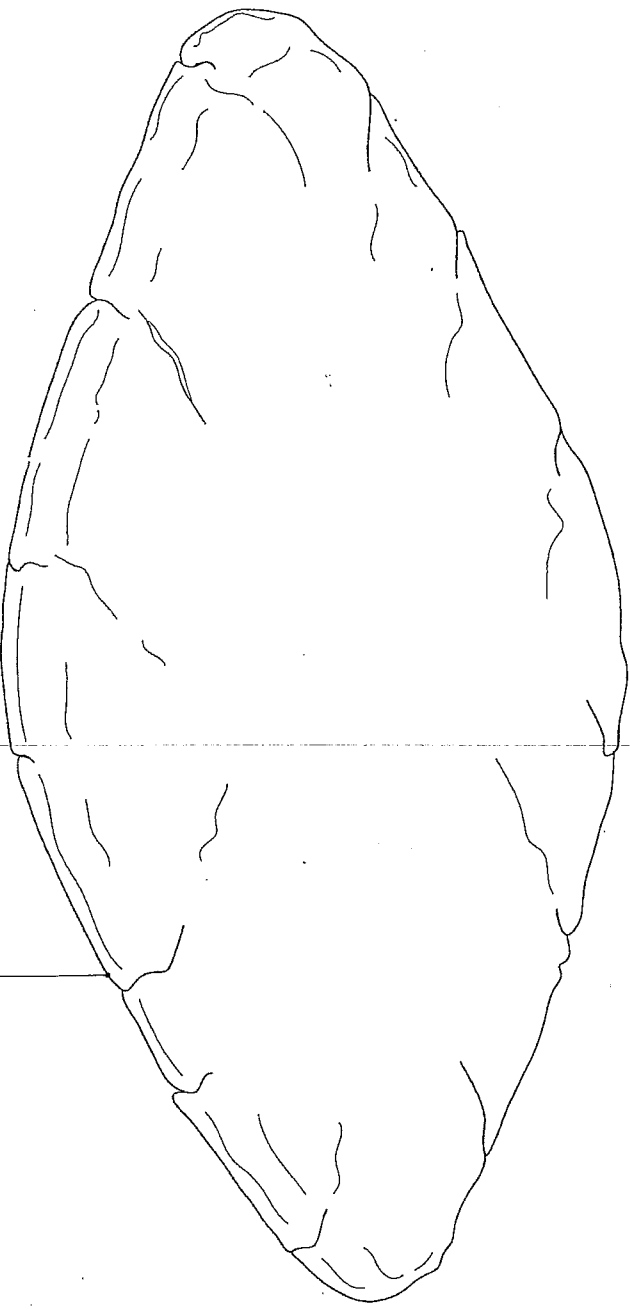
| | | | |
|---|------------|---|------------|
| 1 | VN17870140 | 1 | |
| 2 | VN17870620 | 1 | |
| 3 | VN17870441 | 4 | M10x25/RVS |
| 4 | KG00654400 | 8 | 10.5/RVS |
| 5 | KG01264000 | 8 | M10/RVS |
| 6 | KG01053800 | 8 | |
| 7 | VN90070519 | 2 | |
| 8 | VN90061008 | 1 | |

| | | | |
|----|------------|----|--------------|
| 9 | VN79760251 | 1 | |
| 14 | KG01263900 | 20 | 8.4/RVS |
| 15 | KG01069900 | 10 | M8/RVS/Nyloc |
| 16 | KG00497200 | 10 | M8x30/RVS |
| 17 | VNB1610178 | 10 | |

| | | | |
|----|------------|---|-------------|
| 11 | VN97871193 | 1 | |
| 12 | KG00765900 | 1 | B5.5x16/RVS |
| 13 | VNB1310474 | 1 | |

BUILDING BLOCK VN90009961-VN79750011

| Bestelnummer order number num. a commander Bestellnummer | 1 | 1 | 500 ltr |
|---|---|------------|----------|
| | 2 | VN90009961 | 1400 ltr |



- De beschikbaarheid van dit accessoire is afhankelijk van de vermelding in de lokale machine prijslijst
- The availability of this accessory is depending on their mention in the local retail price list
- La disponibilita de cet accessoire depend la pavs de commercialisation
- Die verfügbarkheit dieser zubehortelle ist von ihrer aufnahme in der gültigen preisliste für das betreffende land abhängig.
- La disponibilidad de estos accesorios, depende del pais de comercializacion

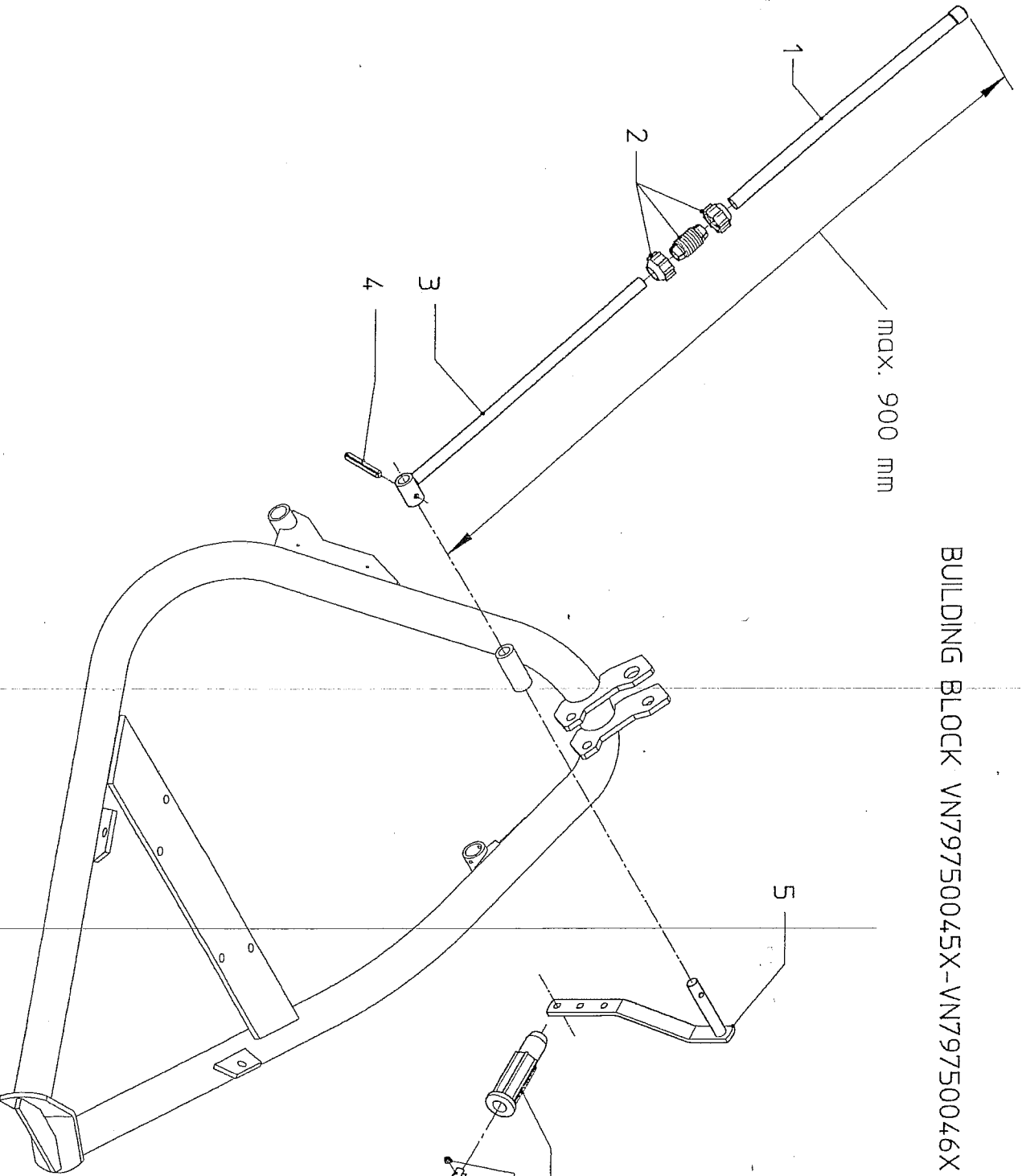
serial number 75406

D4

PS 403-503 (2)

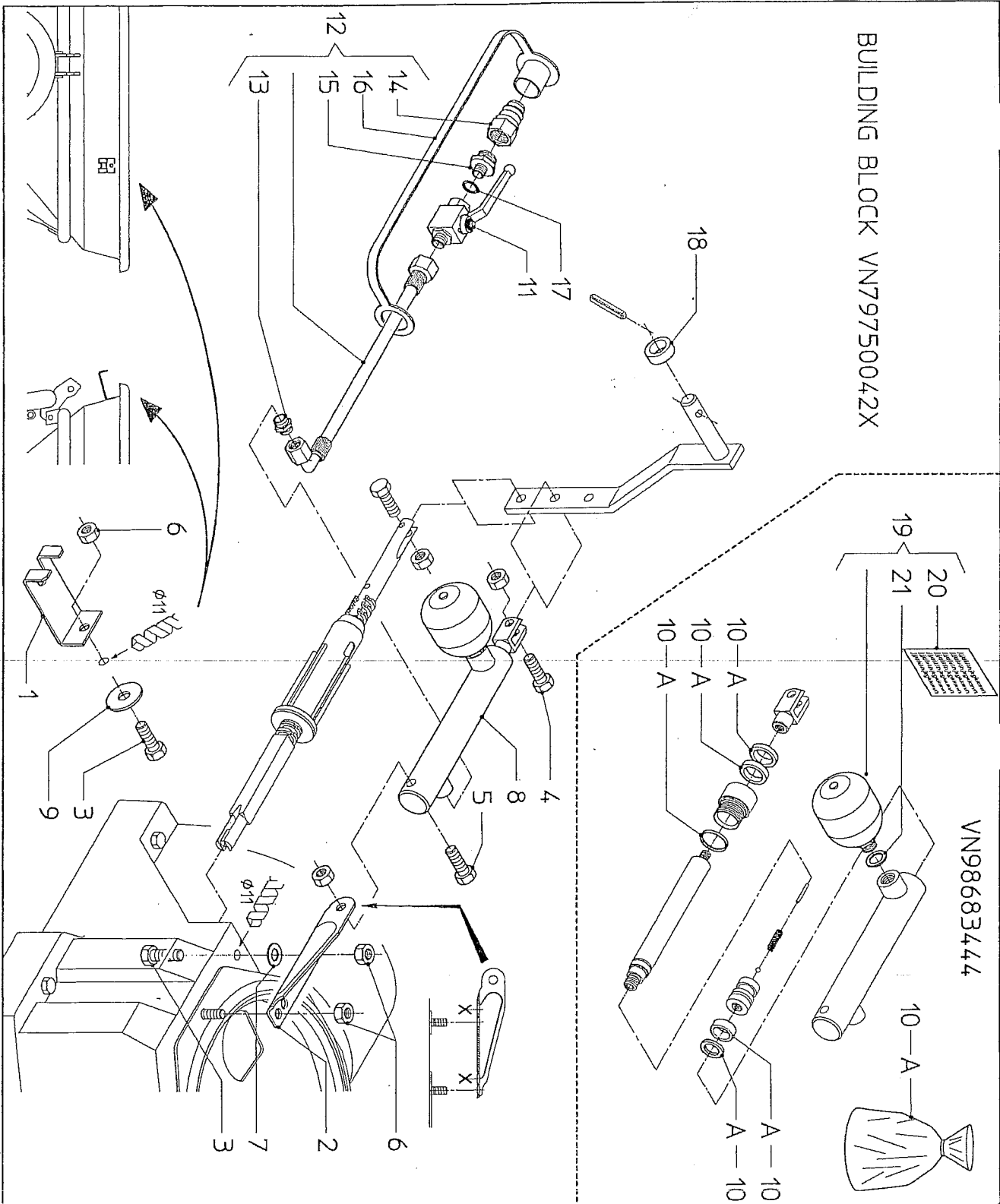
BUILDING BLOCK VN79750045X-VN79750046X

MAX. 900 mm



| bestellnummer | bestellnummer | bestellnummer |
|---------------|---------------|---------------|
| 1 | VN900095919 | 1 |
| 2 | VN79750023 | 1 |
| 3 | VN19410867 | 1 |
| 4 | VN30863832 | 1 |
| | | 8x32/DW |
| VN79750046X1 | | |
| 5 | VN19411000 | 1 |
| 6 | VN79220019 | 1 |
| 7 | VN90070437 | 1 |
| 8 | KG00495300 | 1 |
| 9 | KG01069800 | 1 |
| | | M6x25/RVS |
| | | M6/RVS/Nyloc |

BUILDING BLOCK VN79750042X



VN98683444

bestelnummer
order number
num. o commander
Bestelnummer

| | | | |
|----|--------------|---|-----------------|
| 1 | VN79750042X1 | 1 | |
| 2 | VNB1362794 | 1 | |
| 3 | VN19438793 | 1 | |
| 4 | KG00498700 | 2 | M10x25/RVS |
| 5 | KG00498900 | 1 | M10x35/RVS |
| 6 | KG00499200 | 1 | M10x50/RVS |
| 7 | KG01070000 | 4 | M10/RVS/Nyloc |
| 8 | KG01264100 | 1 | 13/RVS |
| 9 | VN90083444 | 1 | A10.5/RVS |
| 10 | KG01257800 | 1 | Sealing kit |
| 11 | VN79750027 | 1 | |
| 12 | VN90007711 | 1 | |
| 13 | VN17880642 | 1 | |
| 14 | VN38820161 | 1 | AL-8-R1/4"-0hne |
| 15 | VN38854081 | 1 | G1/2" |
| 16 | VNB1306893 | 1 | |
| 17 | VN38854581 | 1 | 1/2" |
| 18 | VN31419900 | 1 | A14x18x15 |

| | | | |
|----|------------|---|------------|
| 18 | VN90041090 | 1 | |
| 19 | VN79750037 | 1 | |
| 20 | VN70003641 | 1 | |
| 21 | VN31419016 | 1 | A17x21x1,5 |

serial number 75406

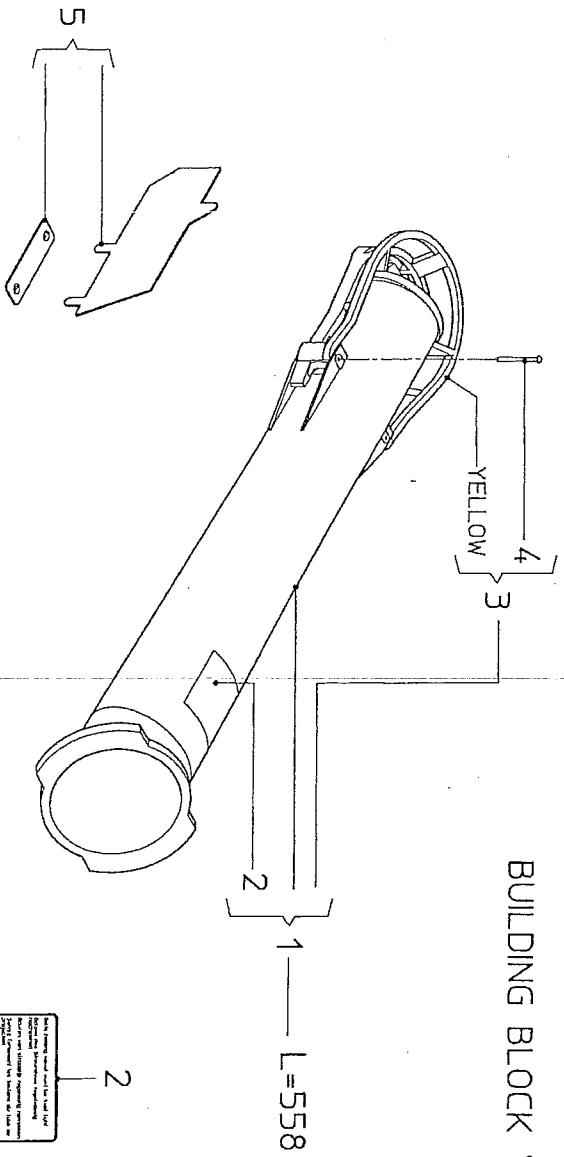
D6

PS 403-503 (2)

BUILDING BLOCK VN17896041

bestelnnummer
order number
num. o commander
Bestellnummer

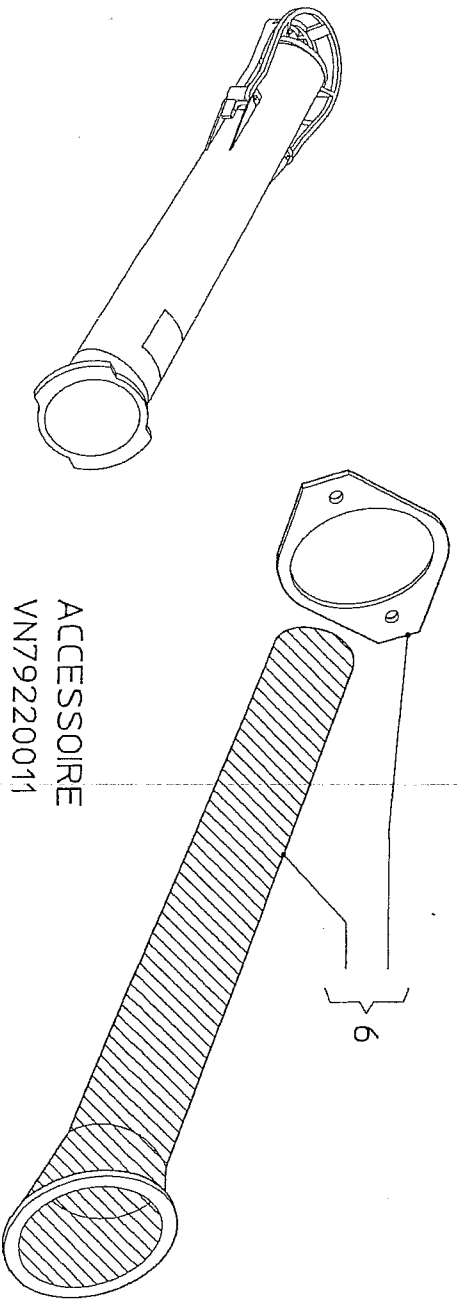
| | | | |
|---|-------------|---|----------|
| 1 | VN17896041 | 1 | L=558 mm |
| 2 | VN17890580 | 1 | |
| 3 | VN179750039 | 1 | |
| 4 | VN31204340 | 2 | 3x40 |
| 5 | VN179750040 | 1 | |



Bestelnnummer
order number
num. o commander
Bestellnummer

bestelnnummer
order number
num. o commander
Bestellnummer

| | | | |
|---|------------|---|-------|
| 6 | VN79220011 | 1 | L=477 |
|---|------------|---|-------|



ACCESSOIRE
VN79220011

L=477

- De beschikbaarheid van dit accessoire is afhankelijk van de melding in de lokale machine prijslijst.
- The availability of this accessory is depending on their mention in local retail price list.
- La disponibilité de cet accessoire dépend le pays de commercialisation.
- Die Verfügbarkeit dieser Zubehörteile ist von ihrer Aufnahme in der gültigen Preisliste für das betreffende Land abhängig.
- La disponibilidad de estos accesorios, depende del país de comercialización.

VN17895160
 L=370
 ACCESSOIRE
 VN79760043
 L=139

ACCESSOIRE
 VN79760045
 L=570
 rechts/right/droite/derecha
 VN79760040
 L=523

ACCESSOIRE
 VN79760042
 L=155
 links/left/gauche/izquierda
 VN79760041
 L=523

| | | | |
|-------------|------------|---|---------------|
| 1 | VN17895160 | 1 | L=370 |
| 2 | VN79750026 | 1 | |
| 3 | VN17890580 | 1 | |
| 4 | VN31204340 | 1 | 3x40 |
| ACCESSOIRES | | | |
| 4 | VN31204340 | 2 | 3x40 |
| 5 | VN79760045 | 1 | L=570 |
| 6 | VN19342235 | 2 | |
| 7 | KG00357562 | 2 | 8.8-M12x50/DW |
| 8 | VN79760042 | 1 | L=155 |
| 9 | VN79760043 | 1 | L=139 |
| 10 | VN79760040 | 1 | L=523 |
| 11 | VN79760041 | 1 | L=523 |
| 12 | VN79760048 | 1 | L=483 |
| 13 | VN79750032 | 1 | |
| 14 | VN79760046 | 1 | L=207 |
| 15 | VN79760044 | 1 | L=350 |
| 16 | VN79760282 | 1 | L=570 |

ACCESSOIRE
 VN79760043
 L=139

ACCESSOIRE
 VN79760040
 L=523

ACCESSOIRE
 VN79760041
 L=523

ACCESSOIRE
 VN79760044
 L=350

ACCESSOIRE
 VN79760048
 L=483

ACCESSOIRE
 VN79760046
 L=207

ACCESSOIRE
 VN79760282
 L=570

ACCESSOIRE
 VN79760044
 L=350

serial number 75406

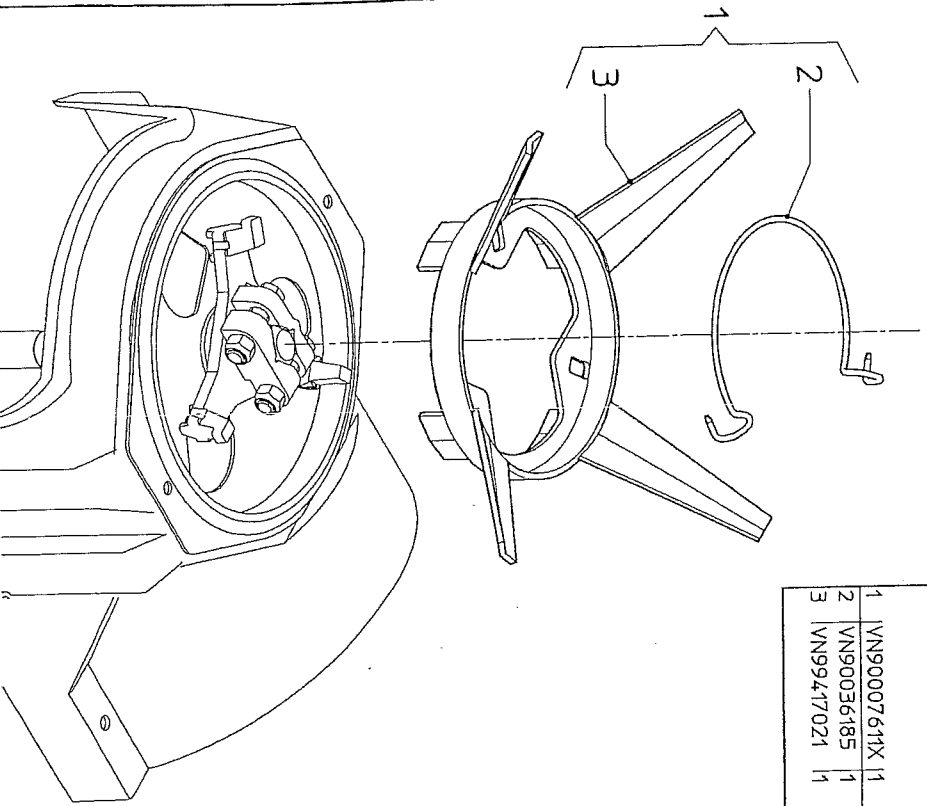
D8

PS 403-503 (2)

ACCESSOIRE
VN90007611X

bestelnummer
ordernummer
num. a commander
Bestellnummer

| | | | |
|---|-------------|---|---|
| 1 | VN90007611X | 1 | 1 |
| 2 | VN90036185 | 1 | 1 |
| 3 | VN9417021 | 1 | 1 |



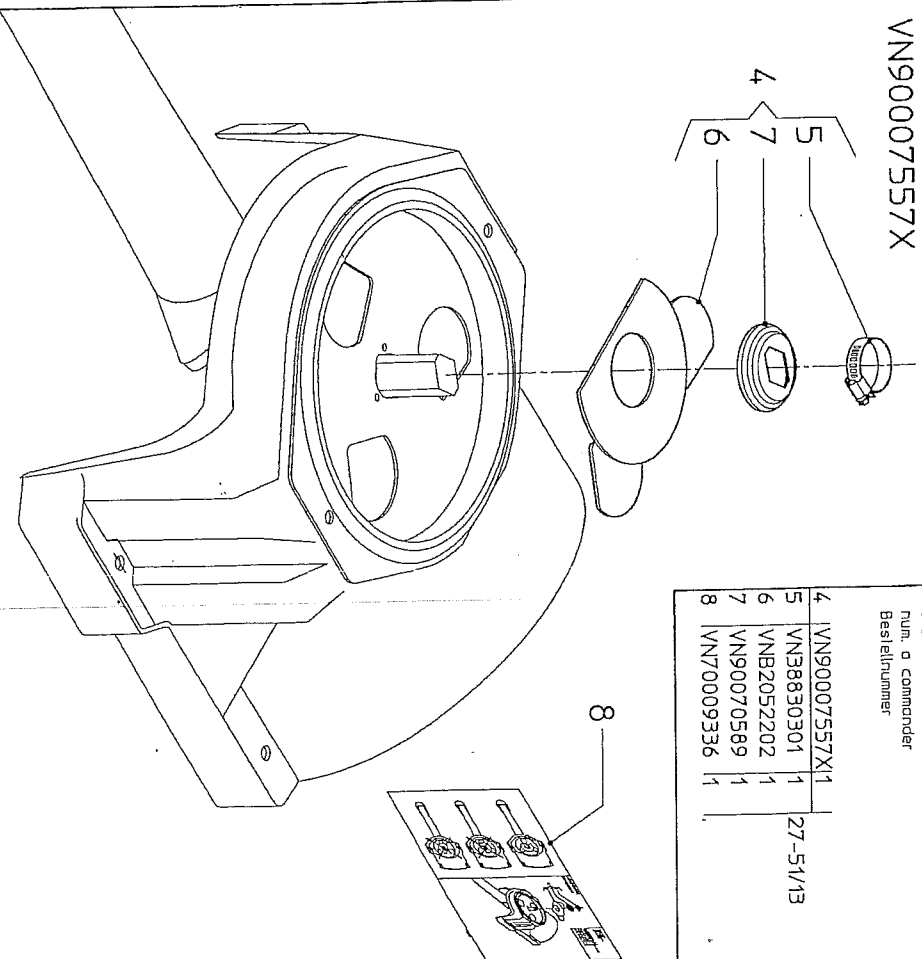
- De beschikbaarheid van dit accessoire is afhankelijk van de vermelding in de lokale machine prijslijst.
- The availability of this accessory is depending on their mention in local retail pricelist.
- La disponibilité de cet accessoire dépend de pays de commercialisation.

- Die Verfügbarkeit dieser Zubehörteile ist von ihrer Aufnahme in der gültigen Preislisite für das betreffende Land abhängig.
- La disponibilidad de estos accesorios, depende del país de comercialización.

ACCESSOIRE
VN90007557X

bestelnummer
ordernummer
num. a commander
Bestellnummer

| | | | |
|---|---------------|---|----------|
| 4 | VN90007557X11 | 1 | 27-51/13 |
| 5 | VN38830301 | 1 | 1 |
| 6 | VN2052202 | 1 | 1 |
| 7 | VN90070589 | 1 | 1 |
| 8 | VN70009336 | 1 | 1 |



- De beschikbaarheid van dit accessoire is afhankelijk van de vermelding in de lokale machine prijslijst.
- The availability of this accessory is depending on their mention in local retail pricelist.
- La disponibilité de cet accessoire dépend de pays de commercialisation.

- Die Verfügbarkeit dieser Zubehörteile ist von ihrer Aufnahme in der gültigen Preislisite für das betreffende Land abhängig.
- La disponibilidad de estos accesorios, depende del país de comercialización.

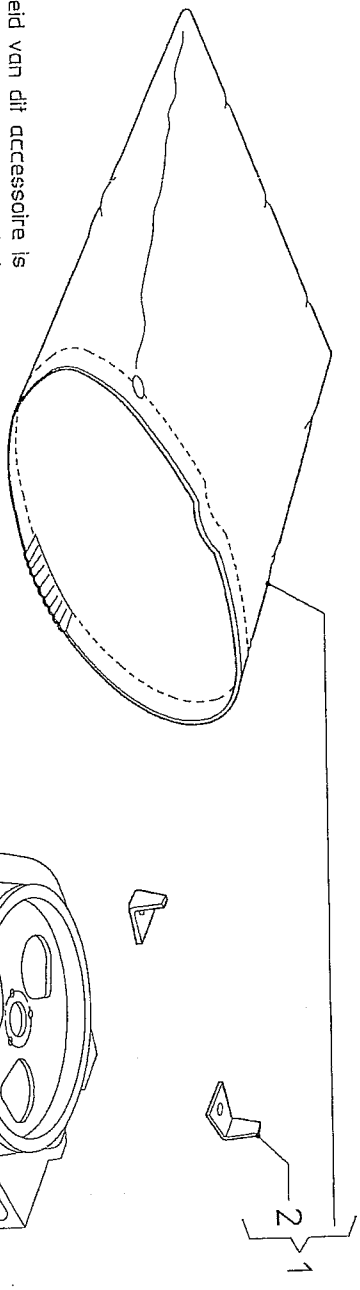
serial number 75406

D9

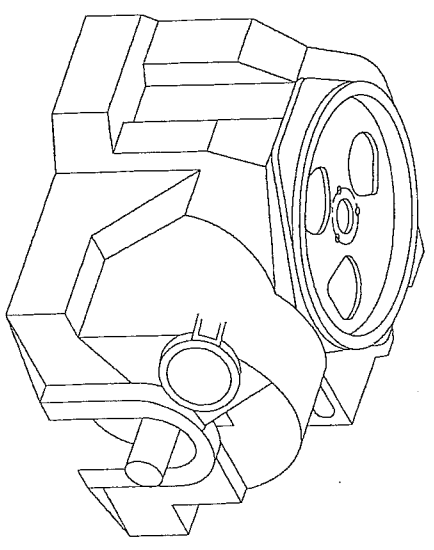
PS 403-503 (2)

ACCESSOIRE
VN79760061

| bestelnummer | order number | num. o commander | Bestelnummer |
|--------------|--------------|------------------|--------------|
| 1 | VN79760061 | 1 | |
| 2 | VN10240450 | 12 | |



- De beschikbaarheid van dit accessoire is afhankelijk van de vermelding in de lokale machine prijslijst
- The availability of this accessory is depending on their mention in the local retail price list
- La disponibilité de cet accessoire depend le pays de commercialisation
- Die Verfügbarkeit dieser Zubehorteile ist von ihrer Aufnahme in der gültigen Preisliste für das betreffende Land abhängig.
- La disponibilidad de estos accesorios, depende del país de comercialización



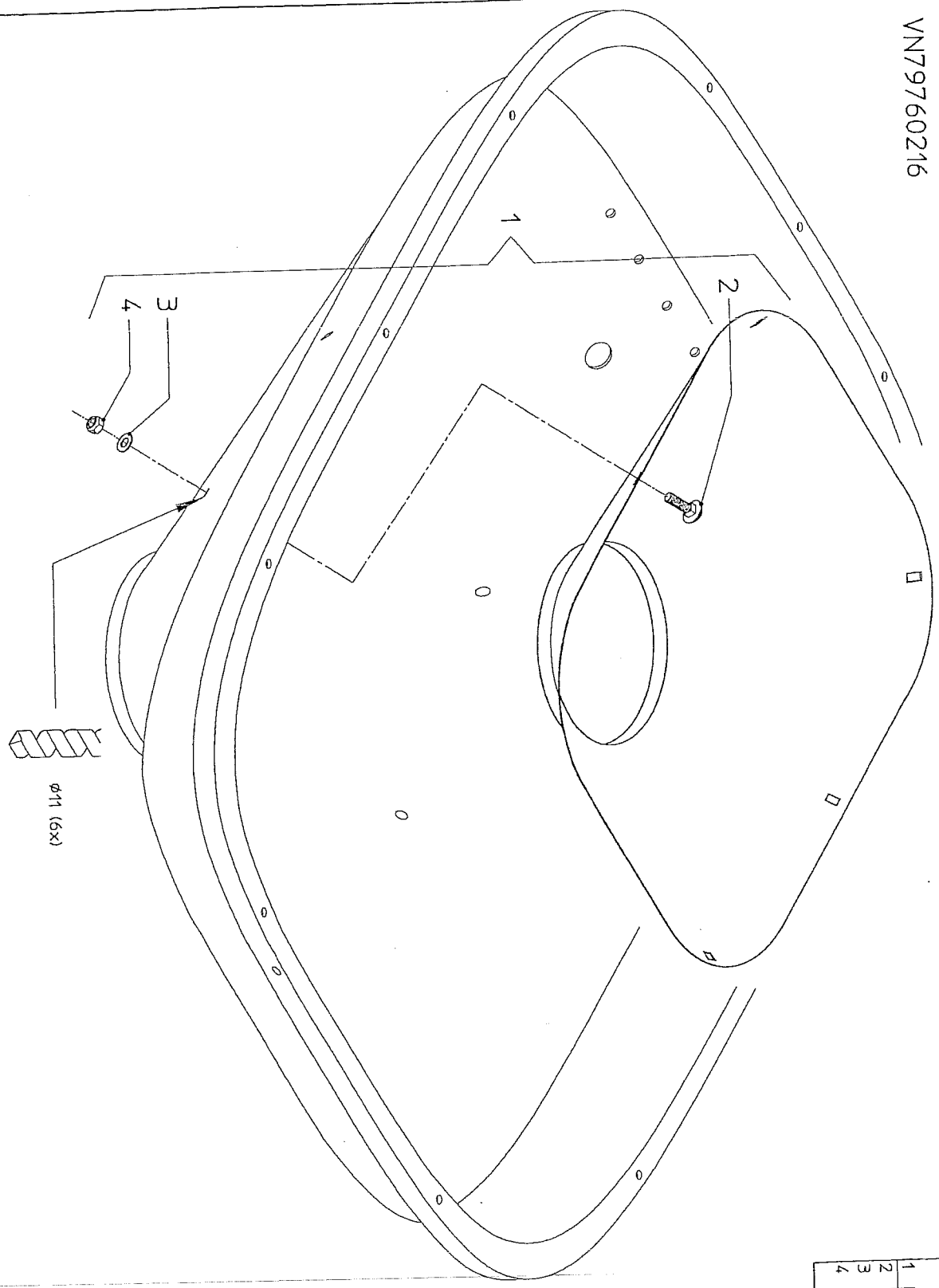


serial number 75406

D11

PS 403-503 (2)

ACCESSOIRE
VN79760216



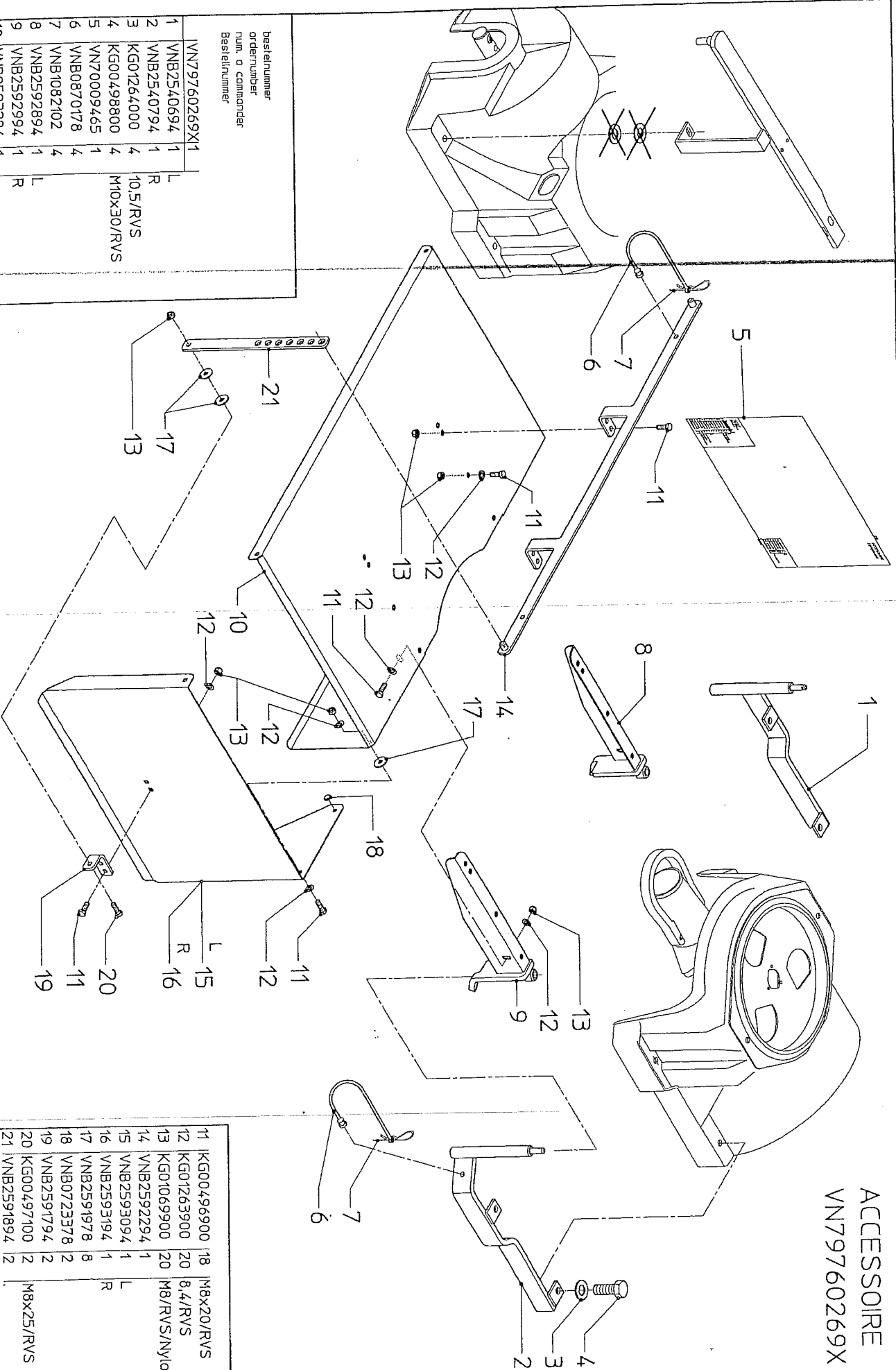
| Bestellnummer | order number | Bestellnummer | Bestellnummer |
|---------------|--------------|---------------|----------------|
| 1 | VN79760216 | 1 | |
| 2 | KG00654300 | 6 | M10x20/RVS |
| 3 | KG01264000 | 6 | 10,5/RVS |
| 4 | KG01070000 | 6 | M10/RVS/Nylloc |

serial number 75406

D12

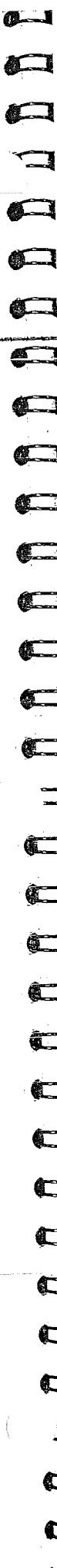
PS 403-503 (2)

ACCESSOIRE
VN79760269X



| bestelnnummer ordernummer num. o commander Bestellnummer | 1 | 2 | 3 | 4 | 5 | 6 | 7 | 8 | 9 | 10 |
|---|---|---|---|---|---|---|---|---|---|----|
| VN79760269X1 | 1 | 1 | 4 | 4 | 1 | 4 | 4 | 1 | 1 | 1 |
| VNB2540694 | L | R | | | | | | | | |
| VNB2540794 | | | | | | | | | | |
| KG01264000 | | | | | | | | | | |
| KG00498800 | | | | | | | | | | |
| VN70009465 | | | | | | | | | | |
| VNB0870178 | | | | | | | | | | |
| VNB1082102 | | | | | | | | | | |
| VNB2592894 | | | | | | | | | | |
| VNB2592994 | | | | | | | | | | |
| VNB2593294 | | | | | | | | | | |

| | | | |
|----|------------|----|--------------|
| 11 | KG00496900 | 18 | M8x20/RVS |
| 12 | KG01263900 | 20 | 8.4/RVS |
| 13 | KG01069900 | 20 | M8/RVS/Nylac |
| 14 | VNB2592294 | 1 | |
| 15 | VNB2593094 | 1 | |
| 16 | VNB2593194 | 1 | |
| 17 | VNB2591978 | 8 | |
| 18 | VNB0723378 | 2 | |
| 19 | VNB2591794 | 2 | |
| 20 | KG00497100 | 2 | |
| 21 | VNB2594894 | 12 | M8x25/RVS |

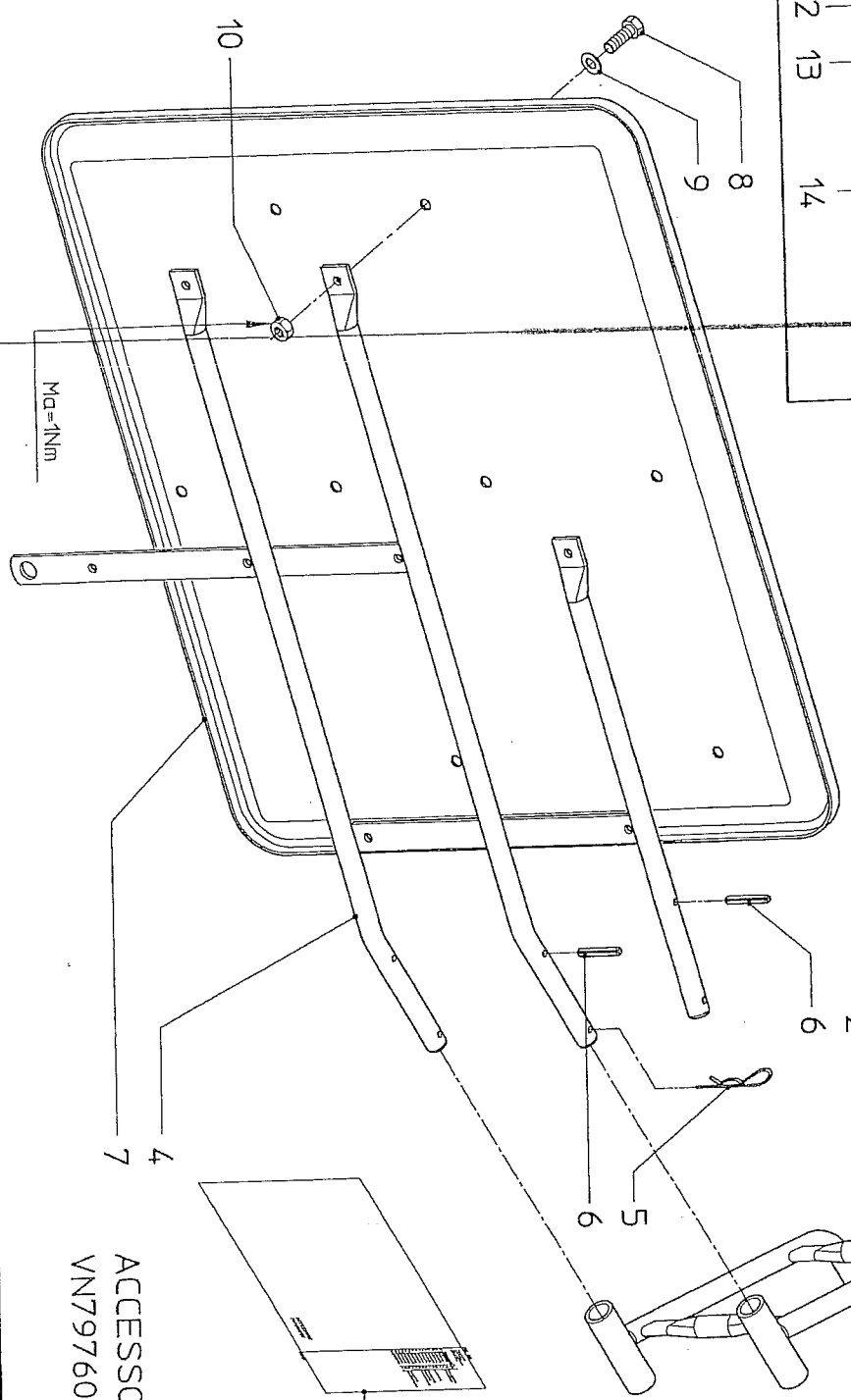
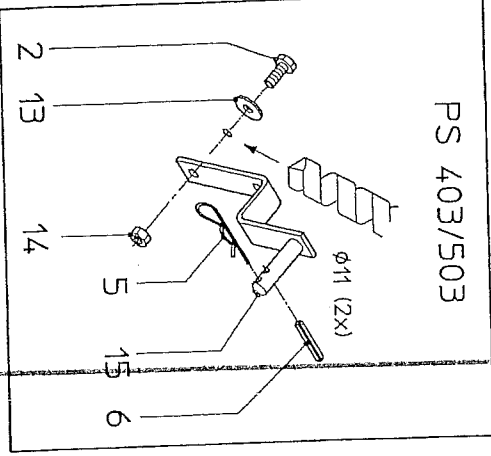


serial number 75406

PS 403/503

D13

PS 403-503 (2)



ACCESSOIRE
VN79760225X

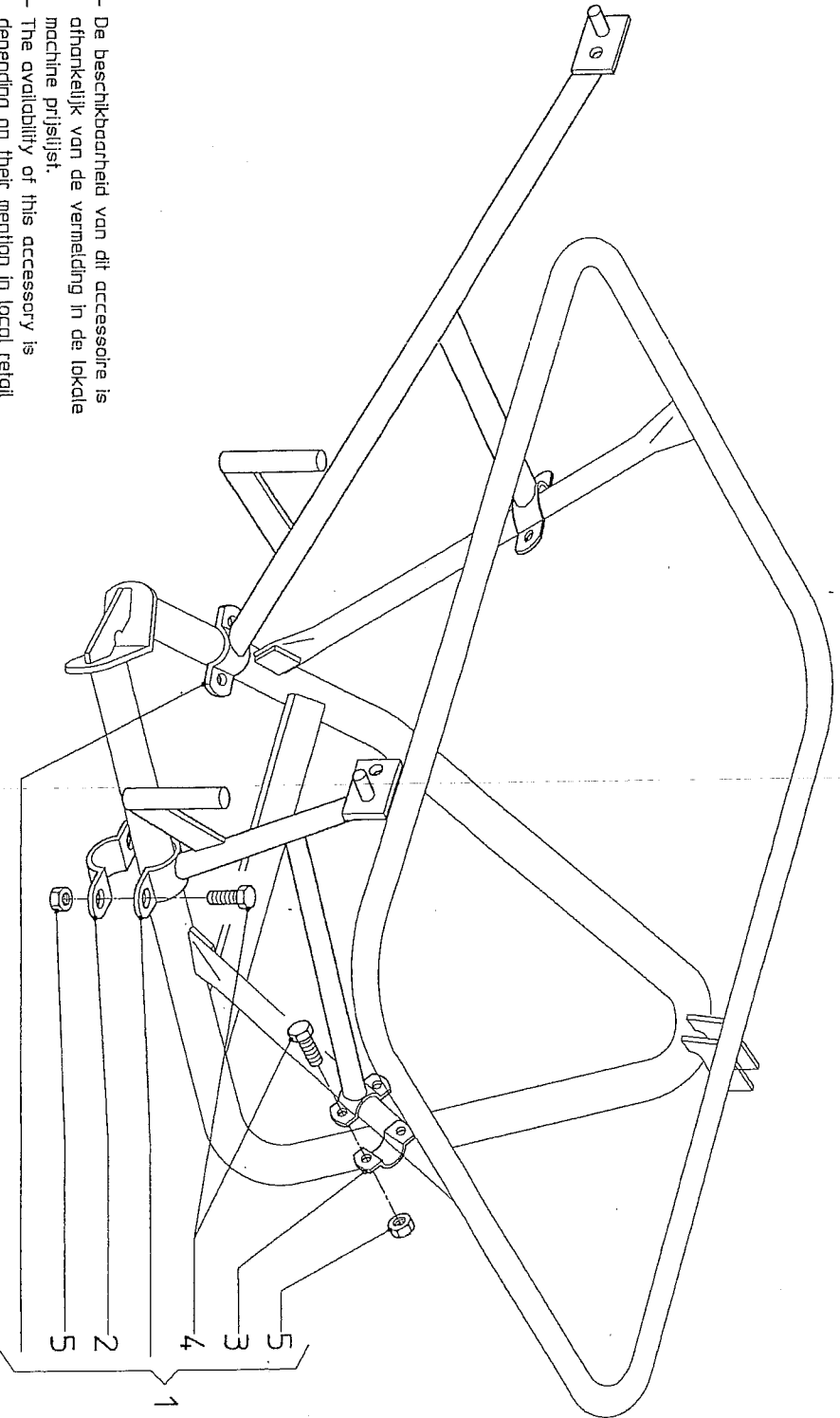
| Bestellnummer order number num. o commander Bestellnummer | | |
|--|---|---------------|
| VN79760225X1 | 1 | |
| VNB1202086 | 1 | |
| KG00498700 | 5 | M10x25/RVS |
| VN30598010 | 1 | K10/M10/DM |
| VNB1517786 | 1 | |
| VNB0897393 | 2 | 6x36/RVS |
| VN30103636 | 4 | |
| VNB1514978 | 4 | M8x20/RVS |
| KG00496900 | 8 | A8.4/RVS |
| KG01257600 | 8 | M8/RVS/Nyloc |
| KG01069900 | 8 | |
| VN70009202 | 1 | A10.5/RVS |
| KG01257800 | 2 | |
| KG01070000 | 2 | M10/RVS/Nyloc |
| VNB1785486 | 2 | |

serial number 75406

D14

PS 403-503 (2)

ACCESSOIRE
VN79750012



| bestelnummer | order number | num. o commander | Bestelnummer |
|--------------|--------------|------------------|--------------|
| 1 | VN79750012 | 1 | |
| 2 | VN19438245 | 2 | |
| 3 | VN19438249 | 2 | |
| 4 | KG00497100 | 8 | M8X25/RVS |
| 5 | KG01065900 | 8 | M8/RVS/NVloc |

- De beschikbaarheid van dit accessoire is afhankelijk van de vermelding in de lokale machine prijslijst.
- The availability of this accessory is depending on their mention in local retail pricelist.
- La disponibilité de cet accessoire dépend le pays de commercialisation.
- Die Verfügbarkeit dieser Zubehörtteile ist von ihrer Aufnahme in der gültigen Preisliste für das betreffende Land abhängig.
- La disponibilidad de estos accesorios, depende del país de comercialización.

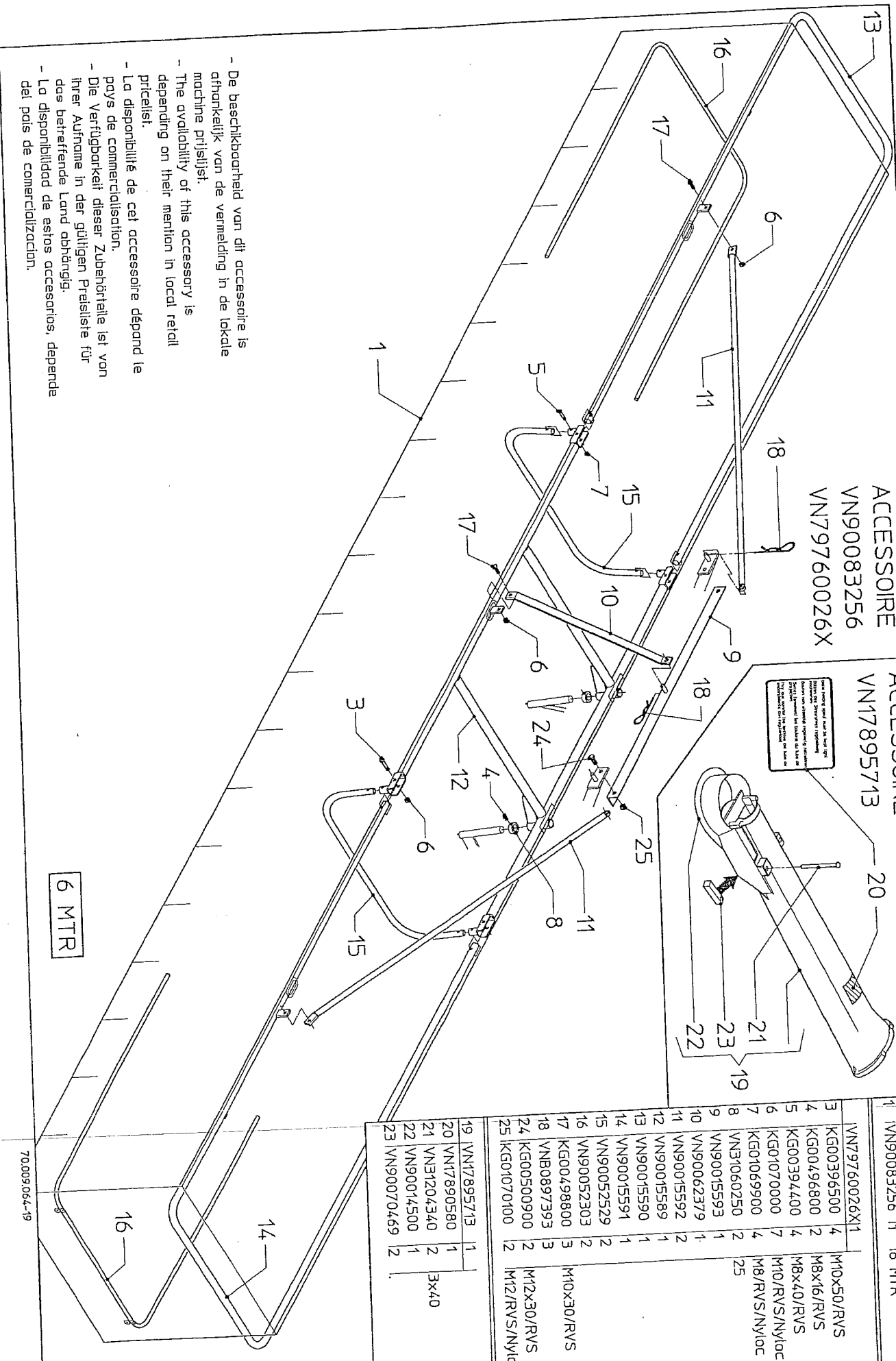
serial number 75406

ACCESSOIRE
VN90083256
VN79760026X

ACCESSOIRE
VN17895713

Small text box with technical specifications or notes.

- De beschikbaarheid van dit accessoire is afhankelijk van de vermelding in de lokale machine prijslijst.
- The availability of this accessory is depending on their mention in local retail price list.
- La disponibilité de cet accessoire dépend de la mention de commercialisation.
- Die Verfügbarkeit dieser Zubehörteile ist von ihrer Aufnahme in der gültigen Preisliste für das betreffende Land abhängig.
- La disponibilidad de estos accesorios, depende del país de comercialización.



PS 403/503 (2)

| | | | |
|----|--------------|----|---------------|
| 1 | VN90083256 | 14 | 16 MTR |
| 2 | VN79760026X1 | 4 | M10x50/RVS |
| 3 | KG00396500 | 2 | M8x16/RVS |
| 4 | KG00496800 | 4 | M8x40/RVS |
| 5 | KG00394400 | 7 | M10/RVS/Nyloc |
| 6 | KG01070000 | 4 | M8/RVS/Nyloc |
| 7 | KG01069900 | 4 | 25 |
| 8 | VN31060250 | 2 | |
| 9 | VN90015593 | 1 | |
| 10 | VN90062379 | 1 | |
| 11 | VN90045592 | 2 | |
| 12 | VN90045589 | 1 | |
| 13 | VN90045590 | 1 | |
| 14 | VN90045591 | 1 | |
| 15 | VN90052529 | 2 | |
| 16 | VN90052303 | 2 | M10x30/RVS |
| 17 | KG00498800 | 3 | |
| 18 | VNB0897393 | 3 | M12x30/RVS |
| 24 | KG00500900 | 2 | M12/RVS/Nyloc |
| 25 | KG01070100 | 2 | |
| 19 | VN17895713 | 1 | |
| 20 | VN17890580 | 1 | |
| 21 | VN31204340 | 2 | 3x40 |
| 22 | VN90014500 | 1 | |
| 23 | VN90070469 | 2 | |

76.009.064-19

NUMERICAL INDEX / NUMMIERN-VERZEICHNIS / INDEX NUMERIQUE / NUMERIEKE INDEX / INDICE DE NUMEROS

| 2 PS403/503 | | Page: 01 | | Page: 02 | | Page: 03 | | Page: 04 | | Page: 05 | | Page: 06 | | Page: 07 | |
|-------------|-------------|----------|---------------|----------|-------------|----------|-------------|----------|-------------|----------|-------------|----------|-------------|----------|-------------|
| Part no. | Telle-nr. | Selle | Telle-nr. | Selle | Telle-nr. | Selle | Telle-nr. | Selle | Telle-nr. | Selle | Telle-nr. | Selle | Telle-nr. | Selle | Telle-nr. |
| Onderd. nr. | No. de ref. | Page | Onderd. nr. | Page | Onderd. nr. | Page | Onderd. nr. | Page | Onderd. nr. | Page | Onderd. nr. | Page | Onderd. nr. | Page | Onderd. nr. |
| Nom. de pza | Nom. de pza | Page | Nom. de pza | Page | Nom. de pza | Page | Nom. de pza | Page | Nom. de pza | Page | Nom. de pza | Page | Nom. de pza | Page | Nom. de pza |
| KG00357562 | | D07 | KG01070100 | D01 | VGTR2023 | C16 | VN31204340 | D07 | VN79760048 | D07 | VNB0723378 | D12 | VNB25693094 | D12 | |
| KG00394400 | | D15 | KG01070100 | D15 | VN10240450 | D09 | VN31204340 | D15 | VN79760061 | D09 | VNB0765193 | D01 | VNB25693194 | D12 | |
| KG00396500 | | D15 | KG01070200 | D01 | VN17870140 | D02 | VN31419016 | D05 | VN79760207 | D05 | VNB0765393 | D01 | VNB25693294 | D12 | |
| KG00495300 | | D04 | KG01233462 | D01 | VN17870441 | D02 | VN31419900 | D02 | VN79760209 | D05 | VNB0870178 | D01 | VNB2822600 | C16 | |
| KG00496800 | | D15 | KG01257600 | D13 | VN17870620 | D02 | VN38820161 | D02 | VN79760212 | D05 | VNB0870178 | D01 | VNB2822600 | C16 | |
| KG00496900 | | D12 | KG01257600 | D12 | VN17880642 | D05 | VN38830301 | D05 | VN79760216 | D11 | VNB0870178 | D01 | VNB3787874 | C16 | |
| KG00496900 | | D13 | KG01257800 | D13 | VN17890580 | D06 | VN38854081 | D06 | VN79760225 | D13 | VNB0897393 | D12 | | | |
| KG00497100 | | D12 | KG01263900 | D02 | VN17890580 | D07 | VN38854581 | D05 | VN79760251 | D02 | VNB0897393 | D13 | | | |
| KG00497100 | | D14 | KG01263900 | D12 | VN17890580 | D12 | VN41702899 | D05 | VN79760252 | D02 | VNB0903374 | D15 | | | |
| KG00497200 | | D02 | KG01264000 | D02 | VN17890747 | D15 | VN46120094 | D01 | VN79760262 | D10 | VNB0903374 | D16 | | | |
| KG00498700 | | D05 | KG01264000 | D10 | VN17890748 | C16 | VN70003641 | C01 | VN79760269 | D12 | VNB1082102 | D10 | | | |
| KG00498700 | | D13 | KG01264000 | D11 | VN17890749 | C16 | VN70009158 | D05 | VN79760282 | D07 | VNB1082102 | D12 | | | |
| KG00498800 | | D01 | KG01264000 | D12 | VN17890750 | C16 | VN70009202 | D10 | VN90007557 | D08 | VNB1165974 | C16 | | | |
| KG00498800 | | D10 | KG01264100 | D01 | VN17890751 | C16 | VN70009236 | D13 | VN90007611 | D08 | VNB1306693 | D05 | | | |
| KG00498800 | | D10 | KG01264100 | D01 | VN17890751 | C16 | VN70009336 | D08 | VN90007711 | D08 | VNB1306693 | D05 | | | |
| KG00498800 | | D12 | KG01264100 | D06 | VN17890752 | C16 | VN70009465 | D12 | VN90009961 | D05 | VNB1307394 | D01 | | | |
| KG00498800 | | D15 | KG01264200 | D01 | VN17890755 | C16 | VN79220011 | D06 | VN90014500 | D03 | VNB1310474 | D02 | | | |
| KG00498900 | | D05 | VG10.01,00 | C01 | VN17890756 | C16 | VN79220019 | D04 | VN90015589 | D15 | VNB1317494 | D01 | | | |
| KG00500900 | | D05 | VG10.48,00 | C01 | VN17890757 | C16 | VN79220019 | D04 | VN90015590 | D15 | VNB1354194 | D01 | | | |
| KG00501200 | | D15 | VG10.49,00 | C01 | VN17890758 | C16 | VN79750008 | D01 | VN90015591 | D15 | VNB1362794 | D05 | | | |
| KG00501200 | | D01 | VG10.83,40 | C01 | VN17890818 | C16 | VN79750011 | D03 | VN90015592 | D15 | VNB1514978 | D13 | | | |
| KG00501500 | | D01 | VG365305 | C01 | VN17890823 | C16 | VN79750012 | D14 | VN90015592 | D15 | VNB1517786 | D13 | | | |
| KG00503000 | | D01 | VG56.104,19 | C01 | VN17890823 | C16 | VN79750023 | D04 | VN90015593 | D15 | VNB1595678 | D10 | | | |
| KG00654300 | | D11 | VG61.04,01 | C01 | VN17895160 | D07 | VN79750026 | D07 | VN90036185 | D08 | VNB1610178 | D02 | | | |
| KG00654400 | | D01 | VG63.27,00 | C01 | VN17895713 | D15 | VN79750027 | D05 | VN90041090 | D05 | VNB1785486 | D13 | | | |
| KG00654400 | | D02 | VG75.02,15 | C01 | VN17896041 | D06 | VN79750032 | D07 | VN90043838 | D01 | VNB1785994 | D01 | | | |
| KG00765900 | | D02 | VG75.06,15 | C01 | VN19342235 | D07 | VN79750037 | D05 | VN90044272 | D01 | VNB1786194 | D01 | | | |
| KG01053800 | | D02 | VG82.36,03 | C01 | VN19410867 | D04 | VN79750039 | D06 | VN90052303 | D15 | VNB1786194 | D01 | | | |
| KG01069800 | | D04 | VG83.09,01 | C01 | VN19411000 | D04 | VN79750040 | D06 | VN90052529 | D15 | VNB2052202 | D08 | | | |
| KG01069900 | | D02 | VG83.10,03 | C01 | VN19411548 | D01 | VN79750042 | D05 | VN90061008 | D02 | VNB2072274 | D15 | | | |
| KG01069900 | | D12 | VG85.004 | C01 | VN1941549 | D01 | VN79750045 | D04 | VN90062379 | D15 | VNB2540694 | D10 | | | |
| KG01069900 | | D13 | VG85.004 | C01 | VN19438245 | D14 | VN79750046 | D04 | VN90070437 | D04 | VNB2540694 | D12 | | | |
| KG01069900 | | D14 | VG85.005 | C01 | VN19438249 | D14 | VN79750046 | D15 | VN90070469 | D15 | VNB2540794 | D10 | | | |
| KG01069900 | | D15 | VG85.05,06 | C01 | VN19438249 | D05 | VN79750026 | D07 | VN90070469 | D02 | VNB2540794 | D10 | | | |
| KG01069900 | | D01 | VGAGRASET 173 | C01 | VN19438249 | D05 | VN79750041 | D07 | VN90070589 | D08 | VNB2591794 | D12 | | | |
| KG01070000 | | D05 | VGAGRASET 207 | C01 | VN30058010 | D13 | VN79760040 | D07 | VN90070589 | D08 | VNB2591894 | D12 | | | |
| KG01070000 | | D05 | VGTR1010 | C16 | VN30854700 | D01 | VN79760042 | D07 | VN90083256 | D15 | VNB2591894 | D12 | | | |
| KG01070000 | | D11 | VGTR2005 | C16 | VN30883832 | D04 | VN79760043 | D07 | VN90083444 | D05 | VNB2591978 | D12 | | | |
| KG01070000 | | D13 | VGTR2011 | C16 | VN31060250 | D15 | VN79760044 | D07 | VN90085919 | D04 | VNB2592294 | D12 | | | |
| KG01070000 | | D15 | VGTR2015 | C16 | VN31204340 | D06 | VN79760045 | D07 | VN97871193 | D02 | VNB2592894 | D12 | | | |
| | | | | | | | VN31204340 | D06 | VN79760046 | D07 | VNB2592994 | D12 | | | |