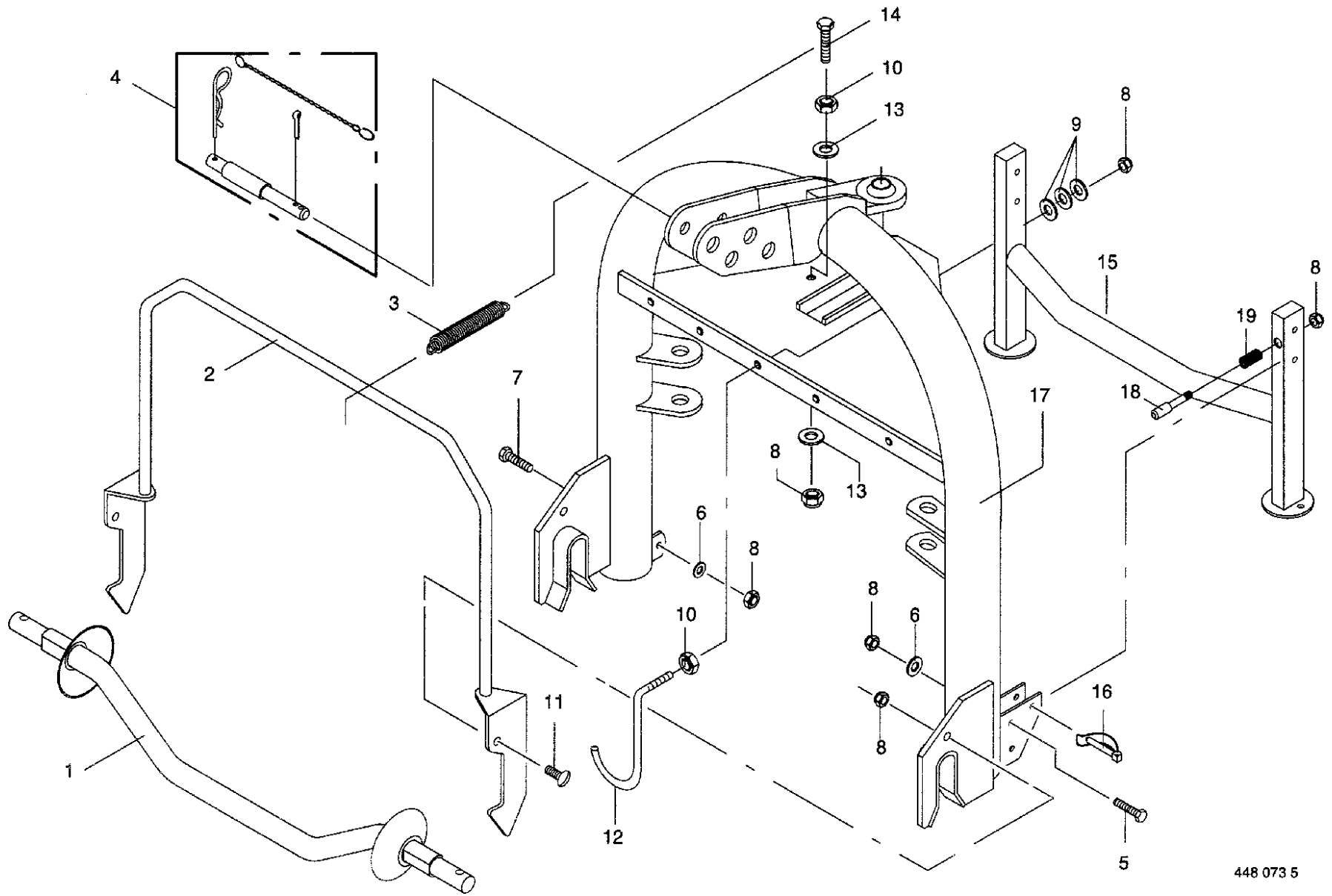


## Table Of Contents

Headstock .....	2	Folding Hydraulics - KW-550/770 ....	38
Hitch Beam .....	4	Folding Hydraulics - KW-550/770 ....	40
Central Gearbox - KW-550 .....	6	Folding Hydraulics - KW-670 .....	42
Central Gearbox - KW-550 .....	8	Folding Hydraulics - KW-670 .....	44
Central Gearbox - KW-670/770 .....	10	Safety Frames - KW-550 .....	46
Central Gearbox - KW-670/770 .....	12	Safety Frames - KW-670/770 .....	48
Intermediate Beam - KW-670/770 ....	14	Safety Frames - KW-670/770 .....	50
Outer Support Tube - KW-550 .....	16	Tine Savers .....	52
Outer Support Tube - KW-670/770 ...	18	Windrowing Gearbox .....	54
Inner Hinge Point .....	20	Windrowing Gearbox Mounting .....	56
Central Hinge Point - KW-670/770 ...	22	Wheel Covers .....	58
Angle Adjustment Rod .....	24	Lighting .....	60
Angle Adjusting Levers .....	26	PTO Shaft - KW-550/670 .....	62
Inner Rotors .....	28	PTO Shaft - KW-770 .....	64
Outer Rotors .....	30	Universal Joint "A" - KW-670/770 ....	66
Wheels .....	32	Universal Joint "B" .....	68
Hydraulic Valve .....	34	General Information Decals .....	70
Angle Adjustment Hydraulics .....	36	Warning Decals .....	72

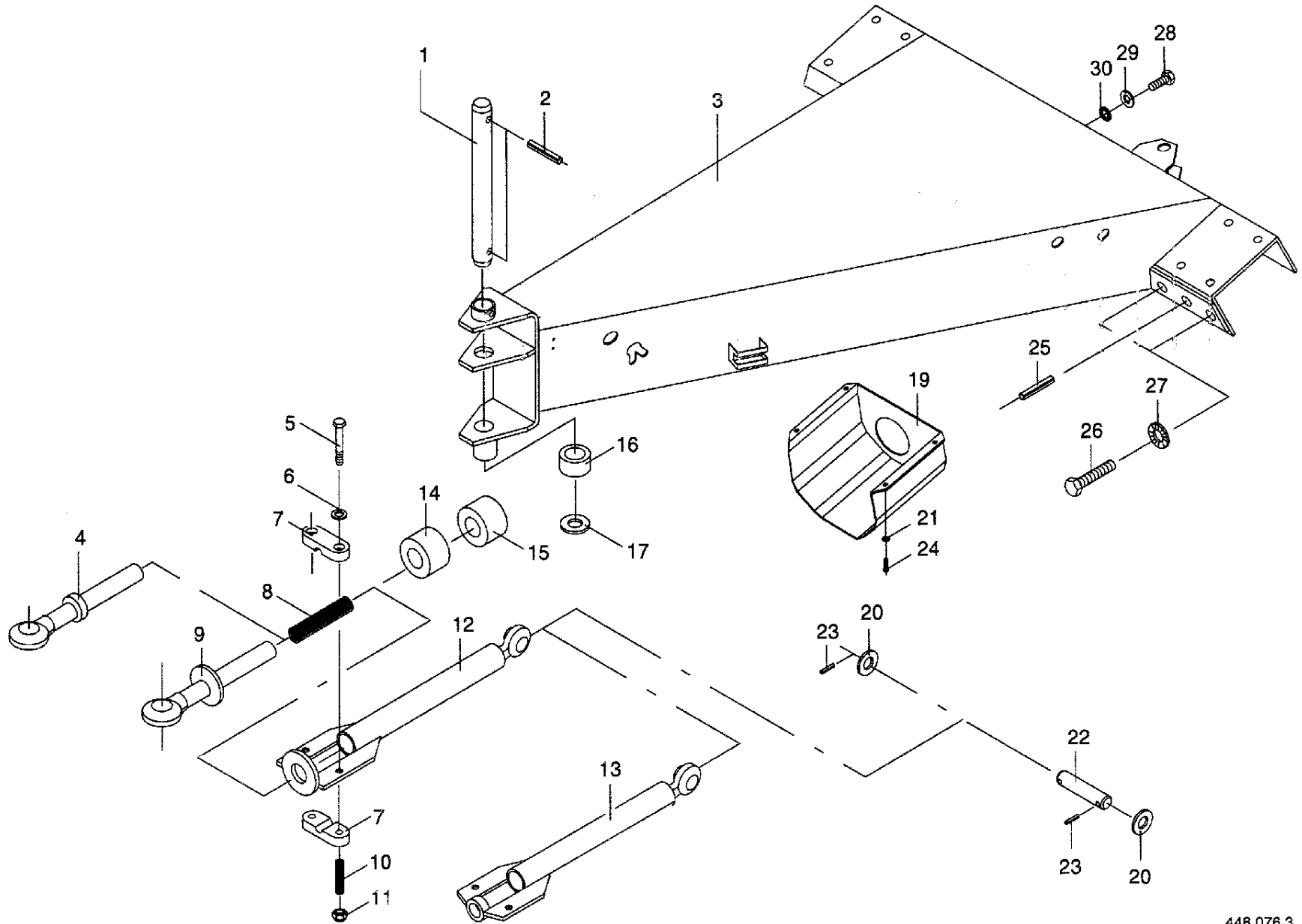


448 073 5

# Headstock

## Headstock

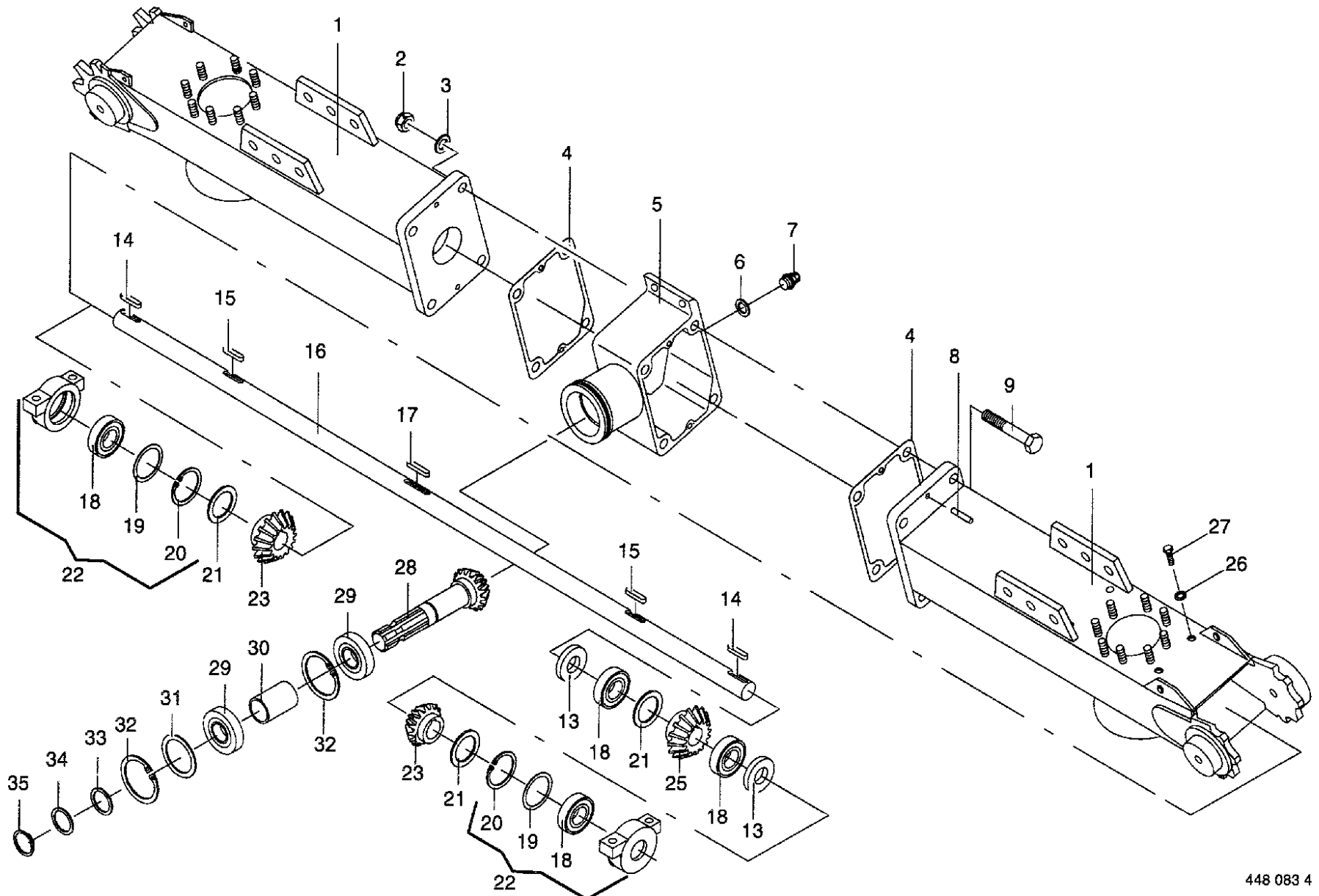
Item	Part Number	Description	Serial # Ranges	KW-550	KW-670	KW-770	Notes
1	154.444.0	Shaft		X	X	X	Cat. II
2	260.330.0	Locking Mechanism		X	X	X	
3	030.124.1	Tension Spring		X	X	X	
4	144.141.2	Upper Link Pin		X	X	X	
5	900.304.1	Hex Head Bolt		X	X	X	
6	910.506.0	Washer		X	X	X	13 X 24 X 2.5
7	901.453.0	Hex Head Bolt		X	X	X	
8	908.701.0	Hex Nut		X	X	X	
9	909.922.0	Cup Spring		X	X	X	
10	908.215.0	Hex Nut		X	X	X	
11	904.884.0	Flat Round Bolt		X	X	X	M12 X 35
12	154.566.0	PTO Shaft Holder		X	X	X	
13	910.506.0	Washer		X	X	X	
14	900.658.0	Hex Head Bolt		X	X	X	
15	260.599.0	Jack Stand		X	X	X	
16	917.001.0	Lynch Pin		X	X	X	11 X 55
17	260.321.0	Headstock		X	X	X	
18	260.241.0	Spring Bolt		X	X	X	
19	492.119.0	Pressure Spring		X	X	X	



# Hitch Beam

## Hitch Beam

Item	Part Number	Description	Serial # Ranges	KW-550	KW-670	KW-770	Notes
1	260.242.0	Pin		X	X	X	Rd. 30 X 286
2	912.714.0	Roll Pin		X	X	X	10 X 40
3	260.231.0	Supporting Beam		X			
	260.320.0	Supporting Beam			X	X	
4	153.436.2	Tube Inside		X			
	153.434.2	Male Tube			X		
5	901.455.0	Hex Head Bolt		X	X	X	M12 X 75
6	910.609.0	Washer		X	X	X	13 X 37 X 3
7	153.139.1	Clamp		X	X	X	
8	153.461.0	Pressure Spring		X			5 X 20 X 1050
	153.459.0	Pressure Spring			X	X	5 X 20 X 870
9	260.126.0	Male Tube				X	
10	052.053.1	Pressure Spring		X	X	X	2.5 X 15 X 23
11	908.701.0	Hex Nut		X	X	X	M12
12	260.125.0	Female Tube				X	
13	153.432.1	Female Tube		X	X		
14	260.127.0	Buffer				X	
15	155.044.0	Spacer				X	Rd. 80 X 30
16	153.584.0	Roller		X	X	X	
17	910.865.0	Shim		X	X	X	30 X 42 X 2.0
19	155.029.0	PTO Shaft Guard				X	
20	910.514.1	Washer		X	X	X	26 X 44 X 4
21	910.413.0	Washer				X	A 8.4
22	153.088.0	Pin		X	X	X	25 X 104
23	912.670.0	Roll Pin		X	X	X	8 X 40
24	906.983.1	Self-Tapping Screw				X	B 8 X 22
25	912.507.0	Roll Pin		X	X	X	16 X 20
26	900.674.0	Hex Head Bolt		X	X	X	M16 X 35
27	909.912.0	Detent Edged Washer		X	X	X	SKM 16
28	900.656.0	Hex Head Bolt		X	X	X	M12 X 30
29	910.624.0	Washer		X	X	X	13.0 X 35 X 8
30	909.910.0	Detent Edged Washer		X	X	X	SKM 12

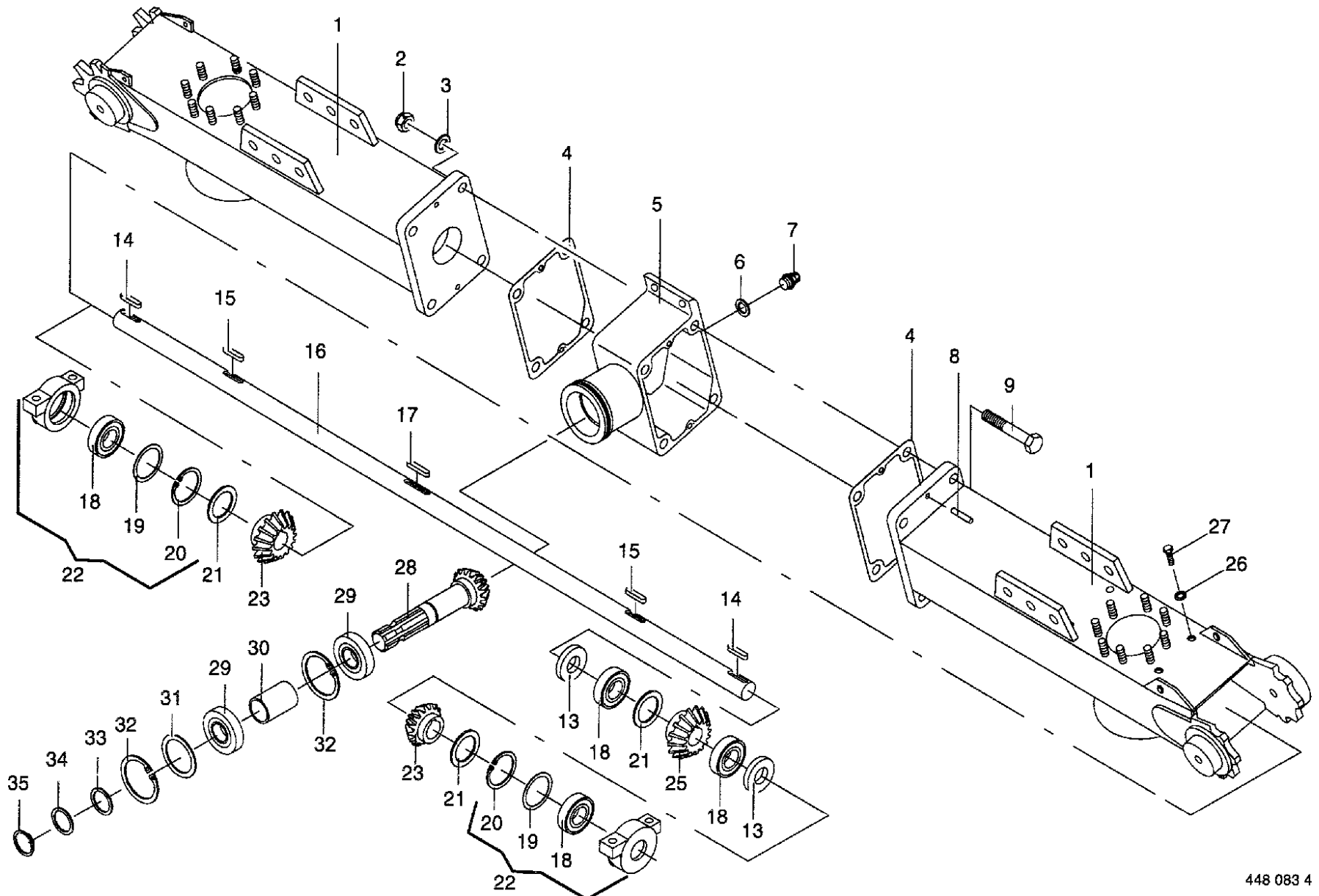


448 083 4

# Central Gearbox - KW-550

## Central Gearbox - KW-550

Item	Part Number	Description	Serial # Ranges	KW-550	KW-670	KW-770	Notes
1	260.593.0	Inner Support Tube		X			
	926.000.0	Semi-Fluid Gear Lubricant		X			
2	908.716.1	Hex Nut		X			NM16
3	910.303.0	Washer		X			17 X 30 X 3
4	153.458.0	Gearbox Seal		X			T=.5mm
5	153.030.0	Gearbox Housing		X			
6	937.727.0	Gasket Ring		X			A 18 X 24 X 1.5
7	919.811.0	Breather		X			M18 X 1.5
8	915.742.0	Cylinder Pin		X			8 M6 X 20
9	901.493.0	Hex Head Bolt		X			M16 X 150
13	936.317.1	Radial Seal		X			AS 30 X 52 X 12
14	915.078.0	Flat Key		X			A 8 X 7 X 40
15	915.078.0	Flat Key		X			A 8 X 7 X 40
16	260.594.0	Shaft		X			Rd. 30 X 1630
17	915.081.0	Flat Key		X			B 8 X 7 X 45
18	930.536.1	Bearing		X			6206 2RS
19	910.902.0	Shim		X			50 X 62 X .3
	910.903.0	Shim		X			50 X 62 X .5
20	911.659.0	Circlip		X			I 62 X 2.0
21	910.862.0	Shim		X			30 X 42 X .3
	910.863.0	Shim		X			30 X 42 X .5
	910.864.0	Shim		X			30 X 42 X 1.0
	910.865.0	Shim		X			30 X 42 X 2.0
22	155.099.0	Bearing		X			
23	153.895.0	Pinion		X			Z=14
25	153.897.0	Bevel Wheel		X			Z=30
26	909.910.0	Detent Edged Washer		X			SKM 12
27	901.452.0	Hex Head Bolt		X			M12 X 50
28	153.528.0	Pinion Shaft		X			Z=16
29	930.537.0	Bearing		X			6207 2RS
30	153.062.0	Spacer Bushing		X			62.5mm Long
31	910.912.0	Shim		X			56 X 72 X .3
	910.913.0	Shim		X			56 X 72 X .5
	910.914.0	Shim		X			56 X 72 X 1.0
	910.915.0	Shim		X			56 X 72 X 2.0
32	911.668.0	Circlip		X			I 72 X 2.5
33	911.133.0	Shim		X			35 X 45 X .5
	911.132.0	Shim		X			35 X 45 X .3



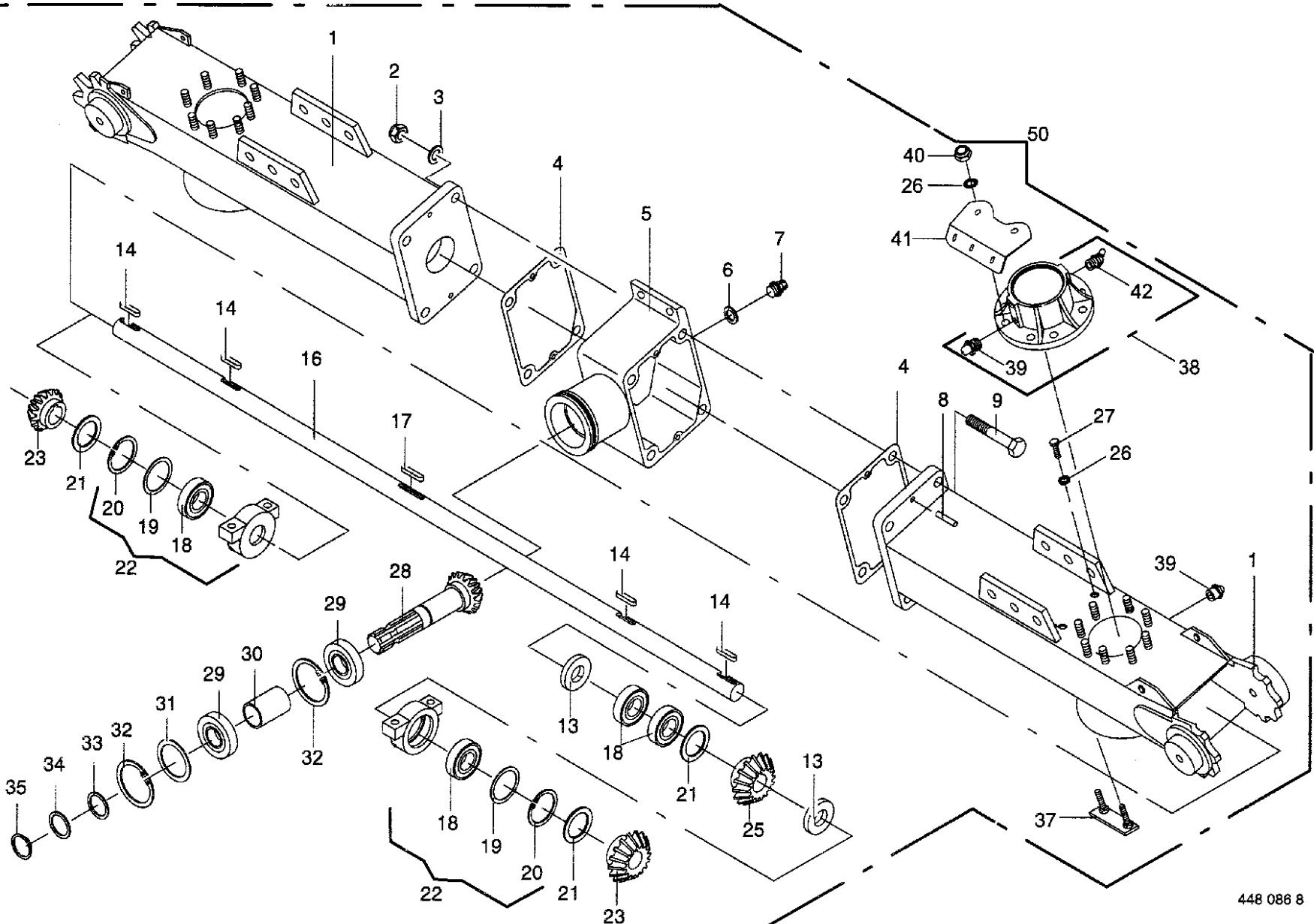
448 083 4

# Central Gearbox - KW-550



## Central Gearbox - KW-550

Item	Part Number	Description	Serial # Ranges	KW-550	KW-670	KW-770	Notes
34	911.134.0	Shim		X			35 X 45 X 1.0 S 35 X 45 X 2.5 35 X 1.5
35	910.727.0	Washer		X			
	911.541.0	Circlip		X			

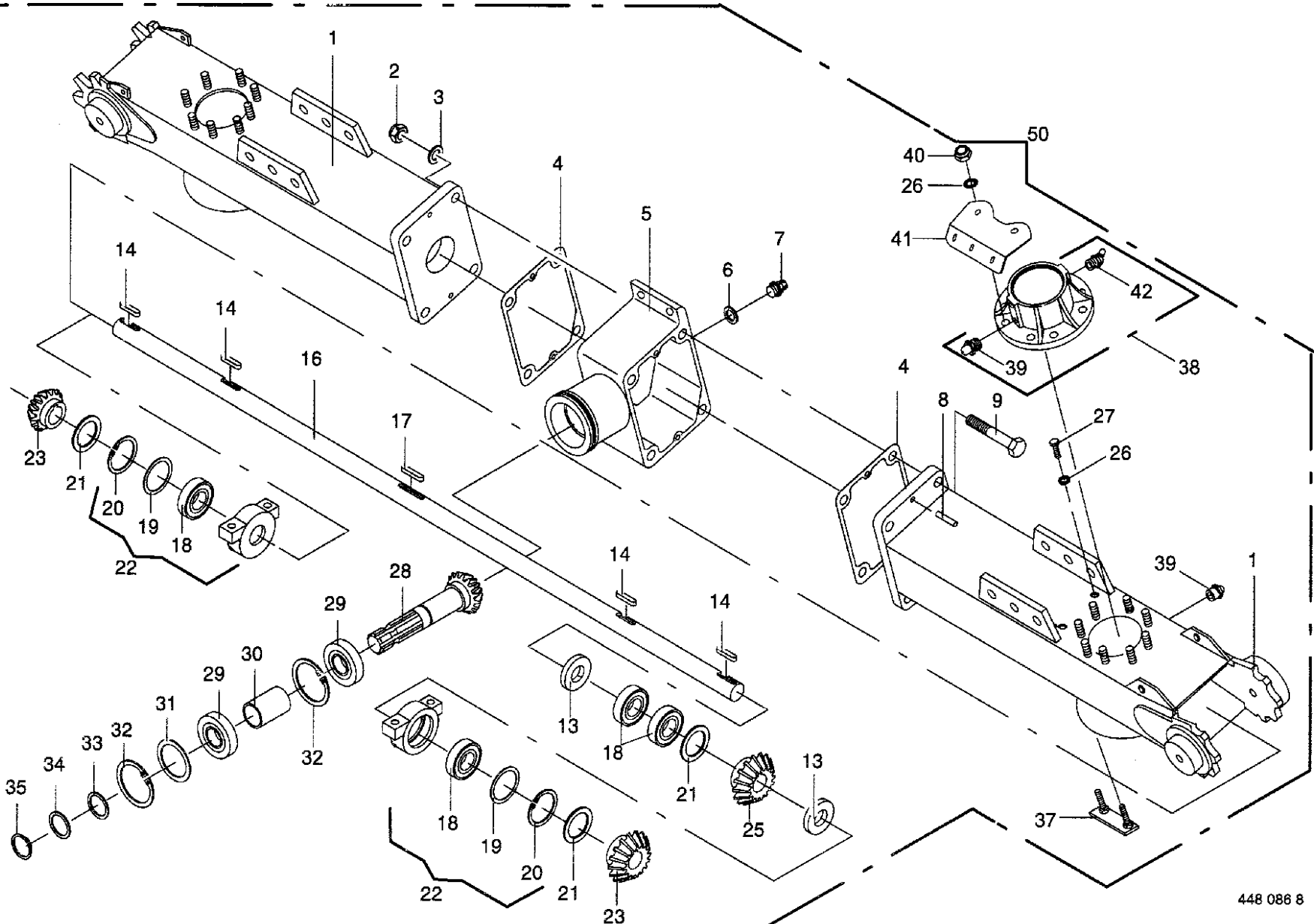


448 086 8

# Central Gearbox - KW-670/770

## Central Gearbox - KW-670/770

Item	Part Number	Description	Serial # Ranges	KW-550	KW-670	KW-770	Notes
1	260.586.0	Inner Support Tube			X		
	260.357.0	Inner Support Tube				X	
2	908.716.1	Hex Nut			X	X	NM 16
3	910.303.0	Washer			X	X	17 X 30 X 3
4	153.458.0	Gearbox Seal			X	X	T=.5mm
5	153.030.0	Gearbox Housing			X	X	
6	937.727.0	Gasket Ring			X	X	A 18 X 24 X 1.5
7	919.811.0	Breather			X	X	M18 X 1.5
8	915.742.0	Cylinder Pin			X	X	8 M6 X 20
9	901.493.0	Hex Head Bolt			X		M16 X 150
	901.495.0	Hex Head Bolt				X	M16 X 160
13	936.317.1	Radial Seal			X	X	AS 30 X 52 X 12
14	915.078.0	Flat Key			X	X	A 8 X 7 X 40
16	260.280.0	Shaft			X		Rd. 30 X 1350
	153.839.0	Shaft				X	Rd. 30 X 1600
17	915.081.0	Flat Key			X	X	B 8 X 7 X 45
18	930.536.1	Bearing			X	X	6206 2RS
19	910.902.0	Shim			X	X	50 X 62 X .3
	910.903.0	Shim			X	X	50 X 62 X .5
20	911.659.0	Circlip			X	X	I 62 X 2.0
21	910.862.0	Shim			X	X	30 X 42 X .3
	910.863.0	Shim			X	X	30 X 42 X .5
	910.864.0	Shim			X	X	30 X 42 X 1.0
	910.865.0	Shim			X	X	30 X 42 X 2.0
22	155.099.0	Bearing Complete			X		
	153.460.0	Bearing Complete				X	
23	153.005.0	Pinion			X		Z=15
	153.895.0	Pinion				X	Z=14
25	153.898.0	Bevel Wheel			X		Z=27
	153.897.0	Bevel Wheel				X	Z=30
26	909.910.0	Detent Edged Washer			X	X	SKM 12
27	901.452.0	Hex Head Bolt			X	X	M12 X 50
28	153.007.1	Pinion Shaft			X		Z=16
	153.528.0	Pinion Shaft				X	Z=16
29	930.537.0	Bearing			X	X	6207 2RS
30	153.062.0	Spacer Bushing			X	X	62.5mm Long
31	910.912.0	Shim			X	X	56 X 72 X .3
	910.913.0	Shim			X	X	56 X 72 X .5

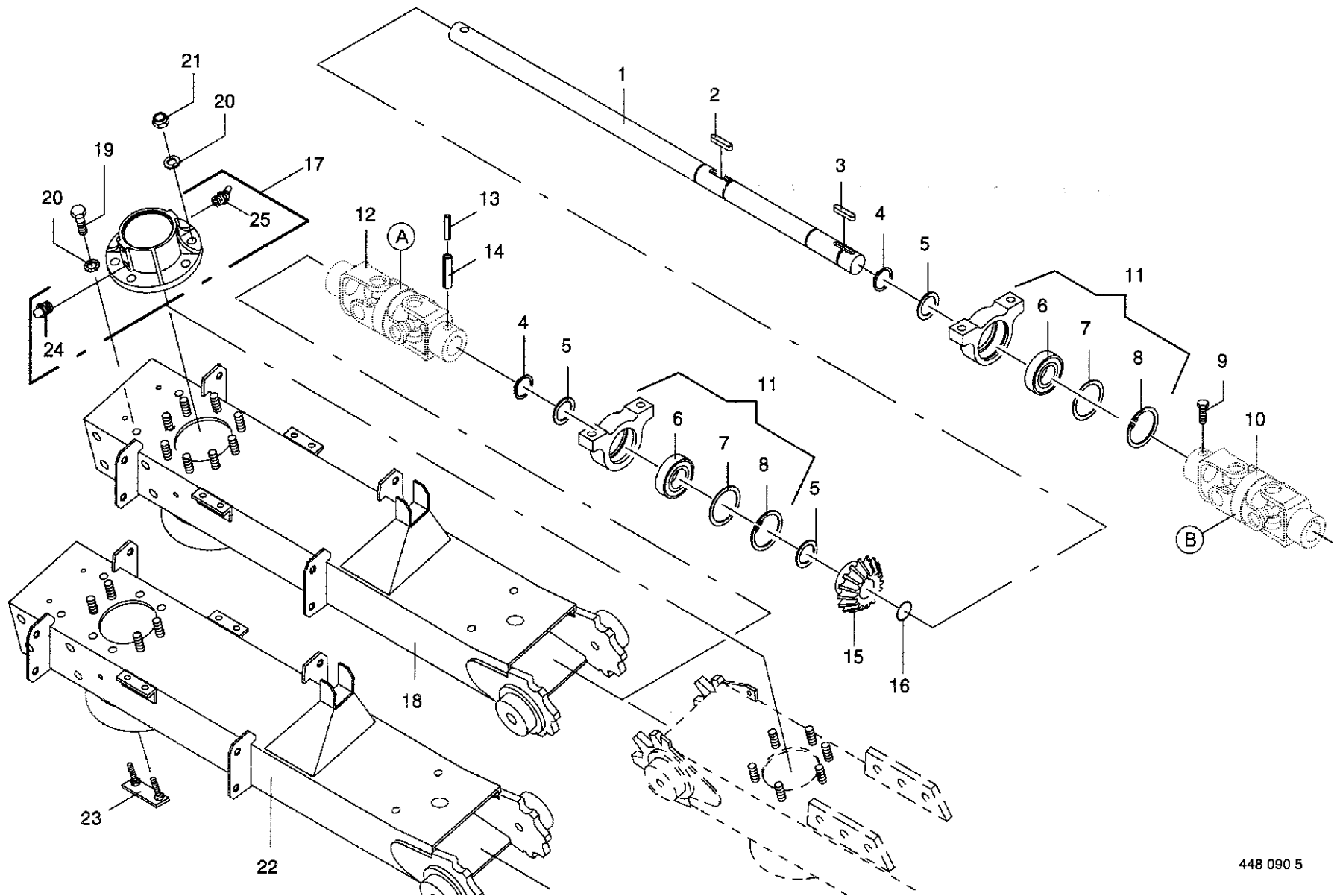


448 086 8

# Central Gearbox - KW-670/770

## Central Gearbox - KW-670/770

Item	Part Number	Description	Serial # Ranges	KW-550	KW-670	KW-770	Notes
32	910.914.0	Shim			X	X	56 X 72 X 1.0
	910.915.0	Shim			X	X	56 X 72 X 2.0
	911.668.0	Circlip			X	X	172 X 2.5
33	911.133.0	Shim			X	X	35 X 45 X .5
	911.132.0	Shim			X	X	35 X 45 X .3
34	911.134.0	Shim			X	X	35 X 45 X 1.0
	910.727.0	Washer			X	X	S 35 X 45 X 2.5
35	911.541.0	Circlip			X	X	35 X 1.5
37	260.644.0	Threaded Piece				X	
38	260.605.0	Bearing Housing			X	X	8 Hole
39	919.105.0	Grease Fitting			X	X	AM 8 X 1
40	908.701.0	Hex Nut			X	X	M12
41	260.531.0	Decal Shield			X	X	
42	919.106.0	Grease Fitting			X	X	BM 8 X 1
50	155.051.0	Center Section Complete				X	
	260.341.1	Center Section Complete			X		
	926.000.0	Semi-Fluid Gear Lubricant			X	X	

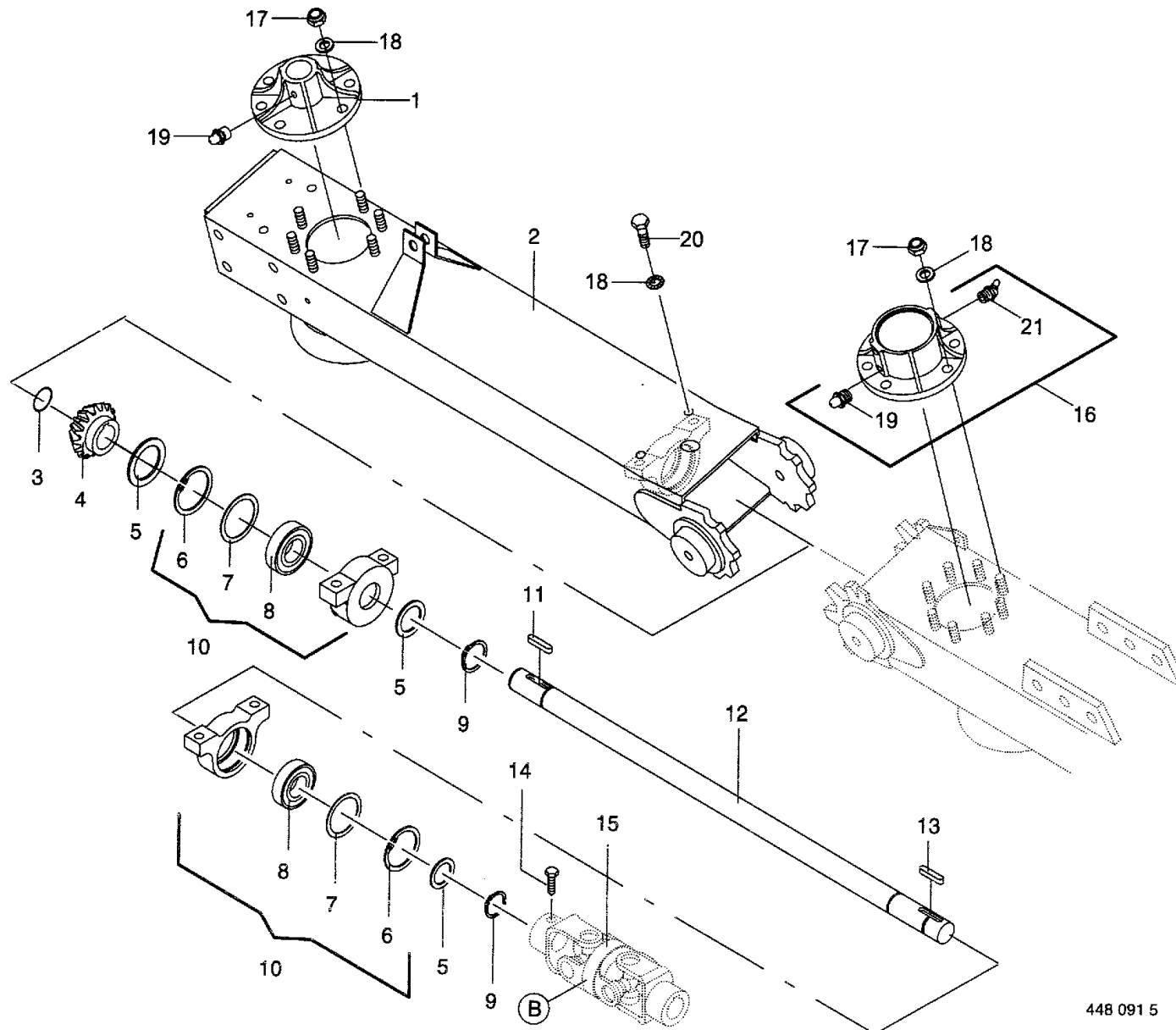


448 090 5

# Intermediate Beam - KW-670/770

## Intermediate Beam - KW-670/770

Item	Part Number	Description	Serial # Ranges	KW-550	KW-670	KW-770	Notes
1	260.281.0	Shaft			X		Rd. 30 X 1037
	153.846.0	Shaft				X	Rd. 30 X 1230
2	915.073.0	Flat Key			X	X	B 8 X 7 X 32
3	915.078.0	Flat Key			X	X	A 8 X 7 X 40
4	911.536.0	Circlip			X	X	30 X 2.0
5	910.865.0	Shim			X	X	30 X 42 X 2.0
	910.864.0	Shim			X	X	30 X 42 X 1.0
	910.863.0	Shim			X	X	30 X 42 X .5
	910.862.0	Shim			X	X	30 X 42 X .3
6	930.536.1	Bearing			X	X	6206 2RS
7	910.904.0	Shim			X	X	50 X 62 X 1.0
	910.903.0	Shim			X	X	50 X 62 X .5
	910.902.0	Shim			X	X	50 X 62 X .3
8	911.659.0	Circlip			X	X	1 62 X 2.0
9	902.402.0	Hex Head Bolt			X	X	BM 10 X 16
10	949.154.1	Wide Angle Universal Joint Complete			X	X	Gr. 2
11	155.099.0	Bearing			X	X	
12	949.153.0	Wide Angle Universal Joint Complete			X	X	Gr. 2
13	912.650.0	Roll Pin			X	X	6 X 70
14	912.720.0	Roll Pin			X	X	10 X 70
15	153.005.0	Pinion			X		Z=15
	153.895.0	Pinion				X	Z=14
16	911.816.0	Snap Ring			X	X	A 30
17	260.605.0	Bearing Housing			X	X	8 Hole
18	260.589.0	Intermediate Beam			X		
19	901.452.0	Hex Head Bolt			X	X	M12 X 50
20	909.910.0	Detent Edged Washer			X	X	SKM 12
21	908.701.0	Hex Nut			X	X	M12
22	260.592.0	Intermediate Beam				X	
23	260.644.0	Threaded Piece				X	
24	919.105.0	Grease Fitting			X	X	AM 8 X 1
25	919.106.0	Grease Fitting			X	X	BM 8 X 1



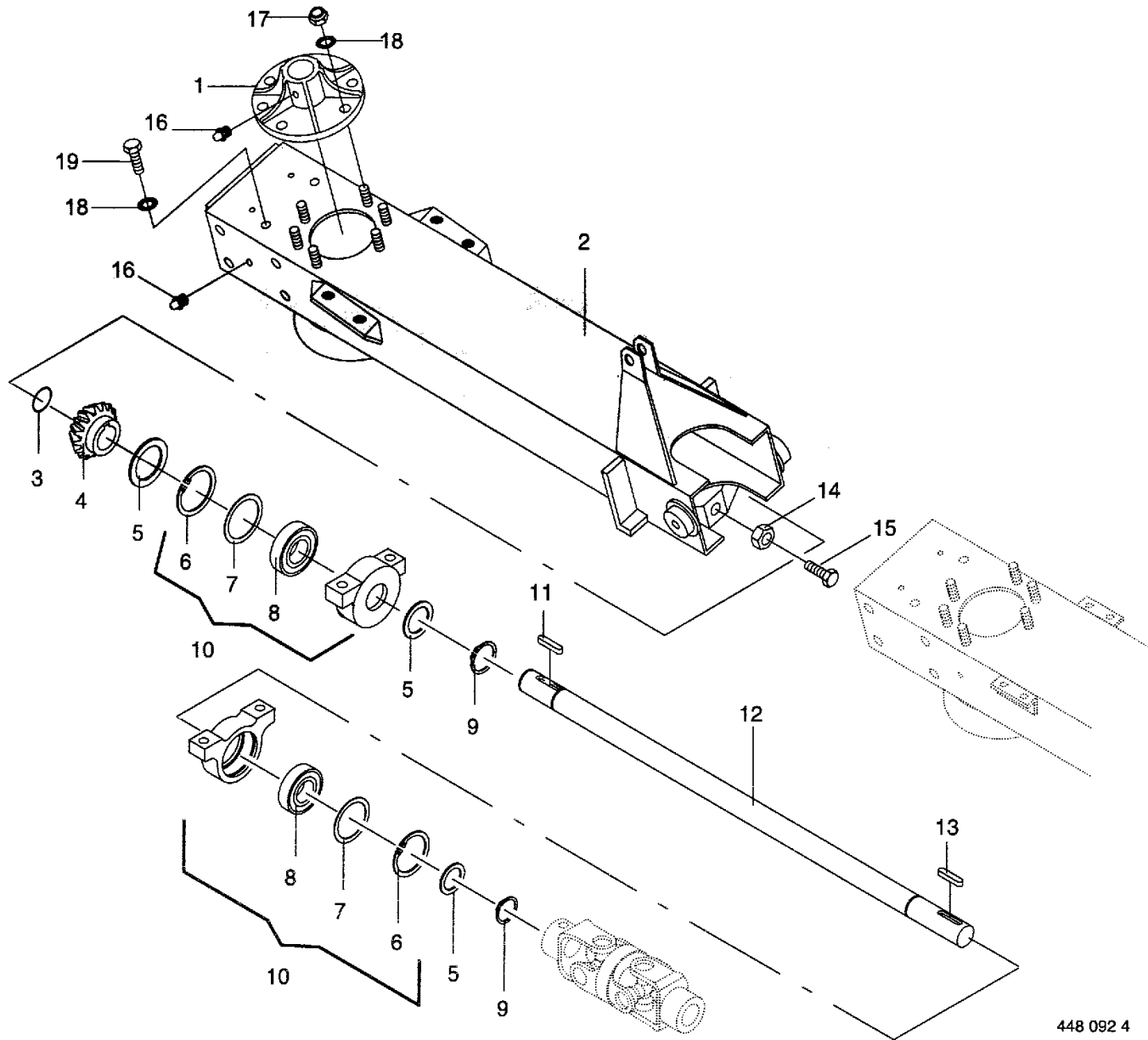
448 091 5

# Outer Support Tube - KW-550



## Outer Support Tube - KW-550

Item	Part Number	Description	Serial # Ranges	KW-550	KW-670	KW-770	Notes
1	153.028.0	Bearing Housing		X			Includes Item 19  A 30 Z=14 30 X 42 X 2.0
2	153.828.0	Outer Support Tube		X			
3	911.816.0	Snap Ring		X			
4	153.895.0	Pinion		X			
5	910.865.0	Shim		X			
	910.864.0	Shim		X			30 X 42 X 1.0
	910.863.0	Shim		X			30 X 42 X .5
	910.862.0	Shim		X			30 X 42 X .3
6	911.659.0	Circlip		X			1 62 X 2.0
7	910.904.0	Shim		X			50 X 62 X 1.0
	910.903.0	Shim		X			50 X 62 X .5
	910.902.0	Shim		X			50 X 62 X .3
8	930.536.1	Bearing		X			6206 2RS
9	911.536.0	Circlip		X			30 X 2.0
10	155.099.0	Bearing		X			
11	915.073.0	Flat Key		X			B 8 X 7 X 32
12	153.844.0	Shaft		X			Rd. 30 X 1040
13	915.078.0	Flat Key		X			A 8 X 7 X 40
14	902.402.0	Hex Head Bolt		X			BM 10 X 16
15	949.154.1	Wide Angle Universal Joint Complete	483801-493171	X			Gr. 2
	955.916.0	Wide Angle Universal Joint Complete	493172-	X			Gr. 2
16	260.605.0	Bearing Housing		X			8 Hole
17	908.701.0	Hex Nut		X			M12
18	909.910.0	Detent Edged Washer		X			SKM 12
19	919.105.0	Grease Fitting		X			AM 8 X 1
20	901.452.0	Hex Head Bolt		X			M12 X 50
21	919.106.0	Grease Fitting		X			BM 8 X 1

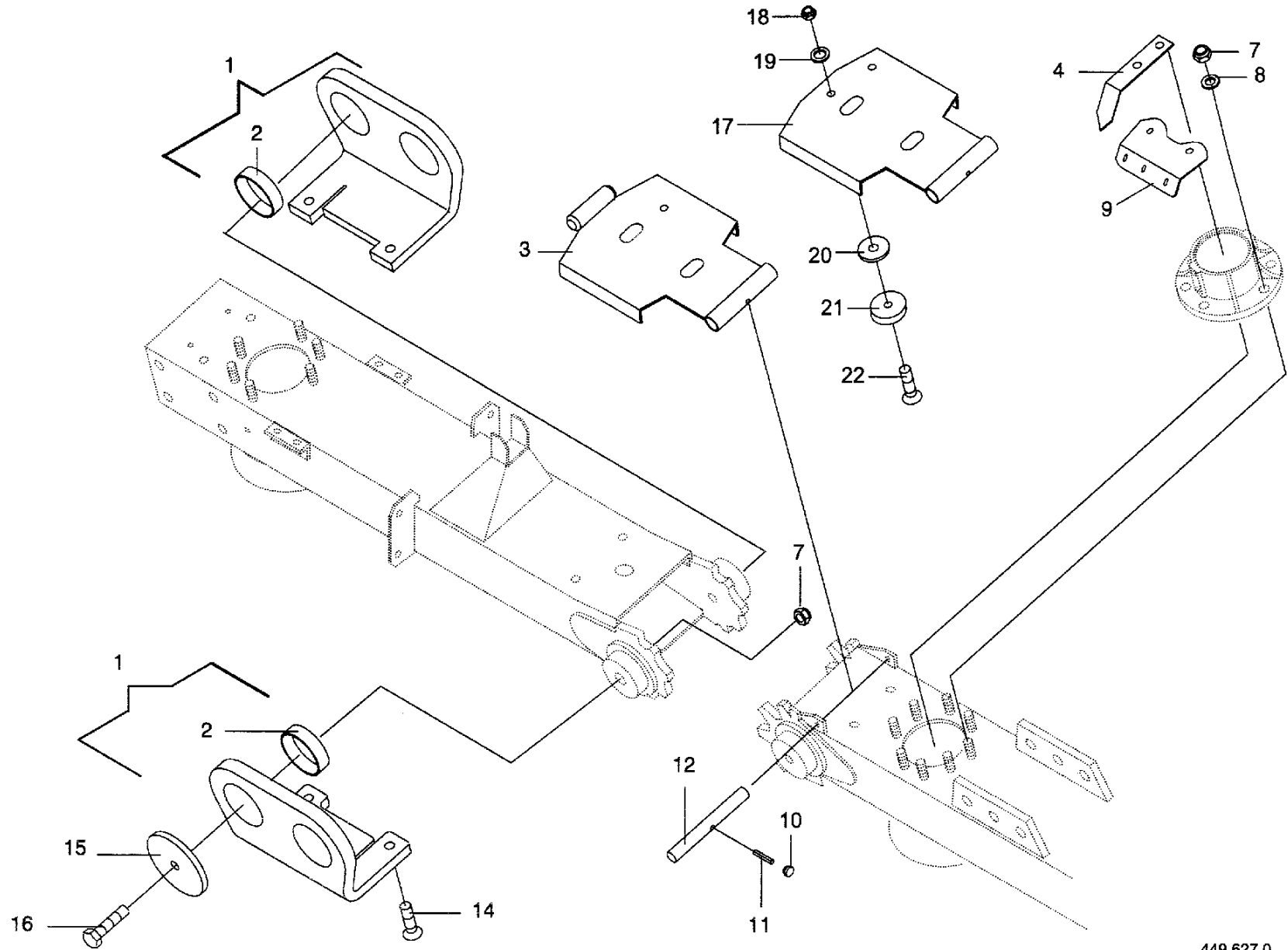


448 092 4

# Outer Support Tube - KW-670/770

## Outer Support Tube - KW-670/770

Item	Part Number	Description	Serial # Ranges	KW-550	KW-670	KW-770	Notes
1	153.028.0	Bearing Housing			X	X	Includes Item 16
2	260.271.0	Outer Support Tube			X		
	153.826.0	Outer Support Tube				X	
3	911.816.0	Snap Ring			X	X	
4	153.005.0	Pinion			X		A 30 Z=15
	153.895.0	Pinion				X	Z=14
5	910.865.0	Shim			X	X	30 X 42 X 2.0
	910.864.0	Shim			X	X	30 X 42 X 1.0
	910.863.0	Shim			X	X	30 X 42 X .5
	910.862.0	Shim			X	X	30 X 42 X .3
6	911.659.0	Circlip			X	X	1 62 X 2.0
7	910.904.0	Shim			X	X	50 X 62 X 1.0
	910.903.0	Shim			X	X	50 X 62 X .5
	910.902.0	Shim			X	X	50 X 62 X .3
8	930.536.1	Bearing			X	X	6206 2RS
9	911.536.0	Circlip			X	X	30 X 2.0
10	155.099.0	Bearing			X	X	
11	915.073.0	Flat Key			X	X	B 8 X 7 X 32
12	260.282.0	Shaft			X		Rd. 30 X 645
	153.842.0	Shaft				X	Rd. 30 X 802
13	915.084.1	Flat Key			X	X	A 8 X 7 X 56
14	908.220.0	Hex Nut			X	X	M16
15	900.677.0	Hex Head Bolt			X	X	M16 X 50
16	919.105.0	Grease Fitting			X	X	AM 8 X 1
17	908.701.0	Hex Nut			X	X	M12
18	909.910.0	Detent Edged Washer			X	X	SKM 12
19	901.452.0	Hex Head Bolt			X	X	M12 X 50

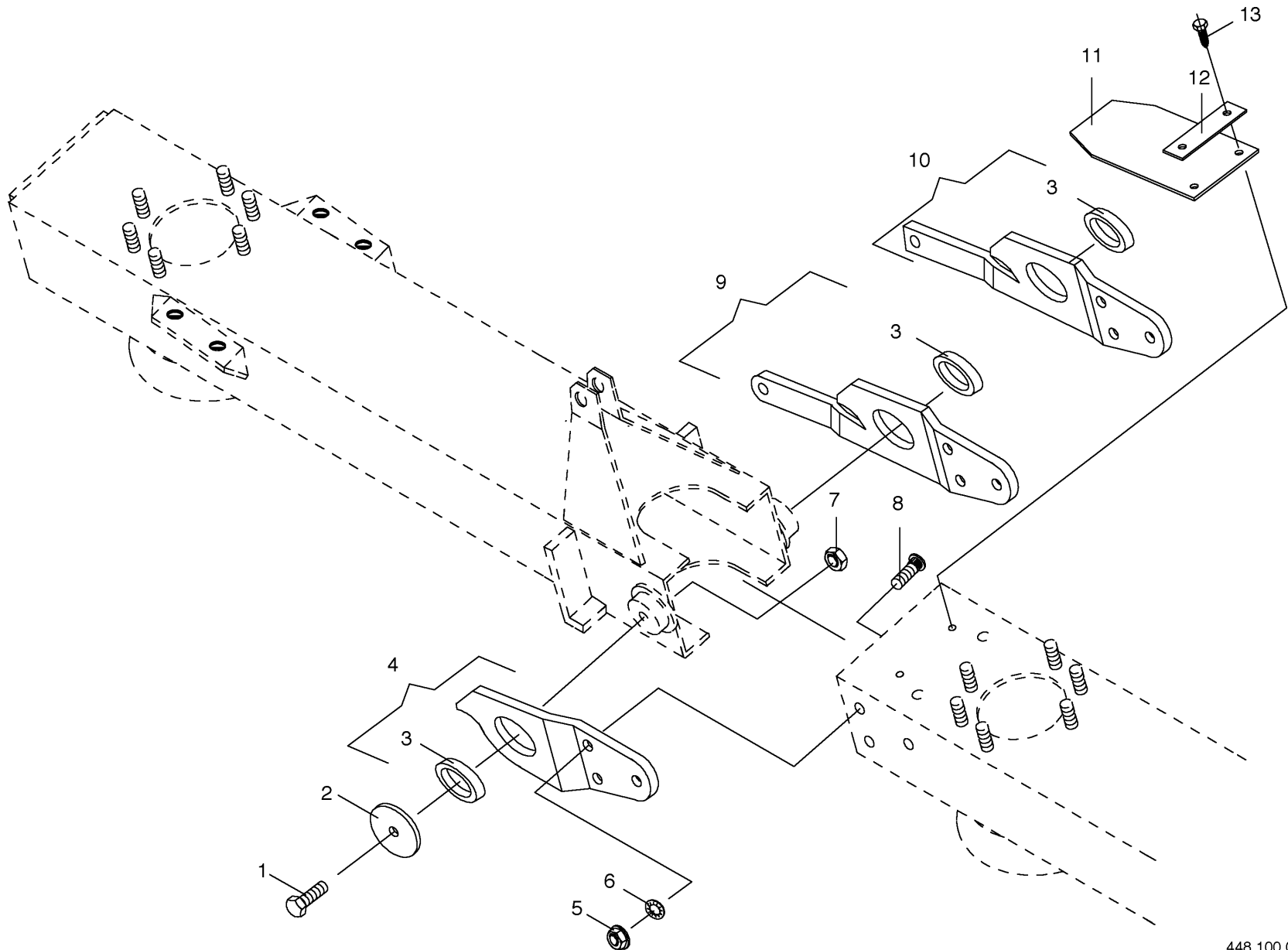


449 627 0

# Inner Hinge Point

## Inner Hinge Point

Item	Part Number	Description	Serial # Ranges	KW-550	KW-670	KW-770	Notes
1	153.950.0	Hinge		X	X	X	5012 DU
2	934.904.0	Bearing Bushing		X	X	X	
3	153.925.0	Cover			X	X	
4	153.442.1	Pointer		X	X	X	
7	908.701.0	Hex Nut		X	X	X	
							M12
8	909.910.0	Detent Edged Washer		X	X	X	SKM 12
9	260.531.0	Decal Shield		X	X	X	
10	925.021.0	Plastic Guard		X	X	X	
11	912.639.0	Roll Pin		X	X	X	
12	153.928.0	Pin		X	X	X	
14	904.092.1	Countersunk Screw		X	X	X	M16 X 25 13 X 70 X 6 M12 X 45
15	910.642.0	Washer		X	X	X	
16	901.451.0	Hex Head Bolt		X	X	X	
17	153.541.0	Cover		X			
18	908.758.0	Hex Nut		X			
19	910.414.0	Washer		X			A 10.5 13.5 X 44 X 4
20	910.643.0	Washer		X			
21	347.212.1	Rubber		X			
22	904.850.1	Flat Round Bolt		X			
							M10 X 25

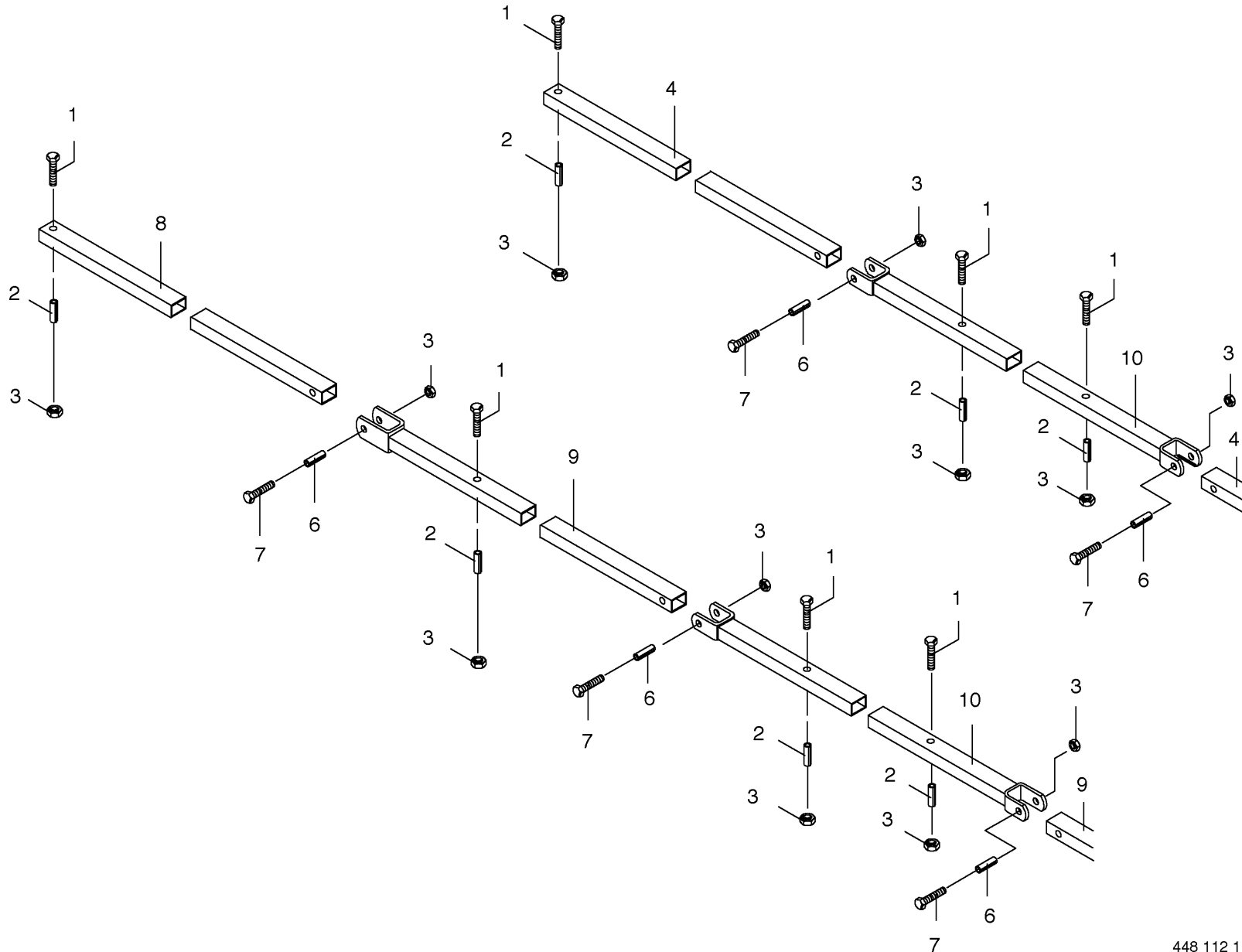


# Central Hinge Point - KW-670/770

448 100 0

## Central Hinge Point - KW-670/770

Item	Part Number	Description	Serial # Ranges	KW-550	KW-670	KW-770	Notes
1	901.451.0	Hex Head Bolt			X	X	M12 X 45
2	910.642.0	Washer			X	X	13 X 70 X 6
3	934.904.0	Bearing Bushing			X	X	5012 DU
4	155.011.0	Hinge			X	X	
5	908.003.0	Nut			X	X	B 12 X 1.5
6	909.910.0	Detent Edged Washer			X	X	SKM 12
7	908.701.0	Hex Nut			X	X	M12
8	910.251.1	Wheel Pin			X	X	M12 X 1.5 X 36
9	155.012.0	Hinge				X	
10	260.285.0	Hinge			X		
11	153.483.1	Rubber Plate			X	X	
12	153.484.1	Clamping Strap			X	X	
13	906.983.1	Self-Tapping Screw			X	X	B 8 X 22

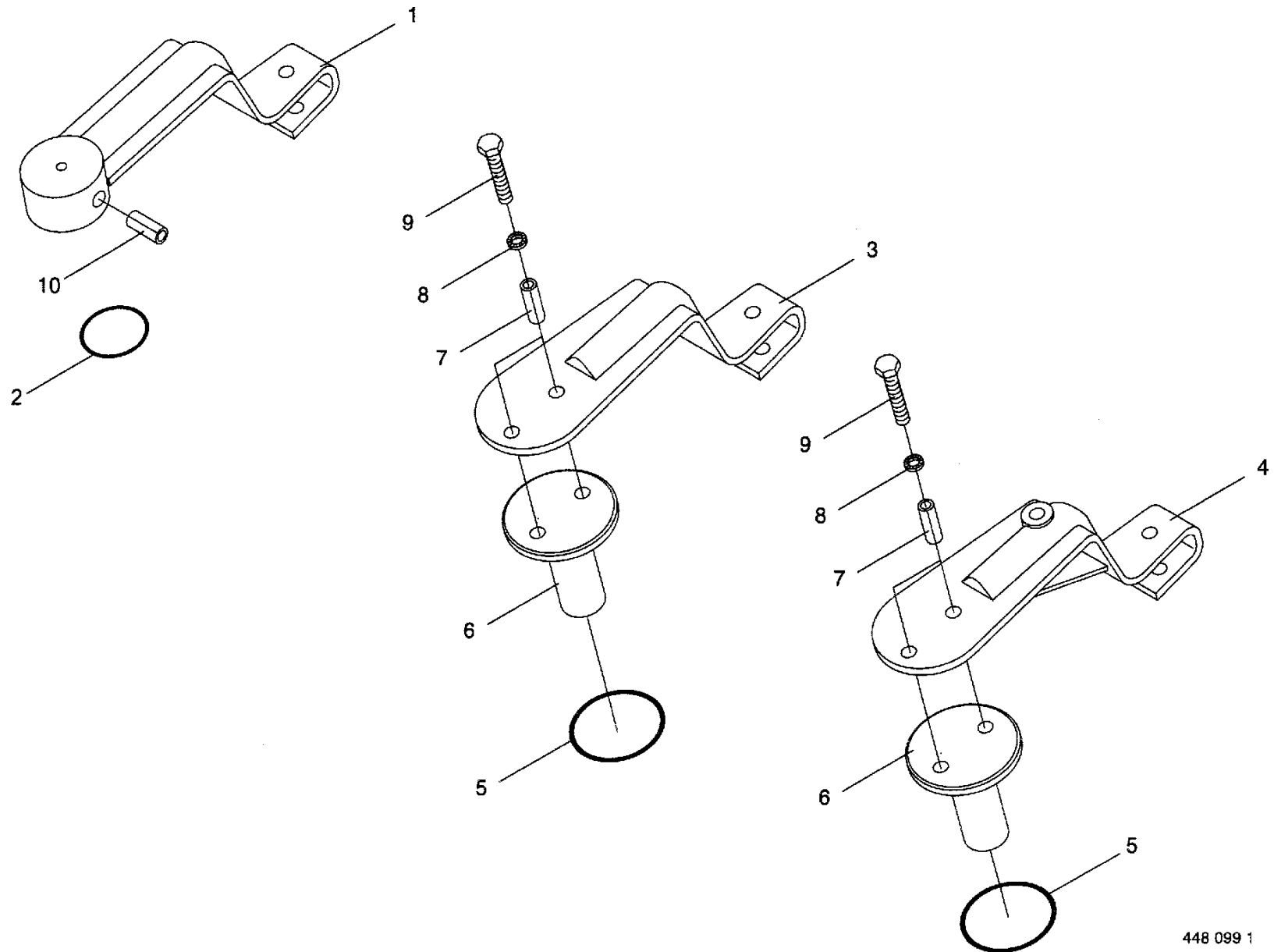


**Angle Adjustment Rod**



## Angle Adjustment Rod

Item	Part Number	Description	Serial # Ranges	KW-550	KW-670	KW-770	Notes
1	901.434.0	Hex Head Bolt		X	X	X	M10 X 55
2	912.502.0	Roll Pin		X	X	X	12 X 40
3	908.758.0	Hex Nut		X	X	X	M10
4	153.082.0	Outer Tube		X			
6	912.504.0	Roll Pin		X	X	X	12 X 50
7	901.436.0	Hex Head Bolt		X	X	X	M10 X 65
8	260.288.0	Outer Tube			X		
	155.017.0	Outer Tube				X	
9	260.287.0	Tube			X		
	155.016.0	Tube				X	
10	260.286.0	Inner Tube			X		
	155.014.2	Inner Tube		X		X	

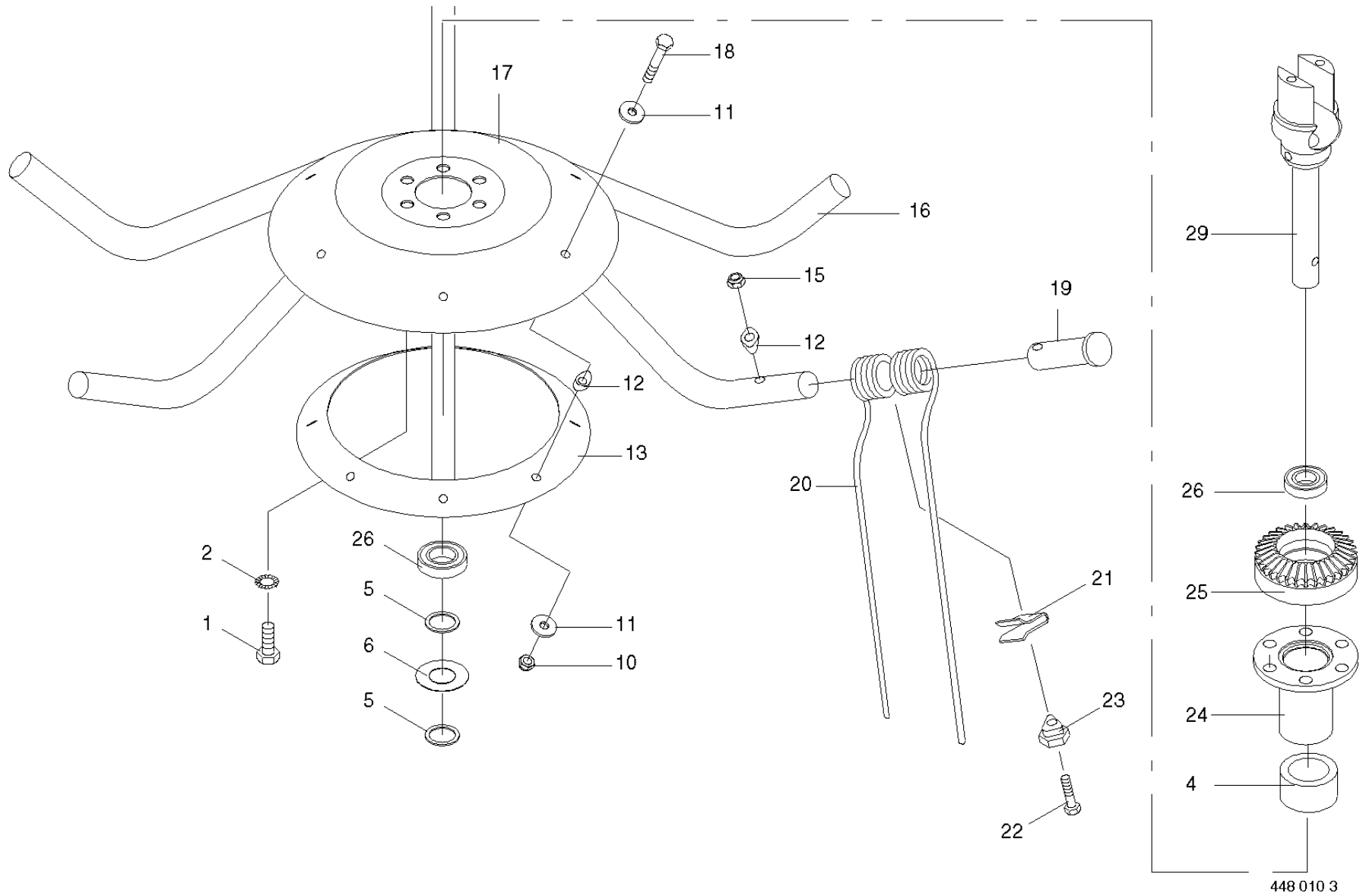


# Angle Adjusting Levers

448 099 1

## Angle Adjusting Levers

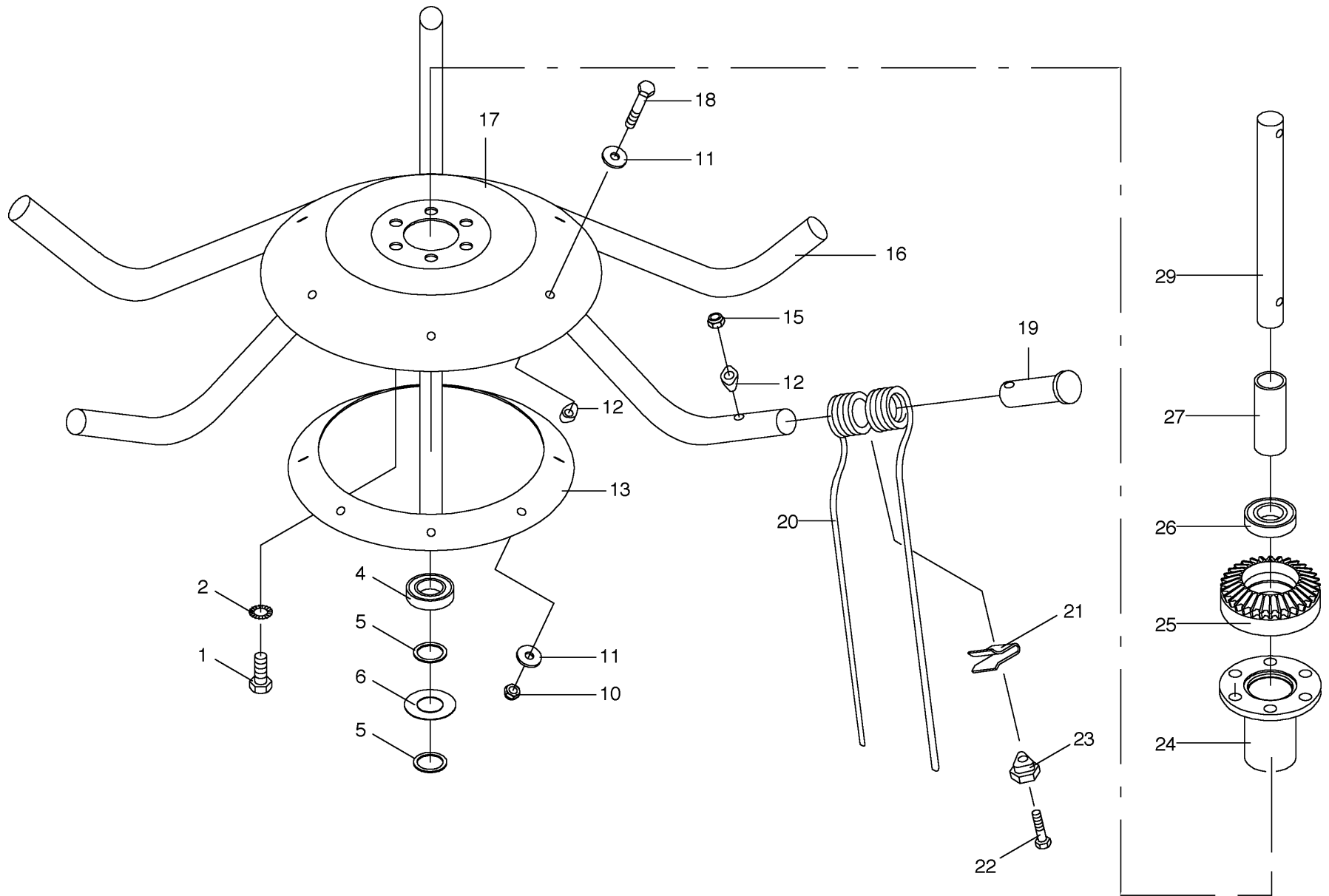
Item	Part Number	Description	Serial # Ranges	KW-550	KW-670	KW-770	Notes
1	153.053.1	Outside Lever		X	X	X	Or. 35 X 2.5
2	937.502.0	O-Ring		X	X	X	
3	260.606.0	Center Lever		X	X	X	
4	260.607.0	Cylinder Lever		X	X	X	
5	937.555.0	O-Ring		X	X	X	
							Or. 74.5 X 3
6	260.604.0	Locating Disc		X	X	X	Rd. 95 X 100
7	912.501.0	Roll Pin		X	X	X	12 X 30
8	909.909.0	Detent Edged Washer		X	X	X	SKM 10
9	901.013.0	Hex Head Bolt		X	X	X	M10 X 50-10.9
10	912.747.1	Roll Pin		X	X	X	12 X 55
	912.660.1	Roll Pin		X	X	X	7 X 55



# Inner Rotors

## Inner Rotors

Item	Part Number	Description	Serial # Ranges	KW-550	KW-670	KW-770	Notes
1	900.675.0	Hex Head Bolt		X	X	X	M16 X 40
2	909.912.0	Detent Edged Washer		X	X	X	SKM 16
4	155.090.0	Bushing		X	X	X	
5	911.136.1	Shim		X	X	X	35 X 45 X 2.0
	911.134.0	Shim		X	X	X	35 X 45 X 1.0
	911.133.0	Shim		X	X	X	35 X 45 X .5
	911.132.0	Shim		X	X	X	35 X 45 X .3
6	153.516.0	End Washer		X	X	X	35.5 X 70 X 1
10	908.701.0	Hex Nut		X	X	X	M12
11	910.609.0	Washer		X	X	X	13 X 37 X 3
12	153.021.0	Shim		X	X	X	
13	153.517.2	Reinforcing Ring			X		6 Hole
	153.534.1	Reinforcing Ring		X		X	7 Hole
15	908.701.0	Hex Nut		X	X	X	M12
16	260.260.0	Tine Arm			X		
	153.065.2	Tine Arm		X			
	155.001.0	Tine Arm				X	
17	155.033.0	Rotor Plate			X		6 Hole
	153.533.0	Rotor Plate		X		X	7 Hole
18	901.122.0	Hex Head Bolt		X	X	X	M12 X 70
19	153.037.0	Plastic Guard		X	X	X	
20	153.015.1	Tine CCW Rotation		14	18	21	Beige
	153.014.1	Tine CW Rotation		14	18	21	Green
21	260.504.0	Clip		X	X	X	
22	900.227.0	Hex Head Bolt		X	X	X	M12 X 80
23	260.505.0	Eccentric		X	X	X	
24	155.096.0	Rotor Hub			X		6 Hole
	155.097.0	Rotor Hub		X		X	7 Hole
25	153.006.1	Bevel Wheel			X		Z=30, M=4.5
	153.896.0	Bevel Wheel		X		X	Z=28, M=4.75
26	930.537.0	Bearing		X	X	X	6207 2RS
29	260.603.0	Rotor Bearing		X	X	X	

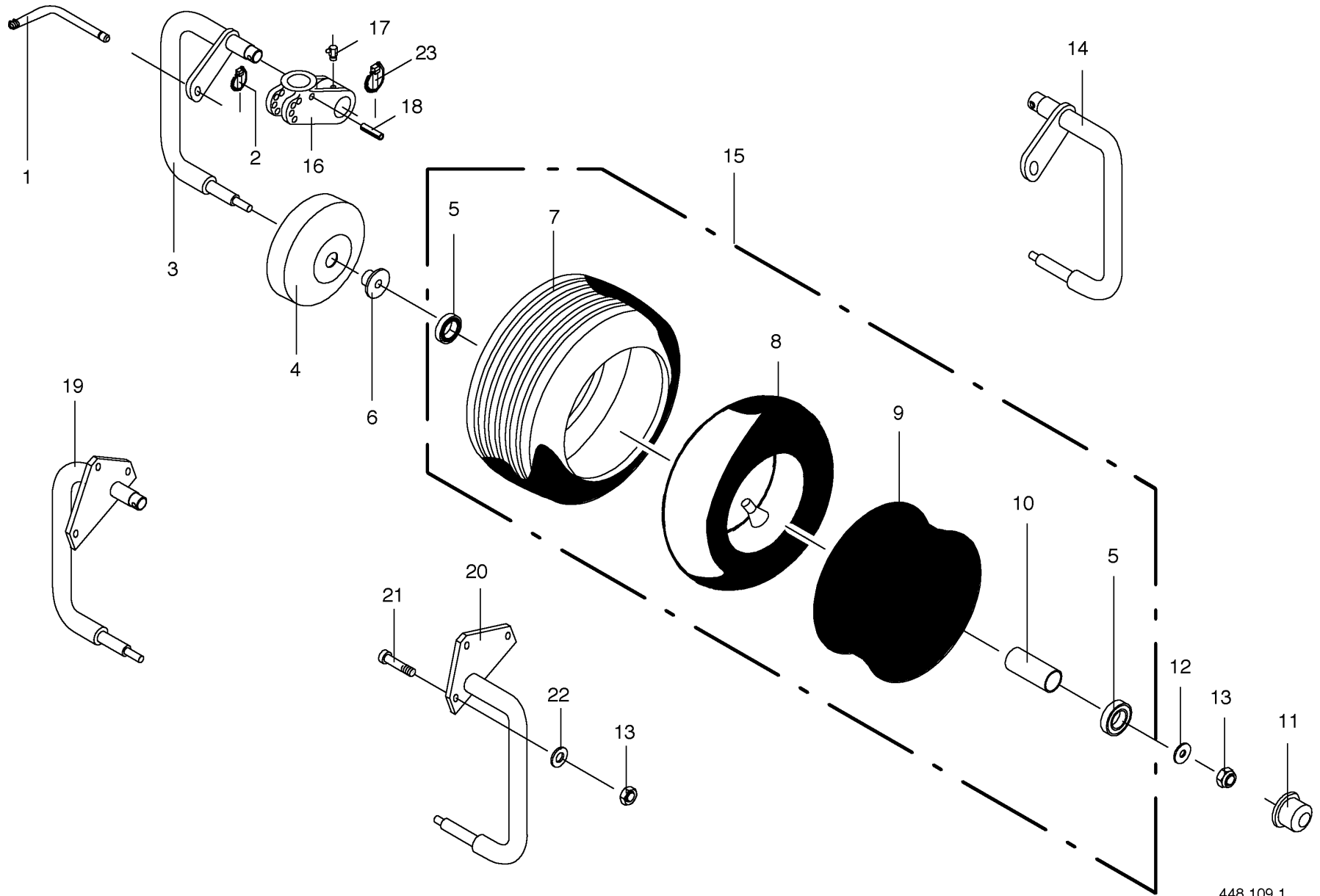


448 013 2

# Outer Rotors

## Outer Rotors

Item	Part Number	Description	Serial # Ranges	KW-550	KW-670	KW-770	Notes
1	900.675.0	Hex Head Bolt		X	X	X	M16 X 40
2	909.912.0	Detent Edged Washer		X	X	X	SKM 16
4	930.507.0	Bearing		X	X	X	6007 2RS
5	911.136.1	Shim		X	X	X	35 X 45 X 2.0
	911.134.0	Shim		X	X	X	35 X 45 X 1.0
	911.133.0	Shim		X	X	X	35 X 45 X .5
	911.132.0	Shim		X	X	X	35 X 45 X .3
6	153.516.0	End Washer		X	X	X	35.5 X 70 X 1
10	908.701.0	Hex Nut		X	X	X	M12
11	910.609.0	Washer		X	X	X	13 X 37 X 3
12	153.021.0	Shim		X	X	X	
13	153.517.2	Reinforcing Ring			X		6 Hole
	153.534.1	Reinforcing Ring		X		X	7 Hole
15	908.701.0	Hex Nut		X	X	X	M12
16	260.260.0	Tine Arm			X		
	153.065.2	Tine Arm		X			
	155.001.0	Tine Arm				X	
17	155.033.0	Rotor Plate			X		6 Hole
	153.533.0	Rotor Plate		X		X	7 Hole
18	901.122.0	Hex Head Bolt		X	X	X	M12 X 70
19	153.037.0	Plastic Guard		X	X	X	
20	153.015.1	Tine CCW Rotation		14	18	21	Beige
	153.014.1	Tine CW Rotation		14	18	21	Green
21	260.504.0	Clip		X	X	X	
22	900.227.0	Hex Head Bolt		X	X	X	M12 X 80
23	260.505.0	Eccentric		X	X	X	
24	153.058.2	Rotor Hub			X		6 Hole
	153.535.0	Rotor Hub		X		X	7 Hole
25	153.006.1	Bevel Wheel			X		Z=30, M=4.5
	153.896.0	Bevel Wheel		X		X	Z=28, M=4.75
26	930.537.0	Bearing		X	X	X	6207 2RS
27	153.063.1	Spacer Bushing		X	X	X	
29	153.061.1	Rotor Bearing		X	X	X	Rd. 35 X 378



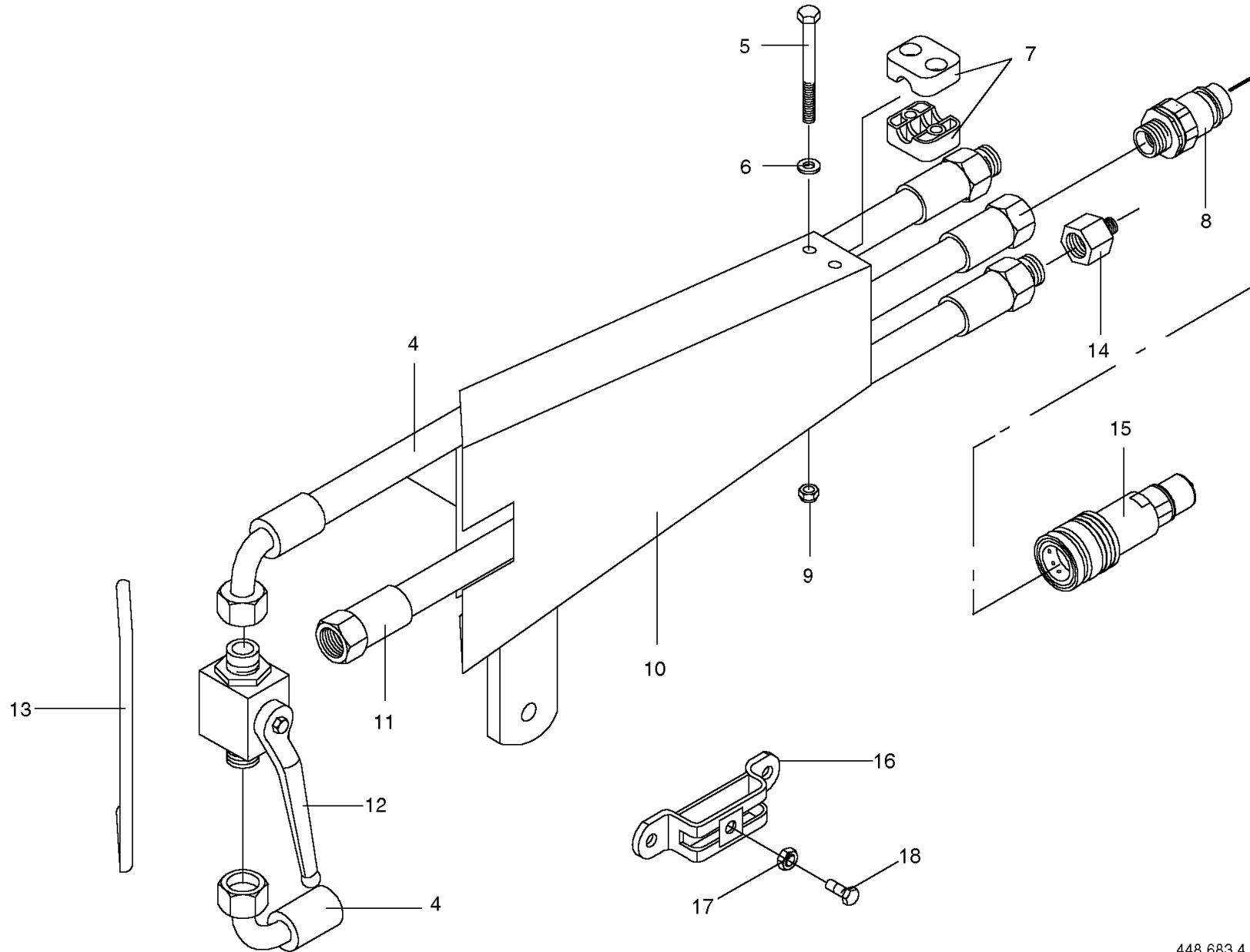
# Wheels

448 109 1



## Wheels

Item	Part Number	Description	Serial # Ranges	KW-550	KW-670	KW-770	Notes
1	260.600.0	Safety Pin		X	X	X	5 X 32
2	917.004.1	Lynch Pin		X	X	X	
3	155.049.0	Support Arm Right		X	X	X	
4	153.880.0	Guard		X	X	X	
5	930.535.0	Bearing		X	X	X	
							6205 2RS
6	938.832.0	Gasket Ring		X	X	X	48/25 X 13.5
7	953.249.1	Tire		X	X	X	16 X 6.50-8 6 PR
8	953.328.0	Tube		X	X	X	16 X 6.50-8 TR 13
9	953.158.0	Rim		X	X	X	5.50 A-8
10	938.831.0	Distance Tube		X	X	X	30 X 1.5 X 34
11	938.833.0	Wheel Cap		X	X	X	52
12	910.609.0	Washer		X	X	X	13 X 37 X 3
13	908.701.0	Hex Nut		X	X	X	M12
14	155.048.0	Support Arm Left		X	X	X	
15	953.058.1	Wheel Complete		X	X	X	16 X 6.50-8 6 PR
16	153.029.1	Axle Support		X	X	X	
17	919.107.0	Grease Fitting		X	X	X	CM 8 X 1
18	912.747.1	Roll Pin		X	X	X	12 X 55
	912.660.1	Roll Pin		X	X	X	7 X 55
19	155.075.0	Support Arm Right				X	
20	155.074.0	Support Arm Left				X	
21	903.137.1	Allen Screw				X	M12 X 25
22	910.506.0	Washer				X	13 X 24 X 2.5
23	917.011.0	Lynch Pin		X	X	X	10 X 45

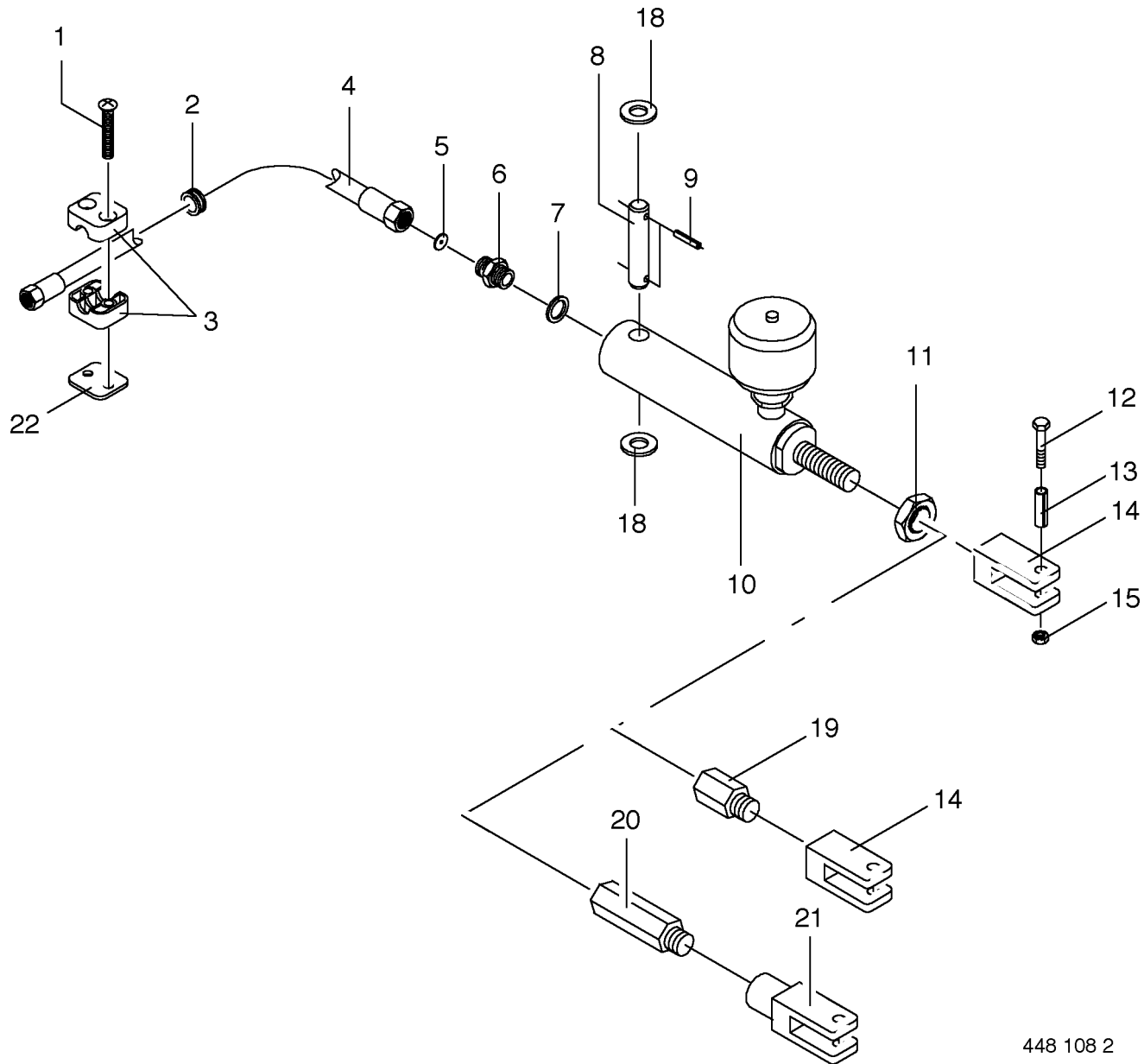


# Hydraulic Valve

448 683 4

## Hydraulic Valve

Item	Part Number	Description	Serial # Ranges	KW-550	KW-670	KW-770	Notes
4	920.970.0	Hydraulic Hose		X	X	X	2000mm Long
5	901.159.0	Hex Head Bolt		X	X	X	M6 X 120
6	910.411.1	Washer		X	X	X	A 6.4
7	925.101.1	Clamp		X	X	X	14 Bo.
8	921.145.0	Plug		X	X	X	M18 X 1.5
9	908.704.1	Hex Nut		X	X	X	M6
10	153.536.0	Guard		X	X	X	
11	920.969.0	High Pressure Hose		X	X	X	1500mm Long
12	344.524.0	3-Way Valve		X	X	X	
13	925.111.0	Edge Protection		X	X	X	
14	921.083.1	Reducer		X	X	X	KOR 12/6-PL
15	921.276.0	Adapter		X	X	X	
16	953.715.0	Holder		X	X	X	
17	908.212.0	Hex Nut		X	X	X	M10
18	900.636.0	Hex Head Bolt		X	X	X	M10 X 25

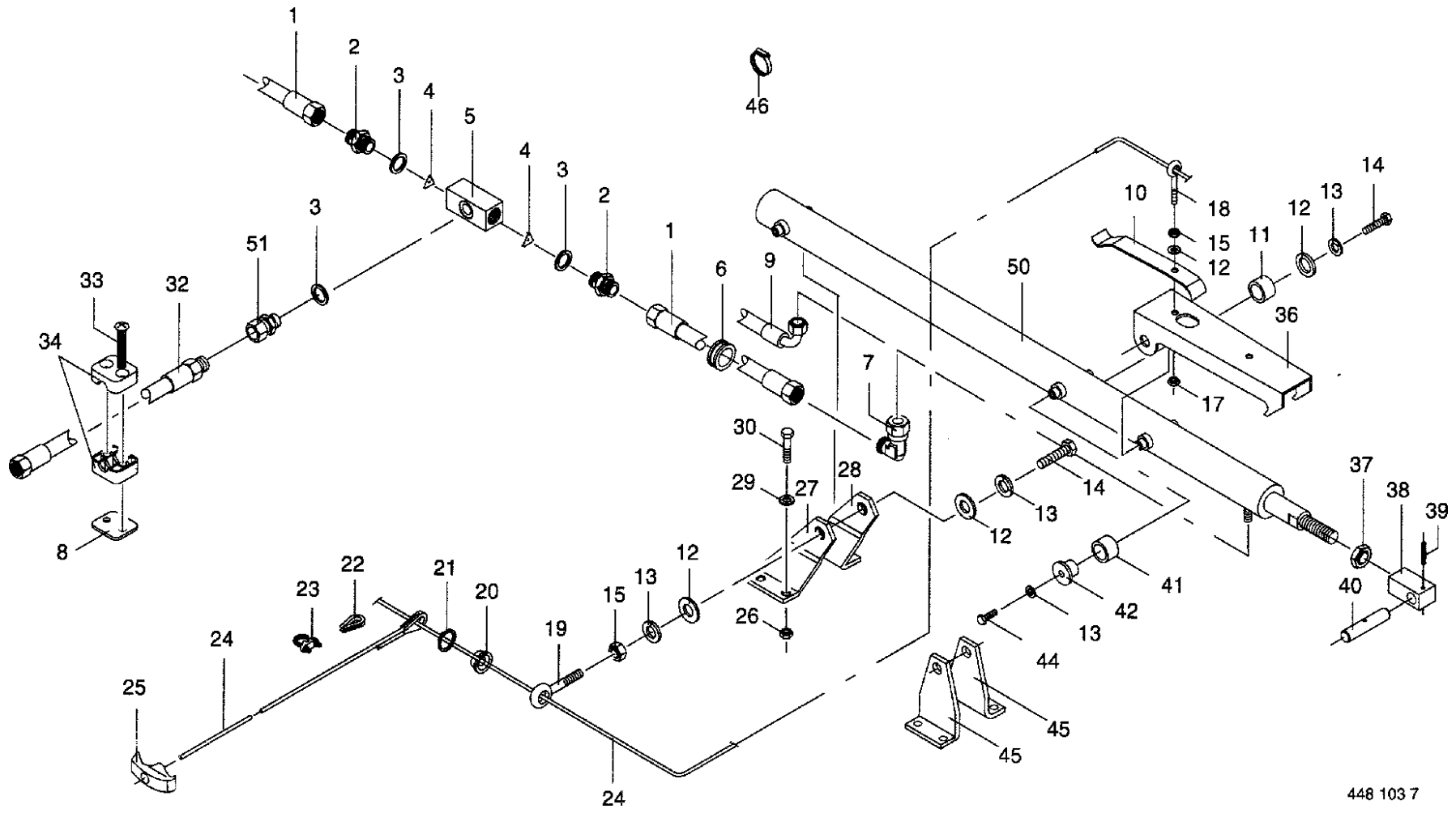


448 108 2

# Angle Adjustment Hydraulics

## Angle Adjustment Hydraulics

Item	Part Number	Description	Serial # Ranges	KW-550	KW-670	KW-770	Notes
1	906.802.2	Self-Tapping Screw		X	X	X	B 4.8 X 45
2	924.208.0	Cable Bushing		X	X	X	14/20
3	925.101.1	Clamp		X	X	X	14 Bo.
4	921.025.2	High Pressure Hose			X	X	1500mm Long
	920.978.0	High Pressure Hose		X			1800mm Long
5	344.692.4	Washer		X	X	X	.8 X 6.5 X 1
6	921.059.1	Male Connector		X	X	X	L 6
7	937.712.0	Gasket Ring		X	X	X	
8	153.088.0	Pin		X	X	X	25 X 104
9	912.670.0	Roll Pin		X	X	X	8 X 40
10	153.490.1	Hydraulic Cylinder		X	X	X	
11	908.525.1	Hex Nut		X	X	X	M20
12	901.434.0	Hex Head Bolt		X	X	X	M10 X 55
13	912.502.0	Roll Pin		X	X	X	12 X 40
14	153.476.0	Clevis		X	X	X	88mm Long
15	908.758.0	Hex Nut		X	X	X	M10
18	910.514.1	Washer		X	X	X	26 X 44 X 4
19	260.291.0	Extension			X		
20	155.026.0	Extension				X	
21	153.477.0	Clevis				X	118mm Long
22	925.145.0	Cover Plate		X	X	X	

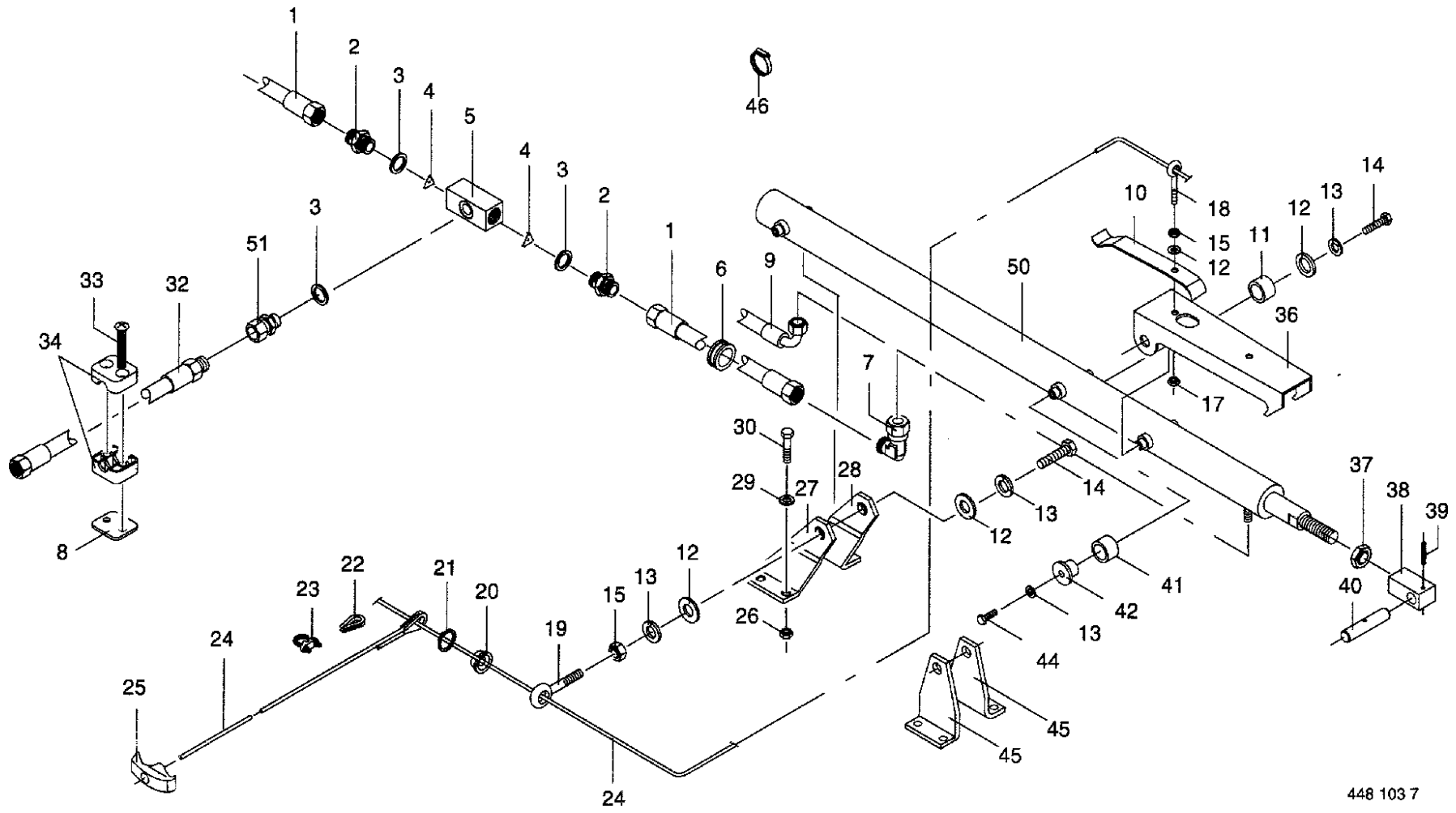


448 103 7

# Folding Hydraulics - KW-550/770

## Folding Hydraulics - KW-550/770

Item	Part Number	Description	Serial # Ranges	KW-550	KW-670	KW-770	Notes
1	921.025.2	High Pressure Hose				X	1500mm Long
2	921.252.0	Male Connector		X		X	L 6 / M18 X 1.5
3	937.727.0	Gasket Ring		X		X	A 18 X 24 X 1.5
4	921.264.0	Washer		X		X	
5	155.069.0	Distributor		X		X	M18 X 1.5 / M18 X 1.5
6	924.208.0	Cable Bushing		X		X	14/20
7	921.225.0	Connector				X	L 6
8	925.145.0	Cover Plate		X		X	
9	920.988.2	High Pressure Hose		X			1350mm Long
10	153.475.3	Plate Spring		X		X	
11	153.478.0	Bushing		X		X	
12	910.353.0	Washer		X		X	R 11
13	910.111.1	Spring Washer		X		X	B 10
14	900.632.0	Hex Head Bolt		X		X	M10 X 16
15	908.212.0	Hex Nut		X		X	M10
17	908.758.0	Hex Nut		X		X	M10
18	905.338.0	Eye Screw		X		X	M10 X 110
19	918.315.0	Eye Screw		X		X	M10 X 50/25
20	924.919.2	Rope Guide		X		X	
21	911.522.0	Circlip		X		X	A 20 X 1.2
22	917.506.0	Grommet Thimble		X		X	A 6
23	917.602.0	Wire Rope Clamp		X		X	5
24	925.113.0	Rope		X		X	3.1m
25	939.063.0	Handle		X		X	
26	908.701.0	Hex Nut		X		X	M12
27	155.024.0	Cylinder Support				X	
28	155.023.0	Cylinder Support				X	
29	910.035.0	Spring Washer		X		X	B 12
30	900.656.0	Hex Head Bolt		X		X	M12 X 30
32	920.002.0	High Pressure Hose		X		X	780mm Long
33	906.802.2	Self-Tapping Screw		X		X	B 4.8 X 45
34	925.101.1	Clamp		X		X	Bo.=14
	925.102.1	Clamp		X		X	Bo.=18
36	153.495.2	Locking Mechanism		X			
	155.025.0	Locking Mechanism				X	
37	908.525.1	Hex Nut		X		X	M20
38	153.491.1	Cylinder Support		X		X	
39	912.644.1	Roll Pin		X		X	6 X 40



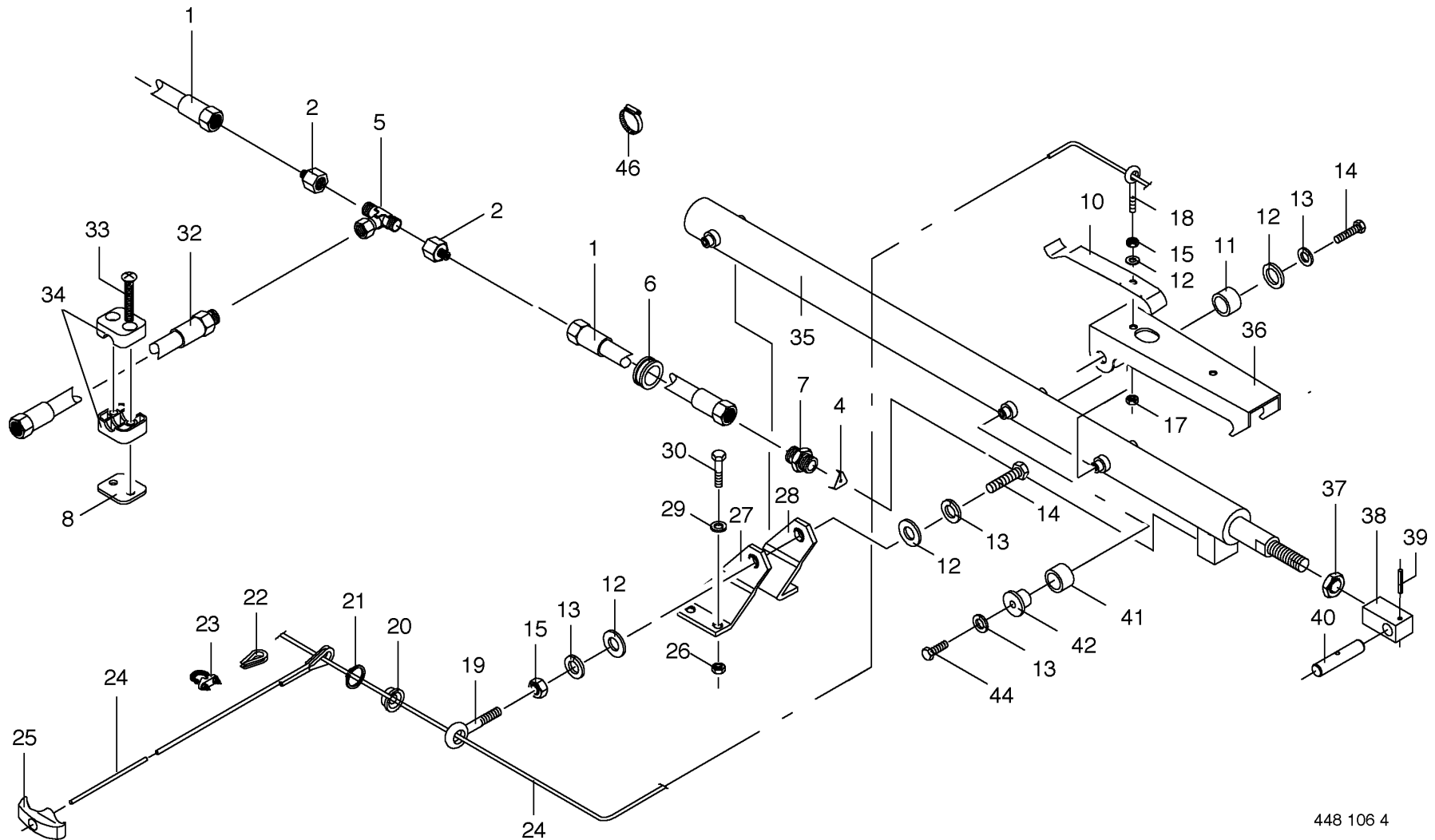
448 103 7

# Folding Hydraulics - KW-550/770



## Folding Hydraulics - KW-550/770

Item	Part Number	Description	Serial # Ranges	KW-550	KW-670	KW-770	Notes
40	153.093.1	Pin		X		X	20 X 80
41	151.573.0	Roller				X	
42	151.572.0	Boss				X	
44	900.637.0	Hex Head Bolt				X	M10 X 30
45	153.197.1	Cylinder Support		X			
46	924.003.0	Hose Clamp		X			LA 40-60
	924.004.0	Hose Clamp				X	LA 50-70
50	153.580.0	Hydraulic Cylinder		X			
	921.428.0	Seal Kit		X			
	911.804.0	Snap Ring		X			B 40 X 2.5
51	153.865.0	Hydraulic Cylinder				X	
	918.703.0	Seal Kit				X	
	921.093.1	Male Connector		X		X	M18 X 1.5

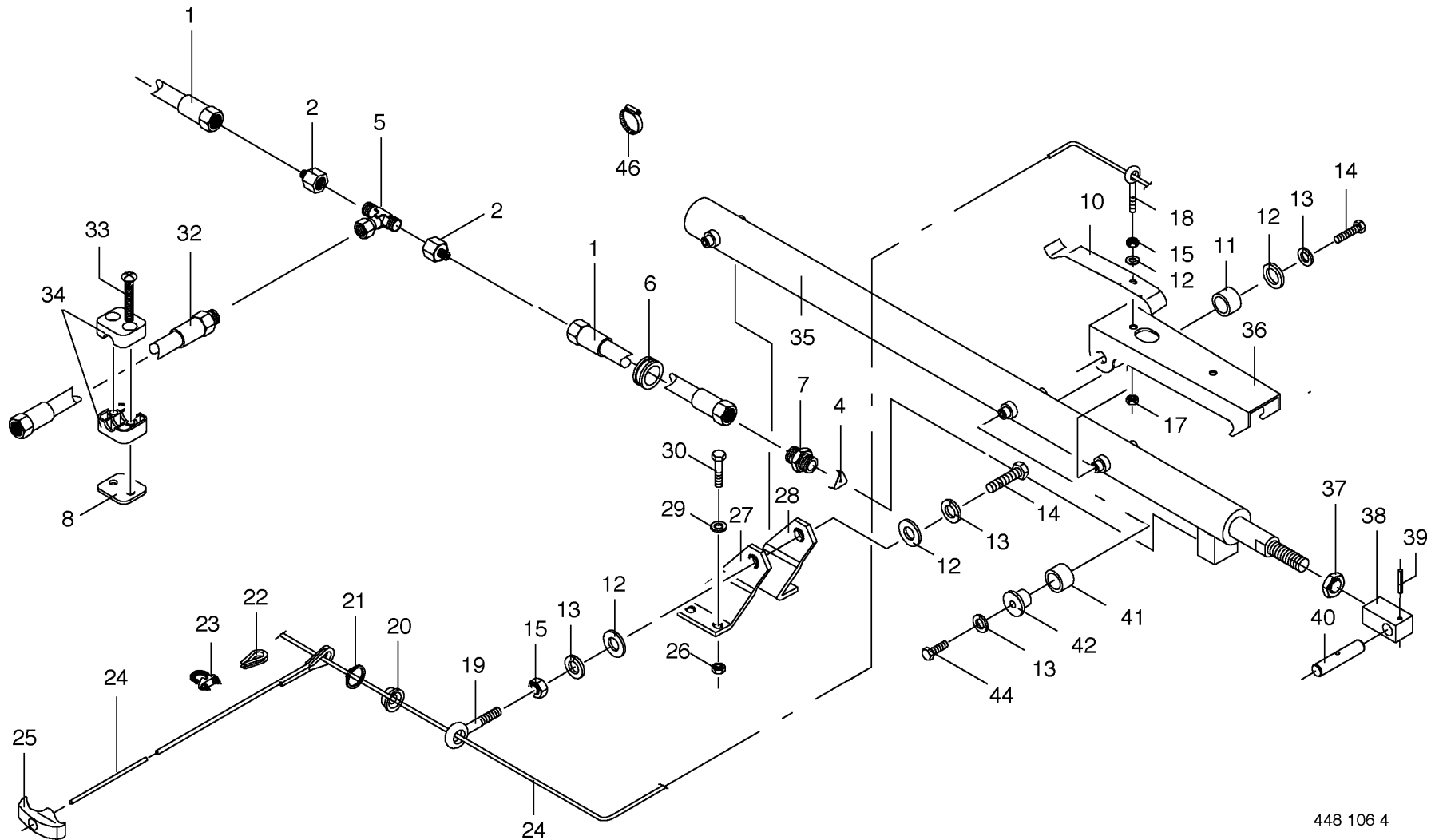


448 106 4

# Folding Hydraulics - KW-670

## Folding Hydraulics - KW-670

Item	Part Number	Description	Serial # Ranges	KW-550	KW-670	KW-770	Notes
1	920.968.0	High Pressure Hose			X		1300mm Long
2	921.083.1	Reducer			X		KOR 12/6-PL
4	921.264.0	Washer			X		
5	921.077.1	T Connector			X		L 12
6	924.208.0	Cable Bushing			X		14/20
7	921.252.0	Male Connector			X		L 6 / M18 X 1.5
8	925.145.0	Cover Plate			X		
10	153.475.3	Plate Spring			X		
11	153.478.0	Bushing			X		
12	910.353.0	Washer			X		R 11
13	910.111.1	Spring Washer			X		B 10
14	900.632.0	Hex Head Bolt			X		M10 X 16
15	908.212.0	Hex Nut			X		M10
17	908.758.0	Hex Nut			X		M10
18	905.338.0	Eye Screw			X		M10 X 110
19	918.315.0	Eye Screw			X		M10 X 50/25
20	924.919.2	Rope Guide			X		
21	911.522.0	Circlip			X		A 20 X 1.2
22	917.506.0	Grommet Thimble			X		A 6
23	917.602.0	Wire Rope Clamp			X		5
24	925.113.0	Rope			X		
25	939.063.0	Handle			X		
26	908.701.0	Hex Nut			X		M12
27	155.024.0	Cylinder Support			X		
28	155.023.0	Cylinder Support			X		
29	910.035.0	Spring Washer			X		B 12
30	900.656.0	Hex Head Bolt			X		M12 X 30
32	920.002.0	High Pressure Hose			X		780mm Long
33	906.802.2	Self-Tapping Screw			X		B 4.8 X 45
34	925.102.1	Clamp			X		Bo.=18
35	260.300.0	Hydraulic Cylinder			X		
	917.703.0	Seal Kit			X		
	911.802.0	Snap Ring			X		B 50 X 2.5
36	155.025.0	Locking Mechanism			X		
37	908.525.1	Hex Nut			X		M20
38	153.491.1	Cylinder Support			X		
39	912.644.1	Roll Pin			X		6 X 40
40	153.093.1	Pin			X		20 X 80

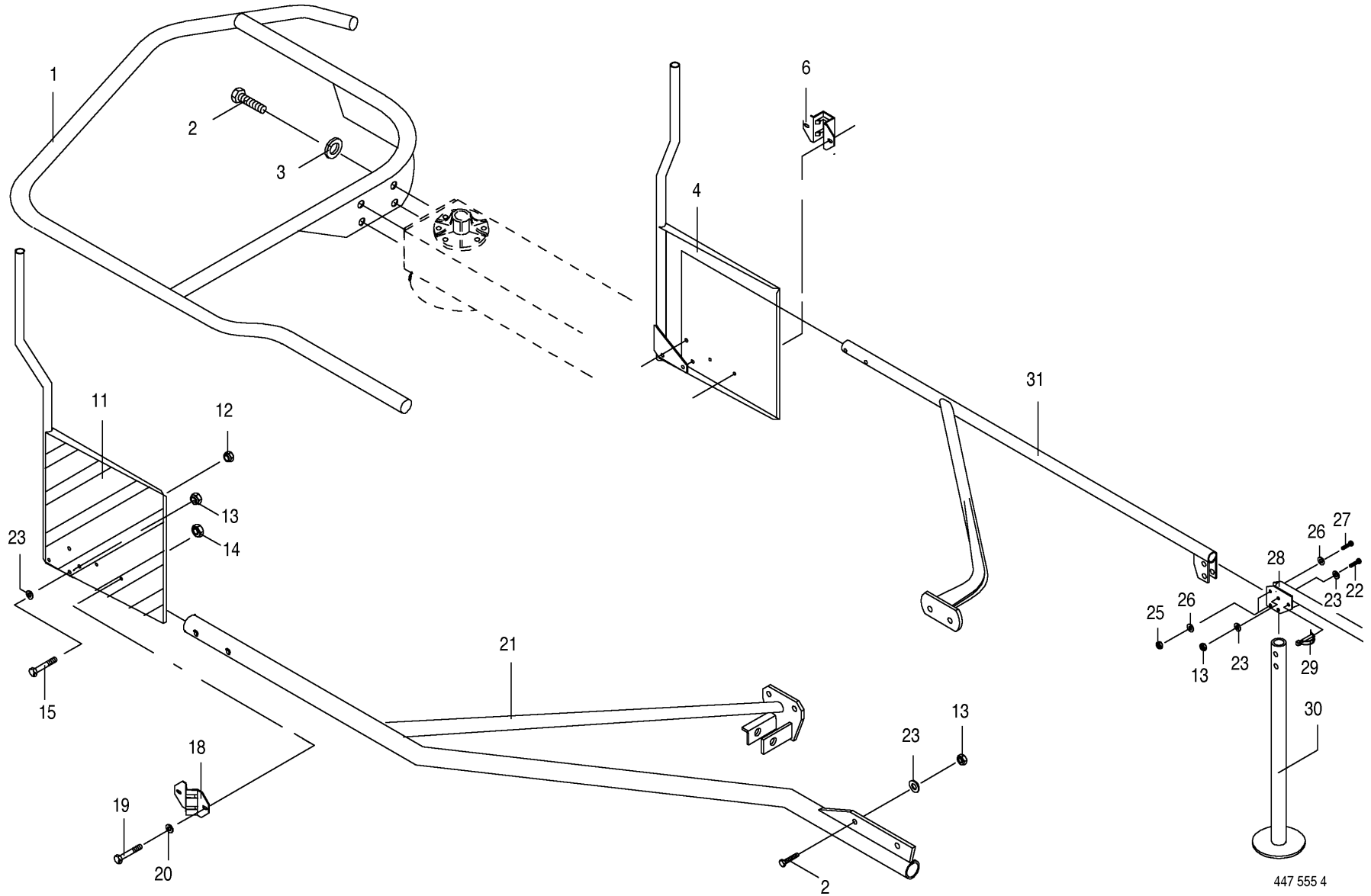


448 106 4

# Folding Hydraulics - KW-670

## Folding Hydraulics - KW-670

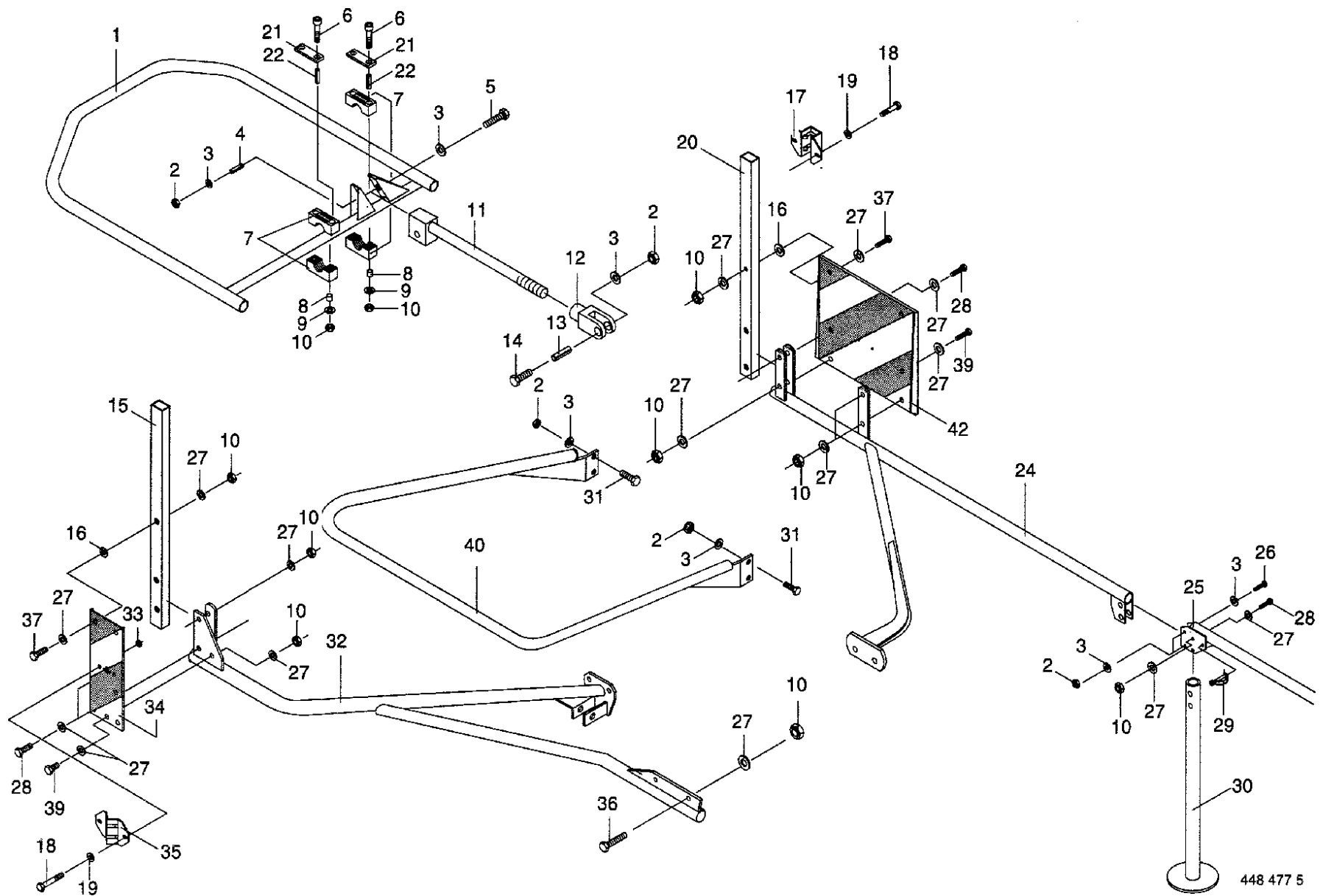
Item	Part Number	Description	Serial # Ranges	KW-550	KW-670	KW-770	Notes
41	151.573.0	Roller			X		M10 X 30
42	151.572.0	Boss			X		
44	900.637.0	Hex Head Bolt			X		
46	924.004.0	Hose Clamp			X		



# Safety Frames - KW-550

## Safety Frames - KW-550

Item	Part Number	Description	Serial # Ranges	KW-550	KW-670	KW-770	Notes
1	153.971.0	Outer Guard R/H		X			M10 X 30 SKM 10
	153.970.0	Outer Guard L/H		X			
2	900.637.0	Hex Head Bolt		X			
3	909.909.0	Detent Edged Washer		X			
4	260.493.0	Guard Left Front / Right Rear		X			
6	145.912.1	Light Support		X			M5 M10 M8
11	260.494.0	Guard Right Front / Left Rear		X			
12	908.207.0	Hex Nut		X			
13	908.758.0	Hex Nut		X			
14	908.706.0	Hex Nut		X			
15	901.434.0	Hex Head Bolt		X			M10 X 55
18	146.605.0	Lighting Bracket		X			M8 X 20 A 8.4
19	900.614.0	Hex Head Bolt		X			
20	910.413.0	Washer		X			
21	153.564.0	Front Guard R/H		X			
	153.563.0	Front Guard L/H		X			M10 X 60 A 10.5 M12 13 X 24 X 2.5
22	901.435.0	Hex Head Bolt		X			
23	910.414.0	Washer		X			
25	908.701.0	Hex Nut		X			
26	910.506.0	Washer		X			
27	900.304.1	Hex Head Bolt		X			M12 X 60
28	260.495.0	Rear Guard L/H		X			8 X 50
29	917.000.1	Lynch Pin		X			
30	153.593.0	Jack Stand		X			
31	260.496.0	Rear Guard R/H		X			

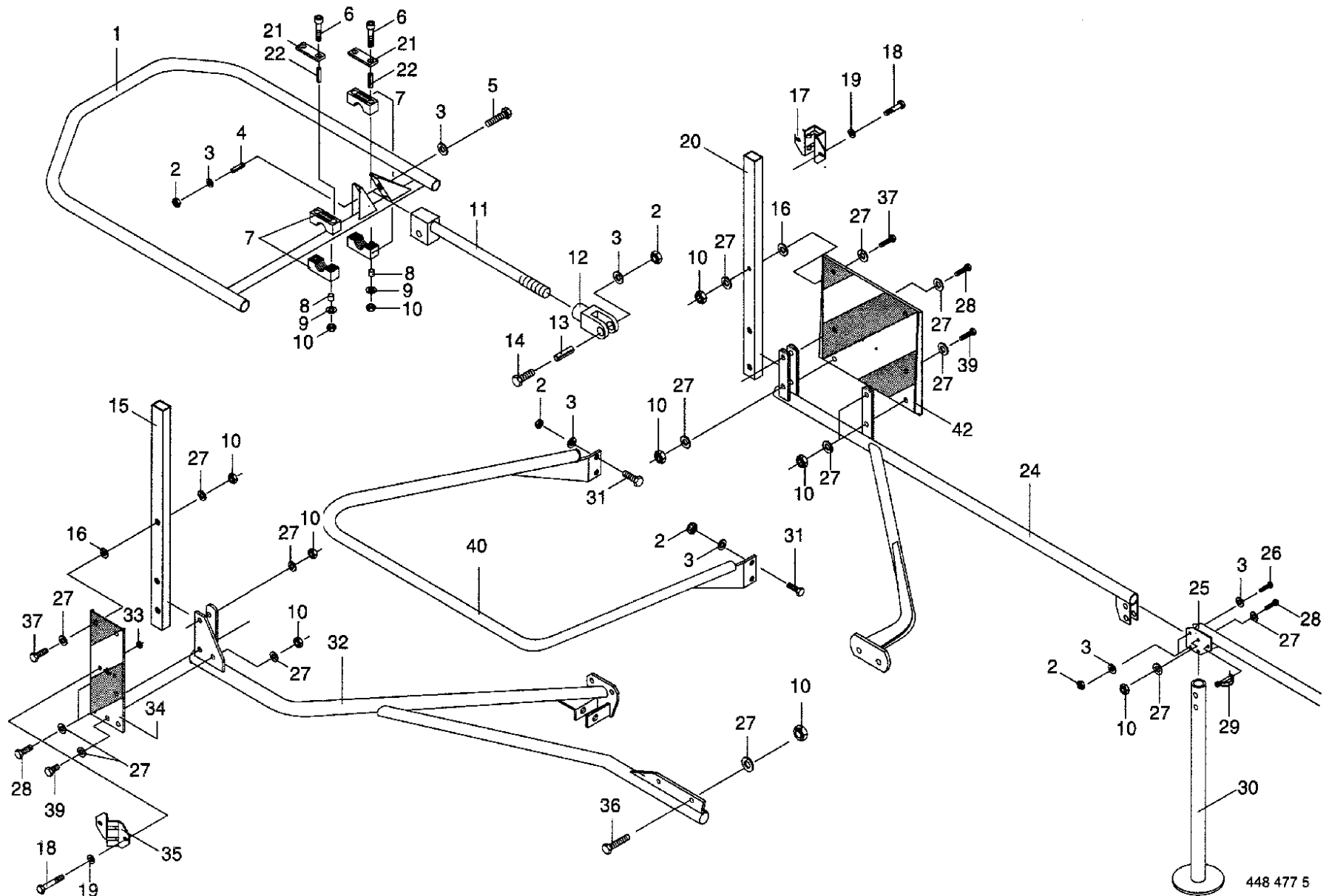


# Safety Frames - KW-670/770



## Safety Frames - KW-670/770

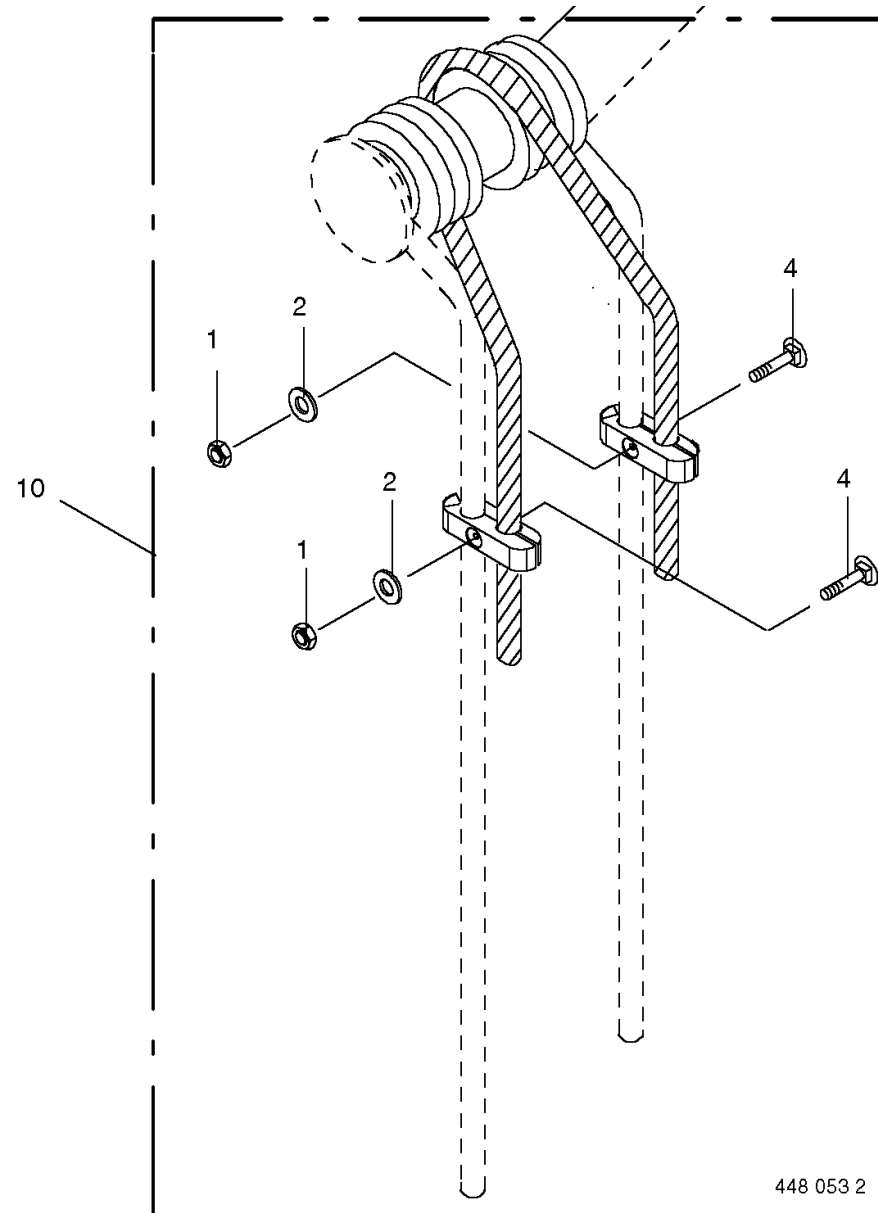
Item	Part Number	Description	Serial # Ranges	KW-550	KW-670	KW-770	Notes
1	260.616.0	Outer Guard			X		
	155.040.0	Outer Guard				X	
2	908.701.0	Hex Nut			X	X	M12
3	910.506.0	Washer			X	X	13 X 24 X 2.5
4	912.511.0	Roll Pin			X	X	16 X 40
5	900.304.1	Hex Head Bolt			X	X	M12 X 60
6	901.439.1	Hex Head Bolt			X	X	M10 X 90
7	925.150.0	Clamp			X	X	Bo.=35
8	155.047.0	Bushing			X	X	
9	910.361.0	Washer			X	X	10.5
10	908.758.0	Hex Nut			X	X	M10
11	260.299.0	Connecting Bar			X		442mm Long
	155.041.0	Connecting Bar				X	580mm Long
12	927.104.0	Clevis			X	X	
13	912.510.0	Roll Pin			X	X	16 X 32
14	901.452.0	Hex Head Bolt			X	X	M12 X 50
15	260.250.0	Guard Tube			X	X	
16	910.361.0	Washer			X	X	10.5
17	145.912.1	Light Support			X	X	
18	900.614.0	Hex Head Bolt			X	X	M8 X 20
19	910.413.0	Washer			X	X	A 8.4
20	260.640.0	Guard Tube			X	X	
21	925.125.0	Cover Plate			X	X	
22	912.503.0	Roll Pin			X	X	12 X 45
24	260.576.0	Rear Guard R/H				X	
25	260.474.0	Rear Guard R/H				X	
	260.575.0	Rear Guard L/H			X		
	260.473.0	Rear Guard L/H				X	
26	900.304.1	Hex Head Bolt			X	X	M12 X 60
27	910.414.0	Washer			X	X	A 10.5
28	901.435.0	Hex Head Bolt			X	X	M10 X 60
29	917.000.1	Lynch Pin			X	X	8 X 50
30	153.593.0	Jack Stand			X	X	
31	900.656.0	Hex Head Bolt			X	X	M12 X 30
32	260.252.0	Front Guard R/H			X		
	260.472.0	Front Guard R/H				X	
	260.251.0	Front Guard L/H			X		
	260.471.0	Front Guard L/H				X	



# Safety Frames - KW-670/770

## Safety Frames - KW-670/770

Item	Part Number	Description	Serial # Ranges	KW-550	KW-670	KW-770	Notes
33	908.706.0	Hex Nut			X	X	M8
34	260.489.0	Warning Panel			X	X	141 X 423
	924.569.0	Decal			X	X	423 X 423
35	146.605.0	Lighting Bracket			X	X	
36	900.637.0	Hex Head Bolt			X	X	M10 X 30
37	901.061.2	Hex Head Bolt			X	X	M10 X 45-10.9
39	900.636.0	Hex Head Bolt			X	X	M10 X 25
40	155.186.0	Guard			X		
	155.196.0	Guard Central R/H				X	
	155.185.0	Guard			X		
42	155.195.0	Guard Central L/H				X	
	260.490.0	Warning Panel			X	X	423 X 423
	924.569.0	Decal			X	X	423 X 423

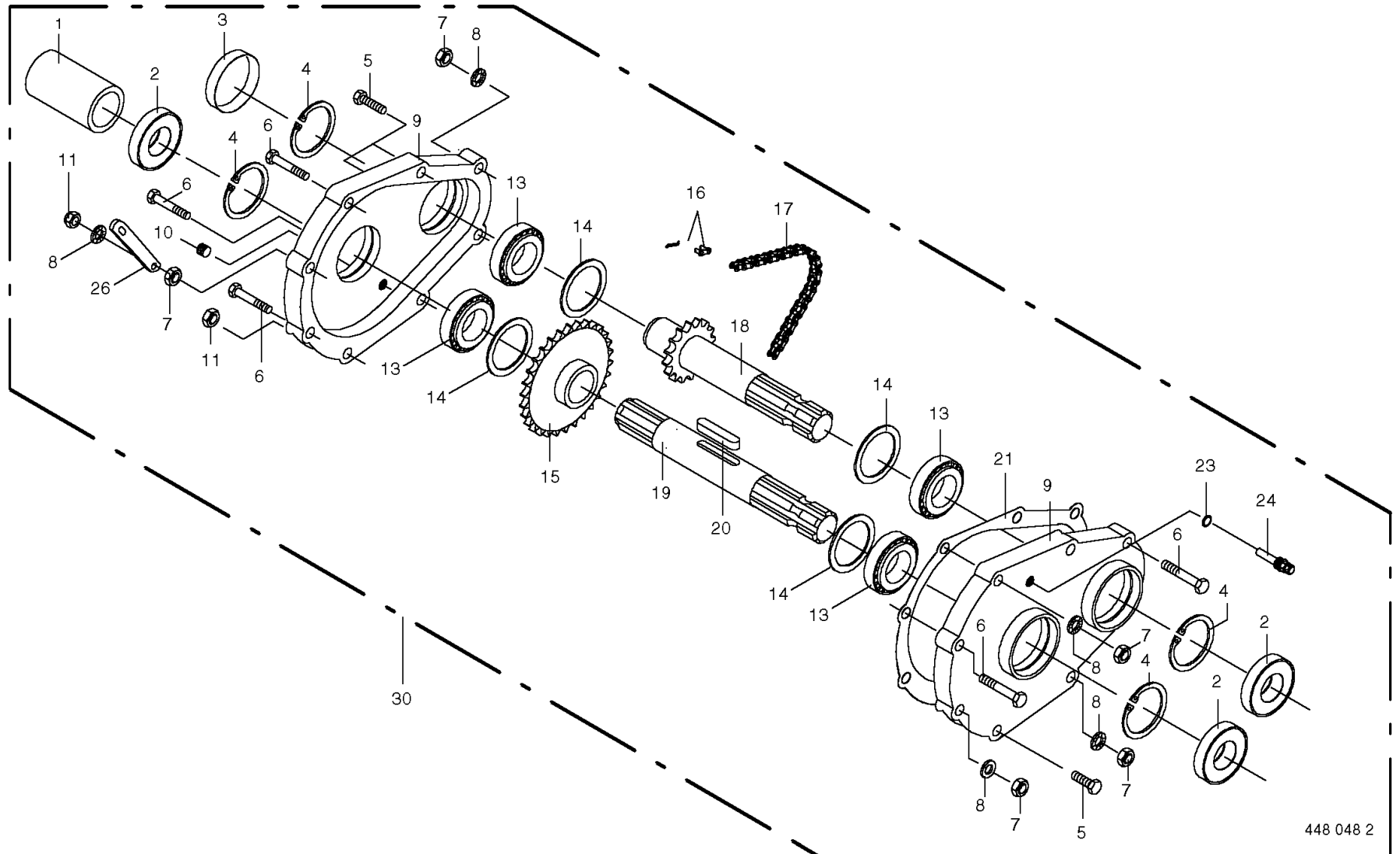


448 053 2

# Tine Savers

## Tine Savers

Item	Part Number	Description	Serial # Ranges	KW-550	KW-670	KW-770	Notes
1	908.704.1	Hex Nut		X	X	X	M6
2	910.351.1	Washer		X	X	X	6.4 X 18 X 1.6
4	904.804.0	Flat Round Bolt		X	X	X	M6 X 30
10	153.479.0	Tine Saver		28	36	42	

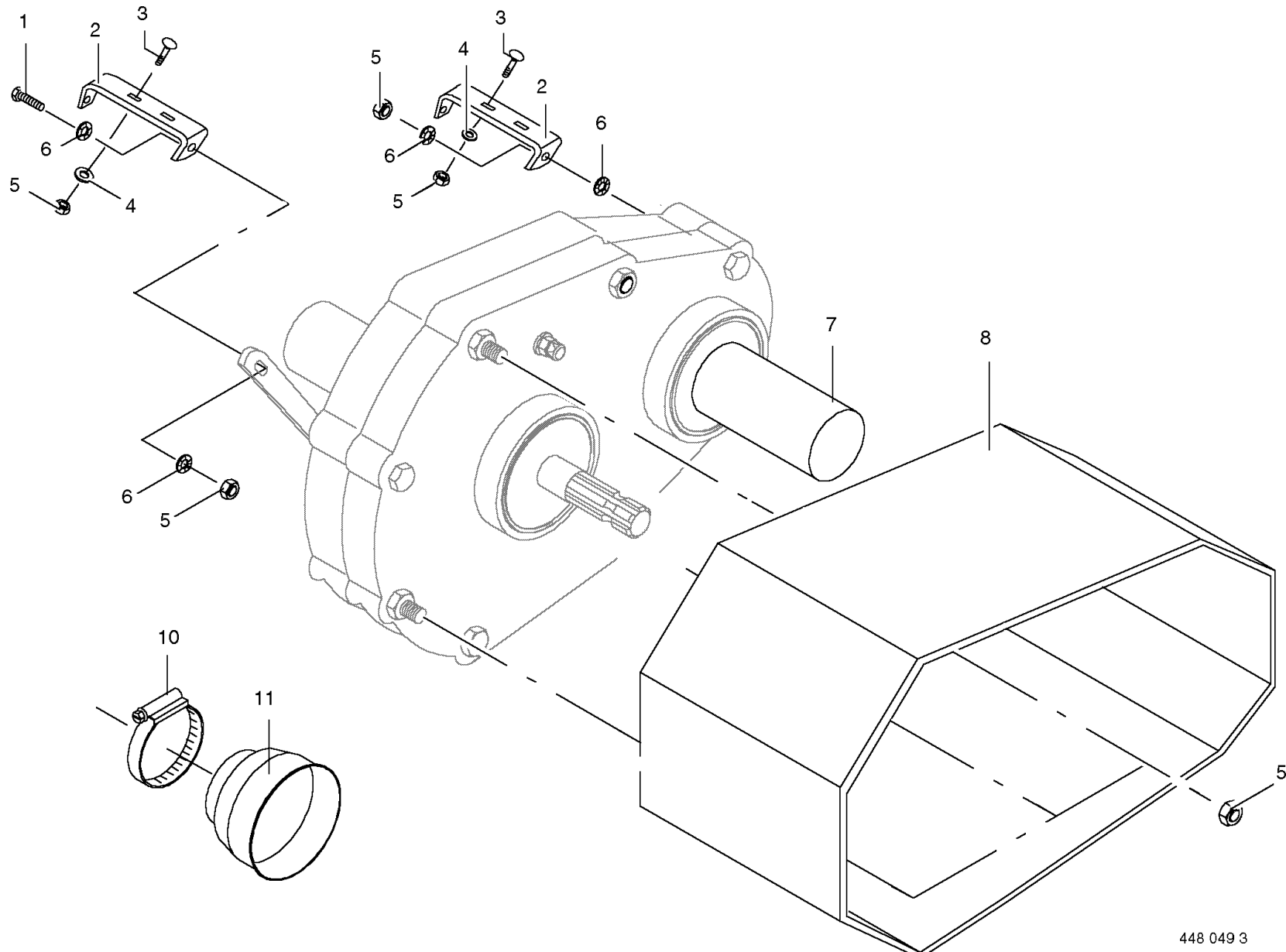


448 048 2

# Windrowing Gearbox

## Windrowing Gearbox

Item	Part Number	Description	Serial # Ranges	KW-550	KW-670	KW-770	Notes
1	949.322.0	Shaft Protector		X	X	X	1 3/8" - 130mm Long
2	936.335.0	Radial Seal		X	X	X	B2 35 X 62 X 10
3	925.202.2	Core Plug		X	X	X	62
4	911.659.0	Circlip		X	X	X	1 62 X 2.0
5	901.436.0	Hex Head Bolt		X	X	X	M10 X 65
6	900.289.1	Hex Bolt		X	X	X	M10 X 80
7	908.212.0	Hex Nut		X	X	X	M10
8	909.909.0	Detent Edged Washer		X	X	X	SKM 10
9	153.571.0	Gearbox Half		X	X	X	
10	906.040.1	Screw Plug		X	X	X	M18 X 1.5
11	908.758.0	Hex Nut		X	X	X	M10
13	930.103.0	Bearing		X	X	X	160 07
14	911.134.0	Shim		X	X	X	35 X 45 X 1.0
	911.133.0	Shim		X	X	X	35 X 45 X .5
	911.132.0	Shim		X	X	X	35 X 45 X .3
15	153.573.0	Chain Sprocket		X	X	X	Z=24, T=3/4"
16	921.980.0	Chain Lock		X	X	X	3/4"
17	921.727.0	Roller Chain		X	X	X	3/4" X 30 Ro.
18	153.572.0	Drive Shaft		X	X	X	60 X 175
19	153.576.0	Through Shaft		X	X	X	35 X 242
20	915.116.0	Flat Key		X	X	X	A 10 X 8 X 36
21	153.577.0	Gasket		X	X	X	T=.5mm
23	937.727.0	Gasket Ring		X	X	X	A 18 X 24 X 1.5
24	919.811.0	Breather		X	X	X	M18 X 1.5
26	155.134.0	Tongue		X	X	X	
30	153.570.1 926.000.0	Windrowing Gearbox Complete Semi-Fluid Gear Lubricant		X X	X X	X X	.1 Liter



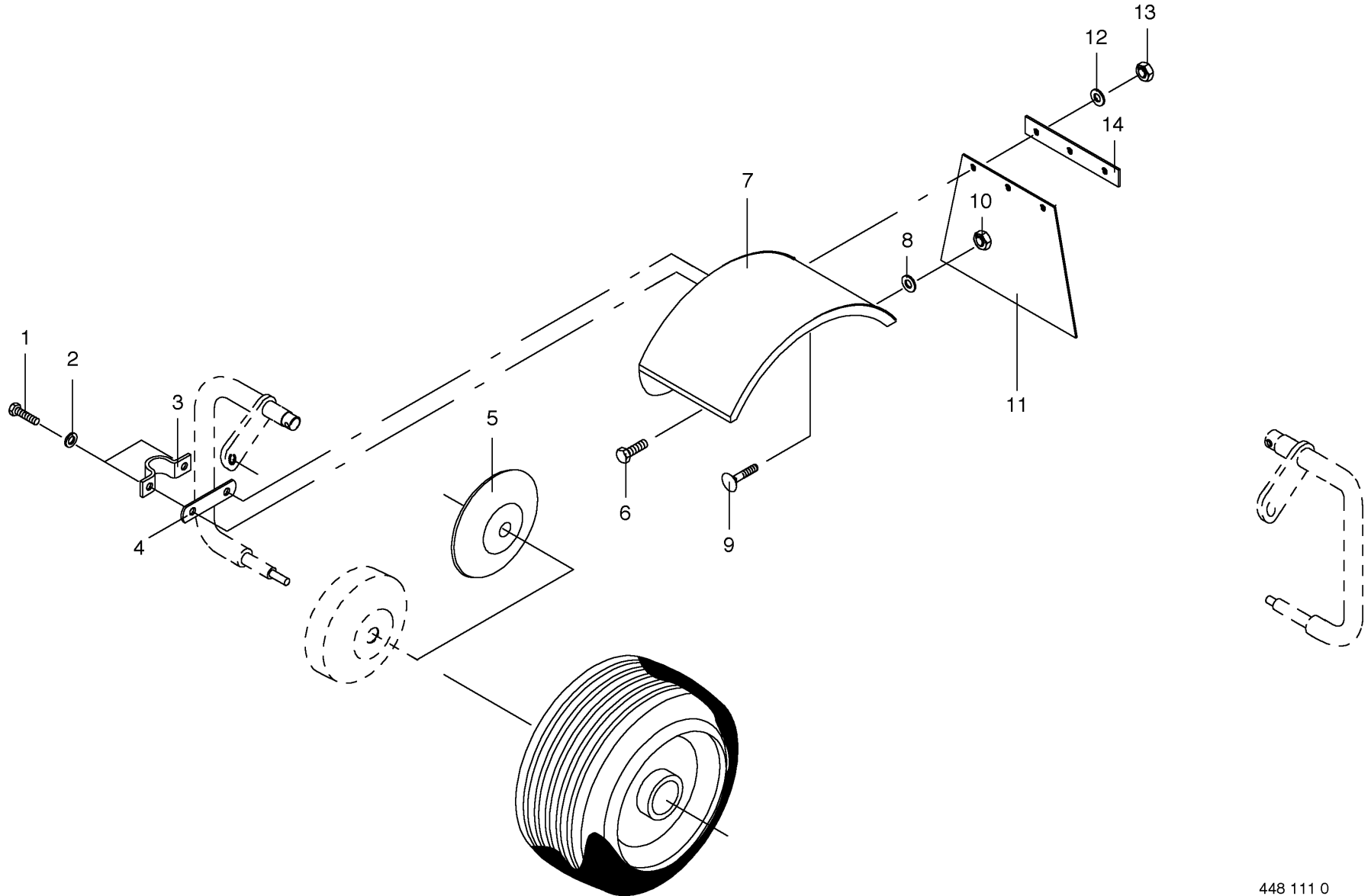
448 049 3

# Windrowing Gearbox Mounting



## Windrowing Gearbox Mounting

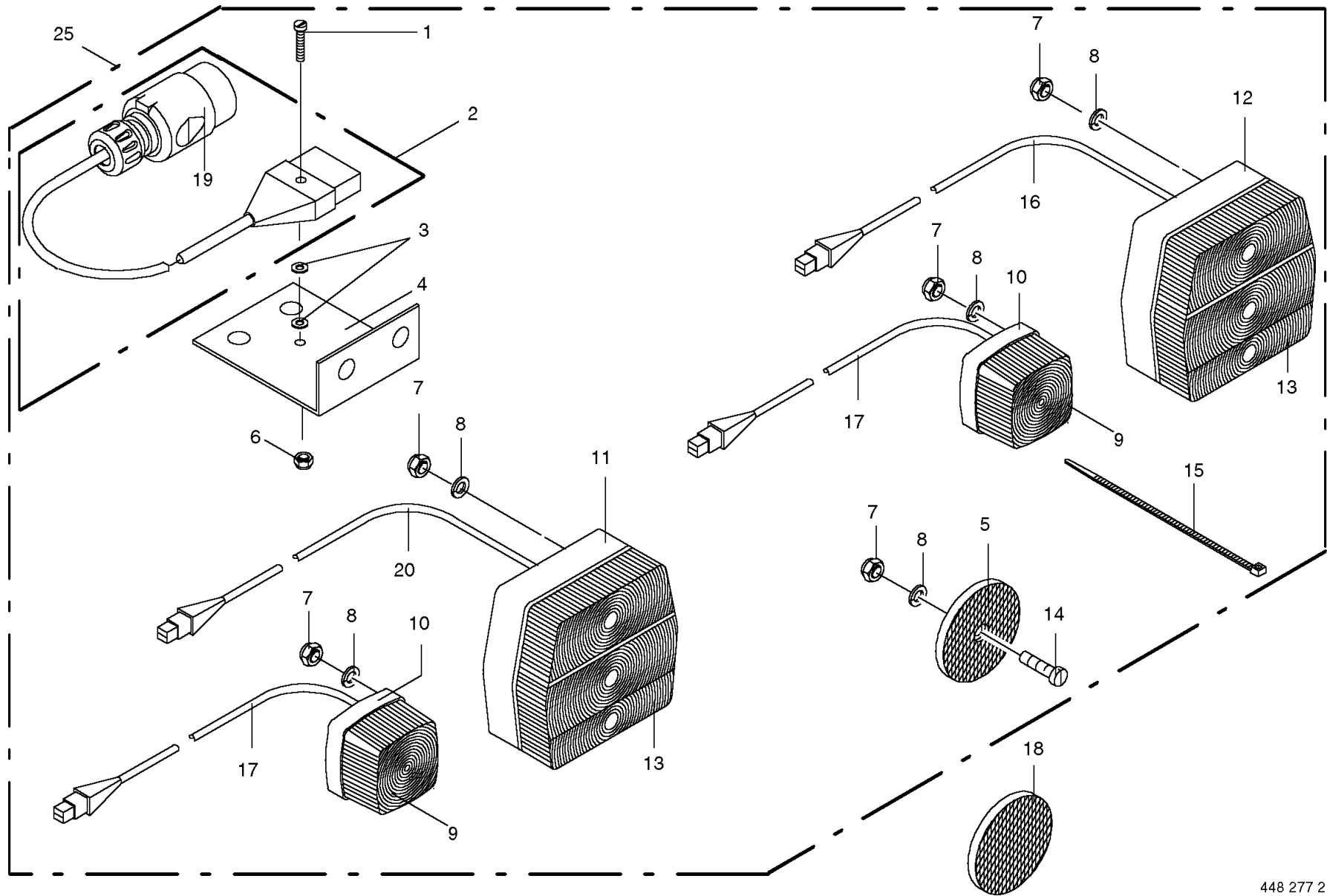
Item	Part Number	Description	Serial # Ranges	KW-550	KW-670	KW-770	Notes
1	900.637.0	Hex Head Bolt		X	X	X	M10 X 30
2	155.133.0	Angle		X	X	X	
3	904.850.1	Flat Round Bolt		X	X	X	M10 X 25
4	910.353.0	Washer		X	X	X	R 11
5	908.758.0	Hex Nut		X	X	X	M10
6	909.909.0	Detent Edged Washer		X	X	X	SKM 10
7	924.926.0	Shaft Protection		X	X	X	Rd. 35/37 X 70
8	153.565.1	Guard		X	X	X	
10	924.007.0	Hose Clamp		X	X	X	
11	955.219.0	PTO Guard		X	X	X	



# Wheel Covers

## Wheel Covers

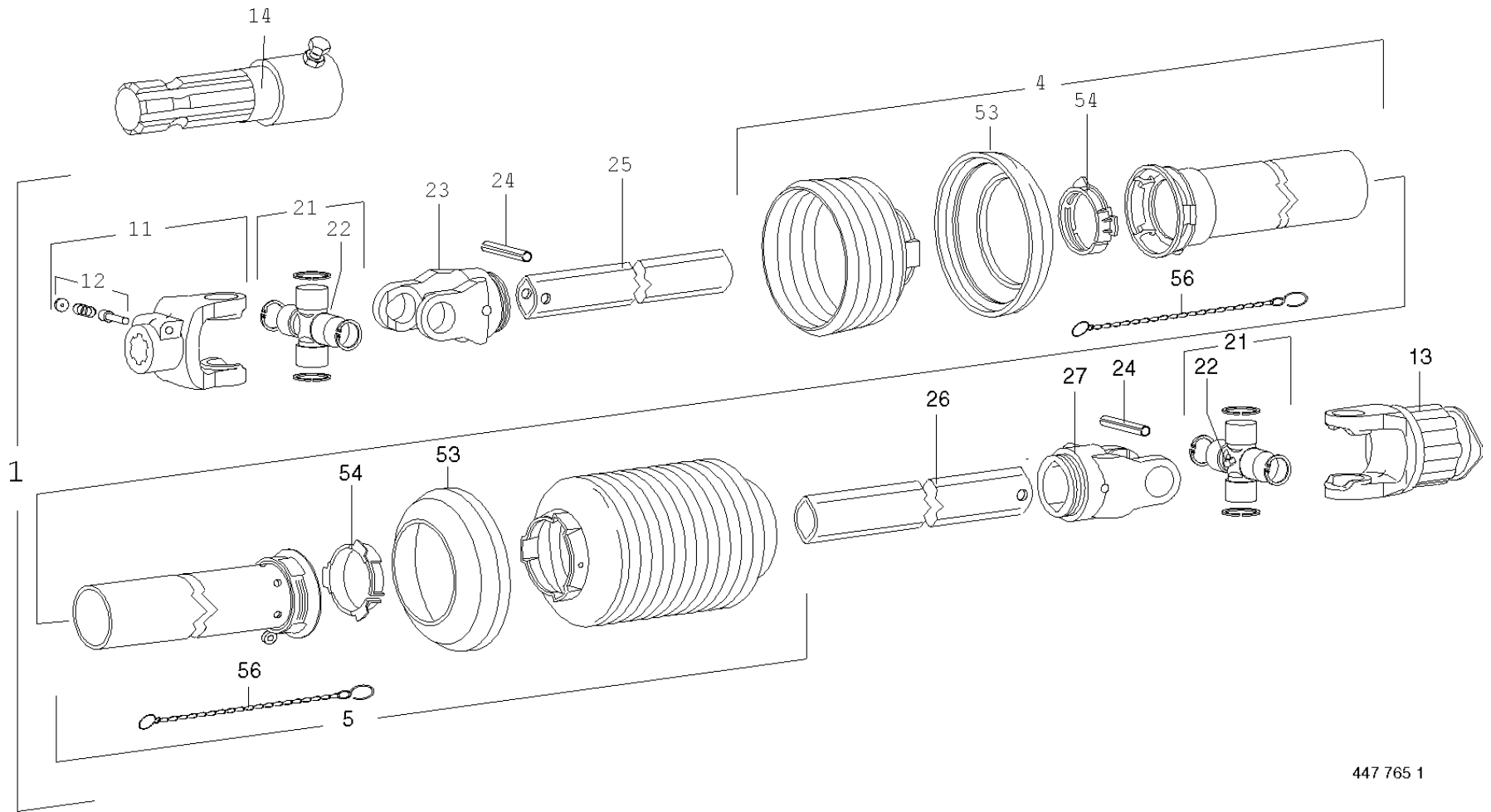
Item	Part Number	Description	Serial # Ranges	KW-550	KW-670	KW-770	Notes
1	900.636.0	Hex Head Bolt		X	X	X	M10 X 25
2	909.909.0	Detent Edged Washer		X	X	X	SKM 10
3	153.113.0	Tongue		X	X	X	
4	153.881.1	Spacer		X	X	X	
5	153.206.0	Anti-Wrap Guard		X	X	X	
6	901.425.0	Hex Head Bolt		X	X	X	M8 X 60
7	153.130.1	Wheel Cover		X	X	X	
8	910.413.0	Washer		X	X	X	A 8.4
9	904.710.1	Flat Round Bolt		X	X	X	M6 X 16
10	908.706.0	Hex Nut		X	X	X	M8
11	153.581.0	Guard Extension		X	X	X	
12	910.411.1	Washer		X	X	X	A 6.4
13	908.704.1	Hex Nut		X	X	X	M6
14	153.582.1	Clamping Strap		X	X	X	



# Lighting

## Lighting

Item	Part Number	Description	Serial # Ranges	KW-550	KW-670	KW-770	Notes
1	903.427.1	Allen Screw		X	X	X	AM 4 X 20
2	924.629.0	Connection Cable Complete		X	X	X	7 Pole - 2500mm Long
3	910.325.0	Washer		X	X	X	4.3 X 9.0 X .8
4	155.151.0	Bracket		X	X	X	
5	924.535.1	Rear Reflector Red		X	X	X	
6	908.718.0	Hex Nut		X	X	X	NM 4
7	908.207.0	Hex Nut		X	X	X	M5
8	910.031.0	Spring Washer		X	X	X	B 5
9	924.623.0	Lens for Lamp		X	X	X	
10	924.611.0	Side Light White		X	X	X	
11	924.698.0	Lamp L/H		X	X	X	
12	924.697.0	Lamp R/H		X	X	X	
13	924.699.0	Lens for Lamp		X	X	X	
14	903.661.0	Allen Screw		X	X	X	AM 5 X 30
15	922.671.0	Cable Band		X	X	X	4.8 X 178
16	924.649.0	Cable		X	X	X	4 Pole - 2600mm Long
17	924.627.1	Cable		X	X	X	2 Pole - 4000mm Long
18	924.634.0	Side Light Yellow		X	X	X	
19	924.576.0	Plug		X	X	X	7 Pole
20	924.628.0	Cable		X	X	X	4 Pole - 2600mm Long
25	155.150.0	Lighting Complete		X	X	X	



447 765 1

# PTO Shaft - KW-550/670

## PTO Shaft - KW-550/670

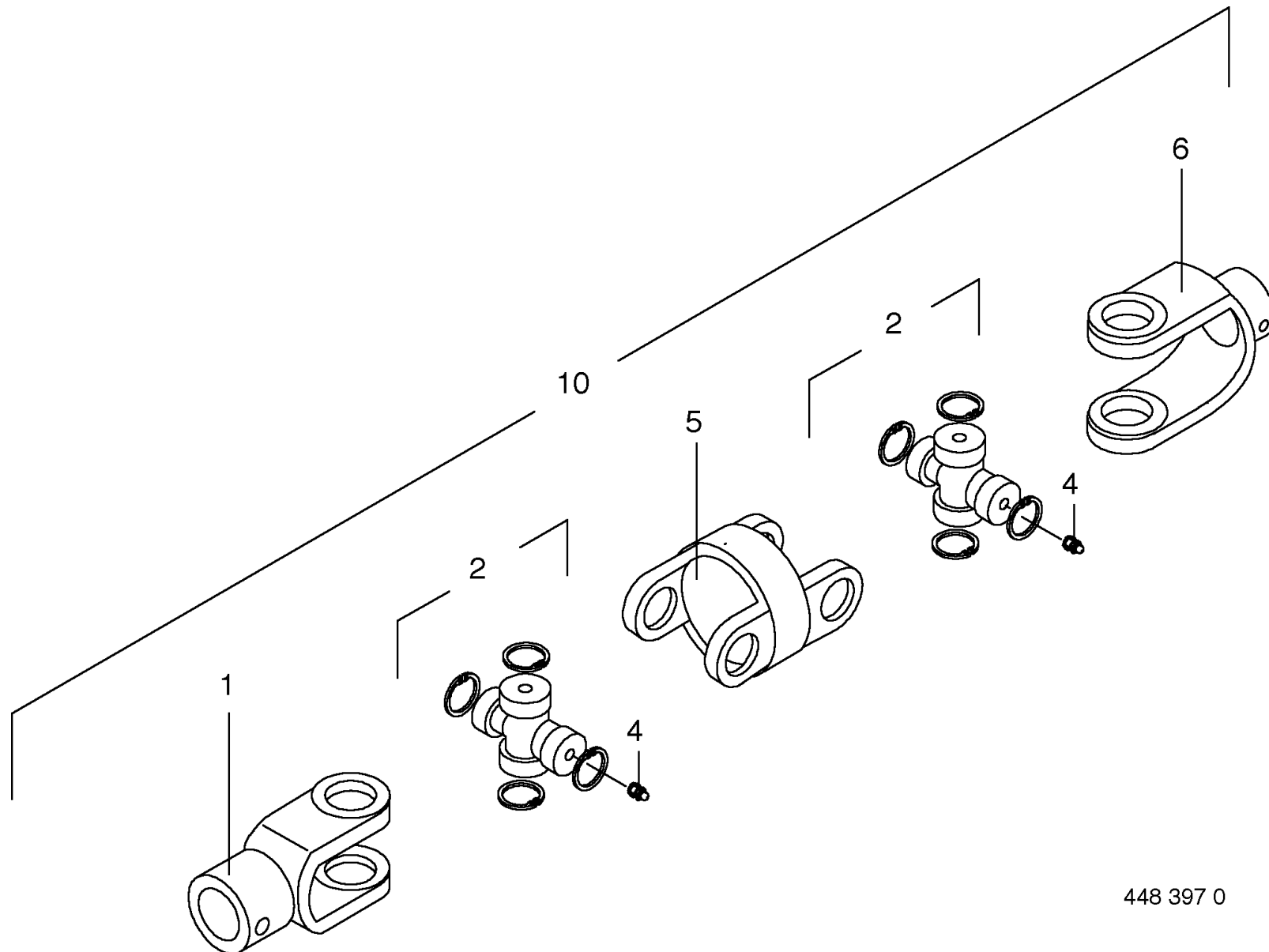
Item	Part Number	Description	Serial # Ranges	KW-550	KW-670	KW-770	Notes
1	949.053.1	PTO Shaft Complete		X	X		W2200-SD15-1210-K33B
4	949.379.0	Outer Guard Tube		X	X		
5	949.934.0	Inner Guard Tube		X	X		
11	949.403.0	Outer Yoke		X	X		
12	949.630.0	Locking Pin Complete		X	X		
13	949.364.0	Ratchet Clutch		X	X		900 NM
14	949.445.1	Reducing Piece		X	X		M8 X 1
21	956.560.0	Cross Assembly Complete		X	X		
22	949.629.0	Grease Fitting		X	X		
23	949.410.0	Grooved Yoke		X	X		10 X 65 1250mm Long 1250mm Long
24	912.719.0	Roll Pin		X	X		
25	949.674.0	Inner Tube		X	X		
26	949.717.0	Outer Tube		X	X		
27	949.428.0	Grooved Yoke		X	X		
53	949.352.0	Ring		X	X		400mm Long
54	949.863.0	Bearing Ring		X	X		
56	949.852.0	Chain		X	X		





## PTO Shaft - KW-770

Item	Part Number	Description	Serial # Ranges	KW-550	KW-670	KW-770	Notes
1	956.024.1	PTO Shaft Complete				X	W2300-SD15V-1110-K92+JF5/12R
4	949.945.0	Outer Guard Tube				X	
5	949.934.0	Inner Guard Tube				X	
11	949.463.0	Outer Yoke				X	1 3/8"
12	949.630.0	Locking Pin Complete				X	
13	949.429.0	Friction Clutch				X	1 3/8" - 900 NM
	949.568.0	Friction Disc				2	
21	949.462.0	Cross Assembly				X	
22	949.629.0	Grease Fitting				X	M8 X 1
23	949.465.0	Grooved Yoke				X	
24	912.719.0	Roll Pin				X	10 X 65
25	949.673.0	Inner Tube				X	1000mm Long
26	955.322.0	PTO Shaft Half				X	JF5/12R
27	949.445.1	Reducing Piece				X	
53	949.352.0	Ring				X	
54	949.863.0	Bearing Ring				X	
56	949.852.0	Chain				X	400mm Long

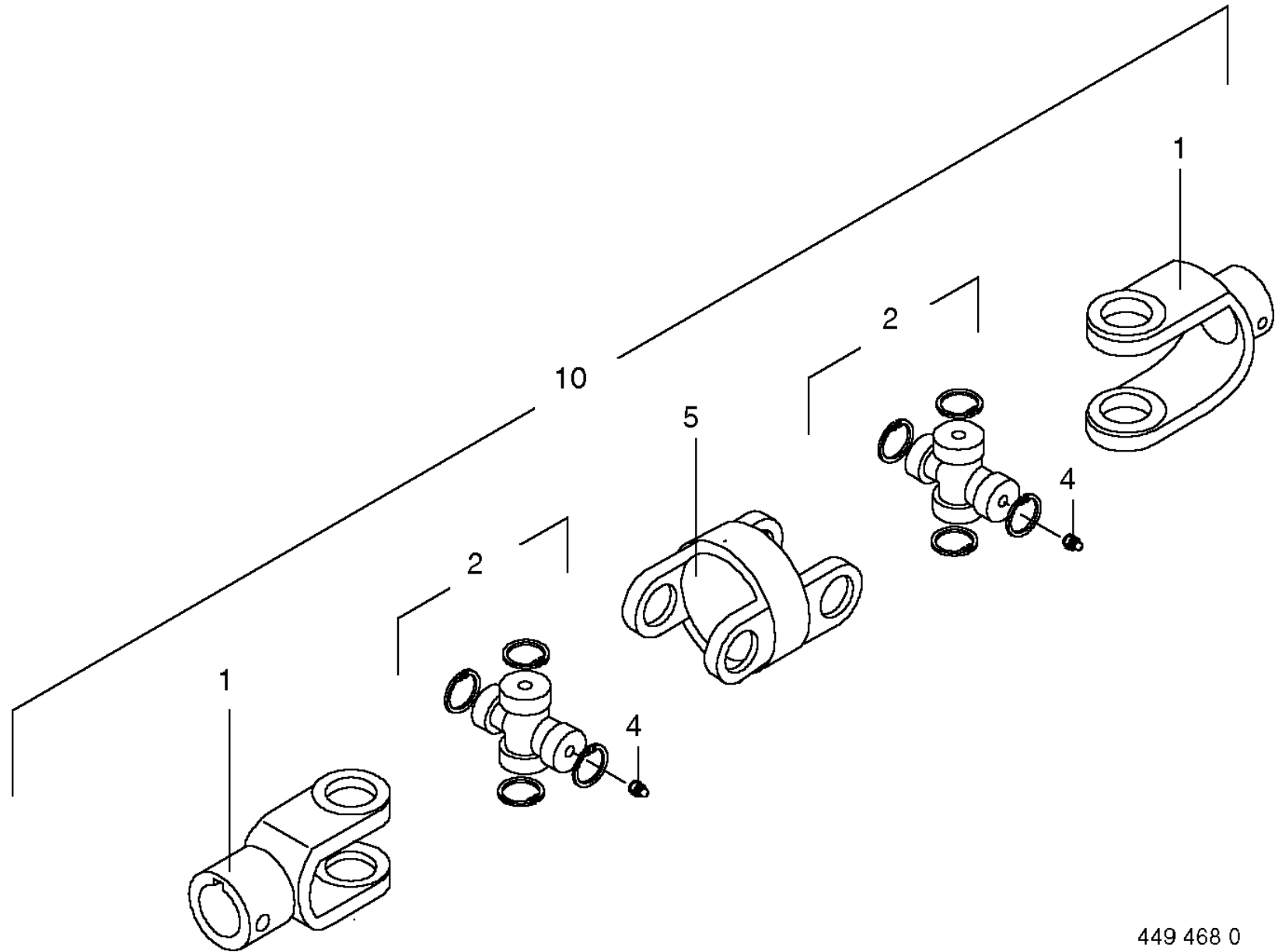


448 397 0

**Universal Joint "A" - KW-670/770**

## Universal Joint "A" - KW-670/770

Item	Part Number	Description	Serial # Ranges	KW-550	KW-670	KW-770	Notes
1	956.228.0	Outer Yoke			X	X	Gr. 2 H1S M6
2	956.145.0	Cross Assembly			X	X	
4	919.002.0	Grease Fitting			X	X	
5	956.229.0	Double Yoke			X	X	
6	956.230.0	Outer Yoke			X	X	
10	949.153.0	Wide Angle Universal Joint Complete			X	X	



449 468 0

**Universal Joint "B"**

## Universal Joint "B"

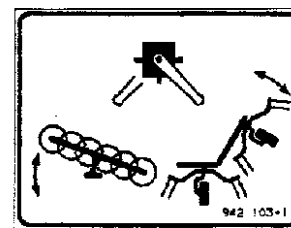
Item	Part Number	Description	Serial # Ranges	KW-550	KW-670	KW-770	Notes
1	956.253.0	Outer Yoke		X	X	X	
2	956.145.0	Cross Assembly		X	X	X	Gr. 2
4	919.002.0	Grease Fitting		X	X	X	H1S M6
5	956.229.0	Double Yoke		X	X	X	
10	949.154.1	Wide Angle Universal Joint Complete	483801-493171	X	X	X	Gr. 2
	949.154.1	Wide Angle Universal Joint Complete	493172-		X	X	Gr. 2
	955.916.0	Wide Angle Universal Joint Complete	493172-	X			Gr. 2



1



2



3



4

5

**D** Dreipunkthydraulik langsam absenken. Eventuell Drossel einbauen.

**E** Bajar lentamente el soporte tripuntal. En caso necesario montar un estrangulador.

**F** Abaisser lentement le relevage trois-points. Le cas échéant monter un restricteur.

**GB** Lower the three-point linkage slowly. If necessary install a restrictor.

**I** Abbassare lentamente il cavalletto attacco a tre punti. All'occorrenza montare uno strozzatore. 942 119-0

6

**D** Schrauben an allen Zinken möglich auf festen Sitz prüfen.

**E** Comprobar cada día si aprieta de todos los ramilletes de fijación de dedos.

**F** Vérifier quotidiennement le serrage de toutes les vis de fixation de dents.

**GB** Check the fastening screws daily for tightness.

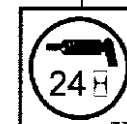
**I** Controllare ogni giorno il serraggio di tutte le viti di fissaggio dei denti. 942 685-0

7

8

1,5 bar

9



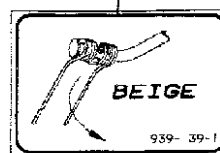
10



11



12



13



14

**D** 1x jährlich Reibkupplung vor der Ernte lüften.

**E** Purgar los embragues de fricción una vez al año antes de la temporada.

**F** Purger les limiteurs de couple une fois par an avant la campagne.

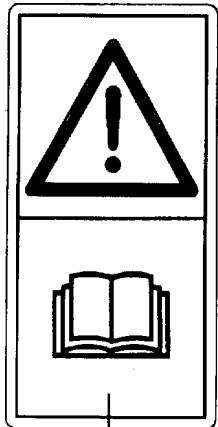
**GB** Bleed friction clutches once a year before the campaign.

**I** Spurgare le frizioni di sicurezza una volta all'anno prima della campagna. 939 278-1

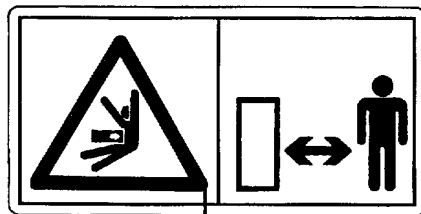
# General Information Decals

## General Information Decals

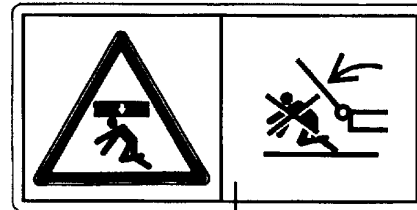
Item	Part Number	Description	Serial # Ranges	KW-550	KW-670	KW-770	Notes
1	440.135.2	Decal		X			
	440.148.1	Decal				X	
	939.429.1	Decal			X		
2	942.301.0	Decal		X	X	X	775mm Long - Beige
	942.297.0	Decal		X	X	X	200mm Long - Green
	942.296.0	Decal		X	X	X	370mm Long - Beige
	942.295.0	Decal			X		500mm Long - Beige
3	942.103.1	Decal		X	X	X	
4	942.104.1	Decal		X	X	X	
	939.532.0	Decal				X	
5	942.118.0	Decal		X	X	X	
6	942.085.0	Decal		X	X	X	
7	942.067.0	Decal		X	X	X	
8	942.107.1	Decal		X	X	X	1.5 Bar
	939.170.1	Decal		X	X	X	2.0 Bar
9	939.212.1	Decal		X	X	X	
10	924.569.0	Decal		X			423 X 423
	924.625.0	Decal L/H				X	141 X 846
	924.626.0	Decal R/H				X	141 X 846
11	939.138.2	Decal		X	X	X	
12	939.139.1	Decal		X	X	X	
13	939.218.1	Decal				X	25
	939.145.1	Decal				X	40
14	939.278.1	Decal				X	



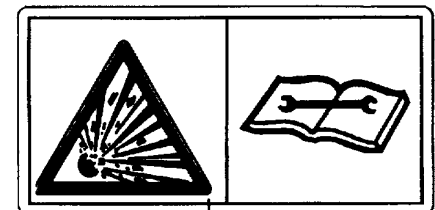
1



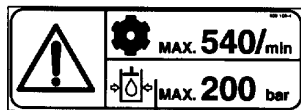
2



3



4



5

## Warning Decals



## Warning Decals

Item	Part Number	Description	Serial # Ranges	KW-550	KW-670	KW-770	Notes
1	939.471.1	Decal		X	X	X	
2	939.472.2	Decal		X	X	X	
3	939.469.1	Decal		X	X	X	
4	939.529.0	Decal		X	X	X	
5	939.100.0	Decal		X	X	X	