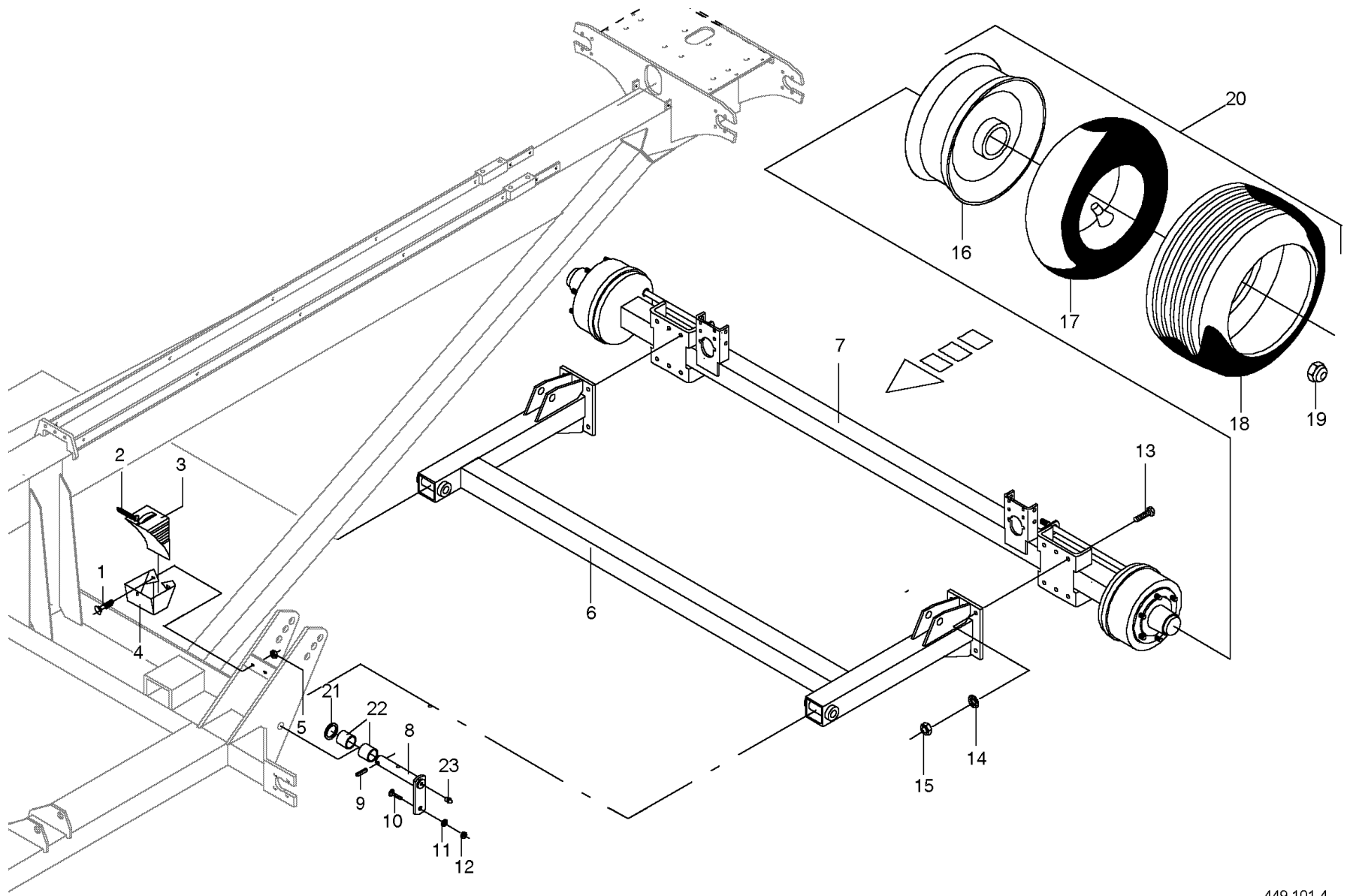


Table Of Contents

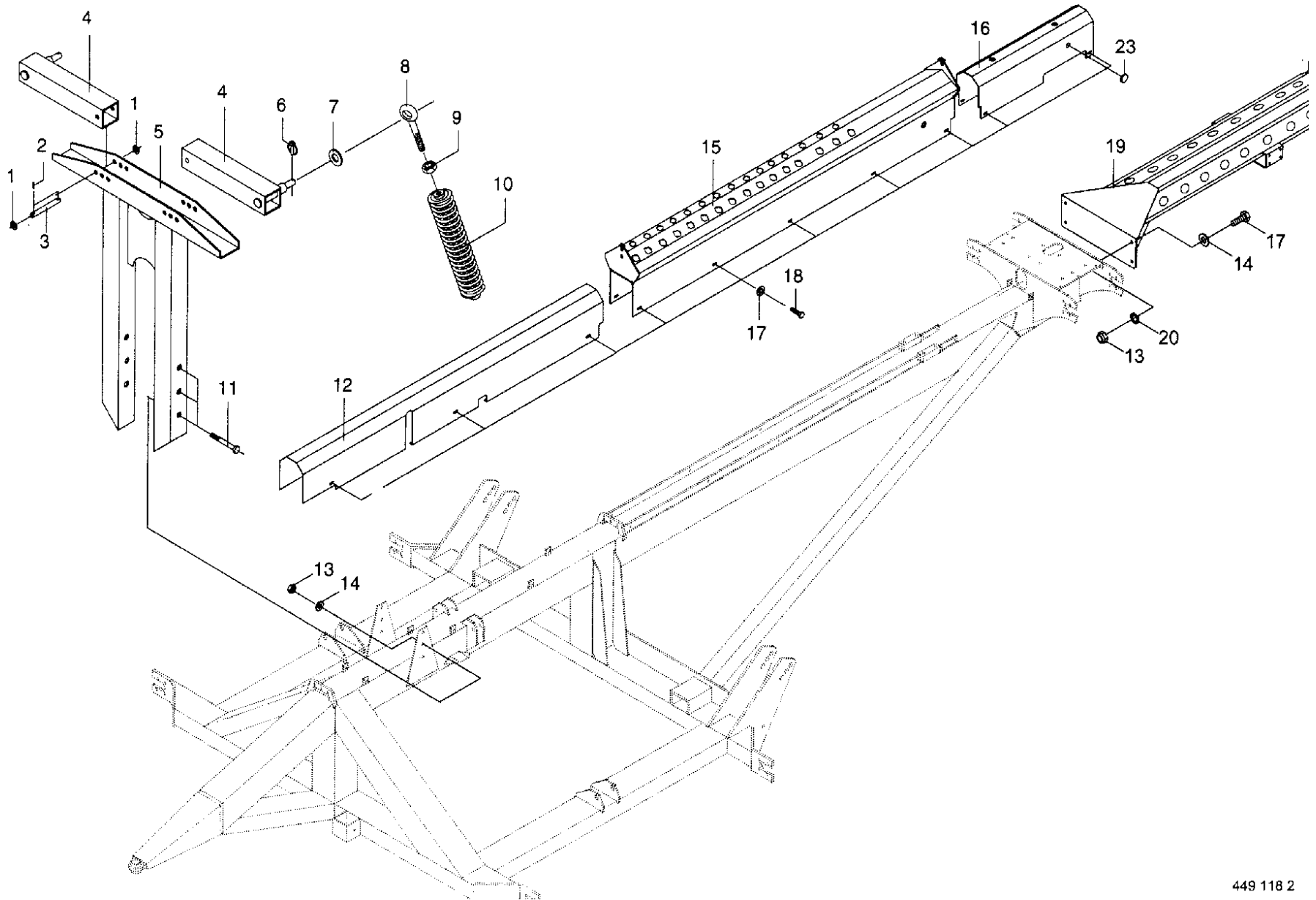
Main Axle	2	Rear Locking Mechanisms	58
Front Flotation Springs & Tine Carrier	4	Spring Compensation - Safety Frame	60
Rear Drive Shaft	6	Front Safety Frames	62
Auxiliary Gearbox	8	Windrow Curtain	64
Main Gearbox	10	Front Rotor Extension Hydraulics	66
Rotor Drive Gearbox	12	Front Rotor Extension Hydraulic Cylinder	68
Rotor Drive Gearbox	14	Hydraulics	70
Rotor Arm Front L/H & R/H	16	Rotor Lift Cylinder	72
Rotor Arm Front L/H & R/H	18	Rear Rotor Extension Hydraulic Cylinder	74
Rotor Housing Front R/H	20	Rear Rotor Extension Hydraulic Cylinder	76
Rotor Housing Front R/H	22	Axle Hydraulics	78
Rotor Housing Front L/H	24	Hydraulic Brakes	80
Rotor Housing Front L/H	26	Air Brakes	82
Cam Track	28	Air Brakes	84
Inner Tine Arm Front	30	Hand Brake	86
Outer Tine Arm Front	32	Electronic Controls	88
Front Rotor Chassis	34	Lighting	90
Front Rotor Chassis	36	Warning Panels	92
Rotor Height Adjustment Motor	38	Tool Box	94
Rotor Arm Rear L/H & R/H	40	Tine Savers	96
Rotor Arm Rear L/H & R/H	42	Wide Angle Universal Joint	98
Pulling Support	44	Double Universal Joint	100
Rotor Housing Rear L/H & R/H	46	Rotor PTO Shaft	102
Inner Tine Arm Rear	48	PTO Shaft	104
Outer Tine Arm Rear	50	PTO Shaft	106
Rear Rotor Chassis	52	General Information Decals	108
Rear Rotor Chassis	54	Warning Decals	110
Front Locking Mechanisms	56		



Main Axle

Main Axle

Item	Part Number	Description	Serial # Ranges	KS-1250	Notes
1	905.230.0	Flat Round Bolt		X	M8 X 16
2	201.359.0	Tension Spring		X	
3	015.528.1	Wheel Chock		X	Includes Item 2
4	168.156.4	Bracket for Wheel Chock		X	
5	908.706.0	Hex Nut		X	M8
6	266.044.0	Frame		X	
7	266.045.0	Axle Complete		X	
8	266.078.0	Pin		X	Rd. 30 X 171
9	912.672.0	Roll Pin		X	8 X 50
10	904.884.0	Flat Round Bolt		X	M12 X 35
11	909.909.0	Detent Edged Washer		X	SKM 10
12	908.758.0	Hex Nut		X	M10
13	900.676.0	Hex Head Bolt		X	M16 X 45
14	909.912.0	Detent Edged Washer		X	SKM 16
15	908.716.1	Hex Nut		X	NM16
16	953.125.0	Rim		X	16.00 X 17
	953.172.0	Rim		X	16.00 X 22.5
17	953.331.0	Tube		X	500/50-17 TR 15
	953.349.0	Tube		X	500/45-22.5
18	953.243.0	Tire		X	500/50-17 10 PR
	953.293.0	Tire		X	500/45-22.5 12 PR, Twin 404
19	938.976.0	Protecting Cap		X	SW 24
20	953.060.0	Wheel		X	500/50-17 10 PR
	953.431.0	Wheel L/H		X	500/60-22.5, Twin 404
	953.430.0	Wheel R/H		X	500/60-22.5, Twin 404
21	910.516.1	Washer		X	33 X 56 X 4
22	934.901.0	Bearing Bushing		2	MB 3040 DU
23	919.105.0	Grease Nipple		X	AM 8 X 1

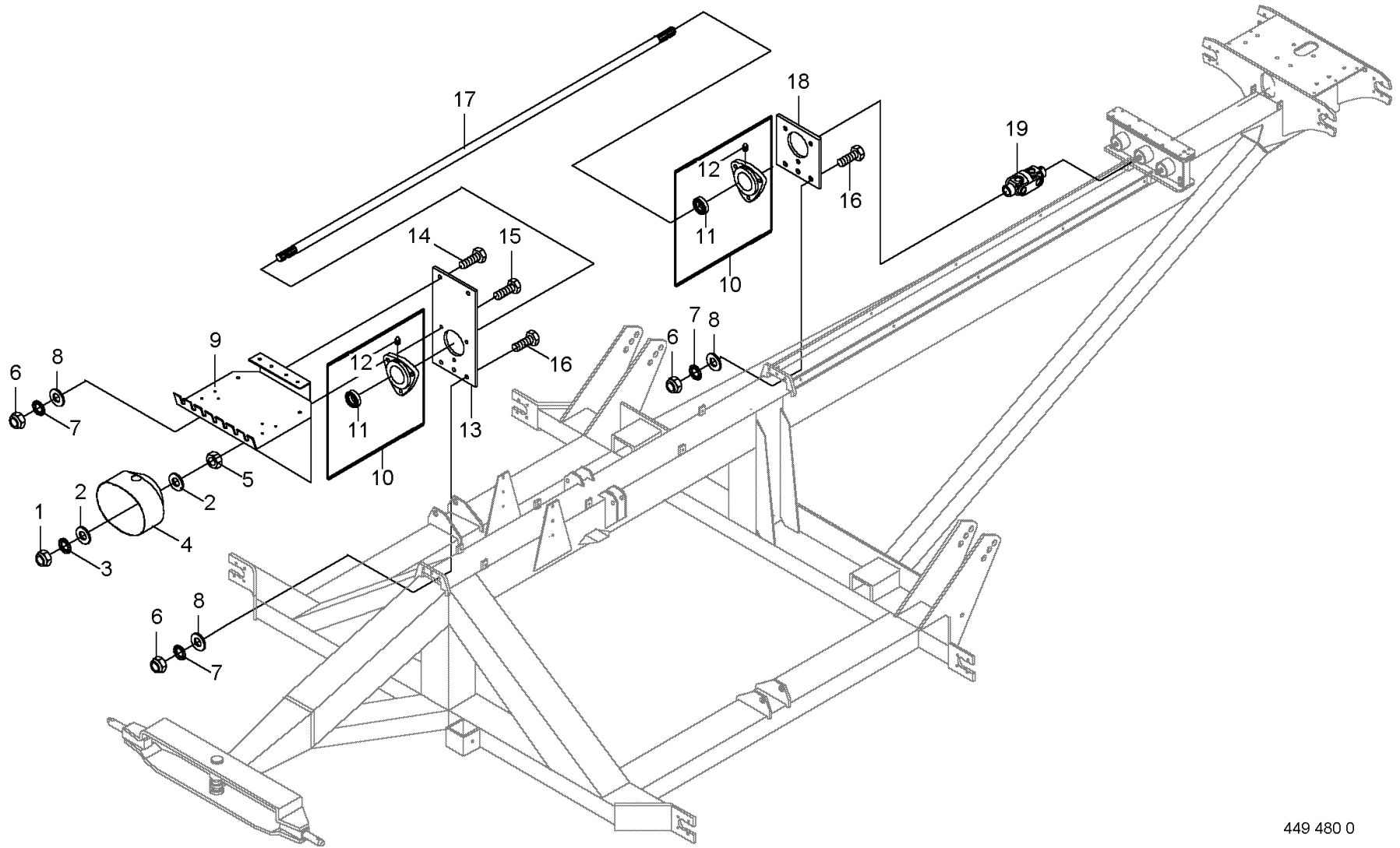


449 118 2

Front Flotation Springs & Tine Carrier

Front Flotation Springs & Tine Carrier

Item	Part Number	Description	Serial # Ranges	KS-1250	Notes
1	910.512.2	Washer		X	B 21
2	912.673.0	Roll Pin		X	8 X 36
3	250.309.0	Pin		X	
4	266.076.0	Self-Aligning Arm		X	
5	266.075.0	Frame		X	
6	917.009.0	Lynch Pin		X	8 X 42
7	910.514.1	Washer		X	26 X 44 X 4
8	266.077.0	Bolt		X	Rd. 50 X 280
9	908.525.1	Hex Nut		X	M20
10	229.264.0	Tension Spring		X	
11	901.490.0	Hex Head Bolt		X	M16 X 120
12	266.058.0	Guard Front		X	
13	908.716.1	Hex Nut		X	NM16
14	910.356.0	Washer		X	R 18
15	266.105.0	Tine Carrier		X	
16	266.120.1	Rear Guard		X	
17	910.353.0	Washer		X	R 11
18	900.634.0	Hex Head Bolt		X	M10 X 20
19	266.100.0	Tine Carrier Back		X	
20	909.912.0	Detent Edged Washer		X	SKM 16
23	925.005.0	Plastic Guard		X	

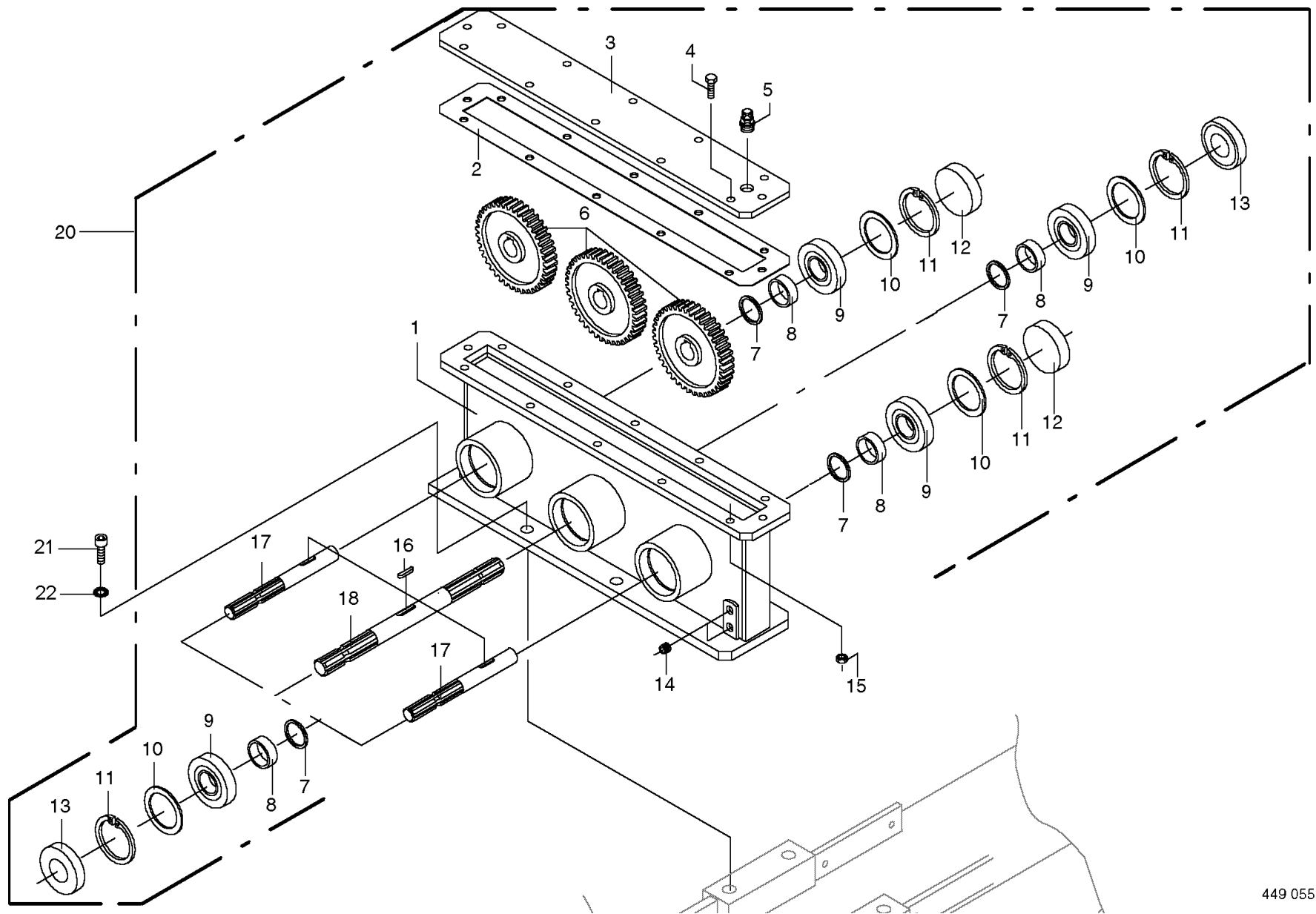


449 480 0

Rear Drive Shaft

Rear Drive Shaft

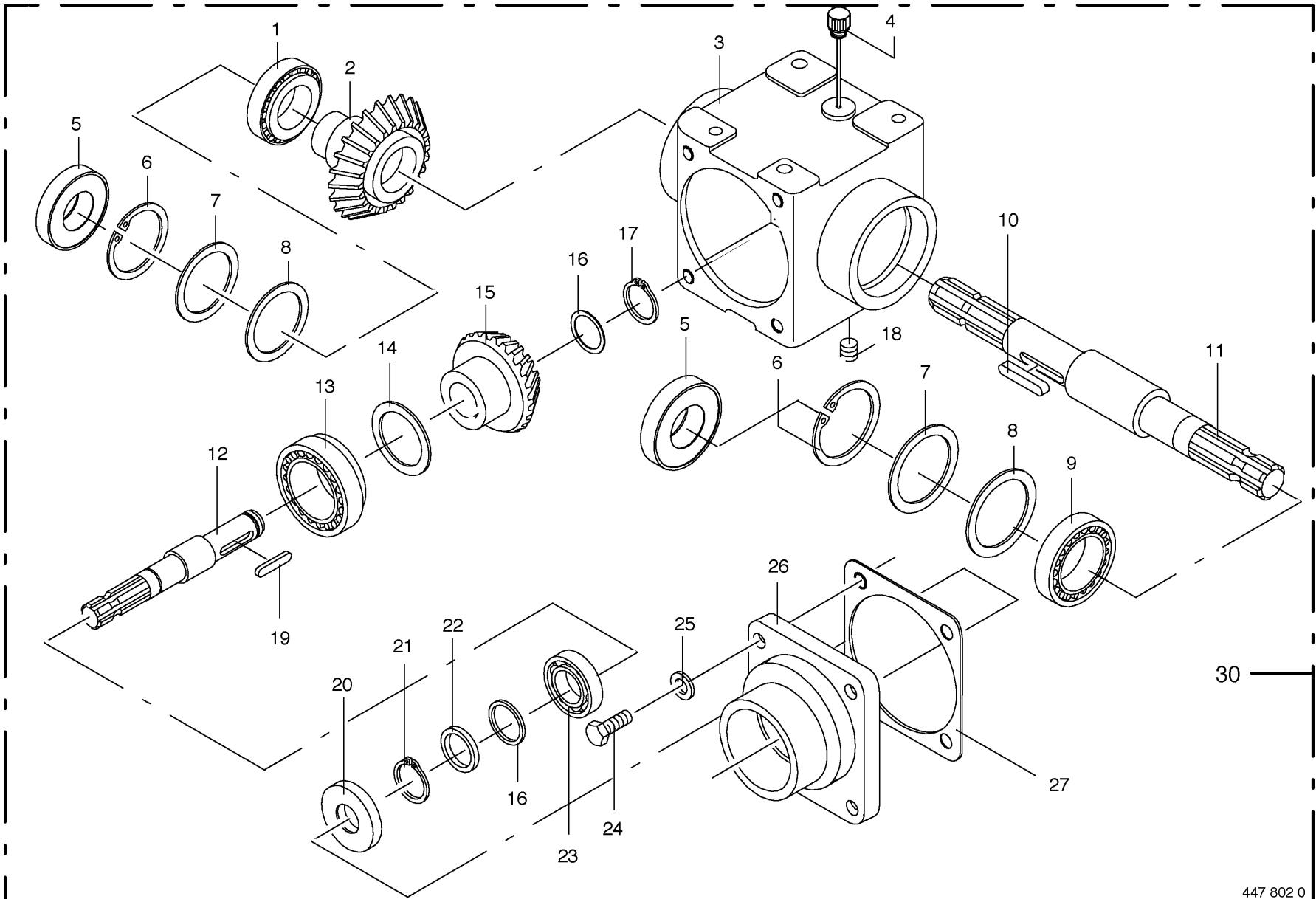
Item	Part Number	Description	Serial # Ranges	KS-1250	Notes
1	908.758.0	Hex Nut		X	M10
2	910.414.0	Washer		X	A 10.5
3	909.909.0	Detent Edged Washer		X	SKM 10
4	955.354.0	Protecting Cup		X	
5	908.212.0	Hex Nut		X	M10
6	908.701.0	Hex Nut		X	M12
7	909.910.0	Detent Edged Washer		X	SKM 12
8	910.315.3	Washer		X	13 X 24 X 2.5
9	283.471.0	Plug Holder		X	
10	934.130.0	Flange Bearing Complete		X	
11	934.617.0	Bearing		X	GEM 207
12	919.105.0	Grease Nipple		X	AM 8 X 1
13	266.110.0	Metal Bearing		X	
14	900.655.0	Hex Head Bolt		X	M12 X 25
15	900.638.0	Hex Head Bolt		X	M10 X 35
16	900.657.0	Hex Head Bolt		X	M12 X 35
17	266.056.0	Drive Shaft		X	Rd. 35 X 3770
18	266.057.0	Metal Bearing		X	
19	949.183.0	Universal Joint		X	1 3/8" - 6 Spline



Auxiliary Gearbox

Auxiliary Gearbox

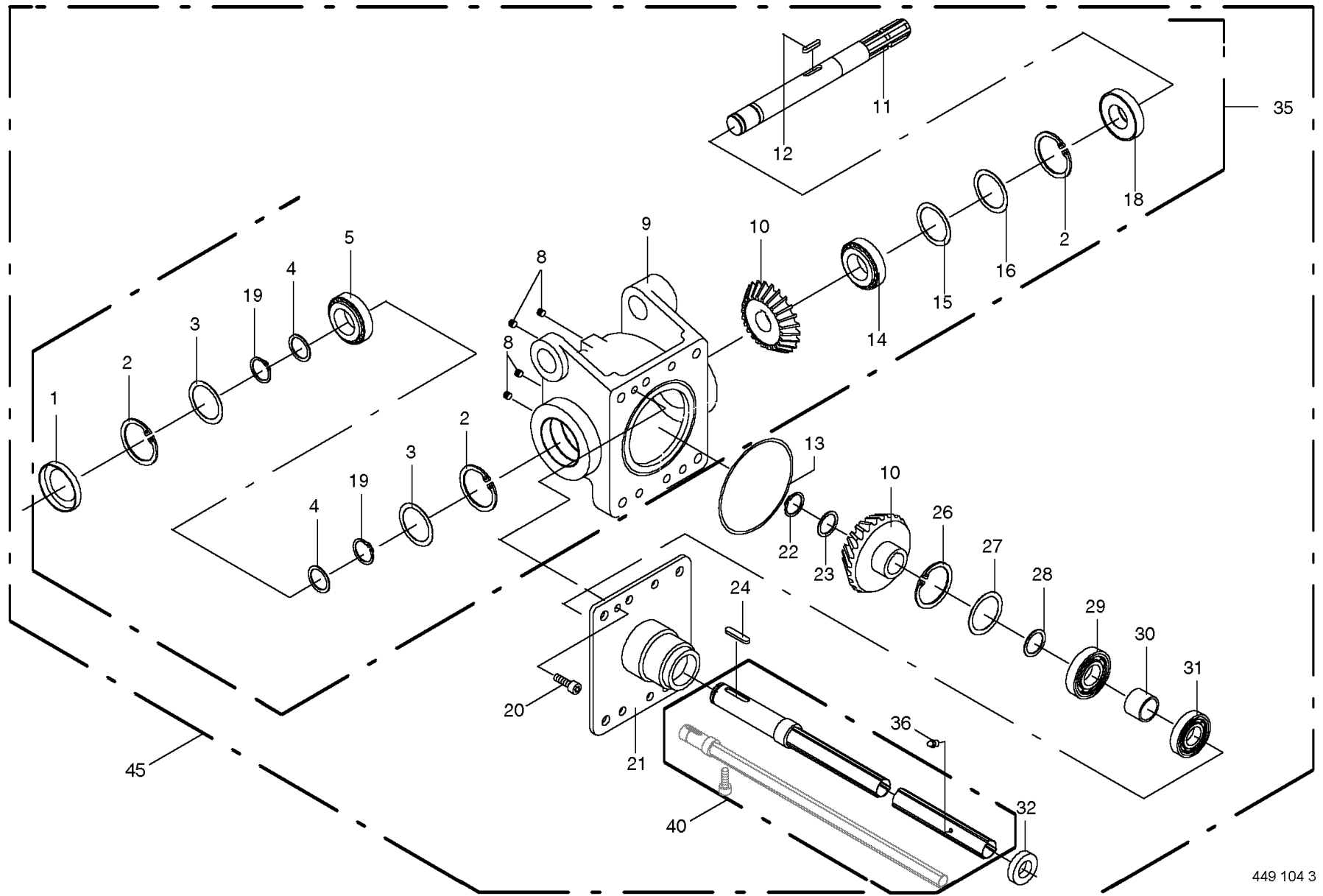
Item	Part Number	Description	Serial # Ranges	KS-1250	Notes
1	266.047.0	Gearbox Housing		X	.5mm Thick M10 X 35 M18 X 1.5 - .2 Bar
2	266.051.0	Gearbox Seal		X	
3	266.039.0	Gearbox Cover		X	
4	900.638.0	Hex Head Bolt		X	
5	919.811.0	Breather		X	
6	146.547.1	Spur Gear		X	Z=44
7	911.134.0	Shim		X	35 X 45 X 1.0
	911.133.0	Shim		X	35 X 45 X .5
8	266.050.0	Spacer Ring		X	Ro. 44.5 X 4.5 X 16
9	930.537.0	Bearing		X	6207 2RS
10	911.160.0	Shim		X	60 X 72 X .1
	911.162.0	Shim		X	60 X 72 X .3
	911.164.0	Shim		X	60 X 72 X 1.0
11	911.668.0	Shim		X	172 X 2.5
12	925.203.0	Core Plug		X	72
13	936.337.0	Radial Seal		X	B2 35 X 72 X 12
14	906.040.1	Screw Plug		X	M18 X 1.5
15	908.758.0	Hex Nut		X	M10
16	915.011.0	Flat Key		X	B 10 X 8 X 20
17	266.049.0	Gearbox Shaft		X	Rd. 37 X 203
18	266.048.0	Gearbox Shaft		X	Rd. 37 X 312
20	266.046.0	Auxiliary Gearbox Complete		X	
	926.101.0	Oil		X	1 Liter SAE 90
21	903.208.0	Allen Screw		X	M16 X 30
22	909.904.0	Detent Edged Washer		X	SKZ 16



Main Gearbox

Main Gearbox

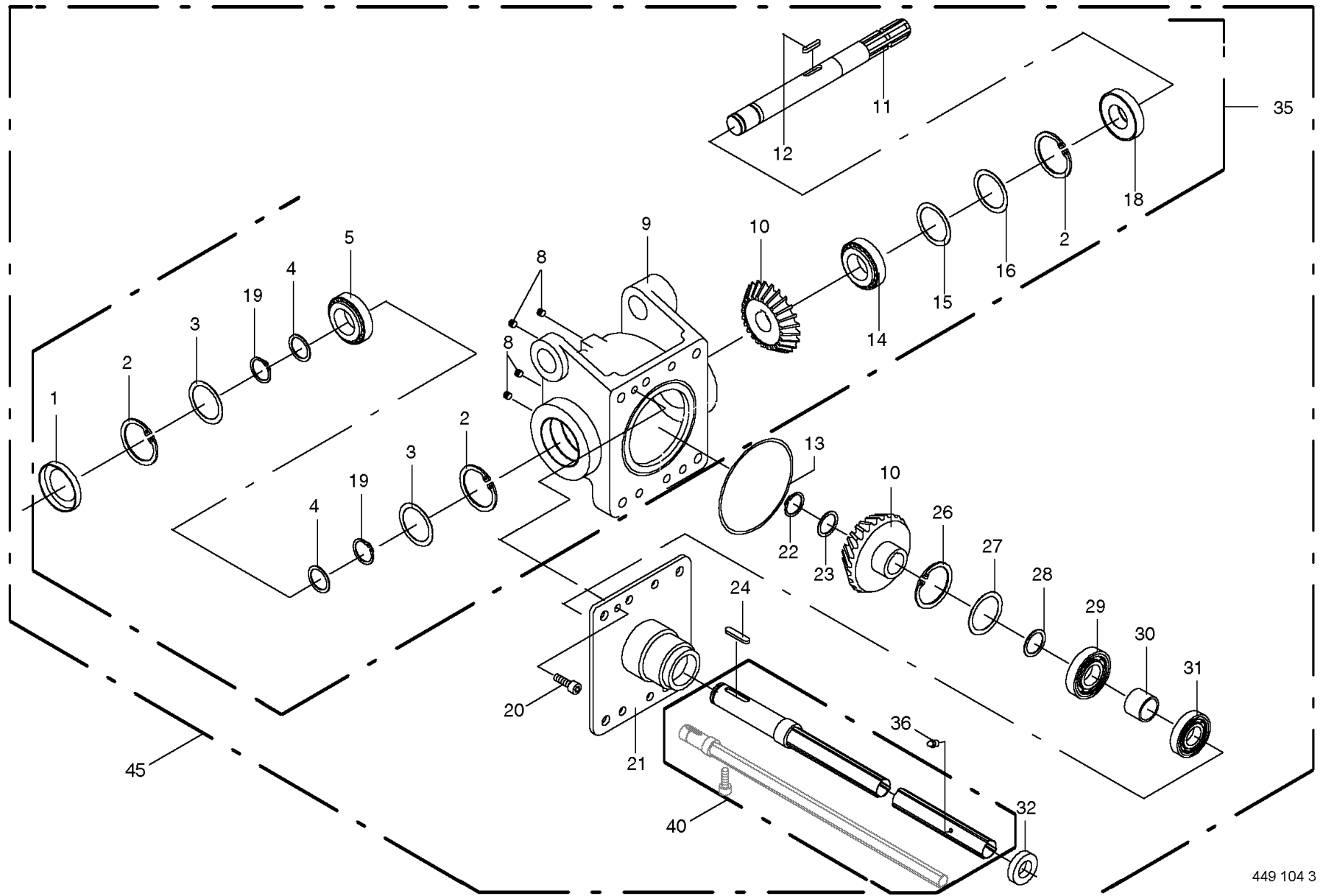
Item	Part Number	Description	Serial # Ranges	KS-1250	Notes
1	932.177.0	Tapered Roller Bearing		X	32010 X
2	146.985.0	Bevel Wheel		X	Z=22
3	145.396.1	Gearbox Housing		X	
4	490.161.1	Oil Level Dipstick		X	
5	936.339.0	Radial Seal		X	B2 35 X 80 X 13
6	911.673.0	Circlip		X	I 80 X 2.5
7	910.741.0	Washer		X	S 63 X 80 X 3.0
8	911.022.0	Shim		X	70 X 80 X .1
	911.023.0	Shim		X	70 X 80 X .3
	911.024.0	Shim		X	70 X 80 X 1.0
9	930.167.0	Bearing		X	6307
10	915.122.0	Flat Key		X	A 10 X 8 X 40
11	154.019.0	Gearbox Shaft		X	42 X 430
12	145.215.3	Gearbox Shaft		X	42 X 193
13	932.155.0	Tapered Roller Bearing		X	32210 A
14	910.900.0	Shim		X	50 X 62 X .1
	910.902.0	Shim		X	50 X 62 X .3
	910.903.0	Shim		X	50 X 62 X .5
	910.904.0	Shim		X	50 X 62 X 1.0
15	146.984.0	Bevel Wheel		X	Z=16
16	911.132.0	Shim		X	35 X 45 X .3
	911.133.0	Shim		X	35 X 45 X .5
	911.134.0	Shim		X	35 X 45 X 1.0
17	911.541.0	Circlip		X	A 35 X 1.5
18	906.040.1	Screw Plug		X	M18 X 1.5
19	915.122.0	Flat Key		X	A 10 X 8 X 40
20	936.337.0	Radial Seal		X	B2 35 X 72 X 12
21	911.541.0	Circlip		X	A 35 X 1.5
22	910.727.0	Washer		X	S 35 X 45 X 2.5
23	930.137.0	Bearing		X	6207
24	900.655.0	Hex Head Bolt		X	M12 X 25
25	909.910.0	Detent Edged Washer		X	SKM 12
26	146.976.2	Gearbox Cover		X	
27	145.212.0	Gearbox Seal		X	
30	154.018.0	Main Gearbox Complete		X	
	926.101.0	Oil		X	1 Liter SAE 90



Rotor Drive Gearbox

Rotor Drive Gearbox

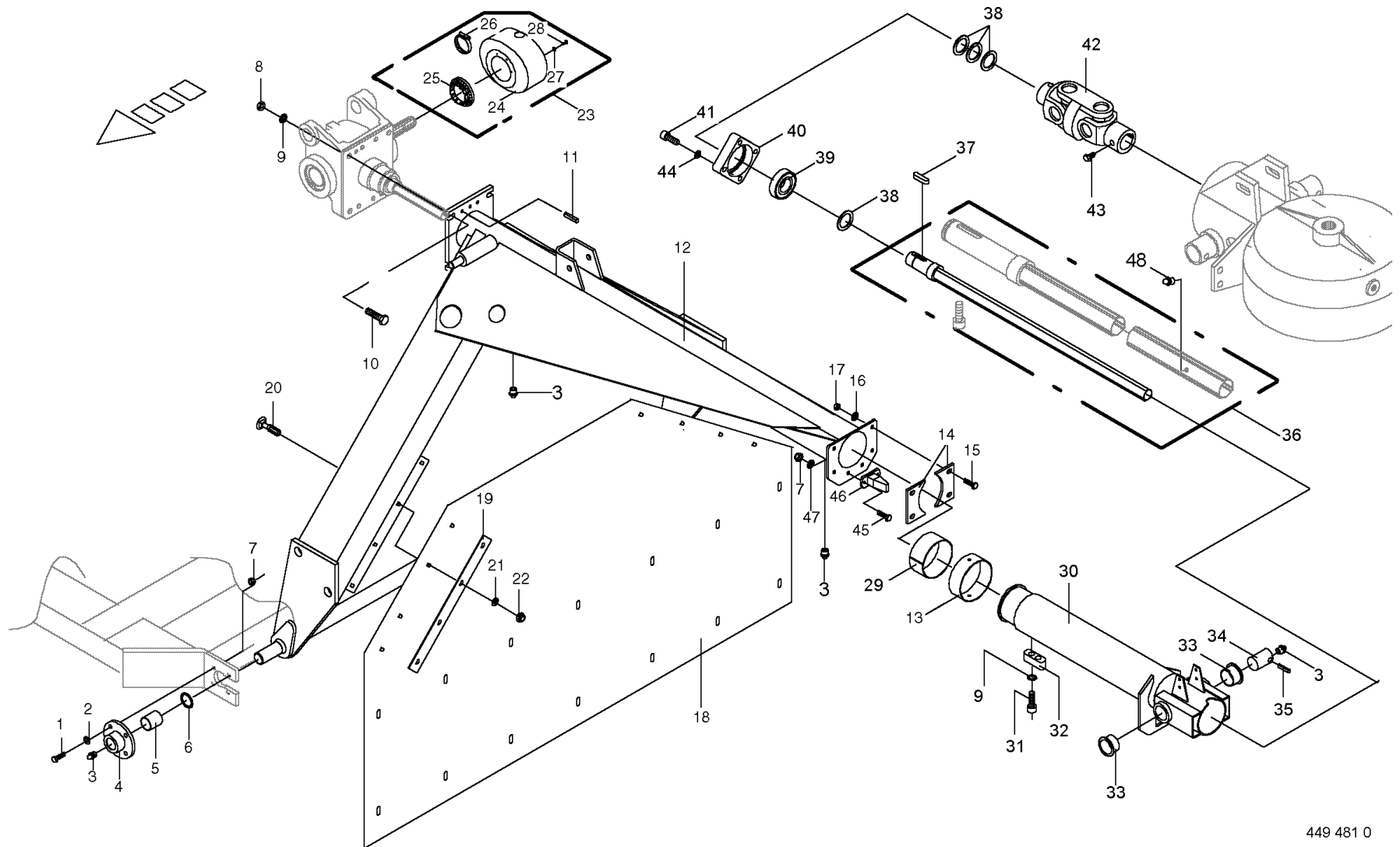
Item	Part Number	Description	Serial # Ranges	KS-1250	Notes
1	925.205.1	Core Plug		X	Rd. 80
2	911.673.0	Circlip		X	180 X 2.5
3	910.965.0	Shim		X	63 X 80 X 2.0
	910.962.0	Shim		X	63 X 80 X .3
	910.960.0	Shim		X	63 X 80 X .1
4	911.136.1	Shim		X	35 X 45 X 2.0
	911.132.0	Shim		X	35 X 45 X .3
	911.130.0	Shim		X	35 X 45 X .1
5	930.167.0	Bearing		X	6307
8	906.040.1	Screw Plug		X	M18 X 1.5
9	139.661.1	Gearbox Housing		X	
10	145.213.1	Bevel Wheel		X	Z=22
11	139.662.0	Drive Shaft		X	Rd. 37 X 310
12	915.108.0	Flat Key		X	A 10 X 8 X 30
13	937.546.0	O-Ring		X	Or. 140 X 3
14	932.177.0	Tapered Roller Bearing		X	32010 X
15	911.024.0	Shim		X	70 X 80 X 1.0
	910.965.0	Shim		X	63 X 80 X 2.0
	910.962.0	Shim		X	63 X 80 X .3
	910.960.0	Shim		X	63 X 80 X .1
16	910.741.0	Washer		X	S 63 X 80 X 3.0
18	936.339.0	Radial Seal		X	B2 35 X 80 X 13
19	911.541.0	Circlip		X	A 35 X 1.5
20	903.106.0	Allen Screw		X	M10 X 25
21	266.071.0	Gearbox Cover		X	
22	911.519.0	Circlip		X	A 35 X 2.5
23	911.134.0	Shim		X	35 X 45 X 1.0
	911.133.0	Shim		X	35 X 45 X .5
	911.132.0	Shim		X	35 X 45 X .3
24	915.122.0	Flat Key		X	A 10 X 8 X 40
26	911.668.0	Circlip		X	172 X 2.5
27	911.164.0	Shim		X	60 X 72 X 1.0
	911.162.0	Shim		X	60 X 72 X .3
28	911.134.0	Shim		X	35 X 45 X 1.0
29	930.137.0	Bearing		X	6207
30	153.322.0	Spacer Bushing		X	
31	930.507.0	Bearing		X	6007 2RS
32	936.150.2	Radial Seal		X	BA 40 X 55 X 7



Rotor Drive Gearbox

Rotor Drive Gearbox

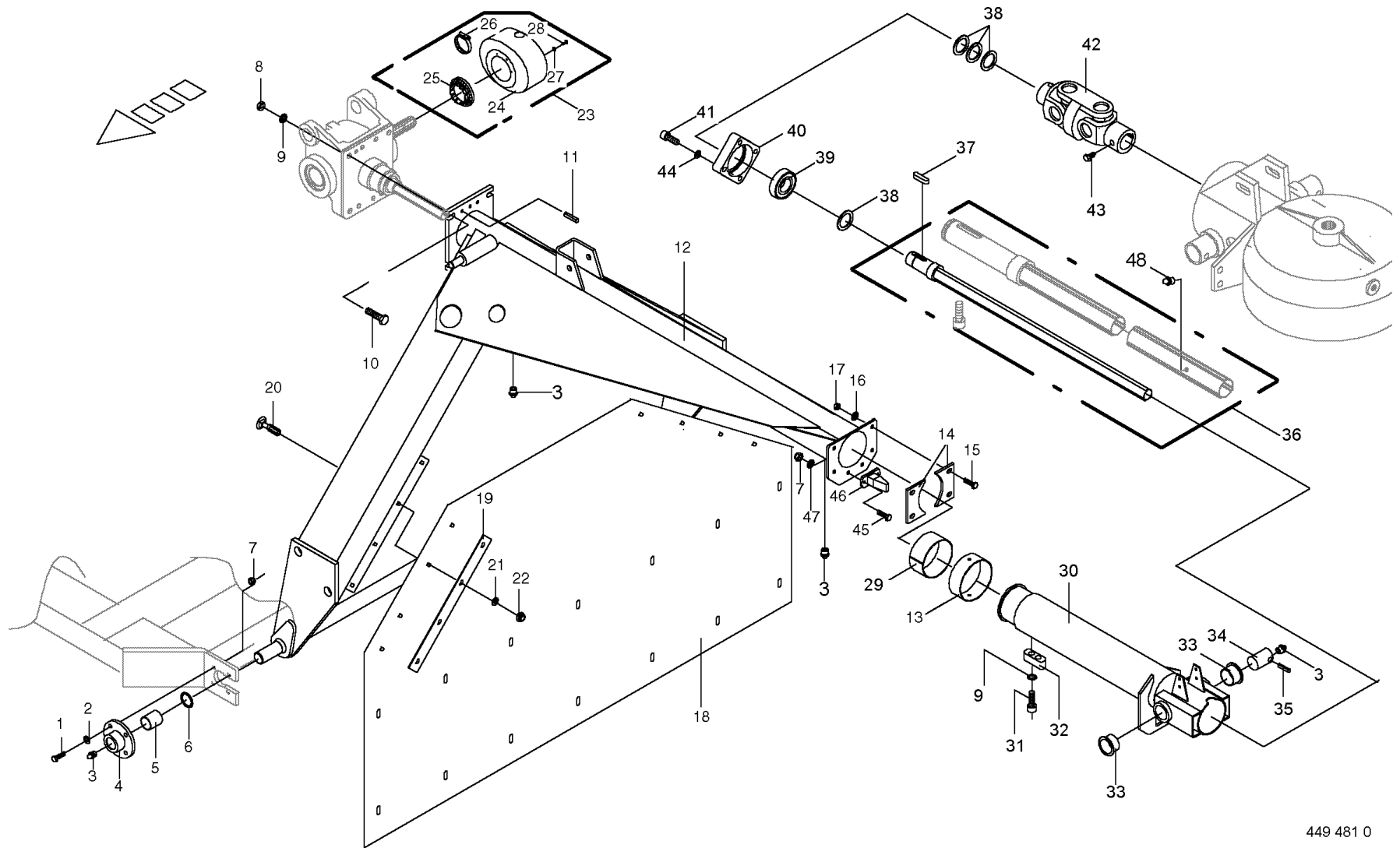
Item	Part Number	Description	Serial # Ranges	KS-1250	Notes
35	266.069.0	Gearbox		X	.5 Liter SAE 90 AM 6 X 1
	926.101.0	Oil		X	
36	919.202.0	Grease Fitting		X	
40	266.257.0	Profile Tube		X	
45	266.258.0	Gearbox		X	
	926.101.0	Oil		X	1 Liter SAE 90



Rotor Arm Front L/H & R/H

Rotor Arm Front L/H & R/H

Item	Part Number	Description	Serial # Ranges	KS-1250	Notes
1	900.658.0	Hex Head Bolt		X	M12 X 40
2	910.506.0	Washer		X	13 X 24 X 2.5
3	919.105.0	Grease Fitting		X	AM 8 X 1
4	154.686.0	Bearing Flange		X	Includes Item 5
5	934.935.0	Bearing Bushing		X	4050 DU
6	910.891.0	Shim		X	40 X 50 X 1.0
	910.885.0	Shim		X	40 X 50 X 2.0
7	908.701.0	Hex Nut		X	M12
8	908.716.1	Hex Nut		X	NM16
9	909.912.0	Detent Edged Washer		X	SKM 16
10	900.674.0	Hex Head Bolt		X	M16 X 35
11	915.780.1	Cylinder Pin		X	12 M6 X 28
12	266.065.0	Rotor Arm Inside Left		X	
	266.064.0	Rotor Arm Inside Right		X	
13	265.269.0	Bearing Bushing		X	113 X 123 X 40
14	265.474.0	Stop		X	
15	900.637.0	Hex Head Bolt		X	M10 X 30
16	909.909.0	Detent Edged Washer		X	SKM 10
17	908.758.0	Hex Nut		X	M10
18	266.263.0	Plastic Cloth		X	1.2 X 868 X 1440
19	266.262.0	Clamping Strap		X	
20	904.731.1	Flat Round Bolt		X	M8 X 20
21	909.908.0	Detent Edged Washer		X	SKM 8
22	908.706.0	Hex Nut		X	M8
23	139.881.0	Protecting Cup		X	
24	337.846.3	Protecting Cup		X	
25	949.842.0	Adapter Ring		X	
26	924.007.0	Hose Clamp		X	
27	910.351.1	Washer		X	6.4 X 18 X 1.6
28	906.809.0	Flat Round Bolt		X	
29	265.270.0	Bearing Bushing		X	
30	266.067.0	Rotor Arm Outer		X	Includes Item 33
31	904.013.0	Allen Screw		X	M16 X 45
32	265.402.0	Key		X	
33	934.905.0	Bushing		X	4026 DU
34	155.492.0	Pin		X	Rd. 40 X 114
35	912.773.1	Roll Pin		X	13 X 65
	912.719.0	Roll Pin		X	10 X 65

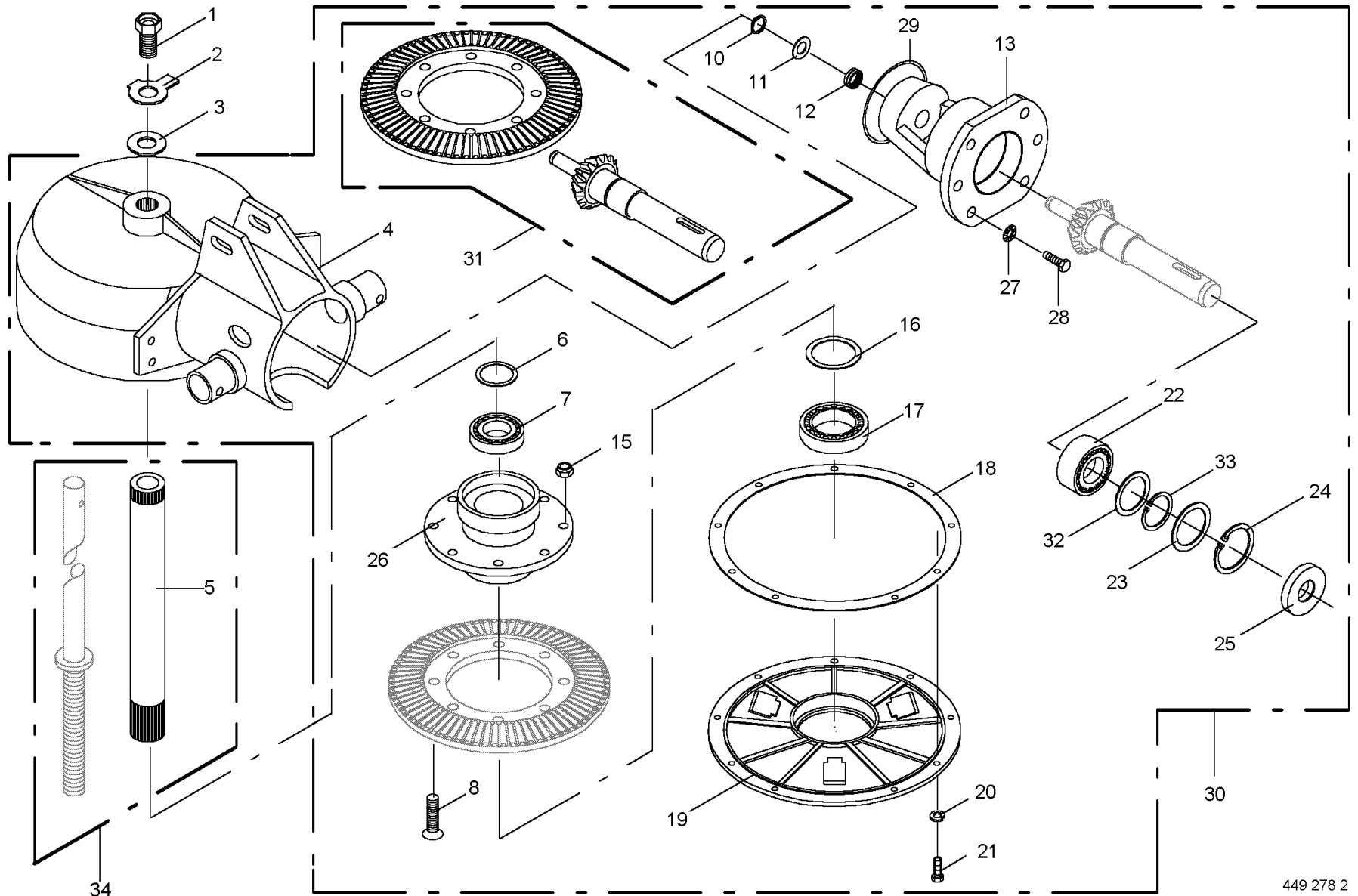


449 481 0

Rotor Arm Front L/H & R/H

Rotor Arm Front L/H & R/H

Item	Part Number	Description	Serial # Ranges	KS-1250	Notes
36	266.257.0	Profile Tube		X	Includes Item 31 B 8 X 7 X 32 30 X 42 X 2.0 AS 206 LLU
37	915.073.0	Flat Key		X	
38	910.865.0	Shim		X	
39	934.612.0	Bearing		X	
40	265.534.0	Bearing Flange		X	
41	903.109.0	Allen Screw		X	M10 X 35 Gr. 2 BM 10 X 16 SKZ 10 M12 X 35
42	949.154.1	Wide Angle Universal Joint		X	
43	902.402.0	Hex Head Bolt		X	
44	909.907.0	Detent Edged Washer		X	
45	900.657.0	Hex Head Bolt		X	
46	266.326.0	Stop		X	SKM 12 AM 6 X 1
47	909.910.0	Detent Edged Washer		X	
48	919.202.0	Grease Fitting		X	

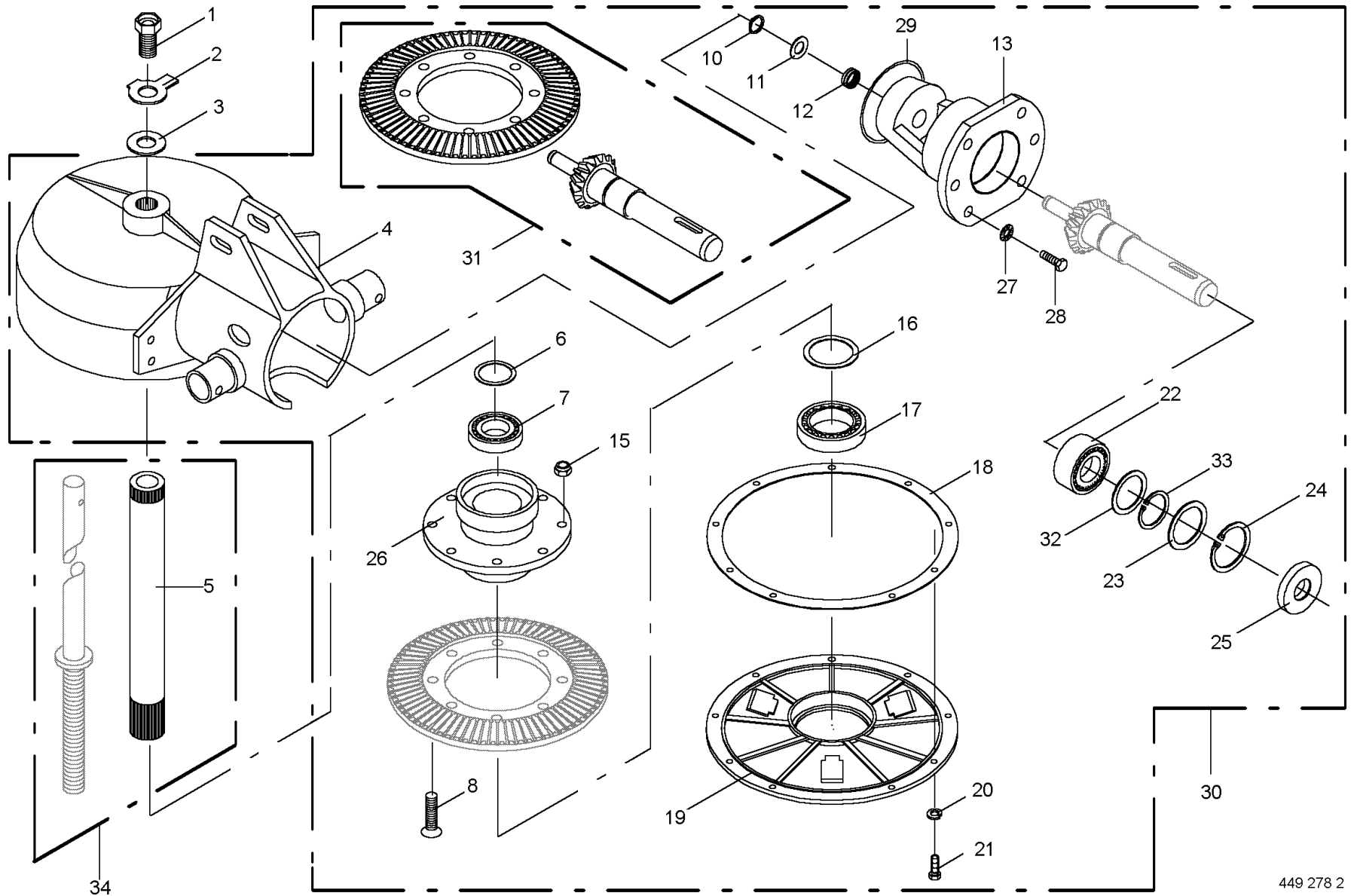


449 278 2

Rotor Housing Front R/H

Rotor Housing Front R/H

Item	Part Number	Description	Serial # Ranges	KS-1250	Notes
1	265.027.0	Bolt		X	
2	910.346.0	Washer		X	31 X 56 X 1.6
3	265.029.0	Washer		X	34 X 68 X 4
4	265.480.0	Gearbox Housing		X	
5	266.286.0	Hollow Shaft		X	
6	911.166.0	Shim		X	90 X 100 X .3
	911.168.0	Shim		X	90 X 100 X 1.0
7	930.157.0	Bearing		X	6018 2RS
8	904.065.1	Countersunk Screw		X	M12 X 40
10	911.511.0	Circlip		X	A 15 X 1.0
11	910.804.0	Shim		X	15 X 21 X .3
	910.805.0	Shim		X	15 X 21 X .5
	910.806.0	Shim		X	15 X 21 X 1.0
	910.821.0	Shim		X	16 X 35 X .3
	910.822.0	Shim		X	16 X 35 X .5
12	935.106.0	Roller		X	Hk 2020
13	265.482.0	Pinion Shaft Housing		X	
15	908.701.0	Hex Nut		X	M12
16	911.166.0	Shim		X	90 X 100 X .3
	911.168.0	Shim		X	90 X 100 X 1.0
17	930.323.0	Bearing		X	6018 2RS
18	265.459.0	Gearbox Gasket		X	
19	265.481.0	Gearbox Cover		X	
20	909.909.0	Detent Edged Washer		X	SKM 10
21	900.636.0	Hex Head Bolt		X	M10 X 25
22	931.122.0	Bearing		X	3207 2RS
23	910.912.0	Shim		X	56 X 72 X .3
	910.913.0	Shim		X	56 X 72 X .5
	910.914.0	Shim		X	56 X 72 X 1.0
	910.915.0	Shim		X	56 X 72 X 2.0
24	911.668.0	Circlip		X	I 72 X 2.5
25	936.337.0	Radial Seal		X	B2 35 X 72 X 12
26	265.361.0	Bearing Flange		X	
27	909.910.0	Detent Edged Washer		X	SKM 12
28	900.657.0	Hex Head Bolt		X	M12 X 35
29	937.566.0	O-Ring		X	Or. 98 X 3
30	265.489.0	Gearbox Complete		X	Z=79-9
	926.000.0	Semi-Fluid Gear Lubricant		X	

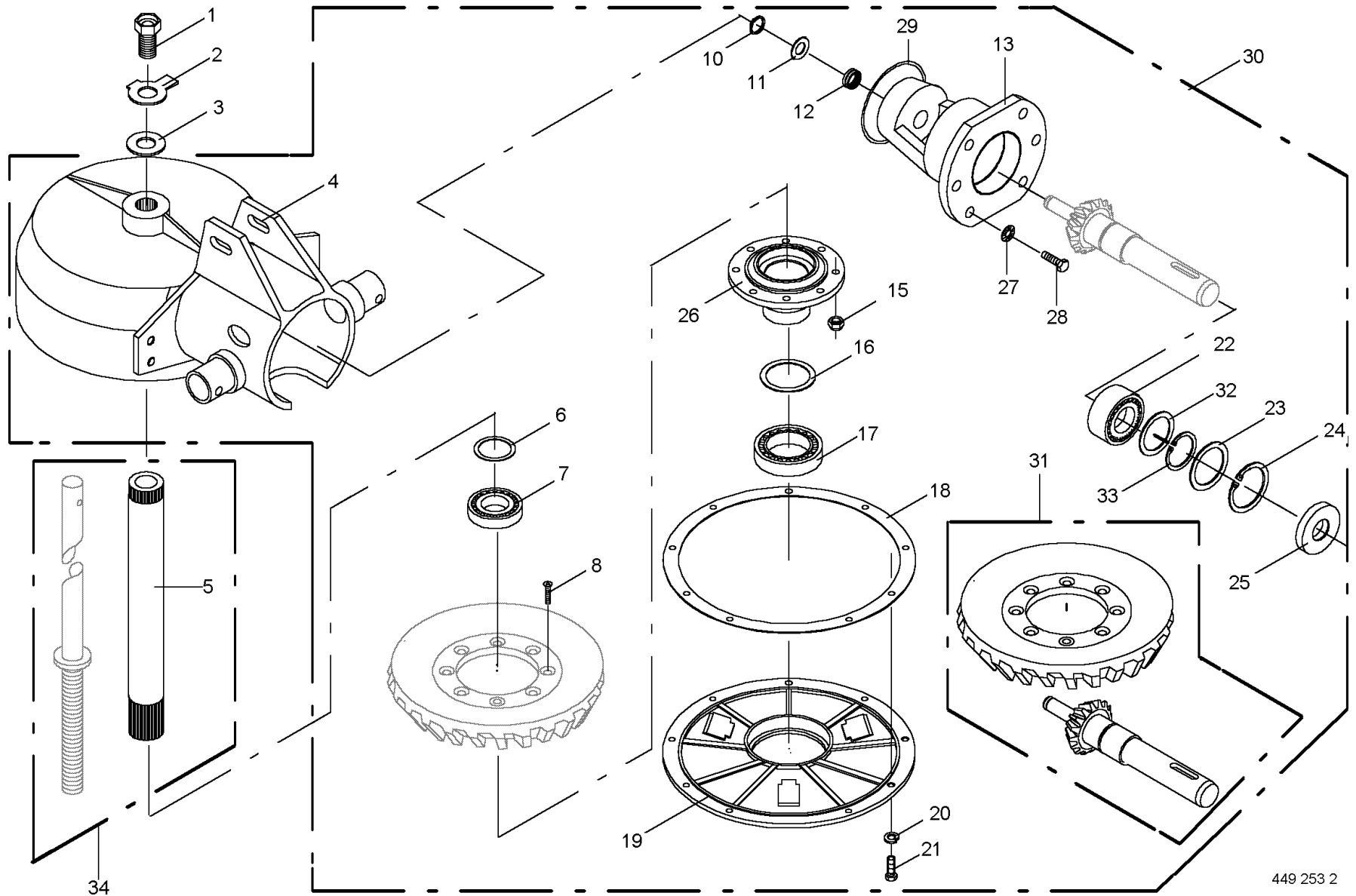


449 278 2

Rotor Housing Front R/H

Rotor Housing Front R/H

Item	Part Number	Description	Serial # Ranges	KS-1250	Notes
31	265.842.0	Ring Gear & Pinion Shaft		X	Z9 / Z79 M4.7
32	910.912.0	Shim		X	56 X 72 X .3
	910.913.0	Shim		X	56 X 72 X .5
	910.914.0	Shim		X	56 X 72 X 1.0
	910.915.0	Shim		X	56 X 72 X 2.0
33	911.541.0	Circlip		X	A 35 X 1.5
34	265.808.0	Shaft w/Spindle		X	

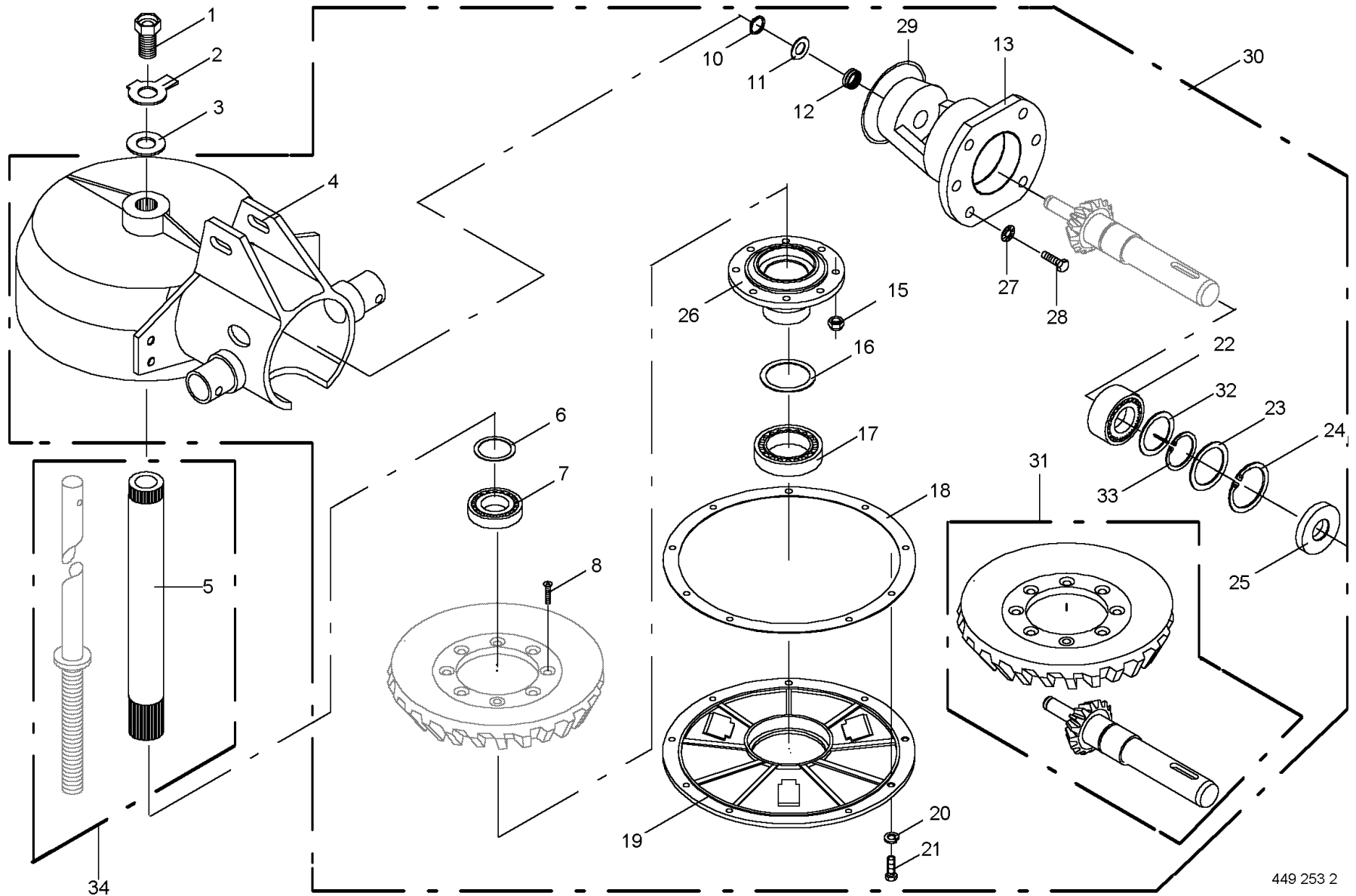


449 253 2

Rotor Housing Front L/H

Rotor Housing Front L/H

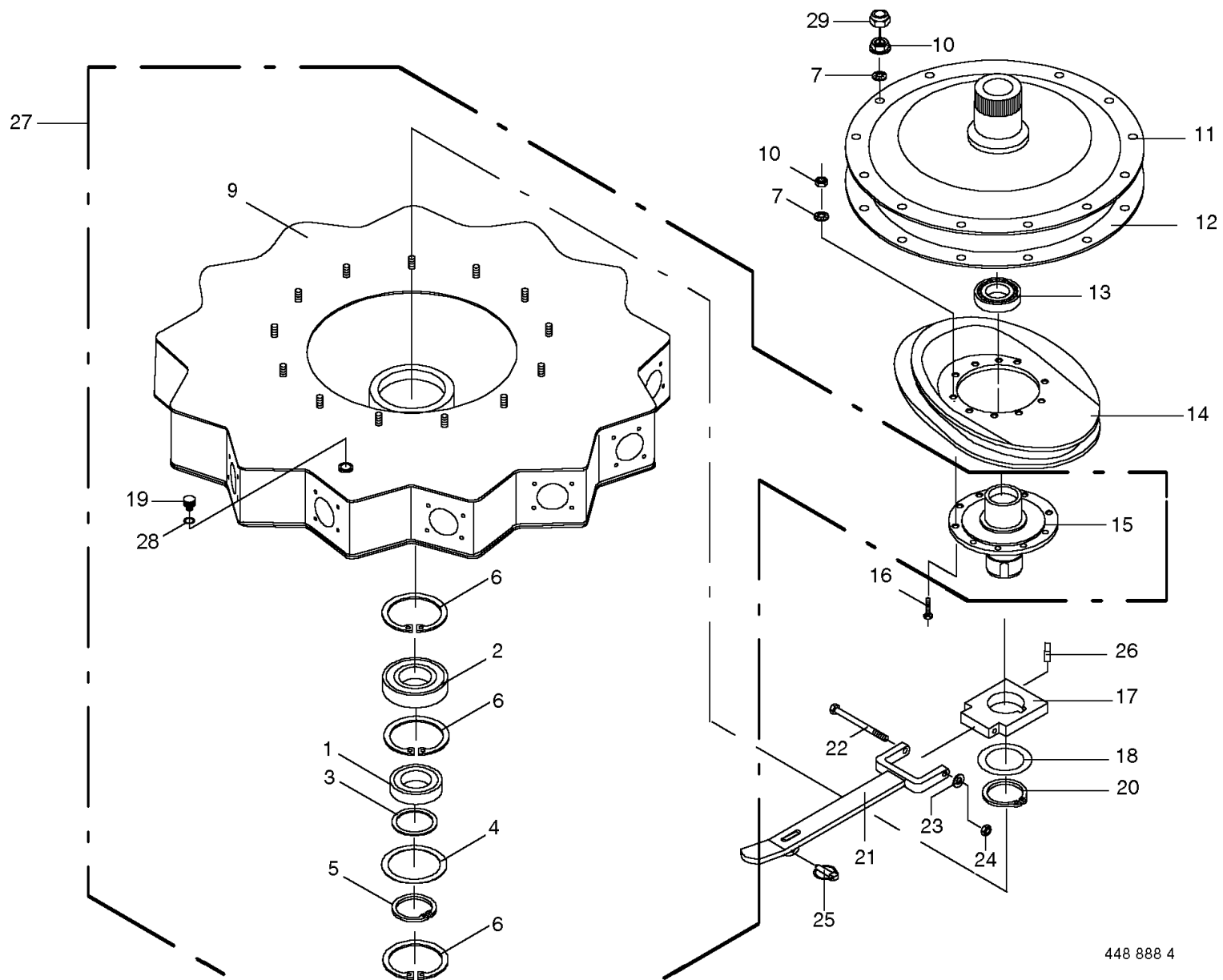
Item	Part Number	Description	Serial # Ranges	KS-1250	Notes
1	265.027.0	Bolt		X	
2	910.346.0	Washer		X	31 X 56 X 1.6
3	265.029.0	Washer		X	34 X 68 X 4
4	265.480.0	Gearbox Housing		X	
5	266.286.0	Hollow Shaft		X	
6	911.023.0	Shim		X	70 X 80 X .3
	911.024.0	Shim		X	70 X 80 X 1.0
7	930.157.0	Bearing		X	6018 2RS
8	904.065.1	Countersunk Screw		X	M12 X 40
10	911.511.0	Circlip		X	A 15 X 1.0
11	910.804.0	Shim		X	15 X 21 X .3
	910.805.0	Shim		X	15 X 21 X .5
	910.806.0	Shim		X	15 X 21 X 1.0
	910.821.0	Shim		X	16 X 35 X .3
	910.822.0	Shim		X	16 X 35 X .5
12	935.106.0	Roller		X	Hk 2020
13	265.482.0	Pinion Shaft Housing		X	
15	908.701.0	Hex Nut		X	M12
16	911.166.0	Shim		X	90 X 100 X .3
	911.168.0	Shim		X	90 X 100 X 1.0
17	930.323.0	Bearing		X	6018 2RS
18	265.459.0	Gearbox Gasket		X	
19	265.481.0	Gearbox Cover		X	
20	909.909.0	Detent Edged Washer		X	SKM 10
21	900.636.0	Hex Head Bolt		X	M10 X 25
22	931.122.0	Bearing		X	3207 2RS
23	910.912.0	Shim		X	56 X 72 X .3
	910.913.0	Shim		X	56 X 72 X .5
	910.914.0	Shim		X	56 X 72 X 1.0
	910.915.0	Shim		X	56 X 72 X 2.0
24	911.668.0	Circlip		X	I 72 X 2.5
25	936.337.0	Radial Seal		X	B2 35 X 72 X 12
26	265.023.0	Bearing Flange		X	
27	909.910.0	Detent Edged Washer		X	SKM 12
28	900.657.0	Hex Head Bolt		X	M12 X 35
29	937.566.0	O-Ring		X	Or. 98 X 3
30	266.210.0	Gearbox Complete		X	
	926.000.0	Semi-Fluid Gear Lubricant		X	



Rotor Housing Front L/H

Rotor Housing Front L/H

Item	Part Number	Description	Serial # Ranges	KS-1250	Notes
31	265.842.0	Ring Gear & Pinion Shaft		X	Z9 / Z79 M4.7
32	910.912.0	Shim		X	56 X 72 X .3
	910.913.0	Shim		X	56 X 72 X .5
	910.914.0	Shim		X	56 X 72 X 1.0
	910.915.0	Shim		X	56 X 72 X 2.0
33	911.541.0	Circlip		X	A 35 X 1.5
34	265.808.0	Shaft w/Spindle		X	

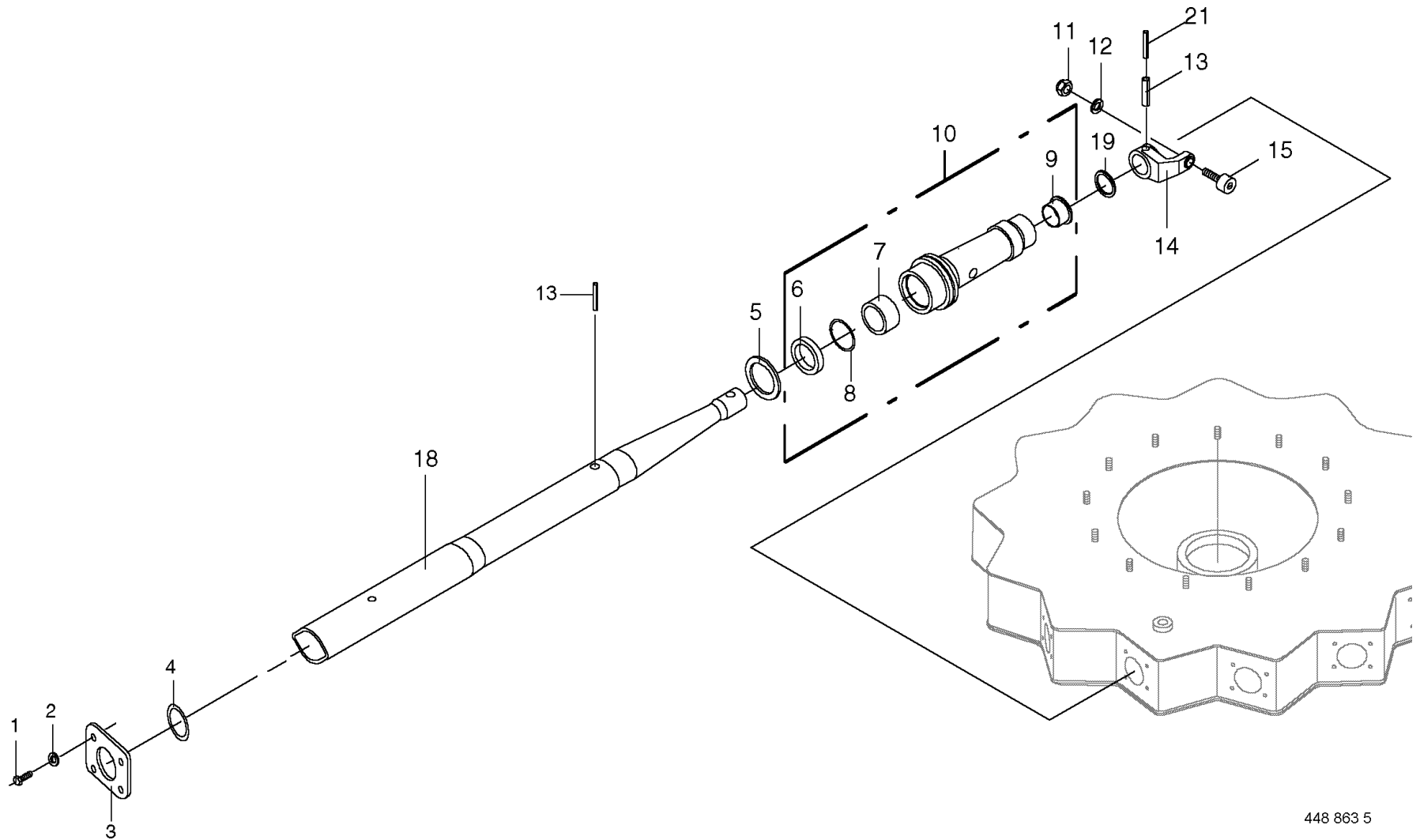


448 888 4

Cam Track

Cam Track

Item	Part Number	Description	Serial # Ranges	KS-1250	Notes
1	936.043.0	Radial Seal		X	A 75 X 115 X 12
2	930.283.0	Bearing		X	6015 2RS
3	910.820.0	Shim		X	75 X 95 X 1
	910.824.0	Shim		X	75 X 95 X .5
	910.861.0	Shim		X	75 X 95 X .3
4	910.835.0	Shim		X	95 X 115 X 1
	910.836.0	Shim		X	95 X 115 X .5
	910.875.0	Shim		X	95 X 115 X .3
5	911.570.0	Circlip		X	A 75 X 2.5
6	911.604.0	Circlip		X	I 115 X 4.0
7	909.910.0	Detent Edged Washer		X	SKM 12
9	265.350.0	Rotor L/H		X	13 Arm
	265.030.0	Rotor R/H		X	13 Arm
10	908.701.0	Hex Nut		X	M12
11	265.035.0	Rotor Hub		X	
12	265.039.0	Gasket		X	
13	930.156.0	Bearing		X	6012 2RS
14	265.050.0	Cam Track		X	
15	265.435.0	Hub		X	
16	900.657.0	Hex Head Bolt		X	M12 X 35
17	265.283.0	Adjuster		X	
18	910.741.0	Washer		X	S 63 X 80 X 3.0
19	906.010.0	Screw Plug		X	M18 X 1.5
20	911.562.0	Circlip		X	A 60 X 3.0
21	265.738.0	Hand Lever Front		2	
	265.806.0	Hand Lever Rear		2	
22	901.445.0	Hex Head Bolt		X	M10 X 120
23	910.414.0	Washer		X	A 10.5
24	908.758.0	Hex Nut		X	M10
25	917.009.0	Lynch Pin		X	8 X 42
26	915.245.0	Flat Key		X	B 18 X 11 X 20
27	265.433.0	Rotor w/Hub L/H		X	13 Arm
	265.432.0	Rotor w/Hub R/H		X	13 Arm
	926.000.0	Semi-Fluid Gear Lubricant		X	
28	937.727.0	Gasket		X	A 18 X 24 X 1.5
29	938.609.0	Protecting Cap		X	SW 19

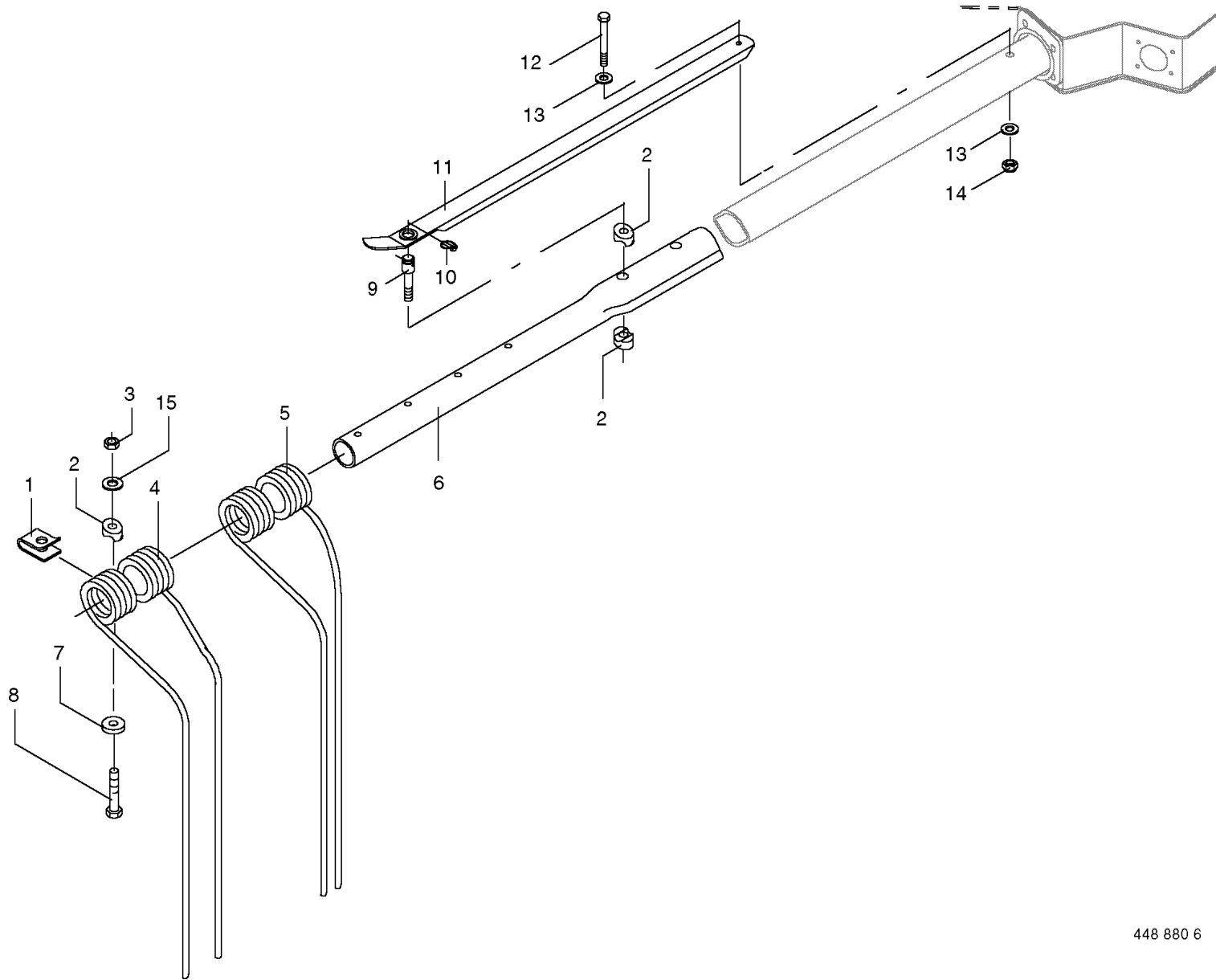


448 863 5

Inner Tine Arm Front

Inner Tine Arm Front

Item	Part Number	Description	Serial # Ranges	KS-1250	Notes
1	900.230.0	Hex Head Bolt		X	M10 X 35
2	909.909.0	Detent Edged Washer		X	SKM 10
3	265.038.0	Flange Plate		X	
4	937.501.0	O-Ring		X	Or. 70 X 3
5	935.300.0	Washer		X	45.5 X 66 X 5
6	936.024.0	Scraper		X	45 X 62 X 12
7	934.931.0	Bearing Bushing		X	4530 DU
8	911.802.0	Snap Ring		X	B 50 X 2.5
9	934.905.0	Bushing		X	4026 DU
10	265.199.0	Support with Bushing		X	
11	908.013.0	Hex Nut		X	M16 X 1.5
12	909.912.0	Detent Edged Washer		X	SKM 16
13	912.400.0	Roll Pin		X	14 X 55
14	265.048.0	Control Arm		X	
15	933.201.0	Cam Roller		X	
18	265.592.0	Profile Tube		26	Includes Item 13
19	910.885.0	Shim		X	40 X 50 X 2.0
21	912.677.0	Roll Pin		X	8 X 55

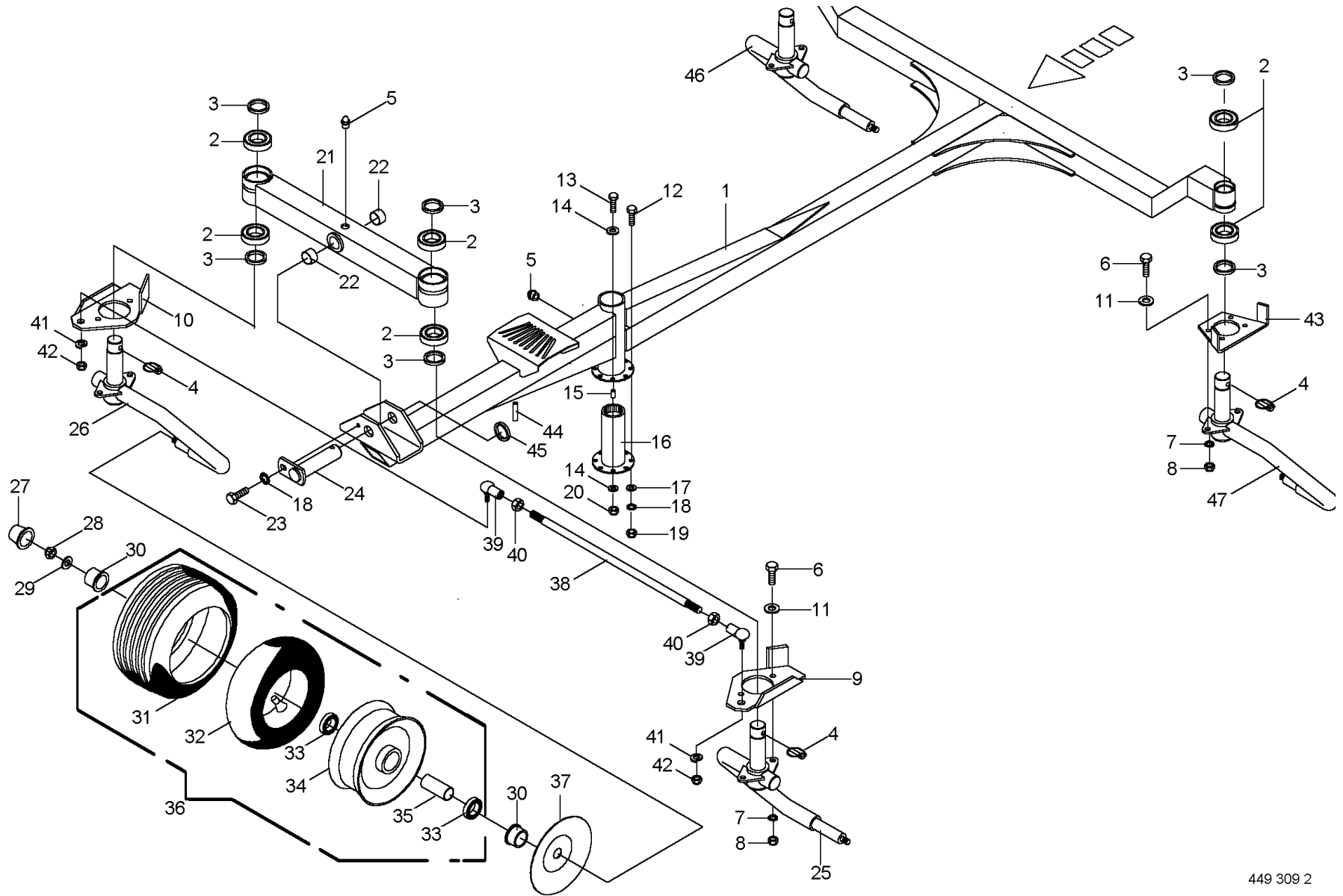


448 880 6

Outer Tine Arm Front

Outer Tine Arm Front

Item	Part Number	Description	Serial # Ranges	KS-1250	Notes
1	265.061.0	Clip		X	
2	153.021.0	Shim		X	
3	908.701.0	Hex Nut		X	M12
4	265.012.0	Tine L/H		39	Rd. 10
	265.010.0	Tine R/H		39	Rd. 10
5	265.013.0	Inside Tine L/H		13	Rd. 10
	265.011.0	Inside Tine R/H		13	Rd. 10
6	265.060.0	Tine Arm		26	
7	910.624.0	Washer		X	13.0 X 35 X 8
8	901.457.0	Hex Head Bolt		X	M12 X 85
9	265.596.0	Pin		X	
10	917.004.1	Lynch Pin		X	5 X 32
11	265.598.0	Plate Spring Complete		X	
12	901.049.1	Hex Head Bolt		X	M8 X 70
13	910.413.0	Washer		X	A 8.4
14	908.706.0	Hex Nut		X	M8
15	910.315.3	Washer		X	13 X 24 X 2.5

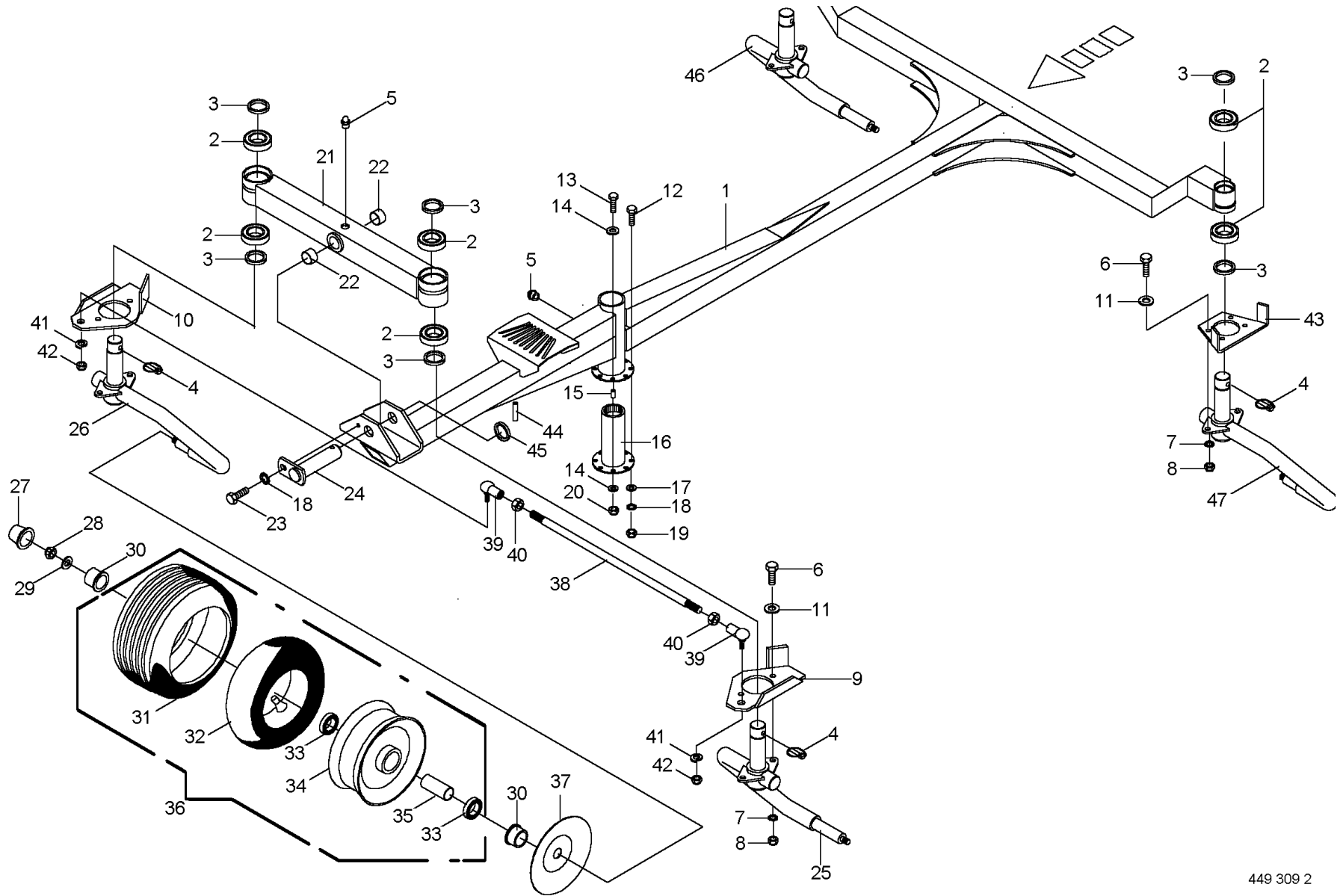


449 309 2

Front Rotor Chassis

Front Rotor Chassis

Item	Part Number	Description	Serial # Ranges	KS-1250	Notes
1	266.310.0	Chassis		X	6007 2RS 10 X 45 AM 8 X 1
2	930.507.0	Bearing		X	
3	015.066.0	Spacer Ring		X	
4	917.011.0	Lynch Pin		X	
5	919.105.0	Grease Fitting		X	
6	900.636.0	Hex Head Bolt		X	M10 X 25 SKM 10 M10
7	909.909.0	Detent Edged Washer		X	
8	908.758.0	Hex Nut		X	
9	266.309.0	Limit Stop L/H		X	
10	266.308.0	Limit Stop R/H		X	
11	910.414.0	Washer		X	A 10.5 M10 X 30 M6 X 25 6.4 X 18 X 1.6 12 X 12
12	900.637.0	Hex Head Bolt		X	
13	900.239.1	Hex Head Bolt		X	
14	910.351.1	Washer		X	
15	912.534.0	Roll Pin		X	
16	265.891.0	Profile Cover		X	A 10.5 SKM 10 M10 M6
17	910.414.0	Washer		X	
18	909.909.0	Detent Edged Washer		X	
19	908.758.0	Hex Nut		X	
20	908.704.1	Hex Nut		X	
21	266.318.0	Cross Beam		X	Includes Item 22 BB 3026 DU M10 X 20
22	934.909.0	Bushing		X	
23	900.634.0	Hex Head Bolt		X	
24	266.620.0	Pin		X	
25	265.894.0	Wheel Bracket Left Front		X	
26	265.895.0	Wheel Bracket Right Front		X	52 M12 13 X 37 X 3 48/25 X 13.5
27	938.833.0	Wheel Cap		X	
28	908.701.0	Hex Nut		X	
29	910.609.0	Washer		X	
30	938.832.0	Gasket Ring		X	
31	953.249.1	Tire		X	16 X 6.50-8 6 Ply 16.5 X 6.5-8 6 Ply 16 X 6.50-8 TR 13 6205 2RS 5.50 A-8
	953.275.0	Tire		X	
32	953.328.0	Tube		X	
33	930.535.0	Bearing		X	
34	953.158.0	Rim		X	
35	938.831.0	Distance Tube		X	30 X 1.5 X 34 16 X 6.50-8 6 Pr 16.5 X 6.50-8 6 Pr
36	953.058.1	Wheel Complete		X	
	953.406.0	Wheel Complete		X	

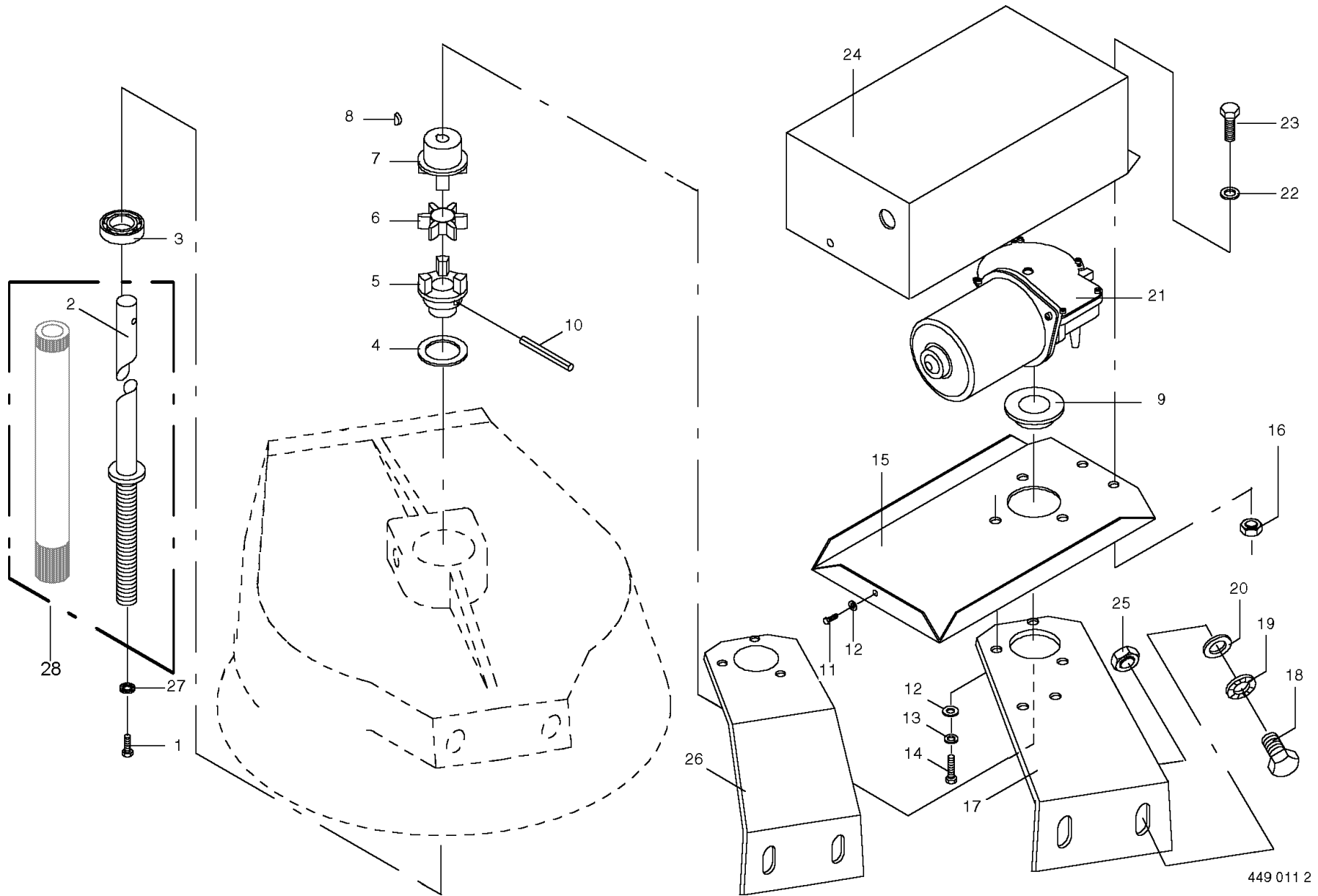


449 309 2

Front Rotor Chassis

Front Rotor Chassis

Item	Part Number	Description	Serial # Ranges	KS-1250	Notes
37	153.206.0	Anti-Wrap Guard		X	
38	266.307.0	Tie Rod		X	
39	927.150.0	Link		X	
40	908.019.0	Hex Nut		X	M14 X 1.5
41	910.013.0	Spring Washer		X	B 14
42	908.019.0	Hex Nut		X	M14 X 1.5
43	266.317.0	Rear Stop		2	
44	912.672.0	Roll Pin		X	8 X 50
45	910.702.0	Washer		X	S 30 X 42 X 2.5
46	265.894.0	Wheel Bracket Right Rear		X	
47	265.895.0	Wheel Bracket Left Rear		X	

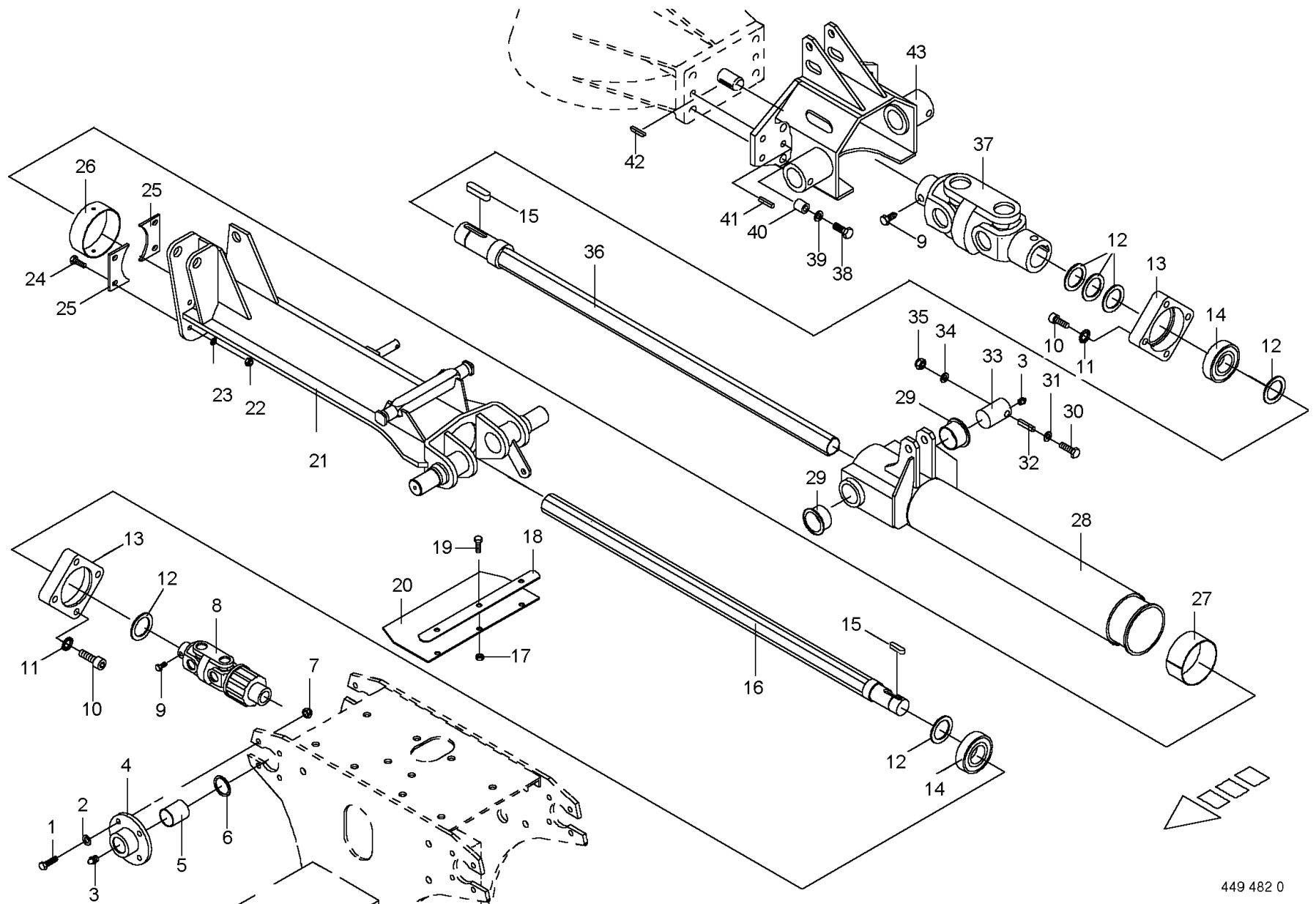


449 011 2

Rotor Height Adjustment Motor

Rotor Height Adjustment Motor

Item	Part Number	Description	Serial # Ranges	KS-1250	Notes
1	900.632.0	Hex Head Bolt		X	M10 X 16
2	265.800.0	Threaded Spindle		X	
3	933.504.0	Thrust Ball Bearing		X	511 04
4	910.719.0	Washer		X	S 28 X 40 X 2.0
5	154.453.1	Rotex Clutch		X	Bo.=18
6	938.928.0	Ring Gear		X	
7	154.454.1	Rotex Clutch		X	Bo.=10
8	915.600.0	Plate Spring		X	3 X 3.7
9	938.832.0	Gasket Ring		X	48/25 X 13.5
10	912.643.0	Roll Pin		X	6 X 36
11	906.948.0	Self-Tapping Screw		X	B 6.3 X 13
12	910.351.1	Washer		X	6.4 X 18 X 1.6
13	909.906.0	Detent Edged Washer		X	SKM 6
14	900.607.0	Hex Head Bolt		X	M6 X 16
15	154.496.0	Cover Plate		X	
16	908.706.0	Hex Nut		X	M8
17	265.414.0	Motor Support Front		X	
18	900.656.0	Hex Head Bolt		X	M12 X 30
19	909.910.0	Detent Edged Washer		X	SKM 12
20	910.506.0	Washer		X	13 X 24 X 2.5
21	938.989.0	Linear Motor w/Worm Gear		X	
22	910.413.0	Washer		X	A 8.4
23	900.614.0	Hex Head Bolt		X	M8 X 20
24	154.457.1	Guard		X	
25	908.701.0	Hex Nut		X	M12
26	154.497.0	Motor Support Back		X	
27	909.909.0	Detent Edged Washer		X	SKM 10
28	265.808.0	Shaft w/Spindle		X	

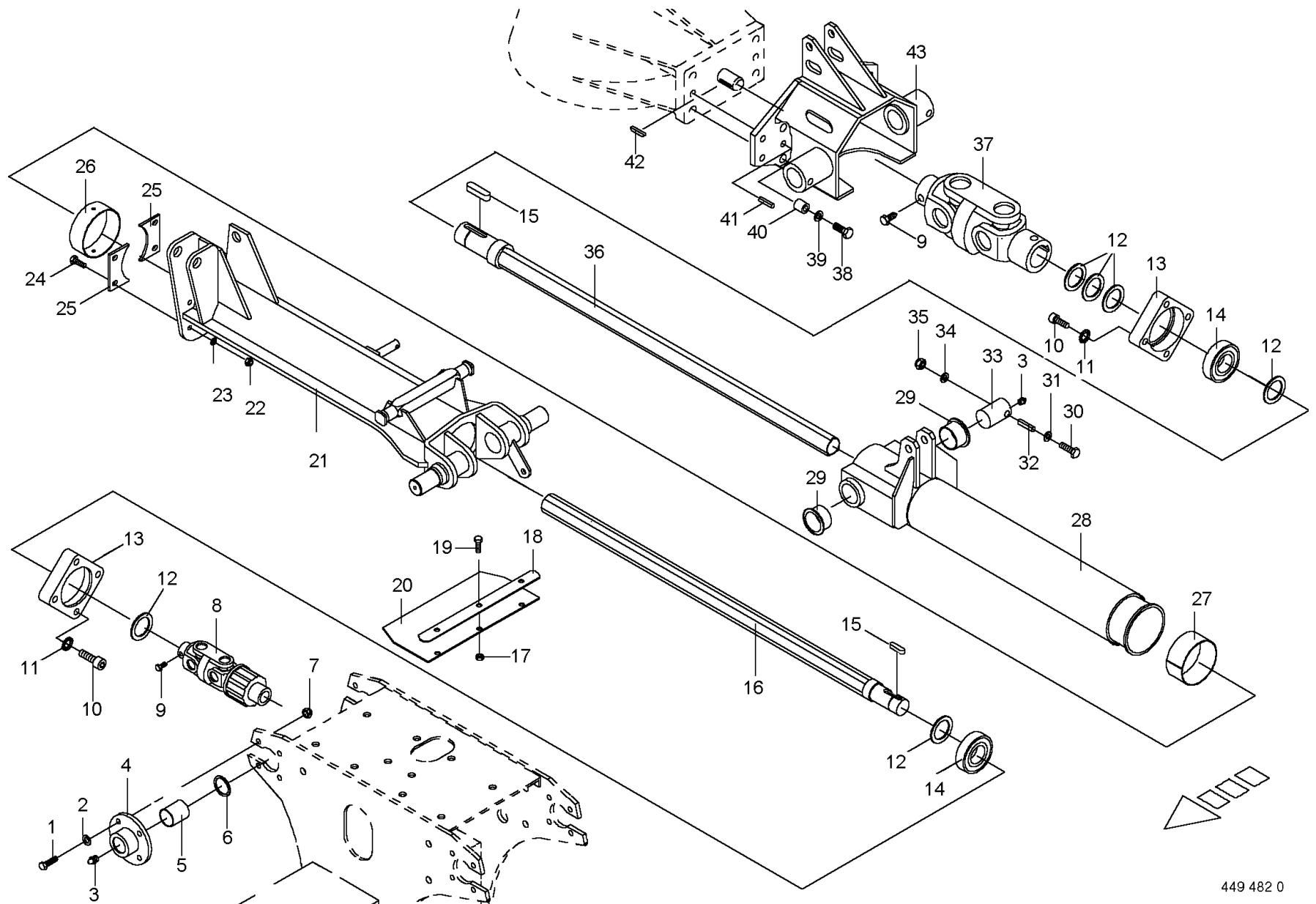


449 482 0

Rotor Arm Rear L/H & R/H

Rotor Arm Rear L/H & R/H

Item	Part Number	Description	Serial # Ranges	KS-1250	Notes
1	900.658.0	Hex Head Bolt		X	M12 X 40
2	910.506.0	Washer		X	13 X 24 X 2.5
3	919.105.0	Grease Fitting		X	AM 8 X 1
4	154.686.0	Bearing Flange		X	Includes Item 5
5	934.935.0	Bearing Bushing		X	4050 DU
6	910.891.0	Shim		X	40 X 50 X 1.0
	910.885.0	Shim		X	40 X 50 X 2.0
7	908.701.0	Hex Nut		X	M12
8	949.391.0	Double Universal Joint		X	1 3/8" - 6 Spline
9	902.402.0	Hex Head Bolt		X	BM 10 X 16
10	903.109.0	Allen Screw		X	M10 X 35
11	909.907.0	Detent Edged Washer		X	SKZ 10
12	910.865.0	Shim		X	30 X 42 X 2.0
13	265.534.0	Bearing Flange		X	
14	934.612.0	Bearing		X	AS 206 LLU
15	915.073.0	Flat Key		X	B 8 X 7 X 32
16	265.542.0	Shaft		X	
17	908.706.0	Hex Nut		X	M8
18	265.273.0	Clamping Strap		X	
19	900.617.0	Hex Head Bolt		X	M8 X 30
20	265.272.0	Rubber Plate		X	320 X 150 X 4
21	265.552.0	Rotor Arm Inner R/H		X	
	265.550.0	Rotor Arm Inner L/H		X	
22	908.758.0	Hex Nut		X	M10
23	909.909.0	Detent Edged Washer		X	SKM 10
24	900.637.0	Hex Head Bolt		X	M10 X 30
25	265.474.0	Stop		X	
26	265.269.0	Bearing Bushing		X	113 X 123 X 40
27	265.270.0	Bearing Bushing		X	
28	265.560.0	Rotor Arm Outer		X	Includes Item 29
29	934.905.0	Bushing		X	4026 DU
30	901.005.0	Hex Head Bolt		X	M6 X 80
31	910.411.1	Washer		X	A 6.4
32	912.773.1	Roll Pin		X	13 X 65
	912.719.0	Roll Pin		X	10 X 65
33	155.492.0	Pin		X	Rd. 40 X 114
34	910.411.1	Washer		X	A 6.4
35	908.704.1	Hex Nut		X	M6

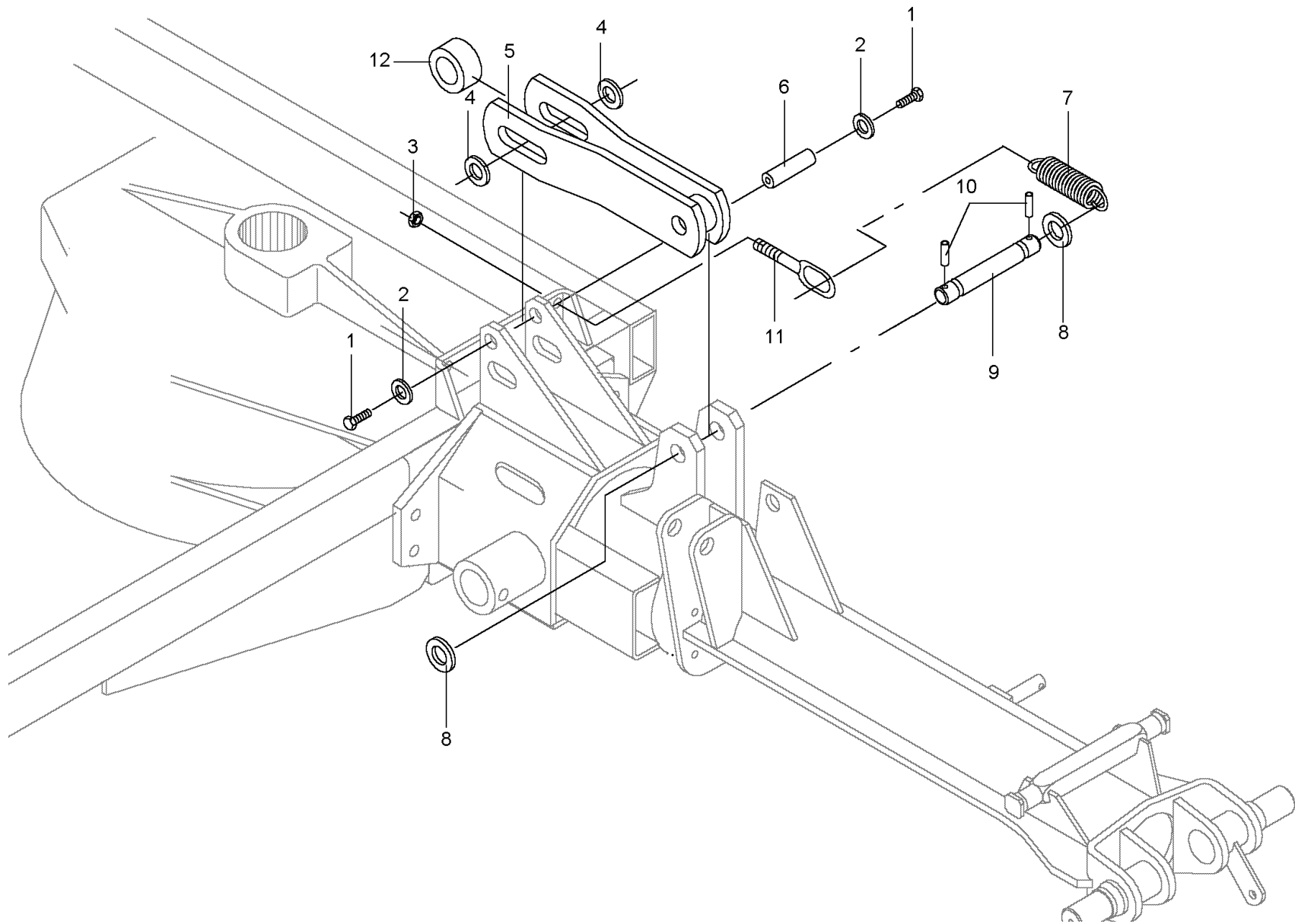


449 482 0

Rotor Arm Rear L/H & R/H

Rotor Arm Rear L/H & R/H

Item	Part Number	Description	Serial # Ranges	KS-1250	Notes
36	265.543.0	Shaft		X	
37	949.154.1	Wide Angle Universal Joint		X	Gr. 2
38	901.482.0	Hex Head Bolt		X	M16 X 60
39	909.904.0	Detent Edged Washer		X	SKZ 16
40	271.388.0	Bearing Bushing		X	Ro. 25 X 5 X 26
41	912.742.0	Roll Pin		X	12 X 30
	912.516.2	Roll Pin		X	7 X 30
42	915.072.0	Flat Key		X	A 8 X 7 X 32
43	265.403.0	Rotor Support		X	

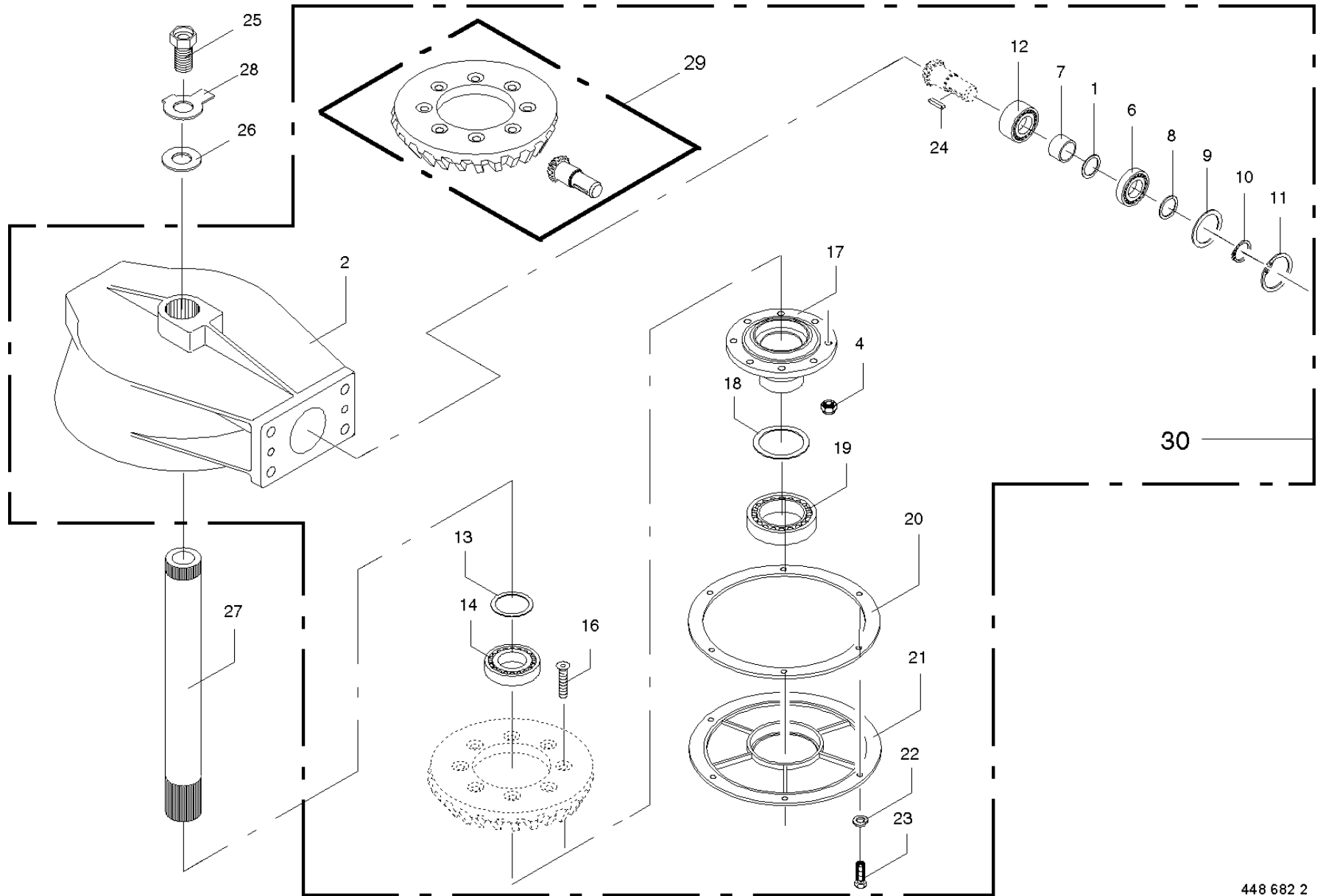


448 797 4

Pulling Support

Pulling Support

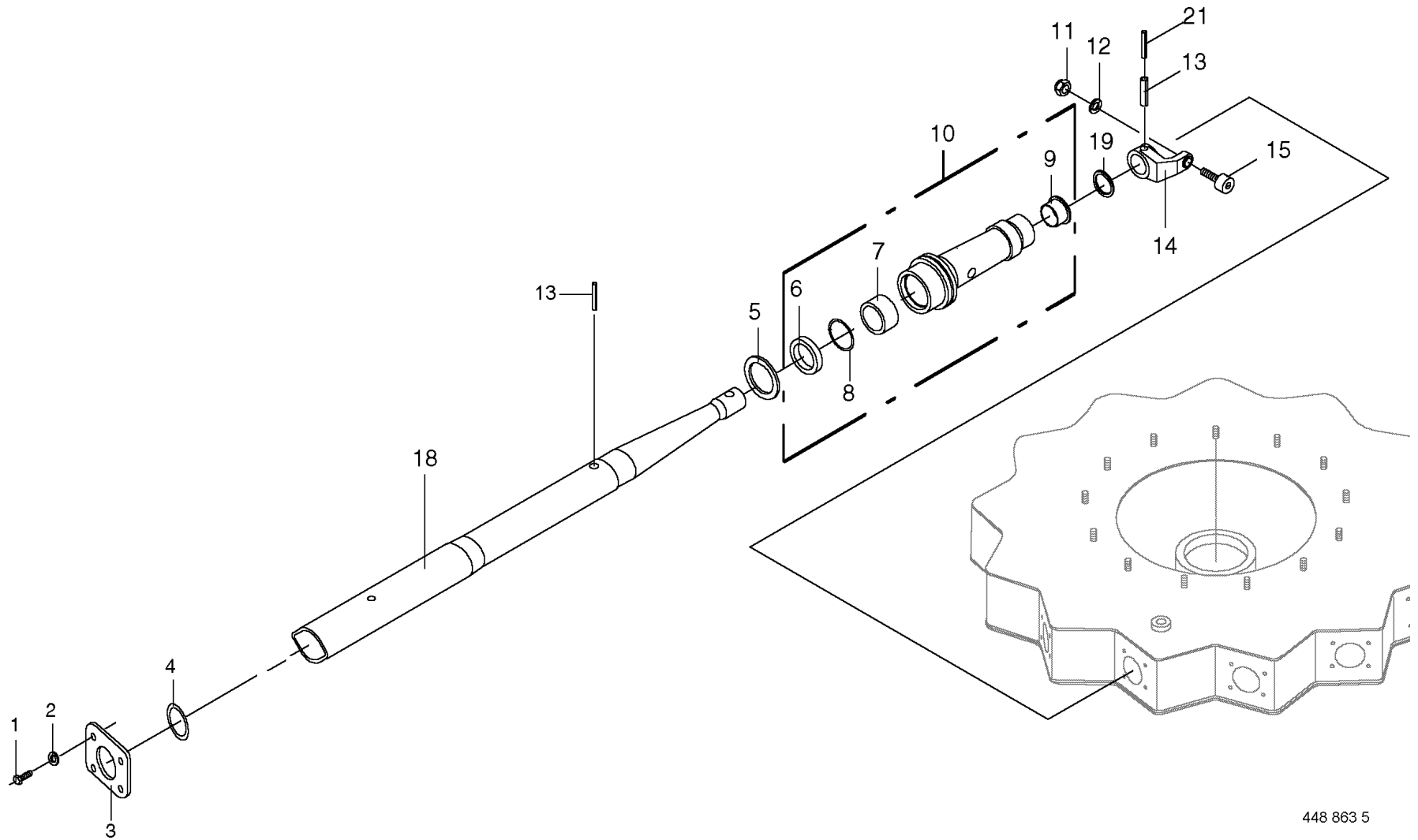
Item	Part Number	Description	Serial # Ranges	KS-1250	Notes
1	900.632.0	Hex Head Bolt		X	M10 X 16
2	910.353.0	Washer		X	11 X 34 X 3
3	908.701.0	Hex Nut		X	M12
4	339.172.0	Washer		X	Rd. 30 X 10
5	265.585.0	Pulling Support		X	
6	265.583.0	Pin		X	Rd. 20 X 72
7	265.709.0	Tension Spring		X	
8	910.512.2	Washer		X	B 21
9	265.409.0	Cylinder Bolt		X	Rd. 20 X 138
10	912.584.0	Roll Pin		X	4 X 30
11	003.048.1	Eye Screw		X	M12 X 162
12	266.332.0	Spacer Bushing		X	Ro. 38 X 7.1 X 38



Rotor Housing Rear L/H & R/H

Rotor Housing Rear L/H & R/H

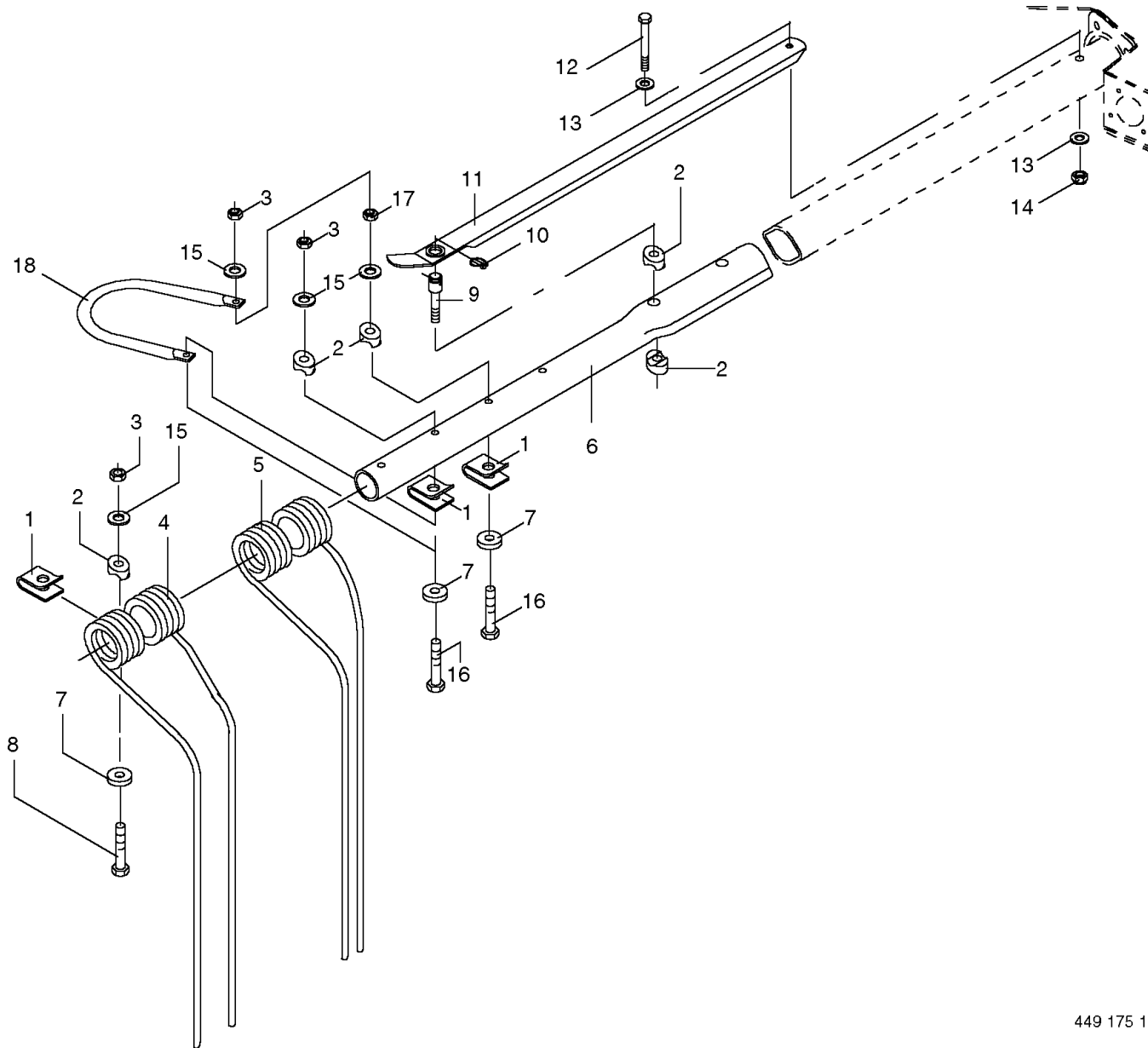
Item	Part Number	Description	Serial # Ranges	KS-1250	Notes
1	911.134.0	Shim		X	35 X 45 X 1.0 M12 6207 2RS
2	265.021.0	Gearbox Housing		X	
4	908.701.0	Hex Nut		X	
6	930.537.0	Bearing		X	
7	332.490.0	Bushing		X	
8	911.132.0	Shim		X	35 X 45 X .3 35 X 45 X .5 35 X 45 X 1.0 35 X 45 X 2.0 56 X 72 X .3
	911.133.0	Shim		X	
	911.134.0	Shim		X	
	911.136.1	Shim		X	
9	910.912.0	Shim		X	
	910.913.0	Shim		X	56 X 72 X .5 56 X 72 X 1.0 56 X 72 X 2.0 A 35 X 1.5 I 72 X 2.5
	910.914.0	Shim		X	
	910.915.0	Shim		X	
10	911.541.0	Circlip		X	
11	911.668.0	Circlip		X	
12	931.122.0	Bearing		X	3207 2RS 70 X 80 X .3 70 X 80 X 1.0 6014 2RS M12 X 40
13	911.023.0	Shim		X	
	911.024.0	Shim		X	
14	930.157.0	Bearing		X	
16	904.065.1	Countersunk Screw		X	
17	265.023.0	Bearing Flange		X	90 X 100 X .3 90 X 100 X 1.0 6018 2RS
18	911.166.0	Shim		X	
	911.168.0	Shim		X	
19	930.323.0	Bearing		X	
20	153.628.0	Gasket		X	
21	265.022.0	Gearbox Cover		X	B 10 M10 X 25 A 8 X 7 X 32
22	910.111.1	Spring Washer		X	
23	900.636.0	Hex Head Bolt		X	
24	915.072.0	Flat Key		X	
25	265.027.0	Bolt		X	
26	265.029.0	Washer		X	34 X 68 X 4 31 X 56 X 1.6 Z12 / Z83 M3.5
27	265.278.3	Hollow Shaft		X	
28	910.346.0	Washer		X	
29	153.352.0	Ring Gear & Pinion Shaft		X	
30	265.357.0	Gearbox Complete		X	
	926.000.0	Semi-Fluid Gear Lubricant		2	
	926.017.0	All Purpose Grease		X	



Inner Tine Arm Rear

Inner Tine Arm Rear

Item	Part Number	Description	Serial # Ranges	KS-1250	Notes
1	900.230.0	Hex Head Bolt		X	M10 X 35
2	909.909.0	Detent Edged Washer		X	SKM 10
3	265.038.0	Flange Plate		X	
4	937.501.0	O-Ring		X	Or. 70 X 3
5	935.300.0	Washer		X	45.5 X 66 X 5
6	936.024.0	Scraper		X	45 X 62 X 12
7	934.931.0	Bearing Bushing		X	4530 DU
8	911.802.0	Snap Ring		X	B 50 X 2.5
9	934.905.0	Bushing		X	4026 DU
10	265.199.0	Support with Bushing		X	
11	908.013.0	Hex Nut		X	M16 X 1.5
12	909.912.0	Detent Edged Washer		X	SKM 16
13	912.400.0	Roll Pin		X	14 X 55
14	265.048.0	Control Arm		X	
15	933.201.0	Cam Roller		X	
18	265.359.0	Profile Tube		26	
19	910.885.0	Shim		X	40 X 50 X 2.0
21	912.677.0	Roll Pin		X	8 X 55

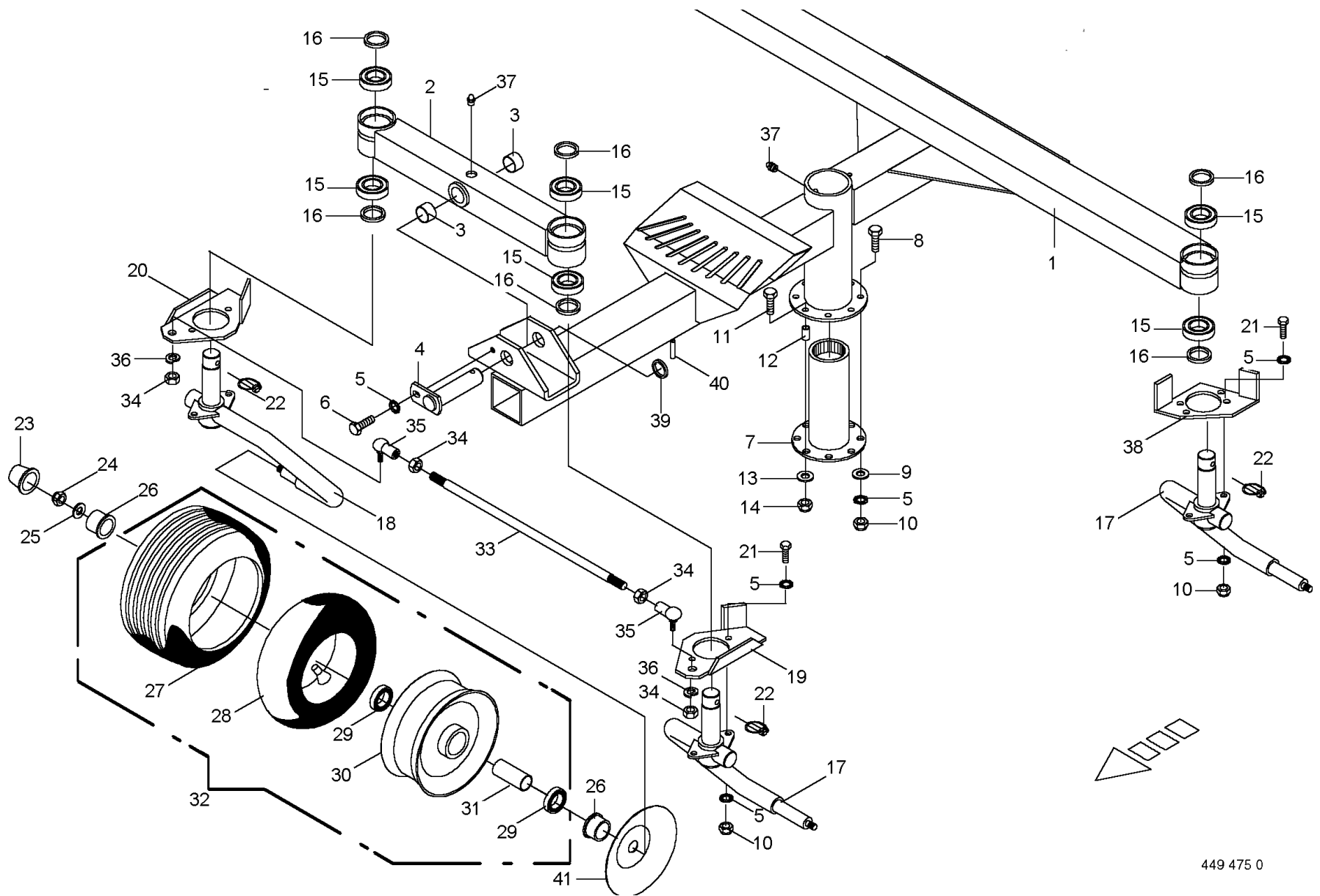


449 175 1

Outer Tine Arm Rear

Outer Tine Arm Rear

Item	Part Number	Description	Serial # Ranges	KS-1250	Notes
1	265.061.0	Clip		X	
2	153.021.0	Shim		X	
3	908.701.0	Hex Nut		X	M12
4	265.012.0	Tine L/H		39	Rd. 10
	265.010.0	Tine R/H		39	Rd. 10
5	265.013.0	Tine Inside L/H		13	Rd. 10
	265.011.0	Tine Inside R/H		13	Rd. 10
6	265.213.1	Tine Arm		26	
7	910.624.0	Washer		X	13.0 X 35 X 8
8	901.457.0	Hex Head Bolt		X	M12 X 85
9	265.596.0	Pin		X	
10	917.004.1	Lynch Pin		X	5 X 32
11	266.029.0	Plate Spring Complete		X	
12	901.049.1	Hex Head Bolt		X	M8 X 70
13	910.413.0	Washer		X	A 8.4
14	908.706.0	Hex Nut		X	M8
15	910.315.3	Washer		X	13 X 24 X 2.5
16	901.460.0	Hex Head Bolt		X	M12 X 100
17	908.215.0	Hex Nut		X	M12
18	266.123.0	Handle R/H		X	
	266.124.0	Handle L/H		X	

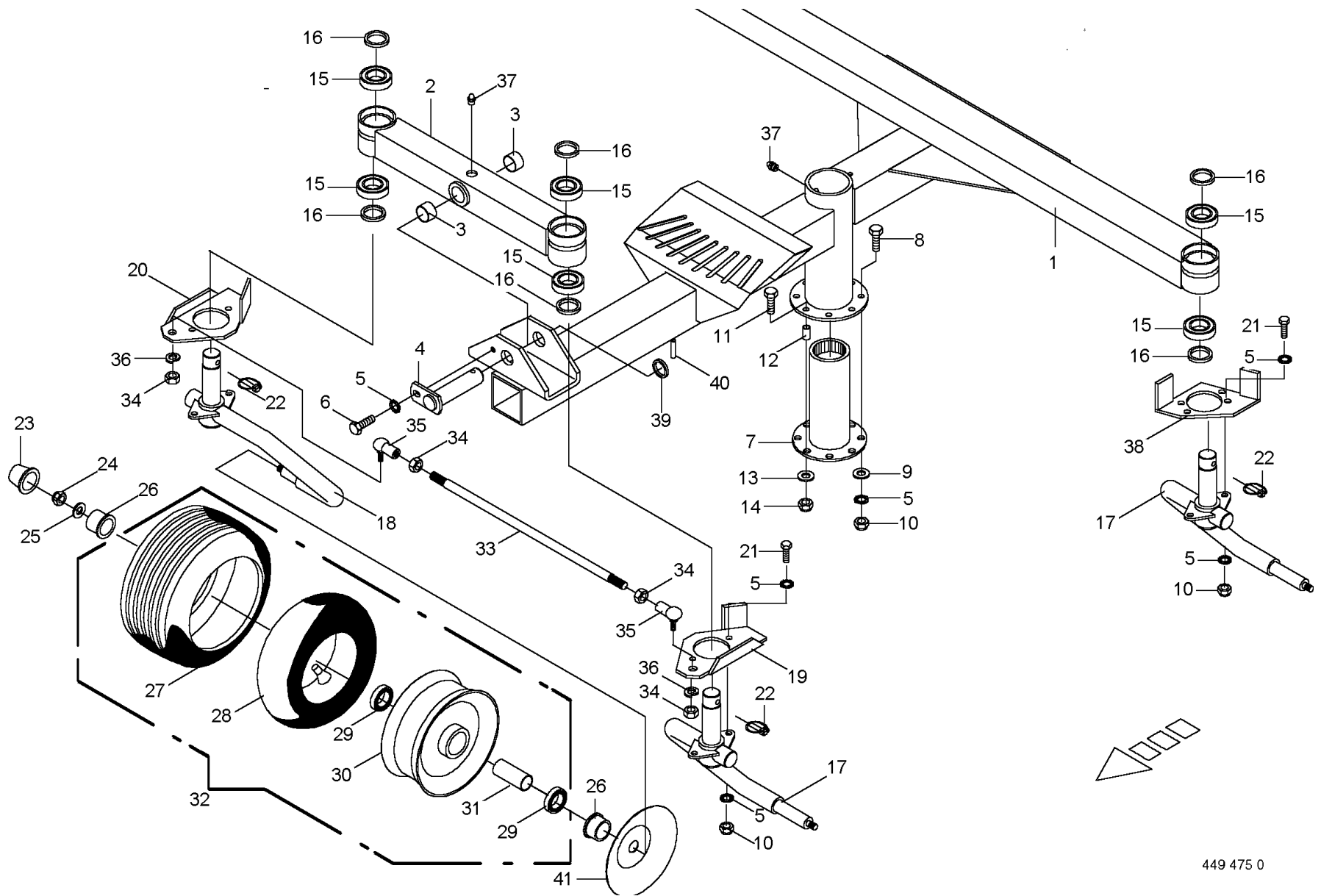


449 475 0

Rear Rotor Chassis

Rear Rotor Chassis

Item	Part Number	Description	Serial # Ranges	KS-1250	Notes
1	266.610.0	Chassis R/H		X	Includes Item 3 BB 3026 DU
	266.659.0	Chassis L/H		X	
2	266.608.0	Cross Beam		X	
3	934.909.0	Bushing		X	
4	266.620.0	Pin		X	
5	909.909.0	Detent Edged Washer		X	SKM 10
6	900.634.0	Hex Head Bolt		X	M10 X 20
7	265.891.0	Profile Cover		X	
8	900.637.0	Hex Head Bolt		X	M10 X 30
9	910.414.0	Washer		X	A 10.5
10	908.758.0	Hex Nut		X	M10
11	900.239.1	Hex Head Bolt		X	M6 X 25
12	912.534.0	Roll Pin		X	12 X 12
13	910.351.1	Washer		X	6.4 X 18 X 1.6
14	908.704.1	Hex Nut		X	M6
15	930.507.0	Bearing		X	6007 2RS
16	015.066.0	Spacer Ring		X	
17	265.894.0	Wheel Bracket Left		X	
18	265.895.0	Wheel Bracket Right		X	
19	266.650.0	Limit Stop L/H		X	
20	266.651.0	Limit Stop R/H		X	
21	900.636.0	Hex Head Bolt		X	M10 X 25
22	917.011.0	Lynch Pin		X	10 X 45
23	938.833.0	Wheel Cap		X	52
24	908.701.0	Hex Nut		X	M12
25	910.609.0	Washer		X	13 X 37 X 3
26	938.832.0	Gasket Ring		X	48/25 X 13.5
27	953.249.1	Tire		X	16 X 6.50-8 6 Ply
	953.275.0	Tire		X	16.5 X 6.5-8 6 Ply
28	953.328.0	Tube		X	16 X 6.50-8 TR 13
29	930.535.0	Bearing		X	6205 2RS
30	953.158.0	Rim		X	5.50 A-8
31	938.831.0	Distance Tube		X	30 X 1.5 X 34
32	953.058.1	Wheel Complete		X	16 X 6.50-8 6 Pr
	953.406.0	Wheel Complete		X	16.5 X 6.50-8 6 Pr
33	266.654.0	Tie Rod		X	
34	908.019.0	Hex Nut		X	M14 X 1.5
35	927.150.0	Link		X	

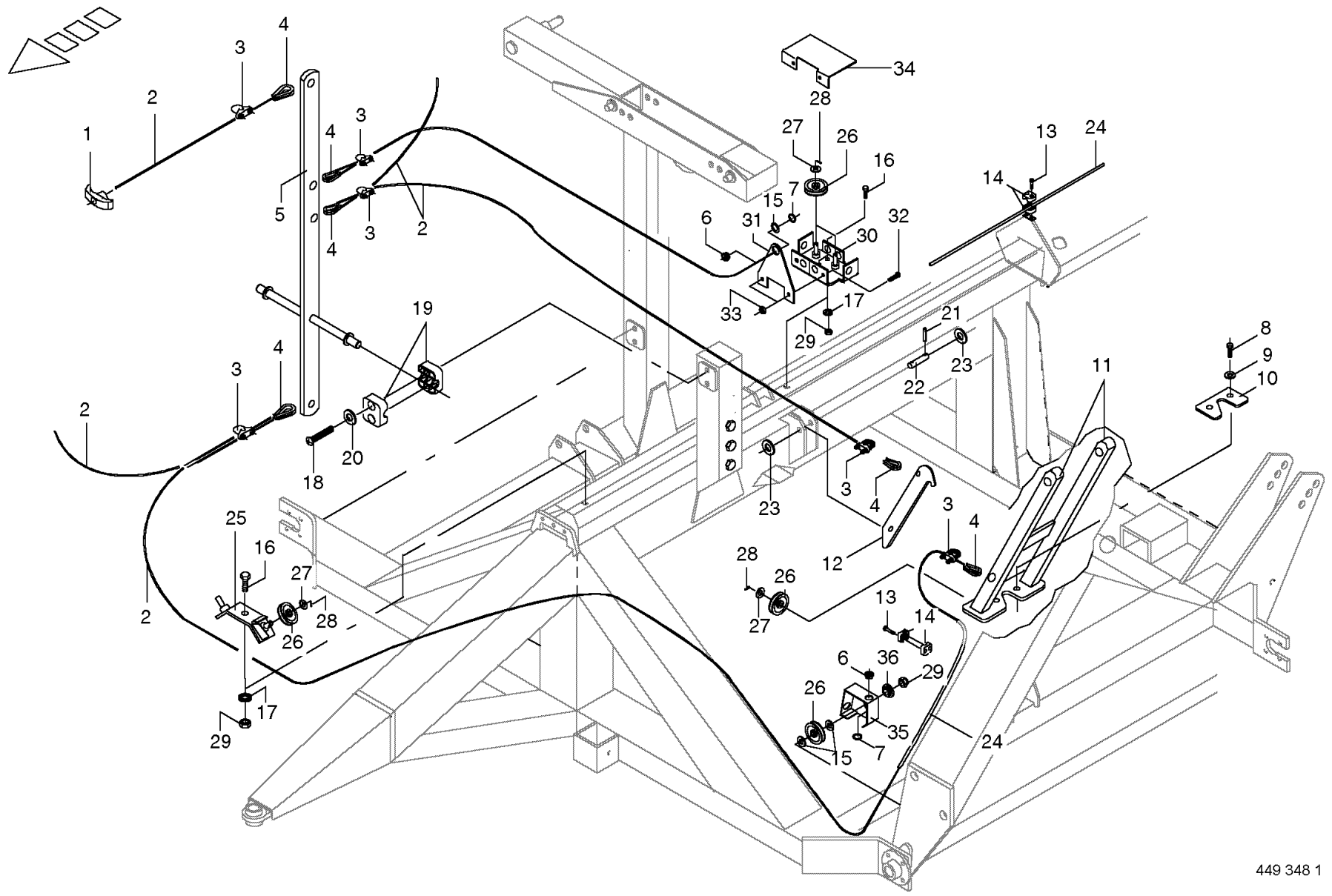


449 475 0

Rear Rotor Chassis

Rear Rotor Chassis

Item	Part Number	Description	Serial # Ranges	KS-1250	Notes
36	910.013.0	Spring Washer		X	B 14
37	919.105.0	Grease Fitting		X	AM 8 X 1
38	266.653.0	Rear Stop		2	
39	910.702.0	Washer		X	S 30 X 42 X 2.5
40	912.672.0	Roll Pin		X	8 X 50
41	153.206.0	Anti Wrapping Guard		X	

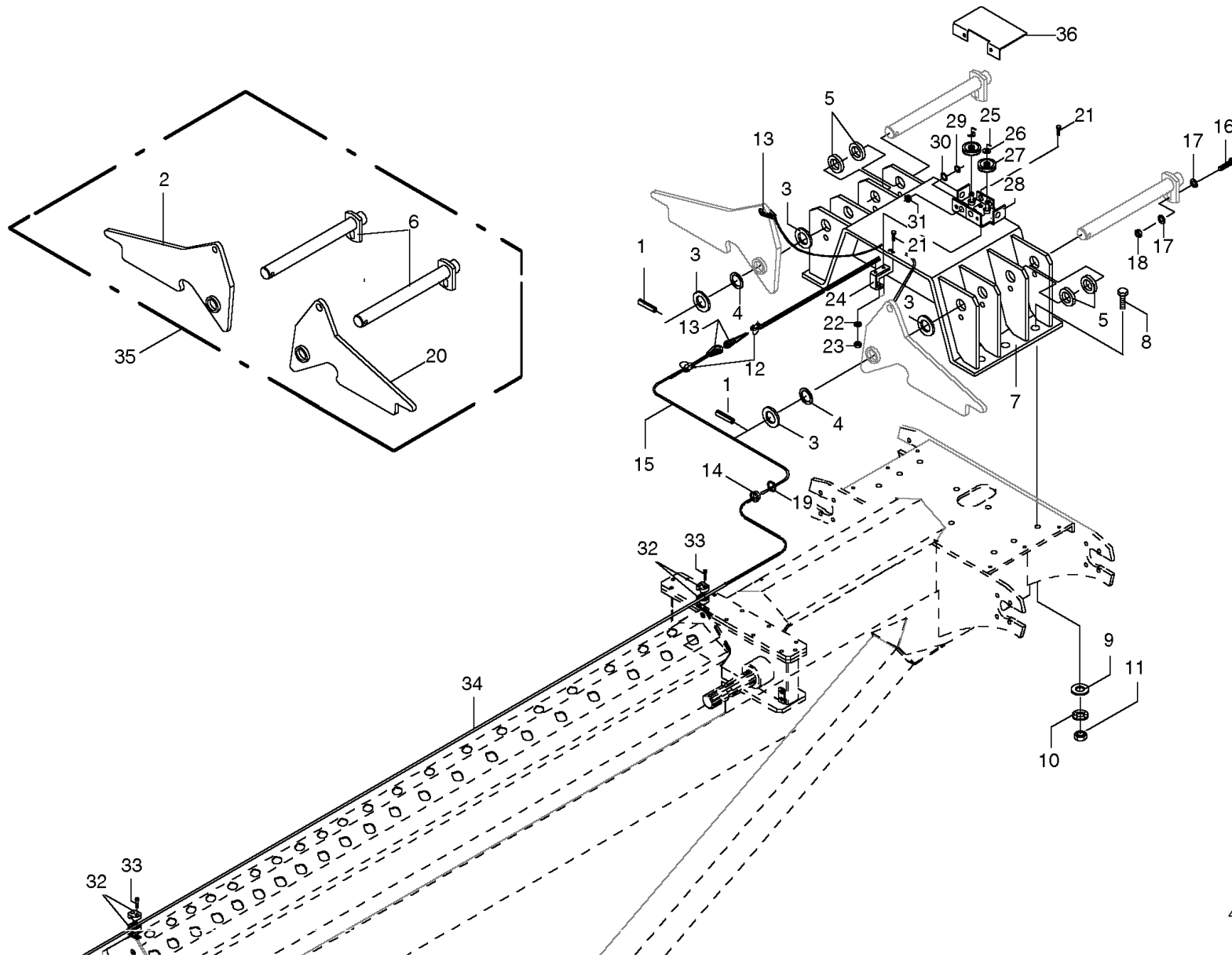


449 348 1

Front Locking Mechanisms

Front Locking Mechanisms

Item	Part Number	Description	Serial # Ranges	KS-1250	Notes
1	939.063.0	Handle		X	
2	925.113.0	Rope		X	
3	917.603.0	Cable Clamp		X	6.5
4	917.506.0	Grommet Thimble		X	A 6
5	266.117.0	Self Aligning Arm		X	
6	924.919.2	Rope Guide		X	
7	911.522.0	Circlip		X	A 20 X 1.2
8	900.636.0	Hex Head Bolt		X	M10 X 25
9	910.506.0	Washer		X	13 X 24 X 2.5
10	266.116.0	Limit Stop Base		X	
11	266.112.0	Stop		X	
12	266.109.0	Locking Mechanism Front		X	
13	903.477.1	Allen Screw		X	AM 6 X 20
14	925.107.1	Clamp		X	Bo.=12
15	910.718.0	Washer		X	S 20 X 28 X 2.0
16	900.634.0	Hex Head Bolt		X	M10 X 20
17	909.909.0	Detent Edged Washer		X	SKM 10
18	901.410.0	Hex Head Bolt		X	M6 X 40
19	925.102.1	Clamp		X	Bo.=18
20	910.411.1	Washer		X	A 6.4
21	912.643.0	Roll Pin		X	6 X 36
22	200.350.0	Pin		X	
23	910.512.2	Washer		X	B21
24	045.505.0	Hydraulic Pipe		X	6 X 1
25	266.254.0	Bracket		X	
26	274.363.1	Rope Pulley		X	
27	910.414.0	Washer		X	A 10.5
28	912.063.1	Cotter Pin		X	4 X 20
29	908.758.0	Hex Nut		X	M10
30	266.255.0	Roll Holder		X	
31	266.265.0	Strap		X	
32	900.614.0	Hex Head Bolt		X	M8 X 20
33	908.706.0	Hex Nut		X	M8
34	266.321.0	Cover Plate		X	
35	266.323.0	Cover Left		X	
	266.322.0	Cover Right		X	
36	281.683.1	Axle for Twine Lock		X	Rd. 30 X 14

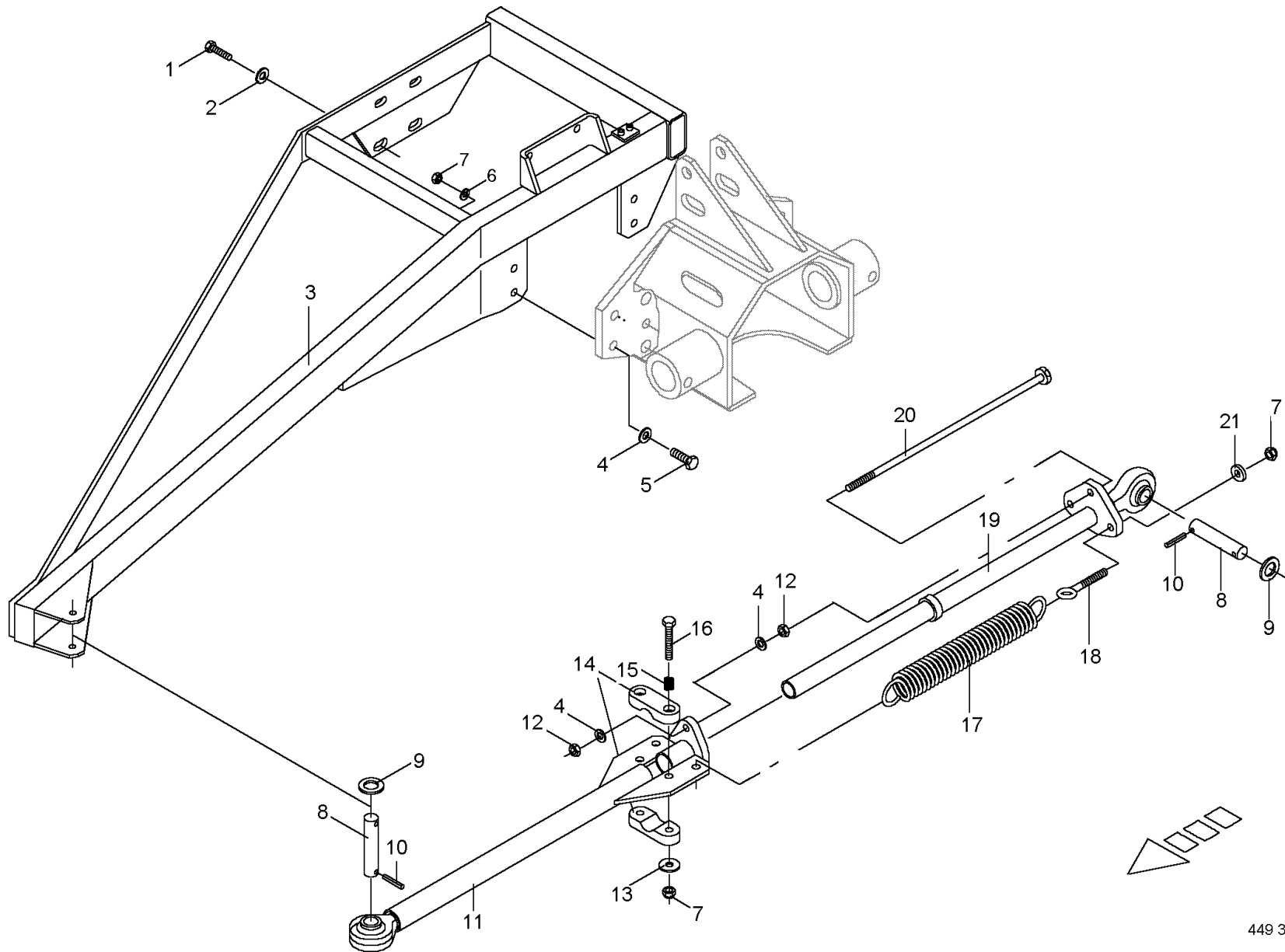


449 147 3

Rear Locking Mechanisms

Rear Locking Mechanisms

Item	Part Number	Description	Serial # Ranges	KS-1250	Notes
1	912.670.0	Roll Pin		X	8 X 40
2	266.260.0	Rear Rotor Locks		X	
3	910.514.1	Washer		X	26 X 44 X 4
4	910.845.0	Shim		X	25 X 35 X 2.0
5	281.099.0	Bushing		X	Ro. 38 X 7.1 X 7
6	265.442.0	Pin		X	
7	265.286.0	Locking Block		X	
8	901.132.0	Hex Head Bolt		X	M16 X 55
9	910.303.0	Washer		X	17 X 30 X 3
10	909.912.0	Detent Edged Washer		X	SKM 16
11	908.716.1	Hex Nut		X	NM16
12	917.603.0	Wire Rope Clamp		X	6.5
13	917.506.0	Grommet Thimble		X	A 6
14	924.919.2	Rope Guide		X	
15	925.113.0	Rope		X	
16	900.617.0	Hex Head Bolt		X	M8 X 30
17	910.413.0	Washer		X	A 8.4
18	908.706.0	Hex Nut		X	M8
19	911.522.0	Circlip		X	A 20 X 1.2
20	266.261.0	Rotor Lock Left		X	
21	900.637.0	Hex Head Bolt		X	M10 X 30
22	909.909.0	Detent Edged Washer		X	SKM 10
23	908.758.0	Hex Nut		X	M10
24	266.249.1	Roll Holder		X	
25	912.063.1	Cotter Pin		X	4 X 20
26	910.414.0	Washer		X	A 10.5
27	274.363.1	Rope Pulley		X	
28	266.255.0	Roll Holder		X	
29	911.522.0	Circlip		X	A 20 X 1.2
30	910.718.0	Washer		X	S 20 X 28 X 2.0
31	924.919.2	Rope Guide		X	
32	925.107.1	Clamp		X	Bo.=12
33	903.477.1	Allen Screw		X	AM 6 X 20
34	925.113.0	Rope		X	
35	266.259.0	Locking Mechanism Complete		X	
36	266.321.0	Cover Plate		X	

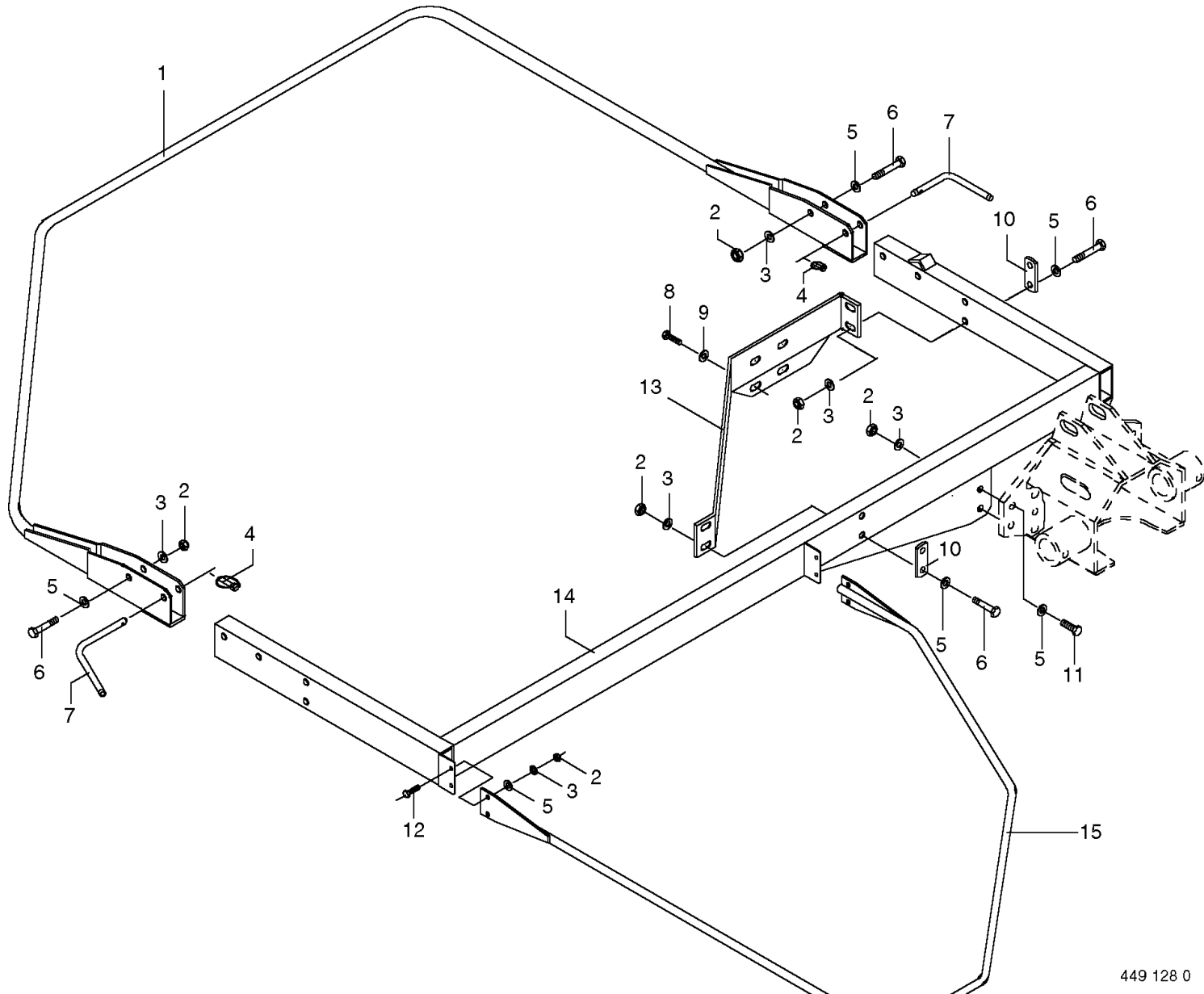


449 353 1

Spring Compensation - Safety Frame

Spring Compensation - Safety Frame

Item	Part Number	Description	Serial # Ranges	KS-1250	Notes
1	900.673.0	Hex Head Bolt		X	M16 X 25
2	909.912.0	Detent Edged Washer		X	SKM 16
3	266.220.0	Frame R/H		X	
	266.221.0	Frame L/H		X	
4	910.506.0	Washer		X	13 X 24 X 2.5
5	900.658.0	Hex Head Bolt		X	M12 X 40
6	909.910.0	Detent Edged Washer		X	SKM 12
7	908.701.0	Hex Nut		X	M12
8	250.398.0	Pin		X	25 X 119
9	910.514.1	Washer		X	26 X 44 X 4
10	912.670.0	Roll Pin		X	8 X 40
11	265.544.0	Telescoping Tube Outside		X	
12	908.215.0	Hex Nut		X	M12
13	910.609.0	Washer		X	13 X 37 X 3
14	153.139.1	Clamp		X	
15	052.053.1	Pressure Spring		X	
16	901.455.0	Hex Head Bolt		X	M12 X 75
17	344.771.1	Tension Spring		X	
18	918.300.0	Eye Bolt		X	M12 X 95/65
19	265.465.0	Telescoping Tube Inside		X	
20	265.468.0	Drawbar		X	
21	910.320.0	Washer		X	13 X 30 X 6

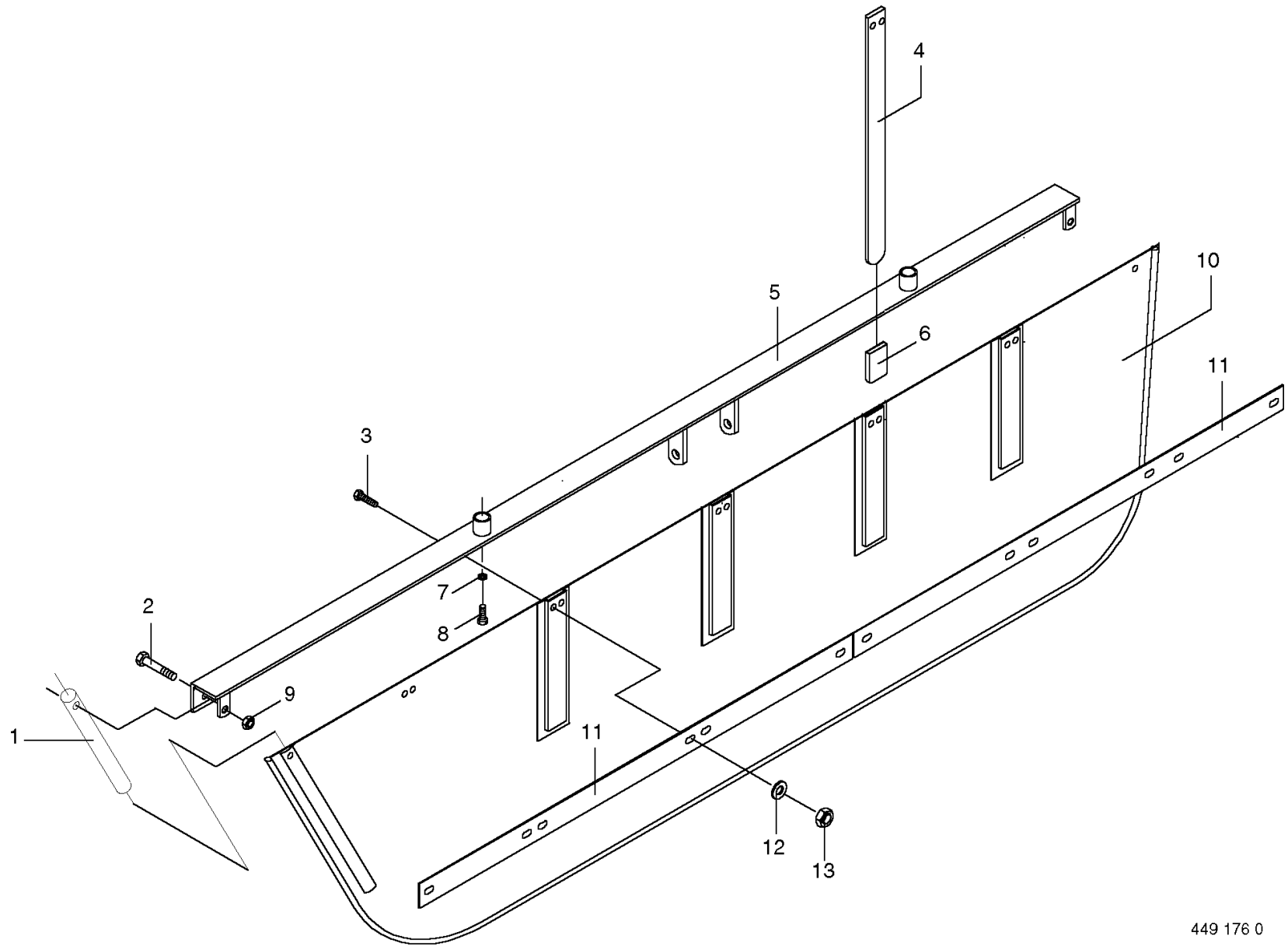


449 128 0

Front Safety Frames

Front Safety Frames

Item	Part Number	Description	Serial # Ranges	KS-1250	Notes
1	266.097.0	Protecting Bar R/H		X	
	266.098.0	Protecting Bar L/H		X	
2	908.701.0	Hex Nut		X	M12
3	909.910.0	Detent Edged Washer		X	SKM 12
4	917.004.1	Lynch Pin		X	5 X 32
5	910.506.0	Washer		X	13 X 24 X 2.5
6	901.122.0	Hex Head Bolt		X	M12 X 70
7	260.600.0	Safety Pin		X	
8	900.672.0	Hex Head Bolt		X	M16 X 20
9	909.912.0	Detent Edged Washer		X	SKM 16
10	265.386.0	Cover Plate		X	
11	900.658.0	Hex Head Bolt		X	M12 X 40
12	900.656.0	Hex Head Bolt		X	M12 X 30
13	266.239.0	Guard Support R/H		X	
	266.238.0	Guard Support L/H		X	
14	266.095.0	Protecting Bar		X	
	266.096.0	Protecting Bar		X	
15	266.099.0	Protecting Bar		X	

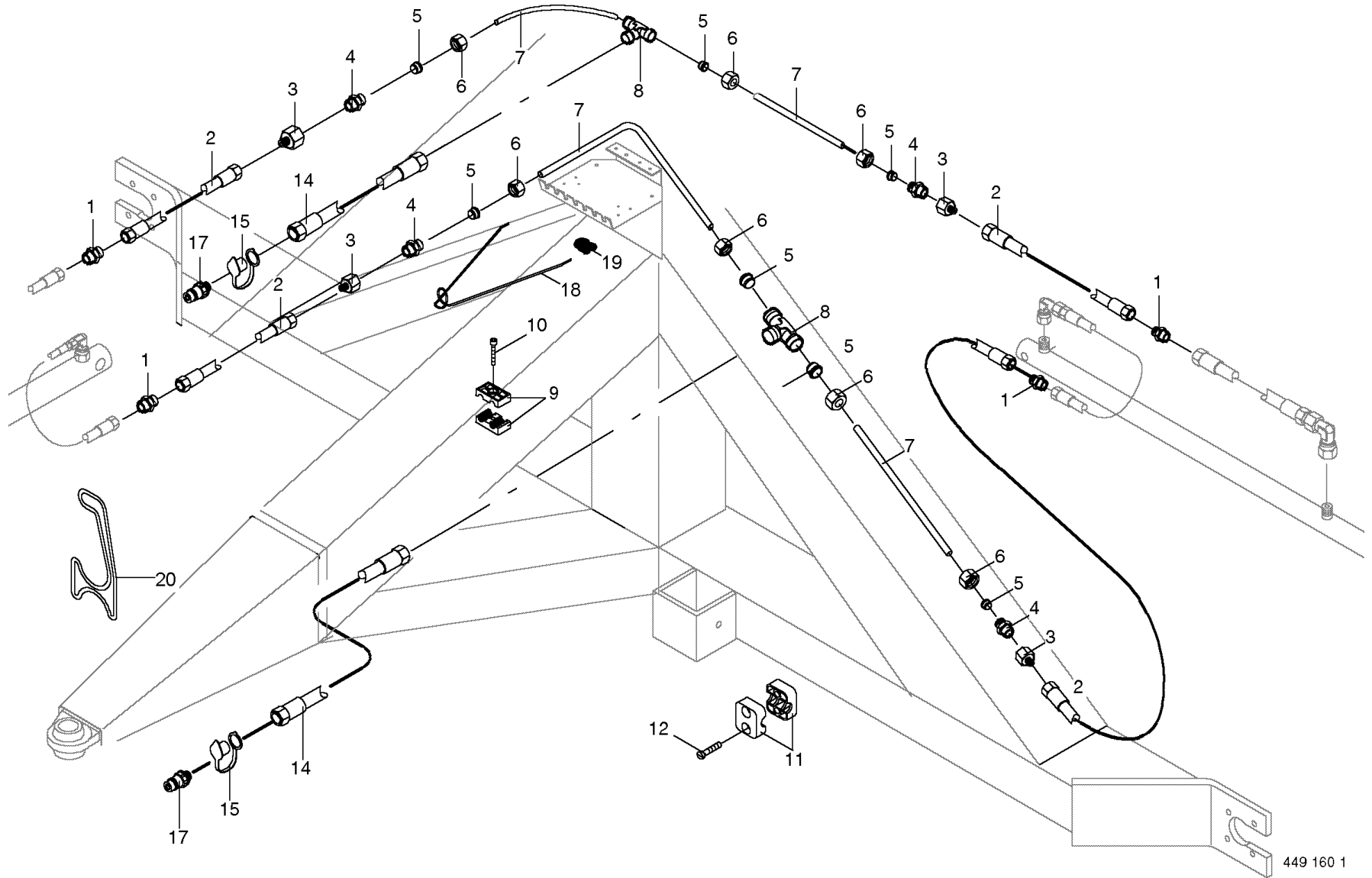


Windrow Curtain

449 176 0

Windrow Curtain

Item	Part Number	Description	Serial # Ranges	KS-1250	Notes
1	265.333.0	Round Bar		X	
2	900.284.0	Hex Head Bolt		X	M10 X 50
3	900.239.1	Hex Head Bolt		X	M6 X 25
4	265.332.0	Flat Steel		X	
5	266.111.0	Swathing Deflector Support		X	
6	938.557.0	Cover		X	
7	909.910.0	Detent Edged Washer		X	SKM 12
8	900.653.0	Hex Head Bolt		X	M12 X 20
10	269.068.0	Swathing Deflector		X	
11	153.277.0	Clamping Strap		X	
12	910.351.1	Washer		X	6.4 X 18 X 1.6
13	908.704.1	Hex Nut		X	M6

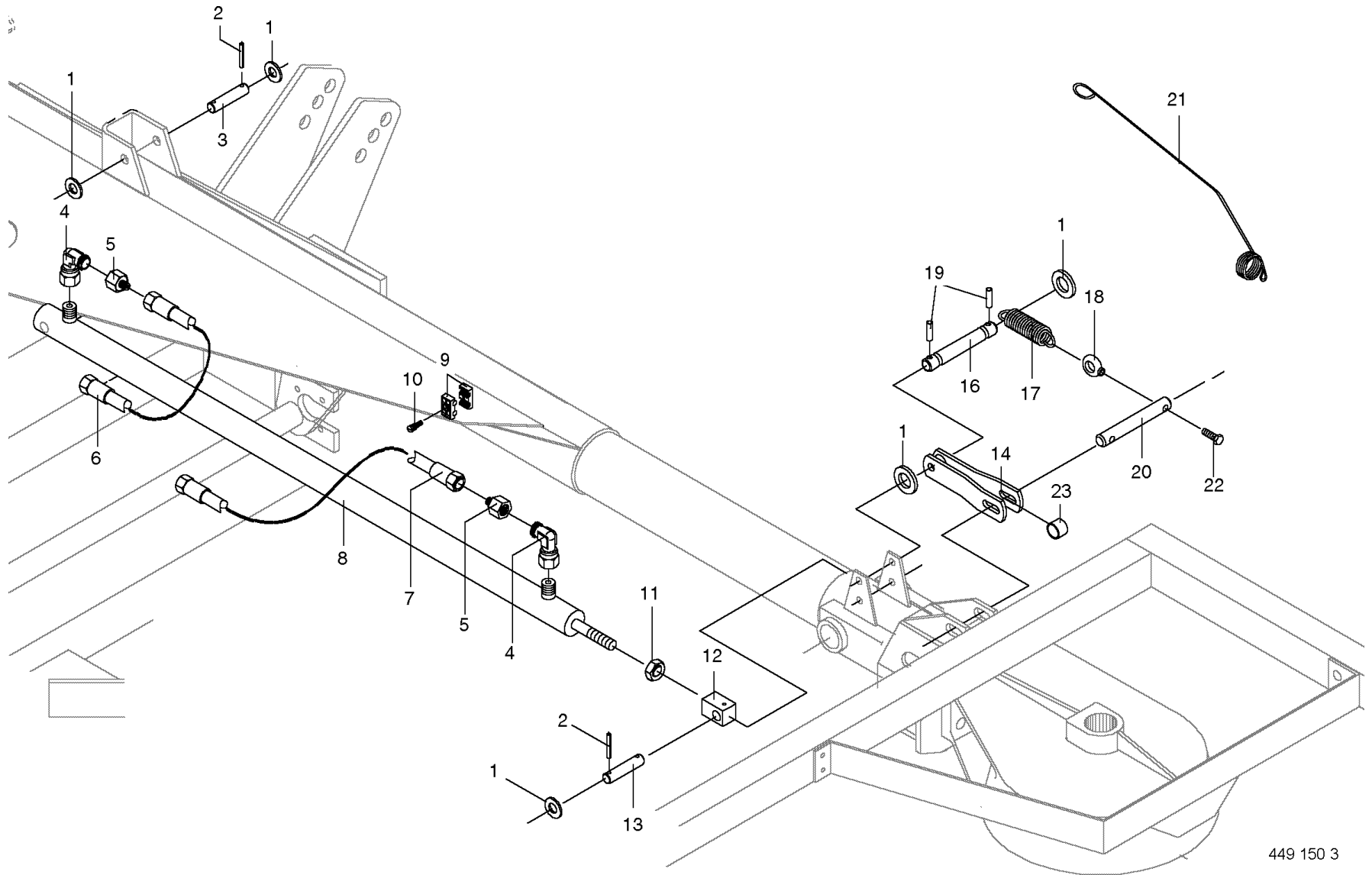


449 160 1

Front Rotor Extension Hydraulics

Front Rotor Extension Hydraulics

Item	Part Number	Description	Serial # Ranges	KS-1250	Notes
1	921.049.1	Connector		X	L 6
2	920.974.1	High Pressure Hose		X	1000mm Long
3	921.083.1	Reducer		X	KOR 12/6-PL
4	921.054.1	Connector		X	L 12
5	921.046.1	Cutting Ring		X	L 12
6	921.206.0	Union Nut		X	AL 12
7	045.506.0	Hydraulic Pipe		X	12 X 1.5
8	921.071.1	T Connector		X	L 12
9	925.105.0	Clamp		X	Bo. 12/12
10	903.108.0	Allen Screw		X	M10 X 30
11	925.107.1	Clamp		X	Bo.=12
12	903.477.1	Allen Screw		X	AM 6 X 20
14	921.020.0	High Pressure Hose		X	3000mm Long
15	921.171.0	Dust Cap		X	rot
17	921.145.0	Plug		X	M18 X 1.5
18	346.376.1	Hose Holder		X	
19	917.604.0	Cable Clamp		X	8
20	280.584.0	PTO Shaft		X	

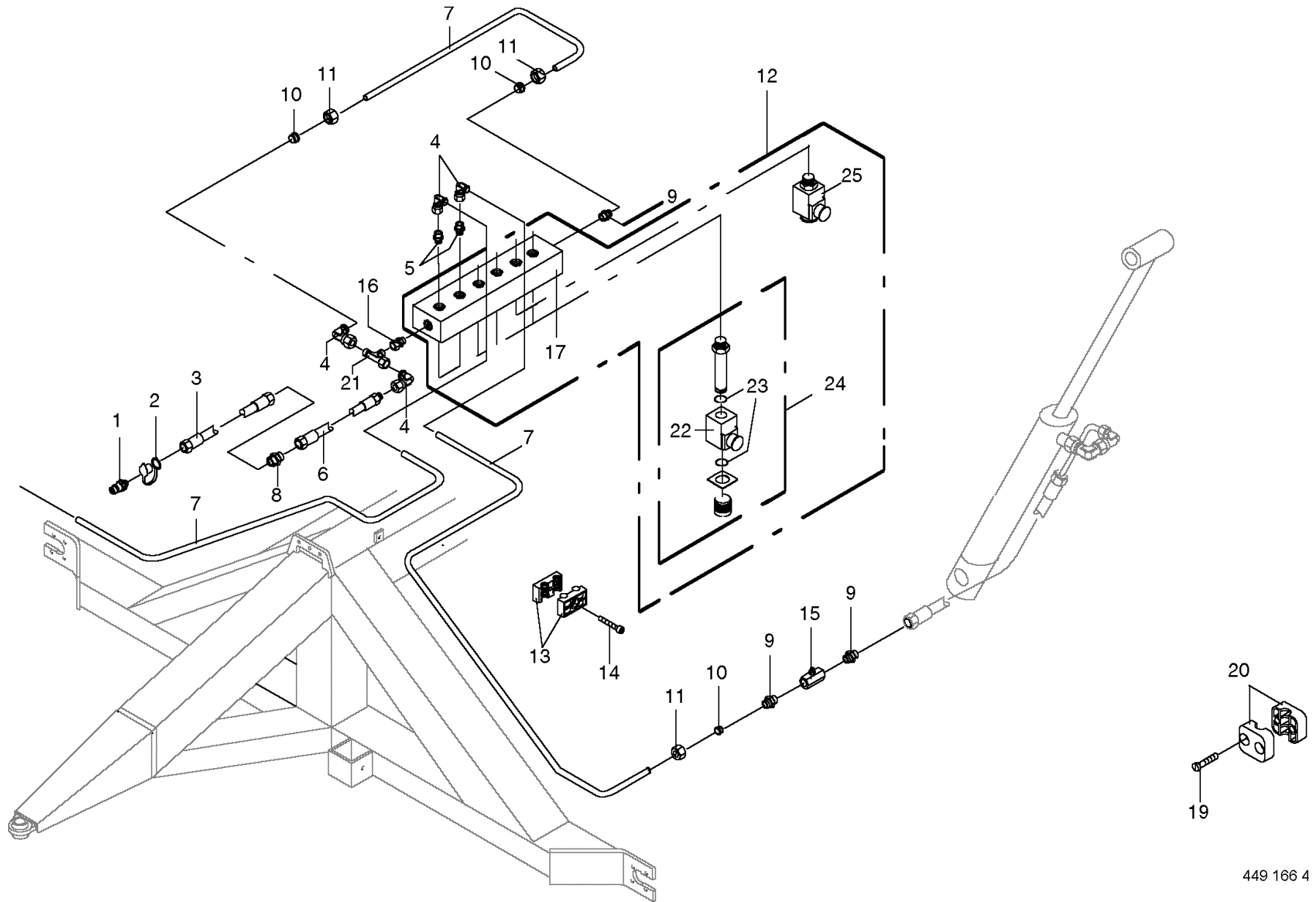


449 150 3

Front Rotor Extension Hydraulic Cylinder

Front Rotor Extension Hydraulic Cylinder

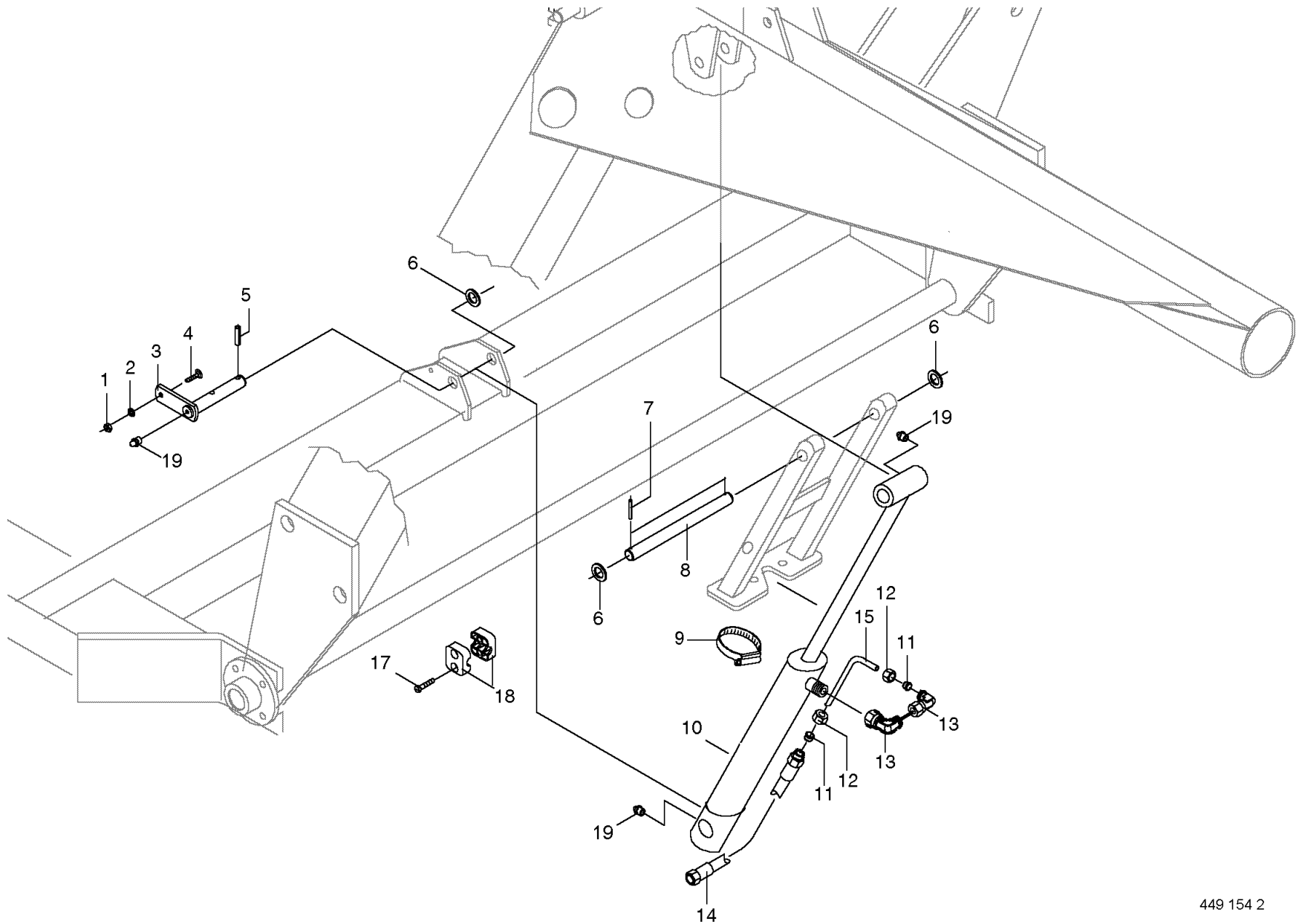
Item	Part Number	Description	Serial # Ranges	KS-1250	Notes
1	910.512.2	Washer		X	B 21
2	912.615.0	Roll Pin		X	5 X 36
3	016.096.0	Pin		X	Rd. 20 X 111
4	921.067.1	Connector		X	L 12
5	921.083.1	Reducer		X	KOR 12/6-PL
6	921.025.2	High Pressure Hose		X	1500mm Long
7	920.978.0	High Pressure Hose		X	1800mm Long
8	918.419.0	Hydraulic Cylinder		X	Dz 40/55 X 950/1120
	918.753.0	Seal Kit		X	
9	925.105.0	Clamp		X	Bo. 12/12
10	903.108.0	Allen Screw		X	M10 X 30
11	908.525.1	Hex Nut		X	M20
12	153.491.1	Cylinder Support		X	
13	143.482.1	Pin		X	Rd. 20 X 85
14	266.274.0	Pulling Support		X	
16	265.409.0	Cylinder Bolt		X	Rd. 20 X 150
17	265.709.0	Tension Spring		X	
18	909.502.0	Annular Nut		X	M10
19	912.584.0	Roll Pin		X	4 X 30
20	265.408.0	Cylinder Bolt		X	Rd. 20 X 150
21	281.752.2	Twine Tensioning Spring		X	
22	901.061.2	Hex Head Bolt		X	M10 X 45
23	266.332.0	Spacer Bushing		X	Ro. 38 X 7.1 X 38



Hydraulics

Hydraulics

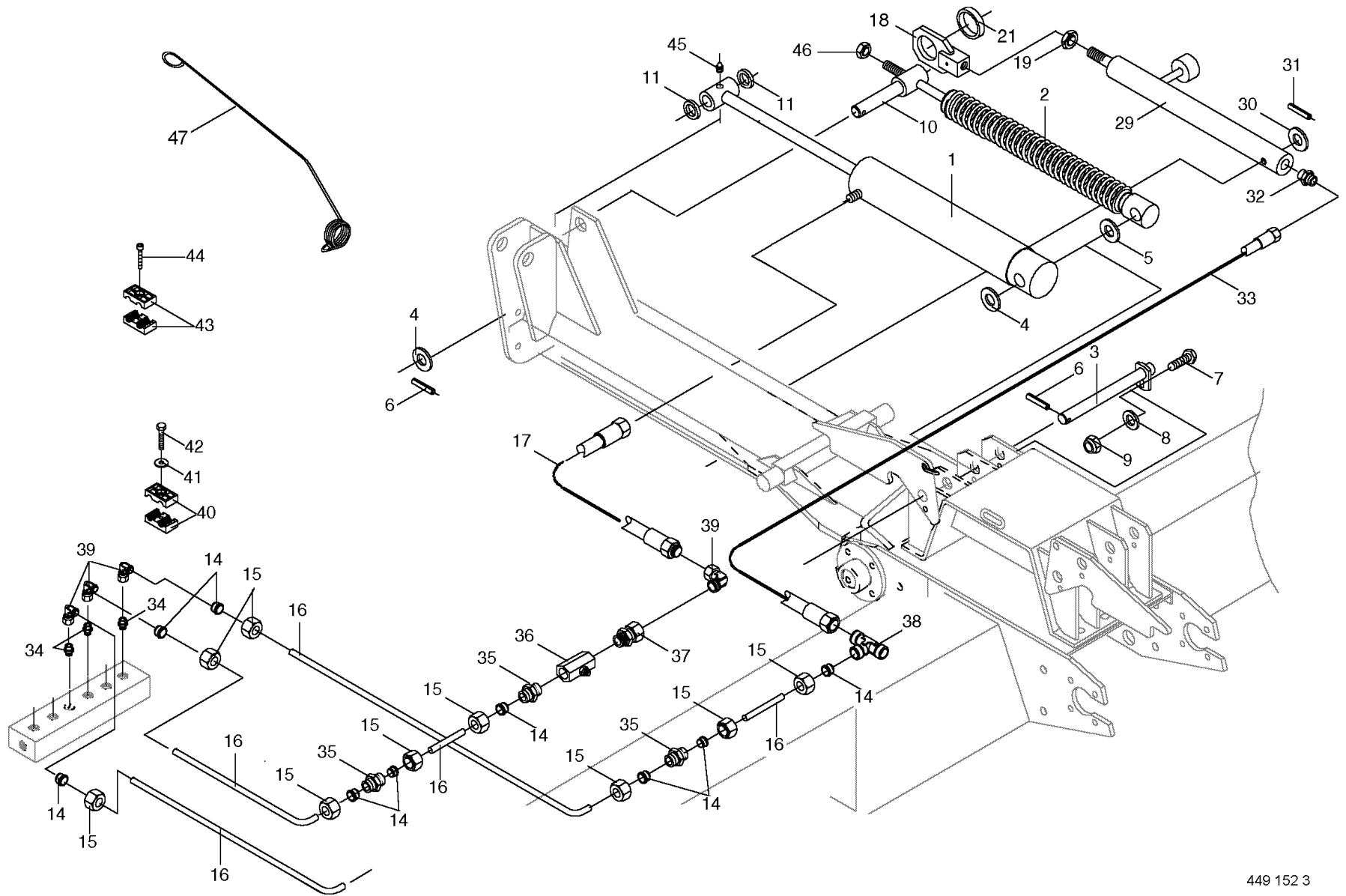
Item	Part Number	Description	Serial # Ranges	KS-1250	Notes
1	921.145.0	Plug		X	M18 X 1.5
2	921.263.0	Dust Cap		X	Blue
3	921.019.1	High Pressure Hose		X	2200mm Long
4	921.067.1	Connector		X	L 12
5	920.901.0	Male Connector		X	L 12
6	921.001.0	High Pressure Hose		X	600mm Long
7	045.506.0	Hydraulic Pipe		X	12 X 1.5
8	921.054.1	Connector		X	L 12
9	920.901.0	Male Connector		X	L 12
10	921.046.1	Cutting Ring		X	L 12
11	921.206.0	Union Nut		X	AL 12
12	920.899.0	Universal Valve		X	
13	925.105.0	Clamp		X	Bo. 12/12
14	903.108.0	Allen Screw		X	M10 X 30
15	921.041.0	Throttle		X	M18 X 1.5
16	921.093.1	Male Connector		X	M18 X 1.5
17	919.695.0	Housing		X	
19	903.477.1	Allen Screw		X	AM 6 X 20
20	925.107.1	Clamp		X	Bo.=12
21	921.079.1	Adjustable L Connection		X	L 12
22	919.646.0	Solenoid Coil		X	12 V
23	919.647.0	Sealing Set		X	
24	919.645.0	2/2 Way Valve		X	
25	921.224.0	Magnetic Valve		X	
	937.547.0	Gasket Ring		X	Rd. 20.35 X 1.68



Rotor Lift Cylinder

Rotor Lift Cylinder

Item	Part Number	Description	Serial # Ranges	KS-1250	Notes
1	908.758.0	Hex Nut		X	M10
2	909.909.0	Detent Edged Washer		X	SKM 10
3	266.078.0	Pin		X	Rd. 30 X 171
4	904.884.0	Flat Round Bolt		X	M12 X 35
5	912.672.0	Roll Pin		X	8 X 50
6	910.516.1	Washer		X	33 X 56 X 4
7	912.646.0	Roll Pin		X	6 X 50
8	266.107.0	Pin		X	Rd. 30 X 185
9	924.007.0	Tube Clip		X	
10	918.418.0	Hydraulic Cylinder		X	Includes Item 19
	918.754.0	Seal Kit		X	
11	921.046.1	Cutting Ring		X	L 12
12	921.206.0	Union Nut		X	AL 12
13	921.067.1	Connector		X	L 12
14	921.028.1	High Pressure Hose		X	1000mm Long
15	045.506.0	Hydraulic Pipe		X	12 X 1.5
17	903.477.1	Allen Screw		X	AM 6 X 20
18	925.107.1	Clamp		X	Bo.=12
19	919.105.0	Grease Fitting		X	AM 8 X 1

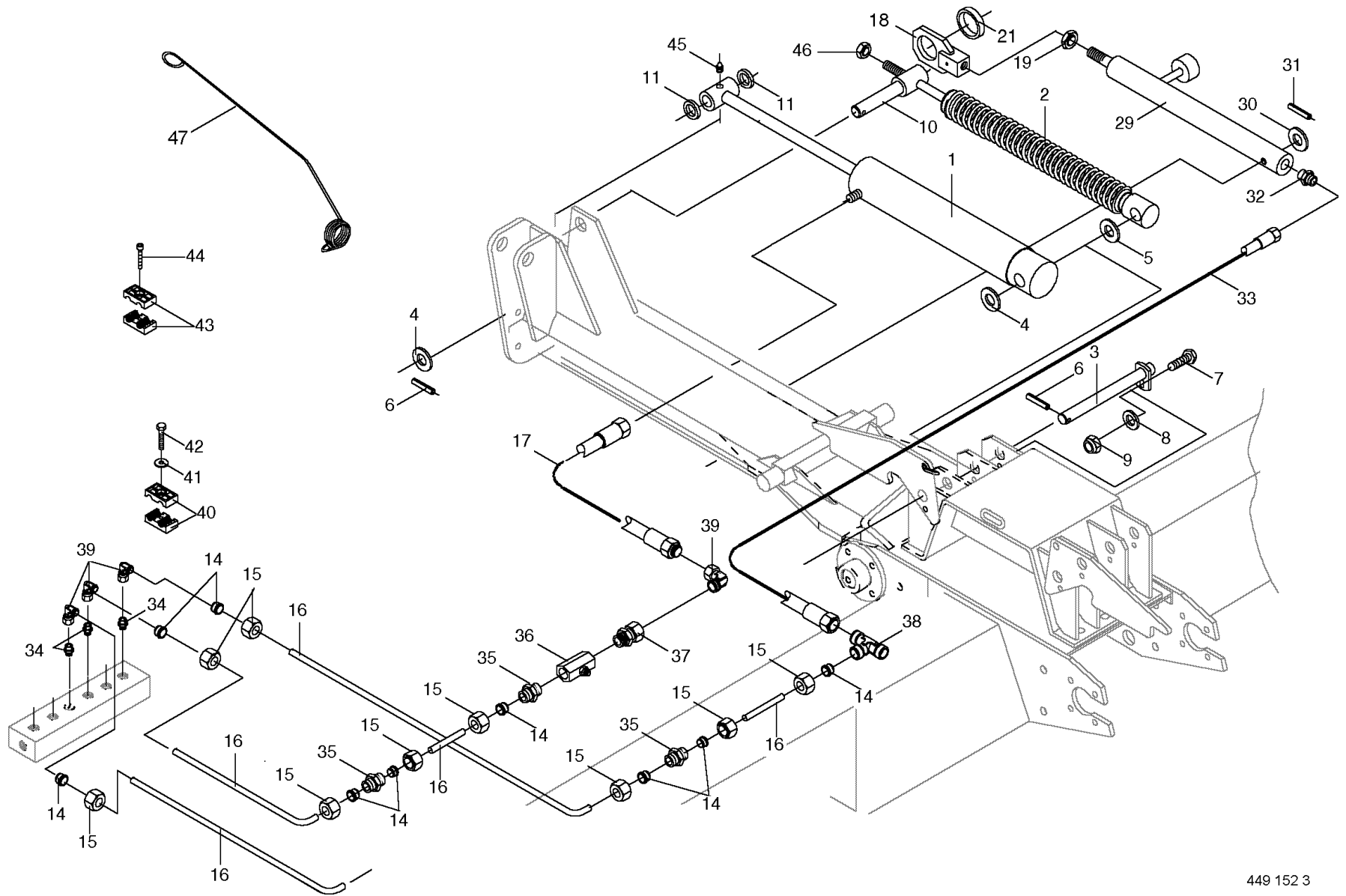


449 152 3

Rear Rotor Extension Hydraulic Cylinder

Rear Rotor Extension Hydraulic Cylinder

Item	Part Number	Description	Serial # Ranges	KS-1250	Notes
1	921.290.1	Hydraulic Cylinder		2	
	918.736.0	Seal Kit		X	
2	265.344.0	Tension Spring		2	
3	265.291.0	Pin		X	
4	910.514.1	Washer		X	26 X 44 X 4
5	910.845.0	Shim		X	25 X 35 X 2.0
6	912.670.0	Roll Pin		X	8 X 40
7	900.617.0	Hex Head Bolt		X	M8 X 30
8	910.413.0	Washer		X	A 8.4
9	908.706.0	Hex Nut		X	M8
10	265.348.0	Pin		X	
11	281.099.0	Bushing		X	Ro. 38 X 7.1 X 7
14	921.046.1	Cutting Ring		X	L 12
15	921.206.0	Union Nut		X	AL 12
16	045.506.0	Hydraulic Pipe		X	12 X 1.5
17	921.028.1	High Pressure Hose		X	1000mm Long
18	265.410.0	Cylinder Support		X	
19	908.525.1	Hex Nut		X	M20
21	265.535.0	Distance Tube		X	Ro. 70 X 3.6 X 13
29	921.297.1	Hydraulic Cylinder		2	
	918.702.0	Seal Kit		X	
30	910.512.2	Washer		X	B 21
31	912.673.0	Roll Pin		X	8 X 36
32	921.059.1	Male Connector		X	L 6
33	920.974.1	High Pressure Hose		X	1000mm Long
34	920.901.0	Male Connector		X	L 12
35	921.054.1	Connector		X	L 12
36	921.041.0	Throttle		2	M18 X 1.5
37	921.093.1	Male Connector		X	M18 X 1.5
38	921.073.1	T Connector		X	L 15
39	921.067.1	Connector		X	L 12
40	925.105.0	Clamp		8	Bo. 12/12
41	910.604.0	Washer		X	9 X 36 X 2.5
42	900.617.0	Hex Head Bolt		X	M8 X 30
43	925.146.0	Clamp		4	15/12 Bo.
44	903.075.0	Allen Screw		X	M8 X 20
45	919.105.0	Grease Fitting		X	AM 8 X 1

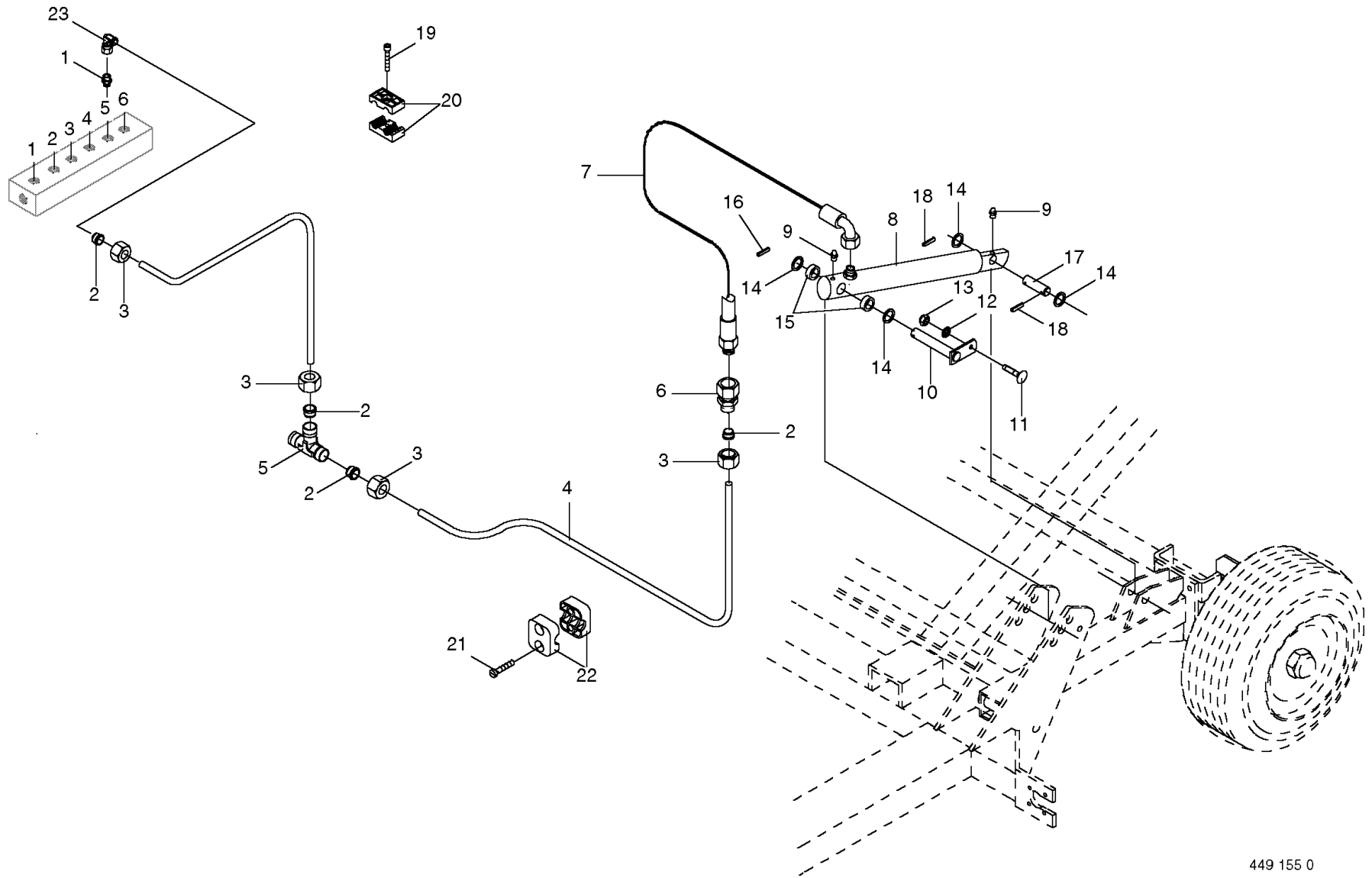


449 152 3

Rear Rotor Extension Hydraulic Cylinder

Rear Rotor Extension Hydraulic Cylinder

Item	Part Number	Description	Serial # Ranges	KS-1250	Notes
46	908.620.0	Hex Nut		X	M16
47	265.495.0	Cable Tensioning Spring		X	

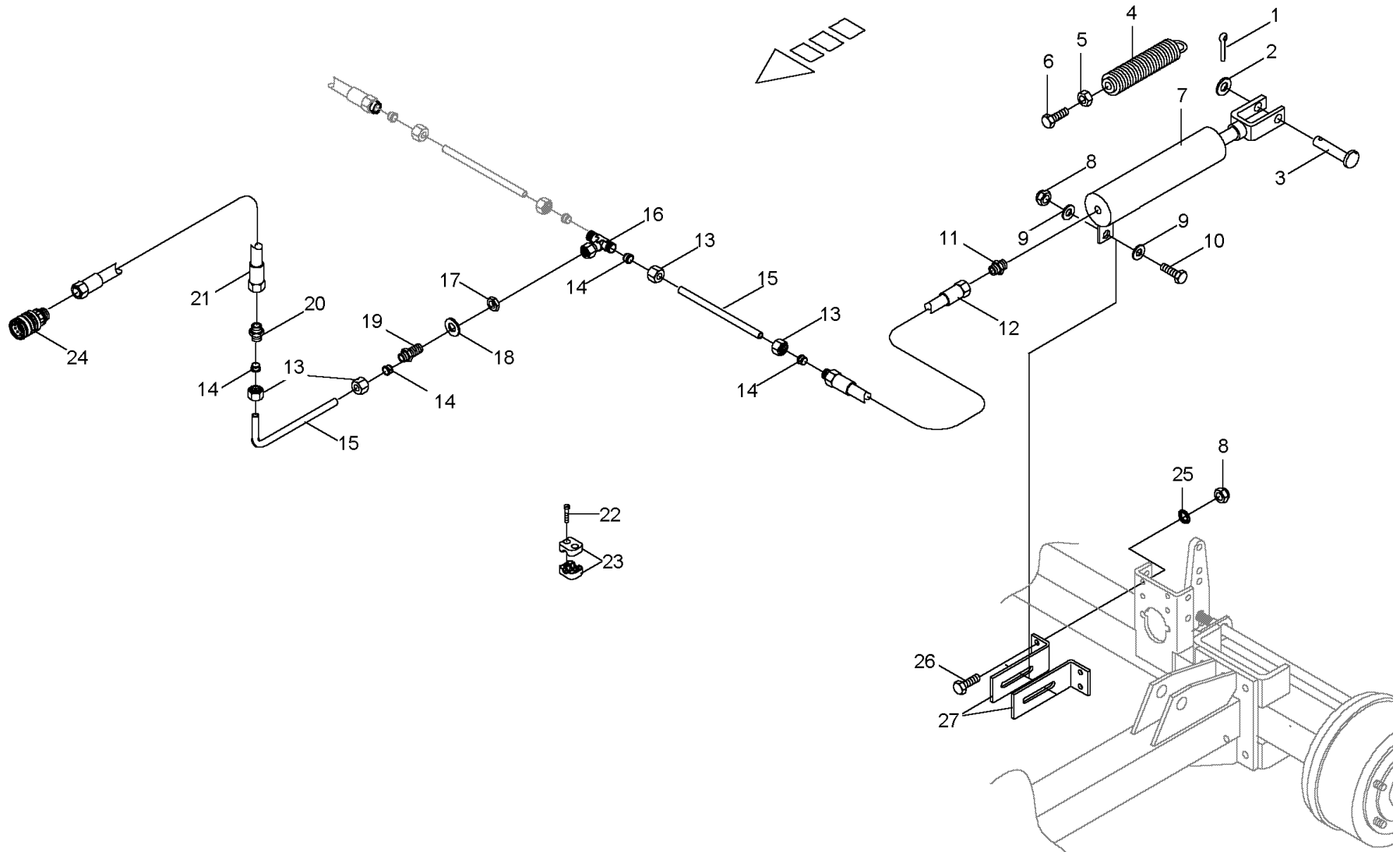


449 155 0

Axle Hydraulics

Axle Hydraulics

Item	Part Number	Description	Serial # Ranges	KS-1250	Notes
1	920.901.0	Male Connector		X	L 12
2	921.046.1	Cutting Ring		X	L 12
3	921.206.0	Union Nut		X	AL 12
4	045.506.0	Hydraulic Pipe		X	12 X 1.5
5	921.073.1	T Connector		X	L 15
6	921.093.1	Male Connector		X	M18 X 1.5
7	921.003.1	High Pressure Hose		2	620mm Long
8	918.420.0	Hydraulic Cylinder		2	Ez 65/ X 230/420
	918.701.1	Seal Kit		X	
9	919.105.0	Grease Fitting		X	AM 8 X 1
10	266.078.0	Pin		X	Rd. 30 X 171
11	904.884.0	Flat Round Bolt		X	M12 X 35
12	909.909.0	Detent Edged Washer		X	SKM 10
13	908.758.0	Hex Nut		X	M10
14	910.516.1	Washer		X	33 X 56 X 4
15	273.865.0	Distance Tube		X	Ro. 38 X 2.6 X 15.5
16	912.672.0	Roll Pin		X	8 X 50
17	332.745.0	Pin		X	Rd. 30 X 100
18	912.646.0	Roll Pin		X	6 X 50
19	903.108.0	Allen Screw		X	M10 X 30
20	925.105.0	Clamp		X	Bo. 12/12
21	903.477.1	Allen Screw		X	AM 6 X 20
22	925.107.1	Clamp		4	Bo.=12
23	921.067.1	Connector		X	L 12

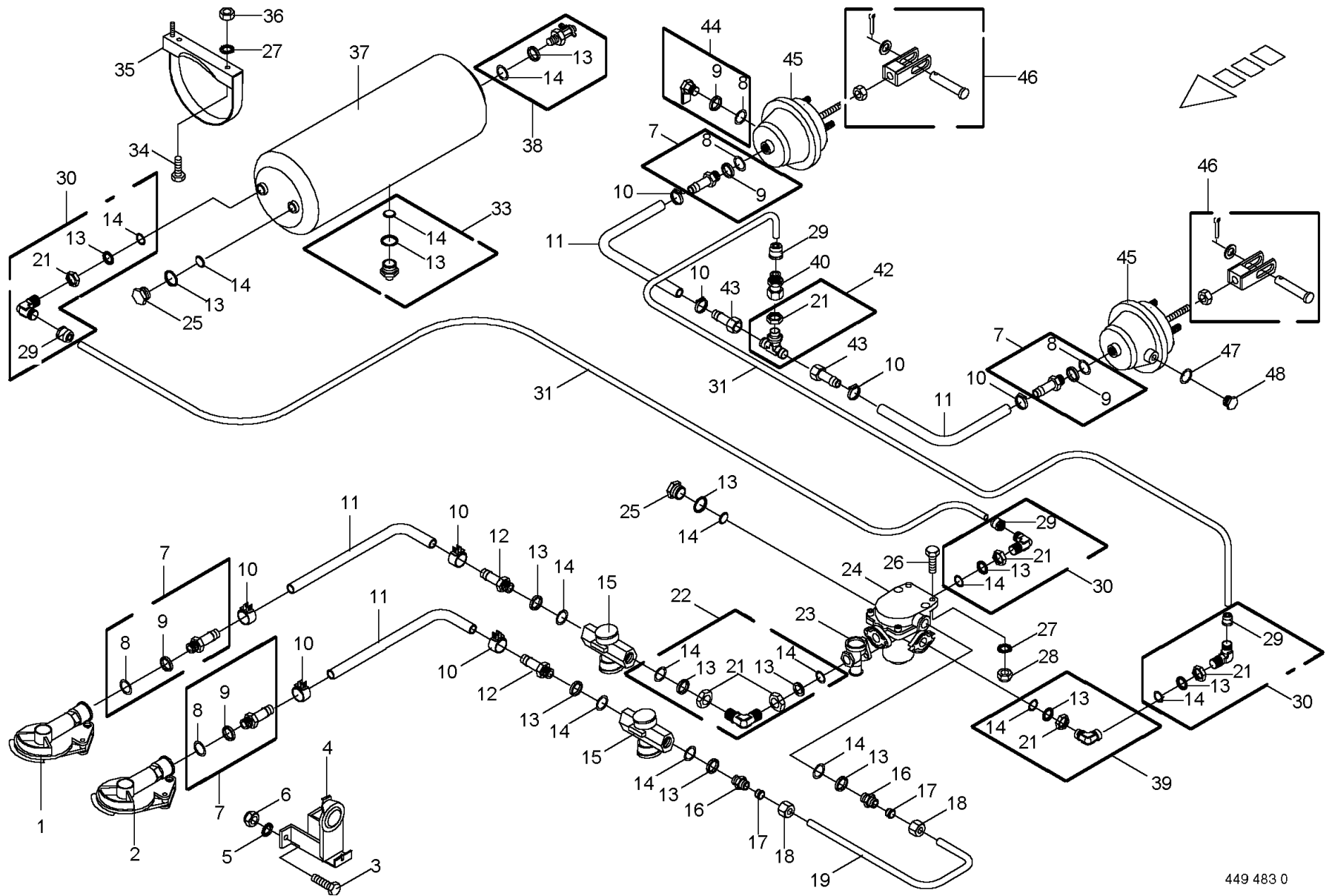


449 419 1

Hydraulic Brakes

Hydraulic Brakes

Item	Part Number	Description	Serial # Ranges	KS-1250	Notes
1	912.066.0	Cotter Pin		X	4 X 28
2	910.510.1	Washer		X	16
3	916.009.0	Pin		X	14 X 50/45
4	273.375.0	Tension Spring		X	Rd. 3.2 X 101
5	908.212.0	Hex Nut		X	M10
6	900.287.0	Hex Head Bolt		X	M10 X 70
7	921.399.0	Hydraulic Cylinder		X	
	921.418.1	Seal Kit		X	
8	908.701.0	Hex Nut		X	M12
9	910.506.0	Washer		X	13 X 24 X 2.5
10	901.454.0	Hex Head Bolt		X	M12 X 55
11	920.901.0	Male Connector		X	L 12
12	921.028.1	High Pressure Hose		X	1000mm Long
13	921.206.0	Union Nut		X	AL 12
14	921.046.1	Cutting Ring		X	L 12
15	045.506.0	Hydraulic Pipe		X	12 X 1.5
16	921.077.1	T Connector		X	L 12
17	908.524.2	Hex Nut		X	M18 X 1.5
18	910.648.0	Washer		X	20.5 X 50 X 2.5
19	921.087.1	Straight 2-way Connector		X	L 12
20	921.054.1	Connector		X	L 12
21	921.020.0	High Pressure Hose		X	3000mm Long
22	903.484.1	Allen Screw		X	AM 6 X 45
23	925.107.1	Clamp		X	Bo.=12
24	921.155.0	Union		X	1/2
25	909.909.0	Detent Edged Washer		X	SKM 10
26	900.638.0	Hex Head Bolt		X	M10 X 35
27	266.315.1	Cylinder Support		X	

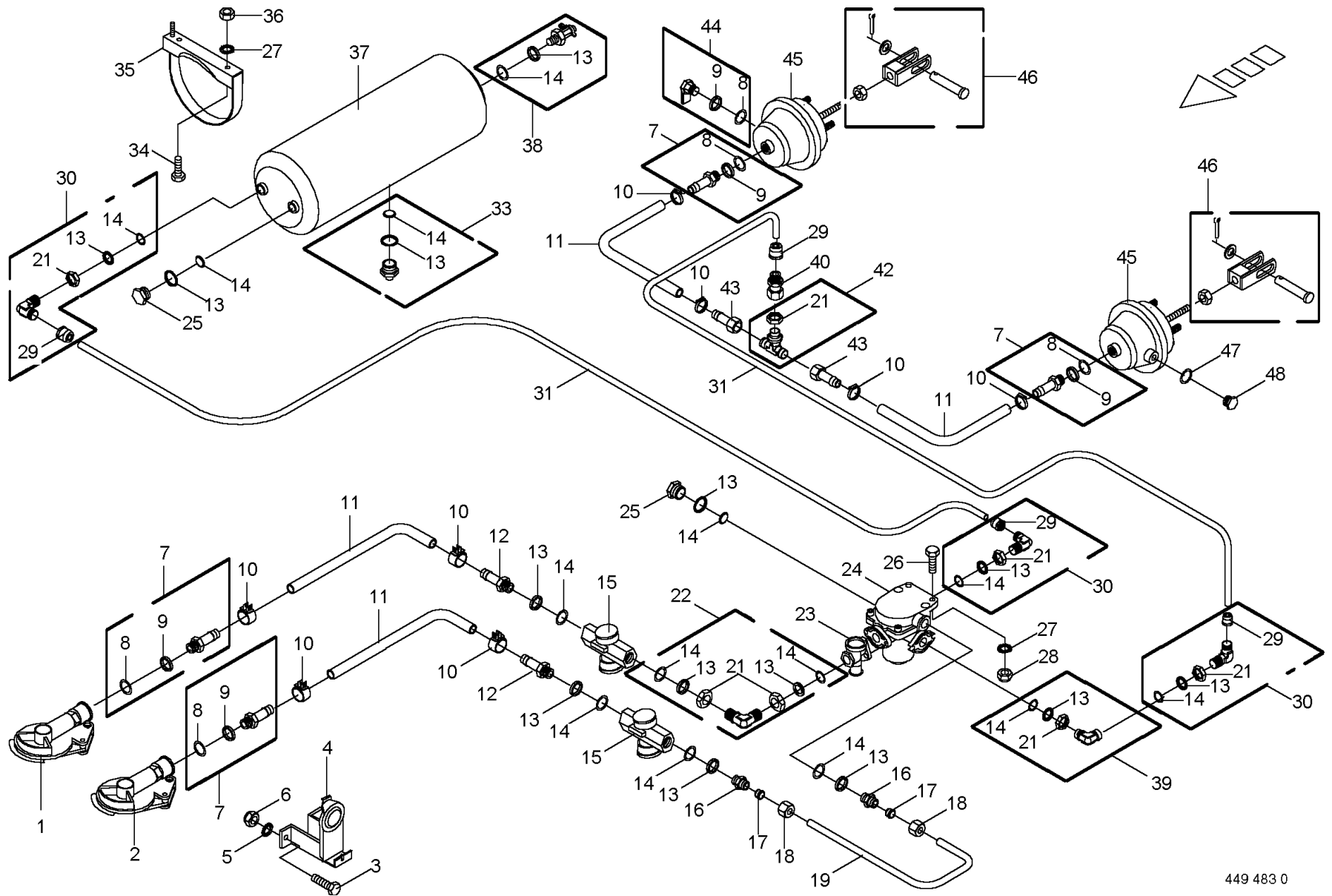


449 483 0

Air Brakes

Air Brakes

Item	Part Number	Description	Serial # Ranges	KS-1250	Notes
1	945.012.0	Coupling Red		X	
	945.437.0	Gasket		X	
2	945.000.0	Coupling Yellow		X	
	945.437.0	Gasket		X	
3	900.614.0	Hex Head Bolt		X	M8 X 20
4	945.051.0	Holder		X	
5	909.908.0	Detent Edged Washer		X	SKM 8
6	908.706.0	Hex Nut		X	M8
7	945.485.0	Hose Connector		X	M16 X 1.5
8	945.084.0	O-Ring		X	15 X 2
9	945.083.0	Thrust Ring		X	M16 X 1.5
10	945.086.0	Hose Clamp		X	S 18/12
11	945.085.0	Tube		X	11/25 X 3800
12	945.518.0	Hose Connector		X	
13	945.088.0	Thrust Ring		X	M22 X 1.5
14	945.089.0	O-Ring		X	20 X 2.5
15	945.014.0	Air Filter		X	
16	920.911.0	Male Connector		X	L 15 MB/M22 X 1.5
17	921.047.1	Cutting Ring		X	L 15
18	921.043.0	Union Nut		X	AL 15
19	045.507.0	Hydraulic Pipe		X	15 X 1.5
21	921.074.1	Hex Nut		X	M22 X 1.5
22	945.484.0	Elbow Assembly		X	M22 X 1.5
23	945.358.0	Release Valve		X	
24	945.420.0	Brake Valve		X	
26	900.639.0	Hex Head Bolt		X	M10 X 40
27	909.909.0	Detent Edged Washer		X	SKM 10
28	908.758.0	Hex Nut		X	M10
29	945.495.0	Snap-on Connection		X	M18 X 1.5
30	945.489.0	Elbow Assembly		X	
31	945.132.0	Plastic Tube		X	12 X 1.5
33	945.067.0	Drain Valve		X	M22 X 1.5
34	900.637.0	Hex Head Bolt		X	M10 X 30
35	945.037.0	Binding Strap		X	
36	908.212.0	Hex Nut		X	M10
37	945.461.0	Air Tank		X	20 Liter
38	945.068.1	Connection for Test Instrument		X	M22 X 1.5 / M16 X 1.5
39	945.107.1	Elbow Assembly		X	M22 X 1.5

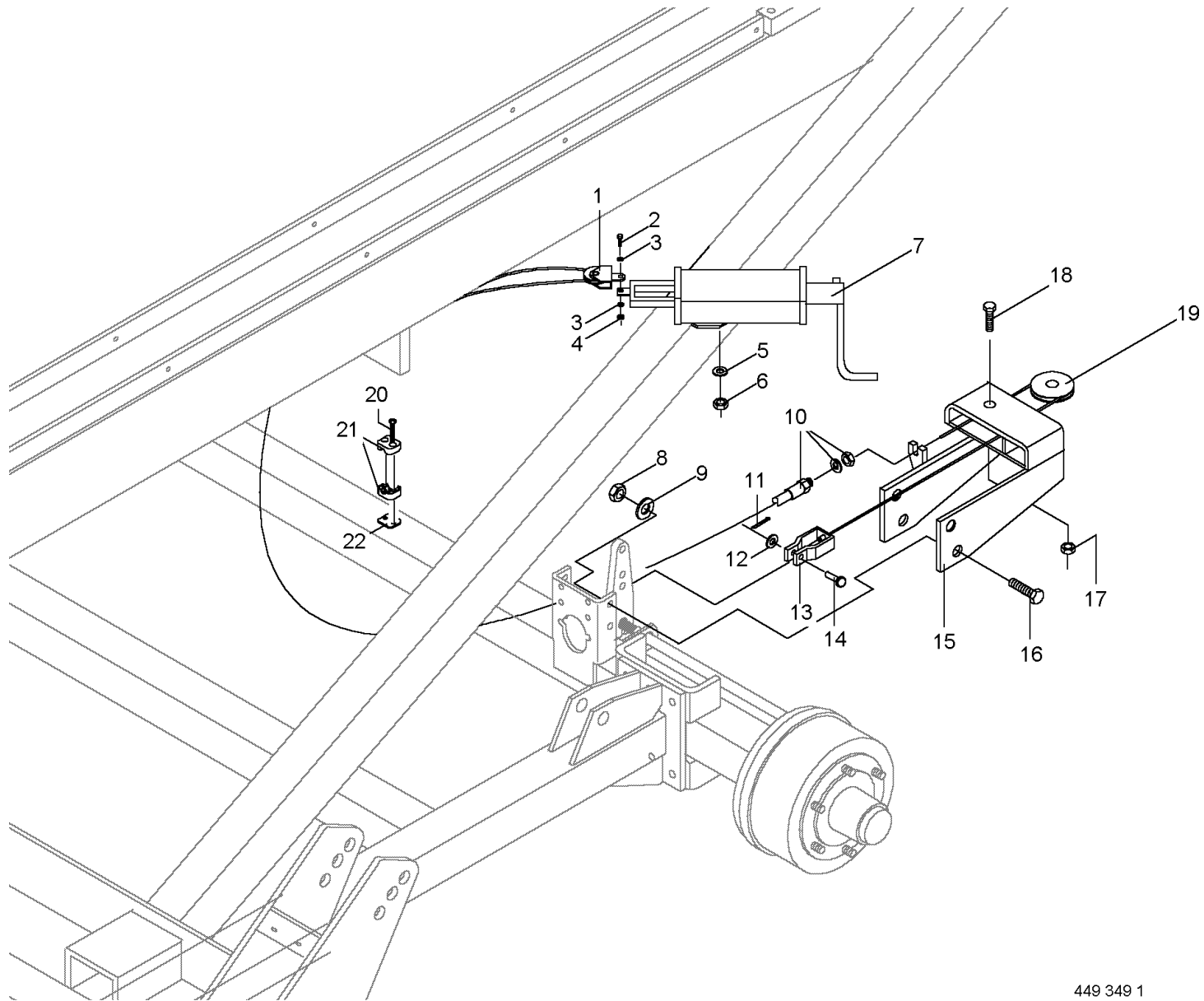


449 483 0

Air Brakes

Air Brakes

Item	Part Number	Description	Serial # Ranges	KS-1250	Notes
40	921.160.1	Reducer		X	KOR 15/12-PL
42	945.497.0	T Connector		X	M22 X 1.5
43	945.349.0	Hose Connector		X	M22 X 1.5
44	945.151.0	Connector for Test Instrument		X	M16 X 1.5
45	945.158.0	Cylinder Membrane		X	Typ 12
46	945.370.1	Clevis Assembly		X	
47	937.721.0	Gasket Ring		X	16 X 22 X 1.5
48	906.007.0	Screw Plug		X	M16 X 1.5

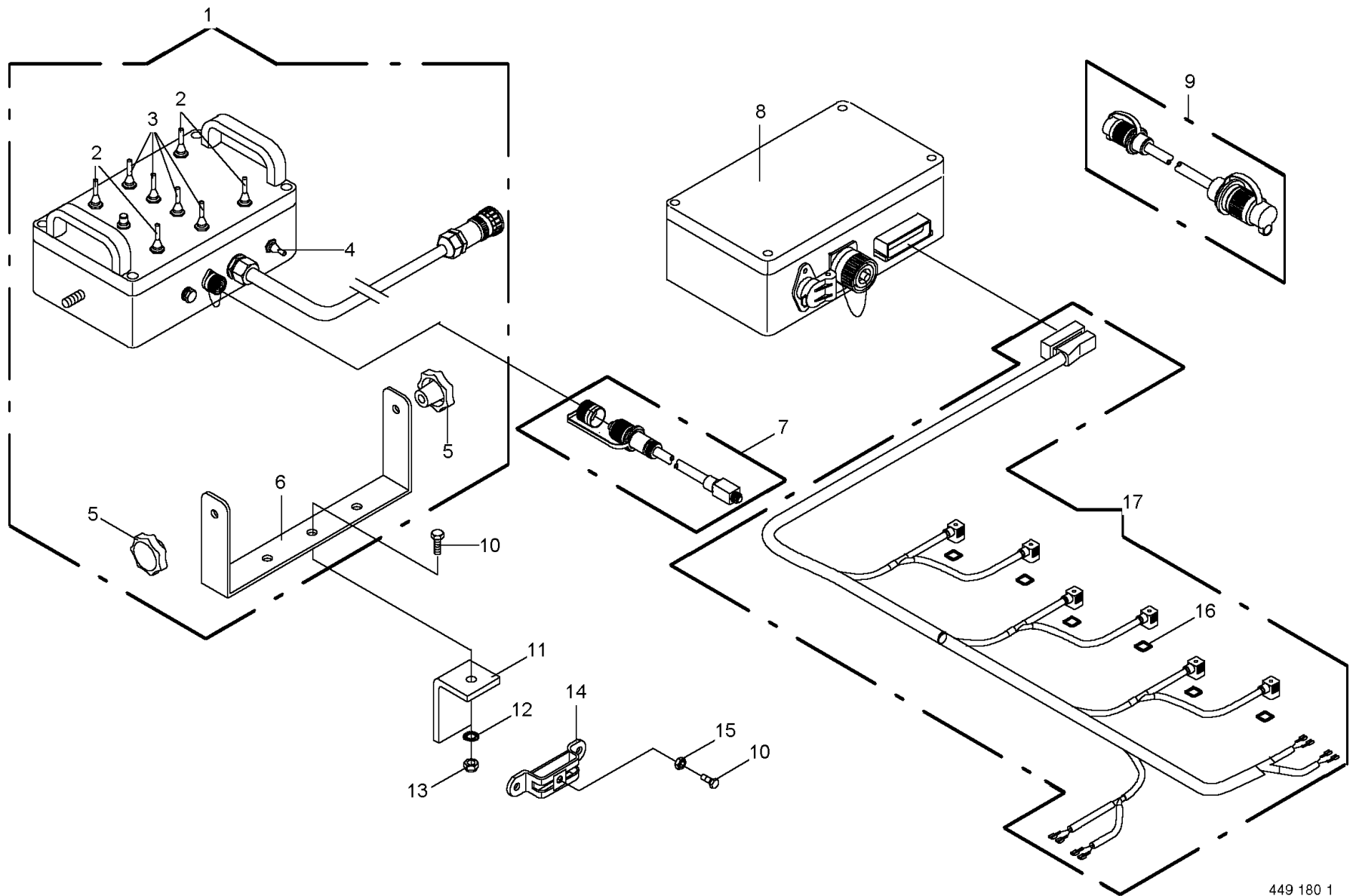


449 349 1

Hand Brake

Hand Brake

Item	Part Number	Description	Serial # Ranges	KS-1250	Notes
1	952.123.0	Pull Cable		X	Rd. 6.4 X 1850mm Long
2	900.657.0	Hex Head Bolt		X	M12 X 35
3	910.506.0	Washer		X	13 X 24 X 2.5
4	908.701.0	Hex Nut		X	M12
5	910.303.0	Washer		X	17 X 30 X 3
6	908.716.1	Hex Nut		X	NM 16
7	336.988.0	Parking Brake		X	
8	908.701.0	Hex Nut		X	M12
9	910.506.0	Washer		X	13 X 24 X 2.5
10	952.122.0	Bowden Cable		X	Rd. 19 X 6100mm Long
11	912.067.1	Cotter Pin		X	4 X 32
12	910.506.0	Washer		X	13 X 24 X 2.5
13	175.275.0	U-Bracket		X	
14	916.014.0	Pin		X	12 X 35/31
15	952.670.0	Reversing Block R/H		X	
	952.671.0	Reversing Block L/H		X	
16	900.656.0	Hex Head Bolt		X	M12 X 30
17	908.758.0	Hex Nut		X	M10
18	901.435.0	Hex Head Bolt		X	M10 X 60
19	952.683.0	Rope Pulley		X	
20	903.481.1	Allen Screw		X	AM 6 X 30
21	925.102.1	Clamp		X	Bo.=18
22	925.145.0	Cover Plate		X	

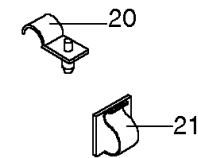
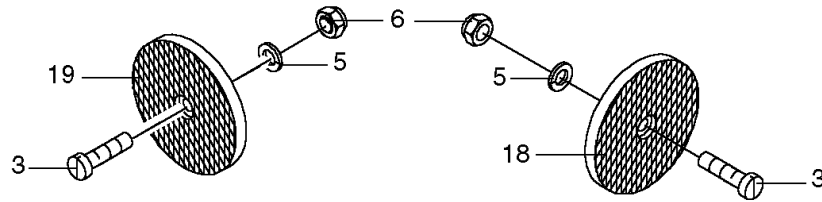
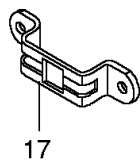
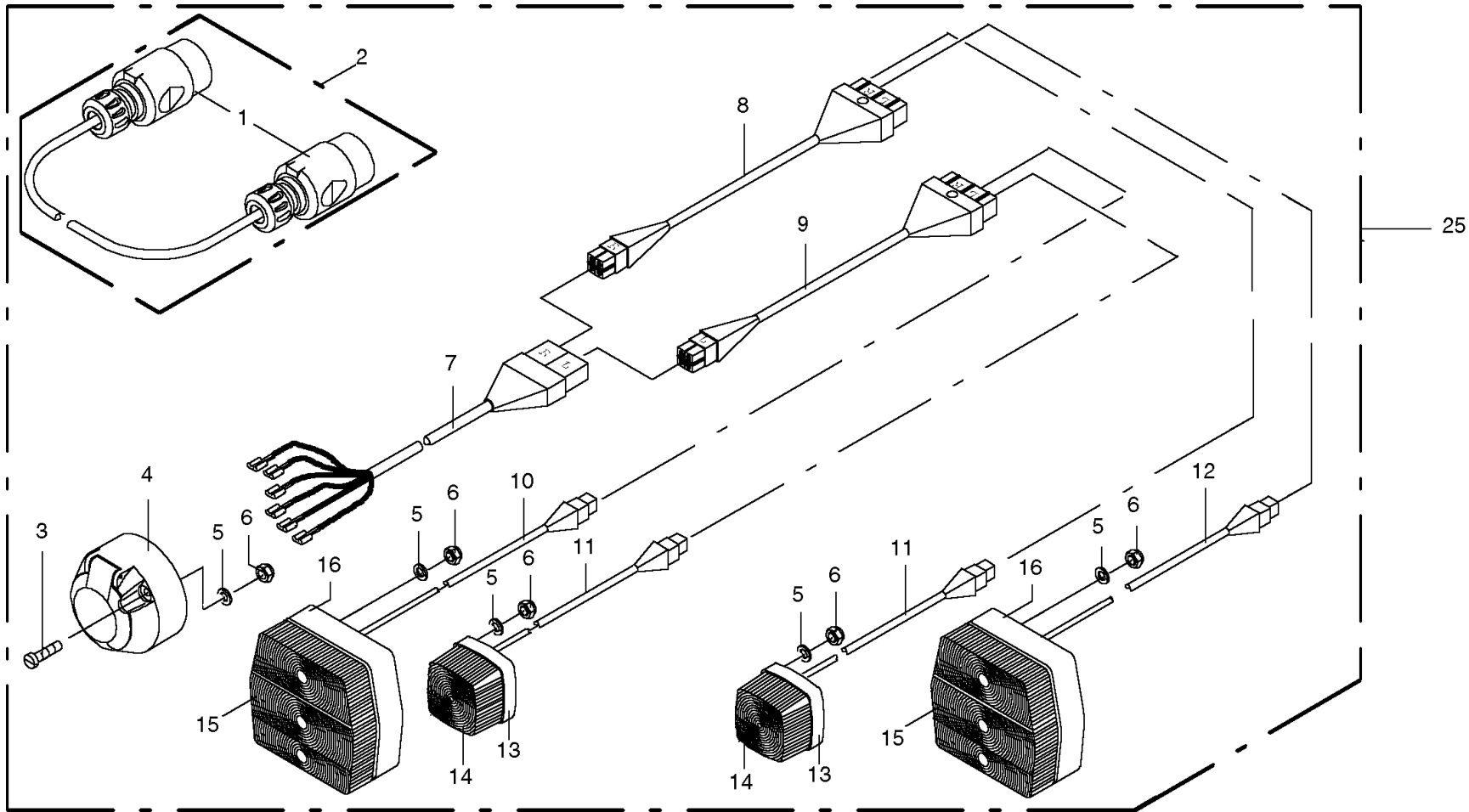


449 180 1

Electronic Controls

Electronic Controls

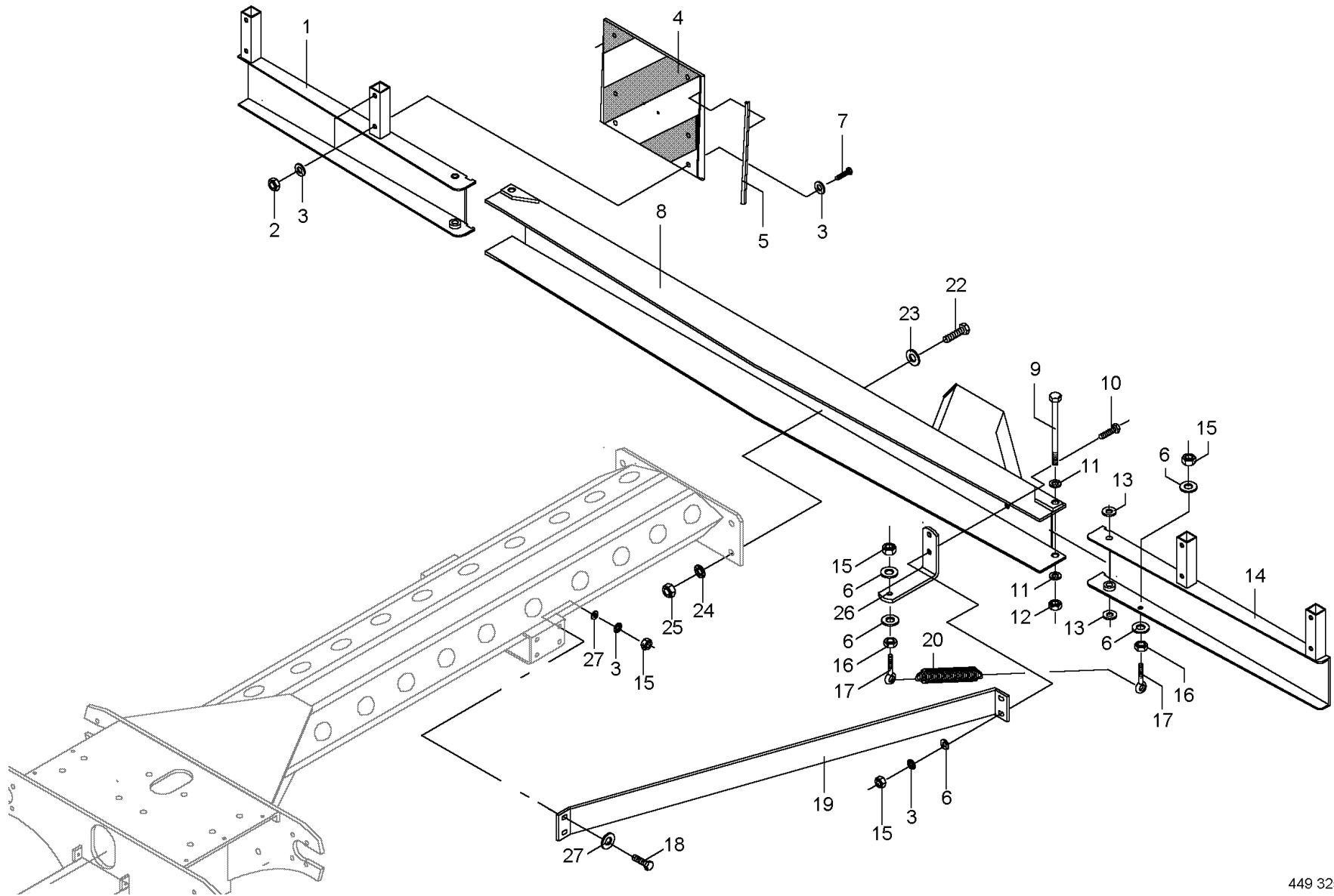
Item	Part Number	Description	Serial # Ranges	KS-1250	Notes
1	302.184.0	Control Box Complete		X	
2	301.202.0	Toggle Switch		X	MOM-OFF-MOM
3	301.204.0	Toggle Switch		X	ON-OFF-ON
4	301.775.0	Toggle Switch		X	ON-OFF
5	919.502.0	Handle		X	
6	302.042.0	Yoke		X	
7	302.236.0	Plug		X	
8	302.186.0	Job Computer		X	
9	302.092.0	Connection Cable		X	5000mm Long
10	900.636.0	Hex Head Bolt		X	M10 X 25
11	333.706.0	Support		X	
12	909.909.0	Detent Edged Washer		X	SKM 10
13	908.758.0	Hex Nut		X	M10
14	953.715.0	Holder		X	
15	908.212.0	Hex Nut		X	M10
16	301.186.0	Gasket		X	
17	302.179.0	Wiring Harness		X	



Lighting

Lighting

Item	Part Number	Description	Serial # Ranges	KS-1250	Notes
1	924.576.0	Plug		X	7 Pole Includes Item 1, 2.8m Long AM 5 X 30 7 Pole B 5
2	924.610.1	Extension Cable		X	
3	903.661.0	Allen Screw		X	
4	924.571.0	Socket		X	
5	910.031.0	Spring Washer		X	
6	908.207.0	Hex Nut		X	M5 6 Pole, 6400mm Long 4 Pole, 1800mm Long 4 Pole, 1800mm Long 4 Pole, 1100mm Long
7	924.680.0	Cable		X	
8	924.642.0	Cable		X	
9	924.643.0	Cable		X	
10	924.646.0	Cable		X	
11	924.644.0	Cable		X	2 Pole, 600mm Long 4 Pole, 1100mm Long
12	924.647.0	Cable		X	
13	924.611.0	Lamp		X	
14	924.623.0	Lens for Lamp		X	
15	924.699.0	Lens for Lamp		X	
16	924.697.0	Lamp R/H		X	
17	953.715.0	Holder		X	
18	924.536.0	Side Light Yellow		X	
19	924.535.1	Rear Reflector Red		X	
20	925.112.0	Bottom Pipe Retainer		X	
21	925.181.0	Cord Clips		X	Rd. 8
22	266.090.0	Lighting Complete		X	

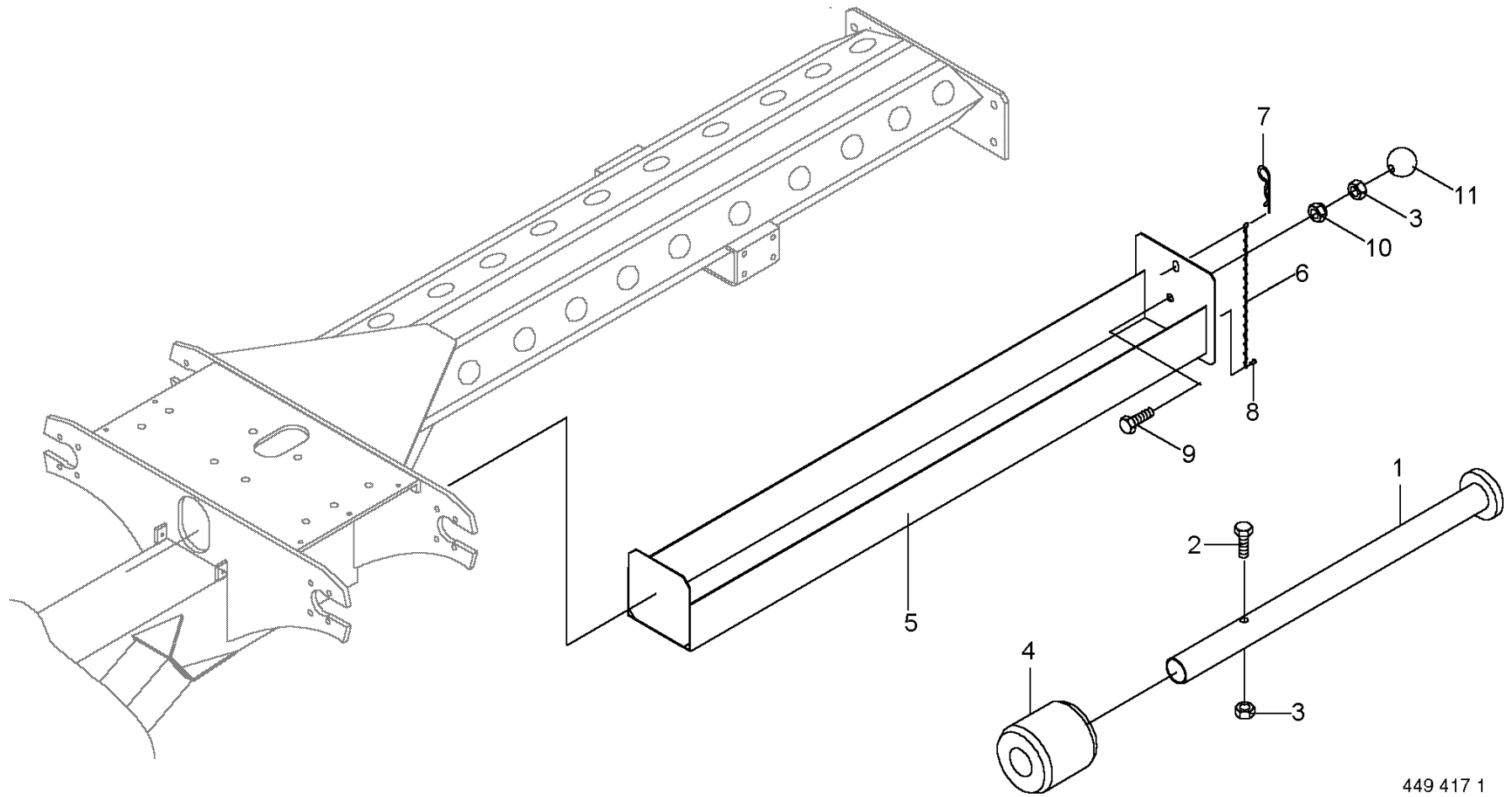


449 325 1

Warning Panels

Warning Panels

Item	Part Number	Description	Serial # Ranges	KS-1250	Notes
1	266.244.0	Warning Panel Support		X	
2	908.212.0	Hex Nut		X	M10
3	909.909.0	Detent Edged Washer		X	SKM 10
4	260.490.0	Warning Panel		X	423 X 423
	924.569.0	Decal		X	423 X 423
5	925.111.0	Edge Protection		X	
6	910.414.0	Washer		X	A 10.5
7	901.061.2	Hex Head Bolt		X	M10 X 45
8	266.246.0	Plate		X	
9	901.148.0	Hex Head Bolt		X	M16 X 170
10	901.431.0	Hex Head Bolt		X	M10 X 40
11	910.303.0	Washer		X	17 X 30 X 3
12	908.716.1	Hex Nut		X	NM 16
13	910.347.0	Washer		X	17 X 37 X 3
14	266.243.0	Warning Panel Support		X	
15	908.758.0	Hex Nut		X	M10
16	908.212.0	Hex Nut		X	M10
17	905.337.0	Eye Screw		X	M10 X 70
18	900.636.0	Hex Head Bolt		X	M10 X 25
19	266.127.0	Strut		X	
20	250.067.2	Tension Spring		X	
22	900.335.1	Hex Head Bolt		X	M16 X 30
23	910.356.0	Washer		X	R 18
24	909.912.0	Detent Edged Washer		X	SKM 16
25	908.716.1	Hex Nut		X	NM16
26	266.251.0	Spring Retainer		X	
27	910.353.0	Washer		X	11 X 34 X 3

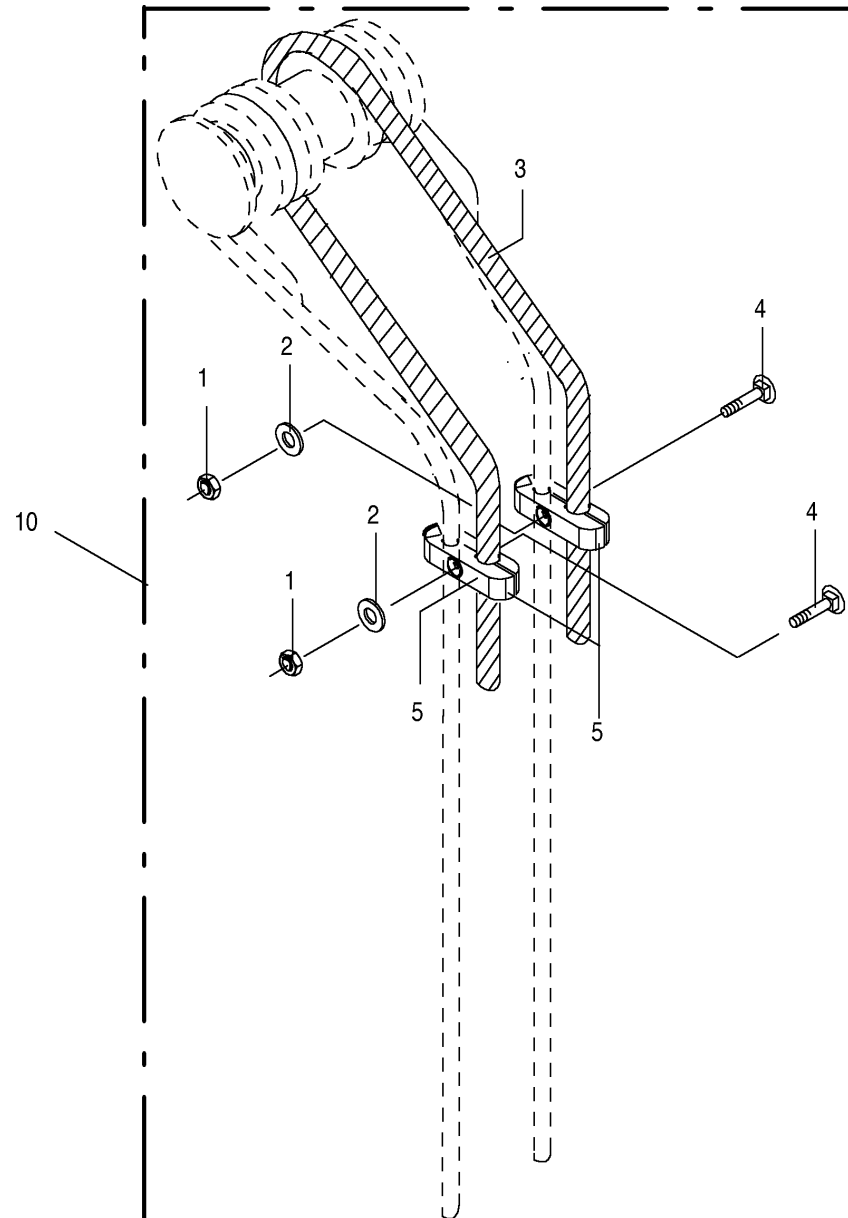


449 417 1

Tool Box

Tool Box

Item	Part Number	Description	Serial # Ranges	KS-1250	Notes
1	266.276.0	Tine Arm Removal Tool		X	
2	901.435.0	Hex Head Bolt		X	M10 X 60
3	908.212.0	Hex Nut		X	M10
4	266.279.0	Slide Hammer		X	
5	266.270.0	Tool Box		X	
6	922.650.0	Chain		X	
7	917.104.0	Spring Clip		X	4
8	914.138.0	Rivet		X	4.8 X 14.5
9	900.639.0	Hex Head Bolt		X	M10 X 40
10	908.758.0	Hex Nut		X	M10
11	919.509.0	Ball Knob		X	C 40

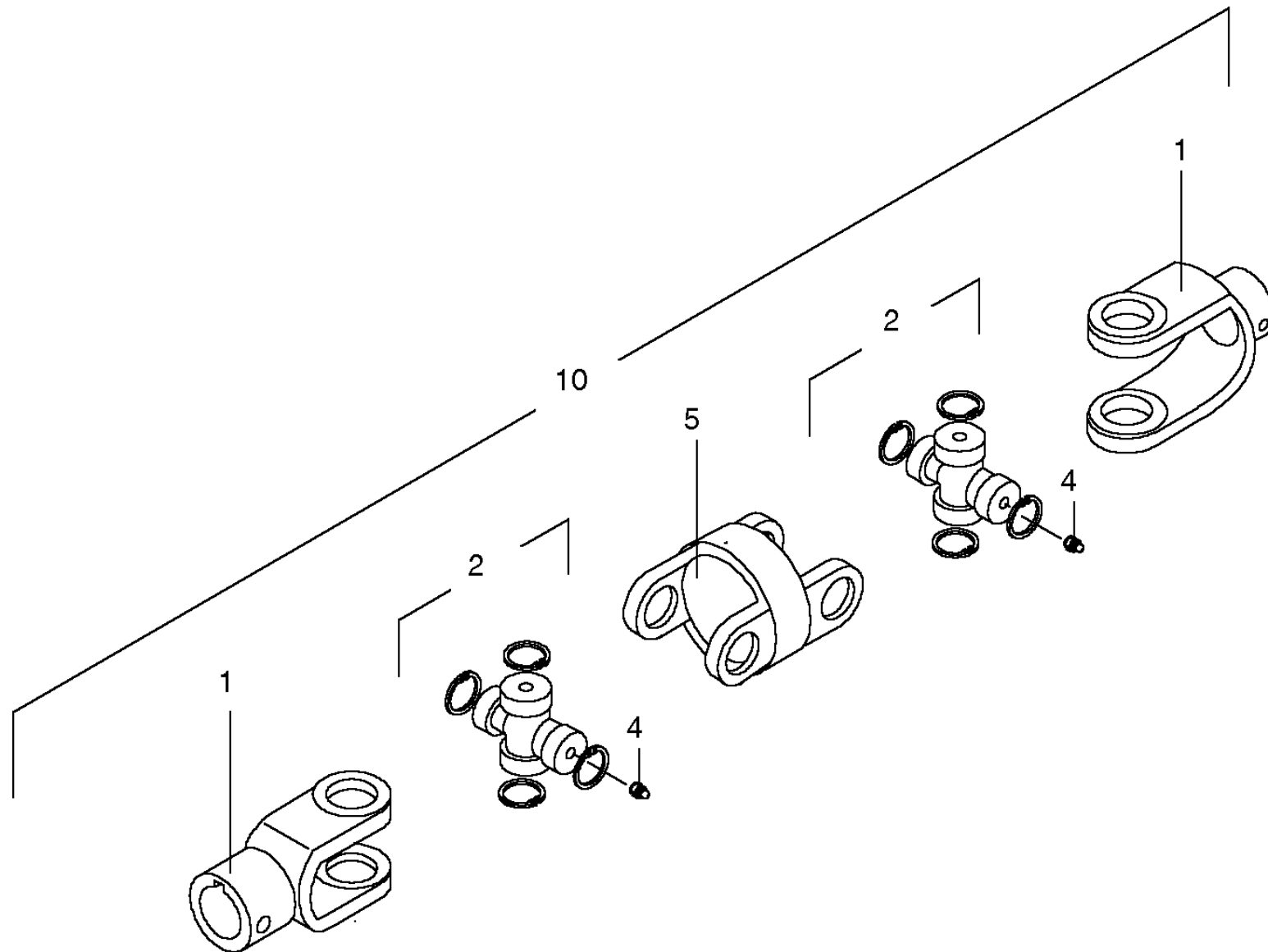


448 476 1

Tine Savers

Tine Savers

Item	Part Number	Description	Serial # Ranges	KS-1250	Notes
1	908.704.1	Hex Nut		X	M6
2	910.351.1	Washer		X	6.4 X 18 X 1.6
3	153.861.0	Cord		X	
4	904.804.0	Flat Round Bolt		X	M6 X 30
5	153.860.0	Clamping Piece		X	
10	153.479.0	Tine Saver		208	

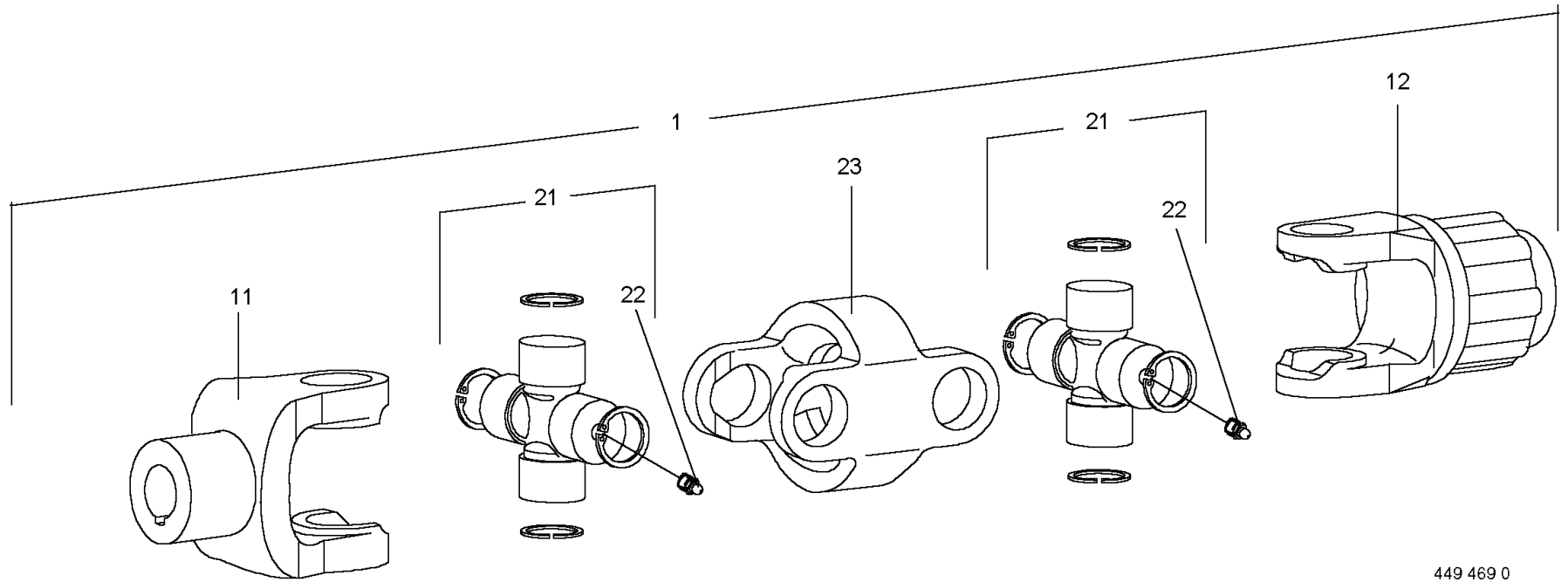


449 468 0

Wide Angle Universal Joint

Wide Angle Universal Joint

Item	Part Number	Description	Serial # Ranges	KS-1250	Notes
1	956.253.0	Outer Yoke		X	
2	956.561.0	Cross Assembly Complete		X	
4	919.002.0	Grease Fitting		X	H1S M6
5	956.229.0	Double Yoke		X	
10	949.154.1	Universal Joint Wide Angle Complete		X	Gr. 2

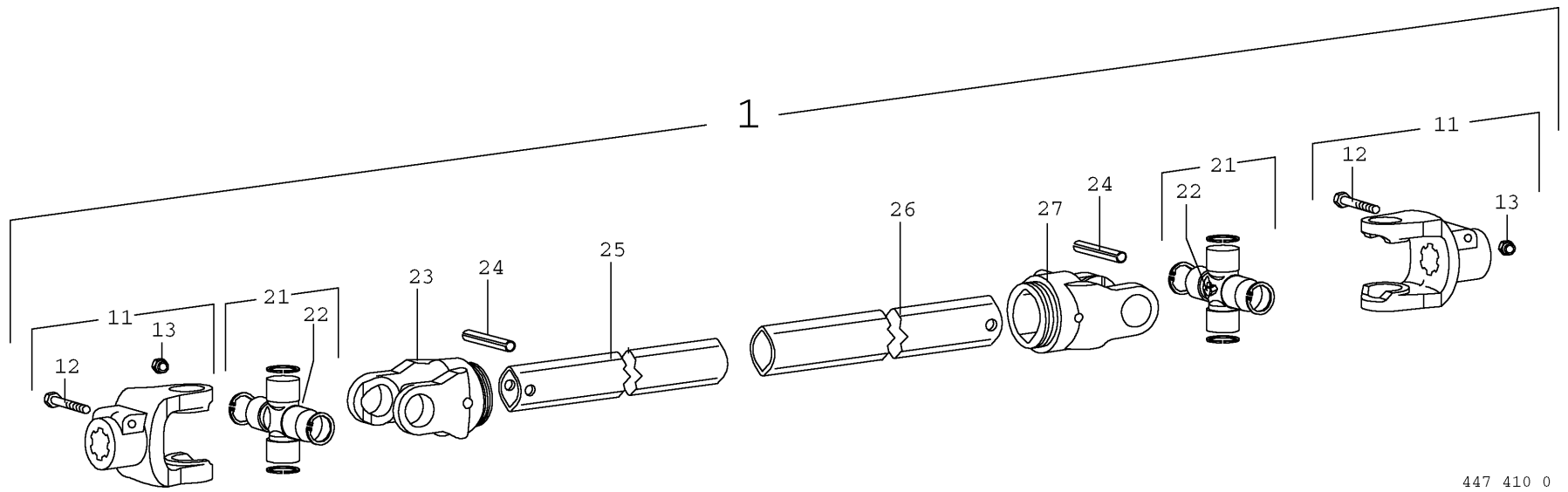


449 469 0

Double Universal Joint

Double Universal Joint

Item	Part Number	Description	Serial # Ranges	KS-1250	Notes
1	949.391.0	Double Universal Joint		X	1 3/8" - 6 Spline 600NM
11	949.394.0	Outer Yoke		X	
12	949.370.1	Ratchet Clutch		X	
21	949.368.0	Cross Assembly Complete		X	
22	919.203.0	Grease Fitting		X	
23	949.369.0	Double Yoke		X	

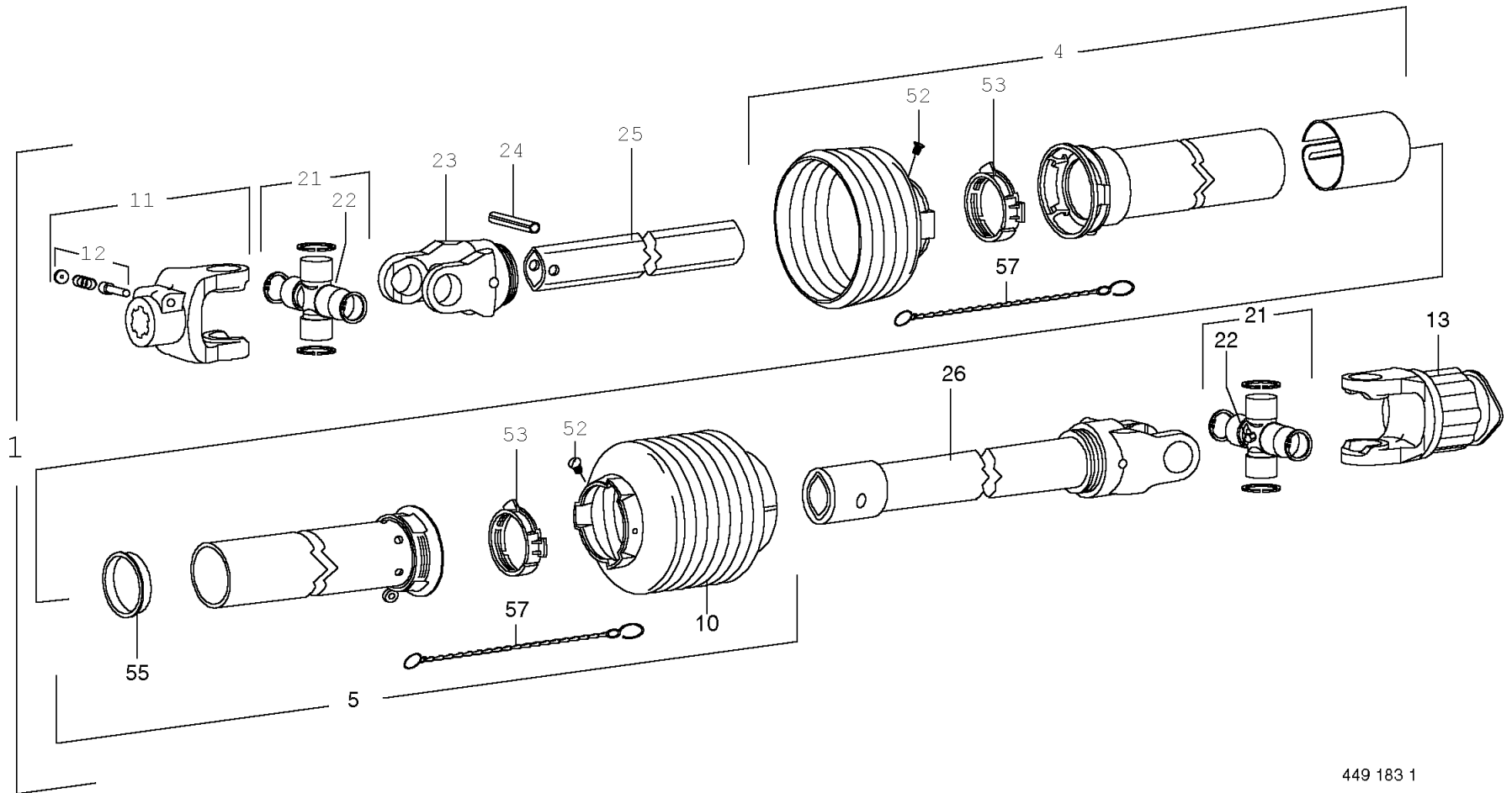


447 410 0

Rotor PTO Shaft

Rotor PTO Shaft

Item	Part Number	Description	Serial # Ranges	KS-1250	Notes
1	949.150.0	PTO Shaft Complete		X	W 2300-410 L
11	949.306.0	Outer Yoke		X	1 3/8" - 6 Spline
12	901.453.0	Hex Head Bolt		X	M12 X 65
13	908.711.1	Hex Nut		X	M12
21	949.462.0	Cross Assembly		X	
22	919.203.0	Grease Fitting		X	
23	949.465.0	Grooved Yoke		X	
24	912.719.0	Roll Pin		X	10 X 65
25	949.663.0	Inner Tube		X	
26	949.706.0	Outer Tube		X	
27	949.467.0	Grooved Yoke		X	

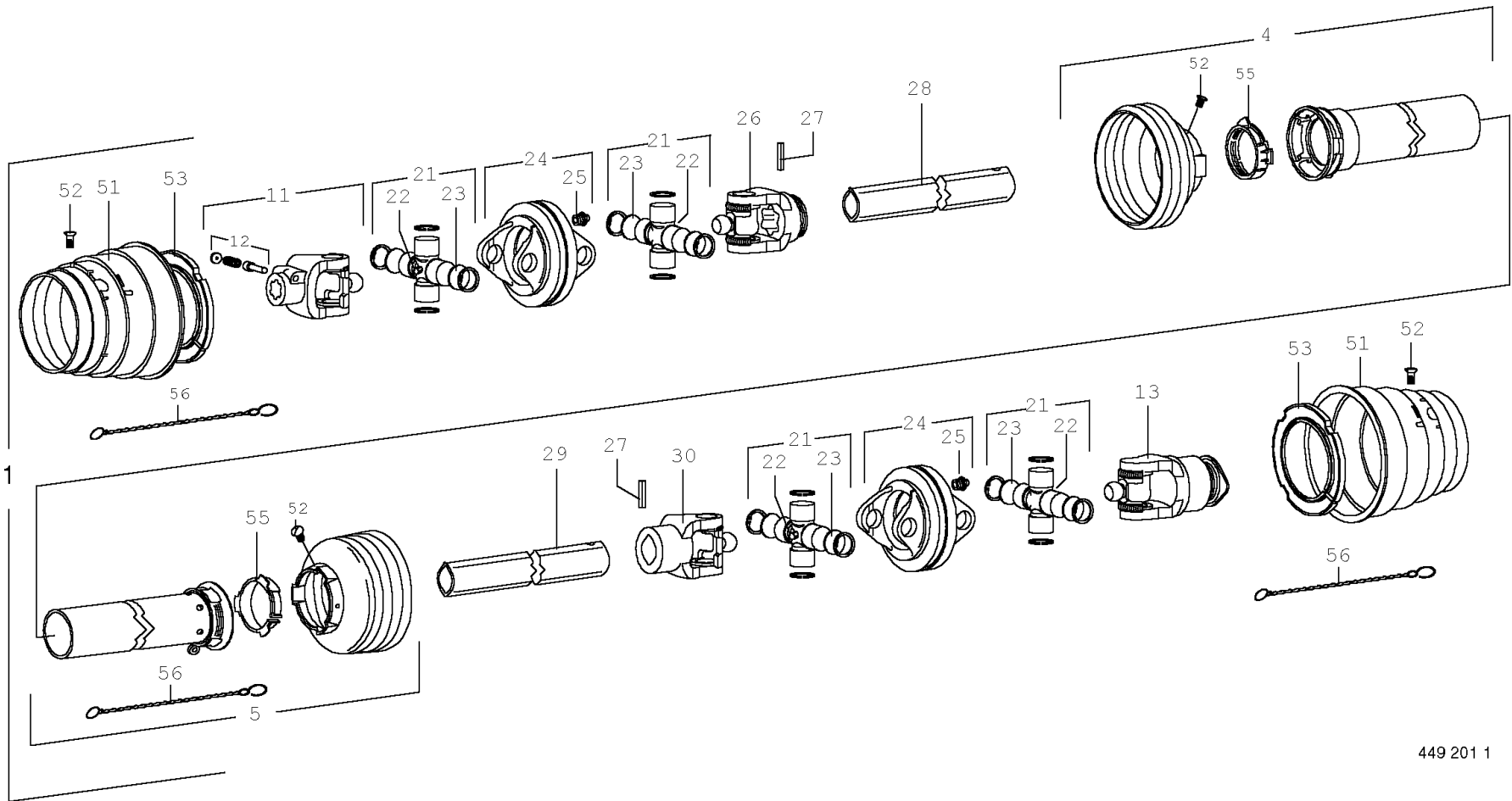


449 183 1

PTO Shaft

PTO Shaft

Item	Part Number	Description	Serial # Ranges	KS-1250	Notes
1	956.064.1	PTO Shaft Complete		X	W 2300-SC25Z-2410-K33B
4	955.347.0	Male Tube		X	
5	955.349.0	Male Tube		X	
10	955.355.0	PTO Guard		X	
11	949.463.0	Outer Yoke		X	
					1 3/8"
12	949.630.0	Locking Pin Complete		X	750 NM
13	955.350.0	Ratchet Clutch		X	
21	949.462.0	Cross Assembly		X	
22	949.629.0	Grease Fitting		X	
23	949.430.0	Grooved Yoke		X	
					M8 X 1
24	912.721.0	Roll Pin		X	10 X 75
25	949.358.0	Inner Tube		X	750mm Long
26	955.351.0	Yoke		X	M4 X 10
52	949.281.0	Bolt		X	
53	949.861.0	Bearing Ring		X	
55	949.338.0	Bearing Ring		X	
57	949.852.0	Chain		X	



449 201 1

PTO Shaft

PTO Shaft

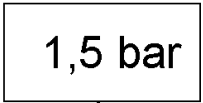
Item	Part Number	Description	Serial # Ranges	KS-1250	Notes
1	956.065.0	PTO Shaft Complete		X	WWW 2380-SD25
4	949.339.1	Female Tube		X	
5	949.340.0	Male Tube		X	
11	949.759.0	Outer Yoke		X	1 3/8" - 6 Spline
12	949.630.0	Locking Pin Complete		X	
13	955.352.0	Overrunning Clutch		X	1 3/8" - 6 Spline
21	949.774.0	Cross Assembly		X	
22	949.629.0	Grease Fitting		X	M8 X 1
23	955.279.0	Disc		X	Rd. 23.75 X 2
24	949.779.0	Double Yoke		X	
25	919.003.0	Grease Fitting		X	H1/S M8 X 1
26	949.798.0	Grooved Yoke		X	
27	912.721.0	Roll Pin		X	10 X 75
28	949.345.0	Profile Tube		X	1080mm Long
29	949.346.0	Outer Tube		X	1250mm Long
30	955.353.0	Grooved Yoke		X	
51	949.788.0	PTO Guard		X	
52	949.281.0	Bolt		X	M4 X 10
53	949.789.0	Bearing Ring		X	
55	949.861.0	Bearing Ring		X	
56	949.283.0	Chain		X	600mm Long



1



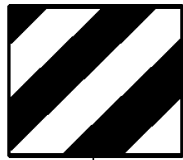
2



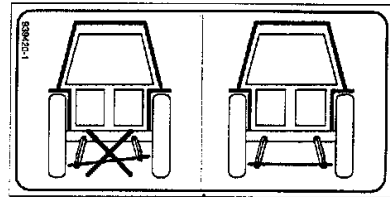
3



4



5



6



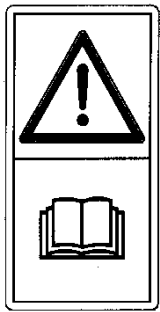
7

449 411 1

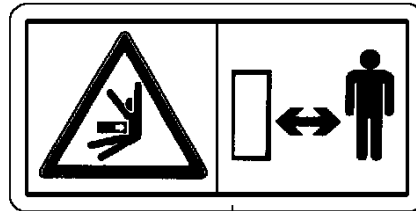
General Information Decals

General Information Decals

Item	Part Number	Description	Serial # Ranges	KS-1250	Notes
1	942.239.1	Decal		X	
2	939.306.1	Decal		X	
	939.109.1	Decal		X	
3	942.107.1	Decal		X	1.5 Bar
	939.183.1	Decal		X	1.0 Bar
4	939.212.1	Decal		X	
5	924.597.0	Decal L/H		X	
	924.598.0	Decal R/H		X	
6	939.420.1	Decal		X	
7	939.218.1	Decal		X	25
	939.145.1	Decal		X	40



1



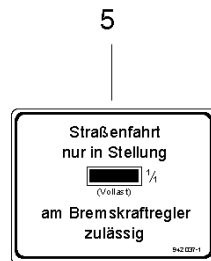
2



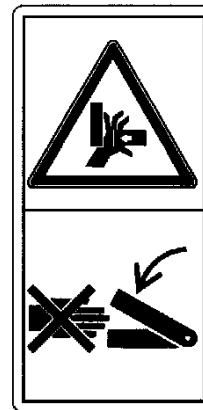
3



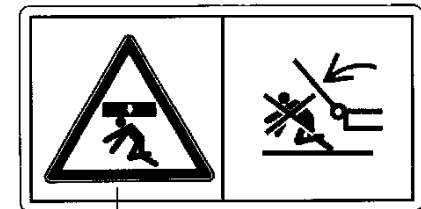
4



5



6



7

Warning Decals

Warning Decals

Item	Part Number	Description	Serial # Ranges	KS-1250	Notes
1	939.471.1	Decal		X	
2	939.472.2	Decal		X	
3	939.574.0	Decal		X	
4	939.100.0	Decal		X	
5	942.037.1	Decal		X	
6	942.196.1	Decal		X	
7	939.469.1	Decal		X	