

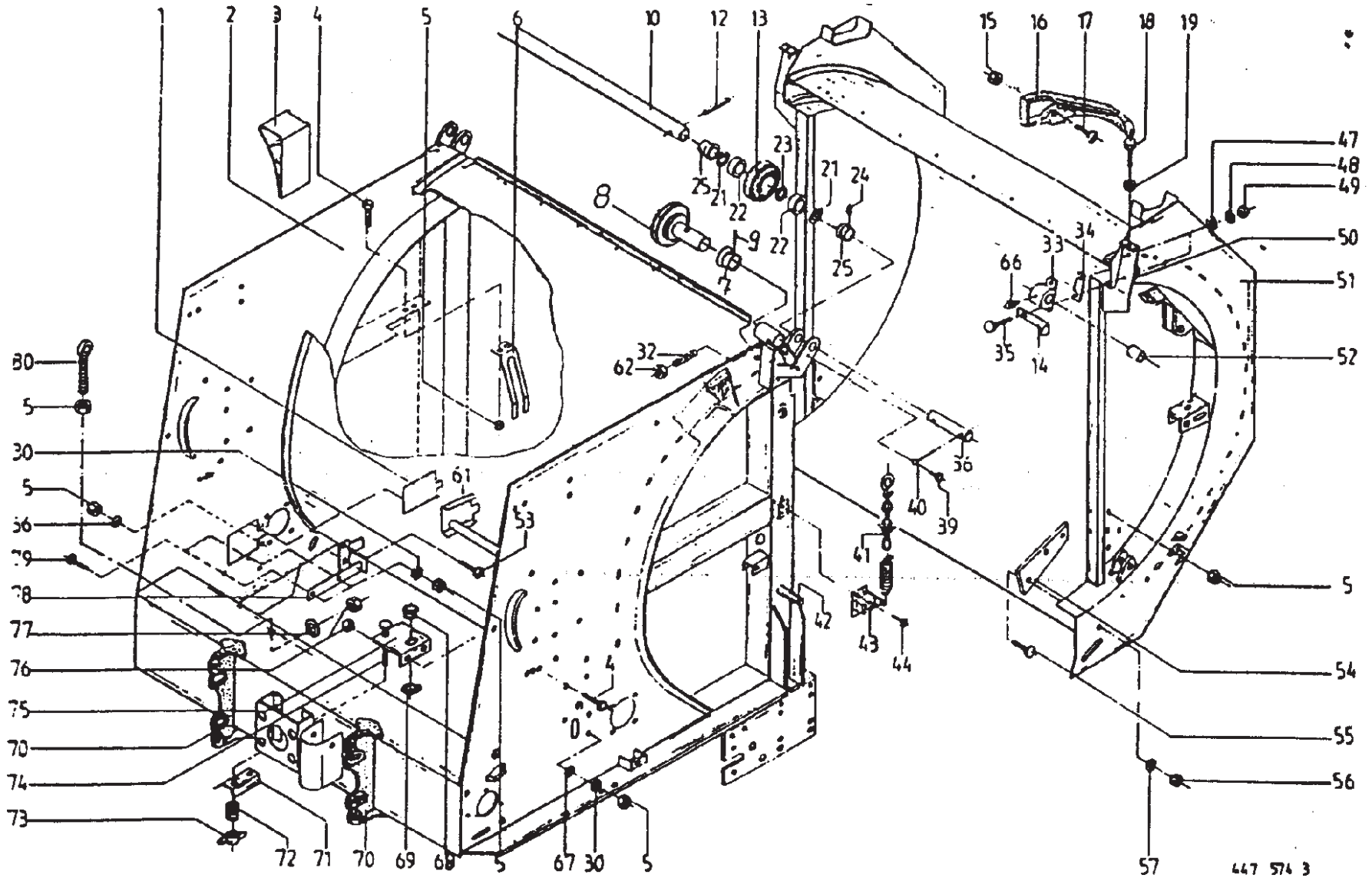
## Table Of Contents

Main Frame - Standard Pickup .....	4	Wide Pickup Feed Rake & Augers .....	58
Main Frame - Standard Pickup .....	6	Wide Pickup Feed Rake & Augers .....	60
Main Frame - Wide Pickup .....	8	Gauge Wheels - Pneumatic .....	62
Main Frame - Wide Pickup .....	10	Standard Pickup Drum .....	64
Drawbar & Twine Box .....	12	Wide Pickup Drum .....	66
Drawbar & Twine Box .....	14	Wide Pickup Baffle Plate & Compressing Rake .....	68
Axle & Tires .....	16	Wide Pickup Baffle Plate & Compressing Rake .....	70
Axle & Tires .....	18	Double Twine Tying Mechanism .....	72
Axle Beam & Bale Ramp - Standard Pickup .....	20	Double Twine Tying Mechanism .....	74
Axle Beam & Bale Ramp - Wide Pickup .....	22	Double Twine Tying Cutting Unit .....	76
Jack .....	24	Manual Twine Starter .....	78
Elevator Chain - Standard Pickup .....	26	Manual Twine Starter Mounting .....	80
Elevator Chain - Standard Pickup .....	28	Net Wrap Unit .....	82
Elevator Chain - Wide Pickup .....	30	Net Wrap Installation .....	86
Elevator Chain - Wide Pickup .....	32	Net Wrap Brake .....	88
Elevator Chain Tensioner .....	34	Net Wrap Tension Bars .....	92
Gearbox - Standard Pickup .....	36	Hydraulics - Standard Pickup - 3-Way Valve .....	94
Gearbox - Standard Pickup .....	38	Hydraulics - Standard Pickup - 3-Way Valve .....	96
Gearbox - Wide Pickup .....	40	Hydraulics - Standard Pickup - Diverter Valve .....	98
Gearbox - Wide Pickup .....	42	Hydraulics - Standard Pickup - Diverter Valve .....	100
Lower Roller - Standard Pickup .....	44	Hydraulics - Wide Pickup - 3-Way Valve .....	102
Lower Roller - Standard Pickup .....	46	Hydraulics - Wide Pickup - 3-Way Valve .....	104
Lower Roller - Wide Pickup .....	48	Hydraulics - Wide Pickup - Diverter Valve .....	106
Lower Roller - Wide Pickup .....	50	Hydraulics - Wide Pickup - Diverter Valve .....	108
Standard Pickup Mounting .....	52	Hydraulic Starter .....	110
Standard Pickup Mounting .....	54	Tailgate Lock & Filling Indicators .....	112
Wide Pickup Feed Rake & Augers .....	56	Tailgate Lock & Filling Indicators .....	114

## Table Of Contents

Front & Rear Guards - KR-130 - Standard Pickup .....	116	Baffle Plate .....	132
Front & Rear Guards - KR-130 - Standard Pickup .....	118	Lighting .....	134
Front & Rear Guards - KR-130 - Wide Pickup .....	120	Comfort Control Electronics .....	136
Front & Rear Guards - KR-130 - Wide Pickup .....	122	Comfort Control Hydraulics .....	138
Front & Rear Guards - KR-160 - Standard Pickup ....	124	Bale Monitor .....	140
Front & Rear Guards - KR-160 - Standard Pickup ....	126	PTO Shaft - Bondioli Standard .....	142
Front & Rear Guards - KR-160 - Wide Pickup .....	128	PTO Shaft - Bondioli CV .....	144
Front & Rear Guards - KR-160 - Wide Pickup .....	130	PTO Shaft - Bondioli 80° CV .....	146

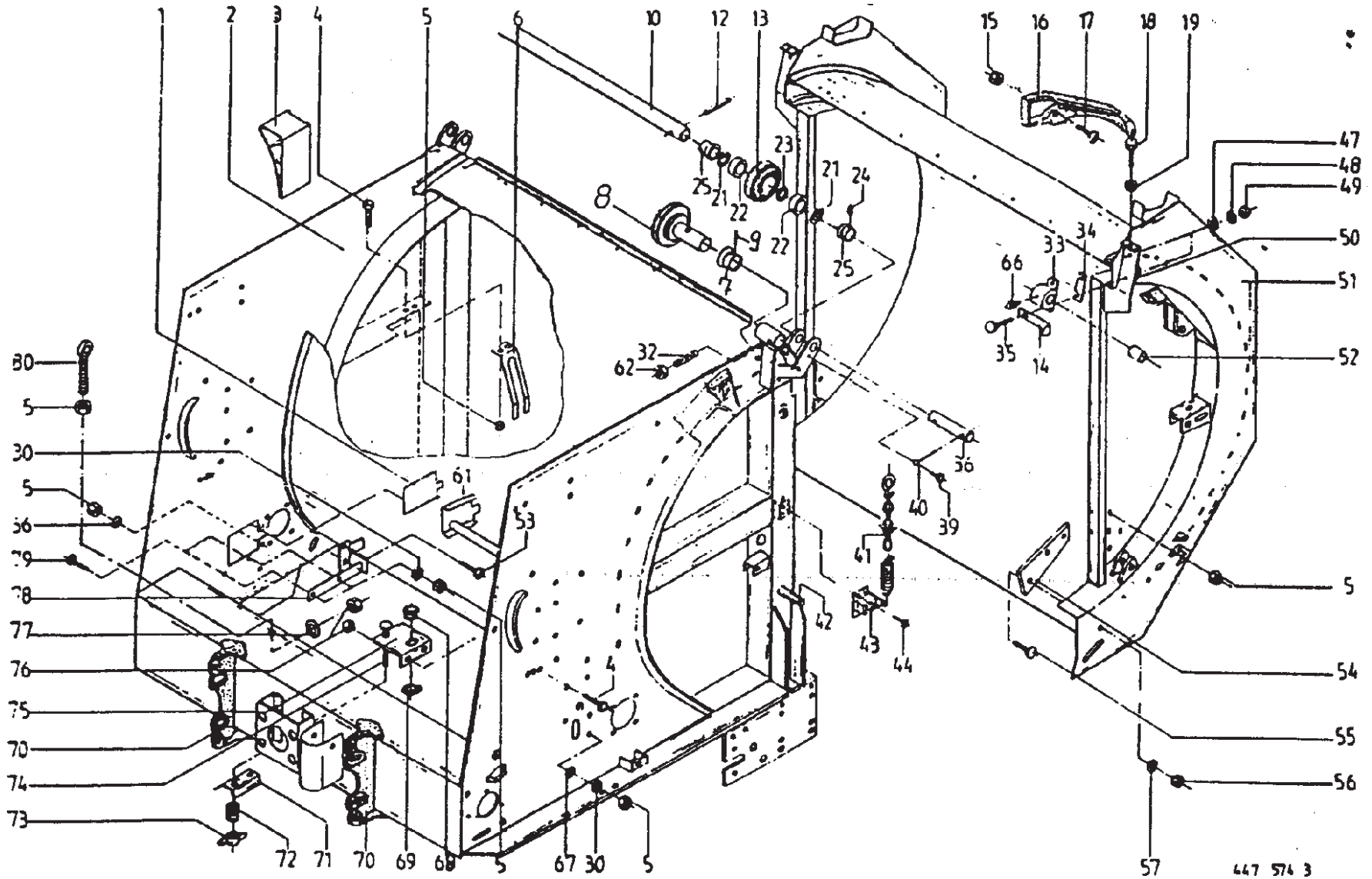




Main Frame - Standard Pickup

## Main Frame - Standard Pickup

Item	Part Number	Description	Serial # Ranges	KR-130B	KR-130D WP	KR-160B	KR-160D WP	Notes
1	275.412.1	Cover Plate		X		X		SKM 12
2	280.794.0	Front Frame		X				
	280.796.0	Front Frame				X		
3	925.014.0	Wheel Chock		X		X		
4	900.612.0	Hex Head Bolt		X		X		M8 X 16
5	908.210.0	Hex Nut		X		X		M8
6	280.430.0	Wheel Chock Holder		X		X		
7	273.573.0	Locking Ring		X		X		
8	275.740.2	Guide Wheel		X		X		
9	912.645.0	Roll Pin		X		X		
								Includes Item 9
10	275.659.1	Spacer Tube		X		X		10 X 40
12	912.714.0	Roll Pin		X		X		
13	274.953.1	Guide Wheel		X		X		
14	274.337.3	Angle for Bale Counter		X		X		
15	908.704.1	Hex Nut		X		X		
								NM6
16	274.817.0	Chain Guide		X		X		M6 X 25 M12 X 35 M12 1 55 X 2.0
17	904.712.1	Flat Round Bolt		X		X		
18	900.657.0	Hex Head Bolt		X		X		
19	908.515.0	Hex Nut		X		X		
21	911.653.0	Circlip		X		X		
22	930.506.0	Bearing		X		X		6006 2RS
23	910.894.0	Shim		X		X		45 X 55 X .3
24	905.745.0	Set Screw		X		X		M8 X 16
25	275.739.2	Lock Collar		X		X		30 X 109
26	275.745.0	Idler Roller Shaft		X		X		
32	905.755.0	Set Screw		X		X		M10 X 16
33	219.034.3	Bushing Housing		X		X		Includes Item 52
34	280.497.0	Shim		X		X		
35	900.658.0	Hex Head Bolt		X		X		M12 X 40
36	275.658.1	Pin		X		X		30 X 245
39	900.617.0	Hex Head Bolt		X		X		M8 X 30
40	912.145.1	Cotter Pin		X		X		10 X 50
41	274.339.2	Chain		X				
	275.346.1	Chain				X		
42	924.250.1	Holding Cam		X		X		
43	274.340.0	Bale Counter		X		X		B2.9 X 9.5 M8 X 20
44	906.800.1	Self-Tapping Screw		X		X		
45	905.231.0	Flat Round Bolt		X		X		

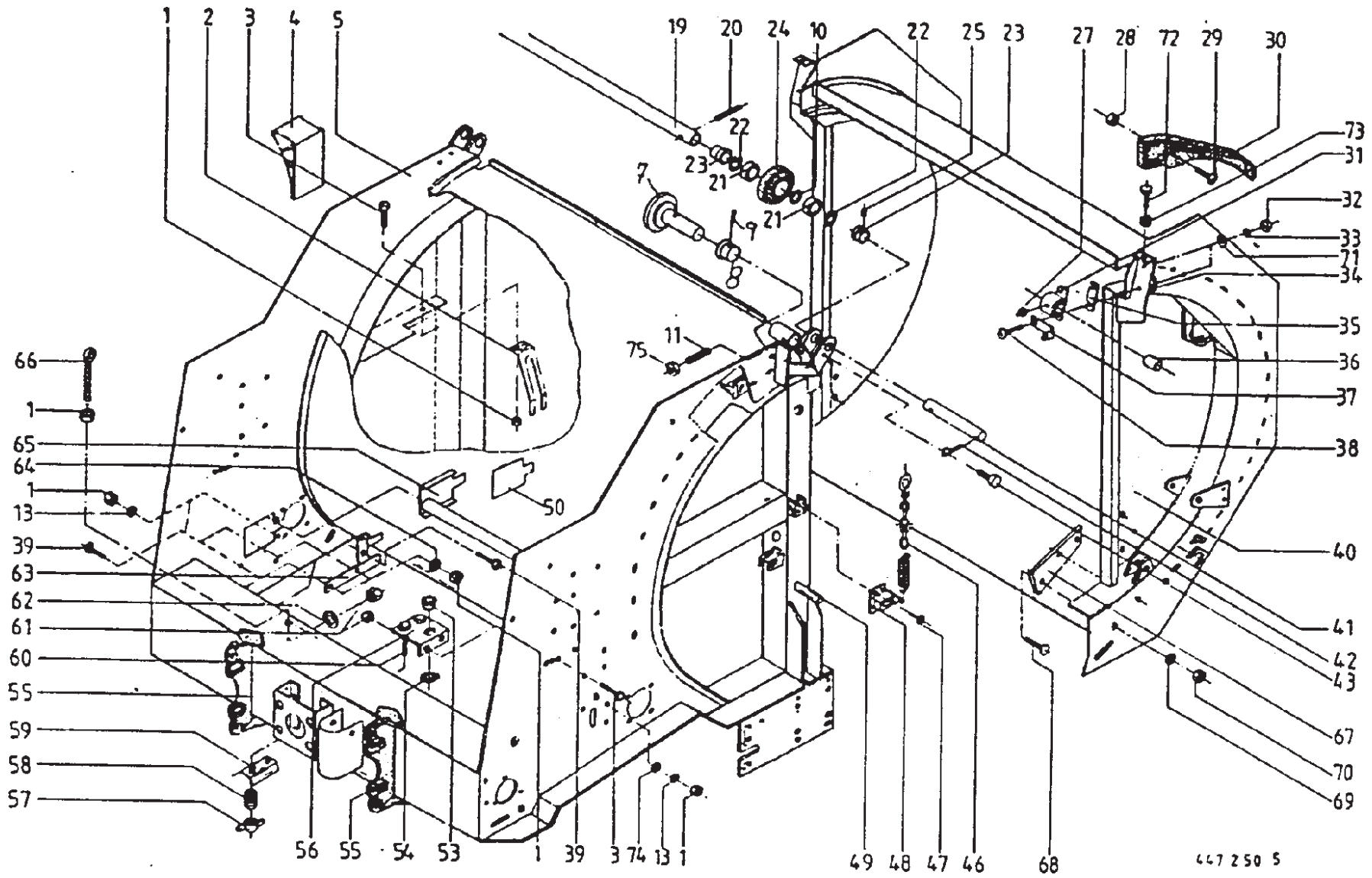


Main Frame - Standard Pickup

447 576 3

## Main Frame - Standard Pickup

Item	Part Number	Description	Serial # Ranges	KR-130B	KR-130D WP	KR-160B	KR-160D WP	Notes
47	910.609.0	Washer		X		X		13 X 37 X 3
48	910.035.0	Spring Washer		X		X		B 12
49	908.215.0	Hex Nut		X		X		M12
50	910.619.1	Washer		X		X		13.0 X 35 X 8
51	280.795.0	Rear Housing		X				
	280.797.0	Rear Housing				X		
52	441.190.0	Bushing		X		X		
54	280.750.0	Fitting Plate		X		X		Includes Items 55-57
55	904.044.0	Countersunk Screw		X		X		M10 X 20
56	908.212.0	Hex Nut		X		X		M10
57	910.111.1	Spring Washer		X		X		B 10
61	274.940.0	Twine Guide	335142 & Prior	X		X		
	273.470.0	Twine Guide	335143 & Later	X		X		
62	908.212.0	Hex Nut		X		X		M10
66	919.003.0	Grease Fitting		X		X		H1/S M8 X 1
67	910.603.0	Washer		X		X		8.4 X 24 X 2
68	938.974.2	Twine Guide		X		X		
69	911.522.0	Circlip		X		X		A 20 X 1.2
70	280.548.2	Tongue Mount		X		X		
71	280.222.4	Twine Brake Plate		X		X		
72	274.949.0	Pressure Spring		X		X		
73	909.410.1	Wing Nut		X		X		M8
74	904.818.0	Flat Round Bolt		X		X		M8 X 55
75	274.344.5	Twine Brake Support		X		X		
76	908.706.0	Hex Nut		X		X		NM 8
77	910.413.0	Washer		X		X		8.4 X 17 X 1.6
78	274.643.0	Reinforcement Brace	335142 & Prior	X		X		
	273.389.0	Reinforcement Brace	335143 & Later	X		X		
79	905.231.0	Flat Round Bolt		X		X		M8 X 20
80	280.400.1	Eye Bolt		X		X		M8 X 45/30



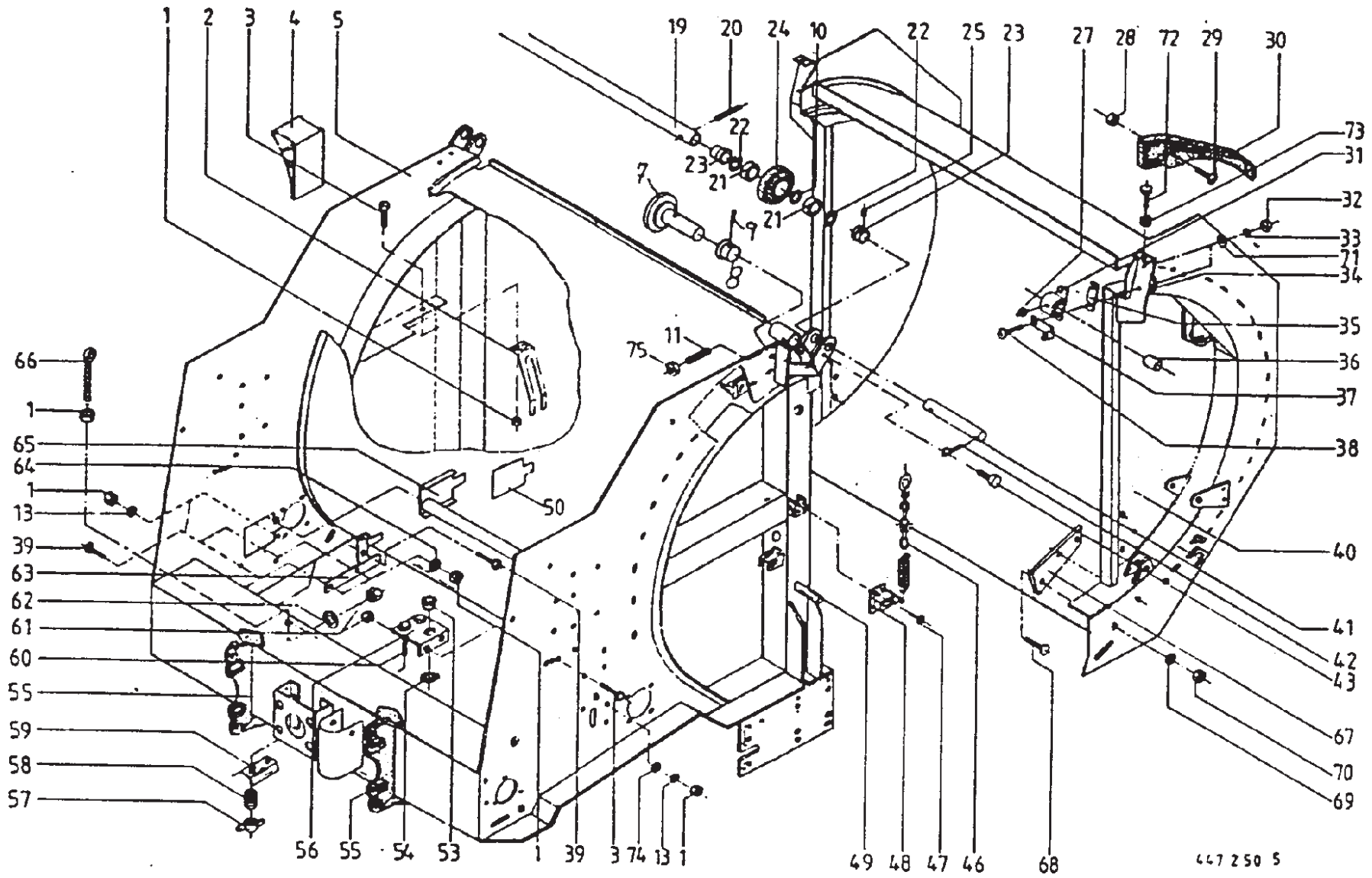
447 250 5

**Main Frame - Wide Pickup**



## Main Frame - Wide Pickup

Item	Part Number	Description	Serial # Ranges	KR-130B	KR-130D WP	KR-160B	KR-160D WP	Notes
1	908.210.0	Hex Nut			X		X	M8
2	280.430.0	Wheel Chock Holder			X		X	
3	900.612.0	Hex Head Bolt			X		X	M8 X 16
4	925.014.0	Wheel Chock			X		X	
5	274.800.1	Front Housing			X			
7	275.677.1	Front Housing					X	
8	275.740.2	Guide Wheel			X		X	Includes Items 8 & 9
8	273.573.0	Locking Ring			X		X	
9	912.645.0	Roll Pin			X		X	6 X 45
10	910.894.0	Shim			X		X	45 X 55 X .3
	910.898.0	Shim			X		X	45 X 55 X .5
11	905.755.0	Set Screw			X		X	M10 X 16
19	275.659.1	Spacer Tube			X		X	
20	912.714.0	Roll Pin			X		X	10 X 40
21	930.506.0	Bearing			X		X	6006 2RS
22	911.653.0	Circlip			X		X	55 X 2.0
23	275.739.2	Lock Collar			X		X	
24	274.953.1	Guide Wheel			X		X	
25	905.745.0	Set Screw			X		X	M8 X 16
27	919.003.0	Grease Fitting			X		X	H1/S M8 X 1
28	908.704.1	Hex Nut			X		X	NM 6
29	904.703.0	Flat Round Bolt			X		X	M6 X 25
30	274.817.0	Chain Guide			X		X	
31	219.034.3	Bushing Housing			X		X	Includes Item 36
32	908.215.0	Hex Nut			X		X	M12
33	908.212.0	Hex Nut			X		X	M10
34	910.619.1	Washer			X		X	13.0 X 35 X 8
35	280.497.0	Shim			X		X	
36	441.190.0	Bushing			X		X	
37	274.337.3	Angle for Bale Counter			X		X	
38	900.658.0	Hex Head Bolt			X		X	M12 X 40
39	905.231.0	Flat Round Bolt			X		X	M8 X 20
40	274.863.1	Rear Housing			X			
	275.678.1	Rear Housing					X	
41	275.658.1	Pin			X		X	
42	912.145.1	Cotter Pin			X		X	10 X 50
43	900.617.0	Hex Head Bolt			X		X	M8 X 30
46	922.607.0	Chain			X			

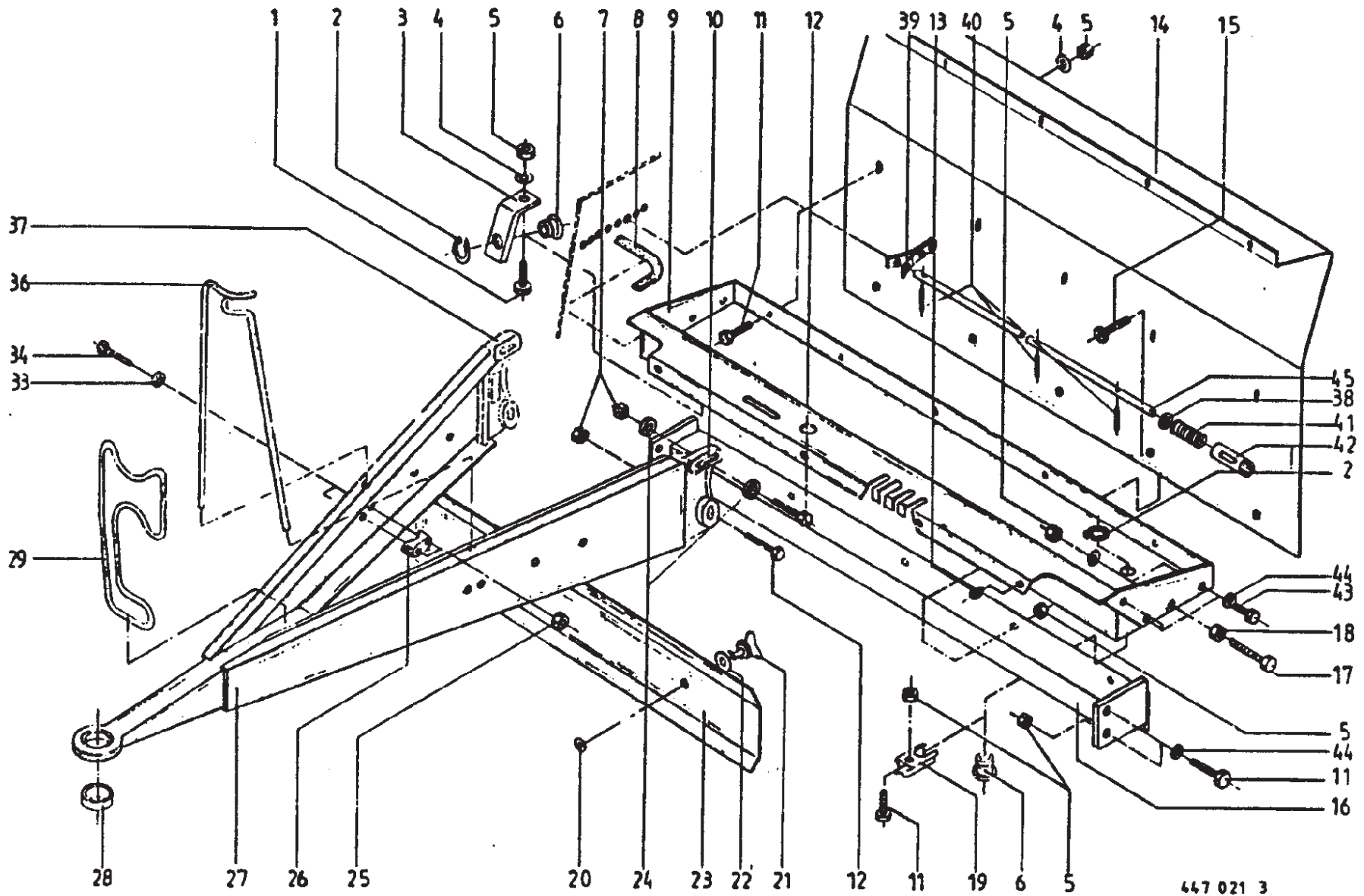


447 250 5

**Main Frame - Wide Pickup**

## Main Frame - Wide Pickup

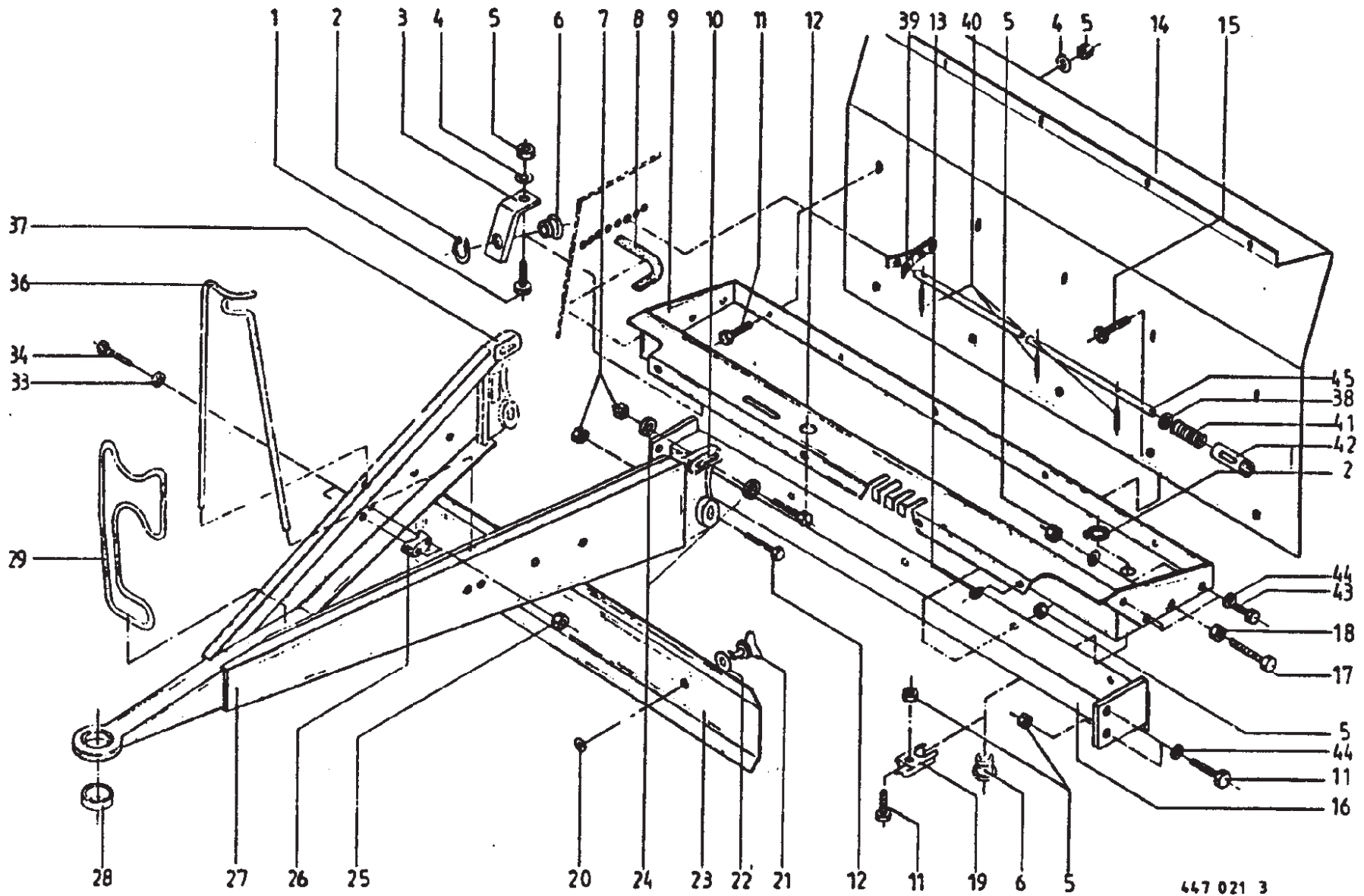
Item	Part Number	Description	Serial # Ranges	KR-130B	KR-130D WP	KR-160B	KR-160D WP	Notes
46	275.346.1	Chain					X	B 2.9 X 9.5
47	906.800.1	Self-Tapping Screw				X	X	
48	274.340.0	Bale Counter				X	X	
49	924.250.1	Holding Cam				X	X	
50	275.412.1	Cover Plate				X	X	
53	938.974.2	Twine Guide				X	X	20 X 1.2
54	911.522.0	Circlip				X	X	
55	280.548.2	Tongue Mount				X	X	M8
56	274.344.5	Twine Brake Support				X	X	
57	909.410.1	Wing Nut				X	X	
58	274.949.0	Pressure Spring				X	X	M8 X 55 NM8 A 8.4
59	280.222.4	Twine Brake Plate				X	X	
60	904.818.0	Flat Round Bolt				X	X	
61	908.706.0	Hex Nut				X	X	
62	910.413.0	Washer				X	X	
63	274.643.0	Reinforcement Brace	335142 & Prior			X	X	6.5 X 35 X 2.5
	273.389.0	Reinforcement Brace	335143 & Later			X	X	
64	910.602.0	Washer				X	X	
65	274.940.0	Twine Guide	335142 & Prior			X	X	
	273.470.0	Twine Guide	335143 & Later			X	X	
66	280.400.1	Eye Bolt				X	X	M8 X 45/30
67	280.750.0	Fitting Plate				X	X	Includes Items 68-70
68	904.044.0	Countersunk Screw				X	X	M10 X 20
69	910.111.1	Spring Washer				X	X	B 10
70	908.212.0	Hex Nut				X	X	M10
71	910.609.0	Washer				X	X	13 X 40 X 3
72	900.657.0	Hex Head Bolt				X	X	M12 X 35
73	908.515.0	Hex Nut				X	X	M12
74	910.603.0	Washer				X	X	8.4 X 24 X 2
75	908.212.0	Hex Nut				X	X	M10



**Drawbar & Twine Box**

## Drawbar & Twine Box

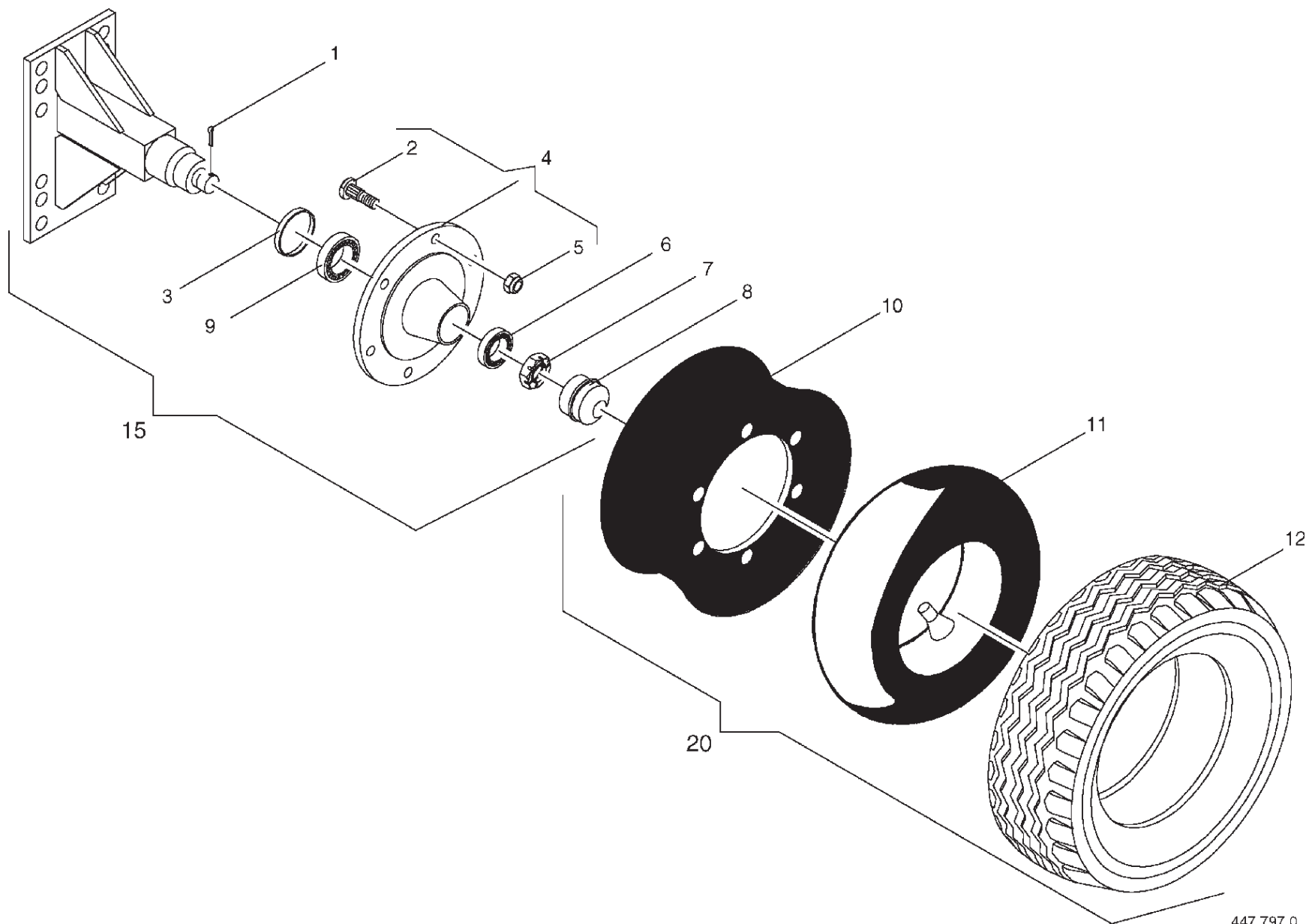
Item	Part Number	Description	Serial # Ranges	KR-130B	KR-130D WP	KR-160B	KR-160D WP	Notes
1	905.230.0	Flat Round Bolt		X	X	X	X	M8 X 16
2	911.522.0	Circlip		X	X	X	X	20 X 1.2
3	274.648.0	Twine Guide Bracket		X	X	X	X	
4	910.603.0	Washer		X	X	X	X	A 8.4
5	908.706.0	Hex Nut		X	X	X	X	NM 8
6	924.919.2	Twine Guide		X	X	X	X	
7	908.716.1	Hex Nut		X	X	X	X	NM 16
8	925.111.0	Edge Protection		X	X	X	X	160mm Long
9	280.766.0	Twine Box Bottom		X	X	X	X	
10	280.550.2	Drawbar Bracket Left		X	X	X	X	
11	900.612.0	Hex Head Bolt		X	X	X	X	M8 X 16
12	901.484.0	Hex Head Bolt		X	X	X	X	M16 X 70
13	924.262.0	Rubber Grommet		X	X	X	X	
14	280.763.0	Twine Box Guard		X	X	X	X	
15	905.230.0	Flat Round Bolt		X	X	X	X	M8 X 16
16	280.771.0	Cross Beam		X	X	X	X	
17	900.617.0	Hex Head Bolt		X	X	X	X	M8 X 30
18	908.210.0	Hex Nut		X	X	X	X	M8
19	274.459.0	Twine Retainer		X	X	X	X	
20	924.251.0	Retaining Washer		X	X	X	X	
21	924.249.0	Knob		X	X	X	X	
22	910.643.0	Washer		X	X	X	X	R 14
23	275.452.2	Guard for Cross Carrier		X	X	X	X	For Single Twine Tie
	275.636.1	Guard for Cross Carrier		X	X	X	X	For Double Twine Tie
24	910.362.0	Washer		X	X	X	X	17
25	908.008.0	Hex Nut		X	X	X	X	M6
26	917.623.0	Clamping Jaw		X	X	X	X	
27	280.552.2	Drawbar		X	X	X	X	Dia.=40mm
	280.594.1	Drawbar		X	X	X	X	Dia.=50mm
	275.407.1	Drawbar		X	X	X	X	USA
	275.600.1	Drawbar		X	X	X	X	Dia.=35mm - Italy
28	928.200.0	Bushing		X	X	X	X	EG 40/50 X 30
29	280.584.0	PTO Shaft Holder		X	X	X	X	
33	910.411.1	Washer		X	X	X	X	A 6.4
34	901.028.0	Hex Head Bolt		X	X	X	X	M6 X 30
36	346.376.1	Hose Holder		X	X	X	X	
37	280.549.2	Drawbar Bracket Right		X	X	X	X	
38	910.506.0	Washer		X	X	X	X	14 X 24 X 2.5



**Drawbar & Twine Box**

## Drawbar & Twine Box

Item	Part Number	Description	Serial # Ranges	KR-130B	KR-130D WP	KR-160B	KR-160D WP	Notes
39	276.438.0	Twine Ball Holder		X	X	X	X	4 X 16  M8 X 20
40	912.509.0	Roll Pin		X	X	X	X	
41	015.145.0	Pressure Spring		X	X	X	X	
42	276.437.0	Spacer Tube		X	X	X	X	
43	900.614.0	Hex Head Bolt		X	X	X	X	
44	910.413.0	Washer		X	X	X	X	8.4 X 17 X 1.6
45	276.436.0	Rod		X	X	X	X	



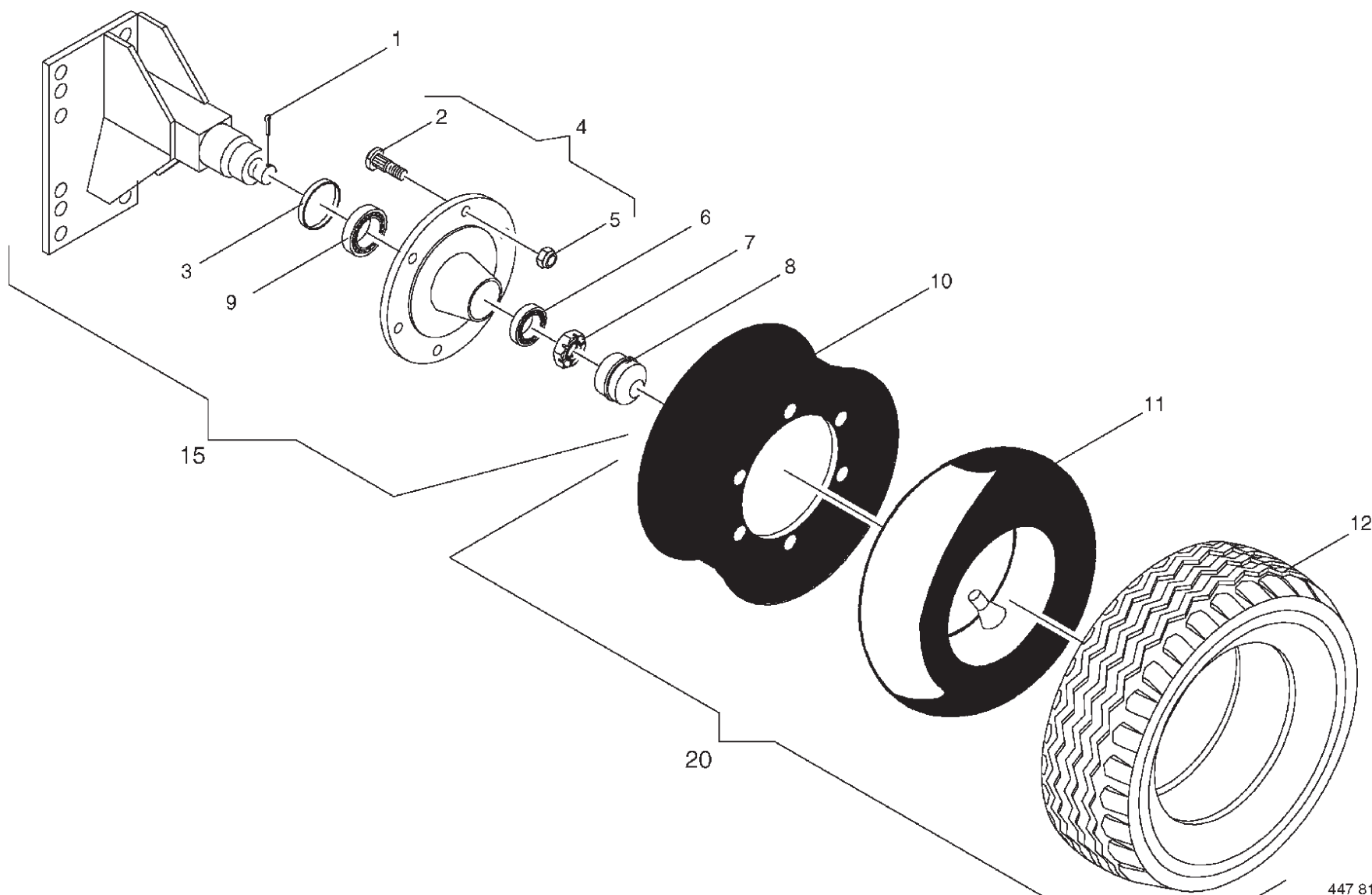
447 797 0

# Axle & Tires



## Axle & Tires

Item	Part Number	Description	Serial # Ranges	KR-130B	KR-130D WP	KR-160B	KR-160D WP	Notes
1	912.091.1	Cotter Pin		X	X	X	X	5 X 50 M18 X 1.5 X 46
2	910.256.0	Stud		X	X	X	X	
3	952.320.0	Push Ring		X	X	X	X	
4	952.330.0 952.254.0	Seal Hub Assembly		X	X	X	X	
5	910.225.0	Lug Nut		X	X	X	X	A 18 X 1.5
6	932.212.0	Tapered Roller Bearing		X	X	X	X	L 44610/49
7	908.827.0	Castle Nut		X	X	X	X	M24 X 1.5
8	952.310.1	Wheel Cap		X	X	X	X	Rd. 50.5
9	932.222.0	Tapered Roller Bearing		X	X	X	X	LM 501310/49
10	953.108.0	Rim		X	X	X	X	9.00 X 15.3 6 Hole
	953.112.1	Rim		X	X	X	X	13.00 X 17 6 Hole
	953.118.0	Rim		X	X	X	X	9.00 X 15.3 6 Hole
11	953.308.1	Inner Tube		X	X	X	X	10.0/75-15 / 11.5/80-15
	953.324.2	Inner Tube		X	X	X	X	15.0/55-17
12	953.210.0	Tire		X	X	X	X	10.0/75-15.3 Impl 8 Ply
	953.215.0	Tire		X	X	X	X	11.5/80-15.3 Impl 8 Ply
	953.230.0	Tire		X	X	X	X	15.0/55-17 Impl 10 Ply
	953.216.0	Tire		X	X	X	X	11.5/80-15.3 Impl 10 Ply
15	274.551.3	Axle w/Hub Complete		X	X	X	X	Excludes Item 20
20	953.010.0	Wheel Complete		X	X	X	X	10.0/75-15.3 Impl 8 PR - Items 10-12
	953.015.0	Wheel Complete		X	X	X	X	11.5/80-15.3 Impl 8 PR - Items 10-12
	953.030.0	Wheel Complete		X	X	X	X	15.0/55-17 Impl 10 PR - Items 10-12
	953.016.0	Wheel Complete		X	X	X	X	11.5/80-15.3 Impl 10 PR - Items 10-12

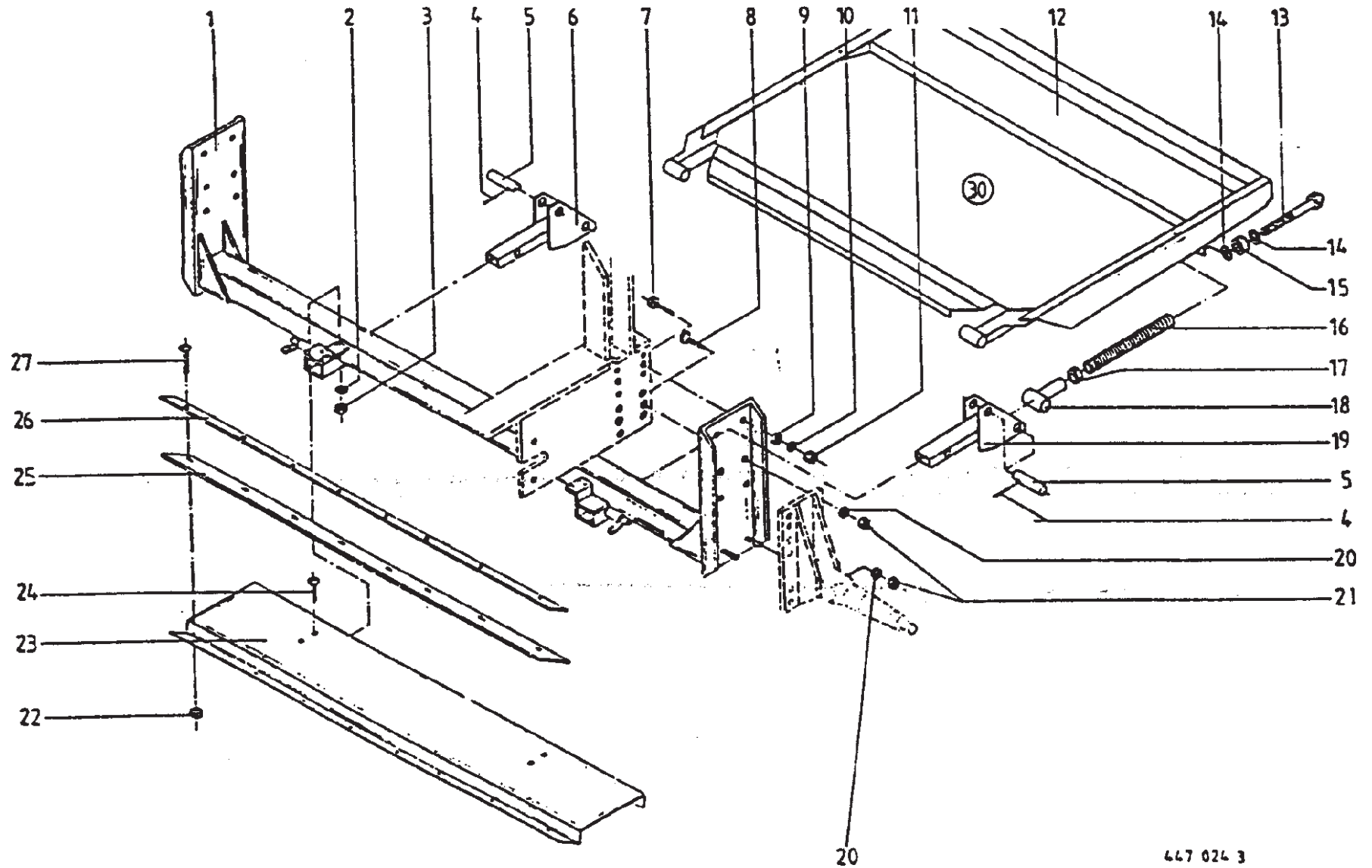


447 818 1

# Axle & Tires

## Axle & Tires

Item	Part Number	Description	Serial # Ranges	KR-130B	KR-130D WP	KR-160B	KR-160D WP	Notes
1	912.091.1	Cotter Pin		X	X	X	X	5 X 50
2	951.802.0	Stud		X	X	X	X	M18 X 1.5 X 49
3	951.805.0	Gasket Ring		X	X	X	X	
4	951.873.0	Hub Complete		X	X	X	X	
5	910.225.0	Lug Nut		X	X	X	X	A 18 X 1.5
6	932.106.0	Tapered Roller Bearing		X	X	X	X	30207A
7	908.931.0	Castle Nut		X	X	X	X	M27 X 1.5
8	952.311.0	Wheel Cap		X	X	X	X	Rd. 72.1
9	932.109.0	Tapered Roller Bearing		X	X	X	X	30210A
10	953.125.0	Rim		X	X	X	X	16.00 X 17 6 Hole
11	953.331.0	Inner Tube		X	X	X	X	500/50-17 TR 15
12	953.243.0	Tire		X	X	X	X	500/50-17
13	275.969.0	Axle w/Hub Complete - Left		X	X	X	X	Excludes Item 20
	275.970.0	Axle w/Hub Complete - Right		X	X	X	X	Excludes Item 20
20	953.060.0	Wheel Complete		X	X	X	X	500/50-17 10 PR - Includes Items 10-12

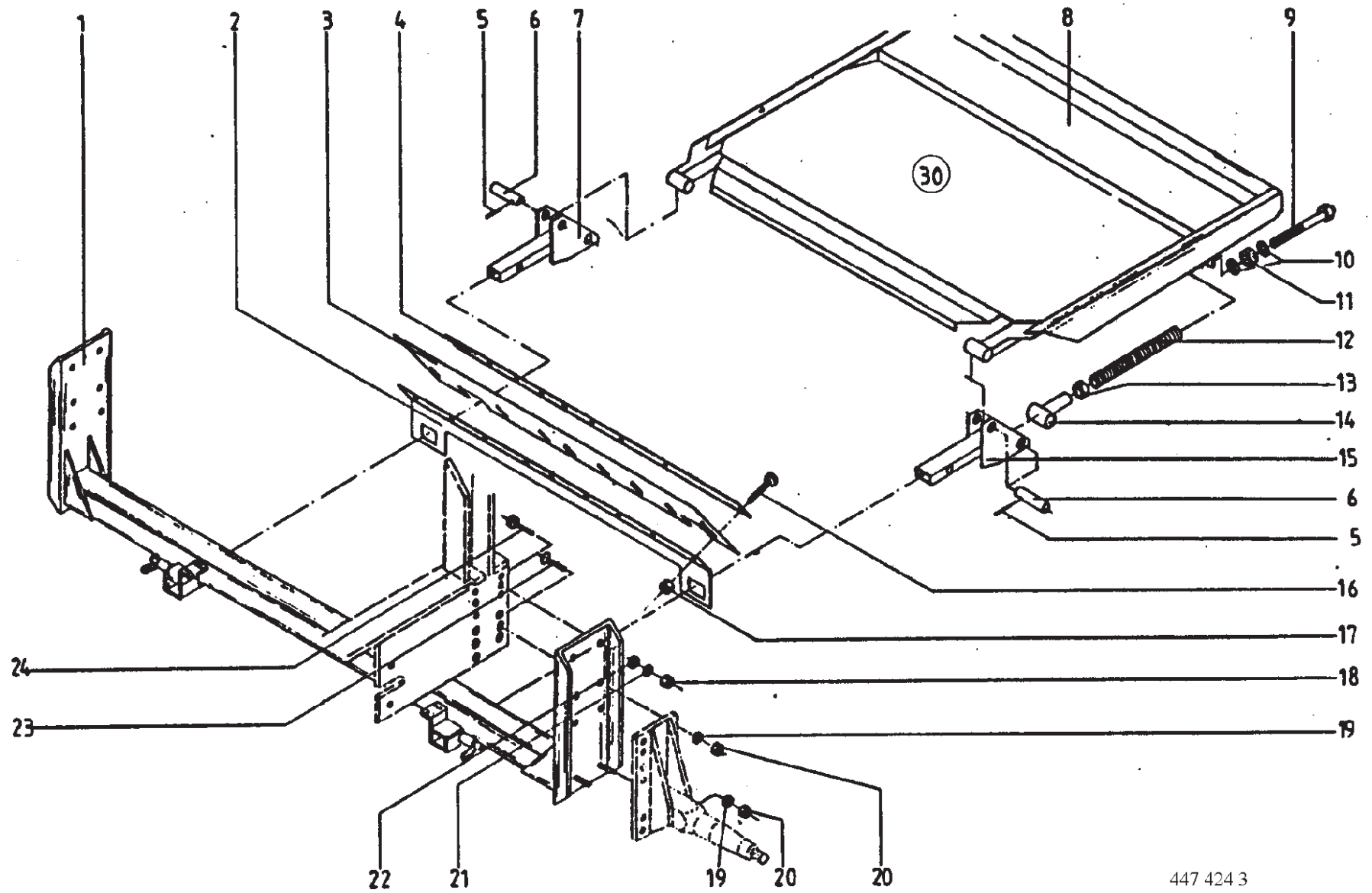


**Axle Beam & Bale Ramp - Standard Pickup**

447 024 3

## Axle Beam & Bale Ramp - Standard Pickup

Item	Part Number	Description	Serial # Ranges	KR-130B	KR-130D WP	KR-160B	KR-160D WP	Notes
1	274.550.3	Axle Cross Beam		X				
	275.655.2	Axle Cross Beam				X		
2	910.033.0	Spring Washer		X		X		B 8
3	908.210.0	Hex Nut		X		X		M8
4	912.613.0	Roll Pin		X		X		5 X 30
5	274.983.1	Pin		X		X		
6	274.962.1	Holder Right		X		X		
7	901.452.0	Hex Head Bolt		X		X		M12 X 50
8	901.504.0	Hex Head Bolt		X		X		M20 X 65
9	910.640.1	Washer		X		X		A 14
10	910.035.0	Spring Washer		X		X		B 12
11	908.215.0	Hex Nut		X		X		M12
12	274.984.1	Bale Ramp		X		X		
13	274.968.0	Threaded Rod		X		X		
14	910.356.0	Washer		X		X		R 18
15	274.976.0	Rubber Pad		X		X		
16	274.985.0	Pressure Spring		X		X		
17	908.540.0	Hex Nut		X		X		M30
18	274.965.0	Tensioner		X		X		
19	274.961.1	Holder Left		X		X		
20	910.016.0	Spring Washer		X		X		B 20
21	908.225.0	Hex Nut		X		X		M20
22	908.208.0	Hex Nut		X		X		M6
23	274.556.2	Cover Plate		X		X		
24	905.230.0	Flat Round Bolt		X		X		M8 X 16
25	274.542.0	Rubber Strip		X		X		
26	274.543.1	Securing Strip		X		X		
27	905.111.2	Flat Round Bolt		X		X		M6 X 20
30	274.560.4	Bale Ramp Complete		X		X		Includes Items 4-6 & 12-19

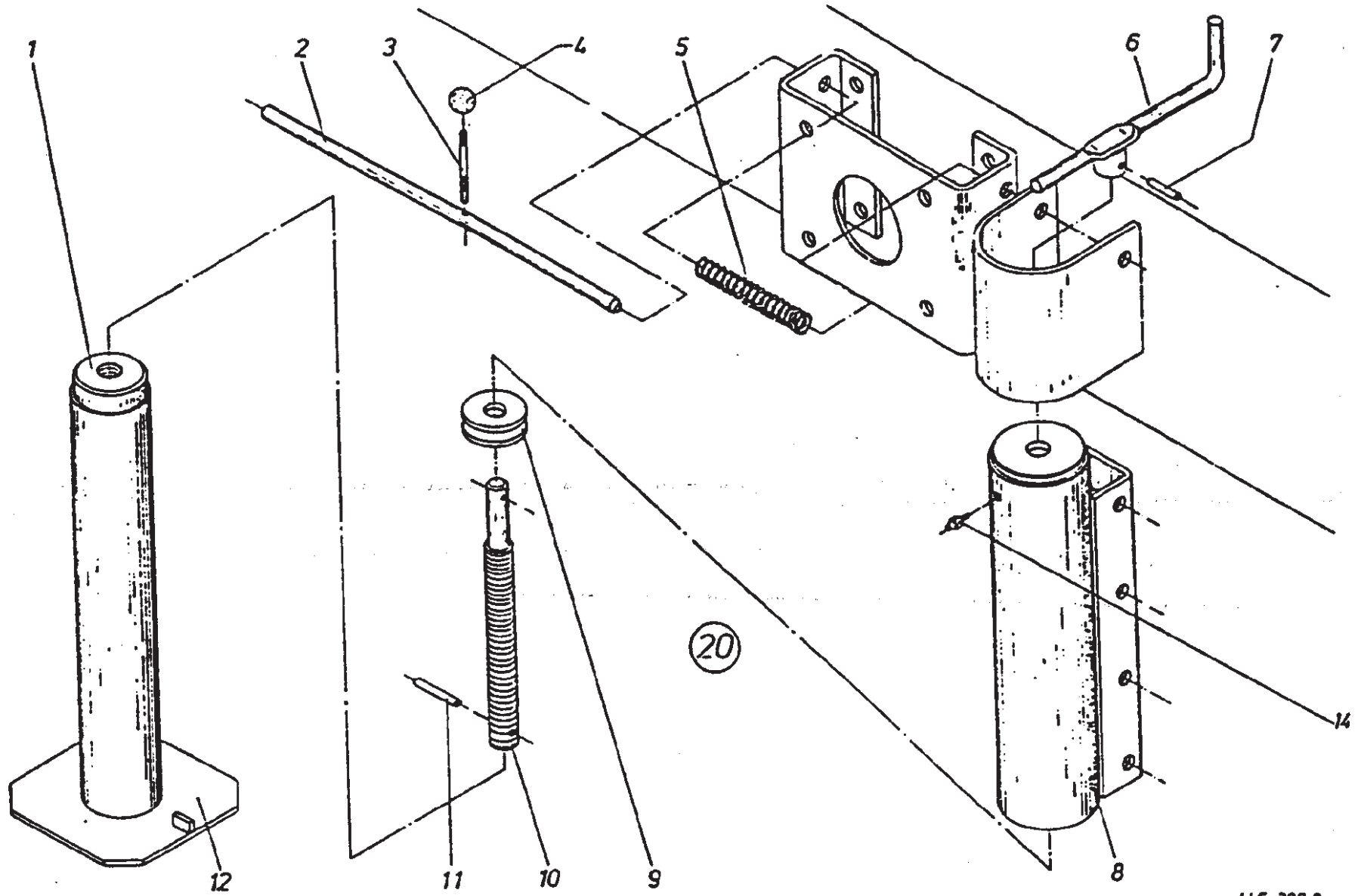


447 424 3

**Axle Beam & Bale Ramp - Wide Pickup**

## Axle Beam & Bale Ramp - Wide Pickup

Item	Part Number	Description	Serial # Ranges	KR-130B	KR-130D WP	KR-160B	KR-160D WP	Notes
1	274.550.3	Axle Cross Beam			X			
	275.655.2	Axle Cross Beam					X	
2	274.959.0	Strip			X		X	
3	274.956.0	Rubber Strip			X		X	
4	274.543.1	Securing Strip			X		X	
5	912.613.0	Roll Pin			X		X	5 X 30
6	274.983.1	Pin			X		X	
7	274.962.1	Holder Right			X		X	
8	274.984.1	Bale Ramp			X		X	
9	274.968.0	Threaded Rod			X		X	
10	910.362.0	Washer			X		X	17
11	274.976.0	Rubber Pad			X		X	
12	274.985.0	Pressure Spring			X		X	
13	908.540.0	Hex Nut			X		X	M30
14	274.965.0	Tensioner			X		X	
15	274.961.1	Holder Left			X		X	
16	900.608.0	Hex Head Bolt			X		X	M6 X 20
17	908.704.1	Hex Nut			X		X	NM6
18	908.215.0	Hex Nut			X		X	M12
19	910.016.0	Spring Washer			X		X	B 20
20	908.225.0	Hex Nut			X		X	M20
21	910.035.0	Spring Washer			X		X	B 12
22	910.640.1	Washer			X		X	A 14
23	905.314.0	Flat Round Bolt			X		X	M20 X 65
24	901.452.0	Hex Head Bolt			X		X	M12 X 50
30	274.560.4	Bale Ramp Complete			X		X	Includes Items 5-15



20

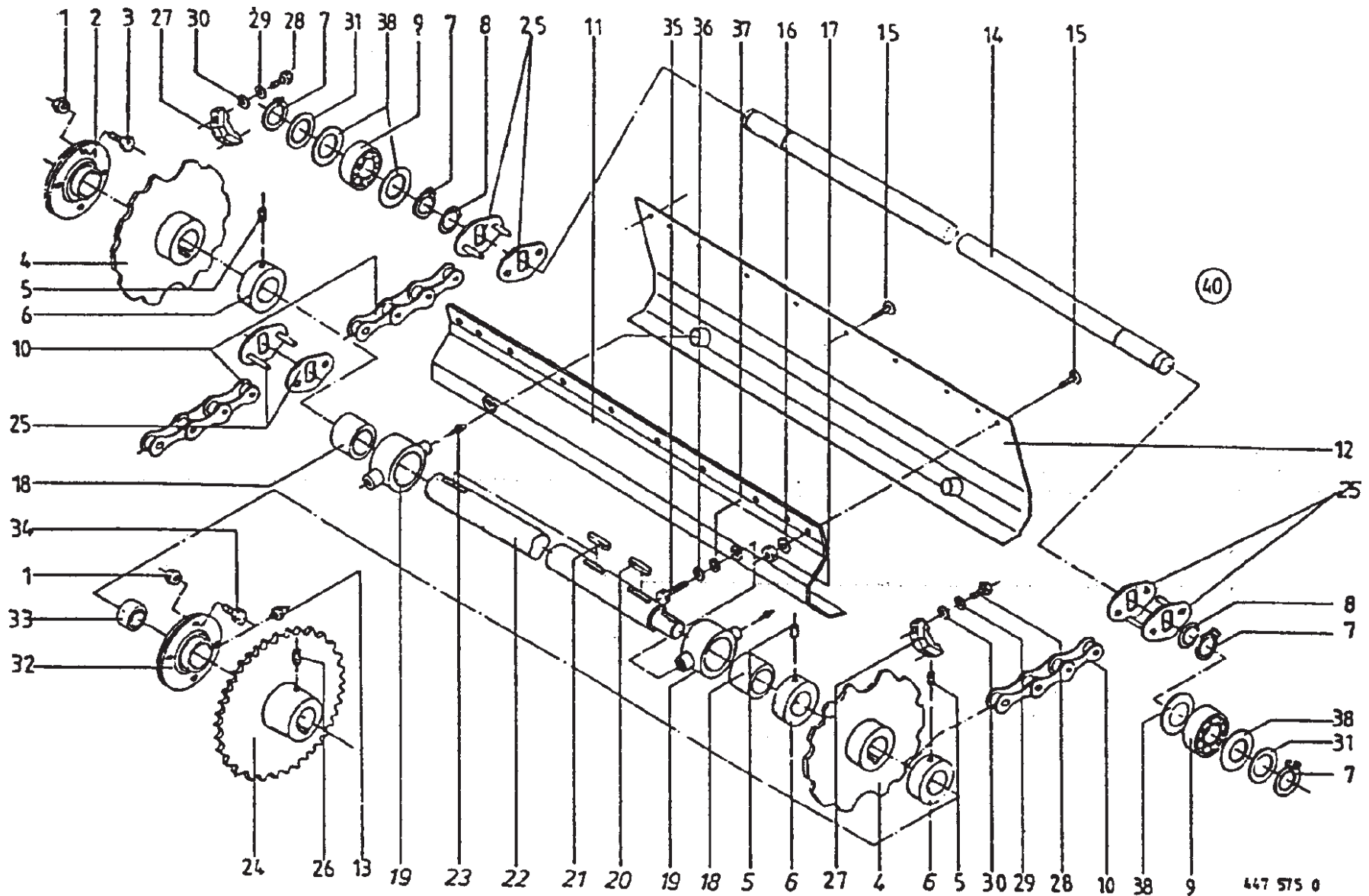
# Jack

445 299 2



## Jack

Item	Part Number	Description	Serial # Ranges	KR-130B	KR-130D WP	KR-160B	KR-160D WP	Notes
1	954.043.0	Weld-In Nut		X	X	X	X	M10 X 100
2	280.380.0	Pin		X	X	X	X	
3	903.790.1	Stud Bolt		X	X	X	X	
4	919.509.0	Ball Knob		X	X	X	X	
5	280.385.0	Pressure Spring		X	X	X	X	
6	954.017.0	Crank Handle		X	X	X	X	6 X 36
7	912.643.0	Roll Pin		X	X	X	X	
8	952.620.0	Outer Tube		X	X	X	X	
9	933.504.0	Thrust Ball Bearing		X	X	X	X	
10	952.621.0	Spindle		X	X	X	X	4 X 36
11	912.586.0	Roll Pin		X	X	X	X	
12	954.066.1	Inner Tube		X	X	X	X	
14	919.003.0	Grease Fitting		X	X	X	X	
20	280.395.6	Jack Complete		X	X	X	X	H1/S M8 X 1 Excludes Items 2-5

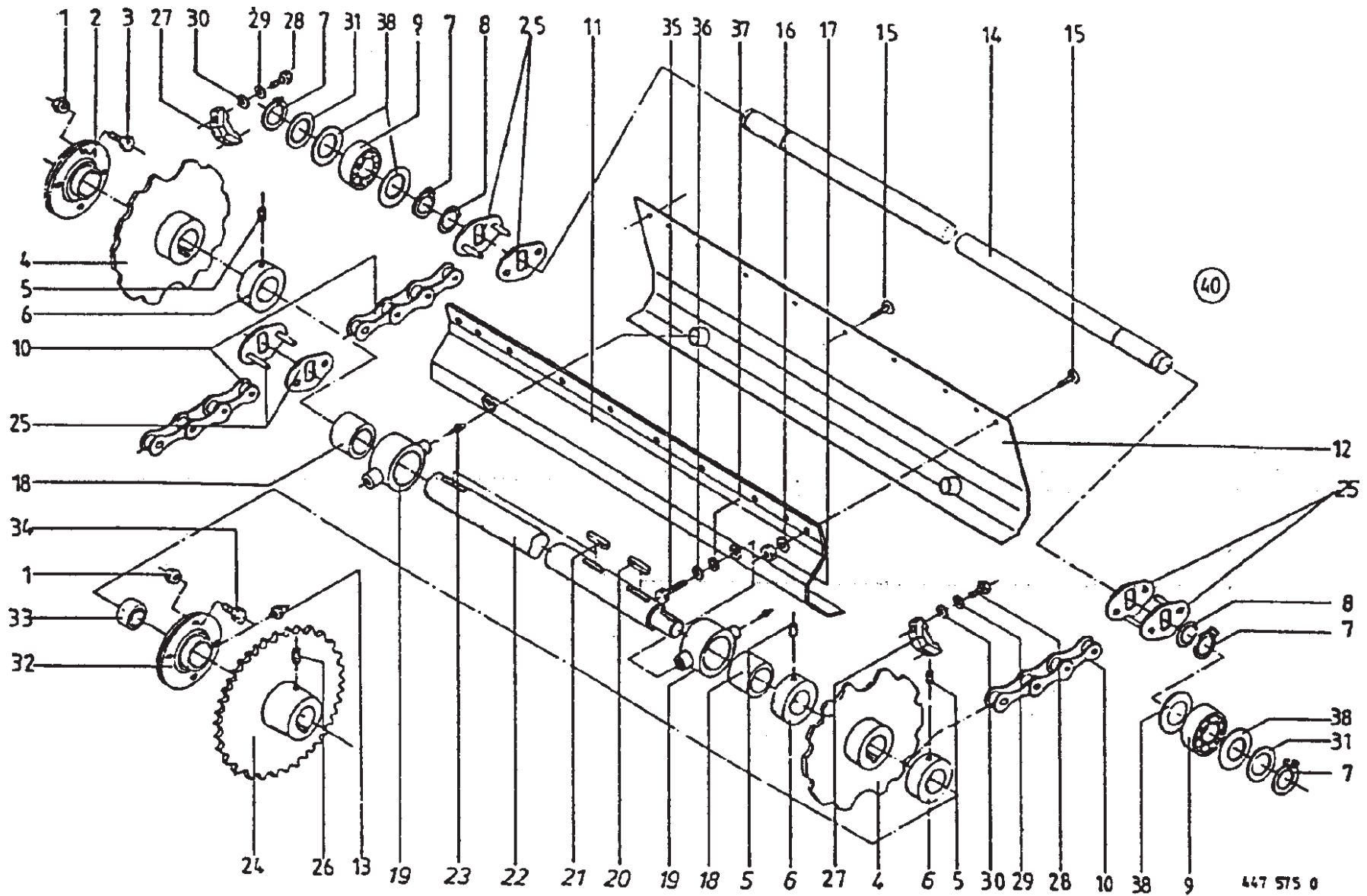


447 575 0

**Elevator Chain - Standard Pickup**

## Elevator Chain - Standard Pickup

Item	Part Number	Description	Serial # Ranges	KR-130B	KR-130D WP	KR-160B	KR-160D WP	Notes
1	908.711.1	Hex Nut		X		X		NM 12
2	280.752.0	Flange Bearing Housing		X		X		
3	900.656.0	Hex Head Bolt		X		X		M12 X 30
4	280.595.1	Sprocket		X		X		
5	905.933.0	Set Screw		X		X		M10 X 12
6	911.324.0	Lock Collar		X		X		A 45
7	911.541.0	Circlip		72		90		A 35 X 1.5
8	911.904.0	Snap Ring		72		90		SB 38
9	930.319.0	Roller Bearing		72		90		LR 35/72 2RSR
10	922.010.0	Roller Chain		72		90		
11	274.673.2	Front Cover		X		X		
12	274.436.1	Cover		X		X		
13	919.107.0	Grease Fitting		X		X		H3/S M8 X 1
14	280.757.0	Elevator Bar		36		45		Rd. 35 X 1362
15	904.025.0	Countersunk Screw		X		X		M8 X 25
16	910.413.0	Washer		X		X		8.4 X 17 X 1.6
17	908.706.0	Hex Nut		X		X		NM 8
18	346.414.0	Bushing		X		X		
19	280.361.1	Bearing Complete		X		X		Includes Items 18 & 23
20	915.203.0	Key		X		X		A 14 X 9 X 40
21	915.206.0	Key		X		X		A 14 X 9 X 50
22	274.779.1	Elevator Chain Drive Shaft		X		X		45 X 1520
23	919.003.0	Grease Fitting		X		X		H1/S M8 X 1
24	280.583.1	Sprocket		X		X		1" X 30 Teeth
25	922.007.0	Chain Lock		72		90		
26	905.937.0	Set Screw		X		X		M10 X 20
27	280.781.0	Chain Limiter		X		X		
28	900.634.0	Hex Head Bolt		X		X		M10 X 20
29	910.111.1	Spring Washer		X		X		B 10
30	910.414.0	Washer		X		X		10.5 X 21 X 2
31	911.134.0	Shim		X		X		35 X 45 X 1.0
32	274.903.0	Bearing Housing		X		X		
33	934.009.0	Bearing		X		X		UC 307
34	900.656.0	Hex Head Bolt		X		X		M12 X 30
35	900.634.0	Hex Head Bolt		X		X		M10 X 20
36	910.111.1	Spring Washer		X		X		B 10
37	910.414.0	Washer		X		X		10.5 X 21 X 2
38	910.657.0	Washer		72		90		35 X 50 X 2

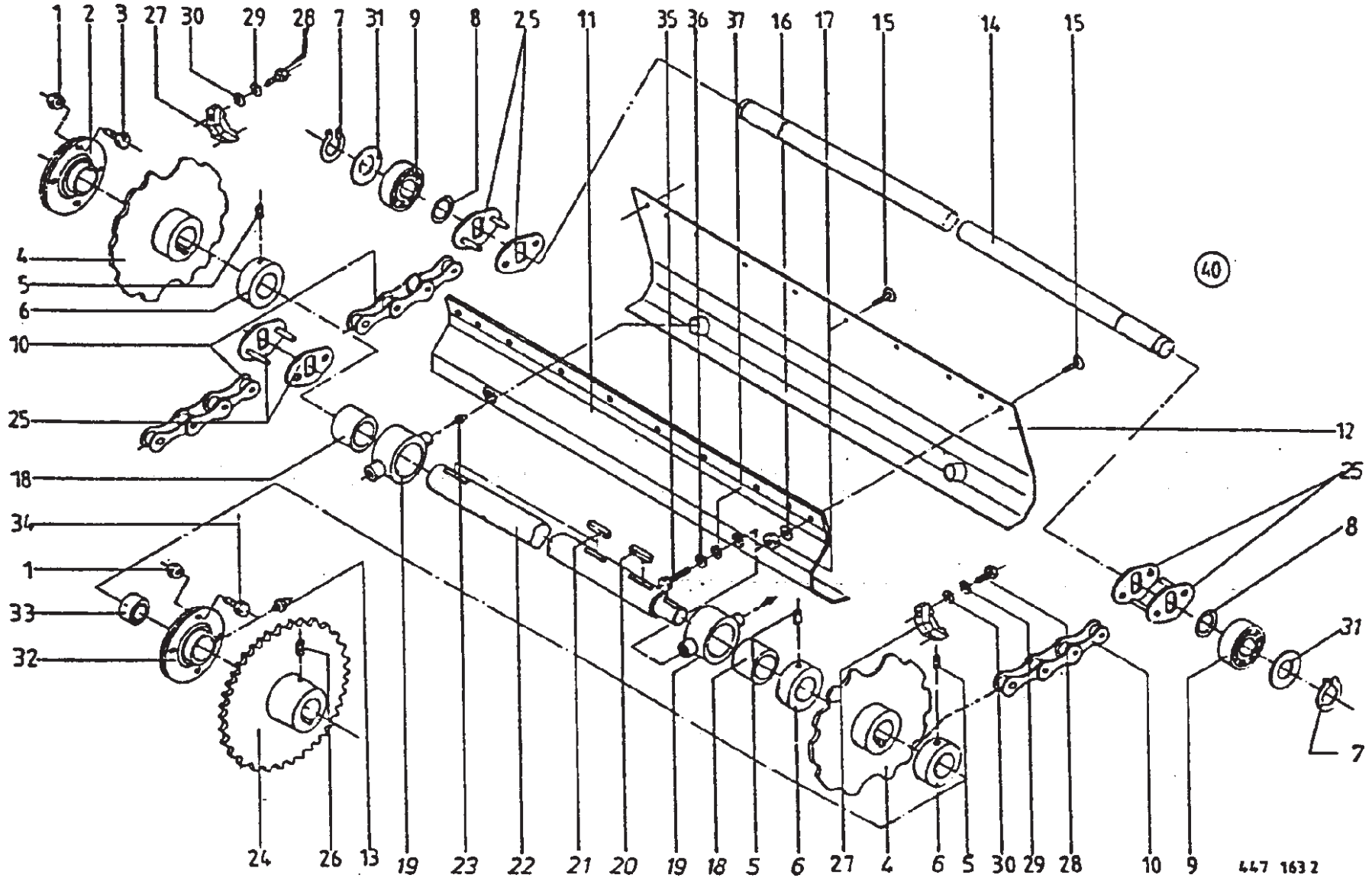


447 575 0

**Elevator Chain - Standard Pickup**

## Elevator Chain - Standard Pickup

Item	Part Number	Description	Serial # Ranges	KR-130B	KR-130D WP	KR-160B	KR-160D WP	Notes
40	275.755.0 275.756.0	Elevator Chain Complete Elevator Chain Complete		X		X		Includes Items 7-10, 14, 25, 31, 38 Includes Items 7-10, 14, 25, 31, 38

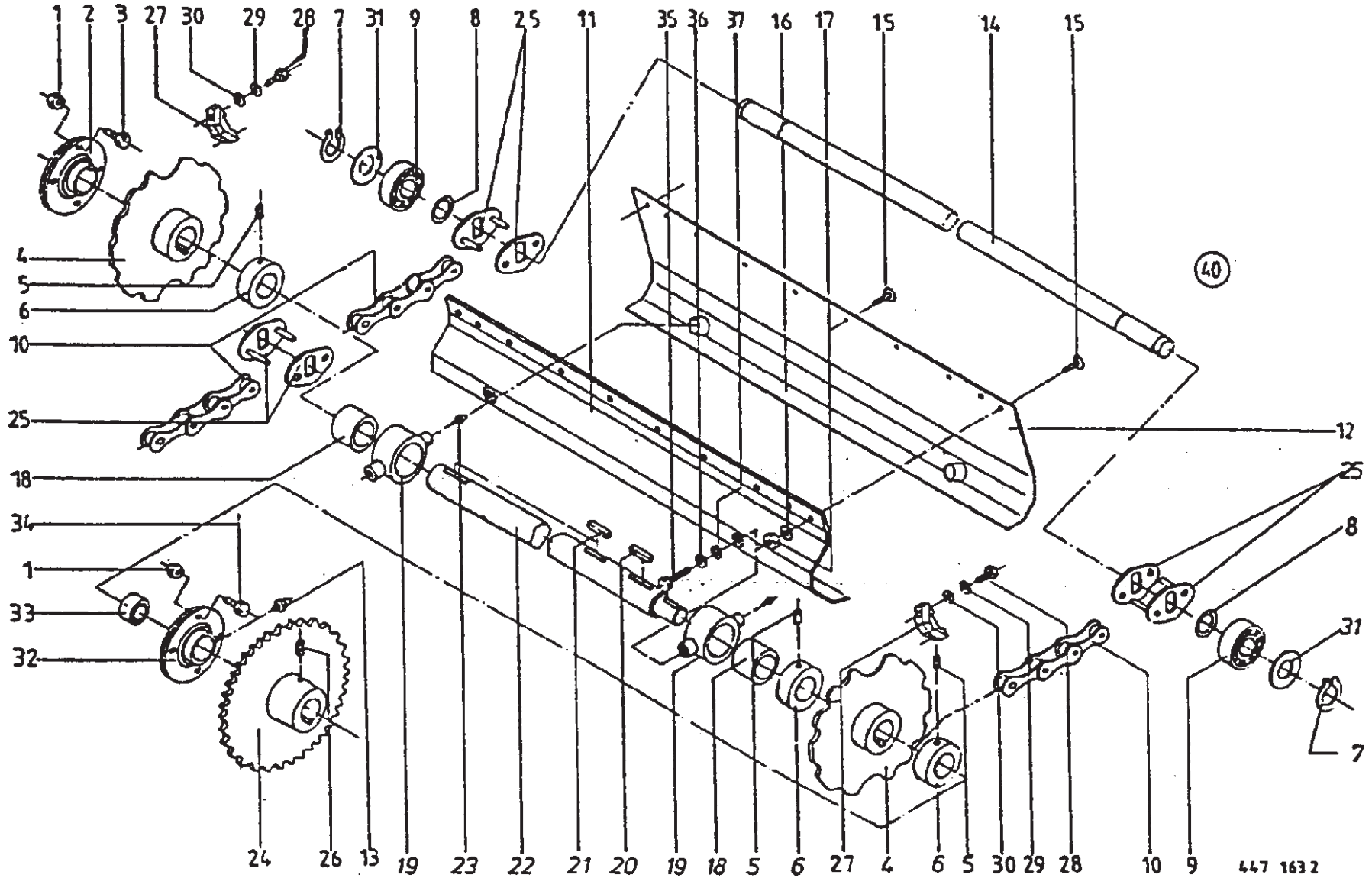


447 1632

**Elevator Chain - Wide Pickup**

## Elevator Chain - Wide Pickup

Item	Part Number	Description	Serial # Ranges	KR-130B	KR-130D WP	KR-160B	KR-160D WP	Notes
1	908.711.1	Hex Nut			X		X	NM 12
2	934.019.0	Flange Bearing Housing			X		X	RA 45
3	900.655.0	Hex Head Bolt			X		X	M12 X 25
4	280.595.1	Sprocket			X		X	
5	905.933.0	Set Screw			X		X	M10 X 12
6	911.324.0	Lock Collar			X		X	A 45
7	911.541.0	Circlip			72		90	A 35 X 1.5
8	911.901.0	Ring			72		90	SB 38
9	930.319.0	Roller Bearing			72		90	LR 35/72 2RSR
10	922.010.0	Roller Chain			72		90	
11	274.673.2	Front Cover			X		X	
12	274.436.1	Cover			X		X	
13	919.107.0	Grease Fitting			X		X	H3/S M8 X 1
14	274.750.1	Elevator Bar			36		45	Rd. 35 X 1362
15	904.025.0	Countersunk Screw			X		X	M8 X 25
16	910.413.0	Washer			X		X	8.4 X 17 X 1.6
17	908.706.0	Hex Nut			X		X	NM 8
18	346.414.0	Bushing			X		X	
19	280.361.1	Bearing Complete			X		X	Includes Items 18 & 23
20	915.203.0	Key			X		X	A 14 X 9 X 40
21	915.206.0	Key			X		X	A 14 X 9 X 50
22	274.779.1	Elevator Chain Drive Shaft			X		X	45 X 1520
23	919.003.0	Grease Fitting			X		X	H1/S M8 X 1
24	280.583.1	Sprocket			X		X	1" X 30 Teeth
25	922.007.0	Chain Lock			72		90	
26	905.937.0	Set Screw			X		X	M10 X 20
27	280.781.0	Chain Limiter			X		X	
28	900.634.0	Hex Head Bolt			X		X	M10 X 20
29	910.111.1	Spring Washer			X		X	B 10
30	910.414.0	Washer			X		X	10.5 X 21 X 2
31	910.657.0	Washer			72		90	35 X 50 X 2
32	274.903.0	Bearing Housing			X		X	
33	934.625.0	Bearing			X		X	GYE 45 KRRB-210
34	900.656.0	Hex Head Bolt			X		X	M12 X 30
35	900.634.0	Hex Head Bolt			X		X	M10 X 20
36	910.111.1	Spring Washer			X		X	B 10
37	910.414.0	Washer			X		X	10.5 X 21 X 2
40	275.757.0	Elevator Chain Complete			X		X	Includes Items 7-10, 14, 25, 31



447 1632

**Elevator Chain - Wide Pickup**



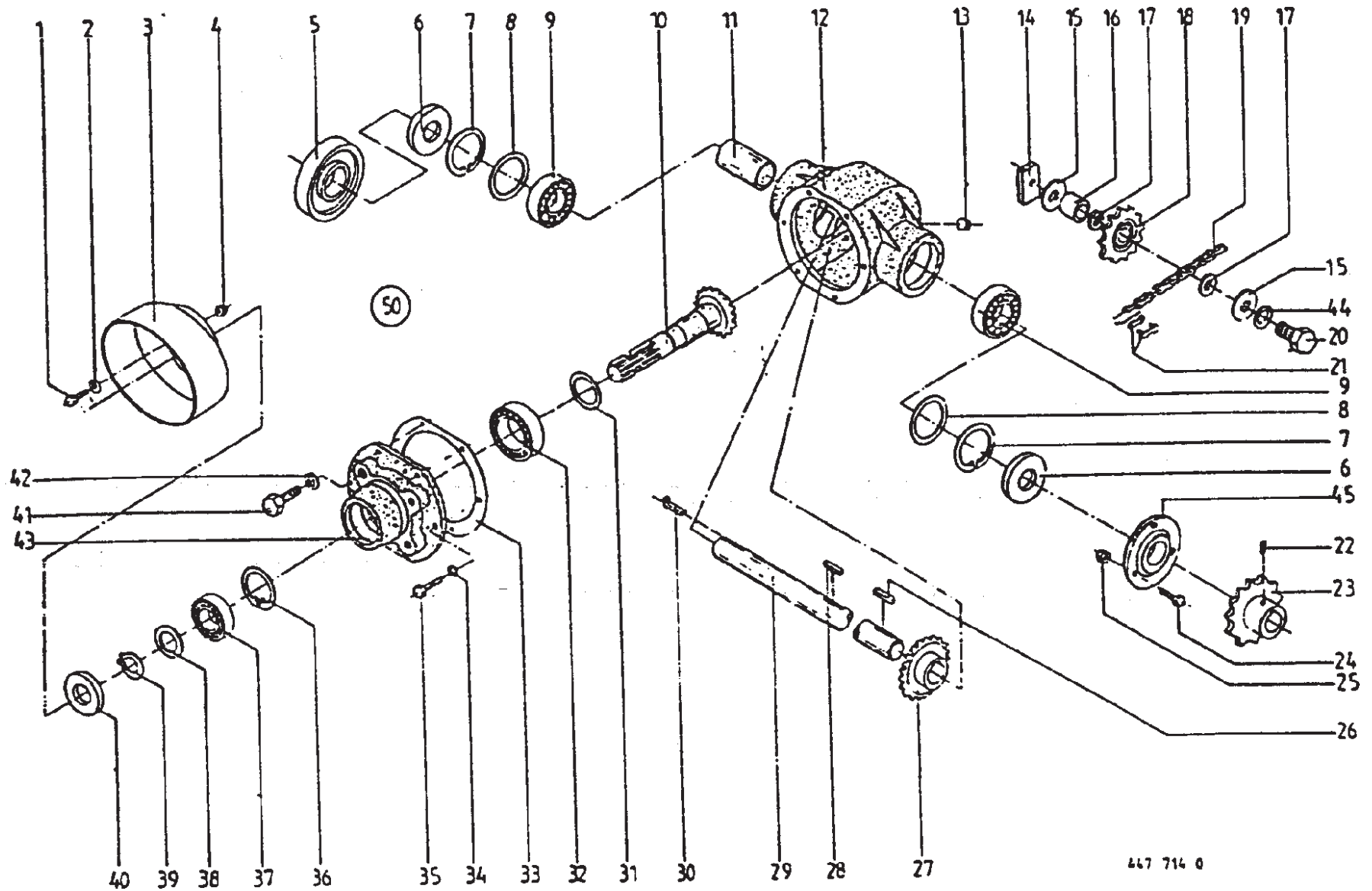
## Elevator Chain - Wide Pickup

Item	Part Number	Description	Serial # Ranges	KR-130B	KR-130D WP	KR-160B	KR-160D WP	Notes
40	275.758.0	Elevator Chain Complete					X	Includes Items 7-10, 14, 25, 31



## Elevator Chain Tensioner

Item	Part Number	Description	Serial # Ranges	KR-130B	KR-130D WP	KR-160B	KR-160D WP	Notes
1	911.653.0	Circlip		X	X	X	X	155 X 2.0
2	280.596.1	Sprocket		X	X	X	X	
3	930.506.0	Bearing		X	X	X	X	6006 2RS
4	910.863.0	Shim		X	X	X	X	30 X 42 X .5
5	910.866.0	Shim		X	X	X	X	30 X 55 X 2.0
6	905.922.0	Set Screw		X	X	X	X	M8 X 10
7	911.317.0	Lock Collar		X	X	X	X	A 30
8	908.706.0	Hex Nut		X	X	X	X	NM 8
9	280.273.1	Spacer Tube		X	X	X	X	
10	275.045.3	Shaft		X	X	X	X	1376mm Long
11	910.864.0	Shim		X	X	X	X	30 X 42 X 1.0
12	280.364.3	Guide Piece		X	X	X	X	
13	912.676.0	Roll Pin		X	X	X	X	8 X 50
	912.618.0	Roll Pin		X	X	X	X	5 X 50
14	280.267.3	Bracket		X	X	X	X	
15	910.014.0	Spring Washer		X	X	X	X	B 16
16	280.532.0	Chain Tensioner		X	X	X	X	
18	900.674.0	Hex Head Bolt		X	X	X	X	M16 X 35
19	904.001.0	Allen Screw		X	X	X	X	M8 X 80
20	275.044.3	Cover Plate		X	X	X	X	
21	280.534.2	Adjusting Screw		X	X	X	X	
22	280.531.1	Pressure Spring		X	X	X	X	
23	273.026.0	Spacer Tube		X	X	X	X	44 X 2 X 280
24	910.865.0	Shim		X	X	X	X	30 X 42 X 2.0

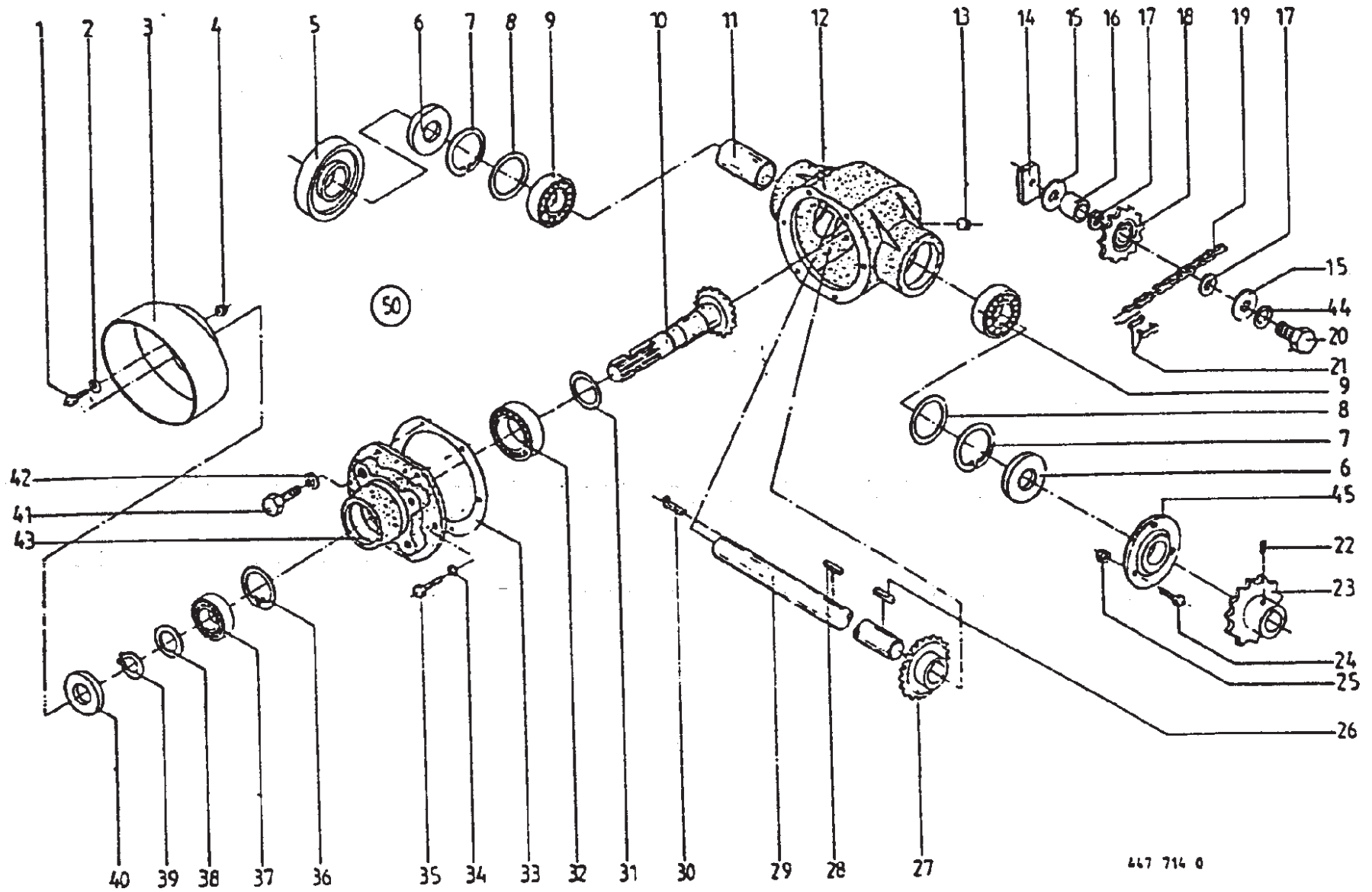


467 714 0

**Gearbox - Standard Pickup**

## Gearbox - Standard Pickup

Item	Part Number	Description	Serial # Ranges	KR-130B	KR-130D WP	KR-160B	KR-160D WP	Notes
1	900.634.0	Hex Head Bolt		X		X		M10 X 20
2	910.353.0	Washer		X		X		11 X 34 X 3
3	270.193.2	Protecting Cup		X		X		
4	908.212.0	Hex Nut		X		X		M10
5	274.778.1	Friction Wheel		X		X		
6	936.339.0	Radial Seal		X		X		35 X 80 X 13 B2
7	911.673.0	Circlip		X		X		1 80 X 2.5
8	910.964.0	Shim		X		X		63 X 80 X 1.0
	910.963.0	Shim		X		X		63 X 80 X .5
	910.962.0	Shim		X		X		63 X 80 X .3
	910.965.0	Shim		X		X		63 X 80 X 2.0
9	930.167.0	Bearing		X		X		6307
10	273.028.0	Pinion Shaft	347613 & Later	X		X		Z=14
	280.436.5	Pinion Shaft	347612 & Prior	X		X		Z=16
11	274.777.0	Spacer Tube		X		X		
12	280.435.1	Gearbox Housing		X		X		
13	906.040.1	Screw Plug		X		X		M18 X 1.5
14	275.253.1	Lock Plate		X		X		
15	910.648.0	Washer		X		X		20.5 X 50 X 2.5
16	280.164.0	Spacer Bushing		X		X		
17	910.826.0	Shim		X		X		20 X 28 X 1.0
18	922.322.0	Sprocket		X		X		Z=12
19	920.602.0	Drive Chain Complete		X		X		1" X 78 Ro. - Includes Item 21
20	901.509.0	Hex Head Bolt		X		X		M20 X 90
21	921.985.0	Chain Lock		X		X		1"
	921.995.0	Offset Link		X		X		1"
22	905.933.0	Set Screw		X		X		M10 X 12
23	274.679.0	Sprocket		X		X		1" - Z=18
24	900.636.0	Hex Head Bolt		X		X		M10 X 25
25	908.758.0	Hex Nut		X		X		NM10
26	915.122.0	Key		X		X		A 10 X 8 X 40
27	273.029.0	Bevel Gear	347613 & Later	X		X		Z=26
	280.551.1	Bevel Gear	347612 & Prior	X		X		Z=30
28	915.126.0	Key		X		X		A 10 X 8 X 50
29	274.776.2	Shaft		X		X		
30	915.542.0	Gib-Head Key		X		X		10 X 8 X 40
31	910.891.0	Shim		X		X		40 X 50 X 1.0
	910.890.0	Shim		X		X		40 X 50 X .5

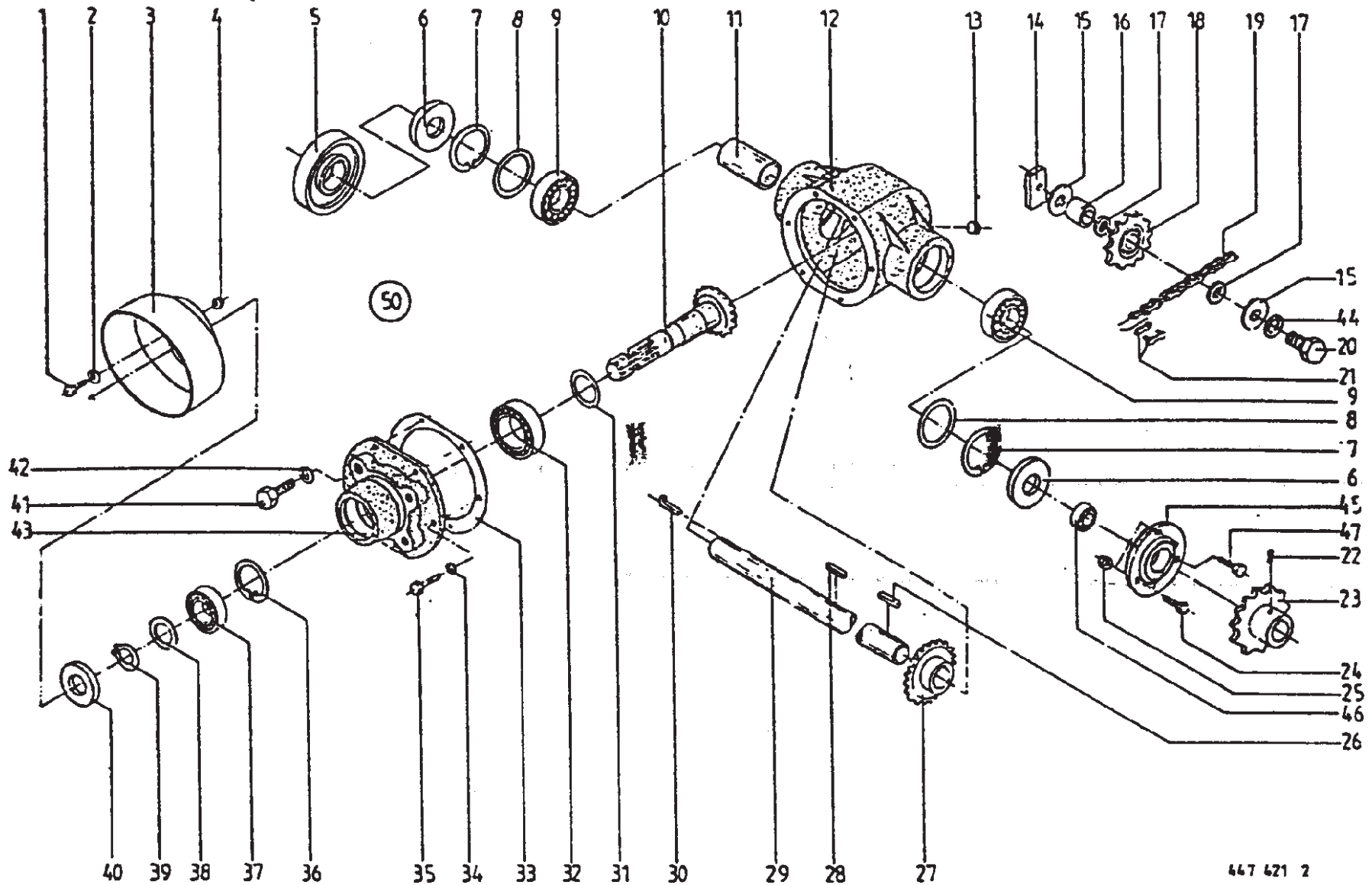


467 714 0

**Gearbox - Standard Pickup**

## Gearbox - Standard Pickup

Item	Part Number	Description	Serial # Ranges	KR-130B	KR-130D WP	KR-160B	KR-160D WP	Notes
31	910.889.0	Shim		X		X		40 X 50 X .3
32	932.193.0	Tapered Roller Bearing	347613 & Later	X		X		33208
	932.107.0	Tapered Roller Bearing	347612 & Prior	X		X		30208 A
33	151.042.0	Gasket		X		X		
34	910.111.1	Spring Washer		X		X		B 10
35	900.636.0	Hex Head Bolt		X		X		M10 X 25
36	911.668.0	Circlip		X		X		172 X 2.5
37	930.137.0	Bearing		X		X		6207
38	910.727.0	Washer		X		X		S 35 X 45
	911.134.0	Shim		X		X		35 X 45 X 1.0
	911.133.0	Shim		X		X		35 X 45 X .5
	911.132.0	Shim		X		X		35 X 45 X .3
	911.130.0	Shim		X		X		35 X 45 X .1
39	911.541.0	Circlip		X		X		35 X 1.5
40	936.337.0	Radial Seal		X		X		35 X 72 X 12 B2
41	900.673.0	Hex Head Bolt		X		X		M16 X 25
42	910.014.0	Spring Washer		X		X		B 16
43	273.081.0	Gearbox Cover	347613 & Later	X		X		
	280.437.0	Gearbox Cover	347612 & Prior	X		X		
44	910.016.0	Spring Washer		X		X		B 20
45	934.017.0	Flange Bearing		X		X		RA 35
50	274.775.2	Gearbox Complete		X		X		Includes Items 5-13, 27-40, 43



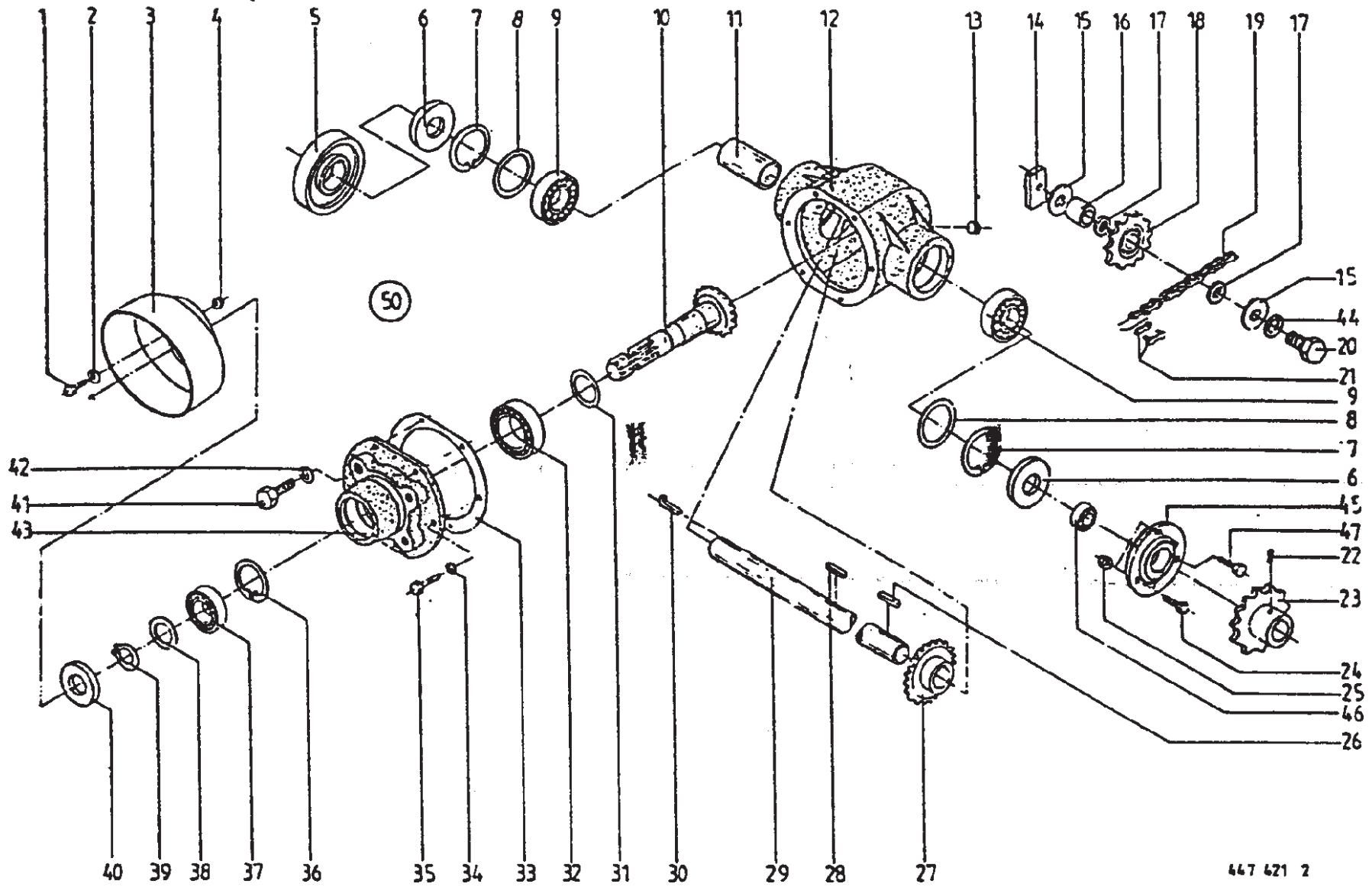
447 421 2

**Gearbox - Wide Pickup**



## Gearbox - Wide Pickup

Item	Part Number	Description	Serial # Ranges	KR-130B	KR-130D WP	KR-160B	KR-160D WP	Notes
1	900.634.0	Hex Head Bolt			X		X	M10 X 20
2	910.353.0	Washer			X		X	11 X 34 X 3
3	270.193.2	Protecting Cup			X		X	
4	908.212.0	Hex Nut			X		X	M10
5	274.778.1	Friction Wheel			X		X	
6	936.339.0	Radial Seal			X		X	35 X 80 X 13 B2
7	911.673.0	Circlip			X		X	180 X 2.5
8	910.964.0	Shim			X		X	63 X 80 X 1.0
	910.963.0	Shim			X		X	63 X 80 X .5
	910.962.0	Shim			X		X	63 X 80 X .3
	910.965.0	Shim			X		X	63 X 80 X 2.0
9	930.167.0	Bearing			X		X	6307
10	273.028.0	Pinion Shaft	347613 & Later		X		X	Z=14
	280.436.5	Pinion Shaft	347612 & Prior		X		X	Z=16
11	274.777.0	Spacer Tube			X		X	
12	280.435.1	Gearbox Housing			X		X	
13	906.040.1	Screw Plug			X		X	M18 X 1.5
14	275.253.1	Lock Plate			X		X	
15	910.648.0	Washer			X		X	20.5 X 50 X 2.5
16	280.164.0	Spacer Bushing			X		X	
17	910.826.0	Shim			X		X	20 X 28 X 1.0
18	922.322.0	Sprocket			X		X	Z=12
19	920.602.0	Drive Chain Complete			X		X	1" X 78 Ro. - Includes Item 21
20	901.509.0	Hex Head Bolt			X		X	M20 X 90
21	921.985.0	Chain Lock			X		X	1"
	921.995.0	Offset Link			X		X	1"
22	905.933.0	Set Screw			X		X	M10 X 12
23	274.679.0	Sprocket			X		X	1" - Z=18
24	900.657.0	Hex Head Bolt			X		X	M12 X 35
25	908.215.0	Hex Nut			X		X	M12
26	915.122.0	Key			X		X	A 10 X 8 X 40
27	273.029.0	Bevel Gear	347613 & Later		X		X	Z=26
	280.551.1	Bevel Gear	347612 & Prior		X		X	Z=30
28	915.126.0	Key			X		X	A 10 X 8 X 50
29	274.776.2	Shaft			X		X	
30	915.542.0	Gib-Head Key			X		X	10 X 8 X 40
31	910.891.0	Shim			X		X	40 X 50 X 1.0
	910.890.0	Shim			X		X	40 X 50 X .5

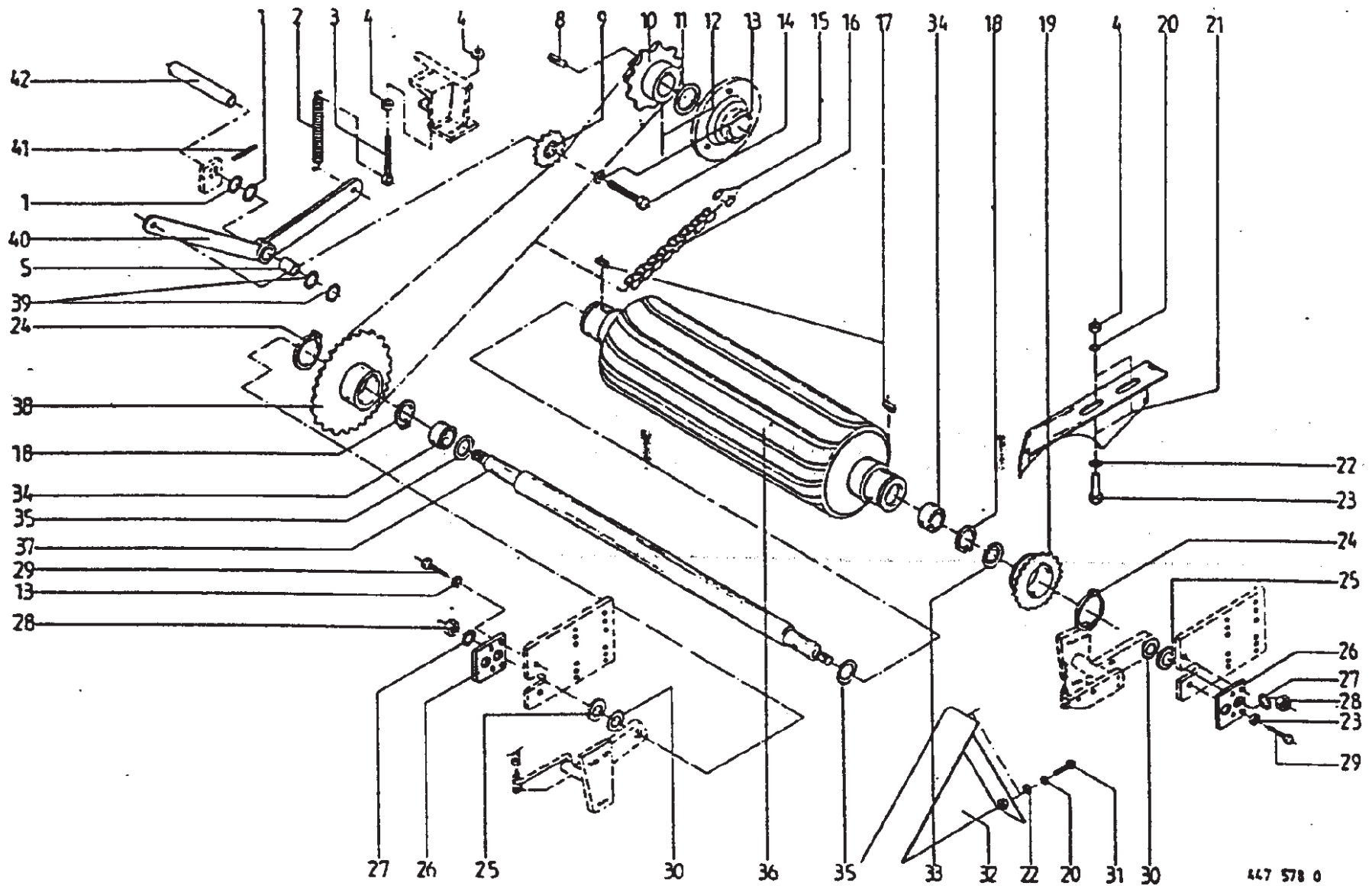


447 421 2

**Gearbox - Wide Pickup**

## Gearbox - Wide Pickup

Item	Part Number	Description	Serial # Ranges	KR-130B	KR-130D WP	KR-160B	KR-160D WP	Notes
31	910.889.0	Shim			X		X	40 X 50 X .3
32	932.193.0	Tapered Roller Bearing	347613 & Later		X		X	33208
	932.107.0	Tapered Roller Bearing	347612 & Prior		X		X	30208 A
33	151.042.0	Gasket			X		X	
34	910.111.1	Spring Washer			X		X	B 10
35	900.636.0	Hex Head Bolt			X		X	M10 X 25
36	911.668.0	Circlip			X		X	172 X 2.5
37	930.137.0	Bearing			X		X	6207
38	910.727.0	Washer			X		X	S 35 X 45
	911.134.0	Shim			X		X	35 X 45 X 1.0
	911.133.0	Shim			X		X	35 X 45 X .5
	911.132.0	Shim			X		X	35 X 45 X .3
	911.130.0	Shim			X		X	35 X 45 X .1
39	911.541.0	Circlip			X		X	35 X 1.5
40	936.337.0	Radial Seal			X		X	35 X 72 X 12 B2
41	900.673.0	Hex Head Bolt			X		X	M16 X 25
42	910.014.0	Spring Washer			X		X	B 16
43	273.081.0	Gearbox Cover	347613 & Later		X		X	
	280.437.0	Gearbox Cover	347612 & Prior		X		X	
44	910.016.0	Spring Washer			X		X	B 20
45	280.752.0	Flange Bearing Housing			X		X	
46	934.009.0	Bearing			X		X	UC 307
47	900.656.0	Hex Head Bolt			X		X	M12 X 30
50	274.775.2	Gearbox Complete			X		X	Includes Items 5-13, 27-40, 43

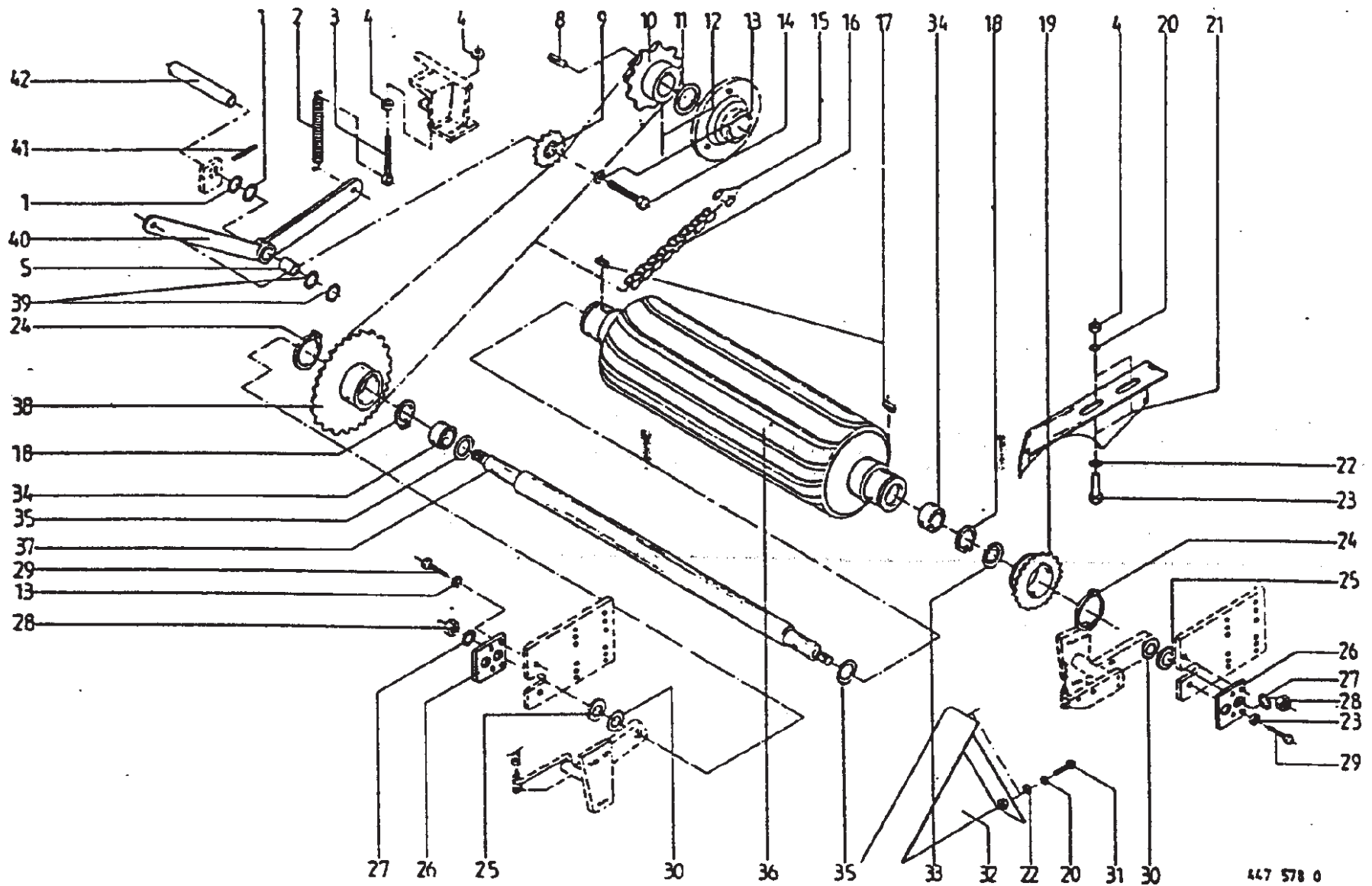


447 578 0

**Lower Roller - Standard Pickup**

## Lower Roller - Standard Pickup

Item	Part Number	Description	Serial # Ranges	KR-130B	KR-130D WP	KR-160B	KR-160D WP	Notes
1	910.611.0	Washer		X		X		22 X 37 X 1
2	345.432.1	Tension Spring		X		X		
3	905.338.0	Eye Bolt		X				10 X 110
	905.341.0	Eye Bolt				X		10 X 195
4	908.212.0	Hex Nut		X		X		M10
5	934.911.0	Bushing		X		X		2040 DU
8	915.201.0	Key		X		X		A 14 X 9 X 32
9	922.313.0	Sprocket		X		X		Z=13
10	280.804.0	Sprocket		X		X		Z=25
11	910.899.0	Shim		X		X		45 X 55 X 1.0
12	905.932.0	Set Screw		X		X		M10 X 10
13	910.014.0	Spring Washer		X		X		B 16
14	900.674.0	Hex Head Bolt		X		X		M16 X 35
15	921.980.0	Master Link		X		X		3/4"
	921.992.0	Offset Link		X		X		3/4"
16	921.827.1	Roller Chain		X		X		Includes Item 15
17	915.116.0	Key		X		X		A 10 X 8 X 36
18	911.659.0	Circlip		X		X		I 62 X 2.0
19	274.265.2	Sprocket		X		X		Z=19
20	910.111.1	Spring Washer		X		X		B 10
21	274.388.6	Anti-Wrap Plate Left		X				
	274.389.5	Anti-Wrap Plate Right		X				
	275.297.5	Anti-Wrap Plate Left				X		
	275.298.5	Anti-Wrap Plate Right				X		
22	910.414.0	Washer		X		X		10.5 X 21 X 2
23	900.637.0	Hex Head Bolt		X		X		M10 X 30
24	911.570.0	Circlip		X		X		A 75 X 2.5
25	910.516.1	Washer		X		X		33 X 56 X 4
26	274.608.0	Roller Support		X		X		
27	910.016.0	Spring Washer		X		X		B 20
28	908.225.0	Hex Nut		X		X		M20
29	900.673.0	Hex Head Bolt		X		X		M16 X 25
30	910.865.0	Shim		X		X		30 X 42 X 2.0
31	900.636.0	Hex Head Bolt		X		X		M10 X 25
32	274.705.1	Deflector L/H		X		X		
	274.706.1	Deflector R/H		X		X		
33	280.749.0	End Washer		X		X		
34	930.536.1	Bearing		X		X		6206 2RS

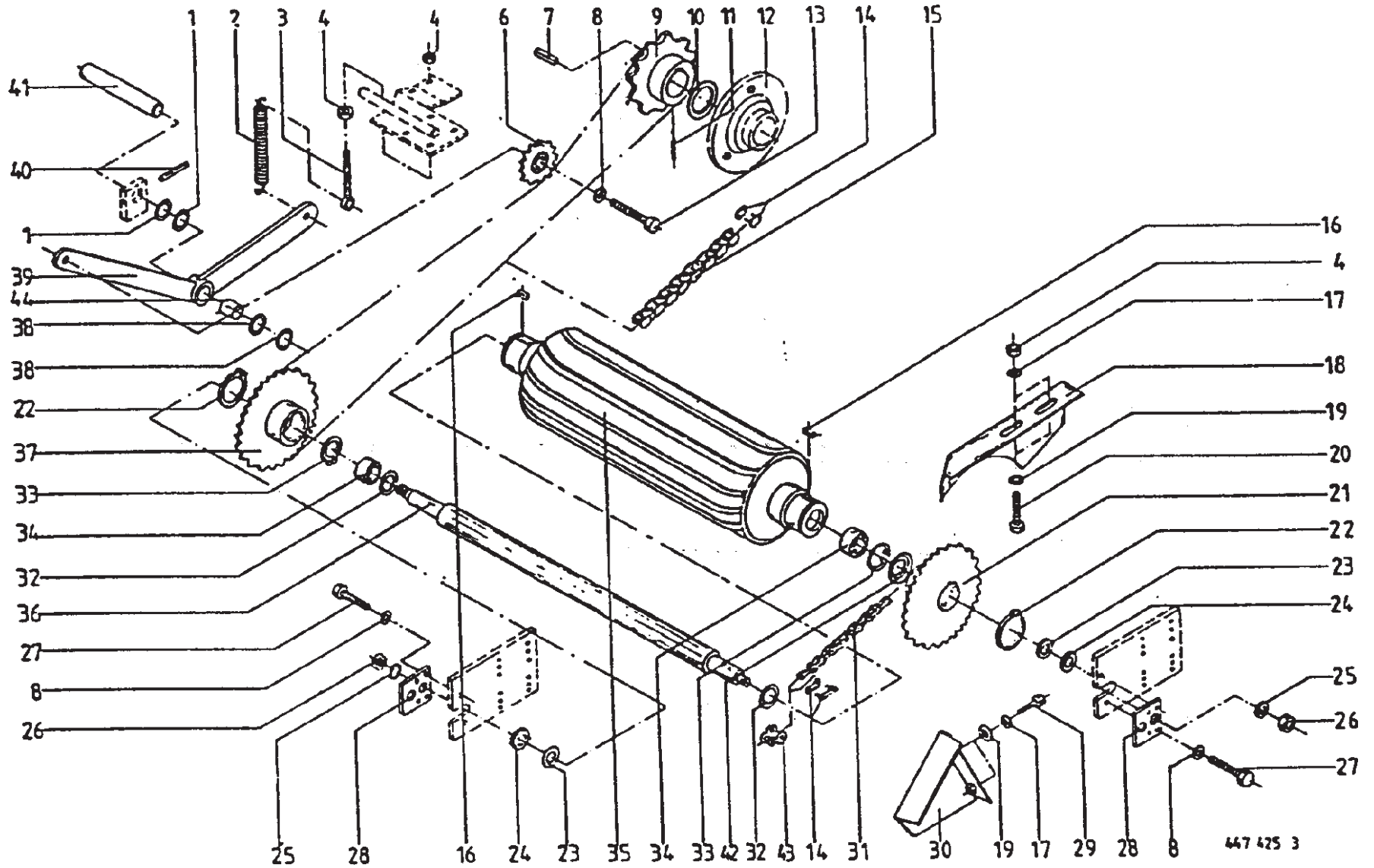


447 578 0

**Lower Roller - Standard Pickup**

## Lower Roller - Standard Pickup

Item	Part Number	Description	Serial # Ranges	KR-130B	KR-130D WP	KR-160B	KR-160D WP	Notes
35	910.864.0	Shim		X		X		30 X 42 X 1.0
36	274.562.1	Lower Roller		X		X		
37	274.724.3	Shaft for Lower Roller		X		X		35 X 1602
38	274.722.2	Sprocket		X		X		Z=33
39	910.512.2	Washer		X		X		21 X 37 X 3
40	274.994.0	Chain Tensioner		X		X		Includes Item 5
41	912.670.0	Roll Pin		X		X		8 X 40
42	275.728.0	Pin		X		X		20 X 85

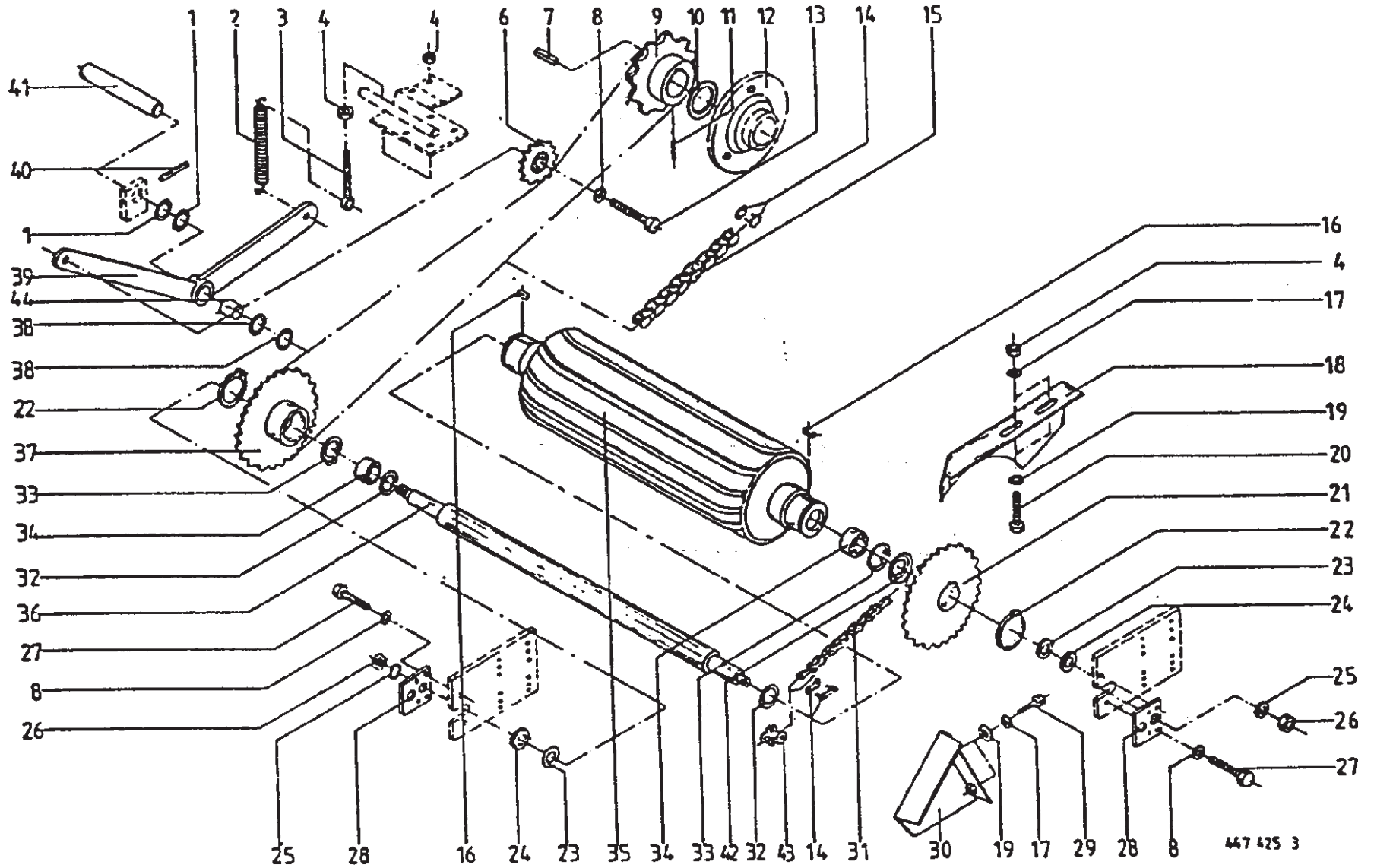


**Lower Roller - Wide Pickup**



## Lower Roller - Wide Pickup

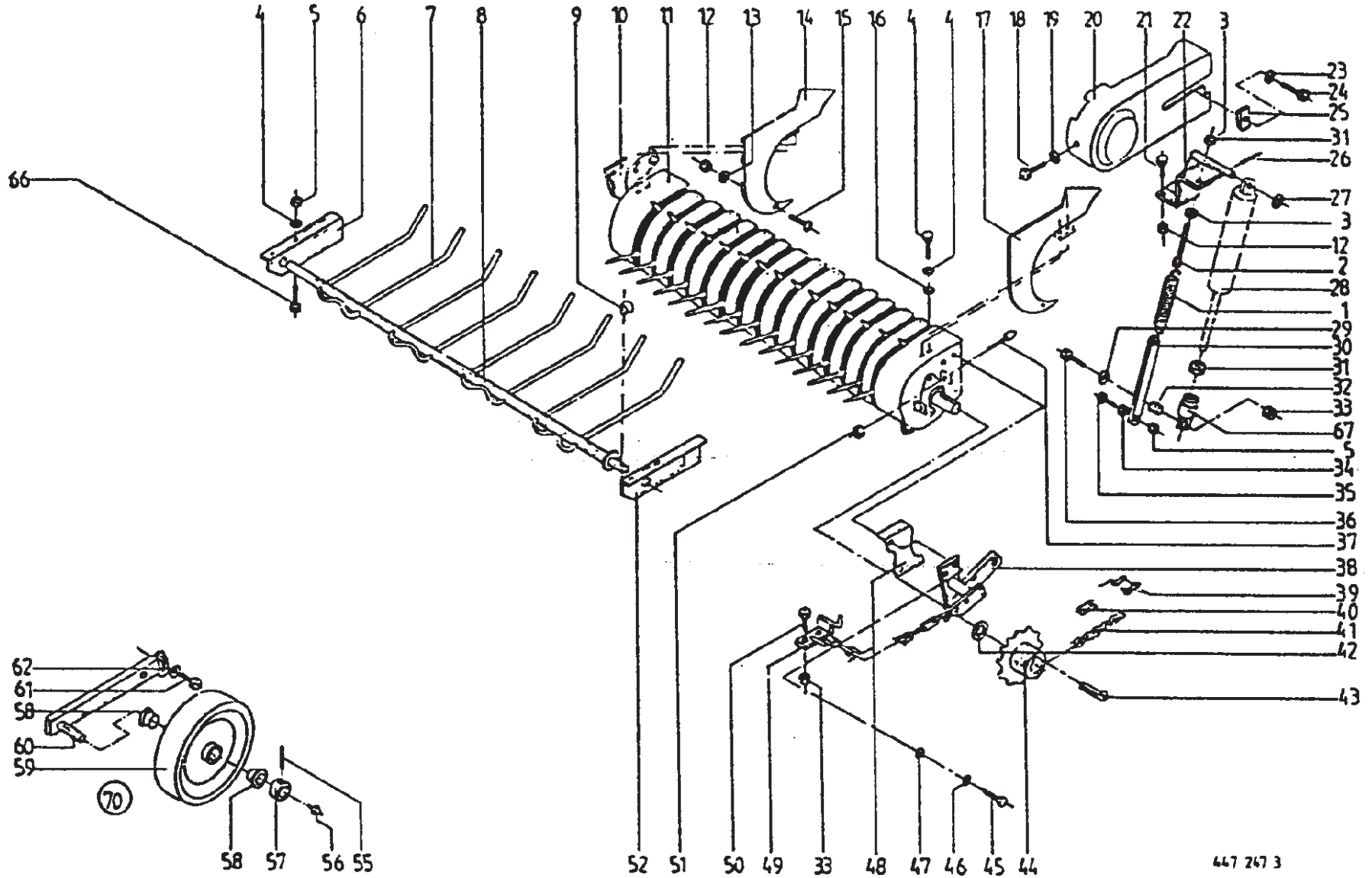
Item	Part Number	Description	Serial # Ranges	KR-130B	KR-130D WP	KR-160B	KR-160D WP	Notes
1	910.611.0	Washer			X		X	22 X 37 X 1
2	345.432.1	Tension Spring			X		X	
3	905.338.0	Eye Bolt			X			10 X 110
	905.341.0	Eye Bolt					X	10 X 195
4	908.212.0	Hex Nut			X		X	M10
6	922.313.0	Sprocket			X		X	Z=13
7	915.201.0	Key			X		X	A 14 X 9 X 32
8	910.014.0	Spring Washer			X		X	B 16
9	274.987.0	Sprocket			X		X	Z=24, T=3/4"
10	910.899.0	Washer			X		X	45 X 55 X 1.0
11	905.922.0	Set Screw			X		X	M8 X 10
13	900.674.0	Hex Head Bolt			X		X	M16 X 35
14	921.980.0	Master Link			X		X	3/4"
15	921.852.1	Roller Chain Complete			X		X	3/4" X 93 - Includes Item 14
16	915.116.0	Key			X		X	A 10 X 8 X 36
17	910.111.1	Spring Washer			X		X	B 10
18	274.760.0	Anti-Wrap Plate Left			X			
	274.761.0	Anti-Wrap Plate Right			X			
	274.771.0	Anti-Wrap Plate Left					X	
	274.772.0	Anti-Wrap Plate Right					X	
19	910.414.0	Washer			X		X	A 10.5
20	900.637.0	Hex Head Bolt			X		X	M10 X 30
21	280.728.0	Sprocket			X		X	Z=50, T=3/4"
22	911.570.0	Circlip			X		X	75 X 2.5
23	910.865.0	Shim			X		X	30 X 42 X 2.0
24	910.516.1	Washer			X		X	33
25	910.016.0	Spring Washer			X		X	B 20
26	908.225.0	Hex Nut			X		X	M20
27	900.673.0	Hex Head Bolt			X		X	M16 X 25
28	274.608.0	Roller Support			X		X	
29	900.636.0	Hex Head Bolt			X		X	M10 X 25
30	275.691.0	Guide L/H			X		X	
	275.693.0	Guide R/H			X		X	
31	921.821.0	Roller Chain			X		X	3/4" X 66 - Includes Item 14
32	910.864.0	Shim			X		X	30 X 42 X 1.0
33	911.659.0	Circlip			X		X	I 62 X 2.0
34	930.536.1	Bearing			X		X	6206 2RS
35	275.640.1	Lower Roller			X		X	



**Lower Roller - Wide Pickup**

## Lower Roller - Wide Pickup

Item	Part Number	Description	Serial # Ranges	KR-130B	KR-130D WP	KR-160B	KR-160D WP	Notes
36	274.724.3	Shaft for Lower Roller			X		X	Z=40, T=3/4" B 21 Includes Item 44 8 X 40
37	274.725.0	Sprocket			X		X	
38	910.512.2	Washer			X		X	
39	274.994.0	Chain Tensioner			X		X	
40	912.670.0	Roll Pin			X		X	
41	275.728.0	Pin			X		X	3/4" 2040 DU
42	280.749.0	End Washer			X		X	
43	921.992.0	Offset Link			X		X	
44	934.911.0	Bushing			X		X	

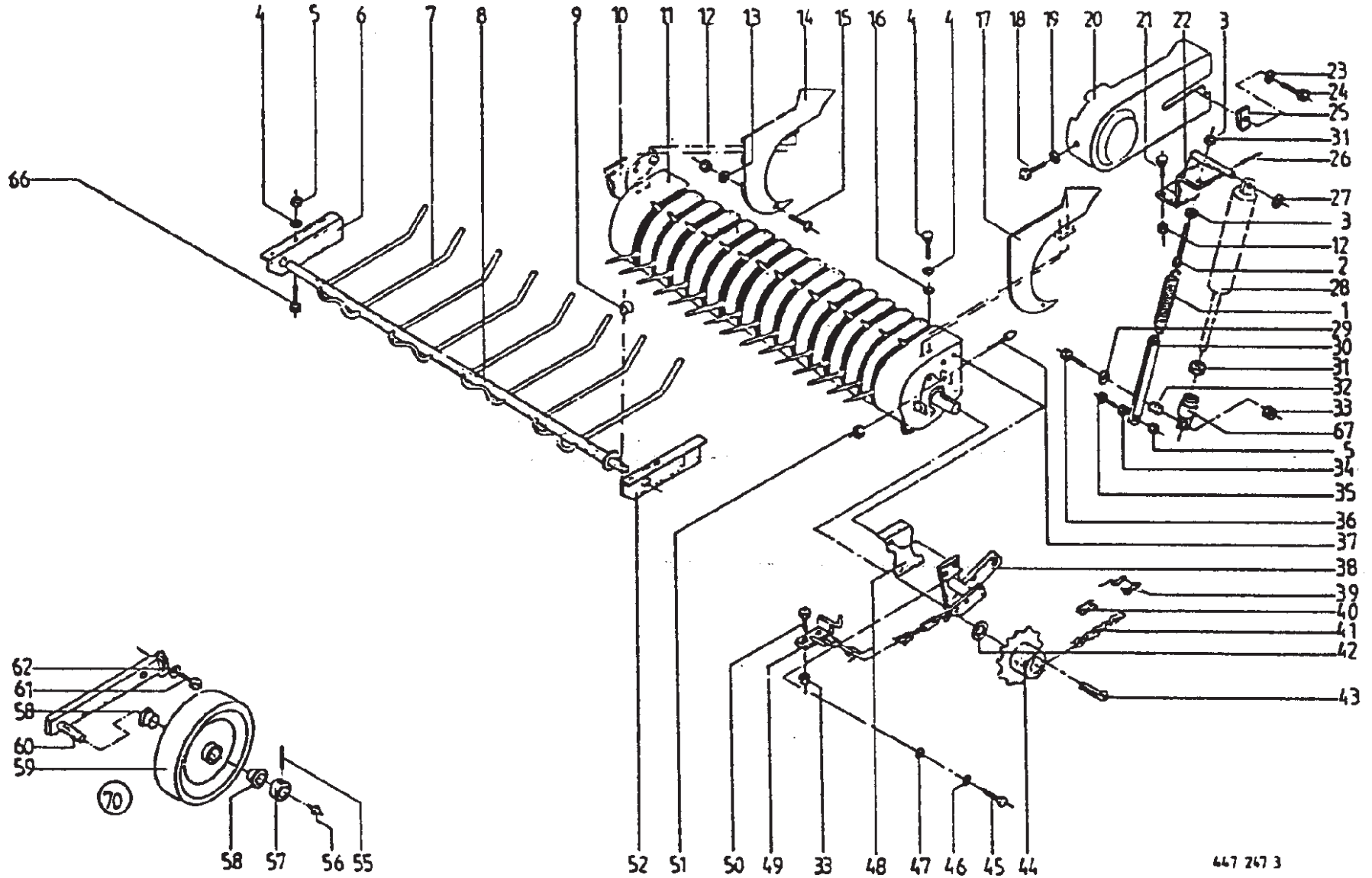


447 267 3

# Standard Pickup Mounting

## Standard Pickup Mounting

Item	Part Number	Description	Serial # Ranges	KR-130B	KR-130D WP	KR-160B	KR-160D WP	Notes
1	274.483.1	Tension Spring		X		X		M10 X 110 M10 B 10 M10
2	905.338.0	Eye Bolt		X		X		
3	908.212.0	Hex Nut		X		X		
4	910.111.1	Spring Washer		X		X		
5	908.212.0	Hex Nut		X		X		
6	274.312.1	Compression Rake Bracket Right		X		X		10 X 45
7	280.746.0	Tines for Compression Rake		X		X		
8	280.748.0	Compression Rake		X		X		
9	917.011.0	Lynch Pin		X		X		
10	274.523.3	Pickup Holder Right		X		X		
11	274.563.4	Standard Pickup		X		X		NM 8 8.4 X 17 X 1.6  M8 X 20
12	908.706.0	Hex Nut		X		X		
13	910.413.0	Washer		X		X		
14	274.706.1	Input Plate R/H		X		X		
15	905.231.0	Flat Round Bolt		X		X		
16	910.414.0	Washer		X		X		10.5 X 21 X 2  M8 X 16 8.4 X 24 X 2
17	274.705.1	Input Plate L/H		X		X		
18	900.612.0	Hex Head Bolt		X		X		
19	910.603.0	Washer		X		X		
20	274.683.2	Guard		X		X		
21	900.614.0	Hex Head Bolt		X		X		M8 X 20
22	274.517.1	Cylinder Mount Left		X				
	274.518.3	Cylinder Mount Right		X				
	274.480.0	Cylinder Mount Left				X		
	274.485.4	Cylinder Mount Right				X		
23	910.035.0	Spring Washer		X		X		B 12 M12 X 25  5 X 30 16 X 28 X 2.5 11 X 34 X 3
24	900.655.0	Hex Head Bolt		X		X		
25	274.565.0	Strap		X		X		
26	912.613.0	Roll Pin		X		X		
27	910.510.1	Washer		X		X		
29	910.353.0	Washer		X		X		
30	274.559.0	Tension Bracket		X		X		
31	908.225.0	Hex Nut		X		X	M20	
32	344.527.0	Spacer Tube		X		X		
33	908.758.0	Hex Nut		X		X	NM10	
34	908.500.0	Hex Nut		X		X	M10	
35	900.638.0	Hex Head Bolt		X		X	M10 X 35	
36	901.431.0	Hex Head Bolt		X		X	M10 X 40	

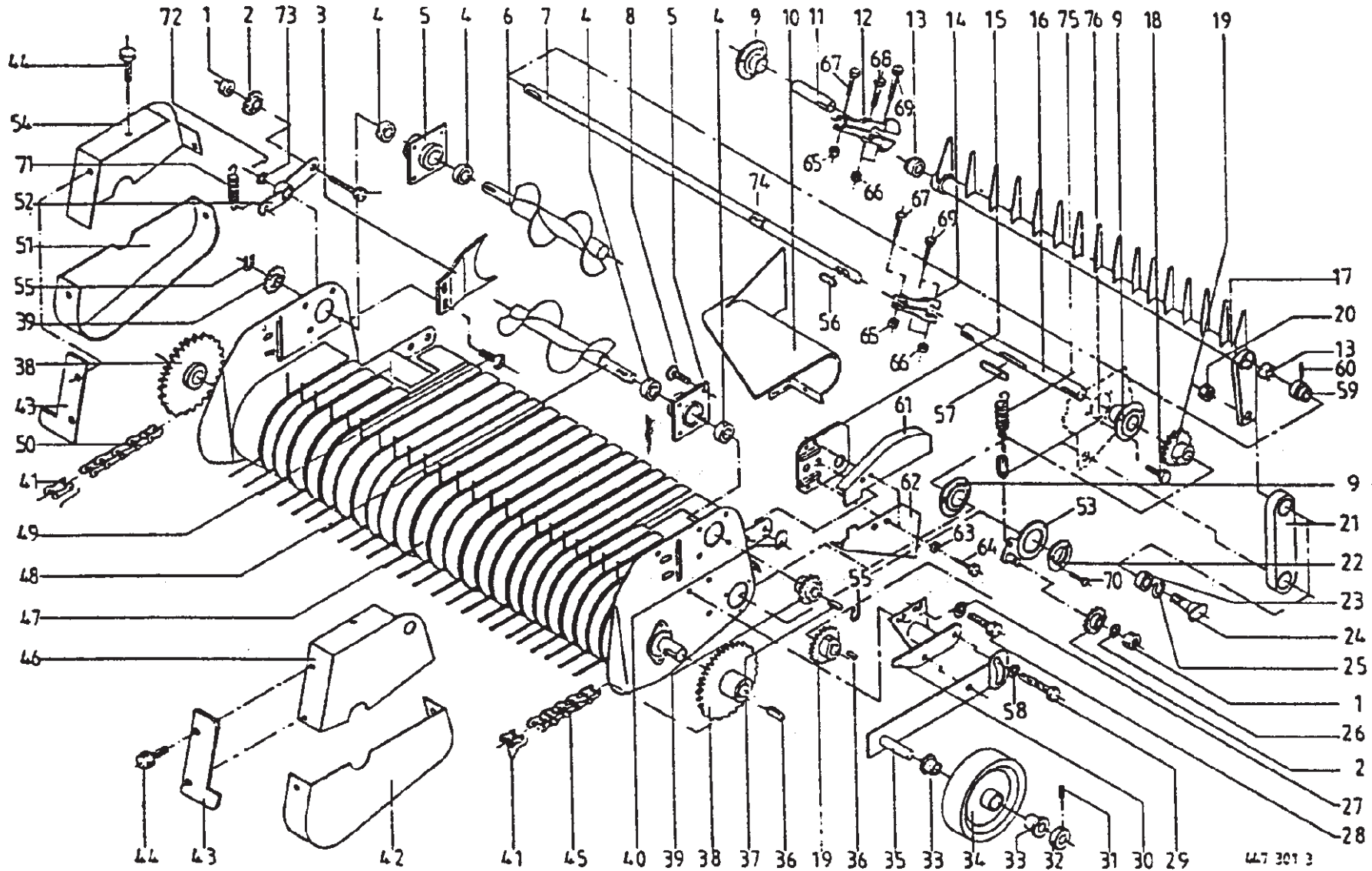


**Standard Pickup Mounting**

447 267 3

## Standard Pickup Mounting

Item	Part Number	Description	Serial # Ranges	KR-130B	KR-130D WP	KR-160B	KR-160D WP	Notes
37	274.696.0	Adjusting Screw		X		X		
38	274.522.3	Pickup Holder Left		X		X		
39	921.980.0	Master Link		X		X		3/4"
40	921.992.0	Offset Link		X		X		3/4"
41	921.804.0	Roller Chain		X		X		3/4" X 60 Ro. - Includes Items 39 & 40
42	910.515.0	Washer		X		X		30 X 50 X 4
43	915.542.0	Gib-Head Key		X		X		10 X 8 X 40
44	274.682.0	Sprocket		X		X		Z=24, T=3/4"
45	900.657.0	Hex Head Bolt		X		X		M12 X 35
46	910.035.0	Spring Washer		X		X		B 12
47	910.506.0	Washer		X		X		14 X 24 X 2.5
48	275.418.3	Guard		X		X		
49	274.592.0	Chain Hook L/H		X		X		
	274.511.0	Chain Hook R/H		X		X		
50	900.637.0	Hex Head Bolt		X		X		M10 X 30
51	908.215.0	Hex Nut		X		X		M12
52	274.267.1	Compression Rake Bracket Left		X		X		
55	905.922.0	Set Screw		X		X		M8 X 10
56	919.003.0	Grease Fitting		X		X		H1/S M8 X 1
57	911.317.0	Lock Collar		X		X		A 30
58	954.031.0	Plastic Bushing		X		X		30 X 37/42 X 25
59	954.027.0	Steel Gauge Wheel		X		X		320 X 80
60	274.482.1	Gauge Wheel Mount		X		X		
61	900.335.1	Hex Head Bolt		X		X		M16 X 30
62	910.362.0	Washer		X		X		17 X 40 X 6
66	900.636.0	Hex Head Bolt		X		X		M10 X 25
67	337.746.1	Cylinder End Piece		X		X		
70	274.567.0	Gauge Wheel Complete		X		X		Includes Items 56, 57, 59, 60

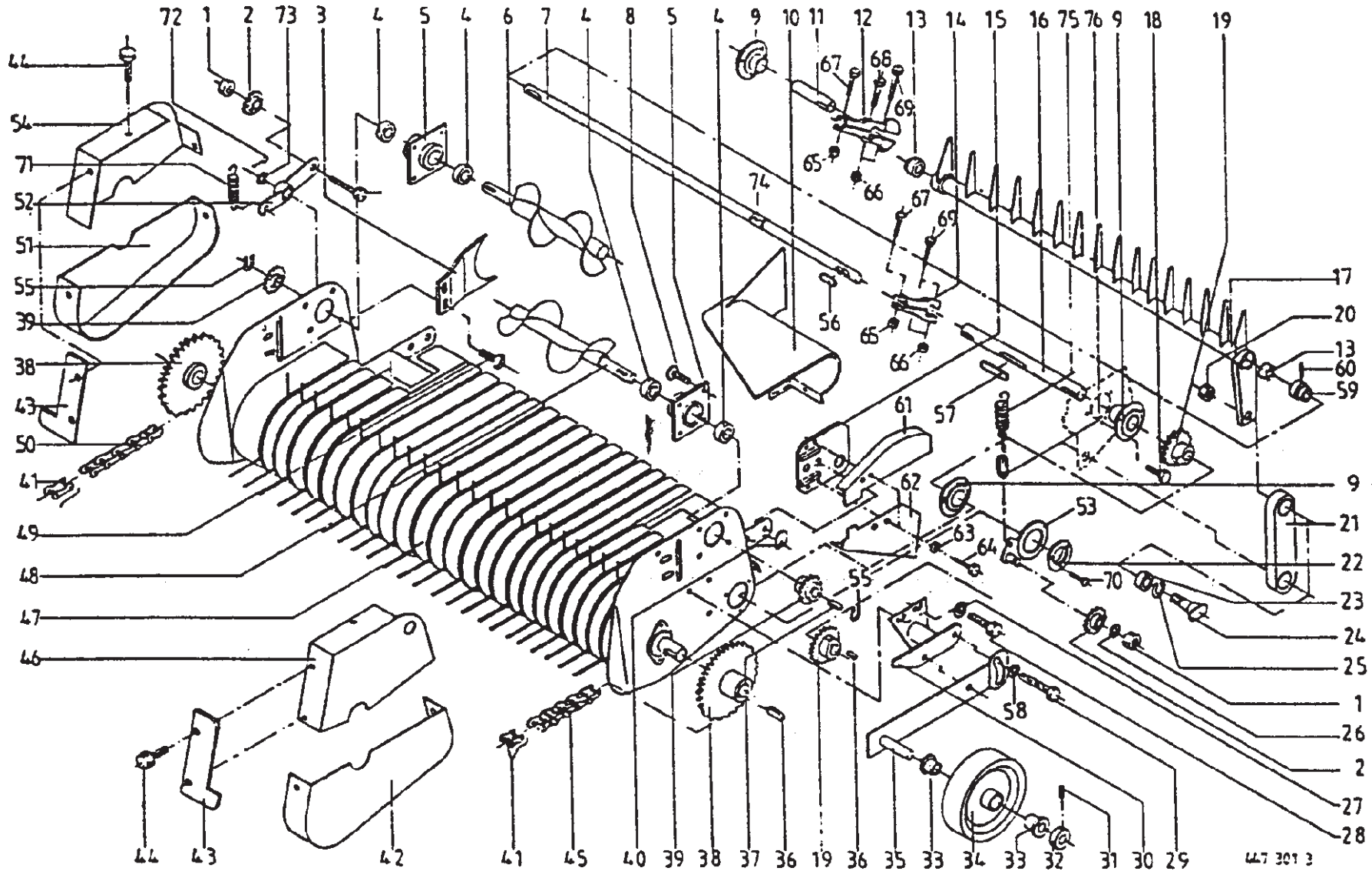


**Wide Pickup Feed Rake & Augers**



## Wide Pickup Feed Rake & Augers

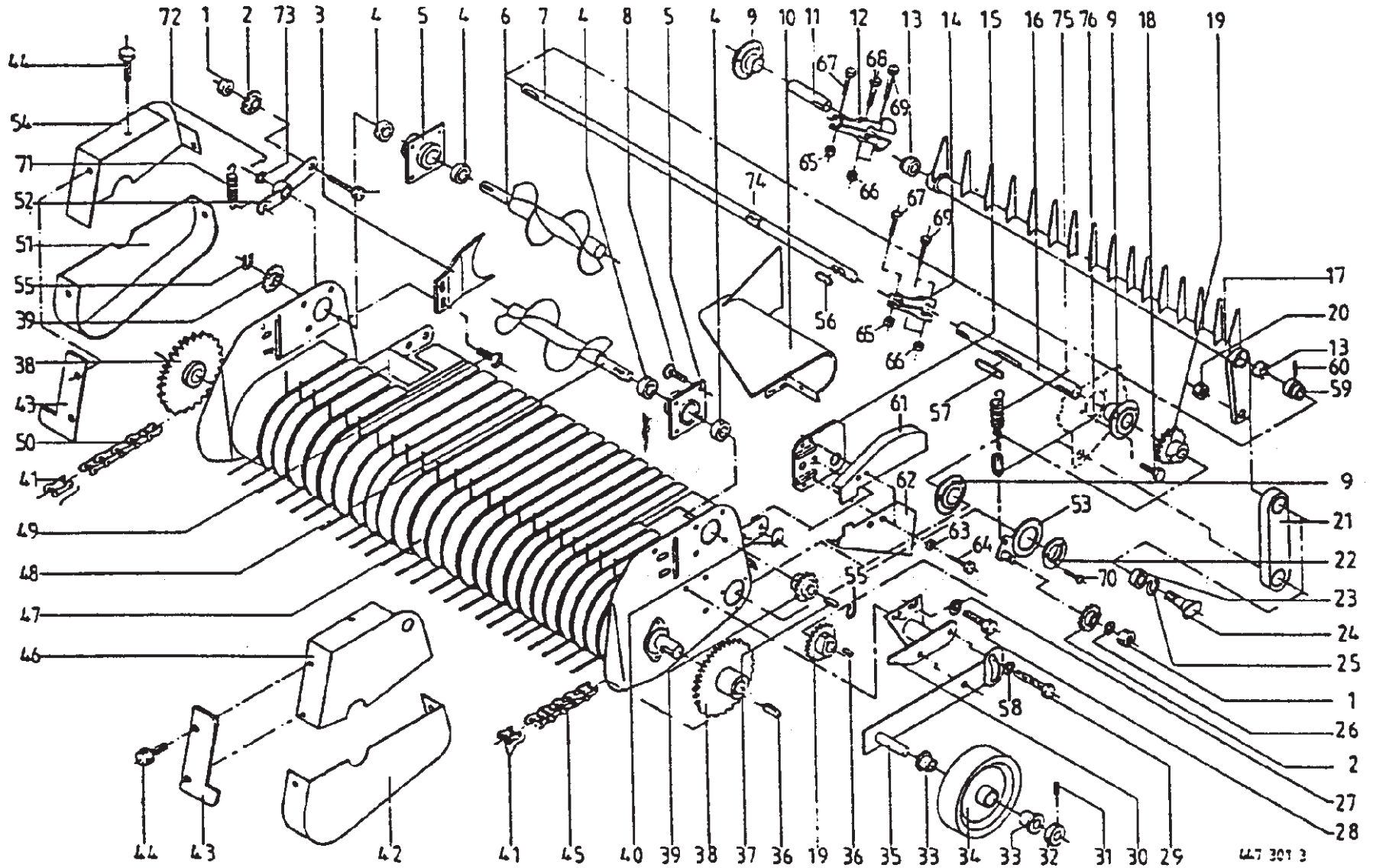
Item	Part Number	Description	Serial # Ranges	KR-130B	KR-130D WP	KR-160B	KR-160D WP	Notes
1	908.220.0	Hex Nut			X		X	M16
2	922.313.0	Sprocket			X		X	Z=13
3	938.207.0	Guide R/H			X		X	
	938.214.0	Guide L/H			X		X	
4	930.536.1	Bearing			X		X	6206 2RS
5	280.650.0	Feed Auger Bearing Housing			X		X	
6	280.653.0	Auger R/H			X		X	
7	280.644.0	Feed Rake Shaft			X		X	
8	904.850.1	Flat Round Bolt			X		X	M10 X 25
9	934.017.0	Flange Bearing			X		X	RA 35
10	938.213.1	Auger Hood L/H			X		X	
	938.206.1	Auger Hood R/H			X		X	
11	280.645.0	Feed Rake Bearing Shaft			X		X	
12	280.609.1	Crank Arm			X		X	
13	931.121.0	Bearing			X		X	3205 2RS
14	280.643.1	Feed Rake Strap			X		X	
15	280.716.0	Bearing Plate L/H			X		X	
	280.717.0	Bearing Plate R/H			X		X	
16	280.642.0	Drive Shaft			X		X	
17	938.234.0	Feed Rake			X		X	
18	900.636.0	Hex Head Bolt			X		X	M10 X 25
19	280.772.0	Sprocket			X		X	Z=17, T=3/4"
20	908.716.1	Hex Nut			X		X	NM16
21	280.610.0	Eccentric			X		X	
22	938.232.0	Flange L/H			X		X	
23	930.504.0	Bearing			X		X	6004 2RS
24	280.649.0	Threaded Bolt			X		X	
25	911.642.0	Circlip			X		X	I 42 X 1.75
26	910.510.1	Washer			X		X	16
27	910.035.0	Spring Washer			X		X	B 12
28	900.657.0	Hex Head Bolt			X		X	M12 X 35
29	900.335.1	Hex Head Bolt			X		X	M16 X 30
30	938.211.0	Gauge Wheel Support L/H			X		X	
	938.203.0	Gauge Wheel Support R/H			X		X	
31	905.922.0	Set Screw			X		X	M8 X 10
32	911.319.0	Lock Collar			X		X	A 30
33	954.031.0	Plastic Bushing			X		X	
34	954.027.0	Steel Gauge Wheel			X		X	320 X 80



**Wide Pickup Feed Rake & Augers**

## Wide Pickup Feed Rake & Augers

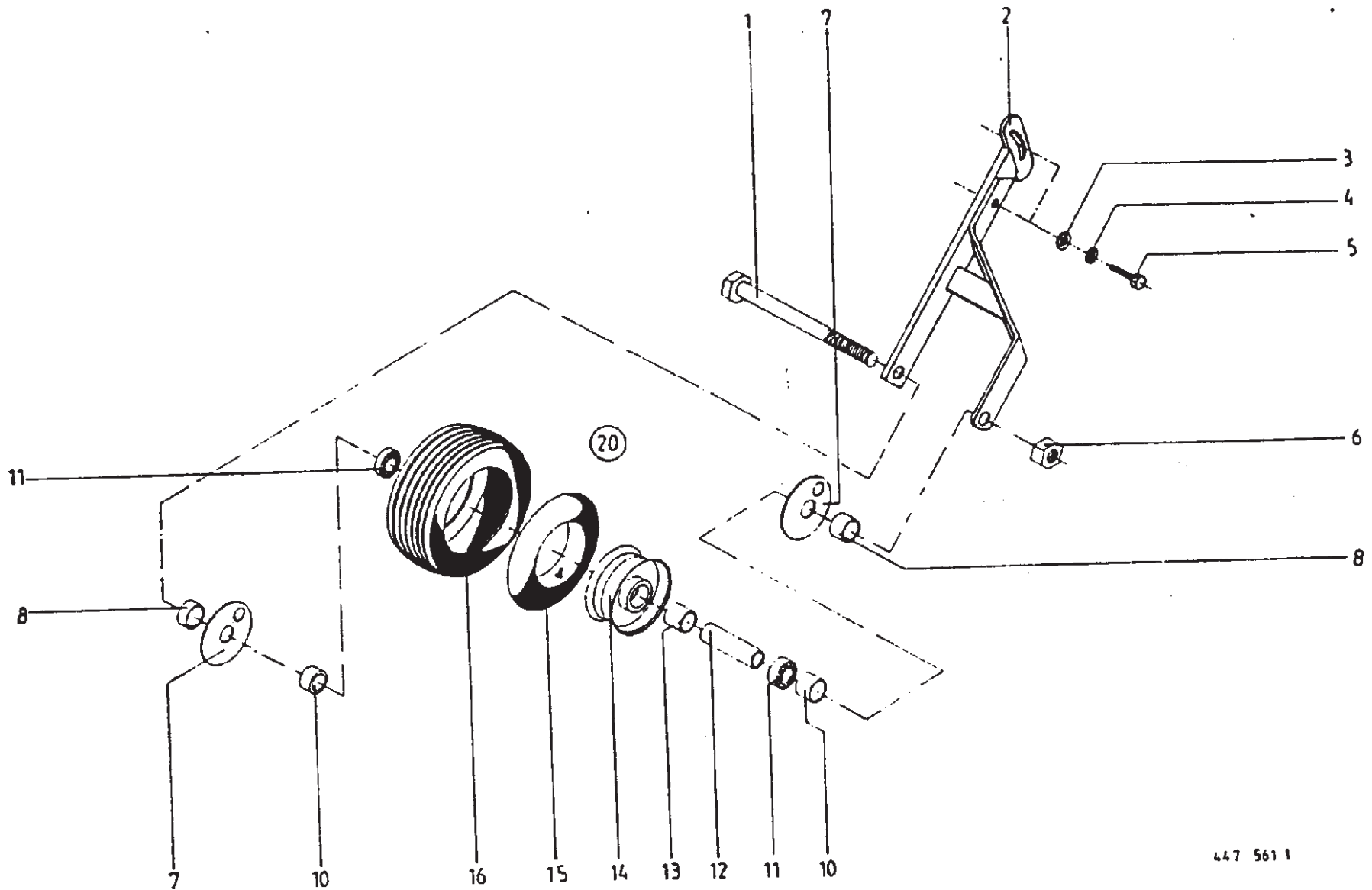
Item	Part Number	Description	Serial # Ranges	KR-130B	KR-130D WP	KR-160B	KR-160D WP	Notes
35	274.482.1	Gauge Wheel Mount			X		X	
36	915.122.0	Flat Key			X		X	A 10 X 8 X 40
37	915.108.0	Flat Key			X		X	A 10 X 8 X 30
38	280.608.0	Sprocket			X		X	Z=40, T=3/4"
39	280.773.0	Sprocket			X		X	Z=17, T=3/4"
40	275.687.0	Tensioner			X		X	
41	921.980.0	Master Link			X		X	3/4"
42	938.215.1	Lower Chain Guard L/H			X		X	
43	938.208.0	Compression Rake Support			X		X	
44	900.255.1	Hex Head Bolt			X		X	M8 X 16
45	921.714.0	Roller Chain			X		X	3/4" X 72 Ro.
46	938.224.0	Upper Chain Guard L/H			X		X	
47	938.022.1	Wide Pickup Complete			X		X	
48	280.652.0	Auger L/H			X		X	
49	904.732.1	Flat Round Bolt			X		X	M8 X 25
50	921.821.0	Roller Chain			X		X	3/4" X 62 Ro.
51	938.209.0	Lower Chain Guard R/H			X		X	
52	938.230.1	Chain Tensioner R/H			X		X	
53	938.231.0	Chain Tensioner L/H			X		X	
54	938.225.0	Upper Chain Guard R/H			X		X	
55	911.536.0	Circlip			X		X	30 X 2.0
56	915.070.0	Flat Key			X		X	A 8 X 7 X 30
57	915.134.0	Flat Key			X		X	A 10 X 8 X 80
58	910.362.0	Washer			X		X	17 X 40 X 6
59	938.233.0	Lock Collar			X		X	
60	905.922.0	Set Screw			X		X	M8 X 10
61	280.731.0	Upper Guard L/H			X		X	
62	280.732.0	Lower Guard L/H			X		X	
63	910.033.0	Spring Washer			X		X	B 8
64	900.610.0	Hex Head Bolt			X		X	M8 X 10
65	908.706.0	Hex Nut			X		X	NM8
66	908.758.0	Hex Nut			X		X	NM10
67	901.423.0	Hex Head Bolt			X		X	M8 X 50
68	901.433.0	Hex Head Bolt			X		X	M10 X 50
69	901.436.0	Hex Head Bolt			X		X	M10 X 65
70	904.048.1	Countersunk Screw			X		X	M10 X 40
71	015.420.2	Tension Spring			X		X	
72	912.067.1	Cotter Pin			X		X	4 X 32



**Wide Pickup Feed Rake & Augers**

## Wide Pickup Feed Rake & Augers

Item	Part Number	Description	Serial # Ranges	KR-130B	KR-130D WP	KR-160B	KR-160D WP	Notes
73	910.514.1	Washer			X		X	26
74	935.901.0	Bushing			X		X	
75	270.181.0	Tension Spring			X		X	
76	922.611.0	Chain Link			X		X	

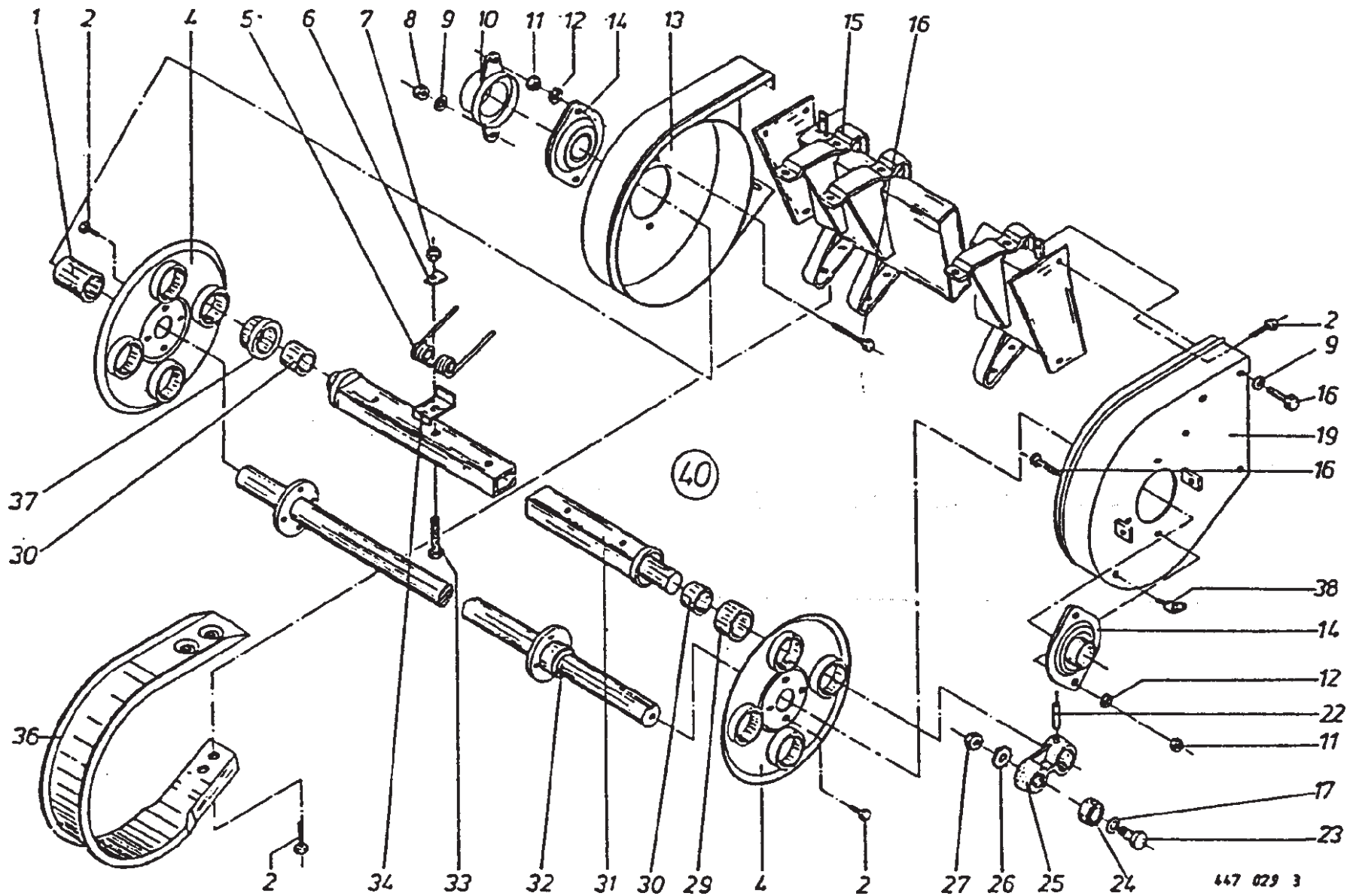


447 561 1

**Gauge Wheels - Pneumatic**

## Gauge Wheels - Pneumatic

Item	Part Number	Description	Serial # Ranges	KR-130B	KR-130D WP	KR-160B	KR-160D WP	Notes
1	901.152.2	Hex Head Bolt		X	X	X	X	M16 X 220
2	275.810.1	Gauge Wheel Bracket		X	X	X	X	
3	910.362.0	Washer		X	X	X	X	17 X 40 X 6
4	910.014.0	Spring Washer		X	X	X	X	B 16
5	900.335.1	Hex Head Bolt		X	X	X	X	M16 X 30
6	908.716.1	Hex Nut		X	X	X	X	NM16
7	335.429.0	Anti-Wrap Guard		X	X	X	X	
8	335.430.0	Bushing		X	X	X	X	33.7 X 5.6 X 21
10	335.428.0	Bushing		X	X	X	X	33.7 X 5.6 X 31
11	930.535.0	Bearing		X	X	X	X	6205 2RS
12	335.426.1	Bushing		X	X	X	X	26.9 X 5 X 169
13	938.831.0	Spacer Tube		X	X	X	X	Rd. 30 X 1.5 X 34
14	953.184.0	Rim		X	X	X	X	4.50 A - 6
15	953.339.0	Inner Tube	355757 & Later	X	X	X	X	15 X 6.00-6 TR 13
	953.330.0	Inner Tube	355756 & Prior	X	X	X	X	13 X 6.50-8 TR 13
16	953.267.0	Tire	355757 & Later	X	X	X	X	15 X 6.00-6 RT 4 Ply
	953.262.0	Tire	355756 & Prior	X	X	X	X	13 X 6.50-6 RT 2 Ply
20	953.097.0	Wheel Complete	355757 & Later	X	X	X	X	15 X 6.00-6 4 PR-RT - Items 11, 13-16
	953.084.0	Wheel Complete	355756 & Prior	X	X	X	X	13 X 6.50-6 4 PR-RT - Items 11, 13-16



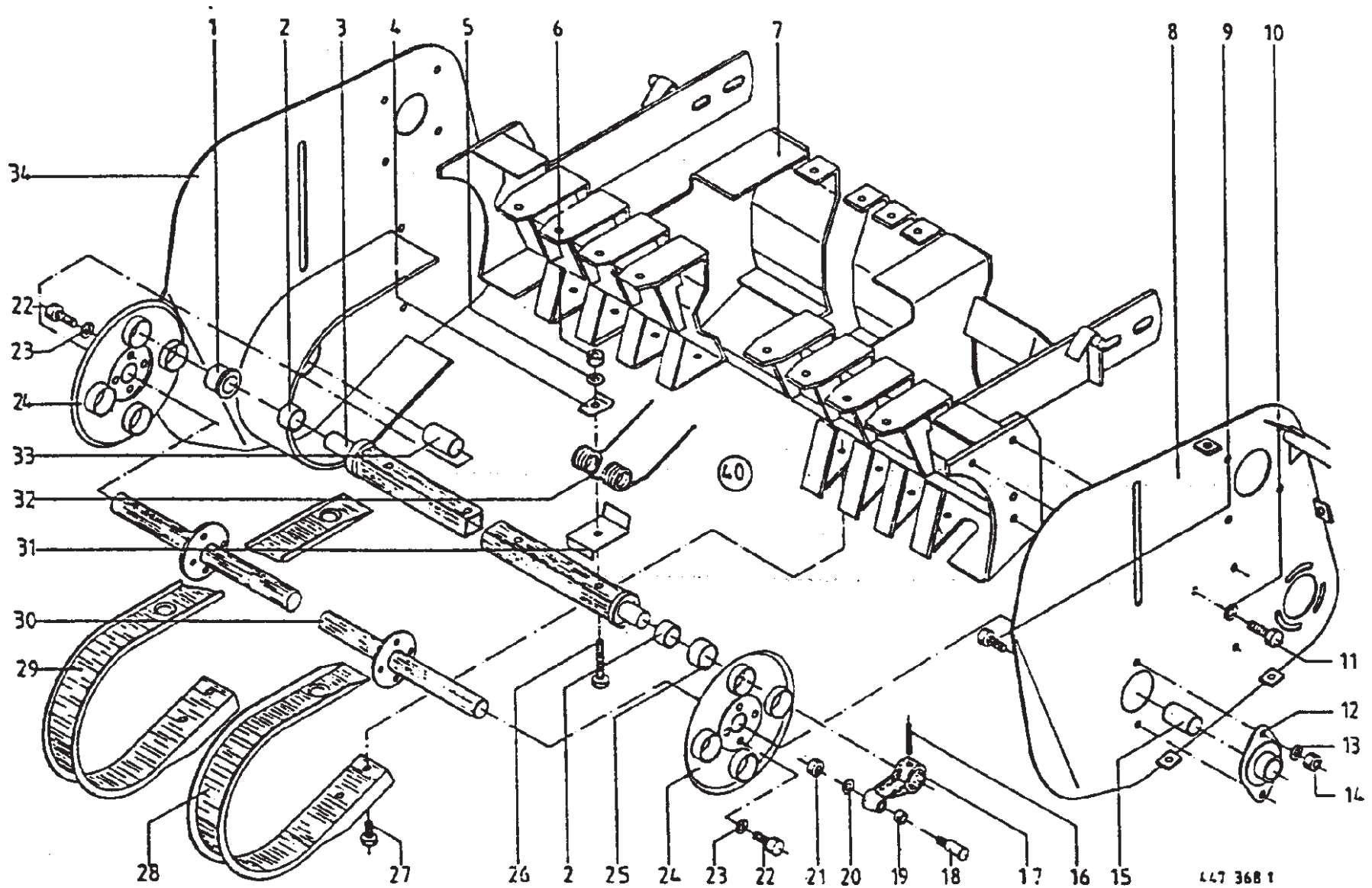
447 029 3

**Standard Pickup Drum**



## Standard Pickup Drum

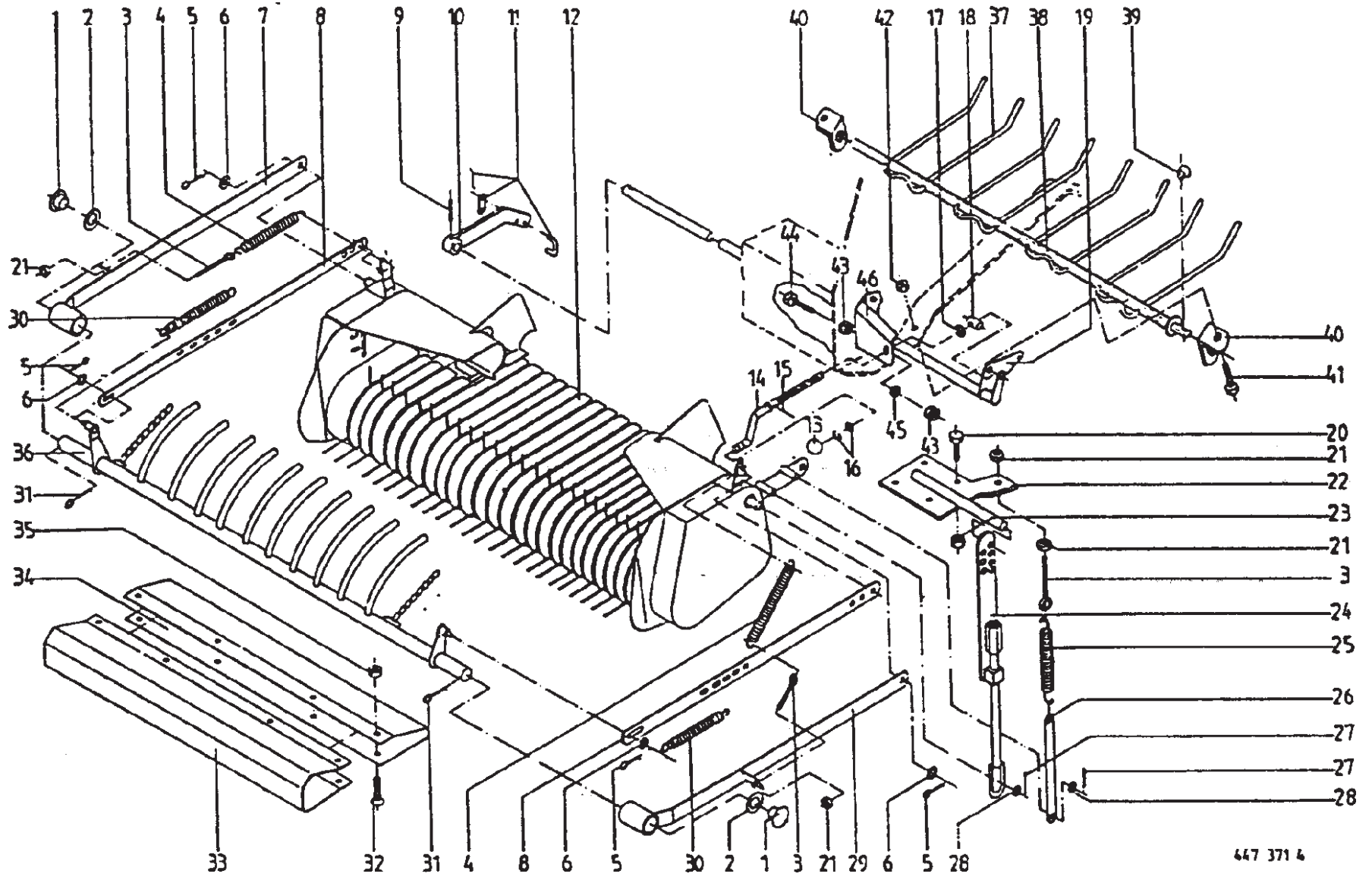
Item	Part Number	Description	Serial # Ranges	KR-130B	KR-130D WP	KR-160B	KR-160D WP	Notes
1	938.107.1	Spacer Tube		X		X		34 X 1 X 63 M8 X 16
2	900.255.1	Hex Head Bolt		X		X		
4	938.142.1	Bearing Plate		X		X		
5	938.158.0	Spring Tine		36		36		
6	938.159.0	Tine Holder		36		36		
7	908.706.0	Hex Nut		36		36		
8	908.512.0	Hex Nut		X		X		
9	910.414.0	Washer		X		X		
10	937.928.0	Protecting Cap		X		X		
11	908.212.0	Hex Nut		X		X		
12	910.111.1	Spring Washer		X		X		B 10  AELPFL 206
13	938.160.0	End Plate R/H		X		X		
14	934.006.1	Flange Bearing		X		X		
15	938.161.1	Scraper Bar		X		X		
16	900.638.0	Hex Head Bolt		X		X		M10 X 35
17	938.131.1	Washer		4		4		15.5 X 23 X 3
19	938.162.1	End Plate L/H		X		X		
22	912.452.0	Roll Pin		4		4		8 X 45
23	938.080.1	Bolt		4		4		
24	938.081.0	Bearing		4		4		LR 5202
25	938.136.1	Eccentric Arm		4		4		14.5 M14
26	909.850.0	Serrated Washer		4		4		
27	908.518.1	Hex Nut		4		4		
29	937.982.0	Clamping Bushing		4		4		
30	935.900.0	Tensioning Bushing		8		8		
31	938.156.0	Tine Carrier		4		4		M8 X 55
32	938.137.1	Drive Shaft		X		X		
33	901.046.0	Hex Head Bolt		36		36		
34	938.154.1	Spring Saddle		36		36		
36	938.157.0	Scraper		15		15		
	938.163.0	Scraper L/H		1		1		H2/S M8 X 1 Includes Items 1-38
	938.164.0	Scraper R/H		1		1		
37	938.068.0	Collar Bushing		4		4		
38	919.103.0	Grease Fitting		X		X		
40	274.563.4	Pickup Complete		X		X		



**Wide Pickup Drum**

## Wide Pickup Drum

Item	Part Number	Description	Serial # Ranges	KR-130B	KR-130D WP	KR-160B	KR-160D WP	Notes
1	938.068.0	Collar Bushing			4		4	36 X 42/48 X 33
2	935.900.0	Tensioning Bushing			8		8	30/36 X 30
3	938.199.0	Tine Carrier			4		4	
4	938.052.0	Tine Holder			48		48	
5	910.603.0	Washer			48		48	8.4 X 24 X 2
6	908.706.0	Hex Nut			48		48	NM8
7	938.201.1	Scraper Bar			X		X	
8	938.196.1	End Plate L/H			X		X	
9	900.636.0	Hex Head Bolt			X		X	M10 X 25
10	910.035.0	Spring Washer			X		X	B 12
11	900.657.0	Hex Head Bolt			X		X	M12 X 35
12	934.006.1	Flange Bearing			X		X	AELPFL 206
13	910.111.1	Spring Washer			X		X	B 10
14	908.758.0	Hex Nut			X		X	NM10
15	938.051.1	Spacer Tube			X		X	34 X 1 X 67
16	912.452.0	Roll Pin			4		4	8 X 45
17	938.135.0	Eccentric Arm			4		4	
18	938.080.1	Bolt			4		4	
19	938.081.0	Bearing			4		4	LR 5202
20	909.850.0	Serrated Washer			4		4	A 14.5
21	908.518.1	Hex Nut			4		4	M14
22	900.614.0	Hex Head Bolt			X		X	M8 X 20
23	910.033.0	Spring Washer			X		X	B 8
24	937.953.0	Bearing Plate			X		X	
25	937.982.0	Clamping Bushing			4		4	EP 43/37 X 30
26	901.425.0	Hex Head Bolt			48		48	M8 X 60
27	900.255.1	Hex Head Bolt			92		92	M8 X 16
28	938.197.1	Scraper Outside			8		8	
29	938.198.1	Scraper Middle			15		15	
30	938.200.0	Drive Shaft			X		X	
31	938.154.1	Spring Saddle			48		48	
32	938.040.3	Double Tine			48		48	
33	938.107.1	Spacer Tube			X		X	34 X 1 X 63
34	938.202.1	End Plate R/H			X		X	
40	938.022.1	Pickup Complete			X		X	Includes Items 1-34

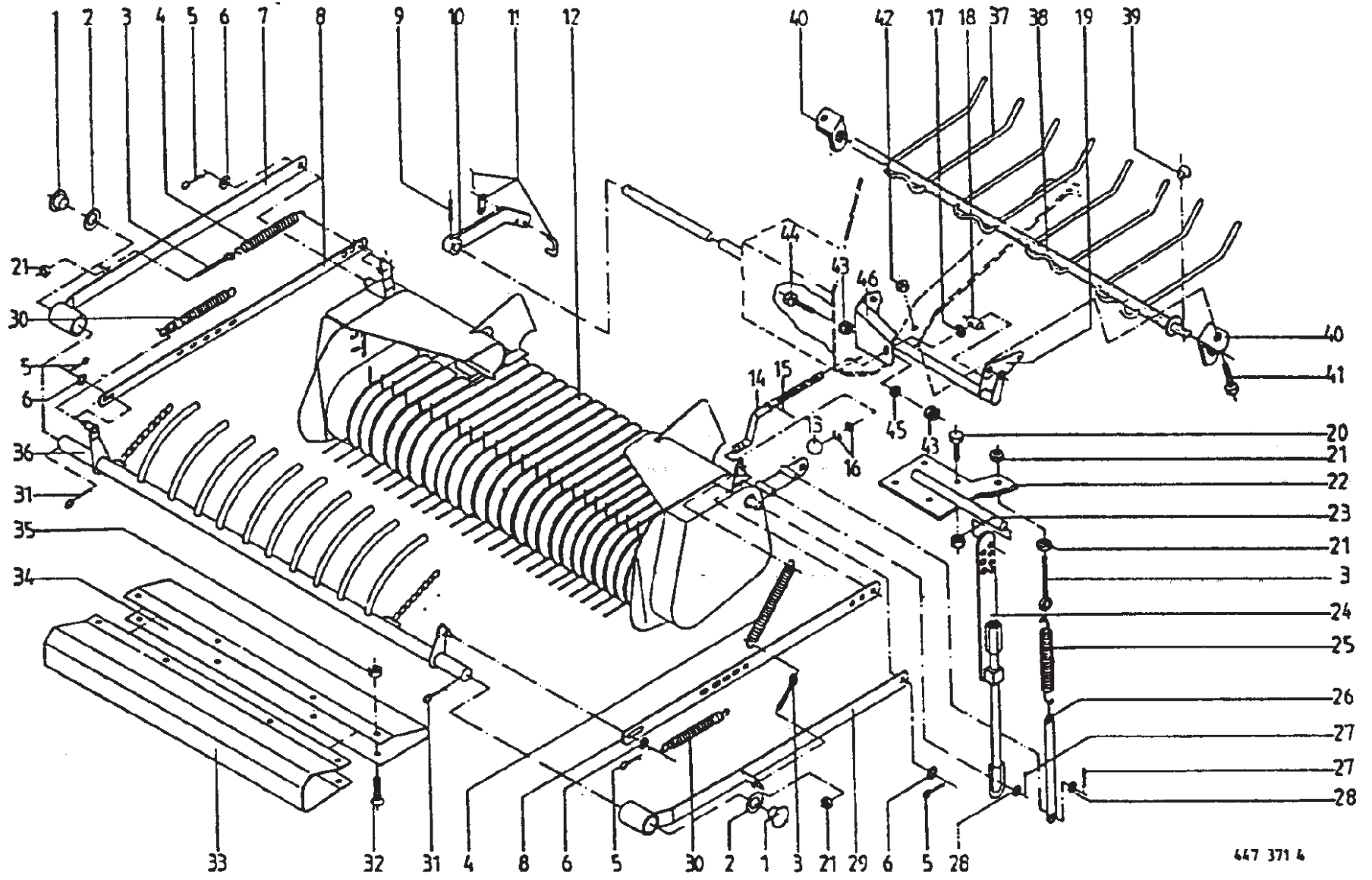


647 371 6

**Wide Pickup Baffle Plate & Compressing Rake**

## Wide Pickup Baffle Plate & Compressing Rake

Item	Part Number	Description	Serial # Ranges	KR-130B	KR-130D WP	KR-160B	KR-160D WP	Notes
1	925.008.0	Plastic Guard			X		X	45 X 55 X 1.0 M10 X 110 4 X 20
2	910.899.0	Shim			X		X	
3	905.338.0	Eye Bolt			X		X	
4	345.432.1	Tension Spring			X		X	
5	912.063.1	Cotter Pin			X		X	
6	910.315.3	Washer			X		X	A 13 10 X 55
7	938.228.0	Arm R/H			X		X	
8	938.229.0	Adjusting Bracket			X		X	
9	912.717.0	Roll Pin			X		X	
10	280.659.2	Lever			X		X	
11	922.605.1	Connecting Link			X		X	5 X 26
12	938.022.1	Pickup Complete			X		X	
13	919.501.0	Ball Knob			X		X	
14	280.671.1	Crank			X		X	
15	912.611.1	Roll Pin			X		X	
16	911.903.0	Snap Ring			X		X	B 16 X 2.4 17.5 X 35 X 2 M8 X 25
17	910.621.0	Washer			X		X	
18	280.672.0	Annular Nut			X		X	
19	280.667.2	Lift Tube			X		X	
20	900.616.0	Hex Head Bolt			X		X	
21	908.212.0	Hex Nut			X		X	M10 NM8
22	275.695.0	Cylinder Mount L/H			X		X	
	275.697.1	Cylinder Mount R/H			X		X	
23	908.706.0	Hex Nut			X		X	
24	274.877.0	Limit Rod			X		X	460mm Long 610mm Long 4 X 32
	275.720.0	Limit Rod					X	
25	491.910.1	Tension Spring			X		X	
26	275.735.0	Tension Bracket			X		X	
	274.847.0	Tension Bracket					X	
27	912.583.1	Roll Pin			X		X	
28	910.621.0	Washer			X		X	17.5 X 35 X 2 6.3 X 50 M8 X 60
29	938.227.0	Arm L/H			X		X	
30	274.327.2	Tension Spring			X		X	
31	912.111.1	Cotter Pin			X		X	
32	904.819.0	Flat Round Bolt			X		X	
33	280.621.0	Rear Compressing Rake Plate			X		X	NM16
34	280.620.0	Front Compressing Rake Plate			X		X	
35	908.716.1	Hex Nut			X		X	



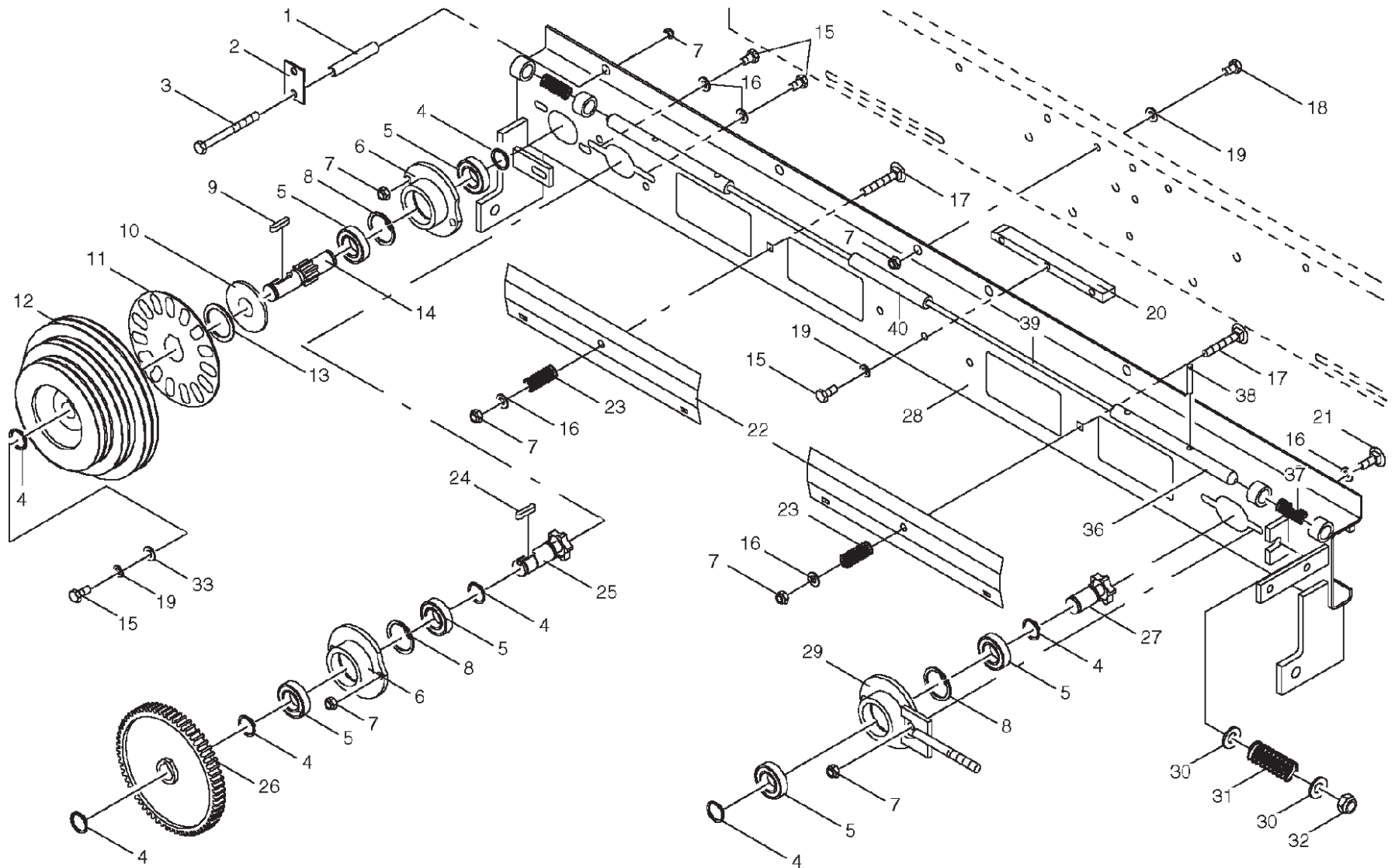
647 371 6

**Wide Pickup Baffle Plate & Compressing Rake**

## Wide Pickup Baffle Plate & Compressing Rake

Item	Part Number	Description	Serial # Ranges	KR-130B	KR-130D WP	KR-160B	KR-160D WP	Notes
36	938.226.0	Compressing Rake			X		X	
37	280.746.0	Compressing Rake Tines			X		X	
38	280.748.0	Tube			X		X	
39	917.011.0	Lynch Pin			X		X	10 X 45
40	280.747.0	Mounting Bracket			X		X	
41	900.656.0	Hex Head Bolt			X		X	M12 X 30
42	908.711.1	Hex Nut			X		X	NM12
43	908.215.0	Hex Nut			X		X	M12
44	900.657.0	Hex Head Bolt			X		X	M12 X 35
45	910.035.0	Spring Washer			X		X	B 12
46	280.673.3	Crank Support			X		X	





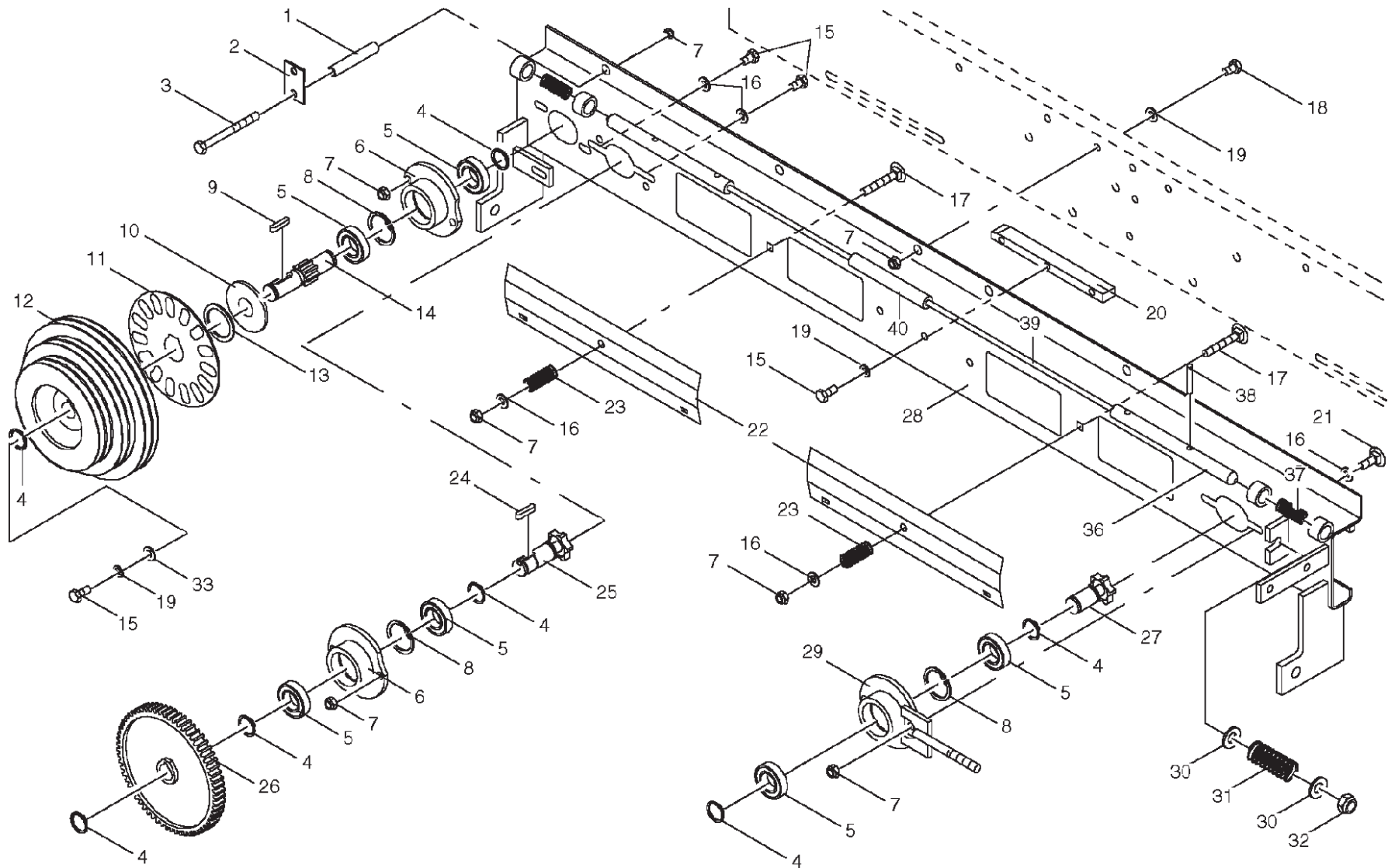
447 599 2

# Double Twine Tying Mechanism



## Double Twine Tying Mechanism

Item	Part Number	Description	Serial # Ranges	KR-130B	KR-130D WP	KR-160B	KR-160D WP	Notes
1	344.808.0	Spacer Tube		X	X	X	X	For Comfort Electronics Only
2	275.986.0	Sensor Holder		X	X	X	X	For Comfort Electronics Only
3	901.009.0	Hex Head Bolt		X	X	X	X	For Comfort Electronics Only - M8 X 90
4	911.522.0	Circlip		X	X	X	X	A20 X 1.2
5	930.504.0	Bearing		X	X	X	X	6004 2RS
6	280.052.3	Bearing Housing		X	X	X	X	
7	908.706.0	Hex Nut		X	X	X	X	NM8
8	911.642.0	Circlip		X	X	X	X	I42 X 1.75
9	915.047.0	Flat Key		X	X	X	X	A 6 X 6 X 28
10	910.331.0	Washer		X	X	X	X	For Comfort Electronics Only - A 21
11	274.883.3	Indicator Disc		X	X	X	X	For Comfort Electronics Only
12	275.628.1	Drive Pulley		X	X	X	X	
13	911.136.1	Shim		X	X	X	X	For Comfort Elec. Only - 35 X 42 X 2.0
14	275.675.0	Pinion Shaft		X	X	X	X	Z=8
15	900.614.0	Hex Head Bolt		X	X	X	X	M8 X 20
16	910.413.0	Washer		X	X	X	X	A8.4
17	904.817.0	Flat Round Bolt		X	X	X	X	M8 X 50
18	900.612.0	Hex Head Bolt		X	X	X	X	M8 X 16
19	910.033.0	Spring Washer		X	X	X	X	B8
20	280.051.1	Chain Guide		X	X	X	X	
21	904.951.2	Flat Round Bolt		X	X	X	X	M8 X 20
22	274.951.1	Cover		X	X	X	X	
23	274.949.0	Tension Spring		X	X	X	X	
24	915.043.0	Flat Key		X	X	X	X	A 6 X 6 X 14
25	280.054.2	Chain Wheel		X	X	X	X	Z=6
26	280.056.1	Spur Gear		X	X	X	X	Z=62
27	280.457.2	Chain Wheel		X	X	X	X	Z=6
28	273.395.0	Guide Rail		X	X	X	X	
29	273.194.0	Tensioner		X	X	X	X	
30	910.506.0	Washer		X	X	X	X	13 X 24 X 2.5
31	036.127.1	Pressure Spring		X	X	X	X	
32	908.711.1	Hex Nut		X	X	X	X	NM12
33	910.603.0	Washer		X	X	X	X	For Comfort Electronics Only - A 8.4
34	910.033.0	Spring Washer		X	X	X	X	For Comfort Electronics Only - B 8
35	900.614.0	Hex Head Bolt		X	X	X	X	For Comfort Electronics Only - M8 X 20
36	337.238.4	Bolt		X	X	X	X	
37	132.189.1	Pressure Spring		X	X	X	X	
38	912.638.1	Roll Pin		X	X	X	X	6 X 24

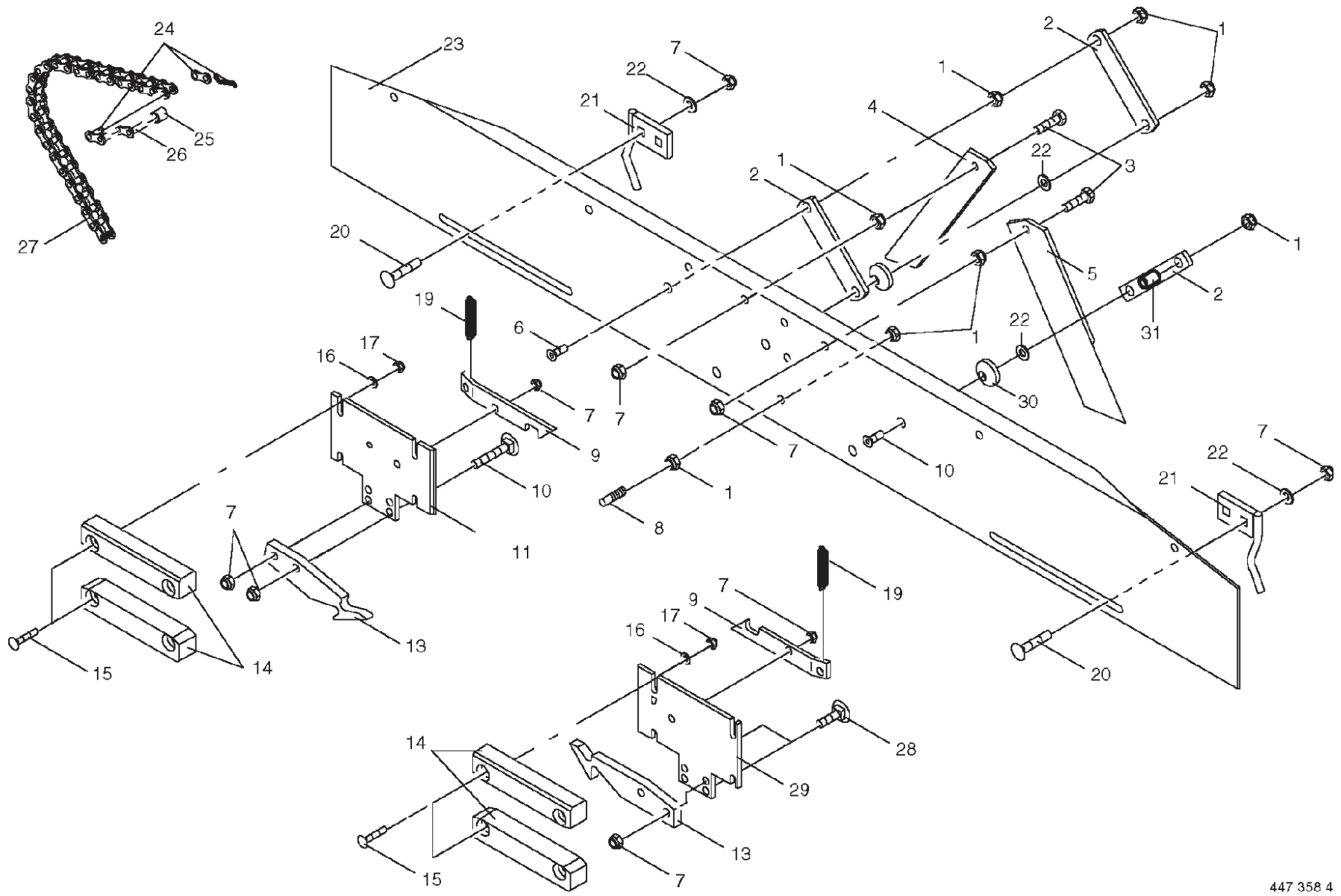


447 599 2

# Double Twine Tying Mechanism

## Double Twine Tying Mechanism

Item	Part Number	Description	Serial # Ranges	KR-130B	KR-130D WP	KR-160B	KR-160D WP	Notes
39	273.445.0	Cable		X	X	X	X	Rd. 4 X 1065
40	337.296.0	Rubber Hold		X	X	X	X	

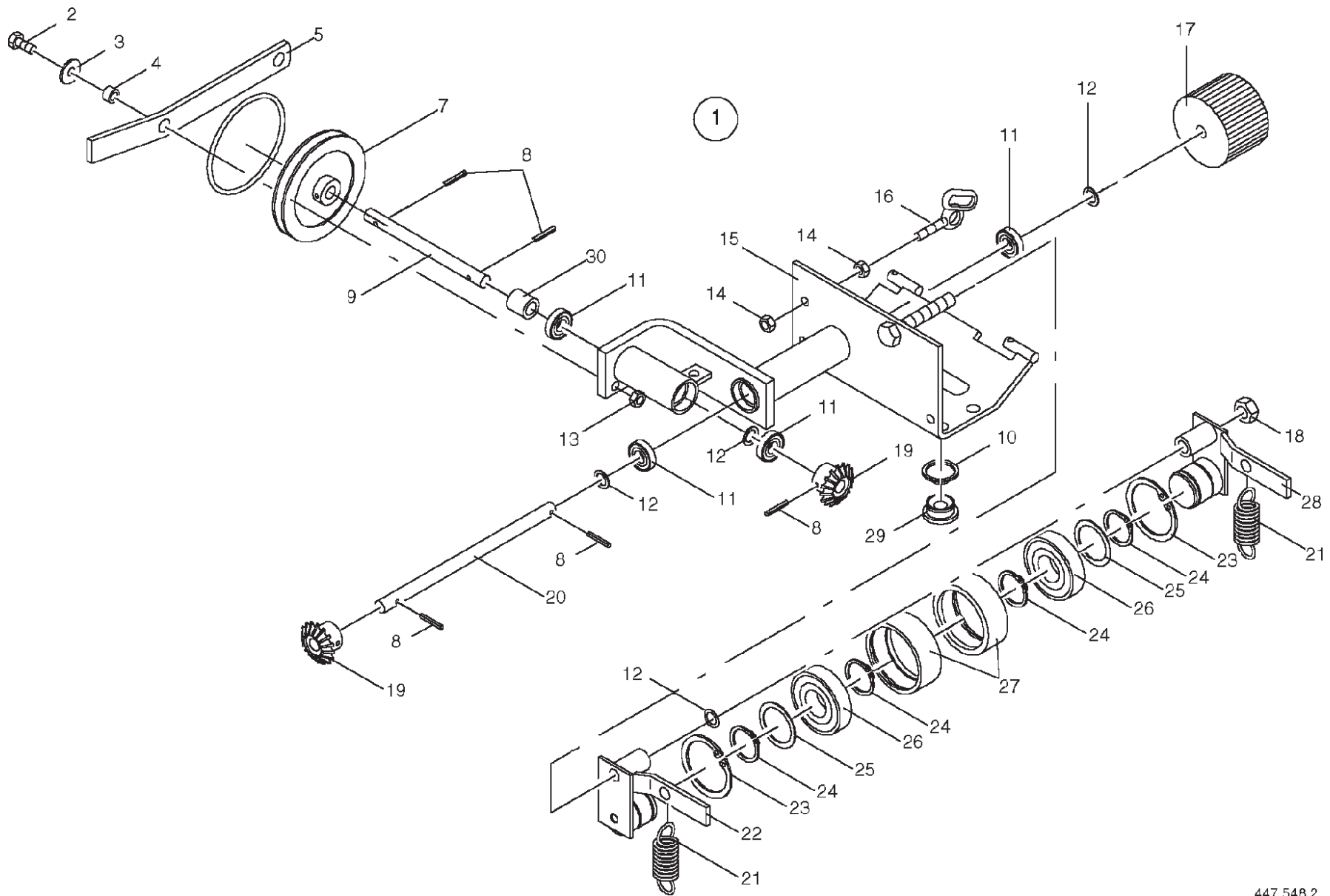


447 358 4

# Double Twine Tying Cutting Unit

## Double Twine Tying Cutting Unit

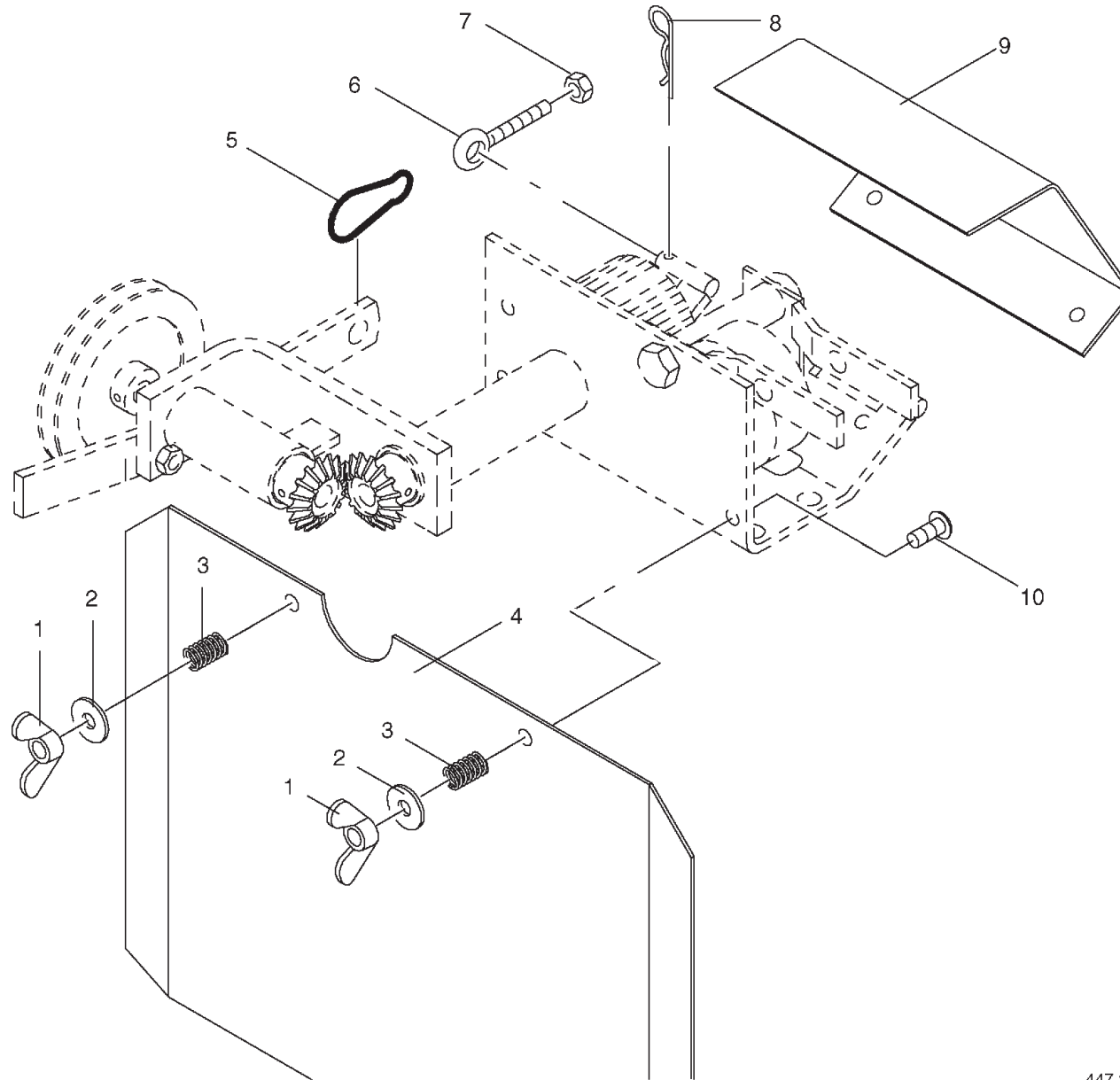
Item	Part Number	Description	Serial # Ranges	KR-130B	KR-130D WP	KR-160B	KR-160D WP	Notes
1	908.210.0	Hex Nut		X	X	X	X	M8
2	280.234.3	Knife Holder		X	X	X	X	
3	900.617.0	Hex Head Bolt		X	X	X	X	M8 X 30
4	275.629.1	Knife R/H		X	X	X	X	
5	280.221.5	Knife L/H		X	X	X	X	
6	904.025.0	Countersunk Screw		X	X	X	X	M8 X 25
7	908.706.0	Hex Nut		X	X	X	X	NM8
8	906.405.0	Pin		X	X	X	X	
9	275.612.1	Ratchet		X	X	X	X	
10	904.816.0	Flat Round Bolt		X	X	X	X	M8 X 45
11	275.859.0	Plate R/H		X	X	X	X	
12	275.853.0	Spacer		X	X	X	X	
13	275.860.0	Twine Guide		X	X	X	X	
14	275.611.1	Slide		X	X	X	X	
15	904.714.0	Flat Round Bolt		X	X	X	X	M6 X 65
16	910.411.1	Washer		X	X	X	X	A6.4
17	908.208.0	Hex Nut		X	X	X	X	M6
18	912.634.0	Roll Pin		X	X	X	X	6 X 16
20	904.732.1	Flat Round Bolt		X	X	X	X	M8 X 25
21	275.674.1	Twine Limiter		X	X	X	X	
22	910.413.0	Washer		X	X	X	X	A8.4
23	275.608.1	Twine Guide Plate		X	X	X	X	
24	921.983.0	Master Link		X	X	X	X	5/8"
25	280.098.1	Bushing		X	X	X	X	
26	921.999.0	Offset Link		X	X	X	X	5/8"
27	920.301.0	Roller Chain		X	X	X	X	5/8" X 64 Ro.
28	904.732.1	Flat Round Bolt		X	X	X	X	M8 X 25
29	275.858.0	Plate L/H		X	X	X	X	
30	273.437.0	Eccentric Disc		X	X	X	X	



# Manual Twine Starter

## Manual Twine Starter

Item	Part Number	Description	Serial # Ranges	KR-130B	KR-130D WP	KR-160B	KR-160D WP	Notes
1	273.446.0	Starter Complete		X	X	X	X	M8 X 30 A8.4
2	900.617.0	Hex Head Bolt		X	X	X	X	
3	910.603.0	Washer		X	X	X	X	
4	271.262.1	Bushing		X	X	X	X	
5	275.438.2	Starter Lever		X	X	X	X	
6	937.517.0	O-Ring		X	X	X	X	90.0 X 10
7	275.630.0	Friction Wheel		X	X	X	X	4 X 26
8	912.582.0	Roll Pin		X	X	X	X	
9	273.472.0	Drive Shaft		X	X	X	X	A20 X 1.2
10	911.522.0	Circlip		X	X	X	X	
11	930.100.0	Bearing		X	X	X	X	6001 2RS
12	910.807.0	Shim		X	X	X	X	12 X 18 X .3
	910.802.0	Shim		X	X	X	X	12 X 18 X .5
	910.803.0	Shim		X	X	X	X	12 X 18 X 1.0
13	908.706.0	Hex Nut		X	X	X	X	NM8
14	908.210.0	Hex Nut		X	X	X	X	M8
15	273.440.0	Starter Housing		X	X	X	X	M8 X 30
16	275.861.0	Double Eye Bolt		X	X	X	X	
17	275.835.0	Starter Roller		X	X	X	X	NM12
18	908.711.0	Hex Nut		X	X	X	X	
19	275.430.0	Pinion		X	X	X	X	Z=16
20	273.473.0	Shaft		X	X	X	X	I62 X 2.0
21	939.634.1	Tension Spring		X	X	X	X	
22	275.849.0	Lower Roller Guide		X	X	X	X	
23	911.659.0	Circlip		X	X	X	X	
24	911.541.0	Circlip		X	X	X	X	
25	911.132.0	Shim		X	X	X	X	35 X 45 X .3
	911.133.0	Shim		X	X	X	X	35 X 45 X .5
	911.134.0	Shim		X	X	X	X	35 X 45 X 1.0
26	930.507.0	Bearing		X	X	X	X	6007 2RS
27	280.405.3	Starter Roller		X	X	X	X	
28	275.848.0	Top Roller Guide		X	X	X	X	
29	938.974.2	Eyelet		X	X	X	X	
30	273.449.0	Bushing		X	X	X	X	



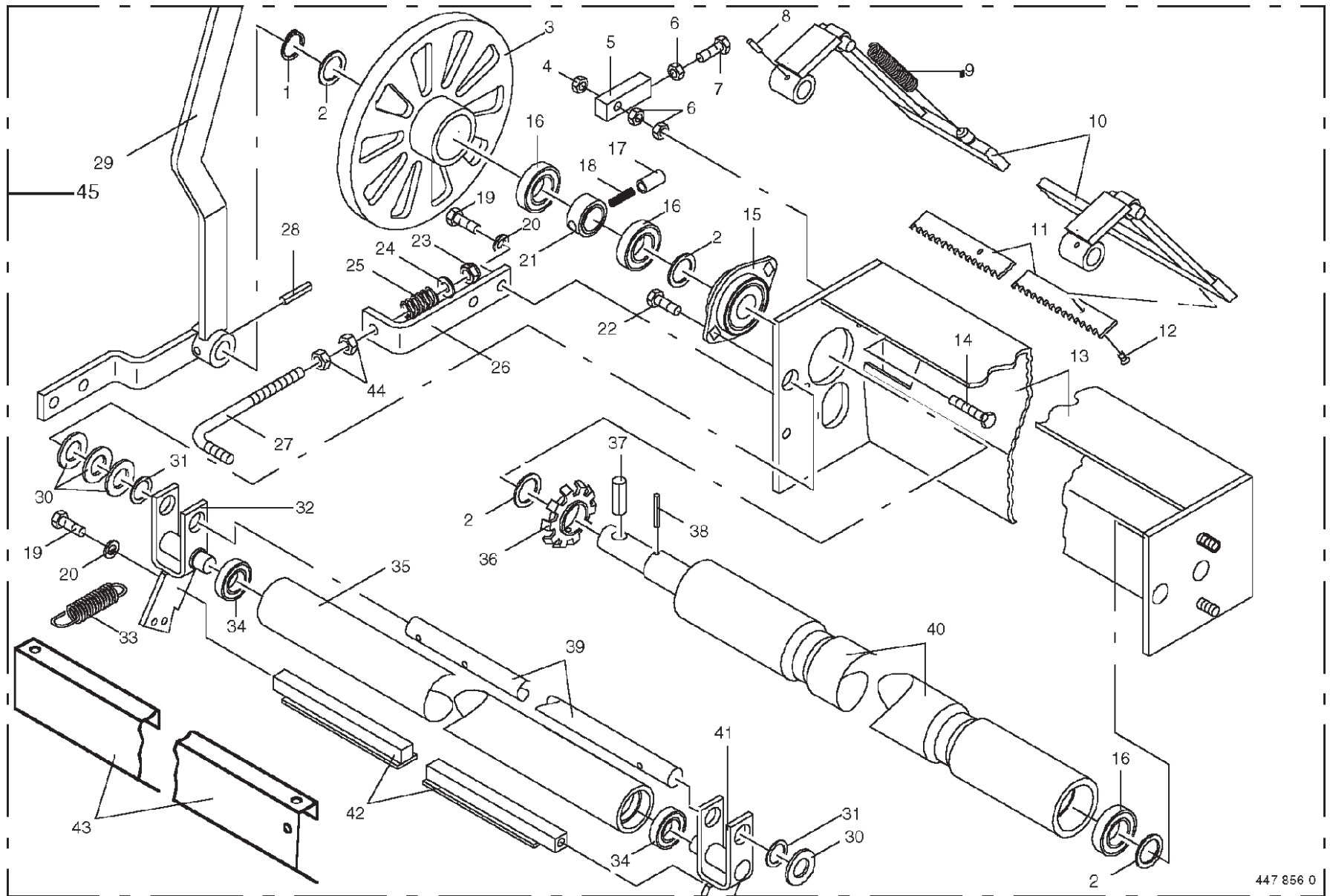
447 817 1

# Manual Twine Starter Mounting



## Manual Twine Starter Mounting

Item	Part Number	Description	Serial # Ranges	KR-130B	KR-130D WP	KR-160B	KR-160D WP	Notes
1	909.410.0	Wing Nut		X	X	X	X	M8
2	910.603.0	Washer		X	X	X	X	A8.4
3	052.053.0	Pressure Spring		X	X	X	X	
4	275.854.0	Twine Guide Plate		X	X	X	X	
5	917.901.0	Clip		X	X	X	X	
6	280.400.1	Eye Bolt		X	X	X	X	M8 X 45/30
7	908.210.0	Hex Nut		X	X	X	X	M8
8	917.104.0	Spring Clip		X	X	X	X	
9	273.114.0	Guard		X	X	X	X	
10	904.815.0	Flat Round Bolt		X	X	X	X	M8 X 40

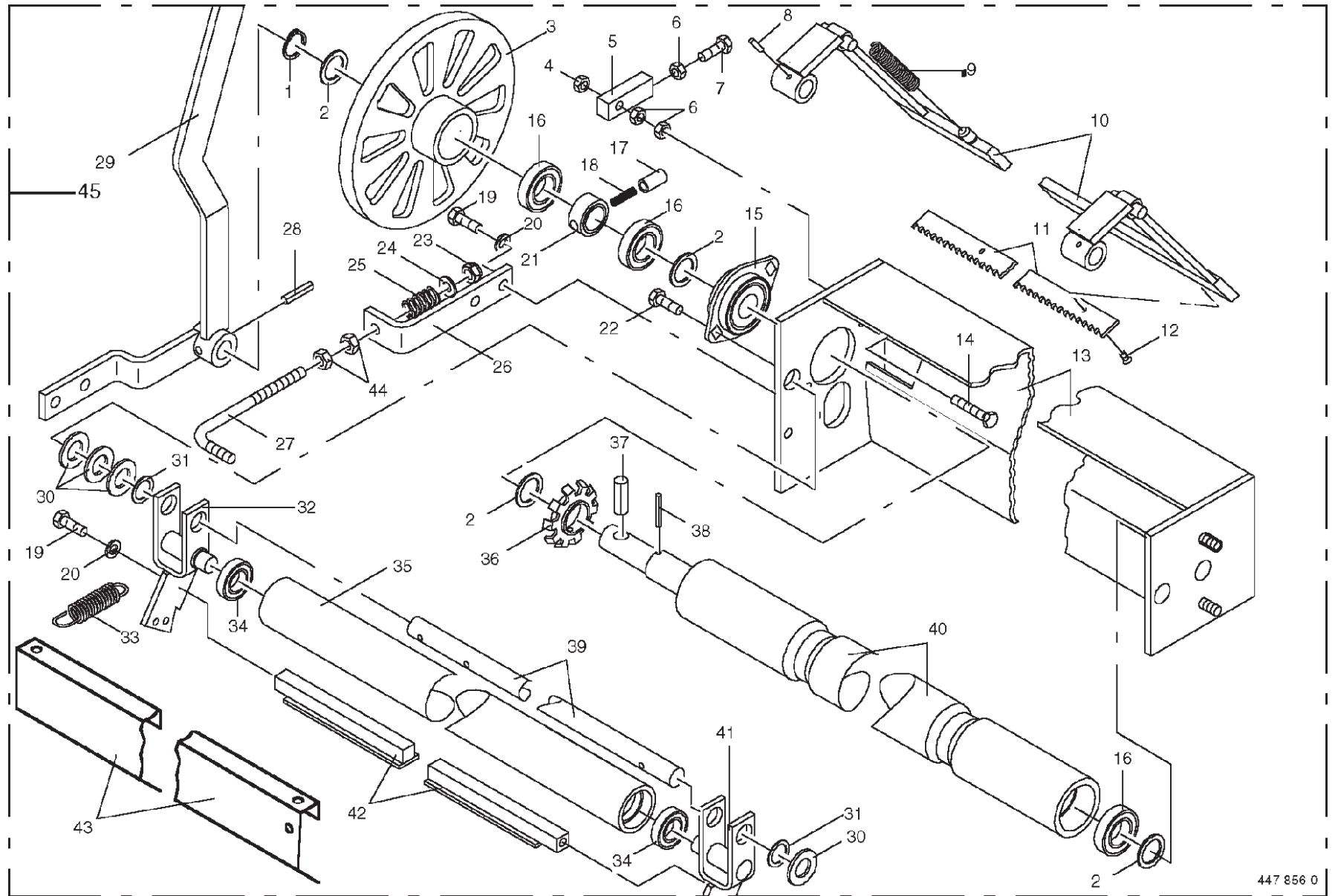


447 856 0

# Net Wrap Unit

## Net Wrap Unit

Item	Part Number	Description	Serial # Ranges	KR-130B	KR-130D WP	KR-160B	KR-160D WP	Notes
1	911.529.0	Circlip			X		X	A25 X 1.2
2	910.843.0	Shim			X		X	25 X 35 X .5
	910.844.0	Shim			X		X	25 X 35 X 1.0
	910.845.0	Shim			X		X	25 X 35 X 2.0
3	275.207.5	Clutch Wheel			X		X	
4	908.706.0	Hex Nut			X		X	NM8
5	273.351.0	Limit Stop			X		X	
6	908.210.0	Hex Nut			X		X	M8
7	901.042.0	Hex Head Bolt			X		X	M8 X 35
8	912.641.0	Roll Pin			X		X	6 X 30
9	015.145.0	Pressure Spring			X		X	
10	273.294.1	Knife Holder			X		X	
11	273.178.0	Knife Section			X		X	
12	904.036.0	Countersunk Screw			X		X	M6 X 12
13	273.309.0	Roller Support			X		X	
14	900.264.0	Hex Head Bolt			X		X	M8 X 45
15	934.000.0	Flange Bearing			X		X	CSPFL 205 LLU
16	930.505.0	Bearing			X		X	6005 2RS
17	273.005.0	Locking Pin			X		X	
18	939.737.0	Pressure Spring			X		X	
19	900.617.0	Hex Head Bolt			X		X	M8 X 30
20	910.033.0	Spring Washer			X		X	B8
21	273.006.0	Bushing			X		X	
22	900.253.1	Hex Head Bolt			X		X	M8 X 12
23	908.758.0	Hex Nut			X		X	NM10
24	910.414.0	Washer			X		X	A10.5
25	492.119.0	Pressure Spring			X		X	
26	276.746.0	Tension Arm			X		X	
27	276.744.0	Angular Screw			X		X	
28	912.673.0	Roll Pin			X		X	8 X 36
29	275.212.5	Lever			X		X	
30	910.512.2	Washer			X		X	B21
31	910.826.0	Shim			X		X	20 X 28 X 1.0
32	273.284.0	Shackle R/H			X		X	
33	939.634.1	Tension Spring			X		X	
34	930.533.0	Bearing			X		X	6203 2RS
35	273.295.0	Aluminum Roller			X		X	
36	273.392.0	Indicator Wheel			X		X	

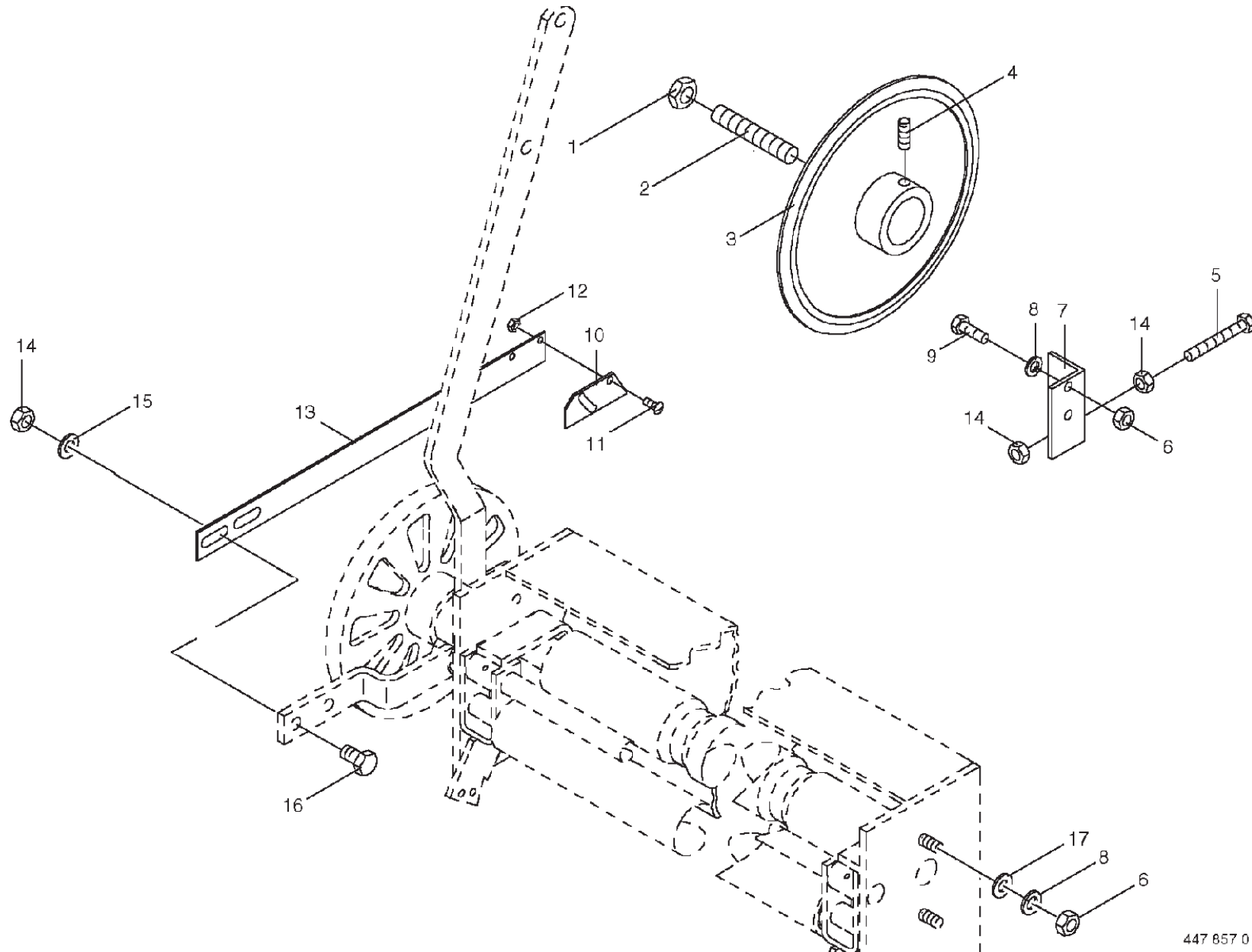


447 856 0

# Net Wrap Unit

## Net Wrap Unit

Item	Part Number	Description	Serial # Ranges	KR-130B	KR-130D WP	KR-160B	KR-160D WP	Notes
37	912.515.0	Roll Pin			X		X	13 X 36
38	912.615.0	Roll Pin			X		X	5 X 36
39	275.216.4	Knife Bar			X		X	
40	275.224.5	Rubber Roller			X		X	
41	273.296.0	Shackle L/H			X		X	
42	273.286.0	Deflector			X		X	
43	273.285.0	Cover			X		X	

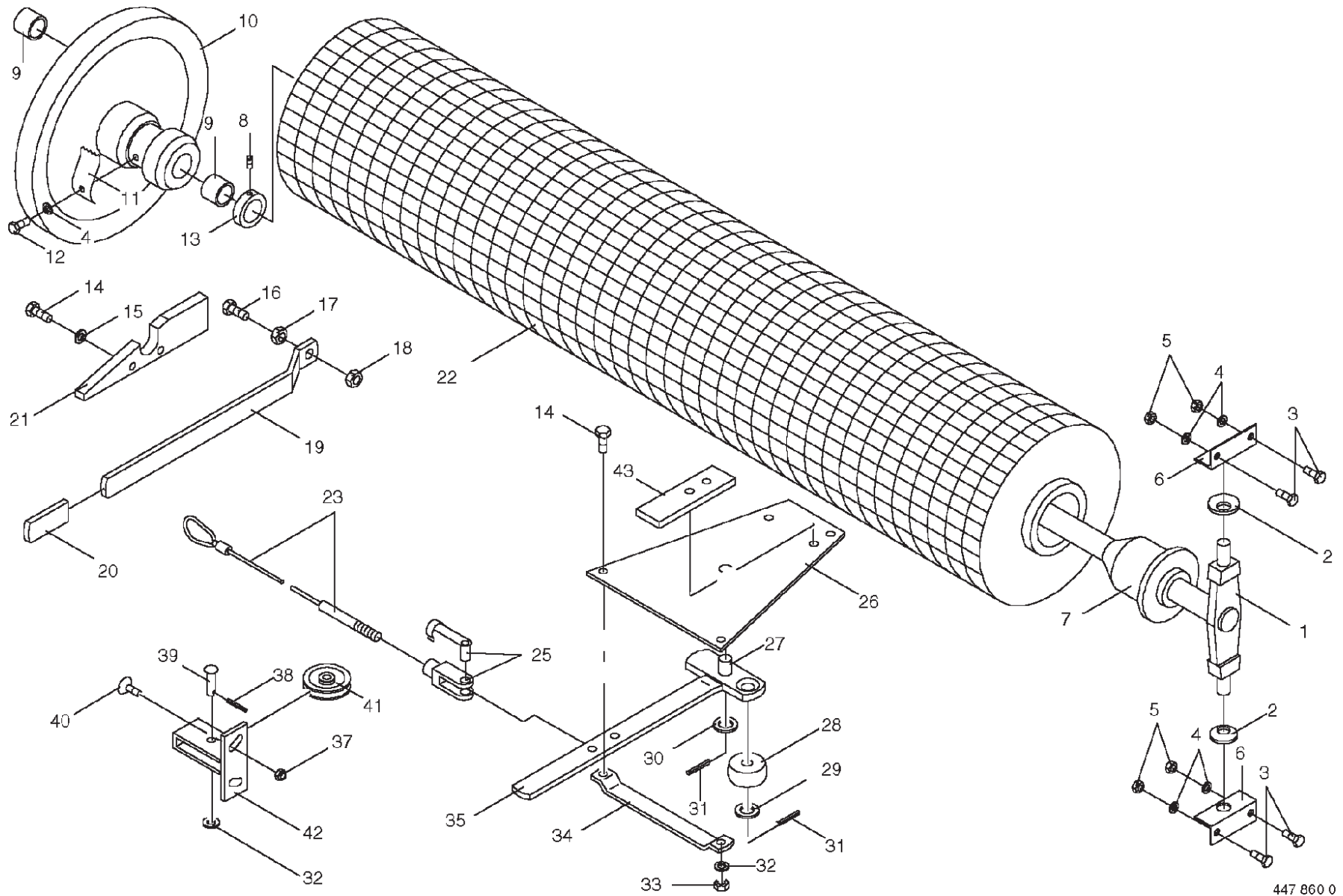


447 857 0

# Net Wrap Installation

## Net Wrap Installation

Item	Part Number	Description	Serial # Ranges	KR-130B	KR-130D WP	KR-160B	KR-160D WP	Notes
1	908.523.0	Hex Nut			X		X	M16
2	905.712.0	Set Screw			X		X	M16 X 90
3	275.231.3	Friction Wheel			X		X	With Safety Cut-off
	274.782.0	Friction Wheel			X		X	Without Safety Cut-off
4	905.932.0	Set Screw			X		X	M10 X 10
5	900.284.0	Hex Head Bolt			X		X	M10 X 50
6	908.210.0	Hex Nut			X		X	M8
7	276.214.0	Limit Stop			X		X	
8	910.033.0	Spring Washer			X		X	B8
9	900.614.0	Hex Head Bolt			X		X	M8 X 20
10	275.177.2	Catch			X		X	
11	905.000.1	Flat Round Bolt			X		X	M6 X 12
12	908.208.0	Hex Nut			X		X	M6
13	276.464.0	Spring Bar			X		X	Includes Items 10-12
14	908.758.0	Hex Nut			X		X	NM10
15	910.361.0	Washer			X		X	10.5
16	900.636.0	Hex Head Bolt			X		X	M10 X 25
17	910.603.0	Washer			X		X	A 8.4
18	900.264.0	Hex Head Bolt			X		X	For Comfort Electronics - M8 X 45
19	275.986.0	Sensor Holder			X		X	For Comfort Electronics
20	908.706.0	Hex Nut			X		X	NM8 - For Comfort Electronics



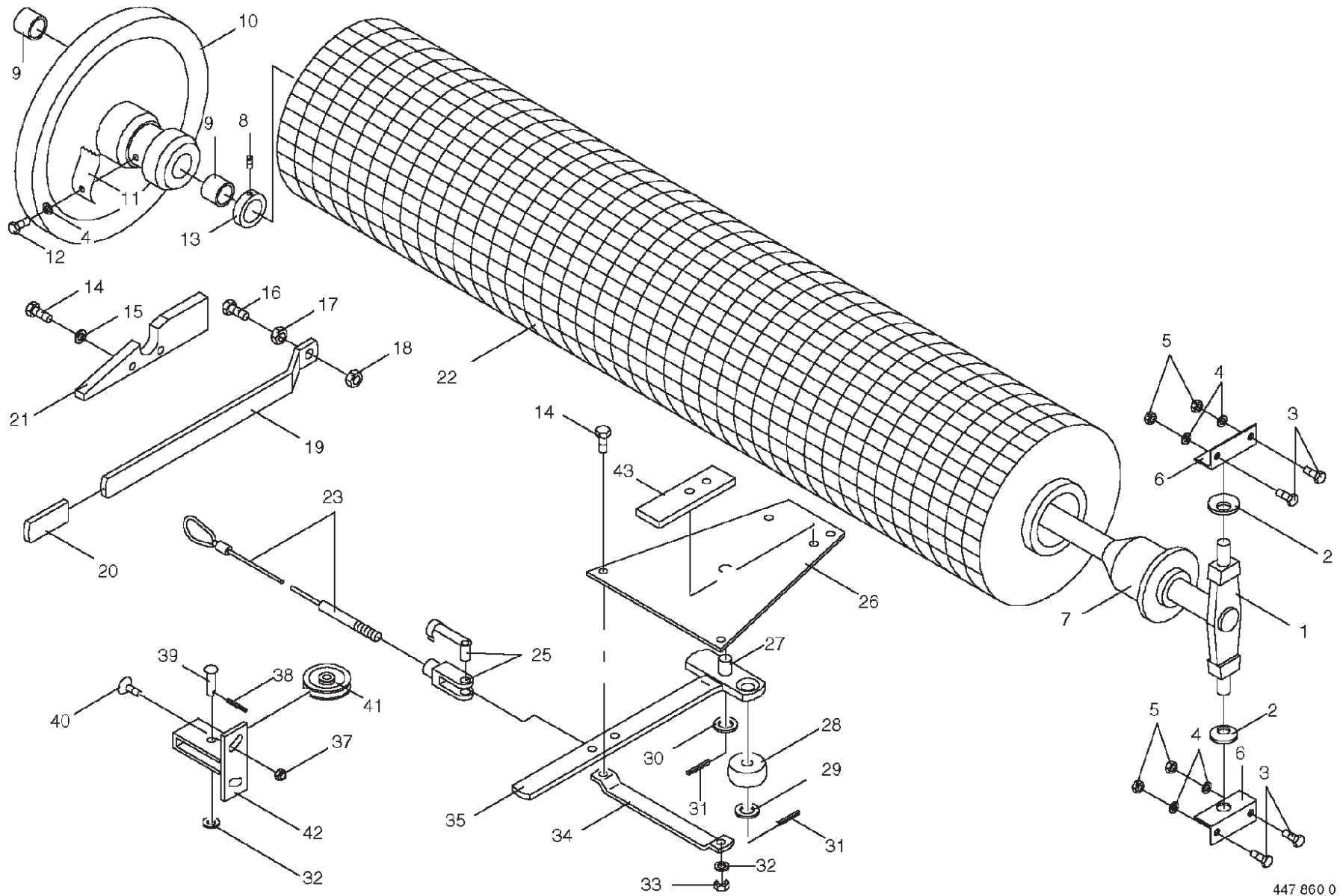
447 860 0

# Net Wrap Brake



## Net Wrap Brake

Item	Part Number	Description	Serial # Ranges	KR-130B	KR-130D WP	KR-160B	KR-160D WP	Notes
1	273.319.0	Roll Holder Bar			X		X	B31.5 X 16.3 X 1.25 M8 X 20 B8 M8
2	909.920.0	Cup Spring			X		X	
3	900.614.0	Hex Head Bolt			X		X	
4	910.033.0	Spring Washer			X		X	
5	908.210.0	Hex Nut			X		X	
6	274.215.0	Support			X		X	M8 X 10 MB 3040 DU Includes Item 4, 9-12
7	273.321.1	Roll Support			X		X	
8	905.922.0	Set Screw			X		X	
9	934.901.0	Bushing			X		X	
10	273.323.0	Brake Wheel			X		X	
11	273.327.0	Roll Lock			X		X	1.25 X 30 X90 M8 X 12 A30 - Includes Item 8 M10 X 20 B 10
12	900.253.1	Hex Head Bolt			X		X	
13	911.317.0	Lock Collar			X		X	
14	900.634.0	Hex Head Bolt			X		X	
15	910.111.1	Spring Washer			X		X	
16	900.657.0	Hex Head Bolt			X		X	M12 X 35 M12
17	908.215.0	Hex Head Bolt			X		X	
18	347.212.1	Rubber Bumper			X		X	
19	273.348.1	Lever			X		X	
20	925.016.0	Handle			X		X	
21	273.316.1	Roll Lock			X		X	2000 m Long 3000 m Long Rd. 5 X 670 G10 X 40
22	924.918.0	Netwrap Roll			X		X	
	924.927.0	Netwrap Roll			X		X	
23	273.322.0	Cable			X		X	
25	927.110.0	Clevis			X		X	
26	273.369.0	Supporting Plate			X		X	MB 1612 DU  M18 B21
27	934.900.0	Bushing			X		X	
28	273.365.0	Roller			X		X	
29	910.511.0	Washer			X		X	
30	910.512.2	Washer			X		X	
31	912.615.0	Roll Pin			X		X	5 X 36 A10.5 NM10  Includes Item 26
32	910.414.0	Washer			X		X	
33	908.758.0	Hex Nut			X		X	
34	273.368.0	Guide Strap			X		X	
35	273.383.0	Starter Lever			X		X	
37	908.706.0	Hex Nut			X		X	NM8 4 X 32 10 X 37/32
38	912.067.0	Cotter Pin			X		X	
39	913.201.0	Round Head Rivet			X		X	

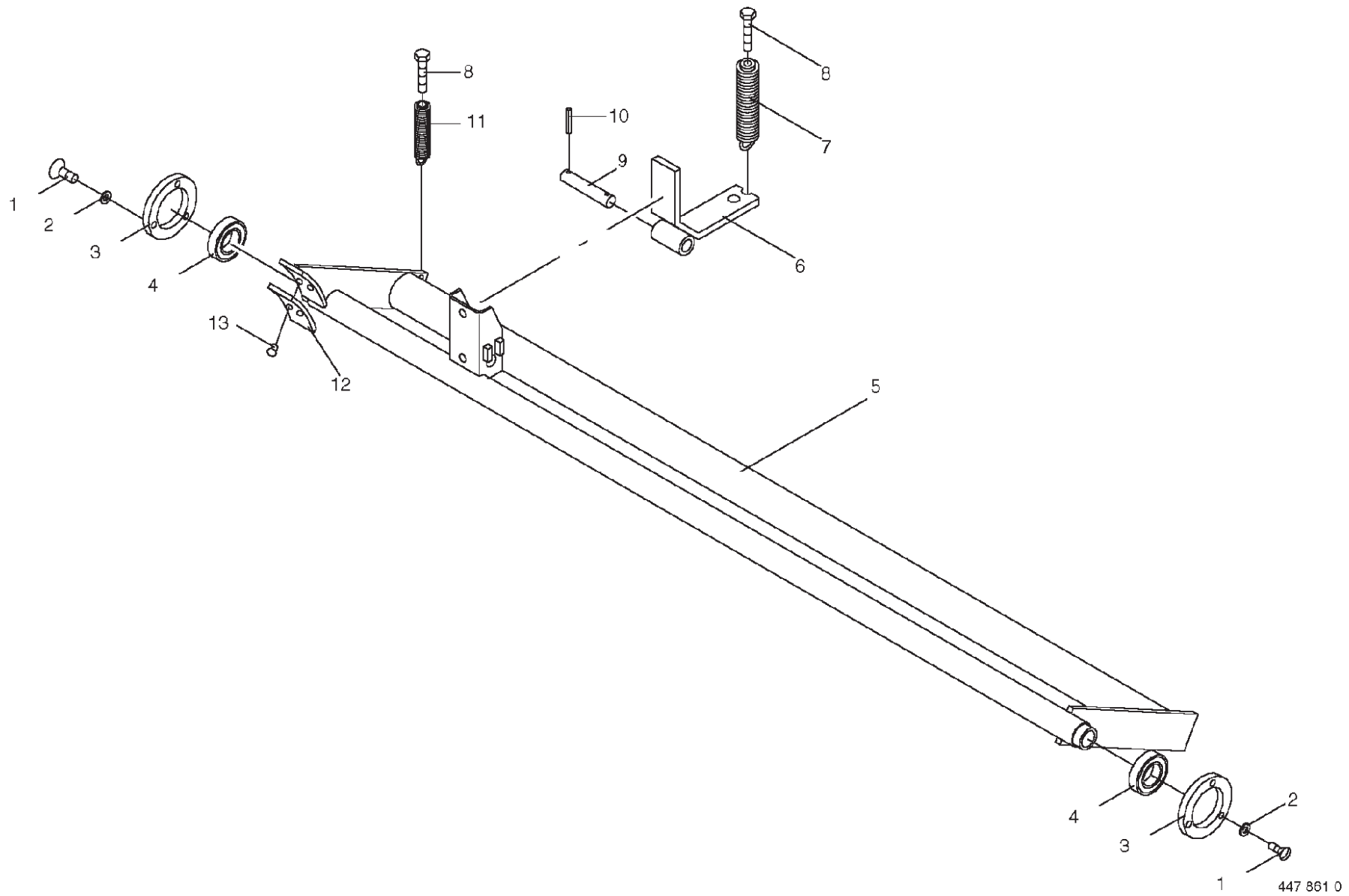


447 860 0

# Net Wrap Brake

## Net Wrap Brake

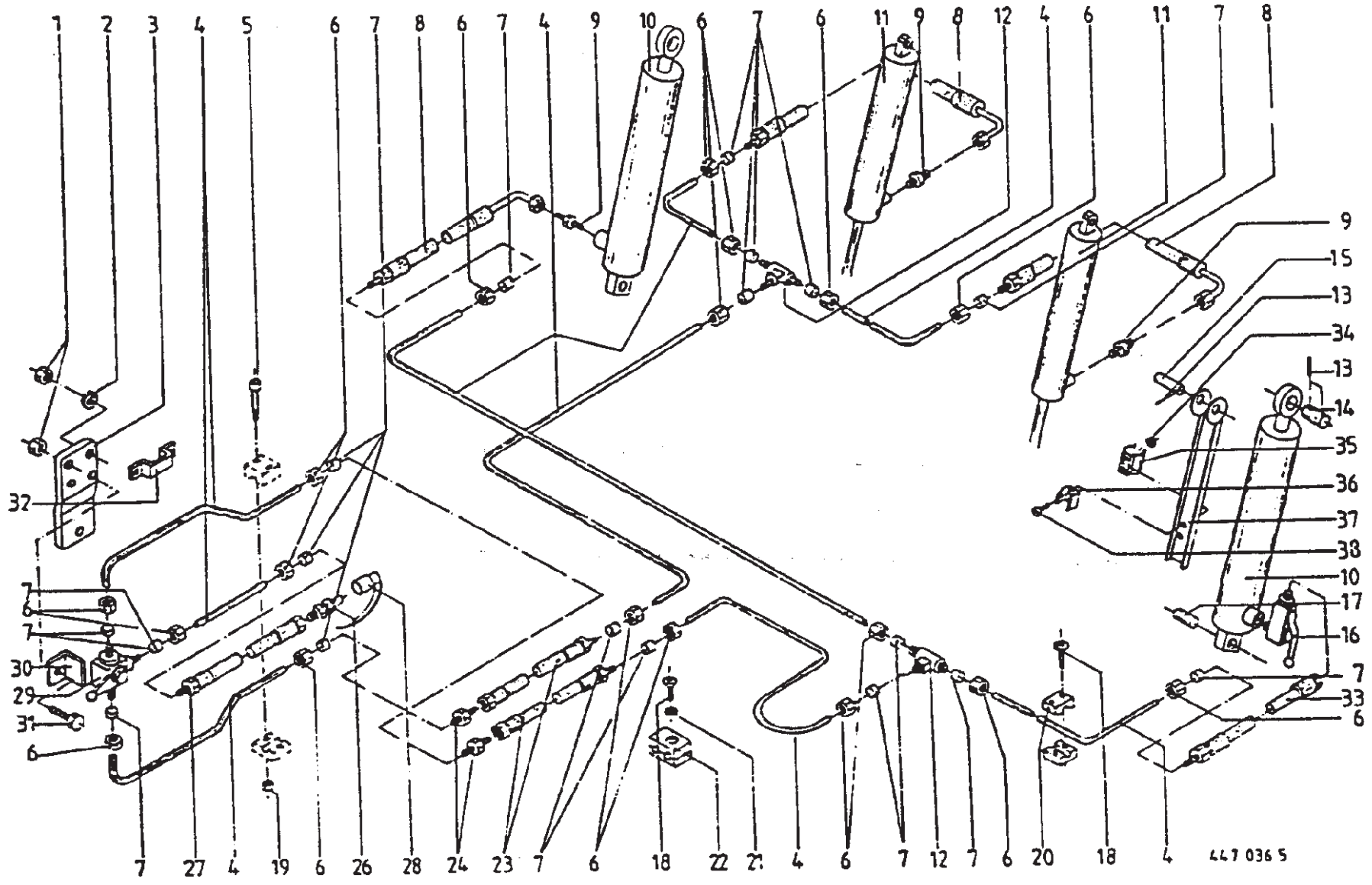
Item	Part Number	Description	Serial # Ranges	KR-130B	KR-130D WP	KR-160B	KR-160D WP	Notes
40	905.231.0	Flat Round Bolt			X		X	M8 X 20
41	274.363.1	Pulley			X		X	
42	275.424.1	Pulley Support			X		X	
43	273.519.0	Strap			X		X	



**Net Wrap Tension Bars**

## Net Wrap Tension Bars

Item	Part Number	Description	Serial # Ranges	KR-130B	KR-130D WP	KR-160B	KR-160D WP	Notes
1	900.616.0	Hex Head Bolt			X		X	M8 X 25
2	910.413.0	Washer			X		X	A8.4
3	273.338.0	Bearing Plate			X		X	
4	930.506.0	Bearing			X		X	6006 2RS
5	273.414.0	Oscillating Lever			X		X	Includes Items 12 & 13
6	273.360.0	Spring Bow			X		X	
7	273.339.0	Tension Spring			X		X	Rd. 5 X 93
8	900.287.0	Hex Head Bolt			X		X	M10 X 70
9	332.541.0	Pin			X		X	
10	912.615.0	Roll Pin			X		X	5 X 36
11	273.375.0	Tension Spring			X		X	Rd. 3.2 X 101
12	273.355.0	Brake Lining			X		X	60 X 8 X 45
13	913.809.0	Rivet			X		X	B6 X 12

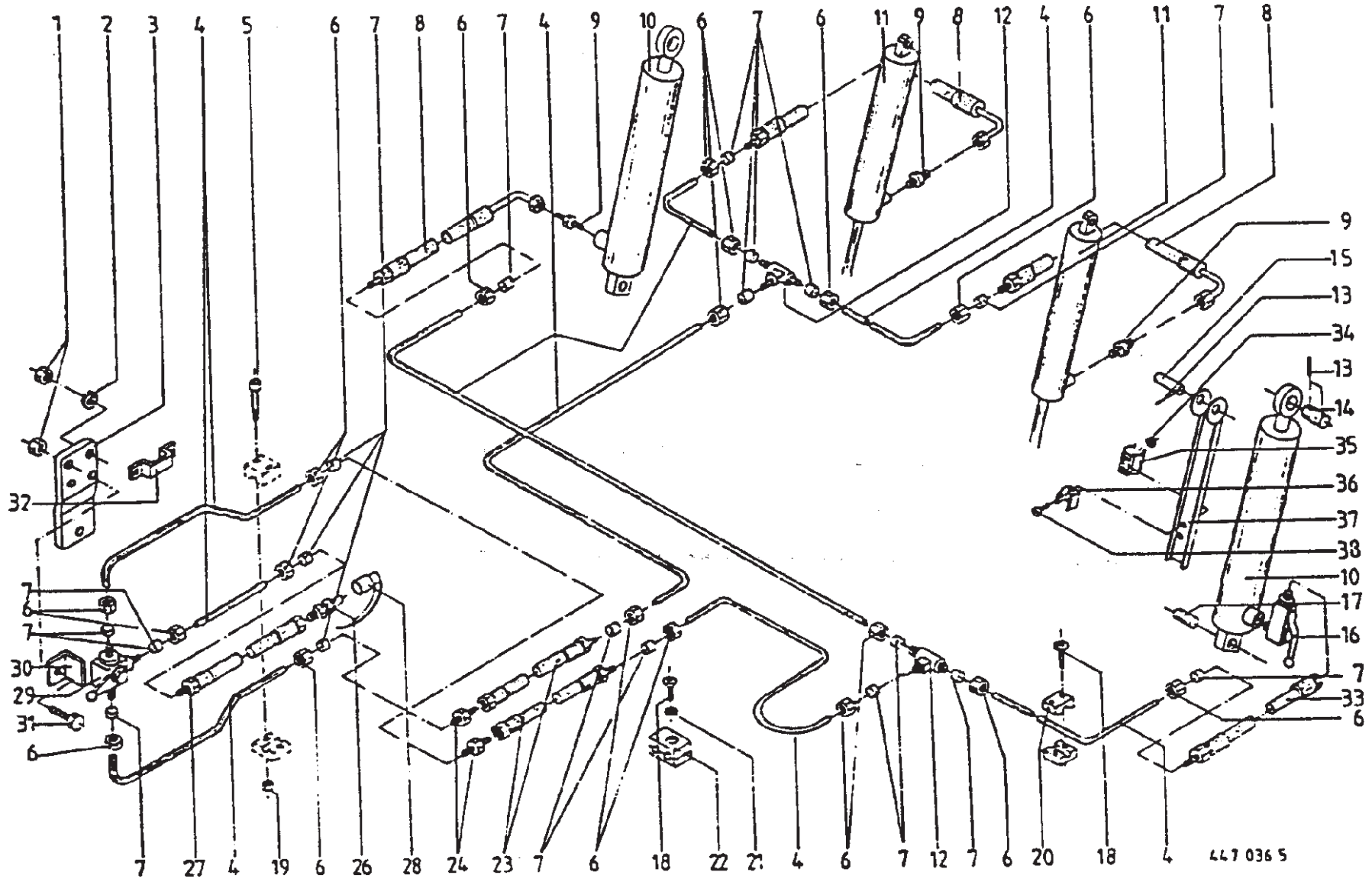


447 036 5

**Hydraulics - Standard Pickup - 3-Way Valve**

## Hydraulics - Standard Pickup - 3-Way Valve

Item	Part Number	Description	Serial # Ranges	KR-130B	KR-130D WP	KR-160B	KR-160D WP	Notes
1	908.758.0	Hex Nut		X		X		NM10 10.5 X 25 X 4  12 X 1.5 M6 X 70
2	910.361.0	Washer		X		X		
3	339.698.1	Mounting Plate		X		X		
4		Hydraulic Tube		X		X		
5	903.056.1	Allen Screw		X		X		
6	921.206.0	Union Nut		X		X		AL 12 L 12 620mm Long L 12 Tailgate
7	921.046.1	Cutting Ring		X		X		
8	921.003.1	Hydraulic Hose		X		X		
9	920.901.0	Male Connector		X		X		
10	921.347.1	Hydraulic Cylinder		X				
11	921.467.0	Seal Kit		X				Tailgate
	921.348.1	Hydraulic Cylinder				X		
	921.467.0	Seal Kit				X		Pickup
	921.303.2	Hydraulic Cylinder		X		X		
	921.423.0	Seal Kit		X		X		
12	921.071.1	T Connector		X		X		L 12 5 X 36 25 X 55 25 X 68
13	912.615.0	Roll Pin		X		X		
14	280.161.0	Pin		X		X		
15	280.208.2	Pin		X		X		
16	921.211.1	Valve		X		X		
17	274.109.0	Pin		X		X		
18	906.802.2	Self-Tapping Screw		X		X		25 X 70 B 4.8 X 45 M6 Bo.=12 7.4 X 22 X 2
19	908.208.0	Hex Nut		X		X		
20	925.107.1	Clamp		X		X		
21	910.607.0	Washer		X		X		
22	925.105.0	Clamp		X		X		
23	921.038.1	Hydraulic Hose		X		X		Bo.=12/12 3000mm Long L 12 M18 X 1.5 1600mm Long
24	921.054.1	Connector		X		X		
26	921.145.0	Hydraulic Coupling		X		X		
27	921.030.1	Hydraulic Hose		X		X		
28	921.171.0	Dust Cap		X		X		
29	344.524.0	3-Way Valve		X		X		M10 X 25
30	274.612.0	Angle Bracket		X		X		
31	900.636.0	Hex Head Bolt		X		X		
32	953.715.0	Mounting Bracket		X		X		
33	921.001.0	Hydraulic Hose		X		X		
34	908.006.1	Hex Nut		X		X		600mm Long
35	168.112.3	Clamping Bracket		X		X		M4



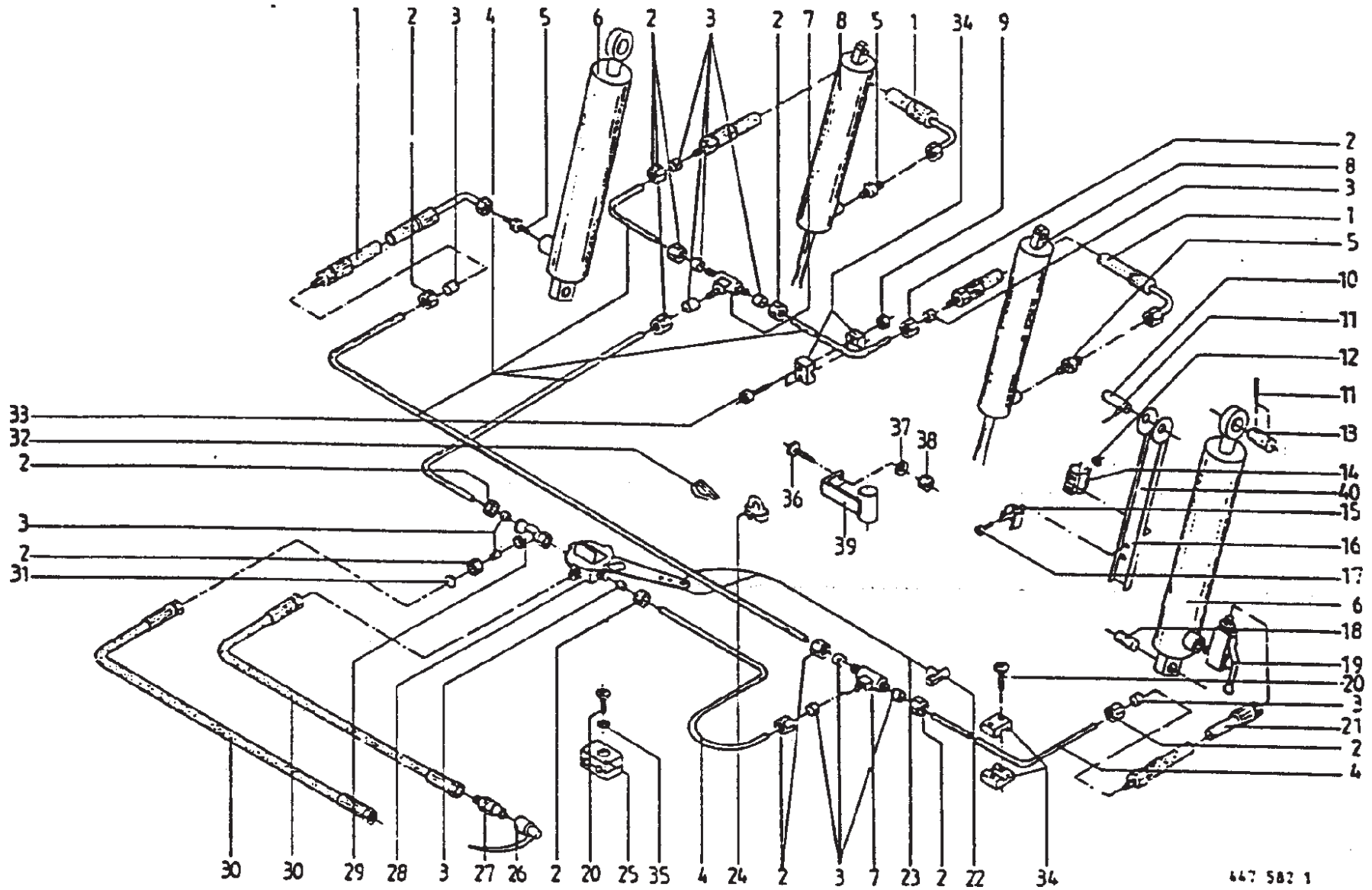
447 036 5

**Hydraulics - Standard Pickup - 3-Way Valve**



## Hydraulics - Standard Pickup - 3-Way Valve

Item	Part Number	Description	Serial # Ranges	KR-130B	KR-130D WP	KR-160B	KR-160D WP	Notes
36	274.121.2	Clamping Bracket		X		X		AM 4 X 10
37	274.466.1	Cylinder Support		X		X		
38	903.723.0	Allen Screw		X		X		

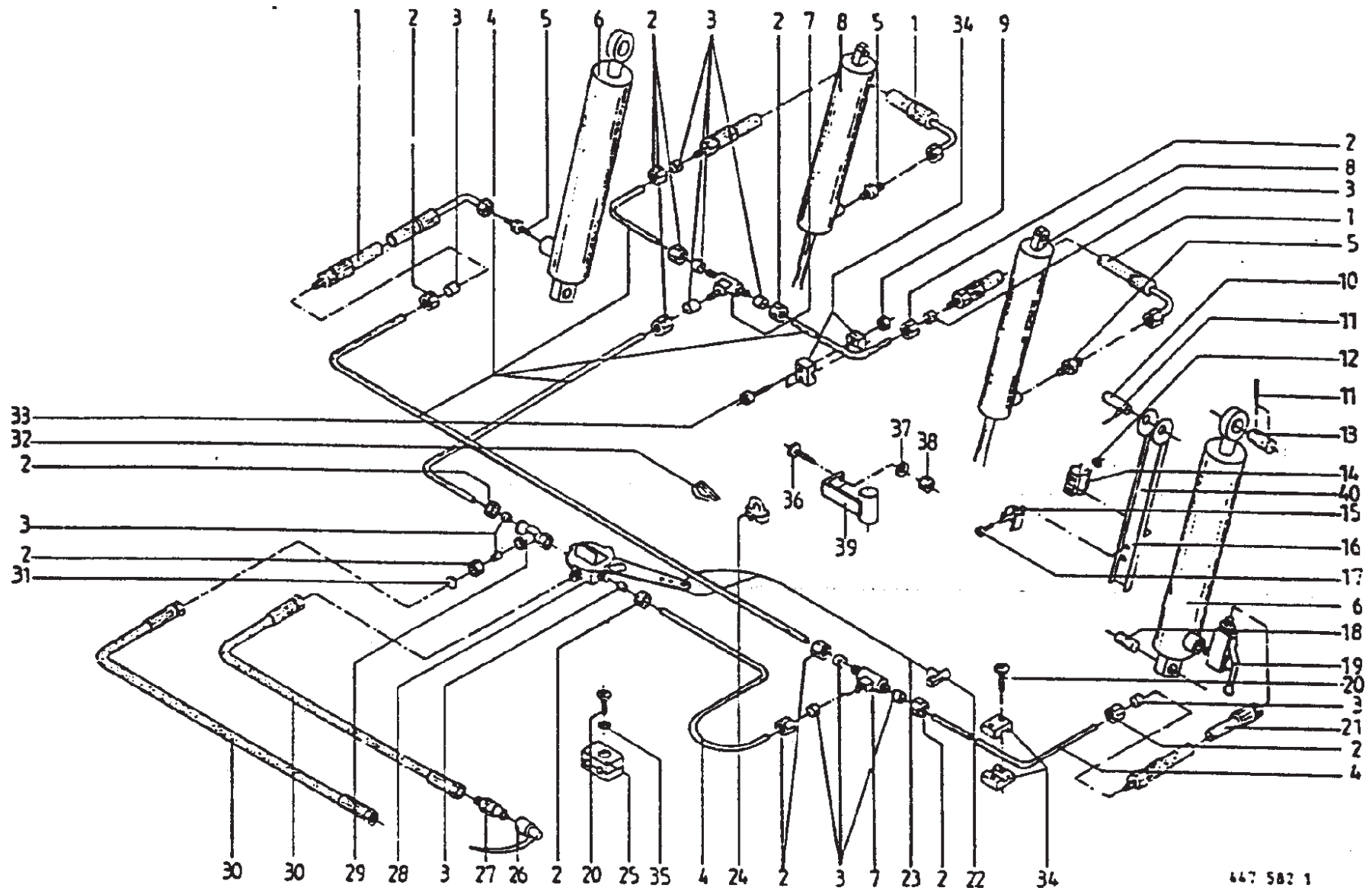


647 582 1

# Hydraulics - Standard Pickup - Diverter Valve

## Hydraulics - Standard Pickup - Diverter Valve

Item	Part Number	Description	Serial # Ranges	KR-130B	KR-130D WP	KR-160B	KR-160D WP	Notes
1	921.003.1	Hydraulic Hose		X		X		620mm Long
2	921.206.0	Union Nut		X		X		AL 12
3	921.046.1	Cutting Ring		X		X		L 12
4		Hydraulic Tube		X		X		12 X 1.5
5	920.901.0	Male Connector		X		X		L 12
6	921.347.1	Hydraulic Cylinder		X				EZ 35 X 530/750
	921.467.0	Seal Kit		X				
	921.348.1	Hydraulic Cylinder				X		EZ 35 X 720/920
	921.467.0	Seal Kit				X		
7	921.071.1	T Connector		X		X		L 12
8	921.303.2	Hydraulic Cylinder		X		X		ZZ 20/32 X 125/865
	921.423.0	Seal Kit		X		X		
9	908.208.0	Hex Nut		X		X		M6
10	280.208.2	Pin		X		X		25 X 68
11	912.615.0	Roll Pin		X		X		5 X 36
12	908.006.1	Hex Nut		X		X		M4
13	280.161.0	Pin		X		X		25 X 55
14	168.112.3	Clamping Bracket		X		X		C 67
15	274.121.2	Clamping Bracket		X		X		Rd. 36
16	274.466.1	Cylinder Support		X		X		
17	903.723.0	Allen Screw		X		X		AM 4 X 10
18	274.109.0	Pin		X		X		25 X 70
19	921.211.1	Valve		X		X		
20	906.802.2	Self-Tapping Screw		X		X		B 4.8 X 45
21	921.001.0	Hydraulic Hose		X		X		600mm Long
22	939.063.0	Handle		X		X		
23	925.113.0	Rope		X		X		3.5m Long
24	917.602.0	Clamp		X		X		5
25	925.105.0	Clamp		X		X		Bo.=12/12
26	921.171.0	Dust Cap		X		X		
27	921.145.0	Hydraulic Coupling		X		X		M18 X 1.5
28	274.898.1	Diverter Valve		X		X		
29	921.079.1	Adjustable L Connector		X		X		L 12
30	921.037.0	Hydraulic Hose		X		X		3000mm Long
31	280.411.0	Stopper		X		X		Rd. 12 X 20
32	917.505.1	Grommet		X		X		A 4
33	903.482.1	Allen Screw		X		X		AM 6 X 35
34	925.107.1	Clamp		X		X		Bo.=12

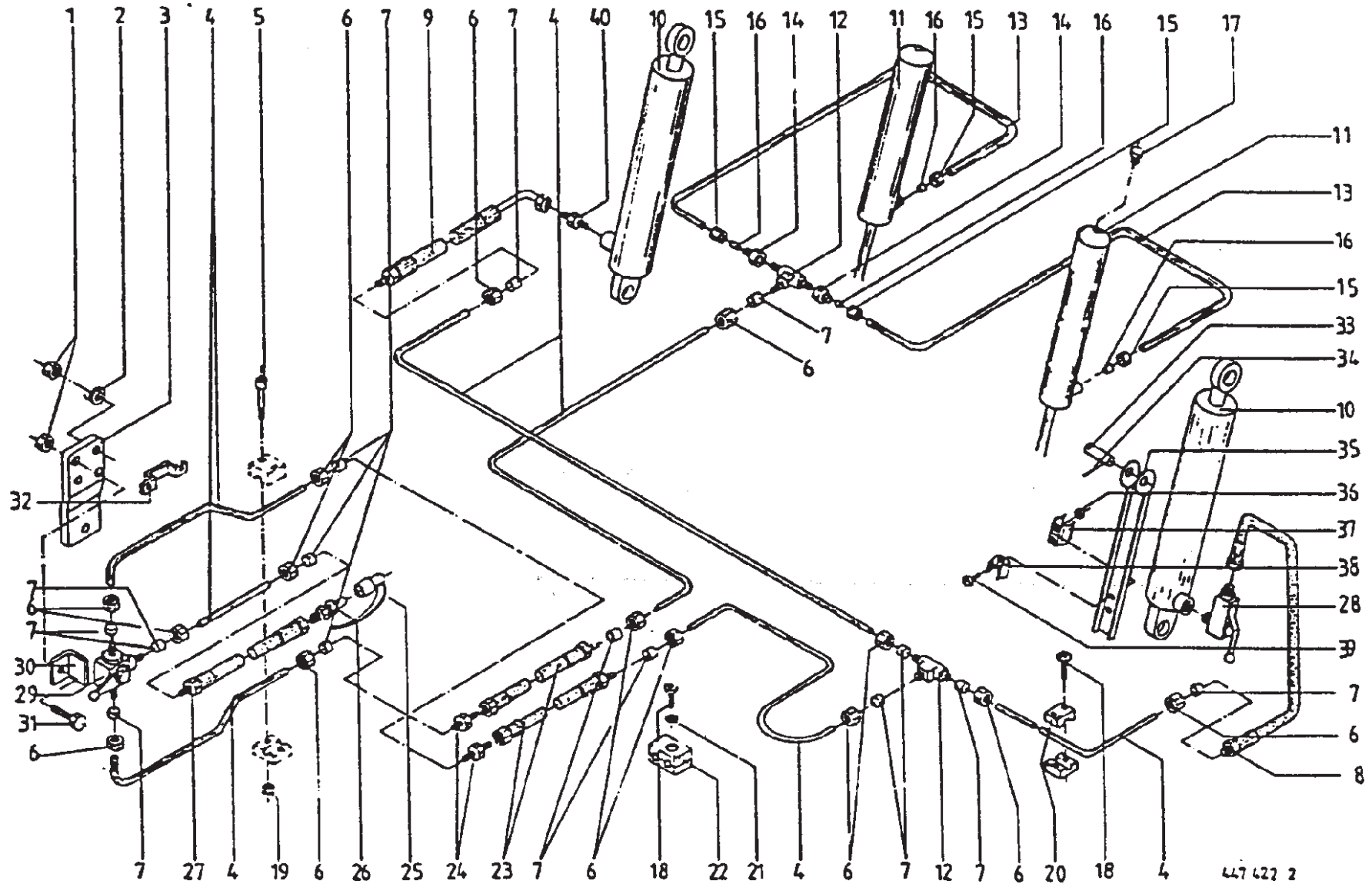


647 582 1

**Hydraulics - Standard Pickup - Diverter Valve**

## Hydraulics - Standard Pickup - Diverter Valve

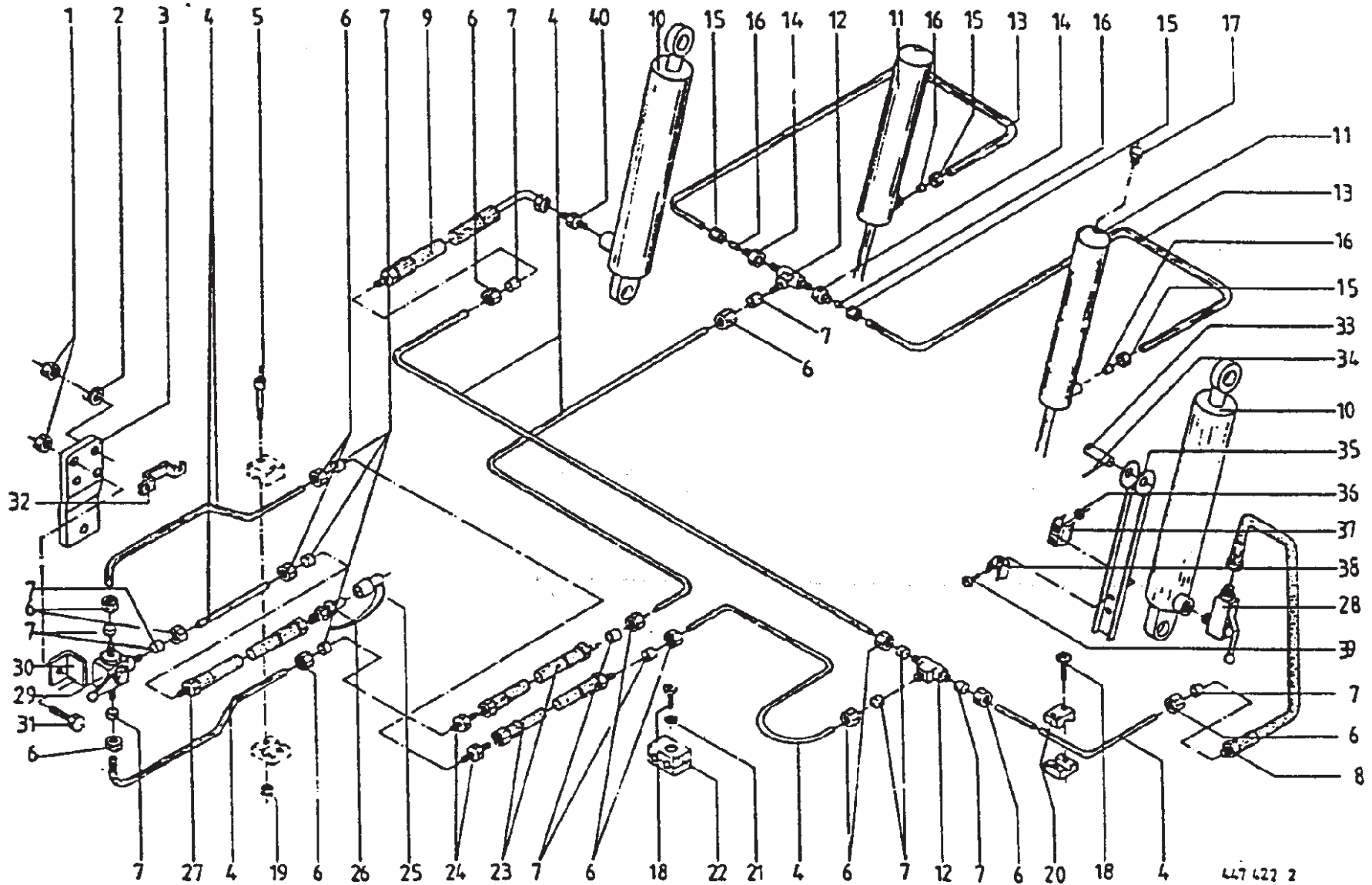
Item	Part Number	Description	Serial # Ranges	KR-130B	KR-130D WP	KR-160B	KR-160D WP	Notes
35	910.607.0	Washer		X		X		7.4 X 22 X 2
36	905.251.0	Flat Round Bolt		X		X		M10 X 20
37	910.111.1	Spring Washer		X		X		B 10
38	908.212.0	Hex Nut		X		X		M10
39	274.463.1	Lock for Cylinder Support		X		X		
40	274.466.1	Cylinder Support		X		X		



**Hydraulics - Wide Pickup - 3-Way Valve**

## Hydraulics - Wide Pickup - 3-Way Valve

Item	Part Number	Description	Serial # Ranges	KR-130B	KR-130D WP	KR-160B	KR-160D WP	Notes
1	908.758.0	Hex Nut			X		X	NM10 10.5 X 25 X 4  12 X 1.5 M6 X 70
2	910.361.0	Washer			X		X	
3	339.698.1	Mounting Plate			X		X	
4		Hydraulic Tube			X		X	
5	903.056.1	Allen Screw			X		X	
6	921.206.0	Union Nut			X		X	AL 12 L 12 600mm Long 620mm Long
7	921.046.1	Cutting Ring			X		X	
8	921.001.0	Hydraulic Hose			X		X	
9	921.003.1	Hydraulic Hose			X		X	
10	921.347.1	Hydraulic Cylinder			X		X	
11	921.467.0	Seal Kit			X			
	921.348.1	Hydraulic Cylinder					X	
	921.467.0	Seal Kit					X	
	921.395.0	Hydraulic Cylinder			X		X	
	921.423.0	Seal Kit			X		X	
12	921.071.1	T Connector			X		X	L 12 6 X 1 KOR 12/6-PL AL 6 L 6
13		Hydraulic Tube			X		X	
14	921.083.1	Reducer			X		X	
15	921.039.1	Union Nut			X		X	
16	921.045.1	Cutting Ring			X		X	
17	919.810.1	Breather			X		X	
18	906.802.2	Self-Tapping Screw			X		X	R 1/8" B 4.8 X 45 M6 Bo.=12 Bo.=6
19	908.208.0	Hex Nut			X		X	
20	925.107.1	Clamp			X		X	
	925.123.0	Clamp			X		X	
21	910.351.1	Washer			X		X	
22	925.105.0	Clamp			X		X	6.4 X 18 X 1.6 Bo.=12/12 Bo.=12/6 3000mm Long L 12
	925.122.0	Clamp			X		X	
23	921.038.1	Hydraulic Hose			X		X	
24	921.054.1	Connector			X		X	
25	921.171.0	Dust Cap			X		X	
26	921.145.0	Hydraulic Coupling			X		X	M18 X 1.5 1600mm Long
27	921.030.1	Hydraulic Hose			X		X	
28	921.211.1	Valve			X		X	
29	344.524.0	3-Way Valve			X		X	
30	274.612.0	Angle Bracket			X		X	
31	900.636.0	Hex Head Bolt			X		X	M10 X 25
32	953.715.0	Mounting Bracket			X		X	

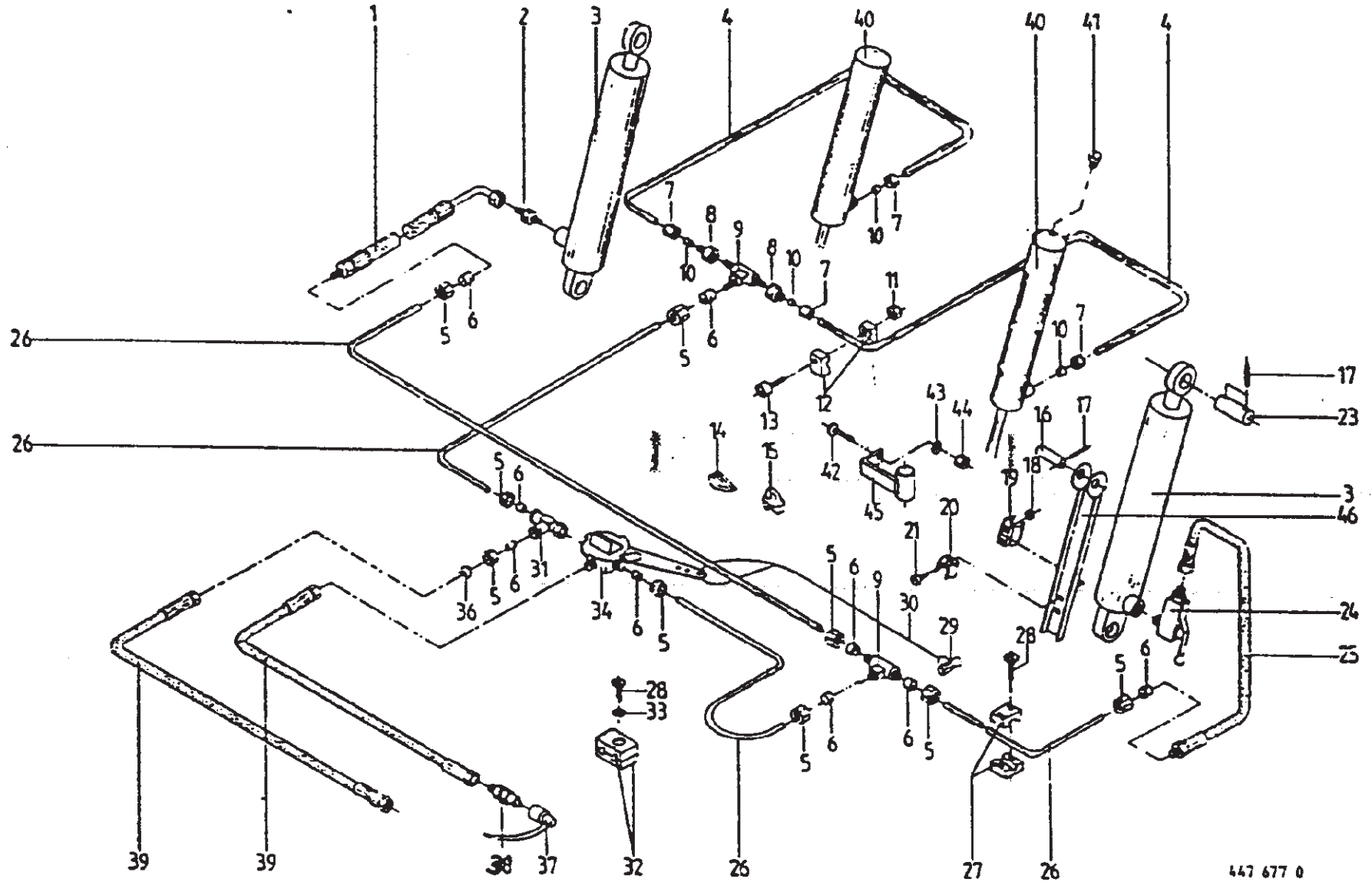


Hydraulics - Wide Pickup - 3-Way Valve



## Hydraulics - Wide Pickup - 3-Way Valve

Item	Part Number	Description	Serial # Ranges	KR-130B	KR-130D WP	KR-160B	KR-160D WP	Notes
33	280.208.2	Pin			X		X	25 X 68
34	912.615.0	Roll Pin			X		X	5 X 36
35	274.466.1	Cylinder Support			X		X	
36	908.006.1	Hex Nut			X		X	M4
37	168.112.3	Clamping Bracket			X		X	
38	274.121.2	Clamping Bracket			X		X	
39	903.723.0	Allen Screw			X		X	AM 4 X 10
40	920.901.0	Connector			X		X	L 12

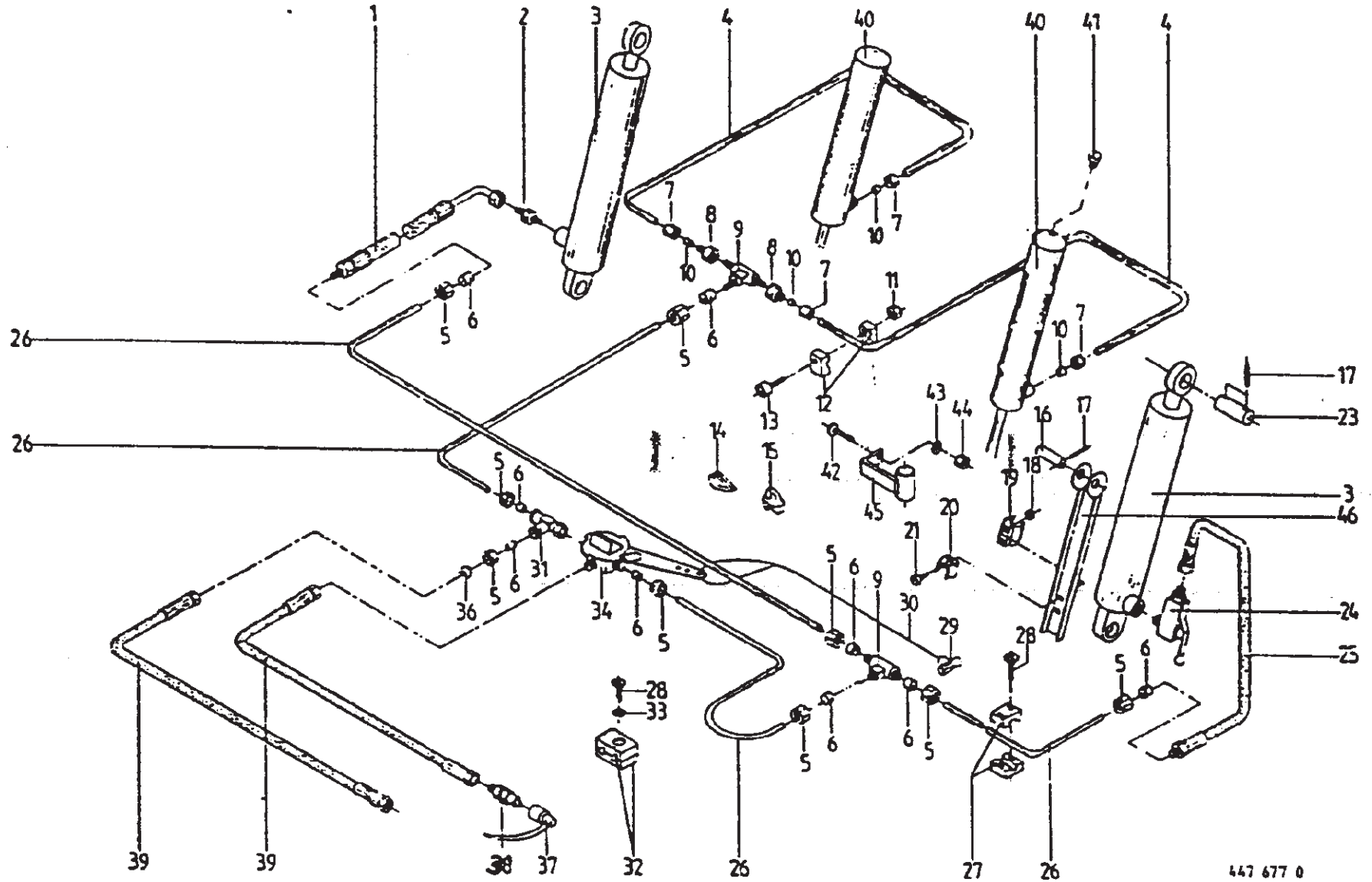


447 677 0

# Hydraulics - Wide Pickup - Diverter Valve

## Hydraulics - Wide Pickup - Diverter Valve

Item	Part Number	Description	Serial # Ranges	KR-130B	KR-130D WP	KR-160B	KR-160D WP	Notes
1	921.003.1	Hydraulic Hose			X		X	620mm Long
2	920.901.0	Male Connector			X		X	L 12
3	921.347.1	Hydraulic Cylinder			X			
	921.467.0	Seal Kit			X			
	921.348.1	Hydraulic Cylinder					X	
	921.467.0	Seal Kit					X	
4		Hydraulic Tube			X		X	6 X 1
5	921.206.0	Union Nut			X		X	AL 12
6	921.046.1	Cutting Ring			X		X	L 12
7	921.039.1	Union Nut			X		X	AL 6
8	921.083.1	Reducer			X		X	KOR 12/6-PL
9	921.071.1	T Connector			X		X	L 12
10	921.045.1	Cutting Ring			X		X	L 6
11	908.208.0	Hex Nut			X		X	M6
12	925.123.0	Clamp			X		X	Bo.=6
13	903.482.1	Allen Screw			X		X	AM6 X 35
14	917.505.1	Grommet			X		X	A 4
15	917.602.0	Clamp			X		X	5
16	280.208.2	Pin			X		X	Rd. 25 X 68
17	912.615.0	Roll Pin			X		X	5 X 36
18	908.006.1	Hex Nut			X		X	M4
19	168.112.3	Clamping Bracket			X		X	
20	274.121.2	Clamping Bracket			X		X	
21	903.723.0	Allen Screw			X		X	AM 4 X 10
23	280.161.0	Pin			X		X	25 X 55
24	921.211.1	Valve			X		X	
25	921.001.0	Hydraulic Hose			X		X	600mm Long
26		Hydraulic Tube			X		X	12 X 1.5
27	925.107.1	Clamp			X		X	Bo.=12
28	906.802.2	Self-Tapping Screw			X		X	B4.8 X 45
29	939.063.0	Handle			X		X	
30	925.113.0	Rope			X		X	3.5m
31	921.079.1	Adjustable L Connector			X		X	L 12
32	925.105.0	Clamp			X		X	Bo.=12/12
	925.122.0	Clamp			X		X	Bo.=12/6
33	910.607.0	Washer			X		X	7.4 X 22 X 2
34	274.898.1	Diverter Valve			X		X	
36	280.411.0	Stopper			X		X	Rd. 12 X 20

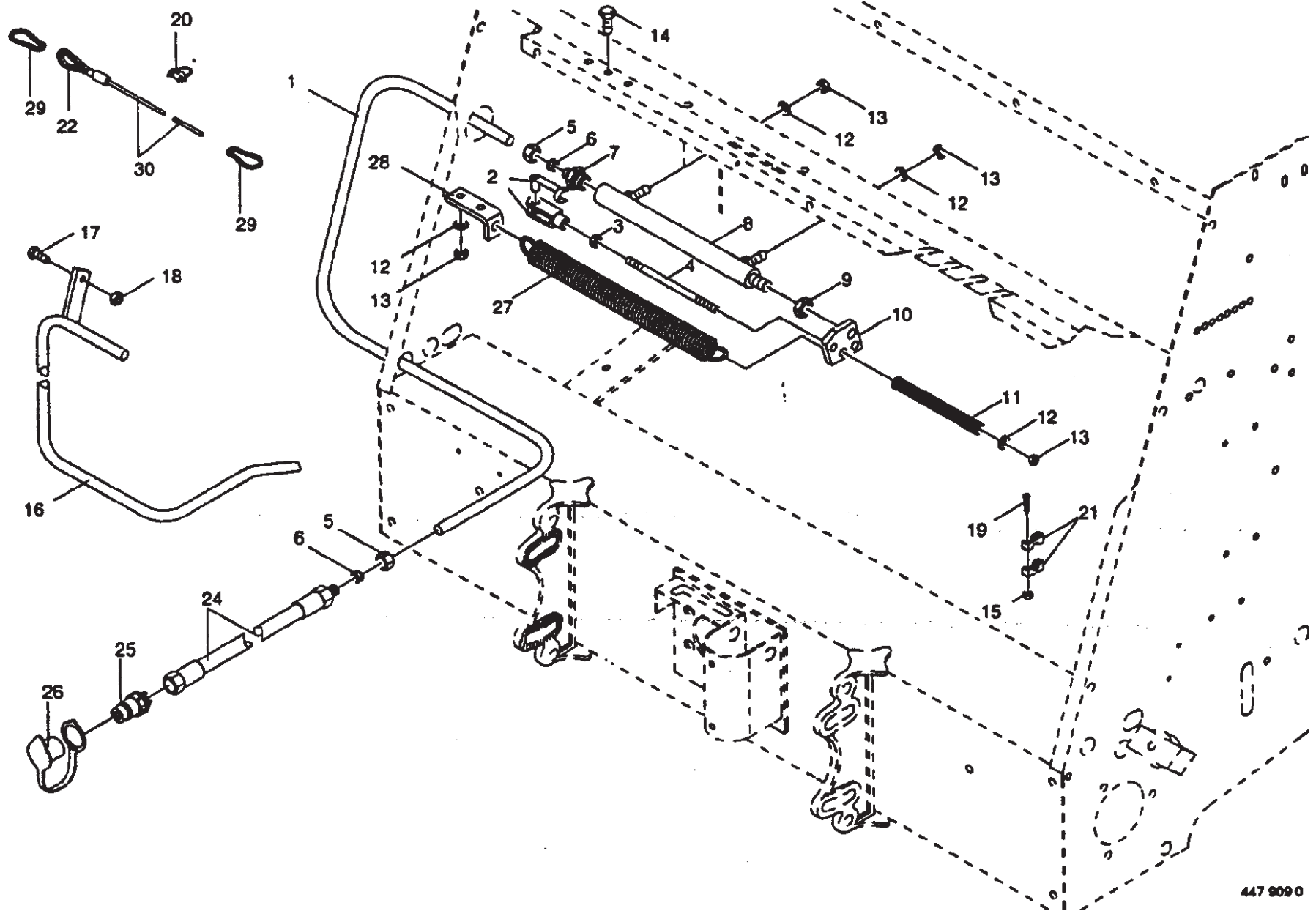


447 677 0

Hydraulics - Wide Pickup - Diverter Valve

## Hydraulics - Wide Pickup - Diverter Valve

Item	Part Number	Description	Serial # Ranges	KR-130B	KR-130D WP	KR-160B	KR-160D WP	Notes
37	921.171.0	Dust Cap			X		X	M18 X 1.5 3000mm Long
38	921.145.0	Hydraulic Coupling			X		X	
39	921.037.0	Hydraulic Hose			X		X	
40	921.395.0	Hydraulic Cylinder			X		X	
	921.423.0	Seal Kit			X		X	
41	919.810.1	Breather			X		X	R 1/8"
42	905.251.0	Flat Round Bolt			X		X	M10 X 20
43	910.111.1	Spring Washer			X		X	B 10
44	908.212.0	Hex Nut			X		X	M10
45	274.463.1	Lock for Cylinder Support			X		X	
46	274.466.1	Cylinder Support			X		X	

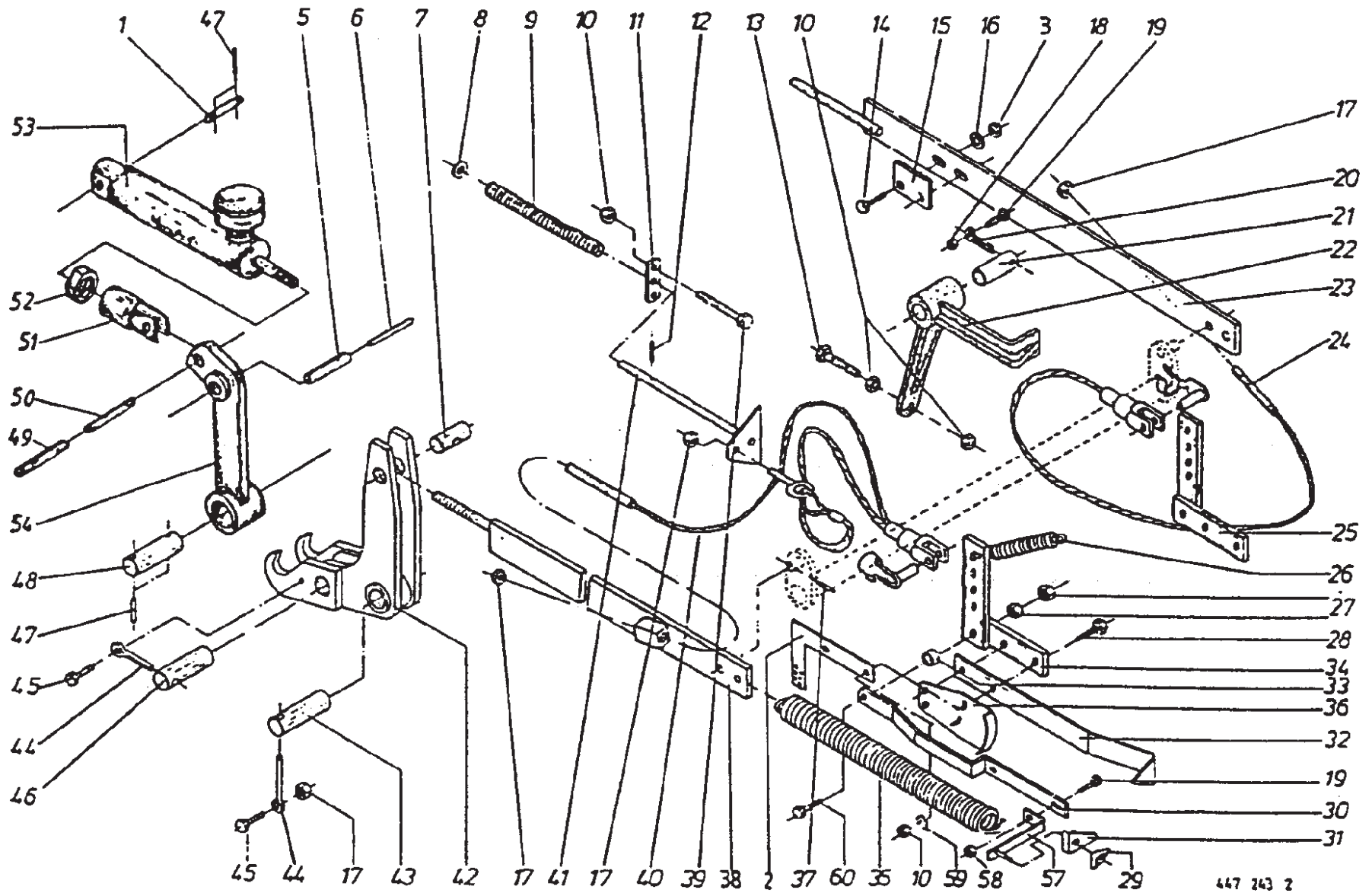


447 9090

Hydraulic Starter

## Hydraulic Starter

Item	Part Number	Description	Serial # Ranges	KR-130B	KR-130D WP	KR-160B	KR-160D WP	Notes
1		Hydraulic Tube			X		X	12 X 1.5
2	927.110.0	Clevis			X		X	G10 X 40
3	908.212.0	Hex Nut			X		X	M10
4	273.342.0	Threaded Rod			X		X	
5	921.206.0	Union Nut			X		X	AL 12
6	921.046.1	Cutting Ring			X		X	L12
7	920.901.0	Male Connector			X		X	L 12 MB/M18
8	273.317.0	Hydraulic Cylinder			X		X	
	918.706.0	Seal Kit			X		X	
9	908.620.0	Hex Nut			X		X	M16
10	273.334.1	Cylinder Support			X		X	
11	337.413.1	Spring			X		X	
12	910.414.0	Washer			X		X	A10.5
13	908.758.0	Hex Nut			X		X	NM10
14	900.634.0	Hex Head Bolt			X		X	M10 X 20
15	908.704.0	Hex Nut			X		X	NM6
16	273.540.0	Tube			X		X	
17	900.614.0	Hex Head Bolt			X		X	M8 X 20
18	908.706.0	Hex Nut			X		X	NM8
19	903.755.0	Allen Head Bolt			X		X	AM6 X 28
20	917.603.0	Cable Clamp			X		X	6.5
21	925.107.1	Clamp			X		X	12 Bo.
22	917.506.0	Cable Eye			X		X	A6
24	921.038.1	Hydraulic Hose			X		X	3000mm Long
25	921.145.0	Hydraulic Coupler			X		X	#8 Male Q.D.
26	921.171.0	Dust Cap			X		X	
27	274.483.1	Tension Spring			X		X	
28	273.337.0	Spring Retainer			X		X	
29	917.901.0	Spring Hook			X		X	
30	275.416.1	Cable			X		X	1800mm Long
	273.545.0	Cable			X		X	1700mm Long



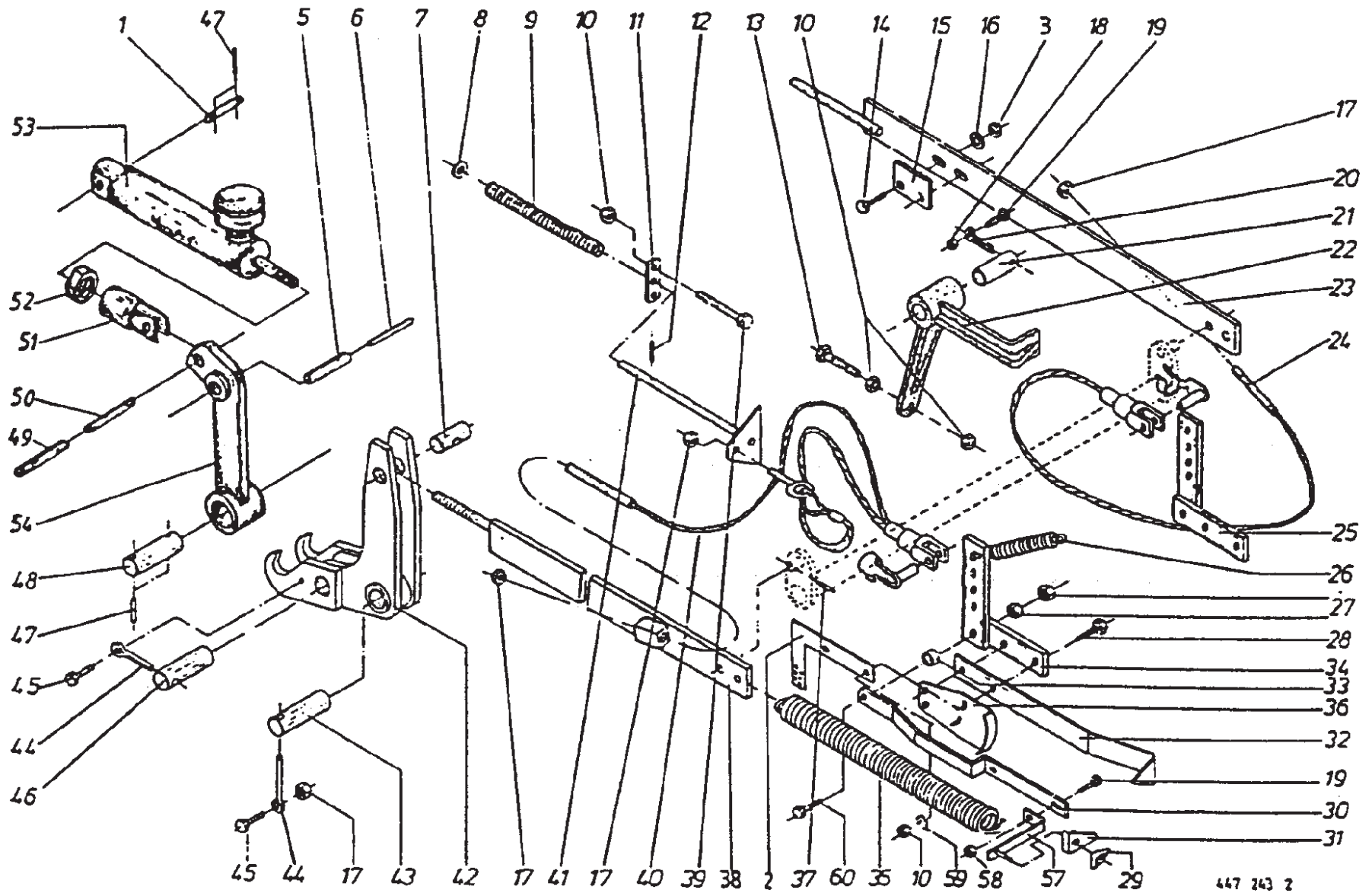
447 243 2

**Tailgate Lock & Filling Indicators**



## Tailgate Lock & Filling Indicators

Item	Part Number	Description	Serial # Ranges	KR-130B	KR-130D WP	KR-160B	KR-160D WP	Notes
1	274.731.0	Pin		X	X	X	X	Rd. 25 X 85
2	275.528.0	Angle for Position Feeler		X	X	X	X	
3	908.711.1	Hex Nut		X	X	X	X	NM12
5	912.780.1	Roll Pin		X	X	X	X	13 X 75
6	912.681.1	Roll Pin		X	X	X	X	8 X 75
7	274.078.0	Threaded Pin		X	X	X	X	Rd. 20 X 42
8	910.506.0	Washer		X	X	X	X	14
9	939.732.0	Pressure Spring		X	X	X	X	
10	908.210.0	Hex Nut		X	X	X	X	M8
11	274.336.2	Guide Strap		X	X	X	X	
12	912.579.1	Roll Pin		X	X	X	X	4 X 20
13	901.423.0	Hex Head Bolt		X	X	X	X	M8 X 50
14	900.656.0	Hex Head Bolt		X	X	X	X	M12 X 30
15	275.353.0	Strap		X	X	X	X	
16	910.506.0	Washer		X	X	X	X	14 X 24 X 2.5
17	908.706.0	Hex Nut		X	X	X	X	NM8
18	908.704.1	Hex Nut		X	X	X	X	NM6
19	900.237.0	Hex Head Bolt		X	X	X	X	M6 X 20
20	912.130.1	Cotter Pin		X	X	X	X	8 X 45
21	275.352.0	Pin		X	X	X	X	
22	275.357.0	Stop		X	X	X	X	
23	275.833.0	Rod L/H		X	X			Includes Items 3, 14-16
	275.834.0	Rod L/H				X	X	Includes Items 3, 14-16
24	275.365.0	Cable for Indicator L/H		X	X			
	275.358.0	Cable for Indicator L/H				X	X	
25	274.287.2	Angle Lever L/H		X	X	X	X	
26	270.283.0	Tension Spring		X	X	X	X	
27	908.212.0	Hex Nut		X	X	X	X	M10
28	900.614.0	Hex Head Bolt		X	X	X	X	M8 X 20
29	909.410.1	Wing Nut		X	X	X	X	M8
30	274.512.3	Support		X	X	X	X	
31	274.582.0	Pointer		X	X	X	X	
32	274.610.1	Pointer		X	X	X	X	
33	344.565.0	Spacer Tube		X	X	X	X	
34	274.286.2	Angle Lever R/H		X	X	X	X	
35	345.432.1	Tension Spring		X	X	X	X	
36	274.491.0	Guide Plate for Pointer		X	X	X	X	
37	912.579.1	Roll Pin		X	X	X	X	4 X 20

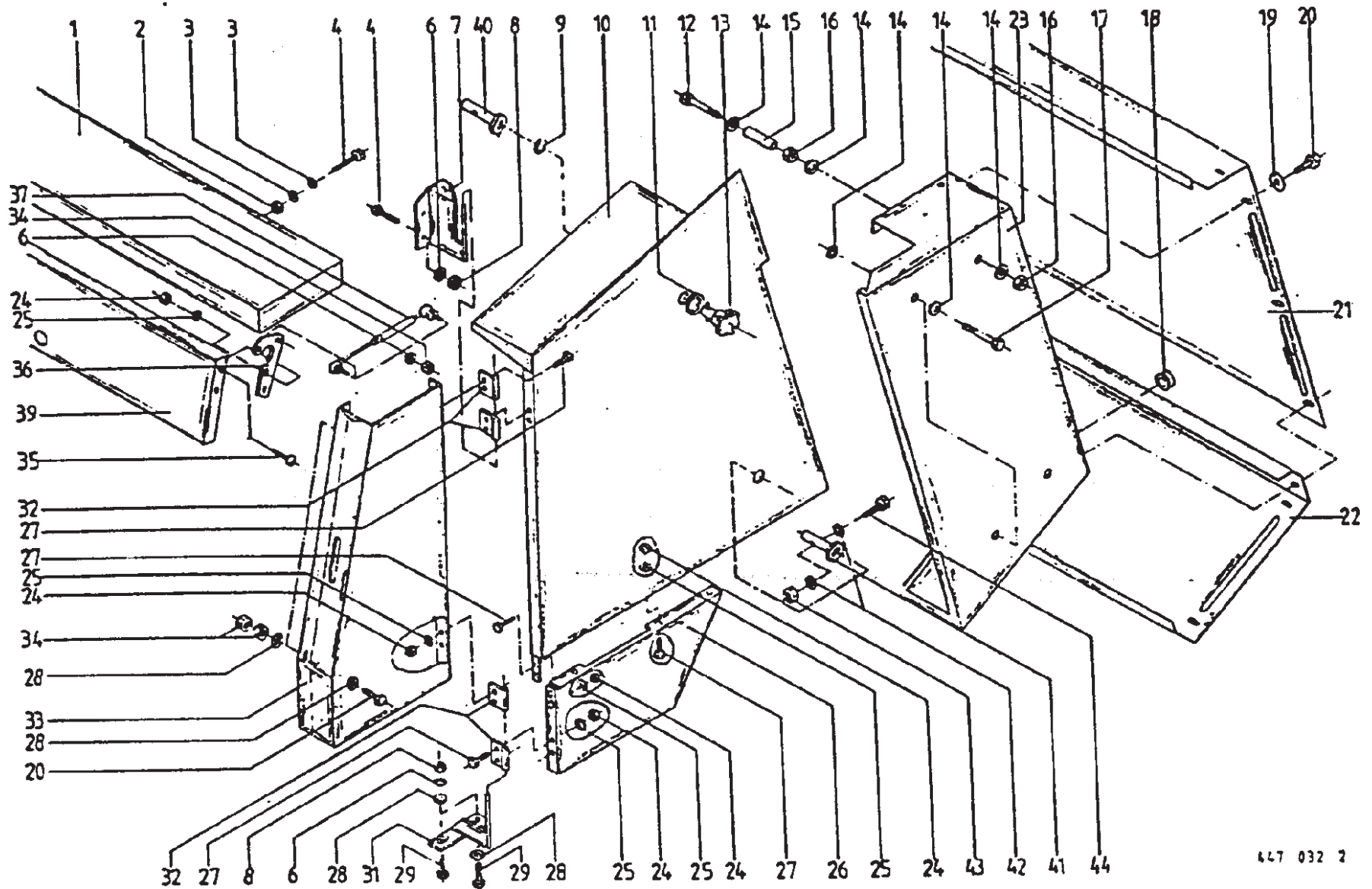


447 243 2

**Tailgate Lock & Filling Indicators**

## Tailgate Lock & Filling Indicators

Item	Part Number	Description	Serial # Ranges	KR-130B	KR-130D WP	KR-160B	KR-160D WP	Notes
38	275.362.2	Rod R/H		X	X			
	275.302.2	Rod R/H				X	X	
39	900.622.0	Hex Head Bolt		X	X	X	X	M8 X 70
40	275.364.0	Cable for Indicator R/H		X	X			
	275.359.0	Cable for Indicator R/H				X	X	
41	274.136.1	Feeler		X	X	X	X	
42	274.059.3	Tailgate Latch		X	X	X	X	
43	280.159.1	Pin		X	X	X	X	Rd. 25 X 78
44	912.145.1	Cotter Pin		X	X	X	X	10 X 50
45	900.614.0	Hex Head Bolt		X	X	X	X	M8 X 20
46	274.109.0	Pin		X	X	X	X	Rd. 25 X 70
47	912.615.0	Roll Pin		X	X	X	X	5 X 36
48	274.066.0	Pin		X	X	X	X	Rd. 25 X 70
49	912.670.0	Roll Pin		X	X	X	X	8 X 40
50	912.774.0	Roll Pin		X	X	X	X	13 X 40
51	274.718.1	Clevis		X	X	X	X	
52	908.525.1	Hex Nut		X	X	X	X	M20
53	921.385.4	Hydraulic Cylinder w/Accumulator		X	X	X	X	
54	274.711.3	Lever		X	X			
	274.710.3	Lever				X	X	
57	274.514.1	Adjusting Angle		X	X	X	X	
58	908.704.1	Hex Nut		X	X	X	X	NM6
59	910.603.0	Washer		X	X	X	X	A 8.4
60	901.433.0	Hex Head Bolt		X	X	X	X	M10 X 50

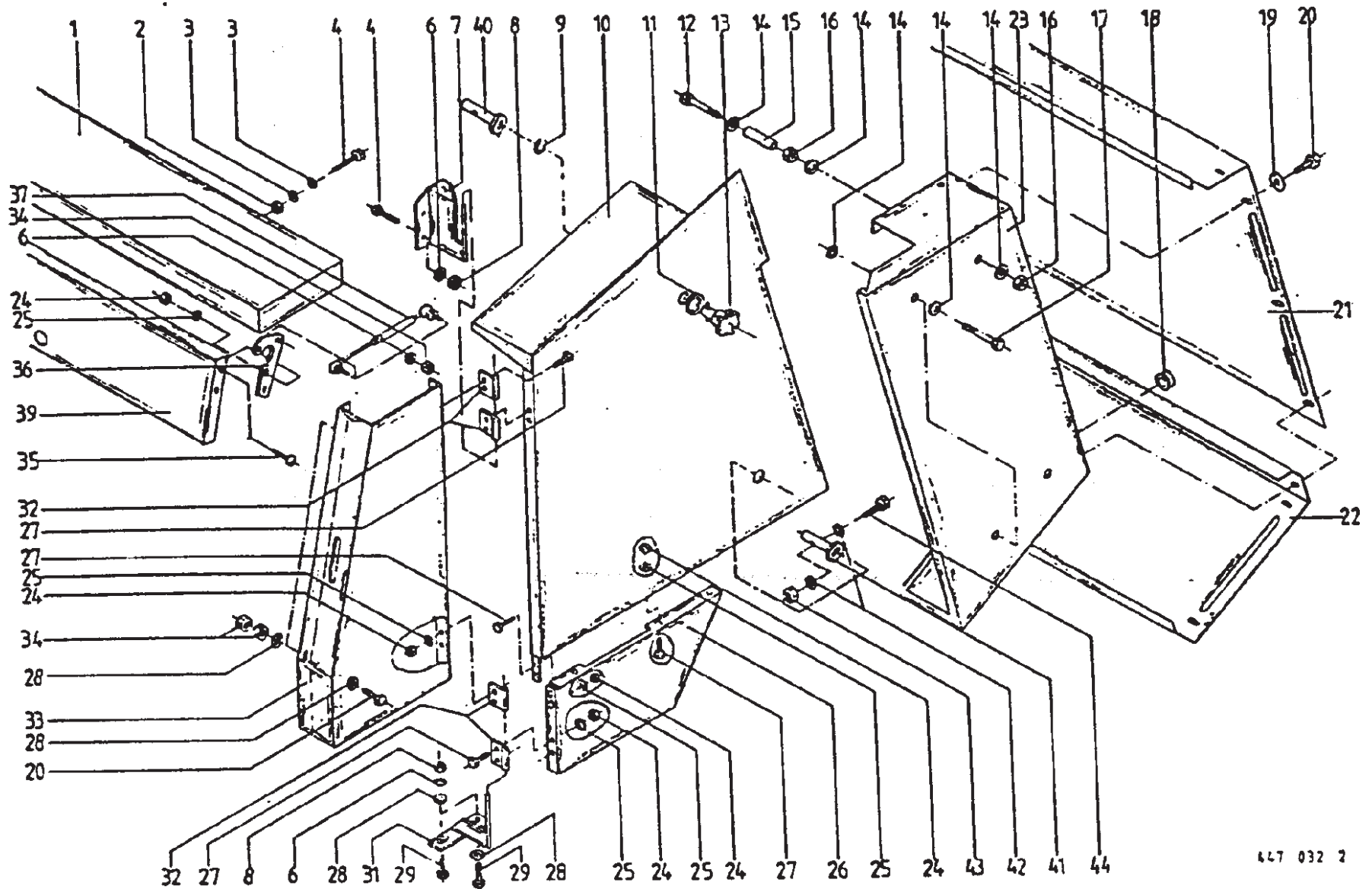


647 032 2

**Front & Rear Guards - KR-130 - Standard Pickup**

## Front & Rear Guards - KR-130 - Standard Pickup

Item	Part Number	Description	Serial # Ranges	KR-130B	KR-130D WP	KR-160B	KR-160D WP	Notes
1	274.576.0	Cover Plate		X				NM8 A 8.4 M8 X 20 B 8
2	908.706.0	Hex Nut		X				
3	910.603.0	Washer		X				
4	900.614.0	Hex Head Bolt		X				
6	910.033.0	Spring Washer		X				
7	274.371.1	Top Guard Holder Left		X				
	274.372.1	Top Guard Holder Right		X				M8  Includes Items 24, 25, 27, 32
8	908.210.0	Hex Nut		X				
9	924.251.0	Retaining Washer		X				
10	275.180.5	Side Guard L/H		X				
	275.368.5	Side Guard R/H		X				Includes Items 24, 25, 27, 32 R 14 M10 X 130  R 11
11	910.643.0	Washer		X				
12	901.446.0	Hex Head Bolt		X				
13	924.249.0	Knob		X				
14	910.353.0	Washer		X				
15	274.297.2	Spacer Tube		X				M10 M10 X 20  A 8.4
16	908.212.0	Hex Nut		X				
17	900.634.0	Hex Head Bolt		X				
18	924.208.0	Cable Bushing		X				
19	910.603.0	Washer		X				
20	900.614.0	Hex Head Bolt		X				M8 X 20
21	275.270.3	Top Rear Guard		X				
22	274.641.0	Bottom Rear Guard		X				
23	275.181.6	Side Guard L/H		X				
	275.369.6	Side Guard R/H		X				
24	908.208.0	Hex Nut		X				M6 A 6.4  M6 X 16
25	910.411.1	Washer		X				
26	275.370.2	Lower Side Guard L/H		X				
	275.371.2	Lower Side Guard R/H		X				
27	900.607.0	Hex Head Bolt		X				
28	910.413.0	Washer		X				A 8.4 M8 X 30  Includes Items 24, 25, 27, 32
29	900.617.0	Hex Head Bolt		X				
31	274.367.1	Bottom Guard Holder		X				
32	274.375.2	Hinge		X				
33	275.162.5	Front Guard L/H		X				
	275.163.5	Front Guard R/H		X				
34	908.210.0	Hex Nut		X				M8 M6 X 16
35	905.210.0	Flat Round Bolt		X				

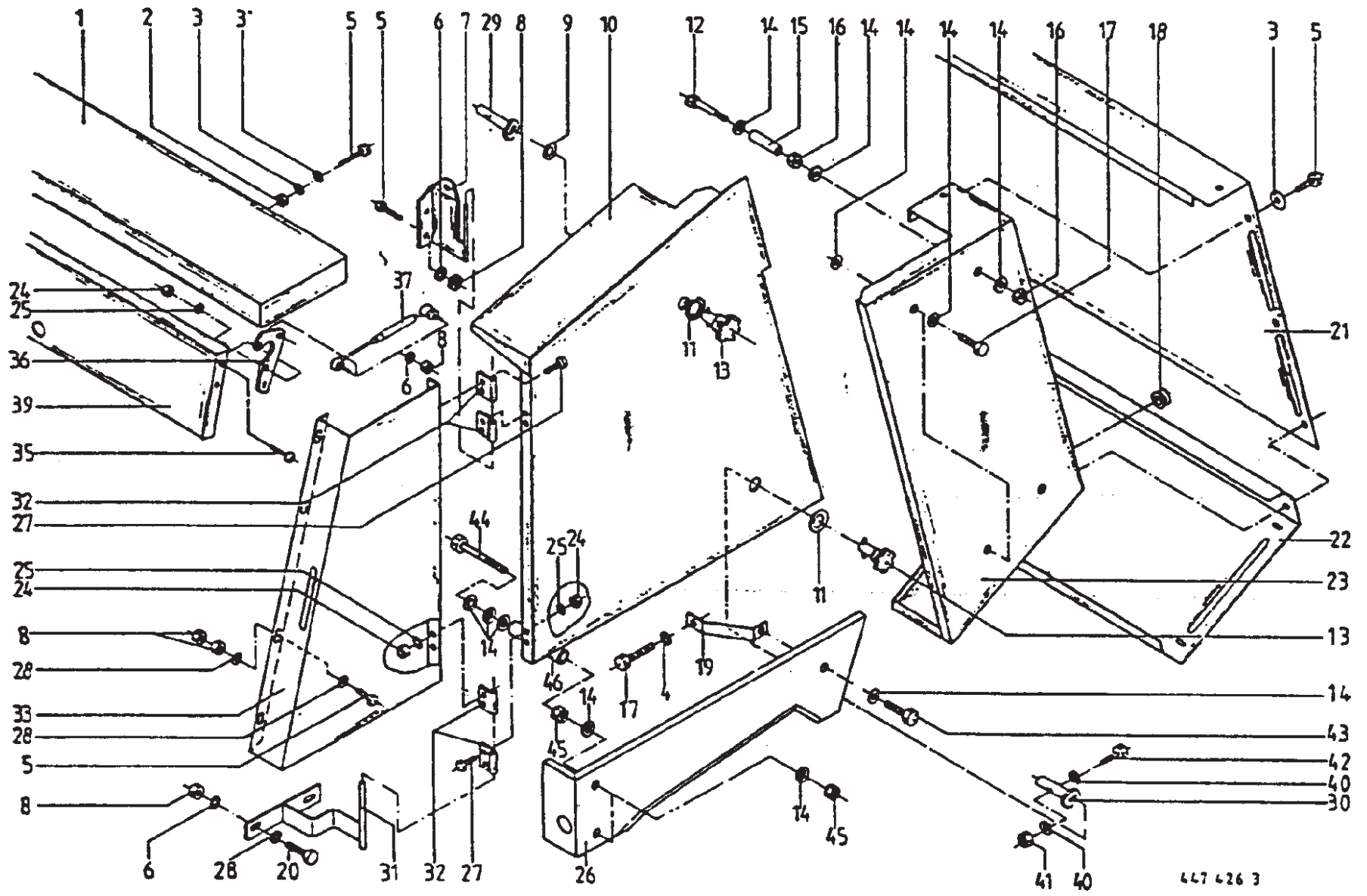


647 032 2

**Front & Rear Guards - KR-130 - Standard Pickup**

## Front & Rear Guards - KR-130 - Standard Pickup

Item	Part Number	Description	Serial # Ranges	KR-130B	KR-130D WP	KR-160B	KR-160D WP	Notes
36	274.611.1	Hinge Plate		X				
37	274.609.0	Gas Strut		X				
39	274.584.1	Twine Box Cover		X				
40	280.761.0	Top Guard Holder		X				
41	280.758.0	Bottom Guard Holder		X				
42	910.414.0	Washer		X				10.5 X 21 X 2
43	908.758.0	Hex Nut		X				NM10
44	901.433.0	Hex Head Bolt		X				M10 X 50

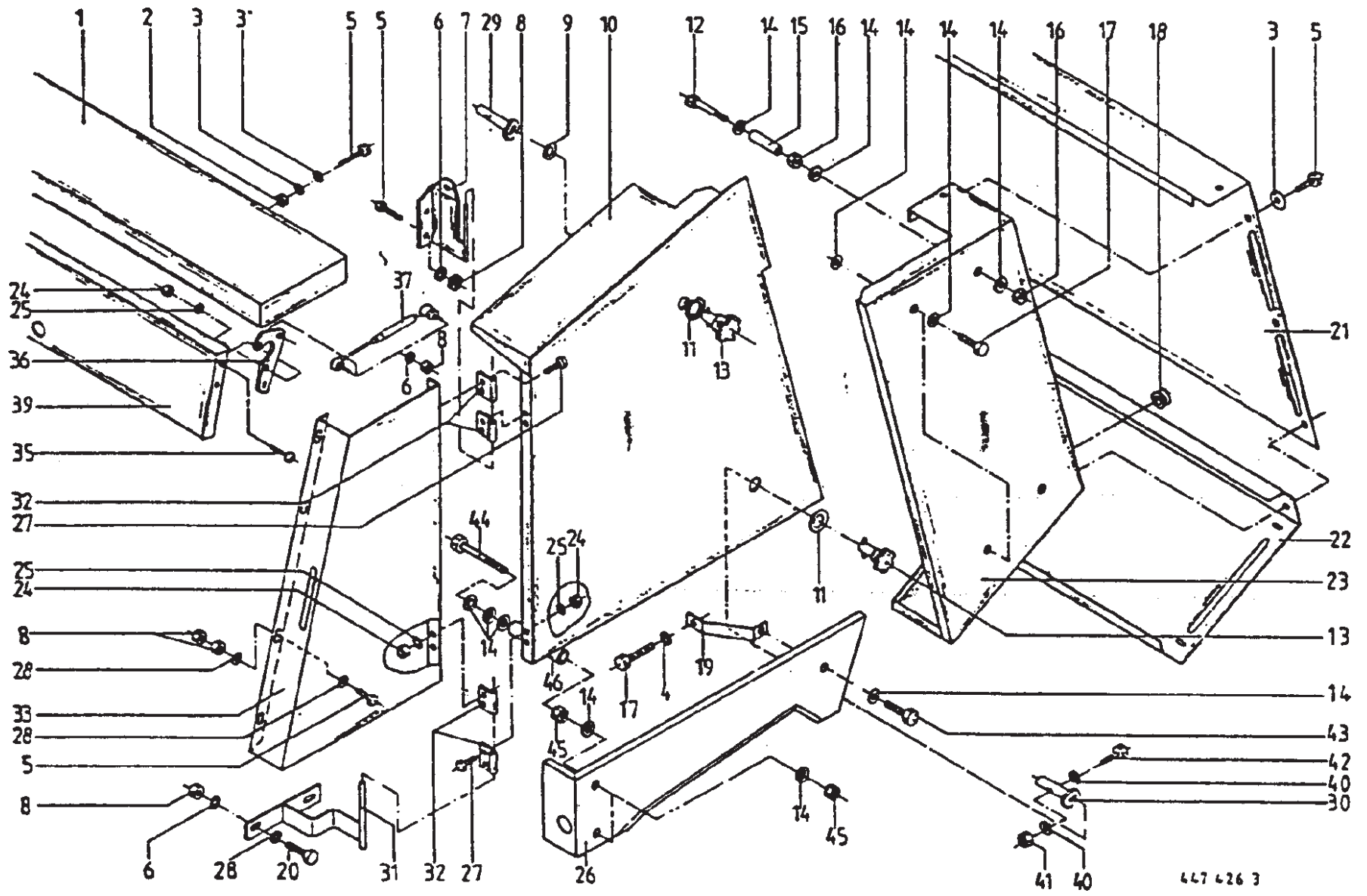


**Front & Rear Guards - KR-130 - Wide Pickup**



## Front & Rear Guards - KR-130 - Wide Pickup

Item	Part Number	Description	Serial # Ranges	KR-130B	KR-130D WP	KR-160B	KR-160D WP	Notes
1	274.576.0	Cover Plate			X			
2	908.706.0	Hex Nut			X			NM8
3	910.603.0	Washer			X			A 8.4
4	910.111.1	Spring Washer			X			B 10
5	900.614.0	Hex Head Bolt			X			M8 X 20
6	910.033.0	Spring Washer			X			B 8
7	274.371.1	Top Guard Holder Left			X			
	274.372.1	Top Guard Holder Right			X			
8	908.210.0	Hex Nut			X			M8
9	924.251.0	Retaining Washer			X			
10	274.819.0	Side Guard L/H			X			Includes Items 24, 25, 27, 32
	274.820.0	Side Guard R/H			X			Includes Items 24, 25, 27, 32
11	910.643.0	Washer			X			R 14
12	901.446.0	Hex Head Bolt			X			M10 X 130
13	924.249.0	Knob			X			
14	910.353.0	Washer			X			R 11
15	274.297.2	Spacer Tube			X			
16	908.212.0	Hex Nut			X			M10
17	900.634.0	Hex Head Bolt			X			M10 X 20
18	924.208.0	Cable Bushing			X			
19	274.993.0	Lower Guard Holder			X			
20	900.616.0	Hex Head Bolt			X			M8 X 25
21	274.823.0	Top Rear Guard			X			
22	274.641.0	Bottom Rear Guard			X			
23	274.821.1	Side Guard L/H			X			
	274.822.1	Side Guard R/H			X			
24	908.208.0	Hex Nut			X			M6
25	910.411.1	Washer			X			A 6.4
26	274.824.0	Lower Side Guard L/H			X			
	274.825.0	Lower Side Guard R/H			X			
27	900.607.0	Hex Head Bolt			X			M6 X 16
28	910.413.0	Washer			X			A 8.4
29	280.761.0	Upper Guard Holder			X			
30	280.758.0	Lower Guard Holder			X			
31	274.815.0	Bottom Guard Holder L/H			X			
	274.816.0	Bottom Guard Holder R/H			X			
32	274.375.2	Hinge			X			
33	275.642.0	Front Guard L/H			X			Includes Items 24, 25, 27, 32

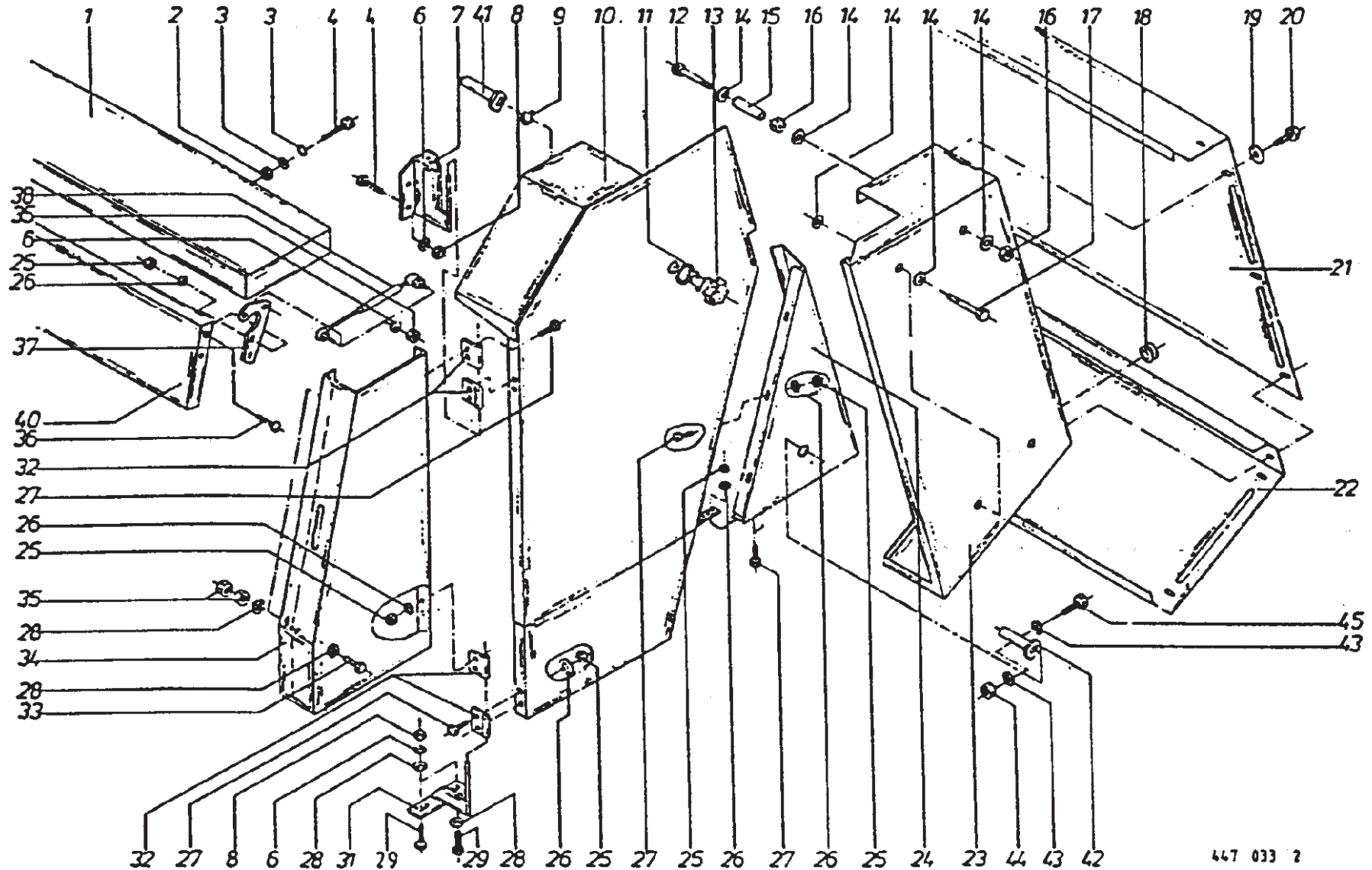


**Front & Rear Guards - KR-130 - Wide Pickup**

447 426 3

## Front & Rear Guards - KR-130 - Wide Pickup

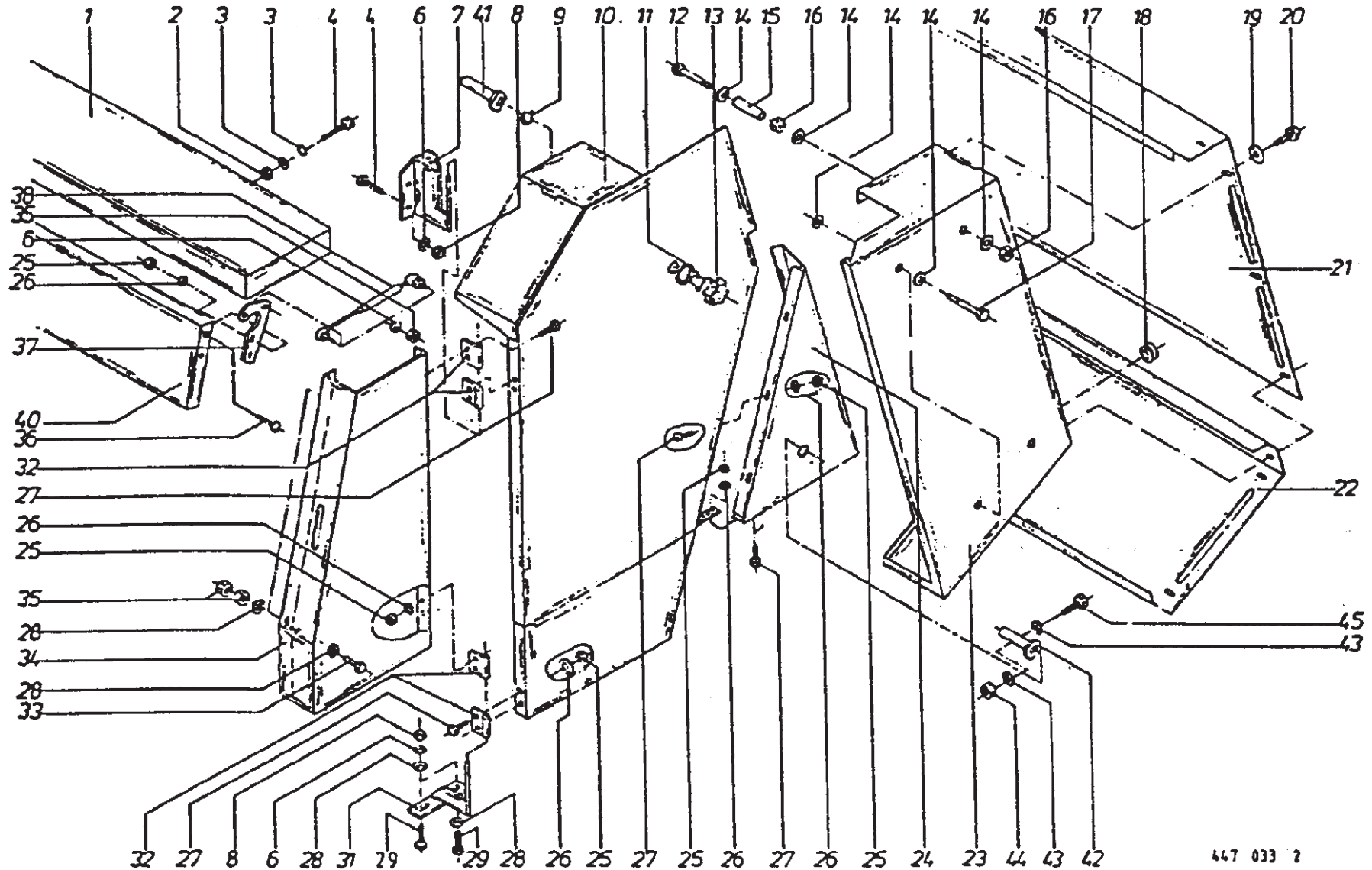
Item	Part Number	Description	Serial # Ranges	KR-130B	KR-130D WP	KR-160B	KR-160D WP	Notes
33	275.643.0	Front Guard R/H			X			Includes Items 24, 25, 27, 32 M6 X 16
35	905.210.0	Flat Round Bolt			X			
36	274.611.1	Hinge Plate			X			
37	274.609.0	Gas Strut			X			
39	274.584.1	Twine Box Cover			X			
40	910.414.0	Washer			X			10.5 X 21 X 2 NM10 M10 X 50 M10 X 16 M10 X 140
41	908.758.0	Hex Nut			X			
42	901.433.0	Hex Head Bolt			X			
43	900.632.0	Hex Head Bolt			X			
44	901.447.0	Hex Head Bolt			X			M10 X 140
45	908.212.0	Hex Nut			X			M10
46	274.297.2	Spacer Tube			X			



**Front & Rear Guards - KR-160 - Standard Pickup**

## Front & Rear Guards - KR-160 - Standard Pickup

Item	Part Number	Description	Serial # Ranges	KR-130B	KR-130D WP	KR-160B	KR-160D WP	Notes
1	274.576.0	Cover Plate				X		
2	908.706.0	Hex Nut				X		NM8
3	910.603.0	Washer				X		A 8.4
4	900.614.0	Hex Head Bolt				X		M8 X 20
6	910.033.0	Spring Washer				X		B 8
7	274.371.1	Top Guard Holder Left				X		
	274.372.1	Top Guard Holder Right				X		
8	908.210.0	Hex Nut				X		M8
9	924.251.0	Retaining Washer				X		
10	275.182.4	Side Guard L/H				X		Includes Items 25-27, 32
	275.347.4	Side Guard R/H				X		Includes Items 25-27, 32
11	910.643.0	Washer				X		R 14
12	901.446.0	Hex Head Bolt				X		M10 X 130
13	924.249.0	Knob				X		
14	910.353.0	Washer				X		R 11
15	274.297.2	Spacer Tube				X		
16	908.212.0	Hex Nut				X		M10
17	900.634.0	Hex Head Bolt				X		M10 X 20
18	924.208.0	Cable Bushing				X		
19	910.603.0	Washer				X		A 8.4
20	900.614.0	Hex Head Bolt				X		M8 X 20
21	275.269.3	Top Rear Guard				X		
22	274.640.0	Bottom Rear Guard				X		
23	275.183.6	Side Guard L/H				X		
	275.348.6	Side Guard R/H				X		
24	275.366.0	Guard L/H				X		
	275.367.0	Guard R/H				X		
25	908.208.0	Hex Nut				X		M6
26	910.411.1	Washer				X		A 6.4
27	900.607.0	Hex Head Bolt				X		M6 X 16
28	910.413.0	Washer				X		A 8.4
29	900.617.0	Hex Head Bolt				X		M8 X 30
31	274.367.1	Bottom Guard Holder				X		
32	274.375.2	Hinge				X		
33	900.614.0	Hex Head Bolt				X		M8 X 20
34	275.162.5	Front Guard L/H				X		Includes Items 25-27, 32
	275.163.5	Front Guard R/H				X		Includes Items 25-27, 32
35	908.210.0	Hex Nut				X		M8

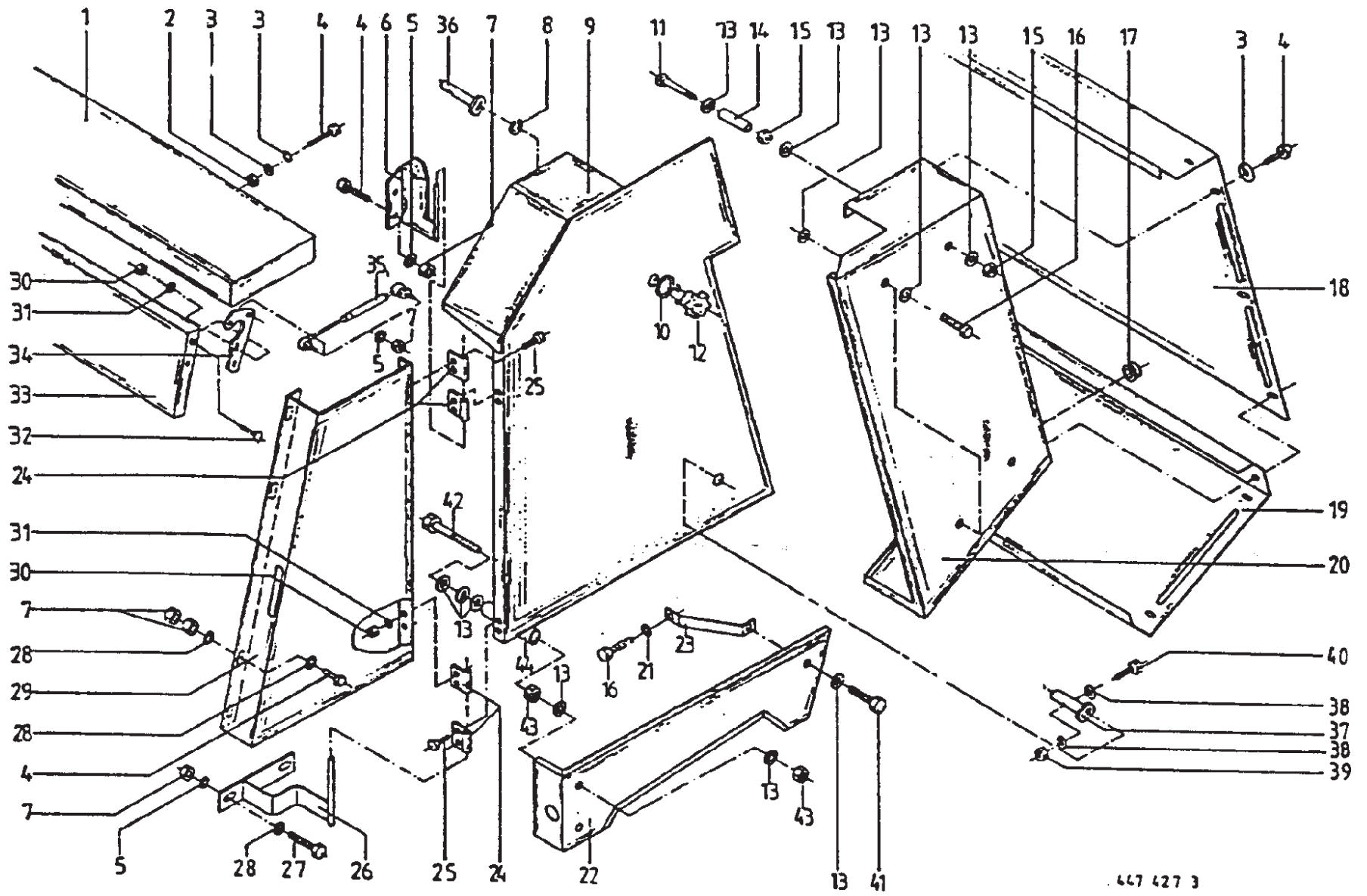


447 033 2

**Front & Rear Guards - KR-160 - Standard Pickup**

## Front & Rear Guards - KR-160 - Standard Pickup

Item	Part Number	Description	Serial # Ranges	KR-130B	KR-130D WP	KR-160B	KR-160D WP	Notes
36	905.210.0	Flat Round Bolt				X		M6 X 16
37	274.611.1	Hinge Plate				X		
38	274.609.0	Gas Strut				X		
40	274.584.1	Twine Box Cover				X		
41	280.761.0	Top Guard Holder				X		
42	280.758.0	Bottom Guard Holder				X		10.5 X 21 X 2 NM10 M10 X 50
43	910.414.0	Washer				X		
44	908.758.0	Hex Nut				X		
45	901.433.0	Hex Head Bolt				X		



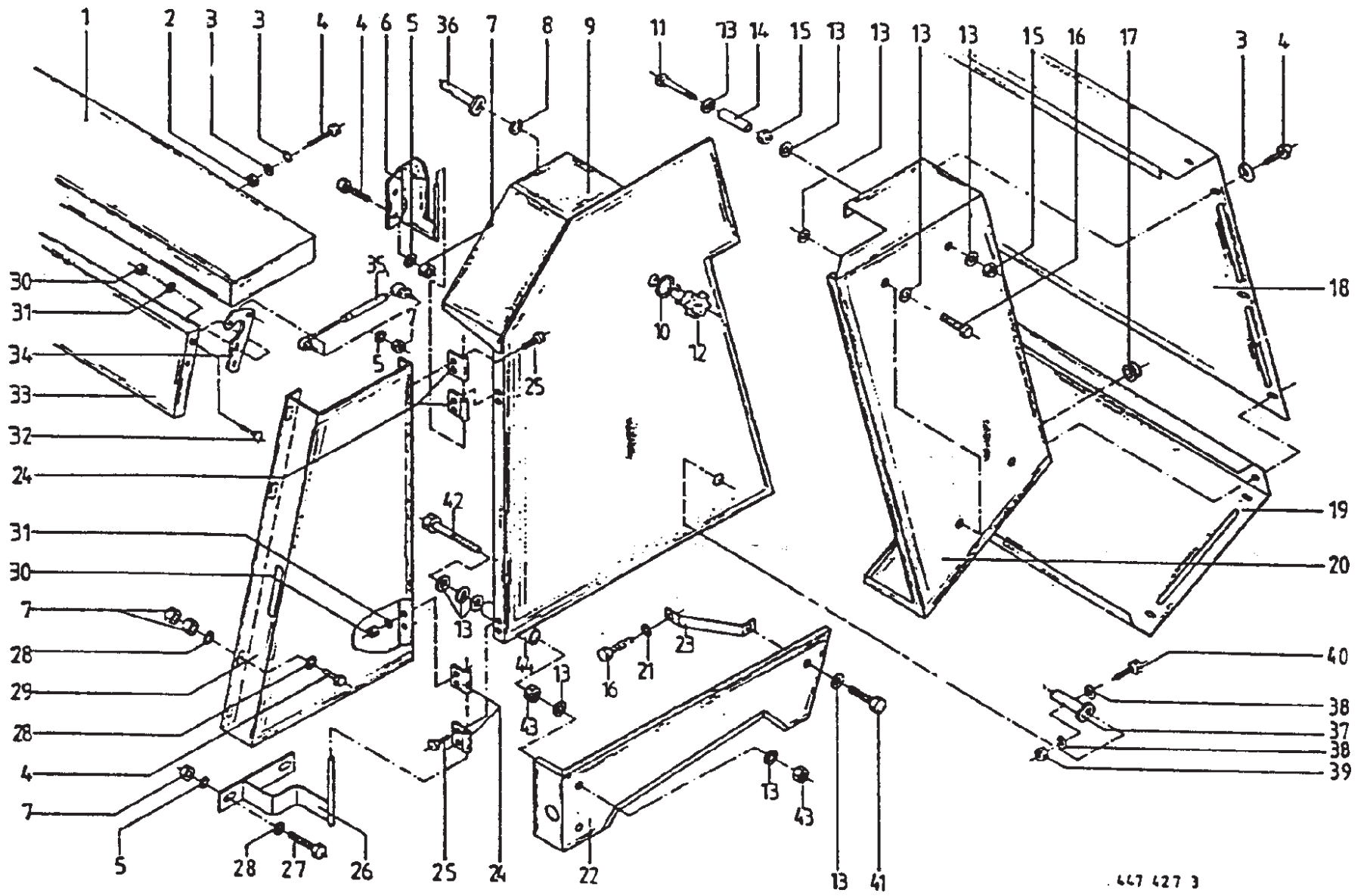
**Front & Rear Guards - KR-160 - Wide Pickup**

447 427 3



## Front & Rear Guards - KR-160 - Wide Pickup

Item	Part Number	Description	Serial # Ranges	KR-130B	KR-130D WP	KR-160B	KR-160D WP	Notes
1	274.576.0	Cover Plate					X	
2	908.706.0	Hex Nut					X	NM8
3	910.603.0	Washer					X	A 8.4
4	900.614.0	Hex Head Bolt					X	M8 X 20
5	910.033.0	Spring Washer					X	B 8
6	274.371.1	Top Guard Holder Left					X	
	274.372.1	Top Guard Holder Right					X	
7	908.210.0	Hex Nut					X	M8
8	924.251.0	Retaining Washer					X	
9	275.644.0	Side Guard L/H					X	Includes Items 24, 25, 30, 31
	275.645.0	Side Guard R/H					X	Includes Items 24, 25, 30, 31
10	910.643.0	Washer					X	R 14
11	901.446.0	Hex Head Bolt					X	M10 X 130
12	924.249.0	Knob					X	
13	910.353.0	Washer					X	R 11
14	274.297.2	Spacer Tube					X	
15	908.212.0	Hex Nut					X	M10
16	900.634.0	Hex Head Bolt					X	M10 X 20
17	924.208.0	Cable Bushing					X	
18	275.648.0	Top Rear Guard					X	
19	274.640.0	Bottom Rear Guard					X	
20	275.646.1	Side Guard L/H					X	
	275.647.1	Side Guard R/H					X	
21	910.111.1	Spring Washer					X	B 10
22	275.649.0	Lower Guard L/H					X	
	275.650.0	Lower Guard R/H					X	
23	274.993.0	Lower Guard Holder					X	
24	274.375.2	Hinge					X	
25	900.607.0	Hex Head Bolt					X	M6 X 16
26	274.815.0	Lower Guard Holder L/H					X	
	274.816.0	Lower Guard Holder R/H					X	
27	900.616.0	Hex Head Bolt					X	M8 X 25
28	910.413.0	Washer					X	A 8.4
29	275.642.0	Side Guard L/H					X	Includes Items 24, 25, 30, 31
	275.643.0	Side Guard R/H					X	Includes Items 24, 25, 30, 31
30	908.208.0	Hex Nut					X	M6
31	910.411.1	Washer					X	A 6.4
32	905.210.0	Flat Round Bolt					X	M6 X 16

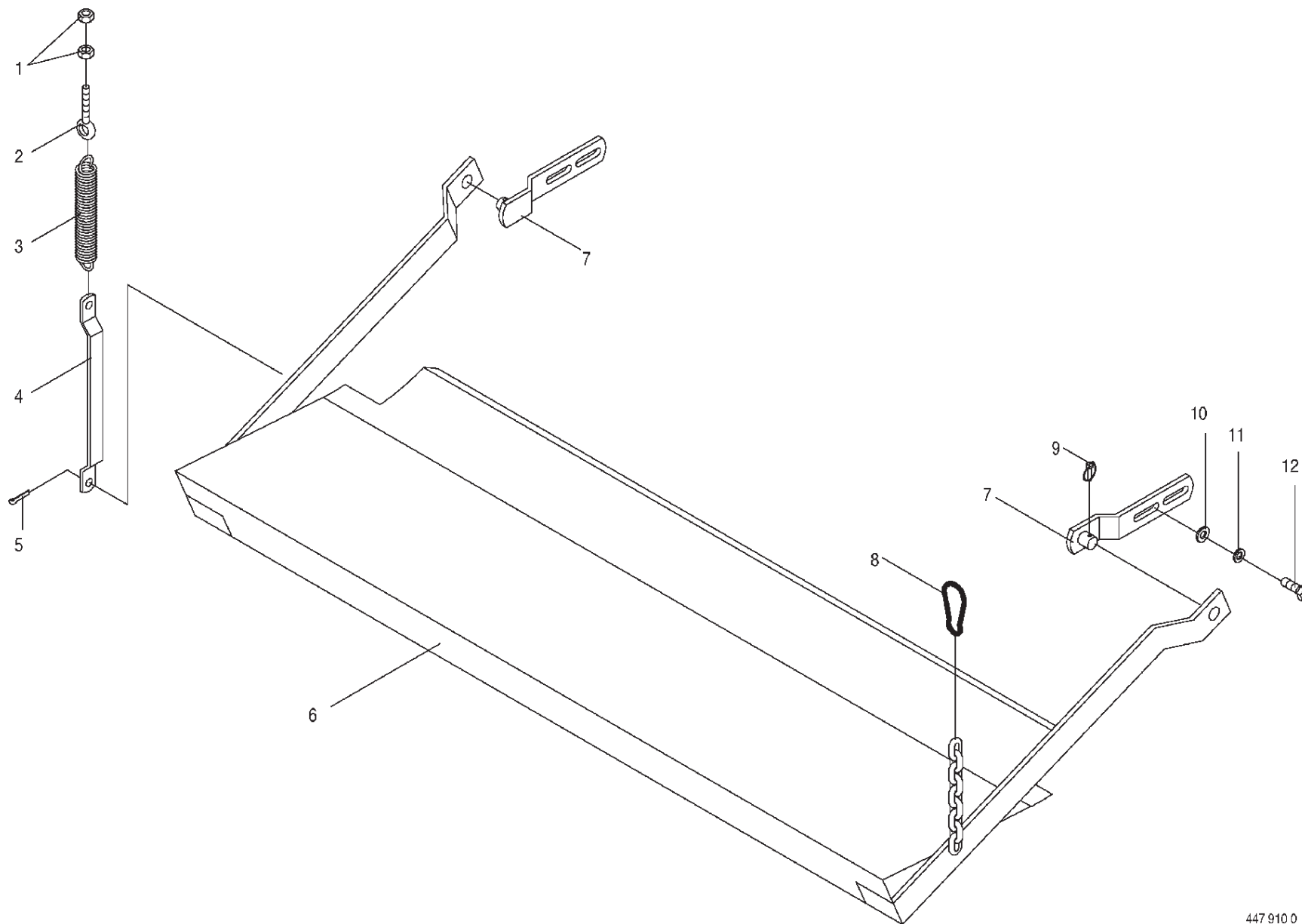


**Front & Rear Guards - KR-160 - Wide Pickup**

447 427 3

## Front & Rear Guards - KR-160 - Wide Pickup

Item	Part Number	Description	Serial # Ranges	KR-130B	KR-130D WP	KR-160B	KR-160D WP	Notes
33	274.584.1	Twine Box Cover					X	
34	274.611.1	Hinge Plate					X	
35	274.609.0	Gas Strut					X	
36	280.761.0	Upper Guard Holder					X	
37	280.758.0	Lower Guard Holder					X	
38	910.414.0	Washer					X	10.5 X 21 X 2
39	908.758.0	Hex Nut					X	NM10
40	901.433.0	Hex Head Bolt					X	M10 X 50
41	900.632.0	Hex Head Bolt					X	M10 X 16
42	901.447.0	Hex Head Bolt					X	M10 X 140
43	908.212.0	Hex Nut					X	M10
44	274.297.2	Spacer Tube					X	

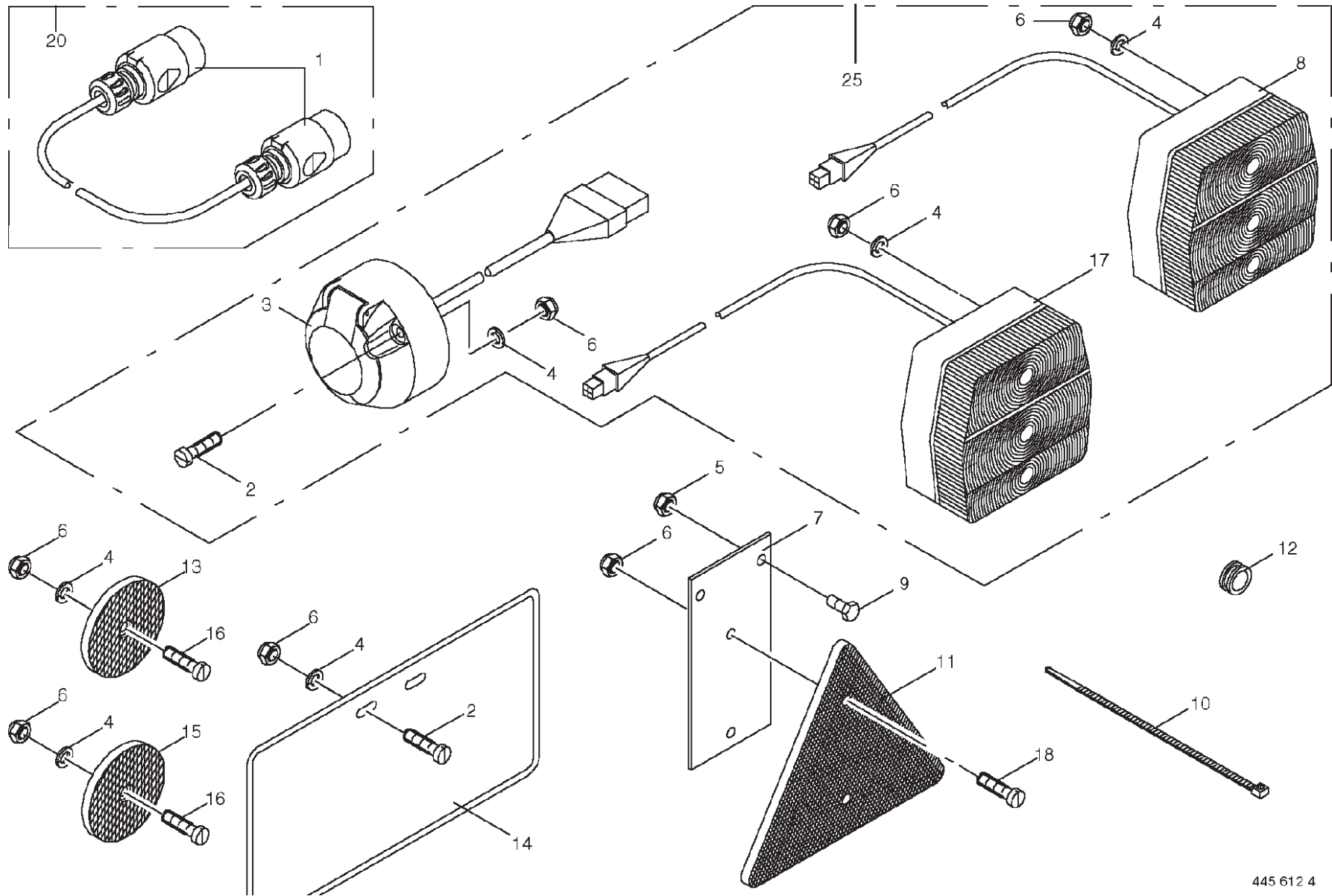


447 910 0

# Baffle Plate

## Baffle Plate

Item	Part Number	Description	Serial # Ranges	KR-130B	KR-130D WP	KR-160B	KR-160D WP	Notes
1	908.212.0	Hex Nut		X	X	X	X	M10
2	905.338.0	Eye Bolt		X	X	X	X	M10 X 110
3	030.213.1	Tension Spring		X	X	X	X	
4	274.671.0	Tension Bracket		X	X	X	X	
5	912.067.1	Cotter Pin		X	X	X	X	4 X 32
6	280.995.0	Baffle Plate		X	X	X	X	
7	274.653.1	Mounting Bracket		X	X	X	X	
8	917.802.1	Spring Hook		X	X	X	X	C 70
9	917.004.1	Lynch Pin		X	X	X	X	5 X 32
10	910.506.0	Washer		X	X	X	X	14
11	910.035.0	Spring Washer		X	X	X	X	B 12
12	900.655.0	Hex Head Bolt		X	X	X	X	M12 X 25

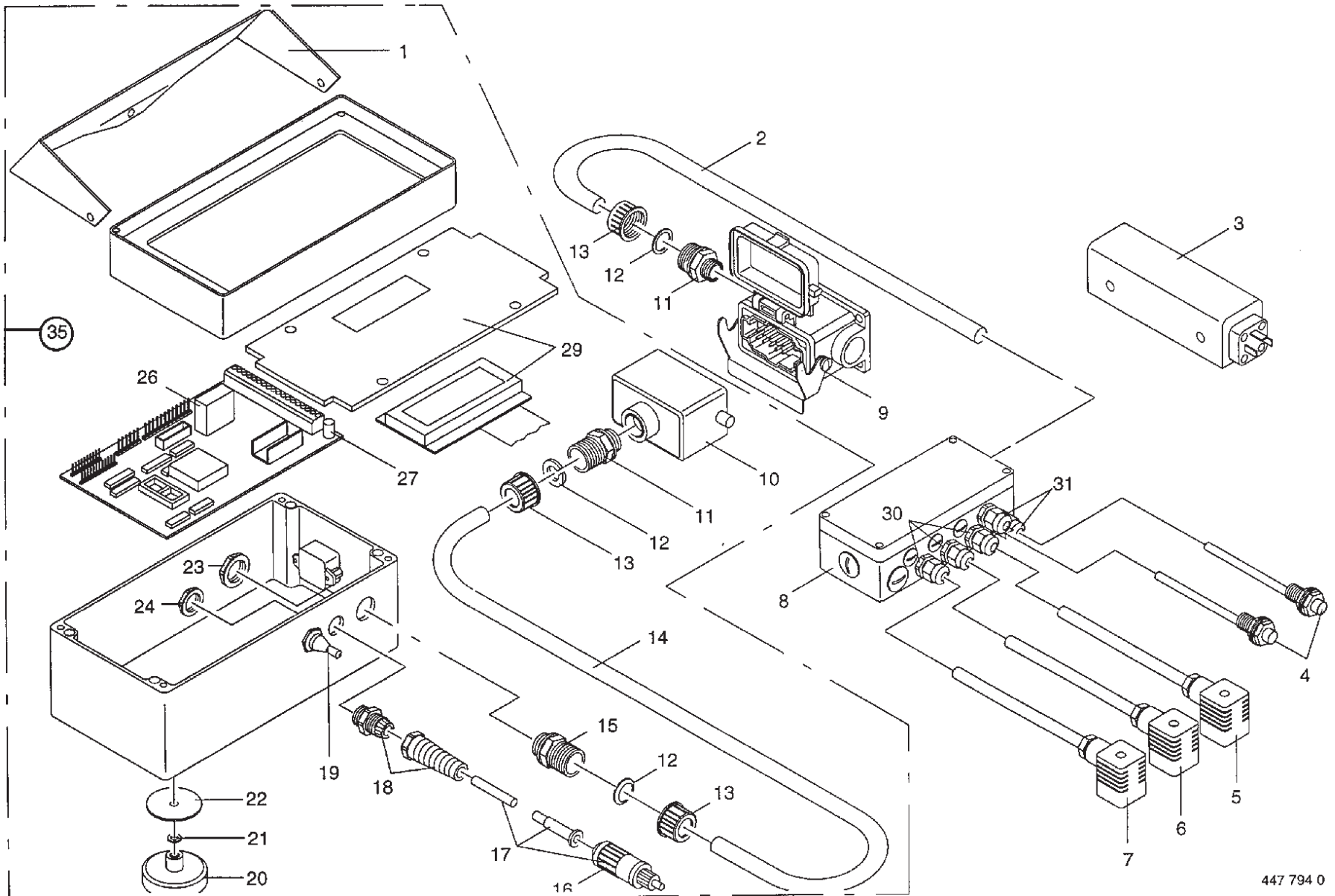


445 612 4

# Lighting

## Lighting

Item	Part Number	Description	Serial # Ranges	KR-130B	KR-130D WP	KR-160B	KR-160D WP	Notes
1	924.576.0	Seven Pin Plug		X	X	X	X	AM 5 X 30 7 Pole B5 M6
2	903.661.0	Allen Screw		X	X	X	X	
3	924.612.0	Cable Complete		X	X	X	X	
4	910.031.0	Spring Washer		X	X	X	X	
5	908.208.0	Hex Nut		X	X	X	X	
6	908.207.0	Hex Nut		X	X	X	X	M5   M6 X 10
7	275.415.1	Reflector Holder		X	X	X	X	
8	924.670.0	Lamp R/H		X	X	X	X	
9	900.605.0	Hex Head Bolt		X	X	X	X	
10	922.673.0	Plastic Tie		X	X	X	X	13 X 240
11	924.532.0	Rear Reflector		X	X	X	X	
12	924.208.0	Cable Grommet		X	X	X	X	
13	924.535.1	Rear Reflector Red		X	X	X	X	
14	200.286.1	Registration Plate		X	X	X	X	
15	924.536.0	Side Light Yellow		X	X	X	X	M5 X 16   AM 5 X 16
16	904.345.1	Countersunk Screw		X	X	X	X	
17	924.671.0	Lamp L/H		X	X	X	X	
18	903.745.0	Allen Screw		X	X	X	X	
20	924.610.1	Extension Cable		X	X	X	X	2800mm Long
25	275.086.3	Lighting Complete		X	X	X	X	Excludes Items 2, 4, 6, 13, 15, 16, 20



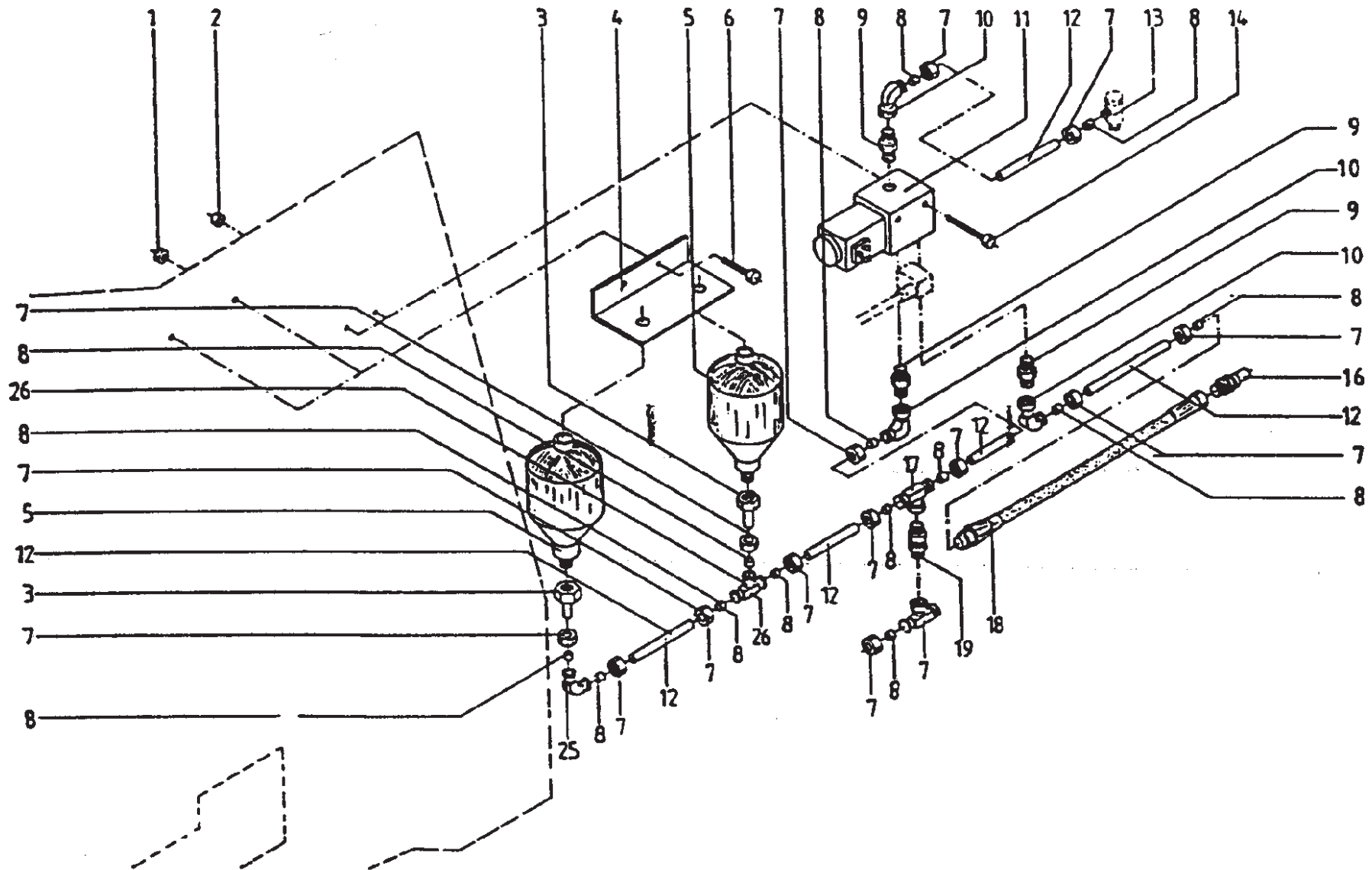
447 794 0

# Comfort Control Electronics



## Comfort Control Electronics

Item	Part Number	Description	Serial # Ranges	KR-130B	KR-130D WP	KR-160B	KR-160D WP	Notes
1	274.986.1	Anti-glare Shield		X	X	X	X	10 X .5qmm 2300mm Long
2	301.319.2	Cable		X	X	X	X	
3	301.185.0	Position Sensor		X	X	X	X	
4	301.023.0	Sensor		X	X	X	X	
5	301.239.0	Cable for R/H Position Sensor		X	X	X	X	
6	301.240.0	Cable for L/H Position Sensor		X	X	X	X	
7	301.485.0	Connection Cable		X	X	X	X	
8	301.229.2	Housing		X	X	X	X	
9	301.295.0	Socket		X	X	X	X	
10	301.294.0	Plug		X	X	X	X	
11	301.083.0	Male Connector		X	X	X	X	Includes Items 10-13
12	301.059.0	Clamping Washer		X	X	X	X	
13	301.044.0	Union Nut		X	X	X	X	
14	301.494.0	Electric Line		X	X	X	X	
15	301.036.0	Male Connector		X	X	X	X	
16	301.017.0	Two-Pin Plug		X	X	X	X	
17	301.180.0	Power Supply 8 A		X	X	X	X	
18	301.008.0	Cable Guide		X	X	X	X	
19	301.775.0	Rocker Switch		X	X	X	X	
20	301.002.0	Magnet		X	X	X	X	
21	910.032.0	Spring Washer		X	X	X	X	B6
22	910.617.0	Washer		X	X	X	X	
23	301.251.0	Locknut		X	X	X	X	Includes Item 27
24	301.250.0	Locknut		X	X	X	X	
25	301.774.0	Circuit Board		X	X	X	X	
26	301.774.0	Circuit Board		X	X	X	X	
27	301.544.0	Plate Fuse		X	X	X	X	1A
29	301.773.0	Front Plate w/Display		X	X	X	X	
30	301.380.0	Cable Union		X	X	X	X	
31	301.549.0	Connector		X	X	X	X	
32	301.478.0	Cable Union		X	X	X	X	
35	301.174.4	Comfort Control Box		X	X	X	X	Includes Items 1, 10-29

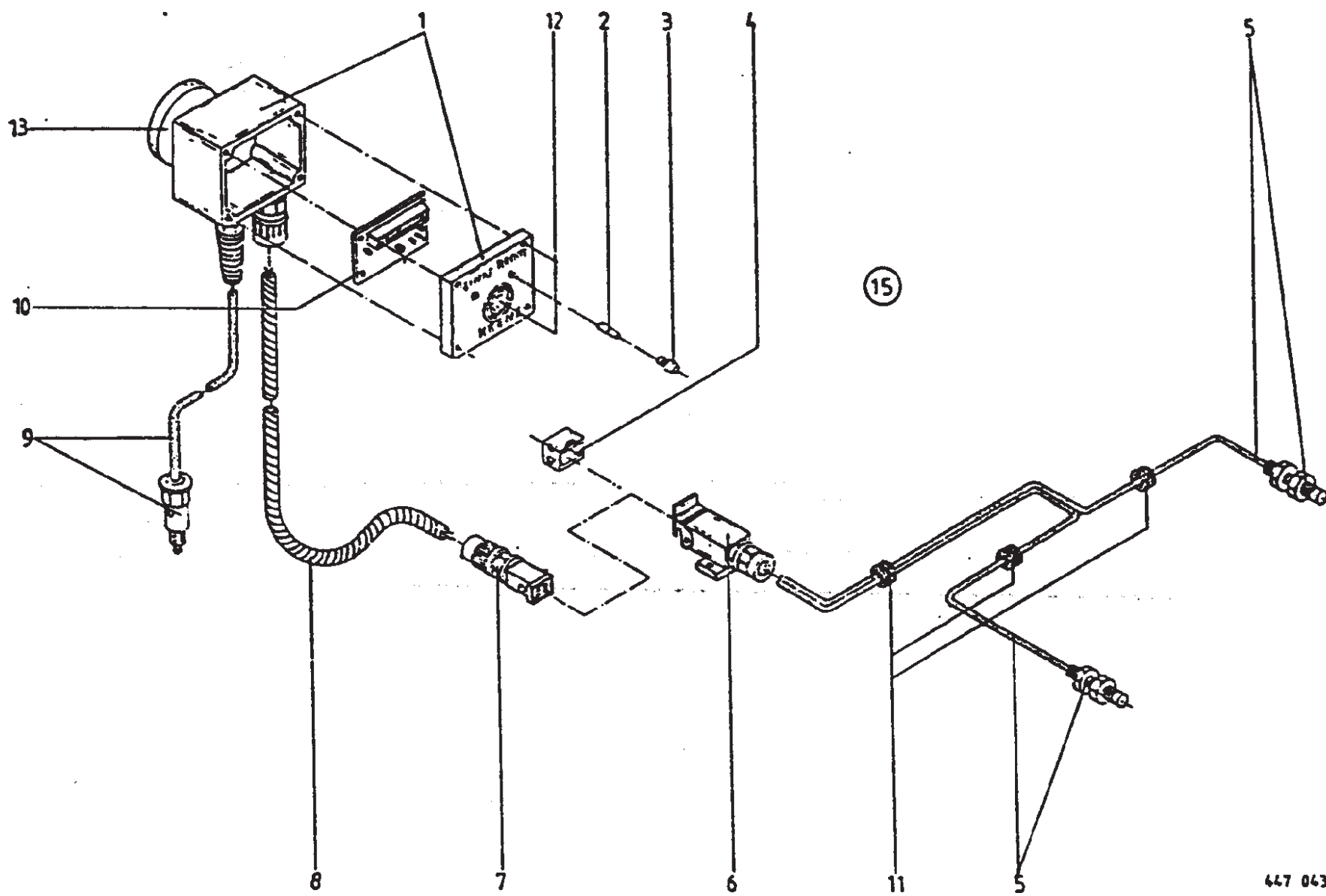


447428 1

# Comfort Control Hydraulics

## Comfort Control Hydraulics

Item	Part Number	Description	Serial # Ranges	KR-130B	KR-130D WP	KR-160B	KR-160D WP	Notes
1	908.706.0	Hex Nut		X	X	X	X	NM8 NM6
2	908.704.1	Hex Nut		X	X	X	X	
3	274.656.0	Adapter		X	X	X	X	
4	274.655.0	Bracket		X	X	X	X	
5	921.212.0	Hydraulic Reservoir		X	X	X	X	
6	900.612.0	Hex Head Bolt		X	X	X	X	M8 X 16
7	921.206.0	Union Nut		X	X	X	X	AL 12
8	921.046.1	Cutting Ring		X	X	X	X	L 12
9	920.901.0	Male Connector		X	X	X	X	L 12 MB / M18 X 1.5
10	921.067.1	Elbow Connector		X	X	X	X	L 12
11	921.161.0	Magnetic Valve		X	X	X	X	12 X 1.5 M6 X 75 NW 10 L 12
12		Hydraulic Tube		X	X	X	X	
14	903.057.0	Allen Screw		X	X	X	X	
16	921.145.0	Coupling		X	X	X	X	
17	921.077.1	T Connector		X	X	X	X	
18	921.038.1	Hydraulic Hose		X	X	X	X	3000mm Long
19	921.148.0	Check Valve		X	X	X	X	S-RV 12 L
25	921.066.1	Elbow Connector		X	X	X	X	L 12
26	921.071.1	T Connector		X	X	X	X	L 12

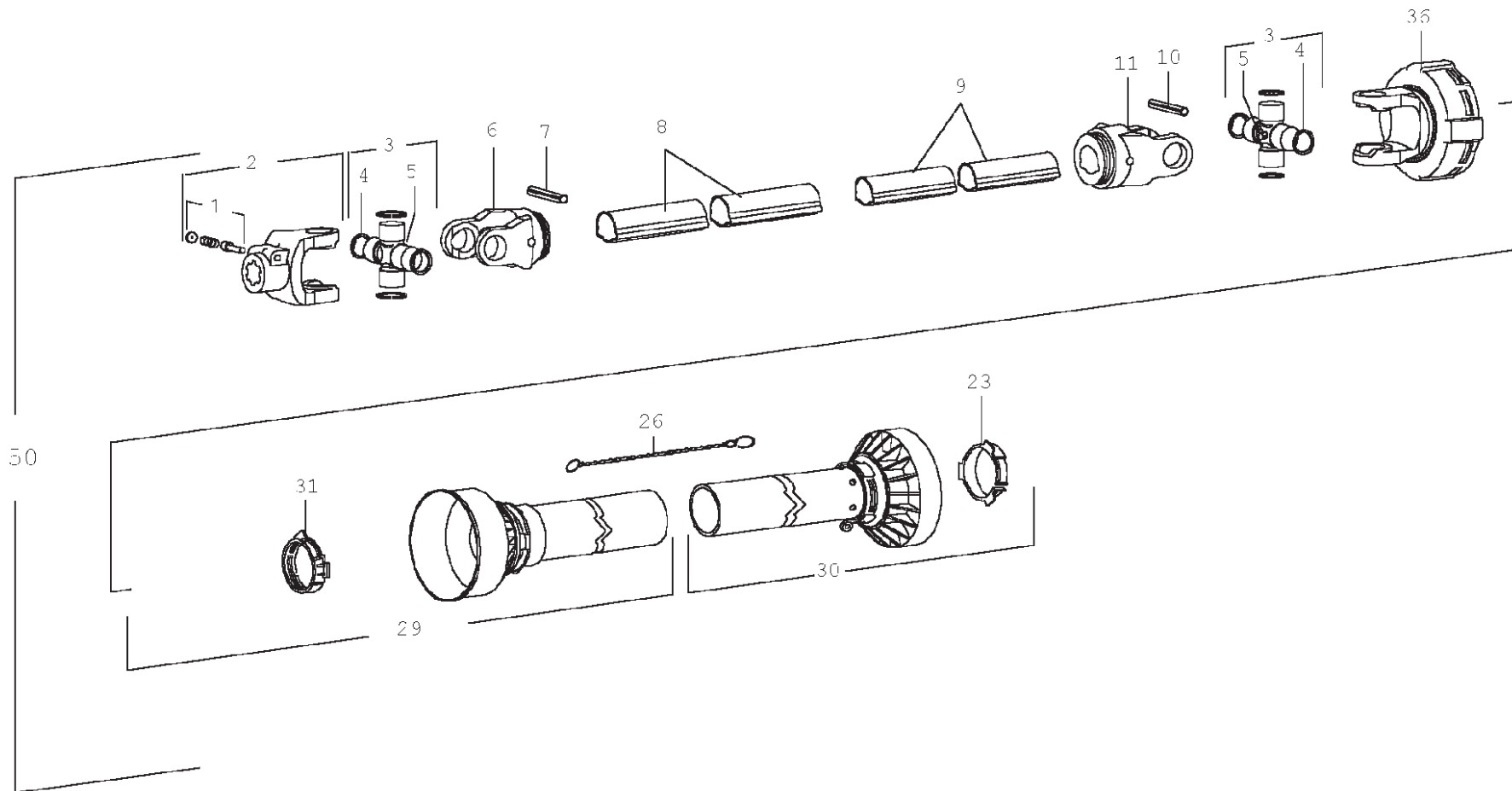


447 043 2

# Bale Monitor

## Bale Monitor

Item	Part Number	Description	Serial # Ranges	KR-130B	KR-130D WP	KR-160B	KR-160D WP	Notes
1	301.010.1	Indicator Housing Complete		X	X	X	X	Includes Items 2, 3, 10
2	301.005.0	Lamp w/Base		X	X	X	X	
3	301.004.0	Signal Light w/Socket - Red		X	X	X	X	
4	301.067.0	Protecting Cap		X	X	X	X	
5	301.023.0	Sensor		X	X	X	X	
6	301.130.0	Housing		X	X	X	X	
7	301.012.1	Plug		X	X	X	X	
8	301.131.0	Cable Protector		X	X	X	X	
9	301.015.0	Power Supply Cable		X	X	X	X	
10	301.020.3	Circuit Board		X	X	X	X	
11	924.207.0	Cable Bushing		X	X	X	X	Includes Items 1-13
12	301.003.1	Buzzer		X	X	X	X	
13	301.002.0	Magnet		X	X	X	X	
15	301.000.0	Bale Monitor Complete		X	X	X	X	

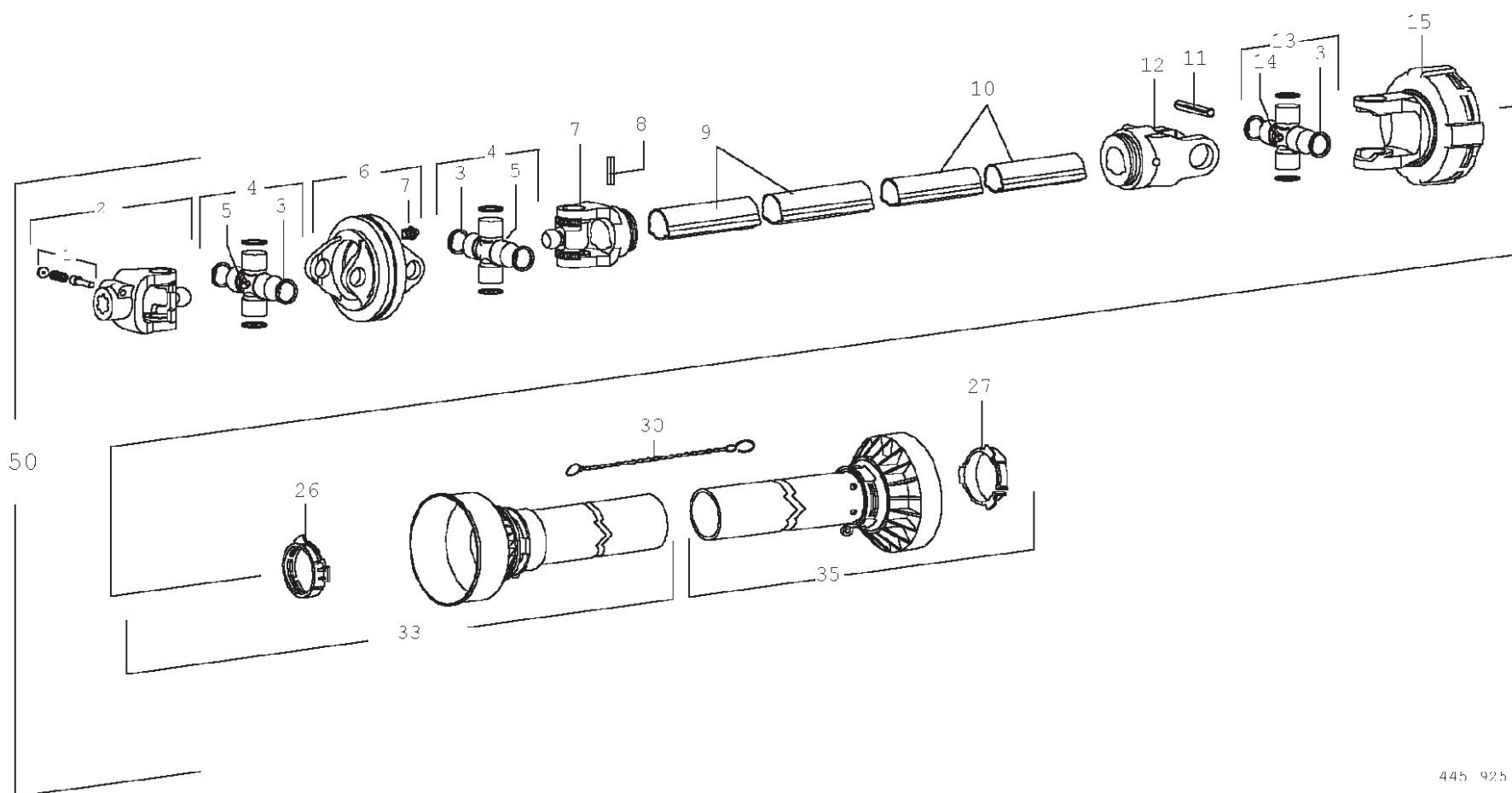


445 924 1

## PTO Shaft - Bondioli Standard

## PTO Shaft - Bondioli Standard

Item	Part Number	Description	Serial # Ranges	KR-130B	KR-130D WP	KR-160B	KR-160D WP	Notes
1	956.111.0	Locking Pin w/Spring		X	X	X	X	
2	956.113.0	Outer Yoke		X	X	X	X	
3	956.426.0	Cross Assembly		X	X	X	X	
4	956.430.0	Circlip		X	X	X	X	
5	919.103.0	Grease Fitting		X	X	X	X	
6	956.435.0	Yoke for Outer Tube		X	X	X	X	
7	912.678.0	Roll Pin		X	X	X	X	
8	956.157.0	Outer Tube		X	X	X	X	1070mm Long
9	956.158.0	Inner Tube		X	X	X	X	1070mm Long
10	912.677.0	Roll Pin		X	X	X	X	
11	956.439.0	Yoke for Inner Tube		X	X	X	X	
22	956.119.0	Ring for Outer Tube		X	X	X	X	
23	956.120.0	Ring for Inner Tube		X	X	X	X	
26	949.852.0	Chain		X	X	X	X	
29	956.159.0	Outer Guard Tube		X	X	X	X	
30	956.160.0	Inner Guard Tube		X	X	X	X	
36	956.141.1	Friction Clutch Complete		X	X	X	X	1000NM
	956.162.1	Friction Discs		2	2	2	2	
50	949.040.2	PTO Shaft Complete		X	X	X	X	



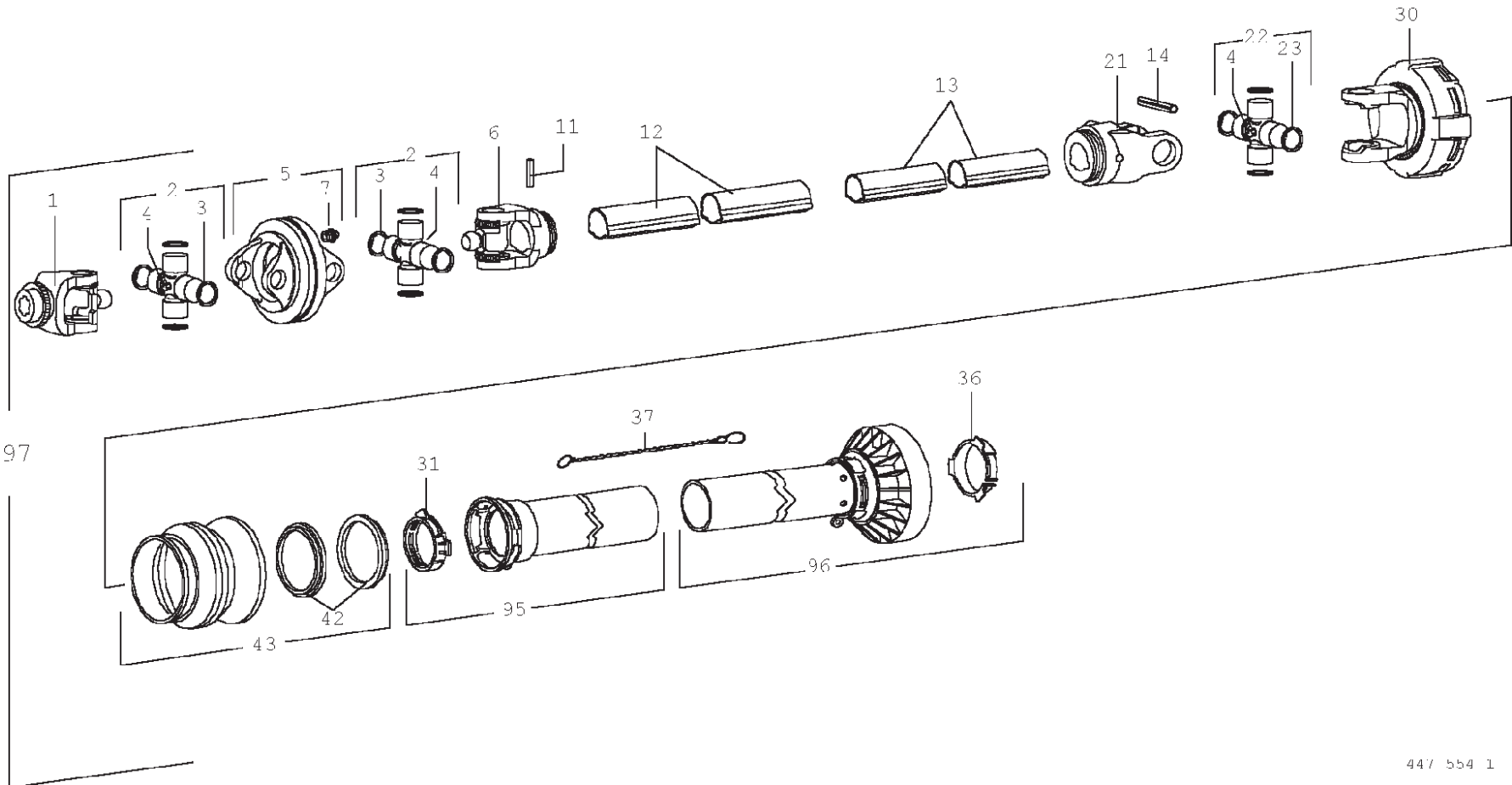
445 925 1

# PTO Shaft - Bondioli CV



## PTO Shaft - Bondioli CV

Item	Part Number	Description	Serial # Ranges	KR-130B	KR-130D WP	KR-160B	KR-160D WP	Notes
1	956.111.0	Locking Pin w/Spring		X	X	X	X	
2	956.135.0	Outer Yoke		X	X	X	X	
3	956.430.0	Circlip		X	X	X	X	
4	956.136.0	Cross Assembly		X	X	X	X	
5	919.002.0	Grease Fitting		X	X	X	X	H1/S M6
6	956.137.0	CV Joint		X	X	X	X	
7	956.138.0	Inner Yoke		X	X	X	X	
8	912.678.0	Roll Pin		X	X	X	X	8 X 60
9	956.139.0	Outer Tube		X	X	X	X	970mm Long
10	956.140.0	Inner Tube		X	X	X	X	970mm Long
11	912.677.0	Roll Pin		X	X	X	X	8 X 55
12	956.439.0	Yoke for Inner Tube		X	X	X	X	
13	956.426.0	Cross Assembly		X	X	X	X	
14	919.103.0	Grease Fitting		X	X	X	X	
15	956.141.1	Friction Clutch		X	X	X	X	1000NM
	956.162.1	Friction Disc		2	2	2	2	
26	956.119.0	Ring for Outer Tube		X	X	X	X	
27	956.120.0	Ring for Inner Tube		X	X	X	X	
30	949.852.0	Chain		X	X	X	X	
33	956.142.1	Outer Guard Tube Complete		X	X	X	X	
34	956.143.1	Inner Guard Tube Complete		X	X	X	X	
50	949.041.2	PTO Shaft Complete		X	X	X	X	



447 554 1

# PTO Shaft - Bondioli 80° CV

## PTO Shaft - Bondioli 80° CV

Item	Part Number	Description	Serial # Ranges	KR-130B	KR-130D WP	KR-160B	KR-160D WP	Notes
1	956.234.0	Outer Yoke		X	X	X	X	I 28 X 1.2 H2/S M8 X 1
2	956.235.0	Cross Assembly		X	X	X	X	
3	949.409.0	Circlip		X	X	X	X	
4	919.103.0	Grease Fitting		X	X	X	X	
5	956.236.0	Wide Angle CV Joint		X	X	X	X	
6	956.237.0	Inner Yoke		X	X	X	X	H1/S M6 8 X 60 970mm Long 970mm Long
7	919.002.0	Grease Fitting		X	X	X	X	
11	912.678.0	Roll Pin		X	X	X	X	
12	956.139.0	Outer Tube		X	X	X	X	
13	956.140.0	Inner Tube		X	X	X	X	
14	912.677.0	Roll Pin		X	X	X	X	8 X 55
21	956.439.0	Yoke for Inner Tube		X	X	X	X	I 27 X 1.2 1000NM
22	956.426.0	Cross Assembly		X	X	X	X	
23	956.430.0	Circlip		X	X	X	X	
30	956.141.1	Friction Clutch		X	X	X	X	
31	956.162.1	Friction Disc		2	2	2	2	
36	956.119.0	Ring for Outer Tube		X	X	X	X	400mm Long
37	949.852.0	Chain		X	X	X	X	
42	956.239.0	Rings		X	X	X	X	
43	956.240.0	Protective Cup		X	X	X	X	
95	956.142.1	Outer Guard Tube		X	X	X	X	
96	956.143.1	Inner Guard Tube		X	X	X	X	
97	956.022.0	PTO Shaft Complete		X	X	X	X	