

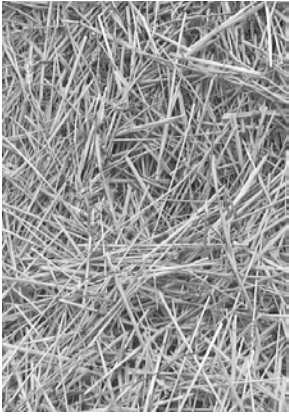
77/107 DRILLS

107 DRILL - S.N. CJ 4427 & UP

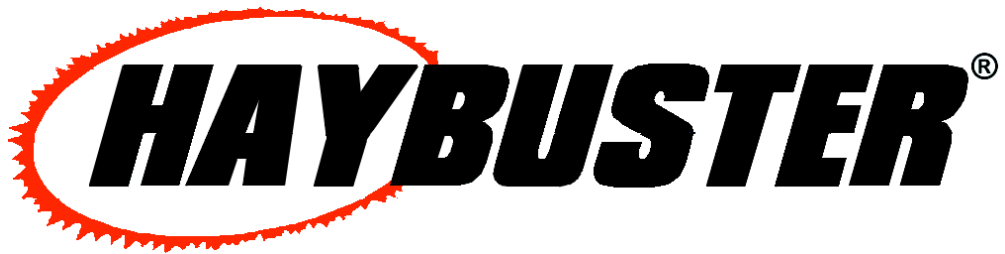
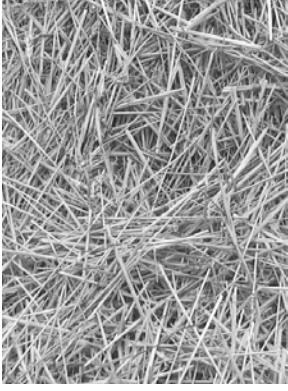
77 DRILL - S.N. CJ 50177 & UP

Operating Instructions and Parts Reference





HAYBUSTER[®]
A Tradition of Innovation Since 1966



77/107 DRILLS



107 DRILL - S.N. CJ 4427 & UP

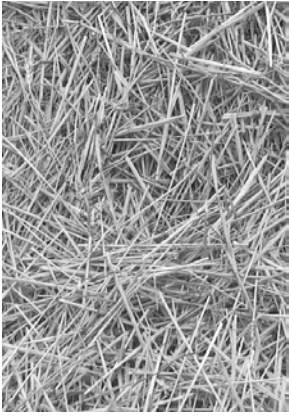
77 DRILL - S.N. CJ 50177 & UP

Operating Instructions and Parts Reference

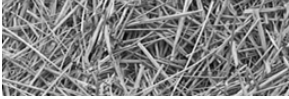
DuraTech Industries International Inc. (DuraTech Industries) has made every effort to assure that this manual completely and accurately describes the operation and maintenance of the 77/107 DRILL™ as of the date of publication. DuraTech Industries reserves the right to make updates to the machine from time to time. Even in the event of such updates, you should still find this manual to be appropriate for the safe operation and maintenance of your unit.

This manual, as well as materials provided by component suppliers to DuraTech Industries are all considered to be part of the information package. Every operator is required to read and understand these manuals, and they should be located within easy access for periodic review.

 **DURATECH**® and  **HAYBUSTER**® are registered trademarks of Duratech Industries International, Inc. 77 DRILL and 107 DRILL are trademarks of Duratech Industries International, Inc.



HAYBUSTER[®]
A Tradition of Innovation Since 1966



Foreword

All personnel must read and understand before operating unit

- Foreword and Section 1, important safety information.
- Section 2, "Dealer Preparation," to verify that the machine has been prepared for use.
- Section 3, "Introduction," which explain normal operation of the machine.
- Section 4.1, "Operating Instructions" Pre-Operation Inspection Check List.

Appropriate use of the unit

The 77/107 Grain Drill is designed to seed No-Till, Minimum Till, or conventionally tilled fields. The two compartment hopper offers the flexibility of seeding with fertilizer, seeding alone, or planting two different seeds.

Operator protection

As with all machinery, care needs to be taken by the operator in order to insure the safety of the operator and those in the surrounding area.



WARNING: Operators and those observing the operation of the 77/107 GRAIN DRILLS are required to wear head, eye, and ear protection. No loose clothing is allowed.

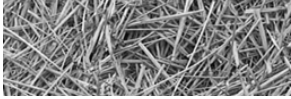


TABLE OF CONTENTS

Part 1: Operating Instructions	
Introduction	2
Purpose	2
Section 1: Safety	3
1.1 Safety-Alert Symbols	3
1.2 Operator - Personal Equipment	5
1.3 Machine Safety Labels	6
1.4 Shielding	8
1.5 Personal Equipment	8
1.6 Safety Review	8
Section 2: Dealer Preparation	12
2.1 Gauge Wheel Attachment	12
2.2 False Bottom Attachment (107 Only)	14
2.3 Drill Legume Box Attachment	16
2.4 Legume Hopper Shipping Kit (Optional)	18
Section 3: Introduction	19
3.1 Ordering Parts	19
3.2 Serial Number Decal	20
3.3 About your 77/107 Grain Drill	20
Section 4: Operating Instructions	21
4.1 Operating Instructions	21
4.2 Grain Drill Setup	22
4.3 Pressure Spring Adjustment	22
4.4 Press Wheel Adjustment	23
4.5 Haybuster 77/107 Drill Opener	24
4.6 Feed Wheel Space Adjustment	25
4.7 100 Drill Cleanout Slides	26
4.8 Calibration Pointer Adjustment	27
4.9 Setting And Checking Feed Rate	28
4.10 Checking Feed Rate	29
4.11 Drilling With The Grain Drill	34
4.12 Suggestions	36
4.13 Rear Wheel Swivel And Ajustment	36
4.14 Transporting The Grain Drill	36
4.16 Preparing For Storage	38
4.17 Removing From Storage	38
Section 5: Lubrication	39
APPENDIX A: WARRANTY	42
APPENDIX B: SPECIFICATIONS	43

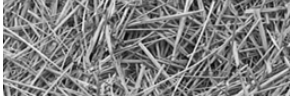


TABLE OF CONTENTS

Part 2: Parts Reference 45

77 MAIN FRAME ASSEMBLY 46

107 MAIN FRAME ASSEMBLY 48

77 DRIVE ASSEMBLY 52

77 DRIVE WHEEL ASSEMBLY 54

107 DRIVE ASSEMBLY 56

TANK END DRIVE (77 & 107) 58

RUN ASSEMBLY (77 & 107) 60

77 TANK ASSEMBLY (DETAIL A) 62

77 TANK ASSEMBLY (DETAIL B) 64

77 TANK ASSEMBLY - BACK 66

107 TANK ASSEMBLY 68

SEED & FERTILIZER SETTING ASSEMBLY 70

SCRAPER ASSEMBLY 71

COULTER & DISK ASSEMBLY 72

PRESS WHEEL ASSEMBLY 73

HUB ASSEMBLY 74

HUB FORK ASSEMBLY 76

FRONT STABILIZER OPTION (107 ONLY) 77

REAR STABILIZER OPTION (107 ONLY) 78

TOW HITCH (107 ONLY) 80

BALLAST BRACKET (77 & 107) 81

HITCH LIFT (107 ONLY) 82

DRILL SINGLE HITCH (77 & 107) 84

2 DRILL HITCH (107 ONLY) 86

3-4 DRILL HITCH (107 ONLY) 88

SINGLE DRILL & 2 DRILL HYDRAULICS 89

3 DRILL HYDRAULICS (107 ONLY) 90

4 DRILL HYDRAULICS (107 ONLY) 91

DECALS 92

DECAL LOCATIONS 95

77 LEGUME BOX OPTION 96

107 LEGUME BOX OPTION 98

SEED INDEX ASSEMBLY LEGUME BOX (DETAIL C) 100

CUP ASSEMBLY LEGUME BOX (DETAIL D) 101

LEGUME DROP TUBE ASSEMBLY 102

LEGUME BOX MOUNTING BRACKET (77 & 107) 104

ACRE COUNTER (OPTION) (77 & 107) 105

FALSE BOTTOM OPTION (107 ONLY) 106

77 NATIVE GRASS KIT OPTION - ADDITIONAL AGITATOR SHAFTS .. 108

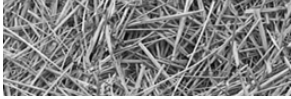
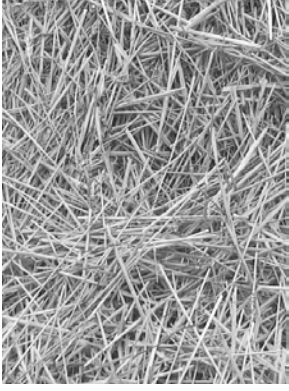


TABLE OF CONTENTS

107 NATIVE GRASS KIT - ADDITIONAL AGITATOR SHAFTS	110
107 NATIVE GRASS KIT - TANK, EXISTING SHAFT MODIFICATIONS.	112
NATIVE GRASS KIT - TANK END DRIVE ASSEMBLY (77 & 107).....	114
NATIVE GRASS KIT - SEED AND FERTILIZER	
SETTING ASSEMBLY (77 & 107)	116
NATIVE GRASS KIT - DROP TUBE AND HOSE (77 & 107)	117
GAUGE WHEELS OPTION (77 & 107)	118
DRILL LIGHT KIT OPTION (77 & 107).....	120
77 / 107 DRILL Documentation Comment Form	123

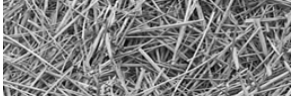


77/107 DRILLS

107 DRILL - S.N. CJ 4427 & UP

77 DRILL - S.N. CJ 50177 & UP

PART 1: Operating Instructions



Introduction

The 77/107 Grain Drills are designed to seed No-Till, Minimum Till, or conventionally tilled fields. Two 30 gallon tanks are available for added ballast to penetrate the tough no-till conditions.

The two compartment hopper offers the flexibility of seeding with fertilizer, seeding alone, or planting two different seeds. The metering system for each hopper is infinitely adjustable.

Field hitches are available for one or multiples of two, three, and four of the model 107 Drill only. A tow hitch is also available for the 107 Drill to allow the towing of two or more drills in transport.

Purpose

The purpose of this owner's manual is to explain maintenance requirements and routine adjustments for the most efficient operation of your 77/107 Grain Drill. There is also a trouble shooting section that may help in case of problems in the field. Any information not covered in this manual may be obtained from your dealer.



Special Note: When reference is made as to front, rear, right hand or left hand of this machine, the reference is always made from standing at the rear end of the machine and looking towards the hitch. Always use serial number and model number when referring to parts or problems. Please obtain your serial number and write it below for your future reference.

MODEL: 77 DRILL
 107 DRILL

SERIAL NO. _____



Section 1: Safety

The safety of the operator is of great importance to DuraTech Industries/Haybuster. We have provided decals, shielding and other safety features to aid you in using your machine safely. In addition, we ask you to be a careful operator who will properly use and service your Haybuster equipment.



WARNING: FAILURE TO COMPLY WITH SAFETY INSTRUCTIONS THAT FOLLOW WITHIN THIS MANUAL COULD RESULT IN SEVERE PERSONAL INJURY OR DEATH. BEFORE ATTEMPTING TO OPERATE THIS MACHINE, CAREFULLY READ ALL INSTRUCTIONS CONTAINED WITHIN THIS MANUAL. ALSO READ THE INSTRUCTION MANUAL PROVIDED WITH YOUR TRACTOR.

THIS MACHINE IS NOT TO BE USED FOR ANY PURPOSE OTHER THAN THOSE EXPLAINED IN THE OPERATOR'S MANUAL, ADVERTISING LITERATURE OR OTHER DURATECH INDUSTRIES WRITTEN MATERIAL PERTAINING TO THE 77/107 GRAIN DRILL.

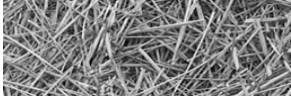
1.1 Safety-alert symbols

Decals are illustrated in **Part 2: Parts Reference**.

The safety decals located on your machine contain important and useful information that will help you operate your equipment safely.

To assure that all decals remain in place and in good condition, follow the instructions below:

- Keep decals clean. Use soap and water - not mineral spirits, adhesive cleaners and other similar cleaners that will damage the decal.
- Replace all damaged or missing decals. When attaching decals, surface temperature of the machine must be at least 40° F (5° C). The surface must be also be clean and dry.
- When replacing a machine component to which a decal is attached, be sure to also replace the decal.



DuraTech Industries uses industry accepted ANSI standards in labeling its products for safety and operational characteristics.



Safety-Alert Symbol

Read and recognize safety information. Be alert to the potential for personal injury when you see this safety-alert symbol.

DANGER: Indicates an imminently hazardous situation that, if not avoided, will result in death or serious injury. This signal word is to be limited to the most extreme situations, typically for machine components that, for functional purposes, cannot be guarded.

WARNING: Indicates a potentially hazardous situation that, if not avoided, could result in death or serious injury, and includes hazards that are exposed when guards are removed. It may also be used to alert against unsafe practices.

CAUTION: Indicates a potentially hazardous situation that, if not avoided, may result in minor or moderate injury. It may also be used to alert against unsafe practices.

This manual uses the symbols to the right to denote important safety instructions and information.

The **DANGER**, **WARNING** and **CAUTION** symbols are used to denote conditions as stated in the text above. Furthermore, the text dealing with these situations is surrounded by a box with a white background, will begin with **DANGER**, **WARNING**, or **CAUTION**.

The **INFORMATION** symbol is used to denote important information or notes in regards to maintenance and use of the machine. The text for this information is surrounded by a box with a light grey background, and will begin with either **Important** or **Note**.



DANGER:
Signal word - White Lettering/Red Background
Safety Alert Symbol - White Triangle/Red Exclamation Point

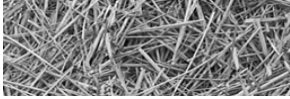


WARNING:
Signal word - Black Lettering/Orange Background
Safety Alert Symbol - Black Triangle/Orange Exclamation Point



CAUTION:
Signal word - Black Lettering/Yellow Background
Safety Alert Symbol - Black Triangle/Yellow Exclamation Point





1.2 Operator - personal equipment

THE OPERATOR

Physical Condition

You must be in good physical condition and mental health and not under the influence of any substance (drugs, alcohol) which might impair vision, dexterity or judgment.

Do not operate a **77/107 DRILL** when you are fatigued. Be alert - If you get tired while operating your **77/107 DRILL**, take a break. Fatigue may result in loss of control. Working with any farm equipment can be strenuous. If you have any condition that might be aggravated by strenuous work, check with your doctor before operating

Proper Clothing



Clothing must be sturdy and snug-fitting, but allow complete freedom of movement. Avoid loosefitting jackets, scarfs, neckties, jewelry, flared or cuffed pants, unconfined long hair or anything that could become entangled with the machine.



Protect your hands with gloves when handling discs and coulters. Heavy duty, nonslip gloves improve your grip and protect your hands.



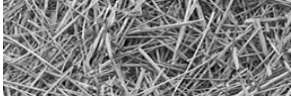
Good footing is most important. Wear sturdy boots with nonslip soles. Steel-toed safety boots are recommended.



To reduce the risk of injury to your eyes never operate a **77/107 DRILL** unless wearing goggles or properly fitted safety glasses with adequate top and side protection.




Tractor noise may damage your hearing. Always wear sound barriers (ear plugs or ear muffers) to protect your hearing. Continual and regular users should have their hearing checked regularly.






1.3 Machine safety labels



The safety decals located on your machine contain important information that will help you operate your equipment. Become familiar with the decals and their locations.

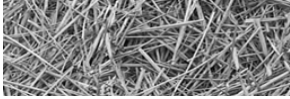
 **WARNING: FOR YOUR PROTECTION AND PROTECTION OF OTHERS, PRACTICE THE FOLLOWING SAFETY RULES.**

1. BEFORE OPERATING THIS MACHINE, READ THE OPERATOR'S MANUALS SUPPLIED WITH THIS MACHINE AND YOUR TRACTOR.
2. CHECK OPERATORS MANUALS TO BE SURE YOUR TRACTOR MEETS THE MINIMUM REQUIREMENTS FOR THIS MACHINE.
3. READ ALL DECALS PLACED ON THIS MACHINE FOR YOUR SAFETY AND CONVENIENCE.
4. NEVER ALLOW RIDERS ON THIS IMPLEMENT OR THE TRACTOR.
5. KEEP OTHERS AWAY FROM THIS MACHINE WHILE IN OPERATION.
6. KEEP ALL SHIELDS IN PLACE WHILE MACHINE IS OPERATING.
7. KEEP HANDS, FEET, LOOSE CLOTHING, ETC., AWAY FROM POWER DRIVEN PARTS.
8. ALWAYS SHUT OFF MACHINE AND ENGINE BEFORE SERVICING, UNCLOGGING, INSPECTING, OR WORKING NEAR THIS MACHINE FOR ANY REASON. ALWAYS PLACE TRANSMISSION IN PARK OR SET PARK BRAKE AND WAIT FOR ALL MOVEMENT TO STOP BEFORE APPROACHING THIS MACHINE.

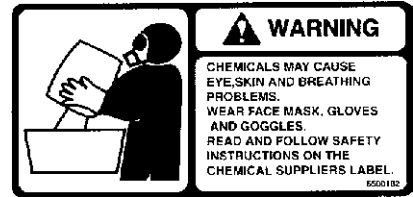
 WARNING	 ADVERTENCIA
<p>FOR YOUR PROTECTION AND PROTECTION OF OTHERS, PRACTICE THE FOLLOWING SAFETY RULES.</p> <ol style="list-style-type: none"> 1. BEFORE OPERATING THIS MACHINE, READ THE OPERATOR'S MANUALS SUPPLIED WITH THIS MACHINE AND YOUR TRACTOR. 2. CHECK OPERATORS MANUALS TO BE SURE YOUR TRACTOR MEETS THE MINIMUM REQUIREMENTS FOR THIS MACHINE. 3. READ ALL DECALS PLACED ON THIS MACHINE FOR YOUR SAFETY AND CONVENIENCE. 4. NEVER ALLOW RIDERS ON THIS IMPLEMENT OR THE TRACTOR. 5. KEEP OTHERS AWAY FROM THIS MACHINE WHILE IN OPERATION. 6. KEEP ALL SHIELDS IN PLACE WHILE MACHINE IS OPERATING. 7. KEEP HANDS, FEET, LOOSE CLOTHING, ETC., AWAY FROM POWER DRIVEN PARTS. 8. ALWAYS SHUT OFF MACHINE AND ENGINE BEFORE SERVICING, UNCLOGGING, INSPECTING, OR WORKING NEAR THIS MACHINE FOR ANY REASON. ALWAYS PLACE TRANSMISSION IN PARK OR SET PARK BRAKE AND WAIT FOR ALL MOVEMENT TO STOP BEFORE APPROACHING THIS MACHINE. 	<p>SIGA LAS REGLAS SIGUIENTES DE SEGURIDAD PARA SU PROTECCION Y LA PROTECCION DE OTROS</p> <ol style="list-style-type: none"> 1. LEA LOS MANUALES DEL OPERADOR INCLUIDOS CON ESTA MAQUINA Y SU TRACTOR ANTES DE OPERAR ESTA MAQUINA. 2. PARA ASEGURARSE QUE SU TRACTOR CUMPLE CON LOS REQUERIMIENTOS MÍNIMOS PARA ESTA MAQUINA, REVISE LOS MANUALES DEL OPERADOR. 3. PARA SU SEGURIDAD Y CONVENIENCIA, LEA TODAS LAS CALCOMANIAS COLUCADAS EN LA MAQUINA. 4. NUNCA PERMITA PASAJEROS EN ESTA MAQUINA O EN EL TRACTOR. 5. MANTENGA ALEJADOS A LOS ESPECTADORES MIENTRAS ESTA MAQUINA ESTE OPERANDO. 6. MANTENGA TODOS LOS PROTECTORES EN SU LUGAR MIENTRAS LA MAQUINA ESTE OPERANDO. 7. MANTENGA LAS MANOS, PIES, ROPAS HOLLADAS, ETC., ALEJADAS DE LAS PIEZAS PROPULSADAS. 8. SIEMPRE APAGUE LA MAQUINA Y EL MOTOR ANTES DE PRESTAR SERVICIO, DESHERRAJAR, INSPECCIONAR O TRABAJAR CERCA DE ESTA MAQUINA POR CUALQUIER MOTIVO. ANTES DE ACERCARSE A ESTA MAQUINA COLOQUE SIEMPRE LA TRANSMISION EN ESTACIONAMIENTO O ENGANCHE EL FRENO DE ESTACIONAMIENTO.

 **WARNING: FOR YOUR PROTECTION KEEP ALL SHIELDS IN PLACE AND SECURED WHILE MACHINE IS OPERATING MOVING PARTS WITHIN CAN CAUSE SEVERE PERSONAL INJURY.**

 WARNING	 ADVERTENCIA
<p>FOR YOUR PROTECTION KEEP ALL SHIELDS IN PLACE AND SECURED WHILE MACHINE IS OPERATING. MOVING PARTS WITHIN CAN CAUSE SEVERE PERSONAL INJURY.</p>	<p>PARA ASEGURAR SU PROTECCION, MANTENGA TODOS LOS PROTECTORES EN SU LUGAR Y ASEGURADOS MIENTRAS LA MAQUINA ESTE OPERANDO. LAS PIEZAS MOVILES INTERNAS PUEDEN CAUSAR LESIONES PERSONALES GRAVES.</p>



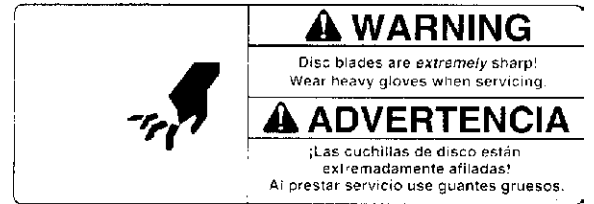
WARNING: CHEMICALS MAY CAUSE EYE, SKIN AND BREATHING PROBLEMS.
WEAR FACE MASK, GLOVES AND GOGGLES .
READ AND FOLLOW SAFETY INSTRUCTIONS ON THE CHEMICAL SUPPLIERS LABEL.



WARNING: NO RIDERS.
SERIOUS PERSONAL INJURY COULD RESULT FROM RIDING ON STEP.

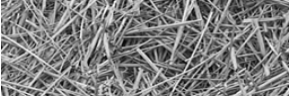


WARNING: DISC BLADES ARE *EXTREMELY* SHARP!
WEAR HEAVY GLOVES WHEN SERVICING.



CAUTION: KEEP WHEEL BOLTS TIGHT.





- Replacement decals can be purchased from your Haybuster dealer.

1.4 Shielding

Shields are installed for your protection. Keep them in place, and replace damaged shields.

1.5 Personal equipment

Operators of this machine are encouraged to wear head, eye, and ear protection. Loose clothing is discouraged.

1.6 Safety review

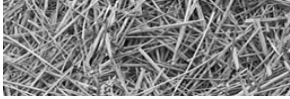
BEFORE OPERATING

- Read and follow all instructions contained in:
 - A. This 77/107 DRILL Operator's Manual.
 - B. Tractor operator's manual.
 - C. Decals placed on the 77/107 Drill and Tractor.



NOTE: Additional copies of the above mentioned materials can be obtained from your dealer.

- Be sure all safety shields and covers are securely in place when machine is running.
- Read all warning and instructional decals placed on the machine for your safety and convenience.
- Allow only responsible, properly instructed individuals to operate machine. Carefully supervise inexperienced operators.
- Make no modifications to this equipment unless specifically requested or recommended by DuraTech Industries.
- Tighten or replace any loose or cracked bolts, chains, hoses or connections.
- The towing vehicle must be of equal or greater weight than the grain drill for adequate braking capacity.



DURING OPERATION

- Exercise extreme caution with operating the drill on steep slopes or grades.
- Be sure all spectators are clear of the area where the drill is in operation or raised and lowered.
- Be sure the tractor operator is the only person riding the tractor. Allow no one to ride the drill at any time.
- Remember, loose clothing, necklaces and similar items are more easily caught in moving parts. Avoid the use of these items if possible and keep long hair confined.
- Never work under the drill when the drill is lifted up unless the safety stop bar is in position.
- Watch out for and avoid any object that might interfere with the proper operation of the machine.

DURING SERVICE & MAINTENANCE



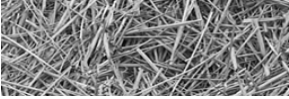
CAUTION: Before performing any maintenance or adjustments make sure machine is NOT running.

- Before working on or near drill for any reason including servicing, lubricating, cleaning, inspecting or refilling, or if working under drill or detaching from tractor, install safety stop bar (next to hydraulic cylinder).
- When replacing any part on your drill, be sure to use only DuraTech Industries authorized parts.
- Relieve all pressure in the hydraulic system before disconnecting the lines or performing other work on the system. Make sure all connections are tight and the hoses and lines are in good condition before applying pressure to the system.



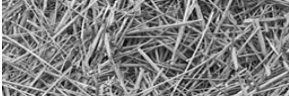
CAUTION: Hydraulic fluid escaping under pressure can be invisible and have enough force to penetrate the skin. When searching for a suspected leak, use a piece of wood or cardboard rather than your hands. If injured, seek medical attention immediately to prevent serious infection or reaction.

- Be careful when using a hoist or other lifting device. Use only devices that have adequate lifting capacity and be sure the chain or cable is securely attached.



WHEN TRANSPORTING ON PUBLIC ROADS

- Use good judgment and drive carefully, especially over rough or uneven roads.
- Be sure tractor brakes are properly adjusted and foot pedals locked together.
- Check your state laws regarding the use of lights, slow moving vehicle sign, safety chain and other possible requirements.
- Do not tow drills at speeds over 20 mph. It is recommended that drills be empty of seed or fertilizer when transporting.



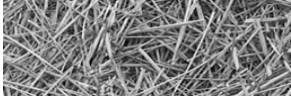
IMPORTANT WINCH SAFETY INFORMATION

- The winch is built for multipurpose hauling and lifting operations. It is not to be used as a hoist for lifting, supporting or transporting people, or for loads over areas where people could be present.
- Respect the winch. High forces are created when using a winch, creating potential safety hazards. It should be operated and maintained in accordance with instructions. Never allow children or anyone who is not familiar with the operation of the winch to use it. A winch accident could result in personal injury.
- Check winch for proper operation on each use. Do not use if damaged. Seek immediate repairs.
- Never exceed rated capacity. Excess load may cause premature failure and could result in serious personal injury.
- Never apply load on winch with cable fully extended. Keep at least three full turns of cable on the reel.
- Secure load properly. When winching operation is complete, do not depend on winch to support load.
- Operate with hand power only. This winch should not be operated with a motor of any kind. If the winch cannot be cranked easily with one hand, it is probably overloaded.



FAILURE TO COMPLY WITH ANY OF THE ABOVE SAFETY INSTRUCTIONS OR THOSE THAT FOLLOW WITHIN THIS MANUAL MAY RESULT IN SEVERE INJURY OR DEATH.

THIS DRILL IS NOT TO BE USED FOR ANY PURPOSE OTHER THAN THAT FOR WHICH IT IS INTENDED AS EXPLAINED IN THE OPERATOR'S MANUAL, ADVERTISING MATERIALS AND OTHER PERTINENT WRITTEN MATERIAL. PREPARED BY DURATECH INDUSTRIES.



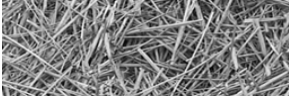
Section 2: Dealer Preparation

2.1 Gauge Wheel Attachment

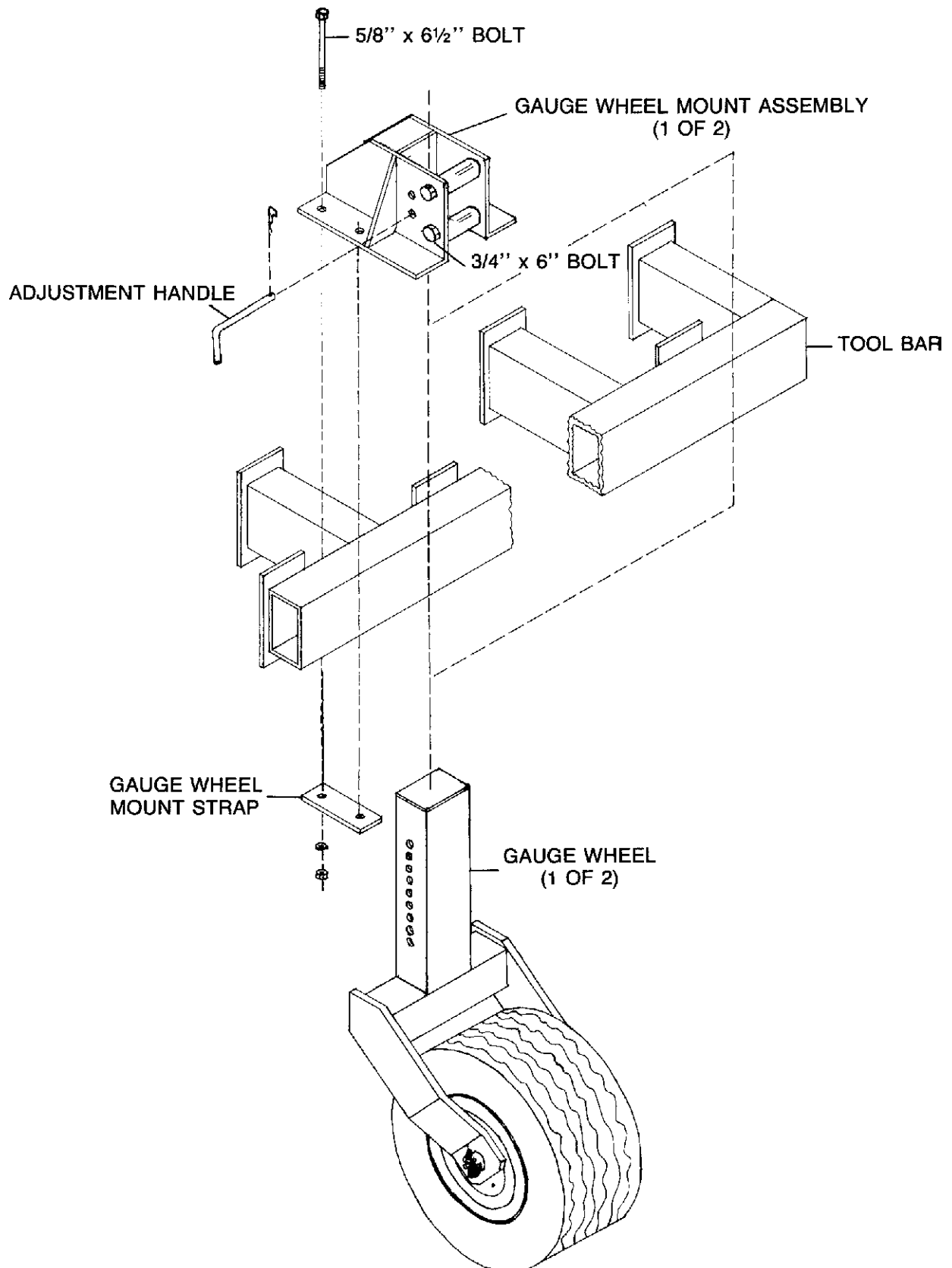
The heavy duty gauge wheels mount on the tool bar in front of the drill. The gauge wheels are adjustable to maintain a uniform planting depth when on side hills.

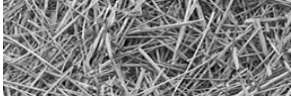
INSTALLATION

- Step 1:** Place the gauge wheel mount assembly in front of the second run assembly from either tool bar end. See the accompanying illustration.
- Step 2:** Mount the gauge wheel mount assembly to the tool bar by using two gauge wheel mount straps and four 5/8" x 6-1/2" hex bolts, lock washer and nuts provided. See accompanying illustration.
- Step 3:** Repeat Step 1 and Step 2 for the gauge wheel on the other side of the tool bar.
- Step 4:** Lift the tool bar using the drill's hydraulics and insert both gauge wheels into the bottom of the gauge wheel mount assemblies. See the accompanying illustration.
- Step 5:** If conditions prevent Step 4 from being done, the gauge wheels can be inserted into the front of the gauge wheel mount assemblies. To do this, remove all four bolt sleeves (two per gauge wheel mount assembly) by unbolting the four 3/4" x 6" hex bolts, lock washers and nuts and push the gauge wheels into the mount assemblies. Bolt the bolt sleeves on to the gauge wheel mount assemblies again.
- Step 6:** Adjust the gauge wheels to the desired position by inserting the adjustment handle through the proper gauge wheel adjustment with the hair pin. This adjustment determines the gauge wheel



Gauge Wheel (Option) Installation





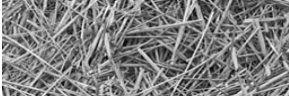
2.2 False Bottom Attachment (107 Only)

The false bottom attachment allows the use of both tanks, front and back, to be used in combination for seed. This will enable the seed tanks to last longer before refilling during seeding operation.

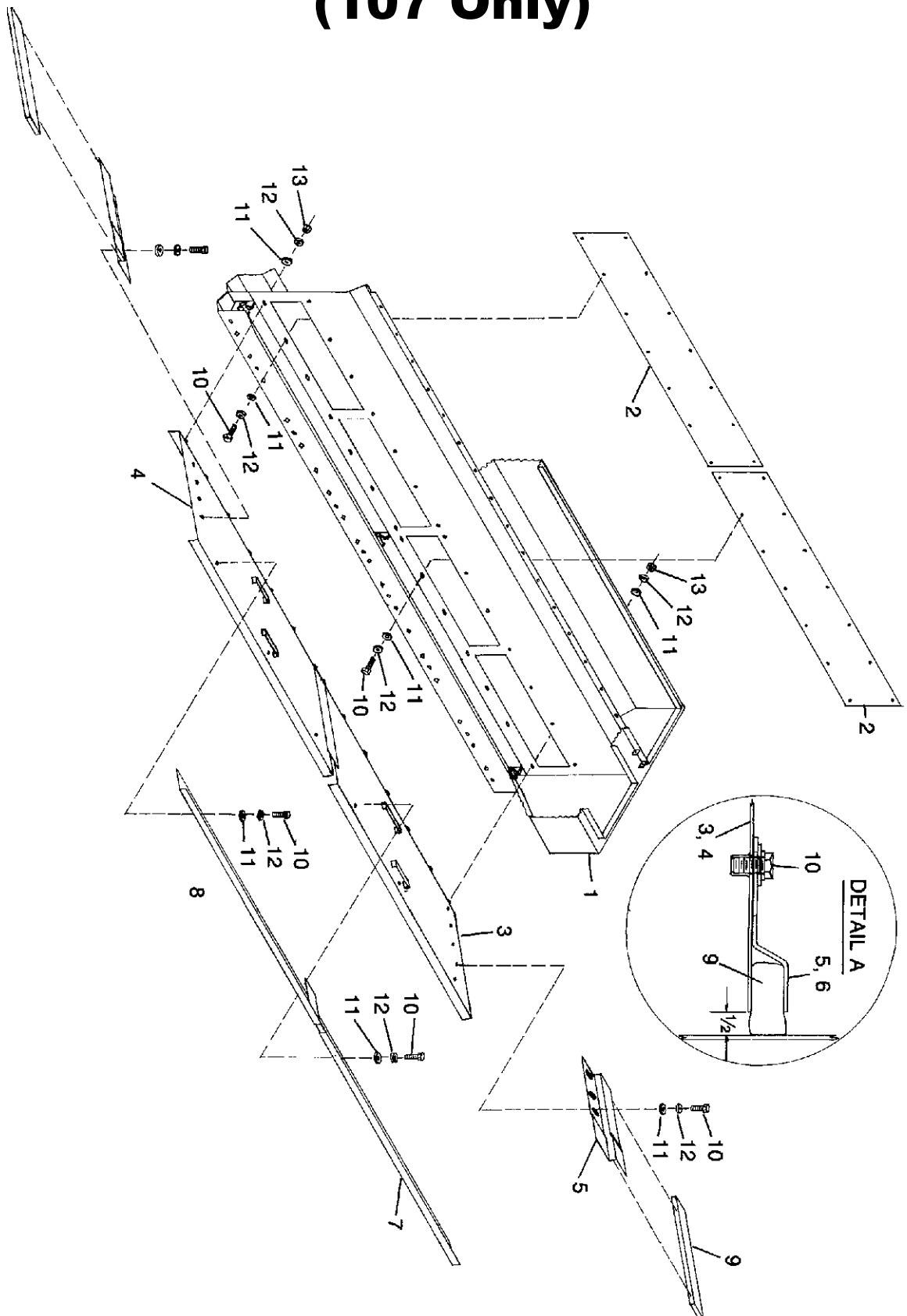
INSTALLATION

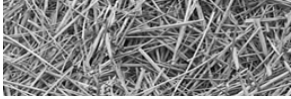
- Step 1:** Remove the divider cover (Item #2) from the grain tank by unbolting and setting the cover aside.
- Step 2:** Insert the false bottoms right hand (RH) sheet (Item #3) by holding its handles and pushing the studs into the existing slots found just below the 6" x 24" openings in the center divider as shown in the accompanying illustration.
- Step 3:** Insert the false bottom LH sheet (Item #4) in the same manner as described in Step 2.
- Step 4:** Place the side seal retainer RH (Item #5) on the false bottom RH with the rubber seal (Item #9) fitting in the crimp space provided between the two parts (See Detail A).
- Step 5:** Place the side seal retainer LH (Item #6) on the false bottom LH with the rubber seal (Item #9) as in Step 4.
- Step 6:** Place the upper seals (Items #7 and #8) on their respective false bottoms as shown in the accompanying illustration.
- Step 7:** Position the false bottoms by moving them to the left or right so that 1/2" exists between the false bottoms and the seed tank wall (See Detail A).
- Step 8:** Place all flat washer, lock washers and nuts (Items #11, #12 and #13) in their respective locations as shown in the accompanying illustration.
- Step 9:** Tighten only the false bottom nuts to secure the false bottoms to the center divider.
- Step 10:** Slide the upper seals and the side seal retainers firmly against their respective walls and tighten all the nuts.

The preceding steps are to be followed in the opposite fashion starting with the last step and proceeding to Step 1 to bring the drill to its original manner.



False Bottom (Option) Installation (107 Only)



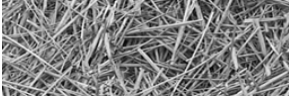


2.3 Drill Legume Box Attachment

The legume box attachment features fluted-feed cups which are capable of accurately metering small seeds even at very low rates. The hopper will hold up to 150 lbs. of seed.

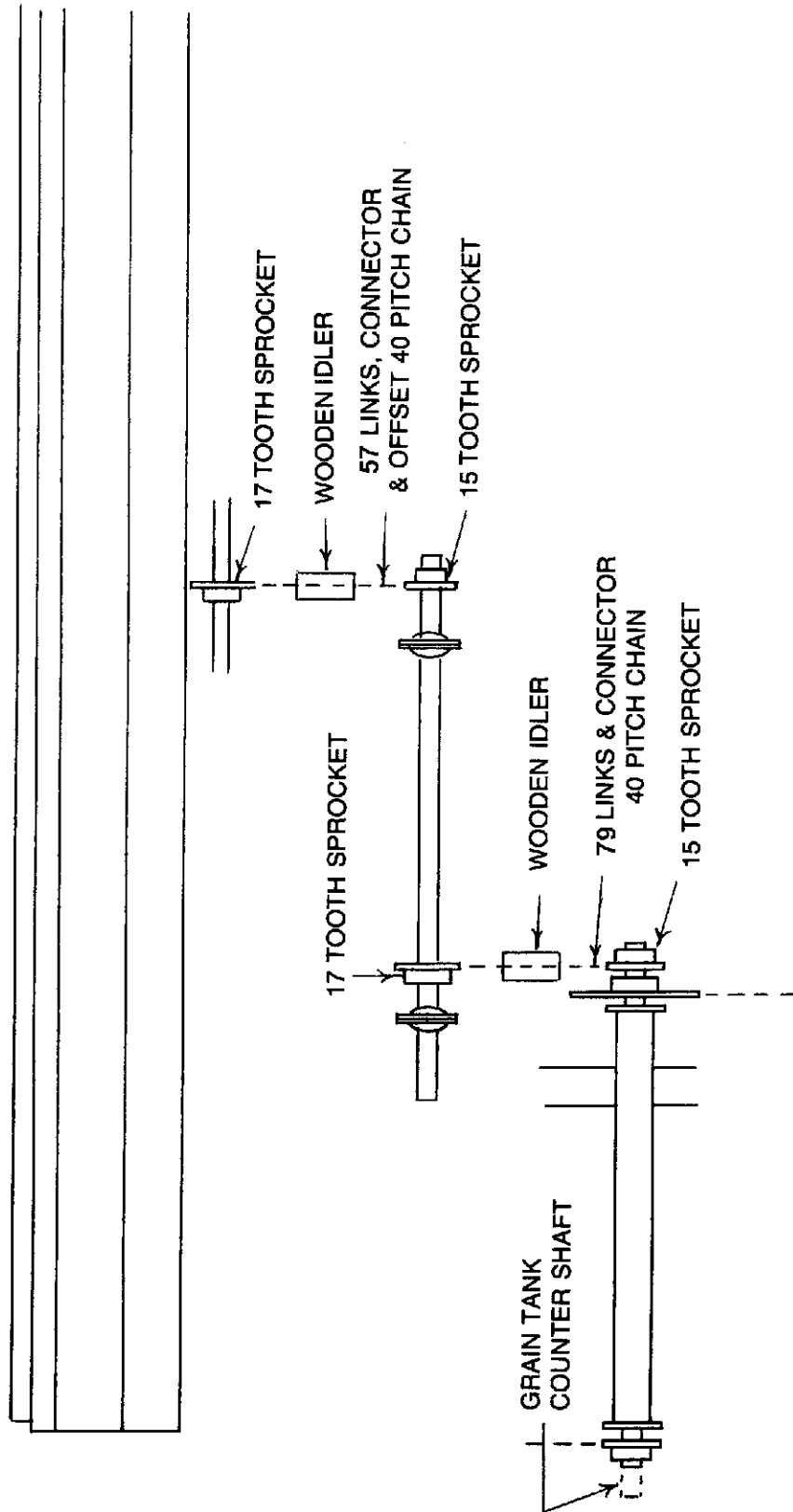
INSTALLATION

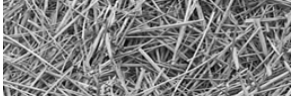
- Step 1:** Drill four 7/16" diameter holes in the front (grain) box as shown in Figure 1. Measure these holes carefully and use a good center punch to mark locations before drilling. Loosely bolt the mounting bracket to the grain box observing left hand and right hand parts.
- Step 2:** Remove the convoluted grain hoses and unbolt the cup assemblies from the grain tank. Replace with modified cup assemblies provided with the legume box kit. Reattach the convoluted grain hoses to the cups.
- Step 3:** Loosen chains, sprockets and bearings and move countershaft on grain tank. Reinstall existing bearings, sprockets and chains and install 15 tooth sprocket as shown in Figure 2.
- Step 4:** Bolt legume box to grain tank using the four 3/8" x 1" bolts provided. The mounts welded to the rear of the legume box should go between the mounting brackets installed in Step 1. Tighten all mounting bolts securely.
- Step 5:** Bolt the two bearing standards to the brackets on the legume box using six 5/16 x 3/4" carriage bolts, flat washers, lock washers and nuts. Align the bearing standards before tightening bolts. Loosely bolt the bearings to the outside of the bearing standards using the four 5/16" x 3/4" carriage bolts. Install the 29" shaft with the 17 tooth sprocket BETWEEN the bearings as shown in Figure 2. Install two wooden block chain tightener using 3/8" x 2-1/2" bolts, two flat washers, lock washer and nuts. Tighten the drive chains.
- Step 6:** Cut 5/8" I.D. clear plastic hose to 22" lengths. Eighteen are required. Install hoses on the grain cups first and then on legume box cups. Dipping the ends in a liquid soap solution (one part soap to one part water) will ease installation of the hoses.



Legume Box (Option) Installation

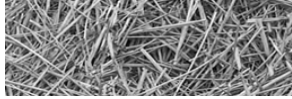
FIGURE 2





2.4 Legume Hopper Shipping Kit (Optional)

ITEM	PART NO.	QTY.	DESCRIPTION
1	8700001	1	BRKT\LEGUME\LH\LEG-BOX
2	8700002	1	BRKT\LEGUME\RH\LEG-BOX
3	8700003	4	STRAP\LEGUMEBOX
4	8700008	1	BRG\BOX\LEGUME\RH
5	8700009	1	BRG\BOX\LEGUME\LH
6	2000002	2	BRG\1" W\LOCK\COLLAR
7	2000703	4	FLGETT\1\2BOLT\PLTD
8	2000016	2	BLK\WD\IDLER
9	8700011	1	SHFT\1X29\LEGUMEBOX
10	1000111	1	SPKT\B\40\17\1\1\4KW\SOFT
11	1000112	2	SPKT\B\40\15\1\1\4KW
12	6200010	3	KEY\SQ\1\4X1
13	1100232	1	CHAIN\40NP\53
14	1100246	1	CHAIN\40NP\79
15	1100224	2	CHAIN\40NP\CL
16	1100225	2	CHAIN\40NP\OL
17	3700129	18	HOSE\PVC\5\8IDX22-1\2\CLR
18	4800098	4	BOLT\HEX\3\8X1-1\4\NC
19	4800156	4	BOLT\HEX\3\8X3
20	4800029	2	BOLT\HEX\3\8X2-1\2
21	4800003	4	BOLT\HEX\3\8X1
22	4900002	14	NUT\HEX\3\8\NC
23	5000019	14	WASH\LOCK\3\8
24	5000001	4	WASH\FLAT\3\8
25	4800153	10	BOLT\CRG\5\16X3\4\NC
26	4900003	10	NUT\HEX\5\16\NC
27	5000022	10	WASH\LOCK\5\16



Section 3: Introduction

Every effort has been made to ensure that the information contained in this manual is correct at the date of publication; but, due to continuous improvements, DuraTech Industries reserves the right to make changes in the contents without notice or obligation.

This manual is shipped with each machine to familiarize the operator with the proper operating, maintenance and lubrication instructions to insure the best possible performance and service from the machine. Study and understand these instructions thoroughly before operating the machine. We recommend that this manual be readily available for reference at all times. Consult your DuraTech Industries dealer if any items in this manual are not understood.

DuraTech reserves the right to make changes in engineering, design and specifications, add improvements, or discontinue manufacture at any time without notice or obligation.

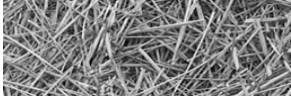
3.1 Ordering Parts

When ordering parts always specify your model number, serial number, and the number of the parts you wish to order.



IMPORTANT: WHEN REPLACEMENT PARTS ARE NEEDED, USE THE LISTED PART NUMBERS AND DESCRIPTIONS TO INSURE FAST AND ACCURATE SHIPMENT OF YOUR ORDER. WHEN ORDERING PARTS ALWAYS SPECIFY UNIT SERIAL NUMBER.

ONLY AUTHORIZED PARTS SHOULD BE USED FOR REPAIR AND/OR REPLACEMENT.



3.2 Serial Number Decal

The serial number and the machine model number are stamped on the decal. The model number and serial number are important when service and/or parts are required.

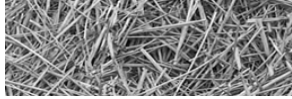


3.3 About your 77/107 Grain Drill

The 77/107 Grain Drill is designed to seed No-Till, Minimum Till, or conventionally tilled fields. Two 30 gallon tanks are available for added ballast to penetrate the tough no-till conditions.

The two compartment hopper offers the flexibility of seeding with fertilizer, seeding alone, or planting two different seeds. The metering system for each hopper is infinitely adjustable.

Field hitches are available for one or multiples of two, three, and four of the model 107 Drill only. A tow hitch is also available for the 107 Drill to allow the towing of two or more drills in transport.



Section 4: Operating Instructions

To insure long life and economical operation, we highly recommend the operator of the 77/107 Grain Drill be thoroughly instructed in the maintenance and operation of the machine. There is no substitute for a sound, preventative maintenance program and a well-trained operator.

Prior to operating the Grain Drill, we recommend the operator make a visual inspection of the unit. This can be done as the lubrication is being carried out.

4.1 Operating Instructions

Check the following:

- Hydraulic components for leaks or damage.

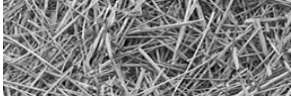


WARNING: Hydraulic fluid escaping under pressure can be almost invisible and can have sufficient force to penetrate the skin. When searching for suspected leaks, use a piece of wood or cardboard rather than your hands. If injured, seek medical attention immediately to prevent serious infection or reaction.

- Lug nuts for tightness.
- Condition of tire rims.
- Tires for proper air pressure.
- Condition of rubber convoluted hoses.
- Adjustment of all chains.
- Installation and condition of shields.
- Installation of Slow Moving Vehicle (SMV) sign, if required.
- Condition of decals.



WARNING: Before attempting to operate this machine, refer again to pages 14-17 for important safety information.



4.2 Grain Drill Setup

The 77/107 Grain Drill may be shipped without the hydraulic lift cylinder, since the grain drill used a standard 3" x 8" cylinder. The retracted length must be 20-1/4", measured from the center of the mounting holes. When multiple grain drills are used, a cylinder will be required for each grain drill.

- Set the wheels on your tractor out as wide as possible for maximum stability.
- Hitch the grain drill to the tractor.
- Connect the hydraulic hoses to the tractor's hydraulic system.

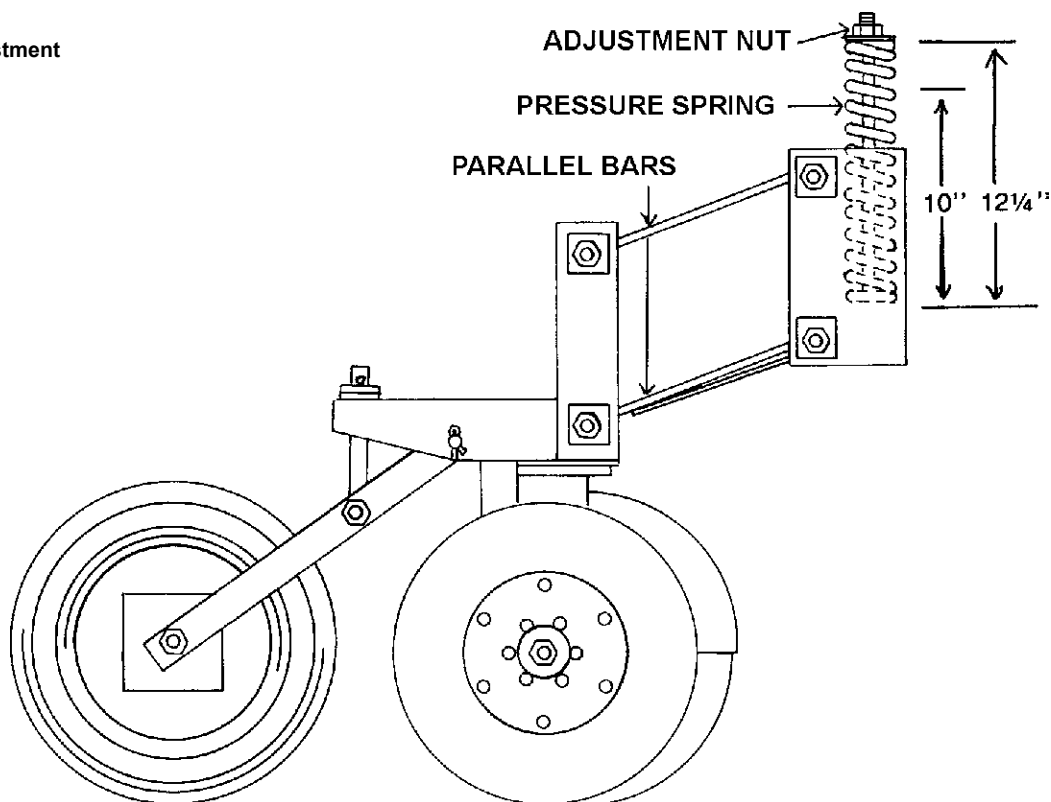
4.3 Pressure Spring Adjustment

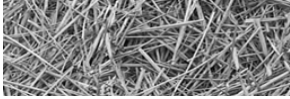
To gain versatility for all types of terrain and soil conditions, it is important to have a considerable amount of up and down travel built into each individual run. When seeding on level terrain, adjust hydraulic cylinder stroke to lower Movable Frame so openers penetrate soil approximately two (2) inches and Parallel Bars are about level when viewed from the side. The toolbar height will be about 20" when discs are new. This will allow runs to move up or down according to terrain.

If parallel bars are not level, it will be necessary to adjust pressure spring, or press wheel adjustment.

Proper tension of the pressure spring varies with conditions. No-till seeding may require more down pressure; loose soil requires less. Since the pressure springs work together with the opener depth adjustment controlled by the hydraulic cylinder, make sure that the opener depth adjustment is set correctly.

pressure spring adjustment





In extremely loose soils such as freshly worked summer fallow, it will be necessary to lessen tension on pressure spring instead of lessening hydraulic cylinder stroke.

To adjust the pressure springs:

1. Make sure the movable frame is raised completely up and the safety stop bar is secured.
2. Using the adjustment nut on each pressure spring, adjust the spring to the desired length. See table at right showing the opener pressure obtained at various spring lengths. Under no circumstances should the spring be adjusted to less than 10 inches. This may damage the spring and related parts and will also void the warranty on these parts.

SPRING LENGTH	OPENER PRESSURE
12¼ IN.	135 LBS.
11½ IN.	180 LBS.
11 IN.	205 LBS.
10½ IN.	235 LBS.
10 IN.	300 LBS.

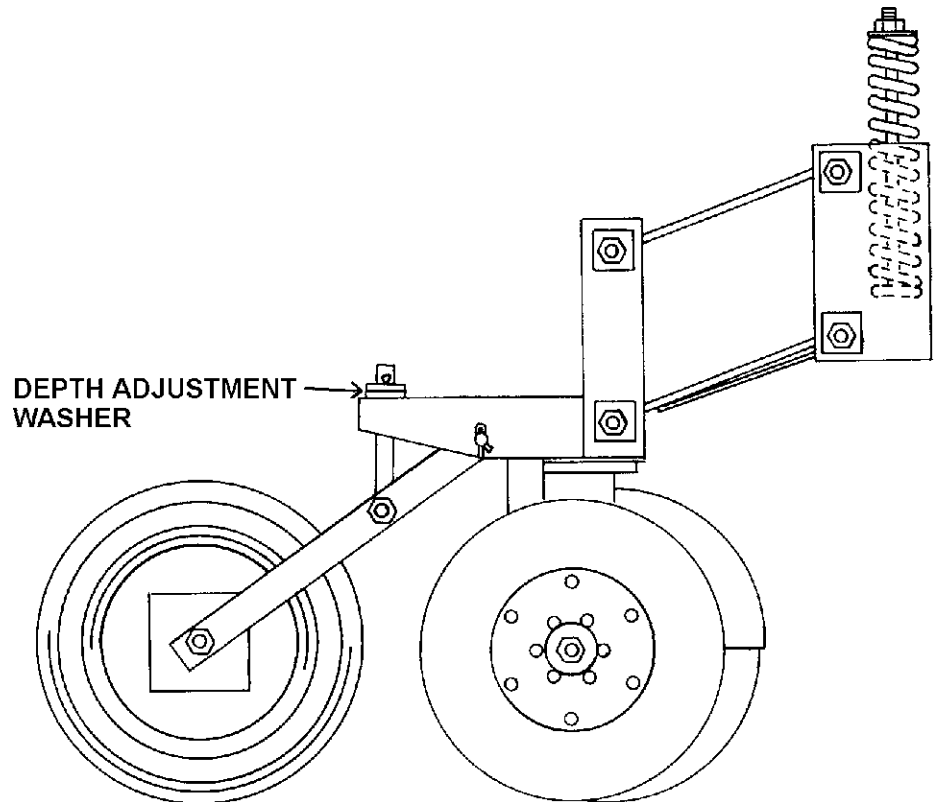
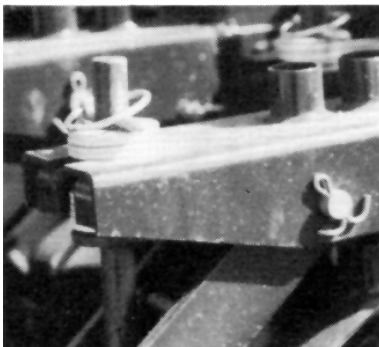
4.4 Press Wheel Adjustment

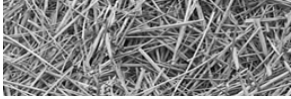
In addition to firming the soil around the seed, the press wheels serve as gauge wheels for the openers. The relationship of each press wheel and opener will remain consistent regardless of terrain or soil density. If the seed is too deep, lower the press wheel. If the seed is too shallow, raise the press wheel.

To adjust the press wheel height:

1. Remove quick attachment pin.
2. To lower the press wheel, relocate shim washers from top to bottom. To raise the press wheel, relocate shim washers from bottom to top.
3. Install quick attachment.

depth adjustment washer for serial numbers 401 and up

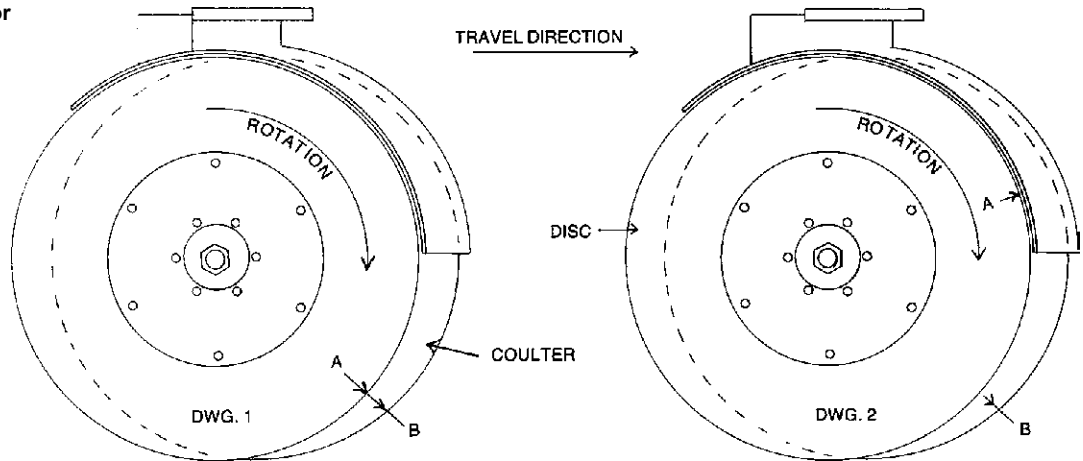




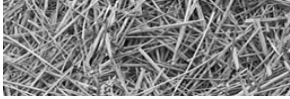
4.5 Haybuster 77/107 Drill Opener

The 77/107 Drill uses a coultter-disk offset opener. The coultter blade leads the disk by 1-1/2". Both blades are the same size and due to the offset, there is some sliding action where the blades contact. This sliding or scissor action provides excellent residue cutting action at ground level, especially in wet residue. The scissor action causes some wear into the coultter blade at the point of contact. This wear is normal and the heavier coultter blade is bolted to the bearing cage to allow easy replacement.

depth adjustment washer for
serial numbers 401 and up



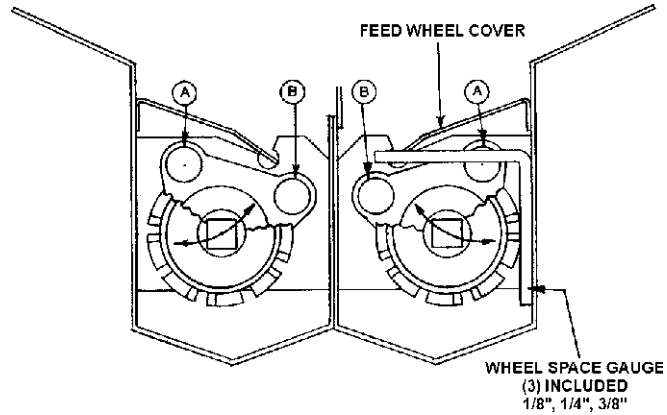
One complete turn changes points A and B (DWG. 1) the amount shown in DWG. 2. It takes 6 turns to bring points A and B back together.



4.6 Feed Wheel Space Adjustment

Large seeds require more space between feed wheel lugs and tank wall than small seeds to prevent cracking. Small seeds require less space to provide an even flow. Therefore each seed listed in the feed rate chart, pages 30 to 33, shows a required wheel space.

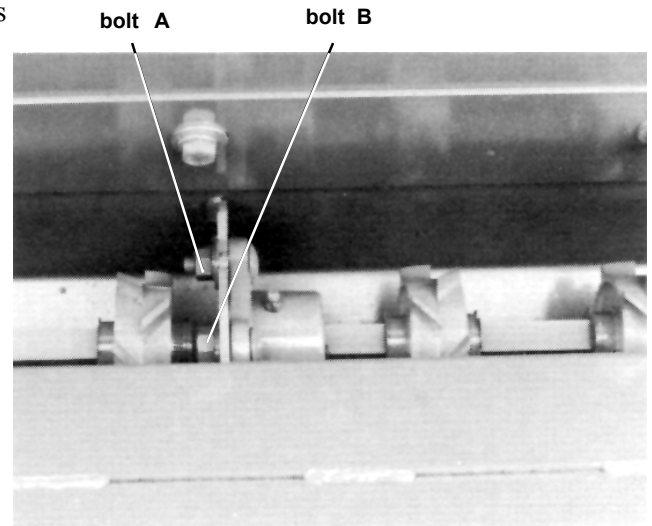
feed wheel space adjustment.



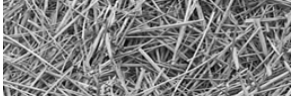
FEED WHEEL SPACE ADJUSTMENT

1. Remove the feed wheel covers.
2. Loosen the eight bolts A and B. There are four sets of bolts for each feed wheel - two on the outer end of the hopper and six inside the hopper.
3. Select the proper space gauge using the wheel space chart.
4. Install the proper space gauge as shown.
5. Slide the feed wheel toward the gauge until the feed wheel lugs, gauge and hopper are pressed together. Tighten the eight bolts.
6. Recheck the feed wheel space adjustment.
7. Install the feed wheel covers.

The feed wheel space adjustment provides the proper clearance for the type of seed or fertilizer being used.



one set of feed wheel space adjustment bolts



4.7 100 Drill Cleanout Slides

Cleanout slides are provided on both grain and fertilizer tanks. Handles for opening and closing the slides are located on the left side of the drill.

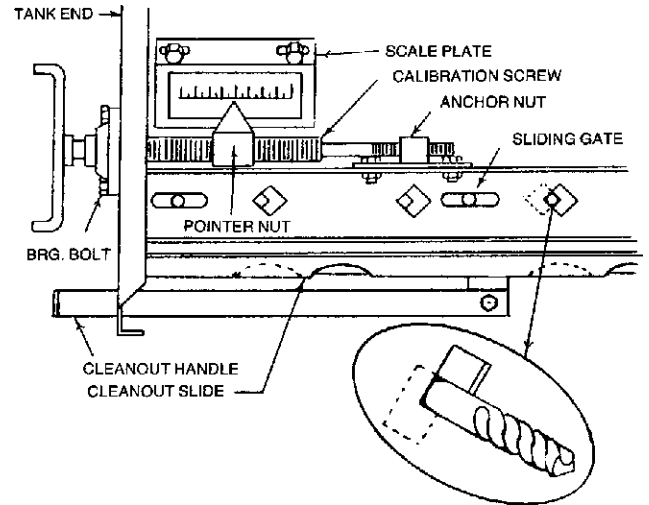
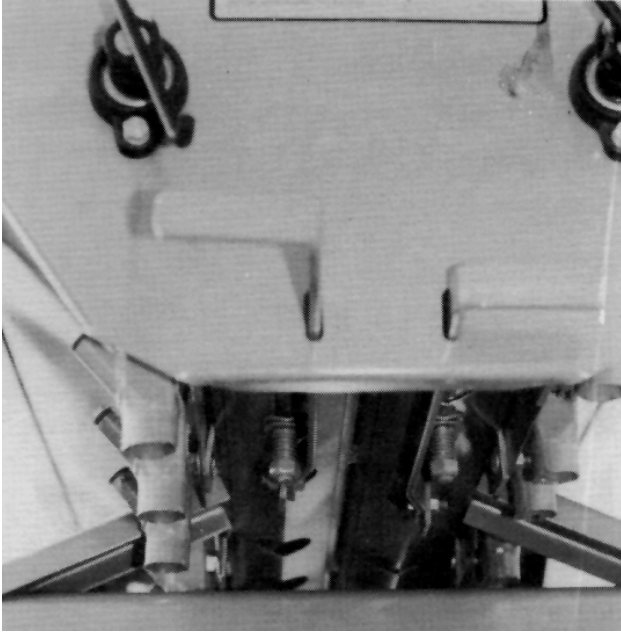
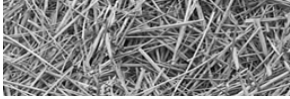


figure 4.1
drill cleanout slides.

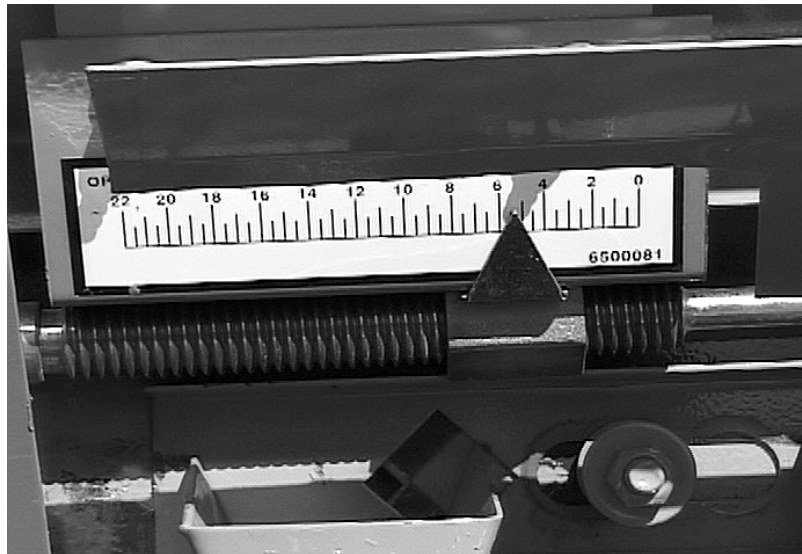


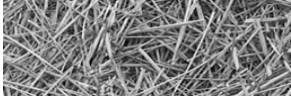
4.8 Calibration Pointer Adjustment

Grain and fertilizer sliding gates are preadjusted at the factory. In the event any part of the calibrating mechanism is removed or replaced, it can be recalibrated in this order:

1. Place both pointer nut and anchor nut in the center of their respective thread.
2. Insert a short length of 7/16" rod or the shank end of a 7/16" drill bit into the square hole in sliding gate as shown.(figure 4.1)
3. Tighten bearing bolts securing calibration screw to end of tank.
4. Tighten bolts securing anchor nut to sliding gate.
5. Place scale plate on tank so number 8 is directly in line with top of pointer. This will insure pointer setting to coincide with chart. Scale plate must be parallel with calibration screw to allow pointer to operate smoothly along plate.

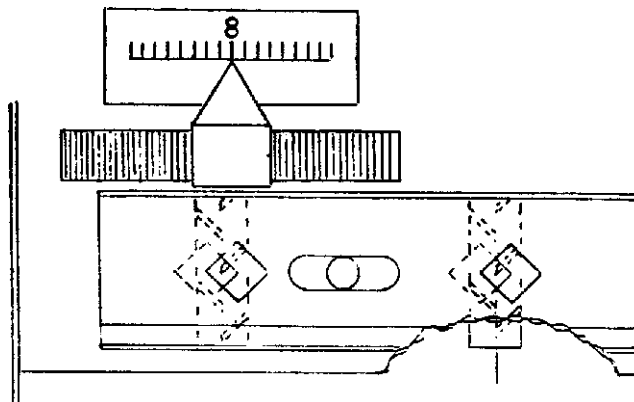
calibration pointer
adjustment





4.9 SETTING AND CHECKING FEED RATE

general setting for feed
wheel alignment



For most seeding, the feed wheel should be aligned as shown above. Set the pointer on number 8. The center of the feed wheel should be centered in the opening as viewed from outside of the box.

The rates shown on the charts serve only as a starting point. Due to variations in material size and density the rates may vary from the chart. The following methods may be used to determine the proper setting for your particular seed or fertilizer.

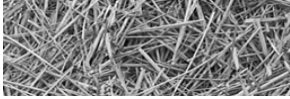
Setting and checking feed rate using wheat as an example.

1. You want to seed wheat at a rate of 95 lbs. per acre on 7" spacing.
2. Seed rate charts call for a wheel space of 1/8" (page 30). Pointer set on 8 (see illustration above). The adjustment should be made before filling grain tank.
3. Make sure feed wheel cover is in place. Put grain in tank.
4. Seed far enough so you can visually check grain flowing into seed cups.

The addition of the single agitator to the standard drill box will prevent these seeds from bridging above the feed wheels. The single agitator may be added to all 77/107 drills.

Alti wildrye
Bromegrass #
Intermediate wheatgrass
Killdeer sideoats #
Pubescent wheatgrass
Streambank wheatgrass
Tall wheatgrass
Western wheatgrass

Extremely trashy samples may require the double agitator.



4.10 CHECKING FEED RATE

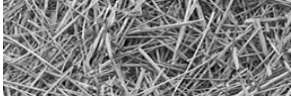
1. Measure a distance of 415' on a drill with 7" spacing and mark. Remove one hose from seed hopper on each drill. Attach a container (cloth or plastic bag) to hopper to collect seed.
2. Operate drill at intended planting speed through entire length of test track.
3. Weigh the sample in ounces (less weight of sample container). Use the following formula to determine lbs./acre for your particular shank spacing.

$$7'' \text{ Spacing} - \text{oz.} \times 11.25 = \text{lbs./acre}$$

EXAMPLE

Sample and container weighs	9.9 ounces
Container weighs	- 1.5 ounces
Weight of sample only	8.4 ounces

4. Use formula No. 1 to figure pounds per acre. $8.4 \text{ ounces} \times 11.25 = 94.5 \text{ pounds per acre.}$
5. To calibrate a seed not shown on the chart or a mix of different seeds, compare to a similar charted seed to obtain a trial setting. Recalibrate as necessary.
6. The same method may be used to determine fertilizer rates.



Series 100
Spacing 7”
Model No. 77/107

CHART FOR DRILLING GRAIN IN POUNDS PER ACRE

POINTER SETTING

	3	4	5	6	7	8	9	10	11	12	13	14	15	16														
WHEEL SPACE																												
WHEAT	1/8	13	21	29	39	50	63	78	95	111	126	150	173	199	218	250	284											
BARLEY	1/8					22	29	36	46	55	63	74	90	104	117	133	153	176	198									
OATS	1/8						8	11	15	20	25	32	38	48	59	70	82	96	120	133	144	150	163	171	172			
RYE	1/8			15	22	30	40	50	63	78	92	106	124	143	164	185	208	235										
SOYBEANS	3/8					17	20	26	35	46	58	68	82	96	115	129	145	171	186	215	243	275	306	334	357	364		
BUCKWHEAT	1/8			16	22	29	38	49	62	74	87	102	120	138														
SORGHUM OR VETCH	1/8	4	5	9	13	21	27	35	44	56	67	78	93															
ALFALFA OR RAPE	1/8	3	8	13	19	27	35	48	59																			
MILLET	1/8	5	8	15	22	30	40	53	66																			
FLAX OR SUDAN GRASS	1/8		5	7	10	17	24	30	38	49	62	73																
ORCHARD GRASS	1/8					1	2	3	4	5	7	9	11	14	17	20	23	26										
FESCUE	1/8					5	6	8	12	14	19	23																
SWITCH GRASS	1/8	3	7	12	19	24																						
SUNFLOWER (#3 6500/LB.)	1/8					3	5	6	8	10	14	18	21	26	31	37												
FERTILIZER	1/8	3	6	11	17	24	35	49	62	77	93	116	138	160	185	212	240	275	306	324	353	370	384	393	406	414	420	425
18-46-0																												

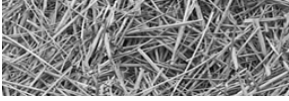
100 DRILL DETERMINING SEED POPULATION

The 107 Drill seeds 10.50' / 126" per pass; the 77 Drill seeds 7' / 84" per pass.
The 107 Drill travels 4149 feet to seed 1 acre; the 77 Drill travels 6223' to seed 1 acre.

Following is the lineal feet of seeded row to seed 1 acre.

7" rows - 74,700 ft/acre

EXAMPLE:
150,000 beans on 7" row spacing
150,000 divided by 74,700 = 2.0 beans per ft.
10 ft. of row - 20 beans.



Spacing 7 Inch

CHART FOR DRILLING GRAIN IN POUNDS PER ACRE

POINTER SETTING

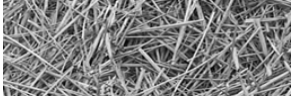
WHEEL SPACE	3	4	5	6	7	8	9	10	11	12	13	14	15	16									
BAHIA GRASS 1/8	2.5	5.5	10.3	16.1	24.6	34.2	44.5	53.7	63.9	77.7	89.9	102.0	115.0	131.0	145.0								
BUFFALO GRASS* 1/8				2.5	3.8	5.3	6.7	8.6	10.9	13.9	16.0	18.8	21.7	26.1	34.0								
FESCUE 1/8				4.5	6.3	8.1	11.7	14.4	18.9	22.9	27.4	32.0	36.4	42.2	56.5	75.9							
GREEN 1/8				3.6	4.8	6.8	9.3	12.1	14.7	17.7	20.7	24.5	28.5	31.3	34.7	40.0	43.7	50.3	54.8	60.9	69.3		
ORCHARD GRASS 1/8				1.3	2.0	2.7	4.1	5.4	7.2	9.0	11.3	13.5	16.7	19.8	22.7	25.6	30.1	34.6	40.2	45.8			
RYEGRASS 1/8				3.1	4.5	6.7	9.4	13.5	16.6	21.1	27.0	33.7	37.7	45.4	53.0	61.1							
*FEED COVER OFF																							

Spacing 7 Inch

CHART FOR DRILLING GRAIN IN POUNDS PER ACRE

POINTER SETTING

WHEEL SPACE	1	2	3	4	5	6	7	8	9	10	11							
ALFALFA 1/8	0.4	1.3	3.6	8.1	13.9	19.8	27.0	35.5	48.5	57.5	71.1	85.8						
KENTUCKY BLUEGRASS 1/8			0.7	1.6	2.9	4.4	6.3	8.8	12.1	16.1	20.4	25.1	30.8	37.5	44.1	50.0	57.3	65.2
LADINO CLOVER 1/8		1.0	3.4	8.1	15.5	25.0	35.2	46.4	59.8									
LESPEDEZA (KOREAN) 1/8			1.1	4.7	8.3	12.4	17.3	23.6	31.3	39.8	49.2							
RED CLOVER 1/8		1.3	4.3	9.5	16.4	24.3	32.8	43.4										
RED TOP 1/8			0.9	1.9	3.5	5.5	7.6	10.5	14.8	20.1	25.8	31.6	38.3	46.2	54.1	60.9	69.7	82.6
REED CANARYGRASS 1/8			0.9	2.3	3.8	5.5	7.9	10.9	14.0	17.2	20.6	24.8	29.4	33.9	39.1	44.7	50.6	
SERECIA (UNHULLED) 1/8			1.0	2.7	4.7	7.4	10.6	14.1	19.0	25.0	30.8	37.1	45.2	54.2				
SWEET CLOVER 1/8		2.7	7.2	14.4	23.4	33.5	44.5	58.9	77.3	97.5								
SWITCHGRASS 1/8		0.9	2.7	7.2	12.1	17.5	24.3	34.1										
TIMOTHY 1/8		0.9	3.6	8.5	15.3	22.9	30.6	39.5	53.0									
LOVEGRASS 1/8		1.0	3.4	8.3	15.5	23.4	33.5	44.5	57.5									



Spacing 7 Inch CHART FOR DRILLING GRAIN IN POUNDS PER ACRE

POINTER SETTING

	3	4	5	6	7	8	9	10	11	12	13	14	15	16
WHEEL SPACE														
ALTI WILDRYE	1/8				3.1	5.7	7.6	12.7	18.5	27.1	36.2	46.4	47.4	49.8
BROMEGRASS*	1/8						3.6	5.3	7.5	10.2	13.6	16.5	20.0	20.7
INTERMEDIATE WHEATGRASS	1/8				5.8	8.1	12.1	19.3	28.3	35.0	49.8	55.2		
KILLDEER SIDEOATS*	1/8				2.5	3.8	5.5	7.4	9.6	11.8	14.0	16.4	19.3	22.5
PUBESCENT WHEATGRASS	1/8				4.9	12.6	19.3	28.5	39.7	53.4	69.9	81.1	86.1	
STEAMBANK WHEATGRASS	1/8				2.9	4.5	7.1	10.3	13.4	20.0	27.2	33.4	35.1	
TALL WHEATGRASS	1/8				5.8	8.5	12.1	18.4	25.2	32.3	43.1	53.9		
WESTERN WHEATGRASS	1/8				2.7	4.4	7.3	10.8	15.3	19.9	25.0	30.4	35.5	39.8

*DOUBLE AGITATOR MAY BE REQUIRED FOR EXTREMELY TRASHY SAMPLES

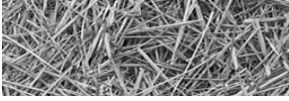


CHART FOR DRILLING LEGUMES AND SMALL GRASSES IN POUNDS PER ACRE

LEGUME BOX ATTACHMENT FOR 77/107 DRILL ON 7" SPACING

NOTCHES ON INDEX	LBS. BU.	1	2	3	4	5	6	7	8	9	10	11	12	13	14	15	16
ALFALFA; RED, ALSIKE, LADINO CLOVER; VETCH	62	2.2	4.7	7.7	10.7	13.6	17.0	20.4	23.9	27.3	30.9	31.7	37.9	41.3	44.7	47.6	50.6
SWEET CLOVER	64	2.3	5.1	8.4	12.4	17.4	22.5	26.4	30.9	37.1	41.6	46.7	51.2	56.3	59.6	63.0	66.4
BIRDSFOOT TREFOIL	64	2.3	4.5	7.9	10.7	14.1	17.4	21.4	25.3	28.1	32.1	36.0	39.4	42.2	46.7	50.1	55.1
MILLIT, TIBBET CLOVER	60	2.1	4.9	7.7	10.7	14.3	17.4	21.2	26.1	28.5	30.9	35.5	39.4	42.8	46.7	51.0	55.9
UNHULLED SERICEA	36	1.1	2.8	4.5	6.8	9.6	11.8	14.6	17.4	20.3	23.1	26.4	28.7	31.5	33.8	36.0	40.5
UNHULLED LESPEDEZA	46	1.7	3.9	5.6	8.4	11.8	15.2	18.0	21.9	25.3	28.7	32.6	35.4	38.3	41.6	45.0	50.1
BAHIA GRASS	46	1.1	2.8	5.1	6.2	8.4	10.7	11.8	14.6	16.9	18.6	20.8	22.5	24.2	25.9	27.6	28.1
LOVEGRASS	64	2.3	5.1	7.9	11.3	16.3	20.3	24.2	28.7	32.6	36.6	42.2	46.7	51.2	55.1	57.9	60.2

SEED MIXTURES

SELECT THE SETTING FOR THE DESIRED QUANTITY OF EACH SEED.

ADD INDIVIDUAL SETTINGS.

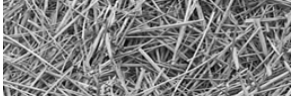
EXAMPLE:

ALFALFA	LBS./ACRE	NOTCH
SWEET CLOVER	5	2
TIMOTHY	5	2
TOTAL	2	1
		<hr style="width: 100%; border: 0.5px solid black;"/>
		5

WHEN USING HALF SPEED DRIVE DIVIDE CHARTED RATES BY TWO. REPLACE 17 TOOTH SPROCKET ON COUNTERSHAFT WITH 35 TOOTH. (SEE MANUAL FOR DETAILS.)

DENSITY OF THE SAMPLES USED TO PREPARE THIS CHART ARE GIVEN IN THE FIRST COLUMN TO THE RIGHT OF THE CROP NAME IN POUNDS PER BUSHEL.

NOTCHES ON INDEX	LBS. BU.	1	2	3	4	5	6	7	8	9	10	11	12	13	14	15	16
TIMOTHY	50	1.7	3.9	6.2	9.6	12.9	16.9	20.9	24.8	28.1	32.6	37.1	40.5	44.4	46.7	49.5	54.6
SWITCHGRASS	55	2.3	4.5	6.8	9.6	12.4	15.8	18.6	20.8	24.2	28.1	30.9	33.8	37.1	39.9	42.2	47.8
FLAX SESAME	55	1.4	3.7	6.2	8.7	11.6	14.7	17.5	20.6	23.1	26.5	29.6	32.4	35.5	37.9	40.5	44.5
RAPE MUSTARD	53	1.7	4.2	7.4	10.2	12.9	16.4	19.2	22.5	25.6	28.2	31.8	34.9	37.7	40.5	43.3	45.9
ORCHARD GRASS	17		0.8	1.7	2.8	3.4	3.9	5.1	5.6	6.8	7.3	8.4	9.0	10.1	10.7	11.3	11.9
PERENNIAL RYEGRASS	31		2.3	3.4	5.6	7.3	9.0	10.7	11.8	13.5	15.2	16.9	18.6	20.8	21.9	23.1	24.8
FESCUE	27		1.1	2.8	3.9	5.6	6.8	8.4	9.6	11.3	12.4	13.5	15.2	16.9	18.0	19.1	21.9
COMMON BERMUDA GRASS		2.7	5.0	7.4	10.6	14.3	17.6	20.8	25.1								



4.11 Drilling with the Grain Drill

If the grain drill was transported using the optional end hitch, the rear wheels will need to be rotated as follows:

1. Use the hydraulic system to lower the openers onto solid soil or use a jack to raise the drill frame and remove the weight from the rear wheels.
2. Remove the bolts from each wheel.

rotating the wheels for drilling (wheel shown in drilling position)

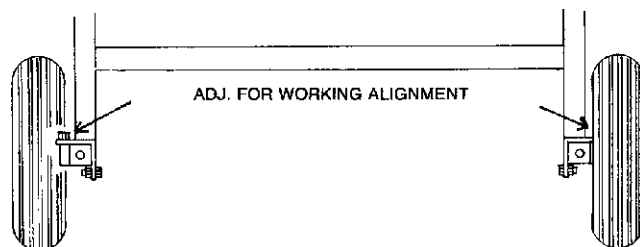


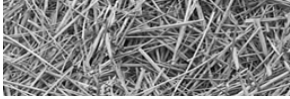
3. Rotate the wheels 90° and insert bolts.



NOTE: Step 4 covers alignment of the wheels. Once this adjustment is set, it should not normally be necessary to readjust it. Alignment of the wheels in the working position is less critical than in the transport position because of the softer surfaces and slower speeds.

4. Using a tape measure, align the wheels so that they are parallel with each other and the frame as shown below. Adjust and secure the stop bolt #2.





5. Tighten the bolts.
6. Remove the jack, if used.
7. After the tractor is hitched to the front hitch, move the drill ahead slowly until the front swivel wheels are properly positioned.

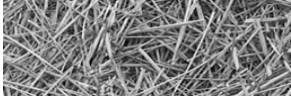
At this point the grain drill should be properly set up and adjusted according to the instructions in the preceding sections.

Load the tanks with seed and/or fertilizer. Rotate the drive wheel by hand to make sure that the feed wheel shafts are free to turn. This is particularly important if the drill was transported with fertilizer and seed in the hoppers.

Start the tractor, retract the cylinder completely, and begin drilling.

Periodically check for proper seed depth and feed rate.

When the seeding operation is finished, park the drill over a sheet of plastic, canvas, etc. Pull one of the cleanout side control levers out to empty the remaining seed or fertilizer. Collect the seed or fertilizer. Repeat the procedure for the other hopper.



4.12 SUGGESTIONS

When preparing to sow damp fertilizer that has been sitting in the tank for several hours, stir the fertilizer all the way to the bottom to break up any blocks of fertilizer which have become cemented together.

The amount of fertilizer sown will vary with the moisture content and quality of the fertilizer.

4.13 REAR WHEEL SWIVEL AND ADJUSTMENT

Both rear wheels are designed to swivel 90° for the purpose of transporting drills endways. Adjusting bolts are provided for aligning wheels in transport position as well as in forward position. Transport position is most critical for tire wear due to hard surface roads and faster speeds.



CAUTION: Transporting drills with seed and fertilizer in the tanks is not recommended. If drills are moved any distance with seed or fertilizer in tanks, either in transport or field position, materials will settle around feed wheels. Before starting to seed, operator should check with a wrench on drive end of feed wheel shaft to make sure they are free to turn. Shaft may be turned either clockwise or counterclockwise with openers in raised position.



WARNING: Maximum transport speed should never exceed 20 M.P.H., and should be less where conditions demand.

4.14 TRANSPORTING THE GRAIN DRILL

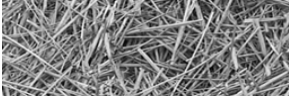
The rear wheels swivel 90° to transport the drill end ways with the optional end hitch. These wheels must be carefully aligned before transporting the drill because of the hard surfaces.

To rotate the rear wheels:

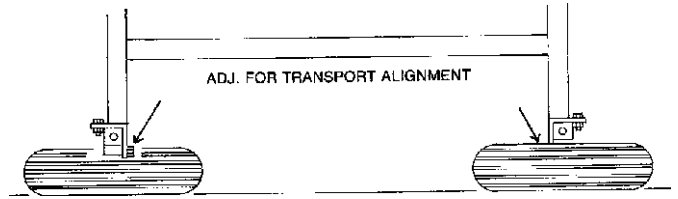
1. Use the hydraulic system to lower the openers onto solid soil or use a jack to raise the drill frame and remove the weight from the rear wheels.
2. Remove the lock bolts from each wheel.
3. Rotate the wheels 90° and insert the lock bolts.



NOTE: Step 4 covers alignment of the wheels. Once this adjustment is set, it should not normally be necessary to readjust it.



4. Using a string, align the wheels as shown. Adjust and secure the stop bolts.
5. Tighten the lock bolts.
6. Raise the openers or remove the jack. Secure the torque bar in the transport position with the safety stop bar.
7. After the tractor is hitched to the end hitch, move the drill ahead slowly until the front swivel wheels are properly positioned.

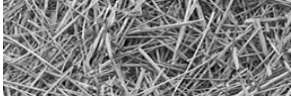


rear wheel alignment - transport position

rotating the wheels for drilling (wheel shown in drilling position)



step # 4
stop bolt



4.16 PREPARING FOR STORAGE

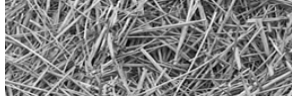
To prepare the 77/107 Drill for storage, perform the following steps:

1. Install safety stop bar to keep planting units off the ground and to minimize rusting. Before drill is stored, clean out slides should be opened to remove as much seed and fertilizer as possible. Both tanks should be flushed out thoroughly to prevent any caking of seed or fertilizer. Open and close slides while flushing to allow any fertilizer that might be under the calibration slide to work its way free. Fertilizer can be damaging if left in contact with metal parts for a prolonged period.
2. Clean all mud, dirt, grease and other foreign material from the exterior of the machine. Wash the complete machine. Repaint places where bare metal is exposed - this will inhibit rusting.
3. After inside of the tank is thoroughly dry, apply a coat of oil or diesel fuel to calibration slide, bearings and other parts that have been in contact with fertilizer or seed.
4. Remove the chains and wash them in solvent. Using a clean cloth, wipe off the chains. Soak the chains in engine oil. Drain off the excess oil and install the chains on the grain drill.
5. Coat all chains and exposed hydraulic cylinder rod with a Valvoline Tectyl 506 oil or equivalent.
6. Lubricate machine thoroughly according to the lubrication instructions.
7. Drain water from ballast tanks, if installed.
8. If possible, store the machine in a dry, protected place. If it is necessary to store the machine outside, cover it with plastic, waterproof canvas, or other suitable protective material.
9. Check the machine for any worn or broken parts. By ordering parts now, you will avoid delays when it is time to remove the machine from storage. When ordering parts always specify machine serial number and the part number of the replacement part. Part numbers can be found in the Parts List Manual.

4.17 REMOVING FROM STORAGE

To remove the 77/107 Drill from storage, perform the following steps:

1. Remove all protective coverings.
2. Remove all excess oil from chains and cylinder rods. Lubricate machine in accordance with lubrication instructions found in this manual.
3. Check all hydraulic hoses for deterioration and, if necessary, replace. Tighten any loose bolts, nuts and hydraulic fittings.
4. Follow prestarting inspection.



Section 5: Lubrication

All 77/107 Grain Drills are completely serviced at the factory before shipping. However, the operator should make a check of all grease fittings on the unit before beginning to operate it so as to become familiar with their location and the correct service schedule.

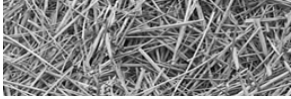
Use only a high quality, multi-purpose grease when lubricating the unit. Make sure all fittings and the nozzle of the grease applicator are clean before applying the grease. If any grease fittings are missing, replace them immediately.

Lubricating of all pillow block and flange-type self-aligning ball or roller bearings should be done slowly to help prevent bearing seal damage. Use caution when using a high pressure, high volume gun.

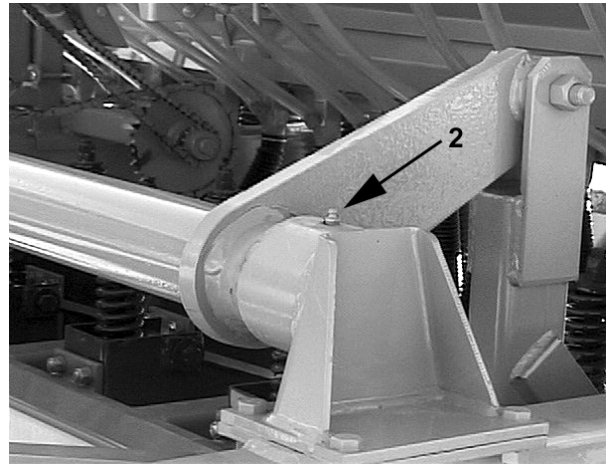
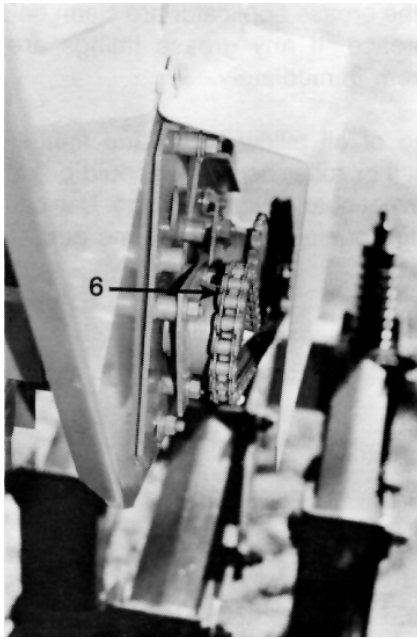
Description	Type	Frequency	No. Zerks
1. Swivel Wheel Pivot	Grease	20 Hrs.	2
2. Torque Tube Bushings	Grease	40 Hrs.	2
3. Universal Joints	Grease	40 Hrs.	2
4. Square Drive Line	Grease	40 Hrs.	1
5. Feed Wheel Shaft	Grease	100 Hrs.	6
6. Roller Chains	Oil	Daily In Dusty Conditions	
7. Tool Bar Bushing	Grease	20 Hrs.	2
8. Lift Arm Bushing	Grease	20 Hrs.	2
9. Lift Arm	Grease	20 Hrs.	2
10. Drive Wheel Frame	Grease	20 Hrs.	2
11. Packer Wheel Bearings and Coulter-Disk Bearings are Non-Relubable.			

swivel wheel pivot
lubrication zerk

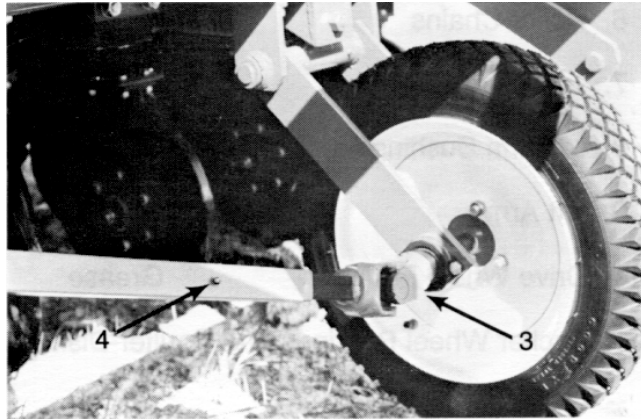




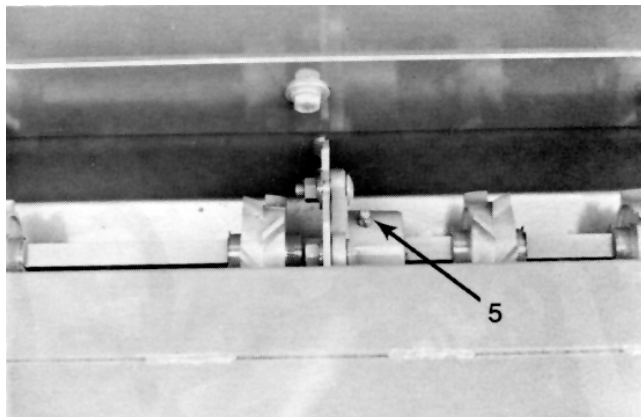
torque tube bushings
lubrication points

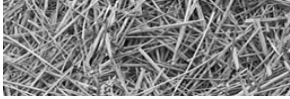


universal joints and
square drive line
lubrication zerks

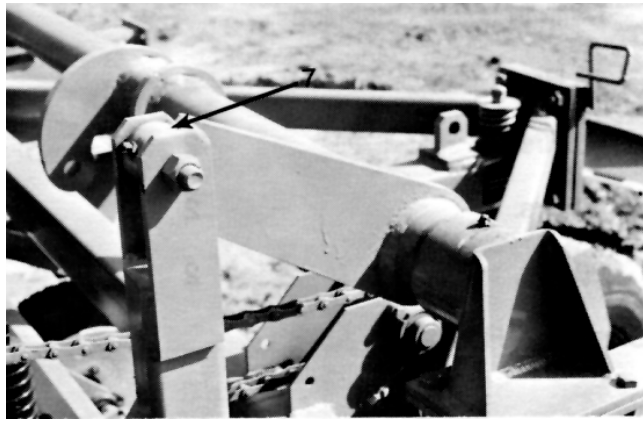


feed wheel shaft
lubrication zerk





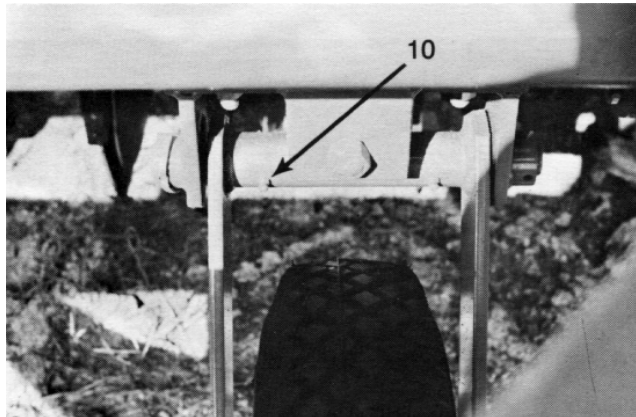
tool bar bushing
lubrication zerk



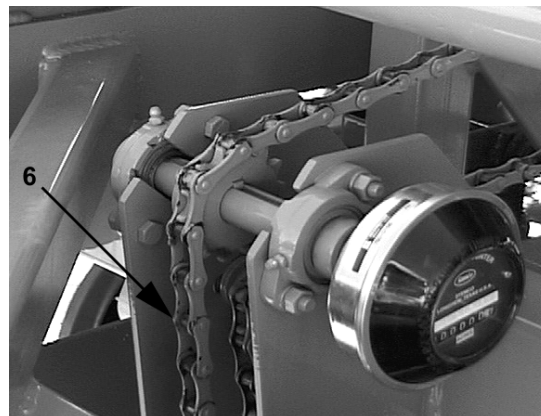
lift arm bushing
lubrication zerk

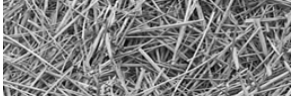


drive wheel frame
lubrication zerk



roller chains lubrication





APPENDIX A: WARRANTY

Duratech Industries International, warrants to the original purchaser for one year from purchase date that this product will be free from defects in material and workmanship when used as intended and under normal maintenance and operating conditions. This warranty is limited to the replacement of any defective part or parts returned to our factory in Jamestown, N.D., within thirty (30) days of failure.

This warranty shall become void if in Duratech Industries International's judgment the machine has been subject to misuse, negligence, alterations, damaged by accident or lack of required normal maintenance, or if the product has been used for a purpose for which it was not designed.

All claims for warranty must be made through the dealer which originally sold the product and all warranty adjustments must be made through same.

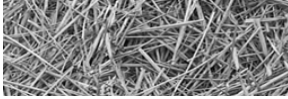
This warranty does not apply to tires or bearings or any other trade accessories not manufactured by Duratech Industries International. Buyer must rely solely on the existing warranty, if any, of these respective manufacturers.

Duratech Industries International shall not be held liable for damages of any kind, direct, contingent, or consequential to property under this warranty. Duratech Industries International cannot be held liable for any damages resulting from causes beyond its control. Duratech Industries International shall not be held liable under this warranty for rental costs or any expense or loss for labor or supplies.

Duratech Industries International reserves the right to make changes in materials and/or designs of this product at any time without notice.

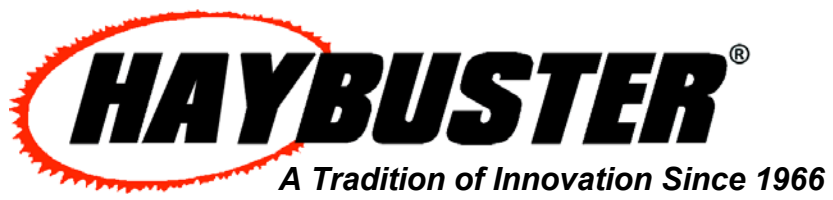
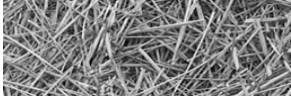
This warranty is void if Duratech Industries International does not receive a valid warranty registration card at its office in Jamestown, N.D., within 10 days from date of original purchase.

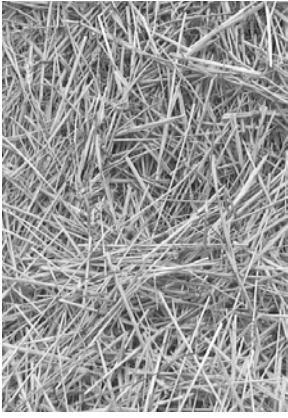
All other warranties made with respect to this product, either expressed or implied, are hereby disclaimed by Duratech Industries International.



APPENDIX B: SPECIFICATIONS

	77 drill	107 drill
Overall Width:	91"	123"
Seeding Width:	84"	126"
End Transport Width:		155"
Height:	73"	73"
Weight:	3360 lbs	3850 lbs
Tire Size- Front:	9.5x14 Implement	9.5x14 Implement
Tire Pressure	44 PSI	44 PSI
Tire Size- Rear:	7.6x14 implement	7.6x14 implement
Tire Pressure	32 PSI	32 PSI
Tire Size- Drive:	4.8x12 4-Ply	4.8x12 4-Ply
Tire Pressure	34 PSI	34 PSI
Hopper Capacity:		
Grain- Front:	12 Bu.	14 Bu.
Granulated Fertilizer:	11.5 Bu.	14 Bu.
Grain- Front & Rear:	23 Bu.	28 Bu.
Feed System:	infinitely adjustable meter	infinitely adjustable meter
Hoses:	rubber convoluted	rubber convoluted
Row Spacing:	7"	7"
Openers - Double Disc:	14"	14"
Press Wheels - Standard:	2" x 15-1/2"	2" x 15-1/2"
Press Wheels - Optional:	2" x 13"	2" x 13"
Options:	Swivel Hitch Acre Counter Legume Box Native Grass Kit Light Kit Ballast Tanks Gauge Wheels	1-2-3-4 Drill Hitch and Components Swivel Hitch Acre Counter Hitch Winch Ballast Tanks End Hitch Stabilizer - Front and Rear Legume Box Native Grass Kit Gauge Wheels False Bottom Light Kit





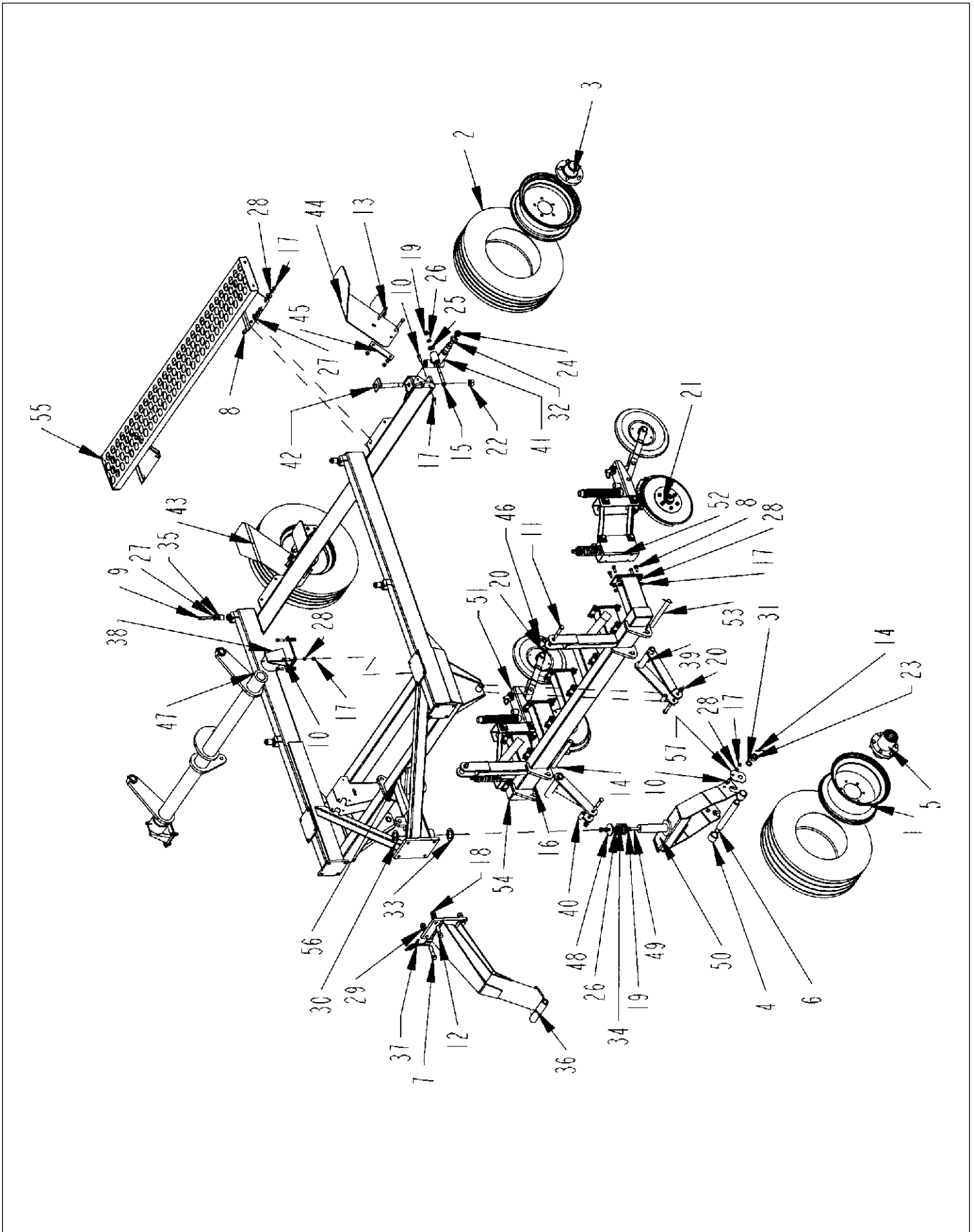
77/107 DRILL

107 DRILL - S.N. CJ 4427 & UP

77 DRILL - S.N. CJ 50177 & UP

Part 2: Parts Reference

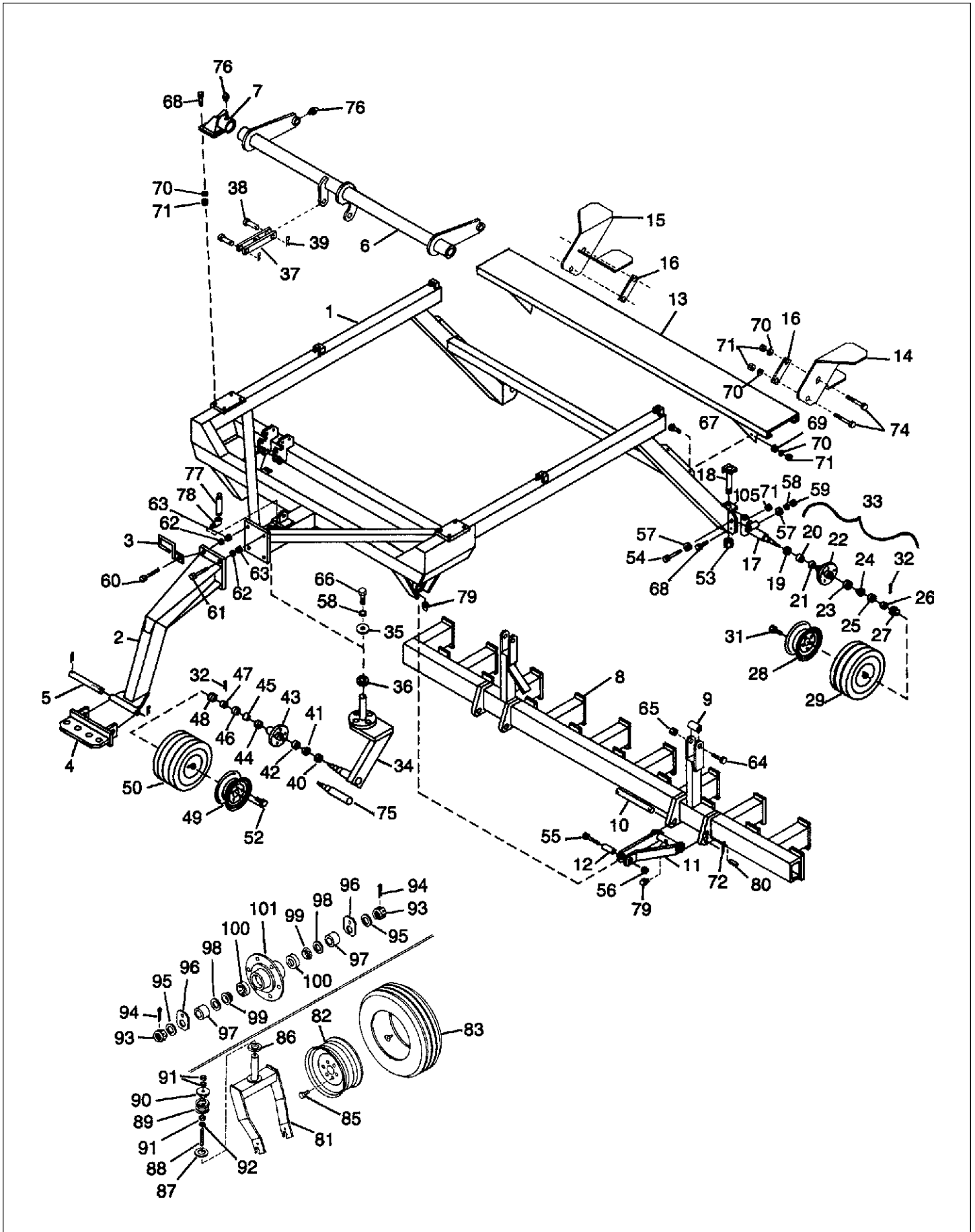
77 MAIN FRAME ASSEMBLY



77 MAIN FRAME ASSEMBLY

ITEM	PART NO.	QTY.	DESCRIPTION
1	2600825	1	WHL\IMP\9.5X14\TIRE&RIM
	2600013		TIRE\9.5LX14\8PLY
	2600601		WHL\6-BOLT\14X8
2	2600834	2	WHL\IMP\7.60X15\TIRE&RIM
	2600008		TIRE\7.60X15\8PLY;IMP
	2600606		WHL\5-BOLT\15X5
3	2900011	2	HUB\WITH CONES\W\NUTS
4	2900084	2	SPACER\HUB\WHEEL
5	2900089	1	HUB\H-628(FORK)\COMPLETE
6	3000018	1	SPNDL\FORK
7	4800017	1	BOLT\HEX\3/4X3
8	4800018	52	BOLT\HEX\1/2X1-1/4
9	4800068	4	BOLT\HEX\1/2X3
10	4800082	12	BOLT\HEX\1/2X1-1/2
11	4800100	4	BOLT\HEX\5/8X4
12	4800115	3	BOLT\HEX\3/4X2-1/2
13	4800141	4	BOLT\HEX\1/2X4-1/2
14	4800157	6	PIN\COT\3/16X2
15	4800158	2	BOLT\HEX\5/8X4-1/2
16	4800279	4	PIN\RLLD\1/4X1-1/4
17	4900001	68	NUT\HEX\1/2NC
18	4900004	4	NUT\HEX\3/4NC
19	4900005	5	NUT\HEX\5/8NC
20	4900012	4	NUT\TPLCK\5/8NC
21	4900014	4	NUT\TPLCK\1/2NC
22	4900015	2	NUT\WYLC\1\1NC
23	4900020	2	NUT\SLOT\1\1NC
24	4900054	2	NUT\CASTLE\1/2NF
25	5000002	4	WASH\FLAT\5/8
26	5000003	3	WASH\LOCK\5/8
27	5000004	16	WASH\FLAT\1/2
28	5000006	66	WASH\LOCK\1/2
29	5000012	4	WASH\LOCK\3/4
30	5000032	1	WASH\MACH\2IDX10GA
31	5000040	2	WASH\BUSH;MACH\1
32	5000055	2	WASH\SPINDLE\7/8
33	5000075	1	WASH\MACH\3X2-1/16X1/4
34	6100044	1	SPRNG\2-1/16X3/8WIRE\2"LG
35	7500134	4	GROM 1.25ODX 17/32IDX 1.25
36	8400032	1	GOOSENECK
37	8400033	1	HOSE\MINDER
38	8400036	2	TUBE\TORQUE\PIVOT
39	8400038	2	ARMLIFT
40	8400039	2	BUSH\ARMLIFT\1X5/8X2-1/8
41	8400041	2	SPNDL\REAR\WHL
42	8400042	2	BOLT\PIVOT\REAR\WHL
43	8400130	1	STEP\REAR\RH
44	8400131	1	STEP\REAR\LH
45	8400132	2	STRAP\REAR\STEP;MOUNT
46	8400150	2	BUSH\TOOL_BAR\1-1/4X3/4X2
47	8400272	1	TUBE\TORQUE
48	8400281	1	CAP\RETARDED\WHL\SWIVEL
49	8400282	1	ROD\THRDD\5/8X4
50	8400283	1	FORK\WHL\SWVL
51	8400351	1	RUN\DRILL\LH\ASSY
52	8400352	1	RUN\DRILL\LH\ASSY
53	8400419	2	PIN\LIFT_ARM\1X11-1/4
54	8400701	1	BAR\TOOL\7"SPCNG
55	8400702	1	WALKWAY\100_SERIES
56	8400742	1	FRM\MAIN\77
57	8800021	2	RETAINER\SPNDL

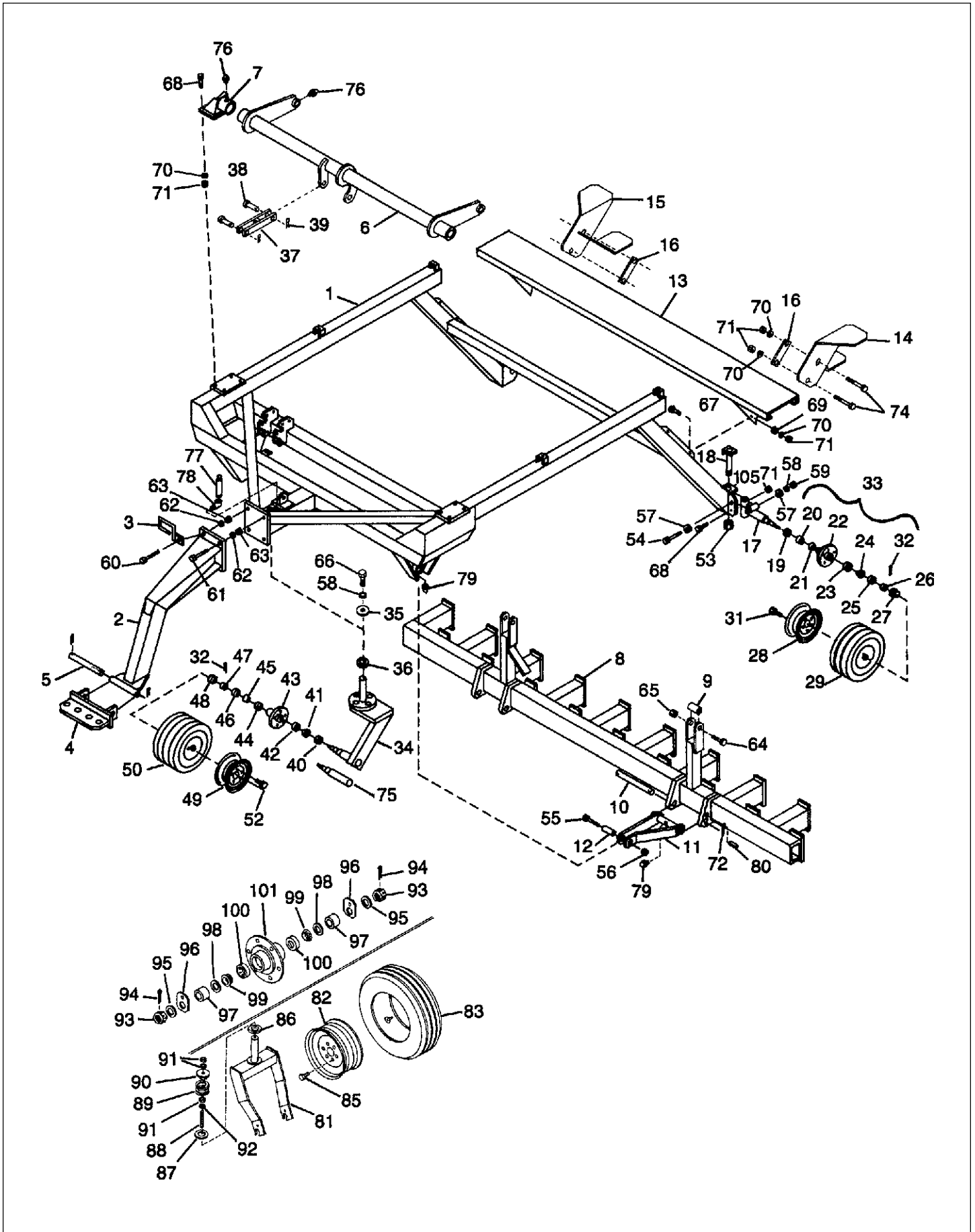
107 MAIN FRAME ASSEMBLY



107 MAIN FRAME ASSEMBLY

ITEM	PART NO.	QTY.	DESCRIPTION
1	8400031	1	Main Frame
2	8400032	1	Goose Neck
3	8400033	1	Hose Minder
4	8400034	1	Hitch Block
5	8400417	1	Hitch Block Pin 1" x 10"
6	8400272	1	Torque Tube
7	8400036	1	Torque Tube Pivot
8	8400273	1	Tool Bar 7" Spacing
9	8400150	2	Tool Bar Bushing 1-1/4" O.D. x 3/4" I.D. x 2" Long
10	8400419	2	Lift Arm Pin 1" x 11-1/4"
11	8400038	2	Lift Arm
12	8400039	2	Lift Arm Bushing 1" O.D. x 5/8" I.D. x 2-1/8" Long
13	8400040	1	Walk Way
14	8400131	1	Rear Step L.H.
15	8400130	1	Rear Step R.H.
16	8400132	2	Rear Step Strap
17	8400041	2	Rear Wheel Spindle
18	8400042	2	Rear Wheel Pivot Bolt
19	2900014	2	Grease Seal
20	2900015	2	Cone - Inner 1-3/8 Bore
21	2900016	2	Cup - Inner
22	na	2	Hub - 5 Bolt order 2900011
23	2900004	2	Cup - Outer
24	2900018	2	Cone - Outer
25	5000055	2	Washer\Spindle\7/8
26	4900054	2	Nut 7/8" 14" NF
27	2900013	2	Dust Cap
28	2600606	2	Wheel 15 x 5 - 5 Bolt
29	2600008	2	Tire 7.60 x 15-4 Ply Imp
31	2900012	10	Wheel Bolt
32	4800044	3	Cotter Pin 5/32 x 1-1/2
33	2900011	1	Hub (Complete w/Dust Cap) includes 19, 20, 21, 22, 23, 24, 27, & 31
34	8400043	1	Swivel Wheel Frame
35	8400044	1	Swivel Wheel Retainer Washer
36	2000032	1	Thrust Bearing T-199
37	8400103	1	Hold Up Bar (Transport)
38	4800527	2	3/4" x 2" Clevis Pin
39	4800107	1	1/8" Hair Pin
40	2900008	1	Grease Seal
41	2900007	1	Cone - Inner
42	2900006	1	Cup - Inner
43	na	1	Hub - 6 Bolt
43A	2900069	1	Hub Assembly - Complete includes 40, 41, 42, 43, 44, 45, 48, & 52
44	2900004	1	Cup - Outer
45	2900018	1	Cone - Outer
46	5000056	1	Washer
47	4900055	1	Nut
48	2900048	1	Dust Cap
49	2600601	1	Wheel 14" 6" Bolt
50	2600013	1	Tire 9.5L x 14"
52	2900010	6	Wheel Bolts
53	4900015	2	1" NC Lock Nut
54	4800158	2	5/8" x 4-1/2" Hex Bolt
55	4800100	4	5/8" x 4" Hex Bolt
56	4900012	4	5/8" Lock Nut
57	5000002	4	5/8" Flat Washer
58	5000003	3	5/8" Lock Washer

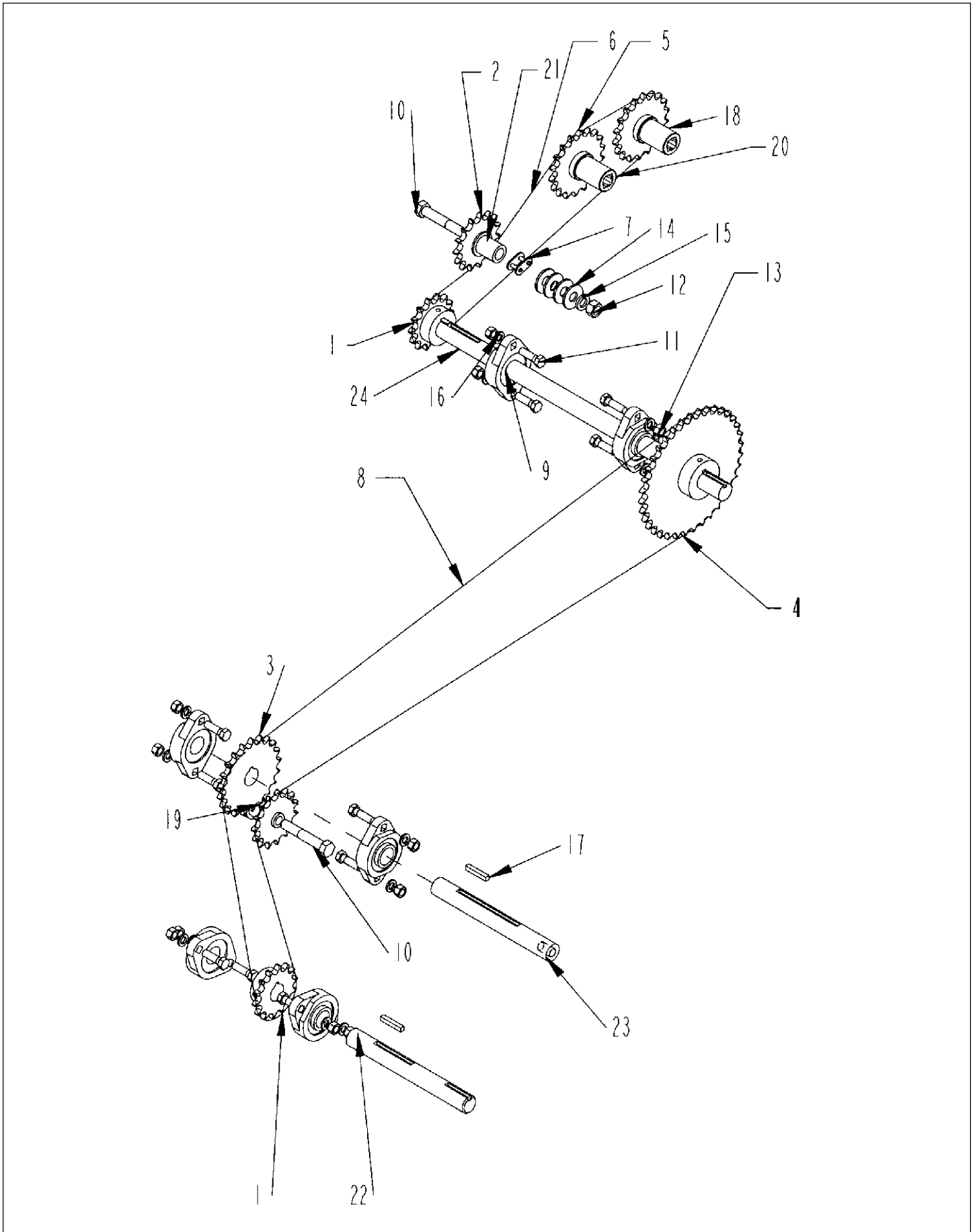
107 MAIN FRAME ASSEMBLY



107 MAIN FRAME ASSEMBLY

ITEM	PART NO.	QTY.	DESCRIPTION
59	4900005	2	5/8" Hex Nut
60	4800017	1	3/4" x 3" Hex Bolt
61	4800115	3	3/4" x 2-1/2" Hex Bolt
62	5000012	4	3/4" Lock Washer
63	4900004	4	3/4" Hex Nut
64	4800063	2	3/4" x 4" Bolt
65	4900139	2	3/4" Lock Nut Grade 8
66	4800106	1	5/8" x 1-1/2" Hex Bolt
67	4800018	4	1/2" x 1-1/4" Hex Bolt
68	4800082	12	1/2" x 1-1/2" Hex Bolt
69	5000004	4	1/2" Flat Washer
70	5000006	18	1/2" Lock Washer
71	4900001	20	1/2" Hex Nut
72	4800157	6	3/16" x 2" Cotter Key
73	4800044	1	5/32" x 1-1/2" Cotter Key
74	4800141	4	1/2" x 4-1/2" Hex Bolt
75	3000002	1	Spindle
76	3800041	4	1/8" Pipe Straight Zerk
77	3800126	1	1/8" x 2-5/8" Straight Zerk
78	3800111	1	1/8" 90° Straight Elbow
79	3800082	4	1/4" Tapered Straight Zerk (Serial No. 2672 and Up)
80	4800279	2	1/4" x 1-1/4" Rolled Pin (Serial No. 2672 and Up)
81	8400283	1	Swivel Wheel Fork
82	2600601	1	Wheel 14" x 6" 6 Bolt
83	2600013	1	Tire 9.5L x 14
82 & 83	2600825		WHL\IMP\9.5X14\TIRE & RIM
85	2900083	6	Wheel Bolt Nut 9/16"
86	5000075	1	3" O.D. x 2-1/16" I.D. x 1/4" Washer
87	5000032	1	2" I.D. x 10 Ga. Washer
88	8400282	1	5/8" x 4" Threaded Rod
89	6100044	1	Spring
90	8400281	1	Swivel Wheel Retarder Cap
91	4900005	3	5/8" Nut
92	5000003	1	5/8" Lock Washer
93	4900115	2	1" Castle Nut
94	4800157	2	3/16" x 2" Cotter Key
95	5000056	2	1" Spindle Washer
96	8800021	2	Spindle Keeper
97	2900084	2	Spacer
98	2900085	2	Seal
99	2900086	2	Cone 2788
100	2900087	2	Cup 2720
101	na	1	Hub order 2900089
102	2900089	1	Hub Assembly includes 98, 99, & 100
103	3000018	1	Spindle (Not Shown)
104	2900090	6	9/16 x 2-1/4 Stud Bolt
105	8400349	2	Rear Wheel Pivot Mount
106	8400611	1	
107	8400612	1	
108	8400450	1	King Pin 2" O.D. x 11-1/2" Hardened

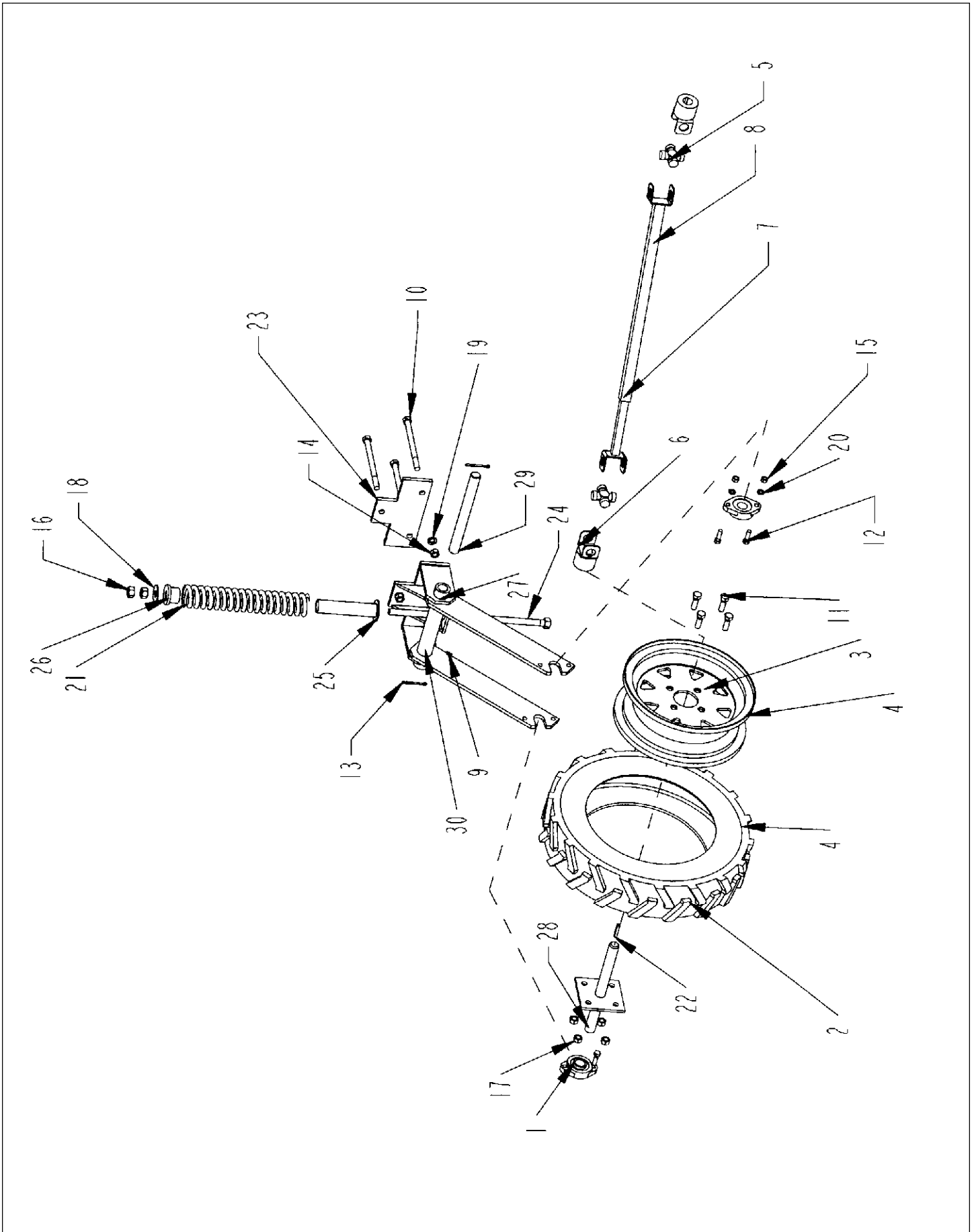
77 DRIVE ASSEMBLY



77 DRIVE ASSEMBLY

ITEM	PART NO.	QTY.	DESCRIPTION
1	1000029	2	SPKT\50\B\14\1\1/4KW
2	1000039	2	SPKT\50\15\1/2\IDLER
3	1000057	1	SPKT\50\B\21\1\1/4KW
4	1000075	1	SPKT\50\B\36\1\1/4KW
5	1000109	2	SPKT\50\18\PL
6	1100006	1	CHAIN\50\73
7	1100059	1	CHAIN\50\CL
8	1100152	1	CHAIN\2050\84
9	2000310	6	BRG\FLG\CAST\1\2BOLT
10	4800068	2	BOLT\HEX\1/2X3
11	4800098	12	BOLT\HEX\3/8X1-1/4\NC
12	4900001	2	NUT\HEX\1/2\NC
13	4900002	12	NUT\HEX\3/8\NC
14	5000004	10	WASH\FLAT\1/2
15	5000006	2	WASH\LOCK\1/2
16	5000019	12	WASH\LOCK\3/8
17	6200005	4	KEY\SQ\1/4X1-1/2
18	7400065	2	SLV\SQ_HL\5/8X1-1/4OD
19	8400058	1	SPCR\DRV\1ODX.640IDX1L\>
20	8400071	2	SPKT\DRIVEW\SQ_HL_SLV
21	8400073	1	SPCR\DRV\1ODX.640IDX1.25L
22	8400415	1	SHFT\1ST\1X8-3/4\1000
23	8400446	1	SHFT\1X8-1/2\ACRECTR
24	8400718	1	SHFT\1X21.5

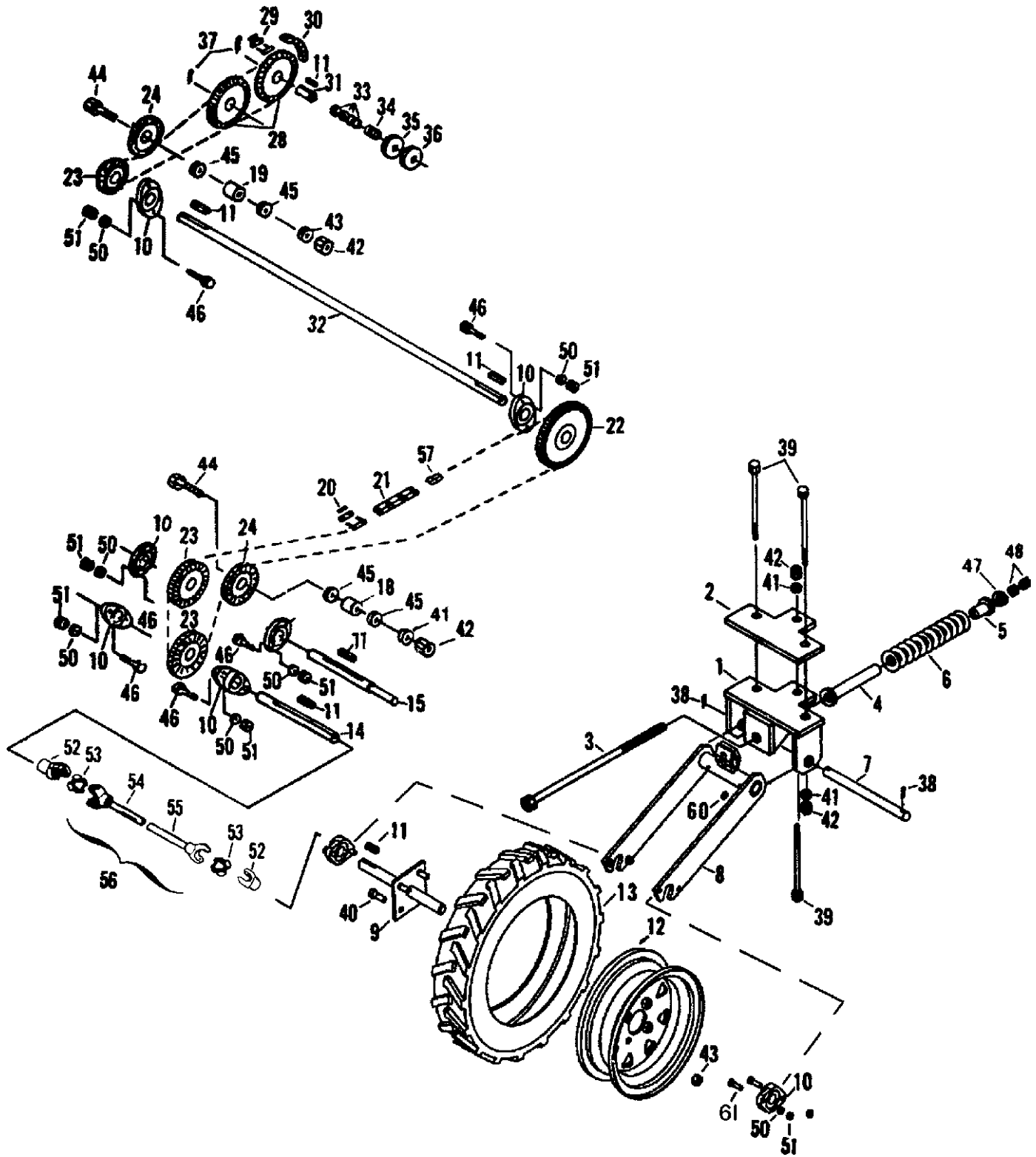
77 DRIVE WHEEL ASSEMBLY



77 DRIVE WHEEL ASSEMBLY

ITEM	PART NO.	QTY.	DESCRIPTION
1	2000310	2	BRG\FLG\CAST\1-1/4\2BOLT
2	2600042	1	TIRE\4.8X12\LUG\4PLY
3	2600618	1	WHL\12X4\4HL\RIM
4	2600822	1	WHL\ASSY\4.8X12\4-BOLT\LUG TREAD includes items 2 & 3
5	3600008	2	CROSS BEARING KIT
6	3600103	2	1" YOKE
7	3600105	1	TUBE W/YOKE
8	3600106	1	SHAFT W/YOKE
9	3800082	2	FTG\LUB\1/4NFXZERK\ADAPT
10	4800080	3	BOLT\HEX\1/2X7
11	4800082	4	BOLT\HEX\1/2X1-1/2
12	4800098	4	BOLT\HEX\3/8X1-1/4\NC
13	4800157	2	PIN\COT\3/16X2
14	4900001	3	NUT\HEX\1/2\NC
15	4900002	4	NUT\HEX\3/8\NC
16	4900005	3	NUT\HEX\5/8\NC
17	4900014	4	NUT\TPLCK\1/2\NC
18	5000002	1	WASH\FLAT\5/8
19	5000006	3	WASH\LOCK\1/2
20	5000019	4	WASH\LOCK\3/8
21	6100032	1	SPRING\12-1/2X2-1/4 O.D. (.406 WIRE)
22	6200005	1	KEY\SQ\1/4X1-1/2
23	8400023	1	PL\MNT\WHL\DR
24	8400024	1	ROD\SPRG\WHL\DR
25	8400025	1	GUIDE\SPRING\LONG
26	8400026	1	GUIDE\SPRING\SHORT
27	8400310	1	FRM\WHL\DR\WELD
28	8400414	1	AXLE\WHL\DRV
29	8400442	1	PIN\WHL\DR\1"X10 1/2"
30	8400626	1	BRKT\FORK\WHL\DRV\16-1/2X7-1/2

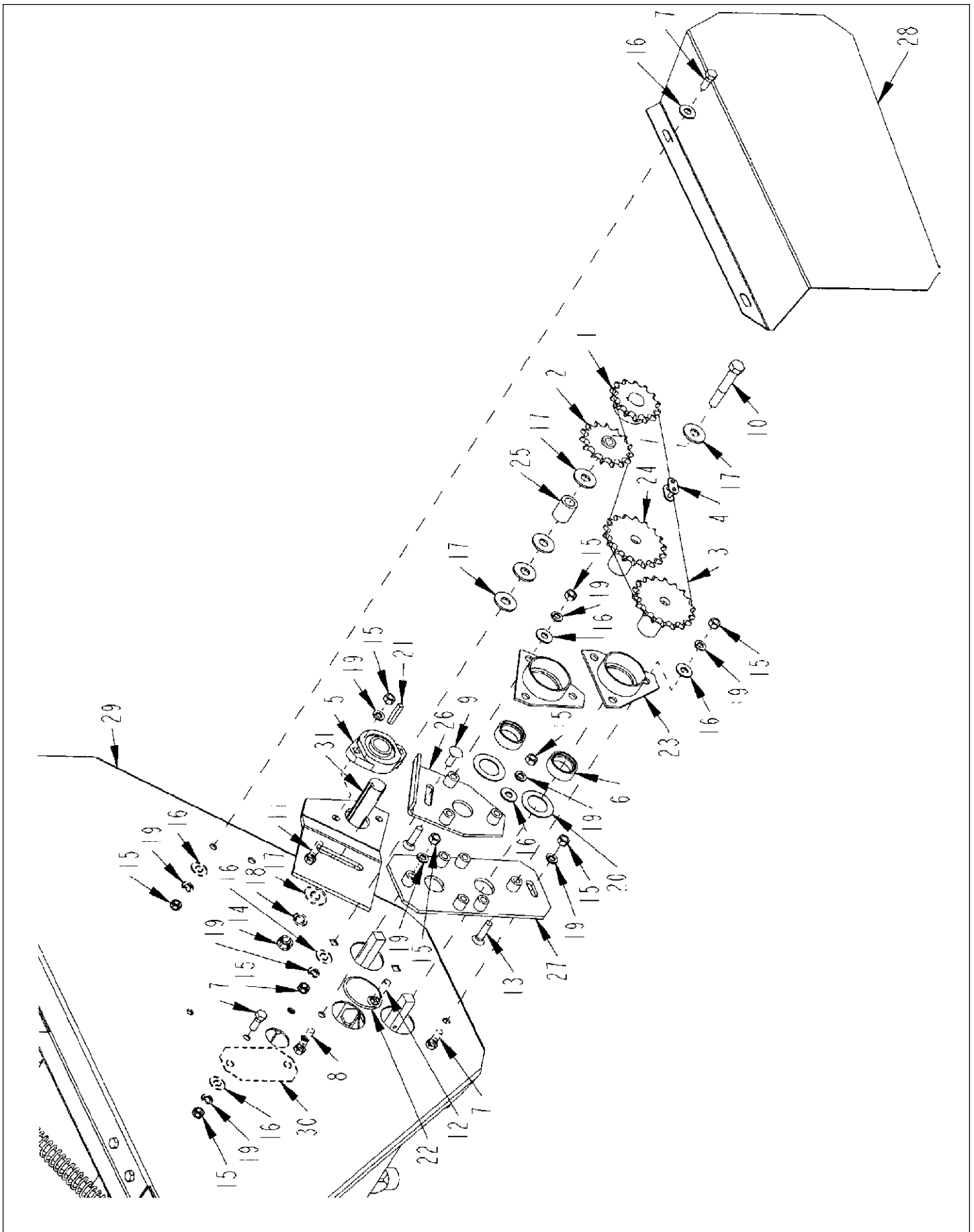
107 DRIVE ASSEMBLY



107 DRIVE ASSEMBLY

ITEM	PART NO.	QTY.	DESCRIPTION
1	8400310	1	Drive Wheel Frame
2	8400023	1	Drive Wheel Mount Plate
3	8400024	1	Drive Wheel Spring Rod
4	8400025	1	Spring Guide (Long)
5	8400026	1	Spring Guide (Short)
6	6100032	1	Spring
7	8400311	1	Pin, 1"x 10-1/2"
8	8400626		Drive Wheel Fork
9	8400414	1	Drive Wheel Shaft
10	2000310	8	1" Cast Flangette
11	6200014	7	1/4" Key, 1-1/4"
12&13	2600821	1	Wheel Asy., 4.80 x 12, 4 Bolt, Lug Tire
13	2600042	1	Tire, 4.80 x 12, Lug, 4 Ply
14	8400415	1	1st Shaft, 1 " x 8-3/4"
15	8400416	1	2nd Shaft, 1" x 10"
15A	8400446	1	SHFT\1X8-1/2\ACRECTR
18	8400058	1	Spacer, 1" x 1" O.D.
19	8400059	1	Spacer, 3/4" x 1" O.D.
20	1100230	1	A2050NP Conn. Link
21	1100238	1	A2050NP Chain. 84 Links w/CL
22	1000075	1	5036 Sprocket 1" Shaft 1/4KW
23	1000029	3	5014 Sprocket 1" Shaft 1/4KW
24	1000039	1	Idler Sprocket - 15 Tooth 50/15/1/2
28	1000100	2	5018 Sprocket
29	1100059	1	#50 Conn. Link
30	1100006	1	#50 Chain, 73 Links w/CL
31	7400250	2	Sq. Hole Sleeve w/K.W. 2-1/8"
32	8400440	1	Shaft 1" x 36"
33	5000027	8	Washers, 1-3/8" O.D. x 7/8" I.D. x 18 Ga.
34	6100016	2	Springs
35	5000013	2	Steel Washer, 5/8" Sq. Hole
36	5000028	2	Nylon Washer, 5/8" Sq. Hole
37	4800123	3	1/8" x 1-1/2" Cotter Key
38	4800157	1	3/16" x 2" Cotter Key
39	4800080	3	1/2" x 7" Hex Bolt
40	4800018	4	1/2" x 1-1/4" Hex Bolt
41	5000006	3	1/2" Lock Washer
42	4900001	3	1/2" Hex Nut
43	4900014	4	1/2" Lock Nut
44	4800068	2	1/2" x 3" Hex Bolt
45	5000004	4	1/2" Flat Washer
46	4800098	1	2 3/8" x 1-1/4" Hex Bolt
47	5000002	1	5/8" Flat Washer
48	4900005	2	5/8" Hex Nut
50	5000019	1	8 3/8" Lock Washer
51	4900002	2	0 3/8" Hex Nut
52	3600103	2	GRW 1" Yoke
53	3600008	2	GRW Cross & Brg.
54	3600105	1	LGW Tube w/Yoke
55	3600106	1	LGW Shaft w/Yoke
56	3600102	1	LGW Power Shaft Comp
54	A 360025	4	1 Female Half G & G
55	A 360025	3	1 Male Half G & G
56	A 360024	1	1 G & G Power Shaft Comp
57	1100228	2	Chain/50NP/OL
60	3800082	2	1/4" Tapered Straight Zerk
61	4800034	4	3/8X1-1/2 Hex Bolt

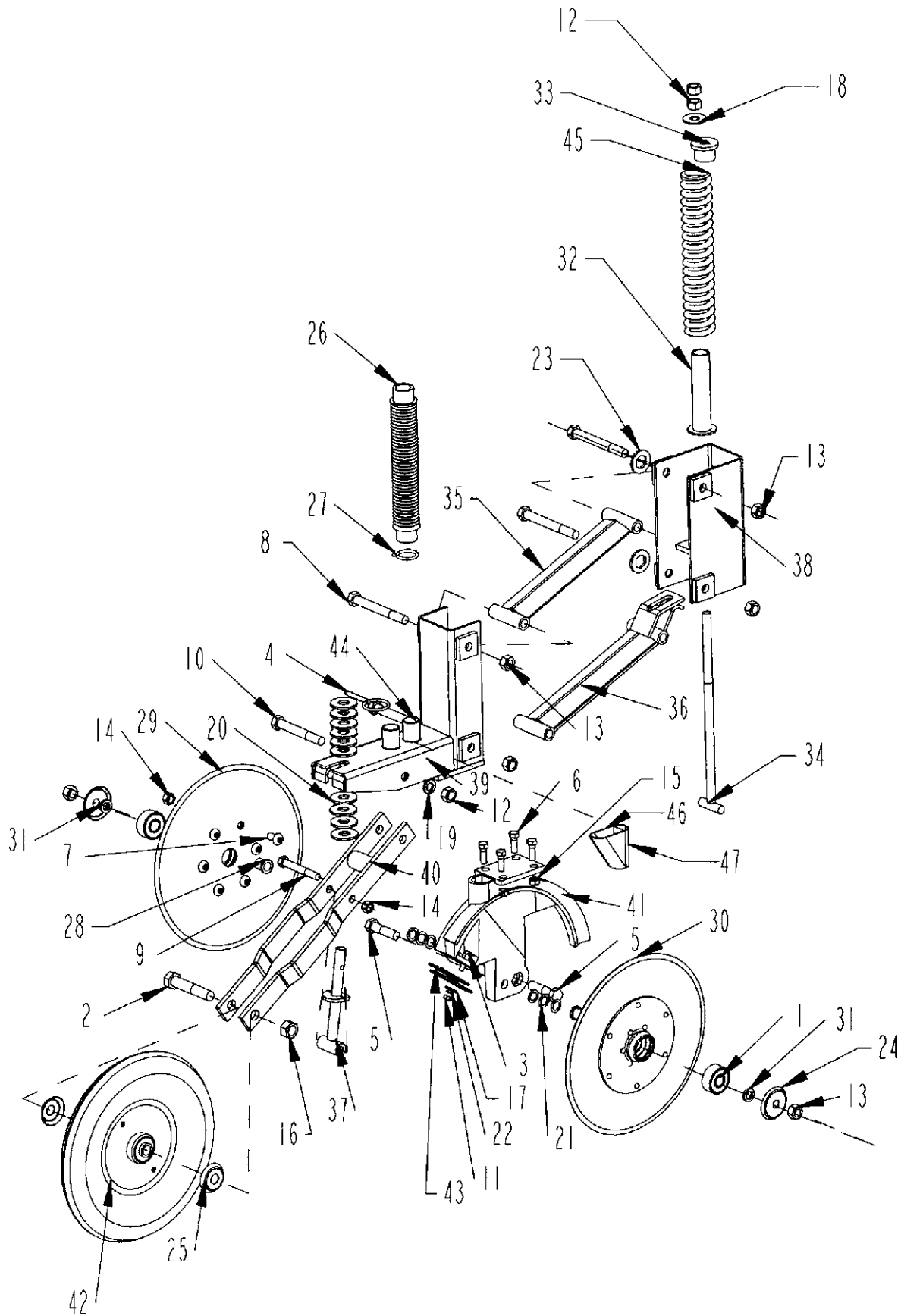
TANK END DRIVE (77 & 107)



TANK END DRIVE (77 & 107)

ITEM	PART NO.	QTY.	DESCRIPTION
1	1000029	1	SPKT\50\B\14\1\1\4KW
2	1000039	1	SPKT\50\15\1\2\IDLER
3	1100234	1	CHAIN\50NP\73
4	1100257	1	CHAIN\50NP\CL
5	2000310	1	BRG\FLG\CAST\1-1/4\2BOLT
6	2000802	2	CLLR\ECC\1-1/4
7	4800003	3	BOLT\HEX\3/8X8X1
8	4800034	1	BOLT\HEX\3/8X8X1-1/2
9	4800053	1	BOLT\CRG\3/8X1\NC
10	4800068	1	BOLT\HEX\1/2X3
11	4800098	4	BOLT\HEX\3/8X1-1/4\NC
12	4800168	1	BOLT\CRG\3/8X1-3/4\NC
13	4800230	5	SCR\CSK\ALN\3/8X1-1/2\NC
14	4900001	1	NUT\HEX\1/2\NC
15	4900002	15	NUT\HEX\3/8\NC
16	5000001	2	WASH\FLAT\3/8
17	5000004	6	WASH\FLAT\1/2
18	5000006	1	WASH\LOCK\1/2
19	5000019	15	WASH\LOCK\3/8
20	5000084	2	2"PD 1-1/4ID OILITE WASHER
21	6200014	1	KEY\SQ\1/4X1-1/4
22	7500515	2	PLASTIC PLUG 107 DRILL
23	8400070	2	BRG\1-1/4W\BRKT\3-HL
24	8400071	1	SPKT\DRIVEW\SQ_HL_SLV
25	8400073	1	SPCR\DRV\1ODX.640IDX1.25L
26	8400074	1	PL\SEAL\TANK\DRILL
27	8400242	1	PL\SEAL\TANK\107
28	8400243	1	SHLD\DR\AGTTR\SGL
29	8400244	1	TANK\WLDMNT\S\N2672\107
30	8400274	1	PLUG\TANK\STL\107DRILL
31	8400440	1	SHFT\1X36\100 DRILL

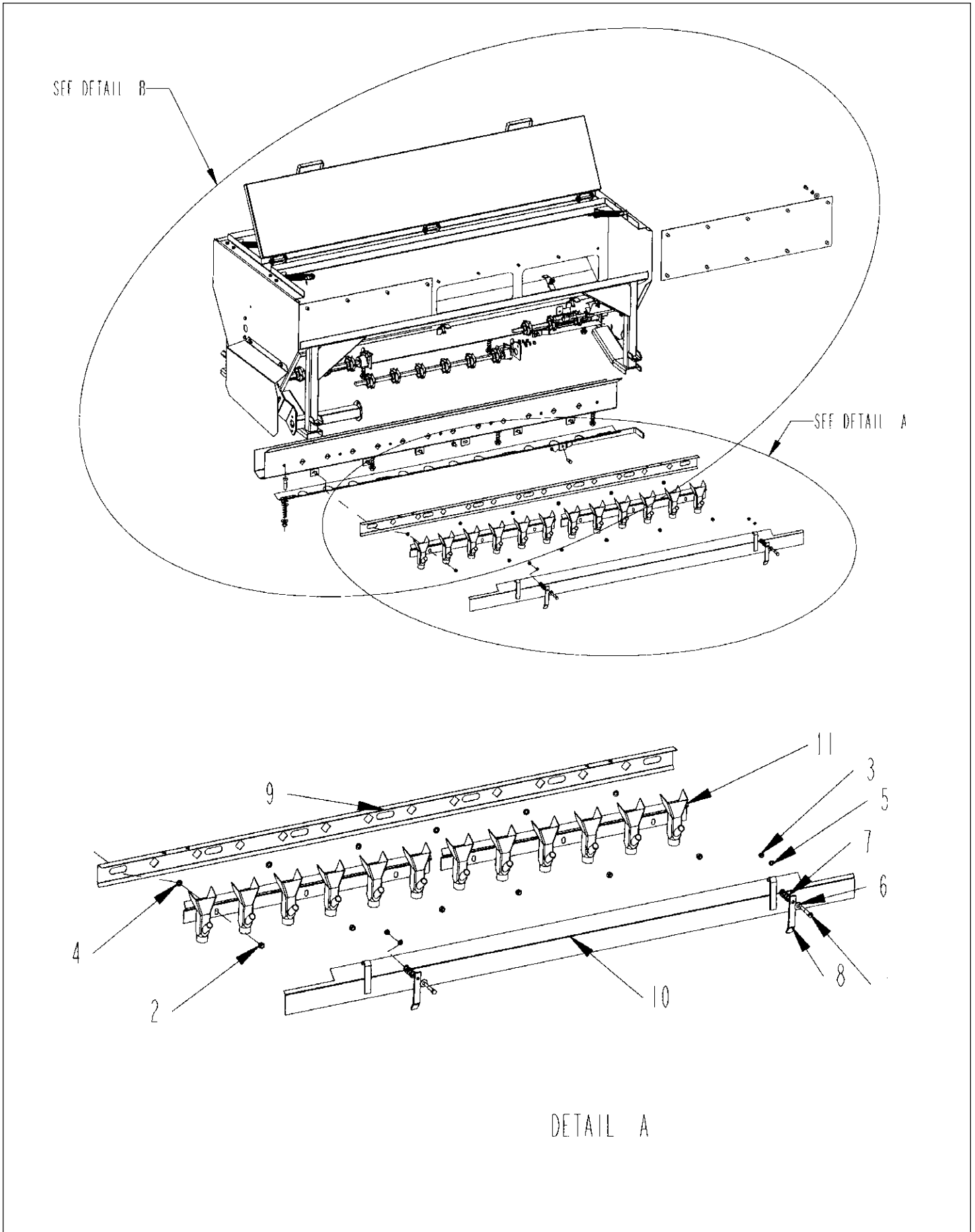
RUN ASSEMBLY (77 & 107)



RUN ASSEMBLY (77 & 107)

ITEM	PART NO.	QTY.	DESCRIPTION
1	2000031	2	BRG\ROW\DBL
2	4800063	1	BOLT\HEX\3/4X4
3	4800071	1	BOLT\HEX\5/16X1-1/4
4	4800076	1	PIN\KLIK\5/16
5	4800079	2	BOLT\HEX\5/8X2-1/2
6	4800160	4	BOLT\HEX\7/16X1-1/4
7	4800161	6	SCR\BUT\ALN\1/2X1\NC
8	4800218	4	BOLT\HEX\5/8X5-1/2
9	4800231	1	BOLT\HEX\1/2X3-3/4
10	4800652	1	BOLT\HEX\5/8X4-3/4\NC
11	4900003	1	NUT\HEX\5/16\NC
12	4900005	3	NUT\HEX\5/8\NC
13	4900012	6	NUT\TPLCK\5/8\NC
14	4900014	7	NUT\TPLCK\1/2\NC
15	4900035	4	NUT\TPLCK\7/16\NC
16	4900139	1	NUT\TPLCK\3/4\GR8\NC
17	5000023	1	WASH\FLAT\5/16
18	5000002	1	WASH\FLAT\5/8
19	5000003	1	WASH\LOCK\5/8
20	5000005	10	WASH\FLAT\3/4
21	5000009	6	WASH\1" OD\ SHIM
22	5000022	1	WASH\LOCK\5/16
23	5000067	4	WASH\HEX\15/16IDX1.75X7GA
24	7400258	2	CAP\DUST
25	7400264	2	CAP\WHL\W/O_PILOT
26	7500097	1	CONVOLUTED HOSE
27	7500098	1	CLAMP\SDHOSE\1-1/4A-24
28	7500160	2	#6610 BREAING BUSHING
29	7500187	1	BLADE\ASSY\14"COULTER
30	7500188	1	BLADE\ASSY\DISC\14"
31	7500307	2	CAP\SPACER\BUSHING
32	8400025	1	GUIDE\SPRING\LONG
33	8400026	1	GUIDE\SPRING\SHORT
34	8400047	1	ROD\SPG\5/8X15
35	8400048	1	LINK\RUN\UPPER
36	8400049	1	LINK\RUN\LWR
37	8400064	1	ROD\DEPTH\WHEEL\PACKER
38	8400340	1	FRM\RUN\FR\107\SN672
39	8400341	1	FRM\RUN\REAR\107\SN2672
40	8400355	1	WHL\PRESS\STL\SUB-ASY
41	8400567	1	BOOT\DRILL\LH\ASSY
41	8400568	1	BOOT\DRILL\RH\ASSY
42	8400617	1	WHL\PRESS\STL\ASSY
43	8400670	2	SCRPR\DISC
44	8400673	2	TUBE\FRM\RUN\REAR
45	6100032	1	SPRING\12-1/2X2-1/4 O.D. (.406 WIRE)
46	8400671	1	GUIDE\TUBE\LH\FRM\RUN\REAR
47	8400672	1	GUIDE\TUBE\RH\FRM\RUN\REAR

77 TANK ASSEMBLY (DETAIL A)

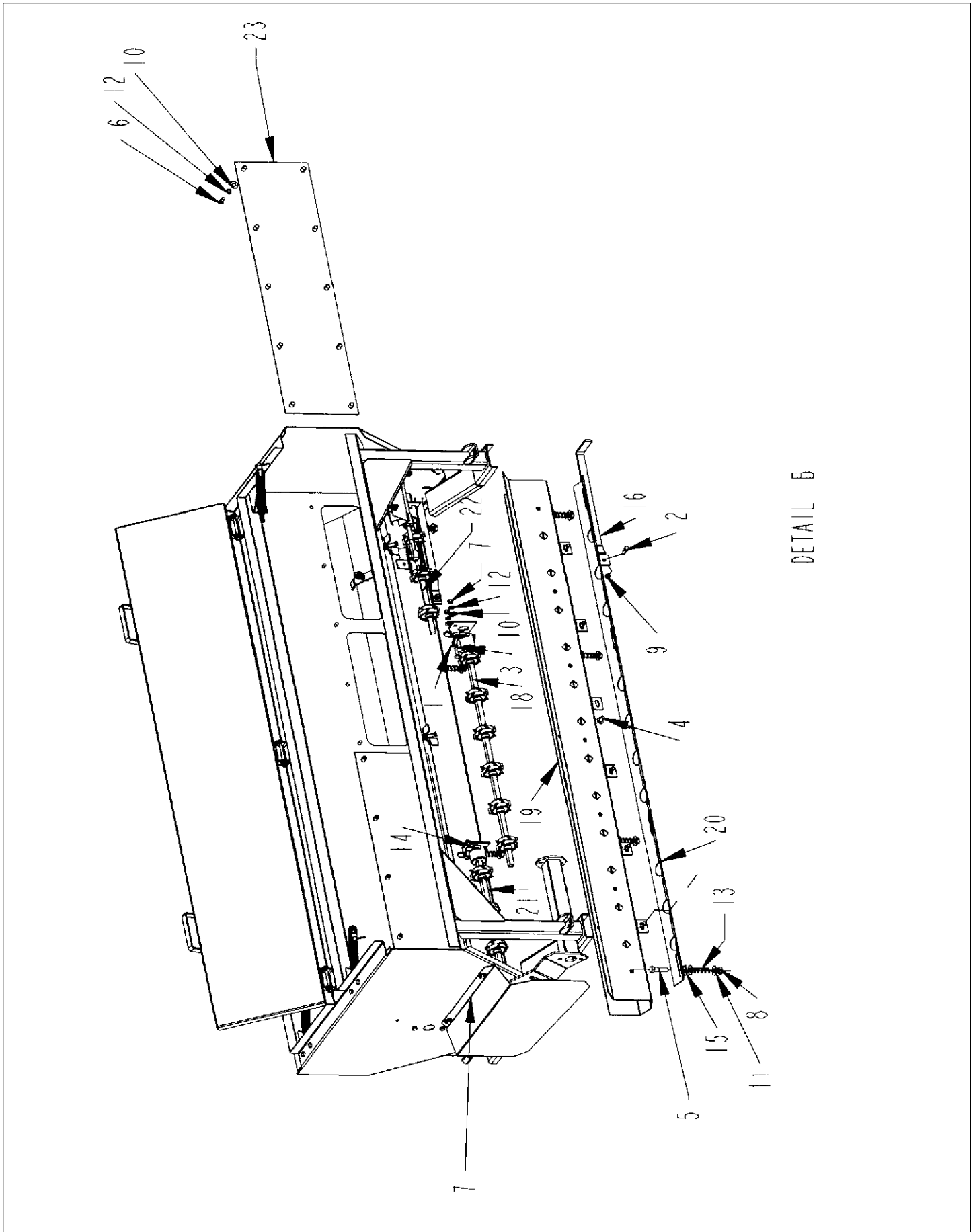


DETAIL A

77 TANK ASSEMBLY (DETAIL A)

ITEM	PART NO.	QTY.	DESCRIPTION
1	4800118	4	BOLT\HEX\5/16X2
2	4900002	49	NUT\HEX\3/8\NC
3	4900003	21	NUT\HEX\5/16\NC
4	5000019	69	WASH\LOCK\3/8
5	5000022	21	WASH\LOCK\5/16
6	5000023	16	WASH\FLAT\5/16
7	6100002	12	SPRING\COMP\.072W\11/16OD\2-1/8LONG
8	8300355	4	LATCH\GUARD\WIND\8000
9	8400705	1	PL\CNTRL\7" SPACING
10	8400715	2	GUARD\WIND
11	8700015	2	CUP\SEED\CTRLB

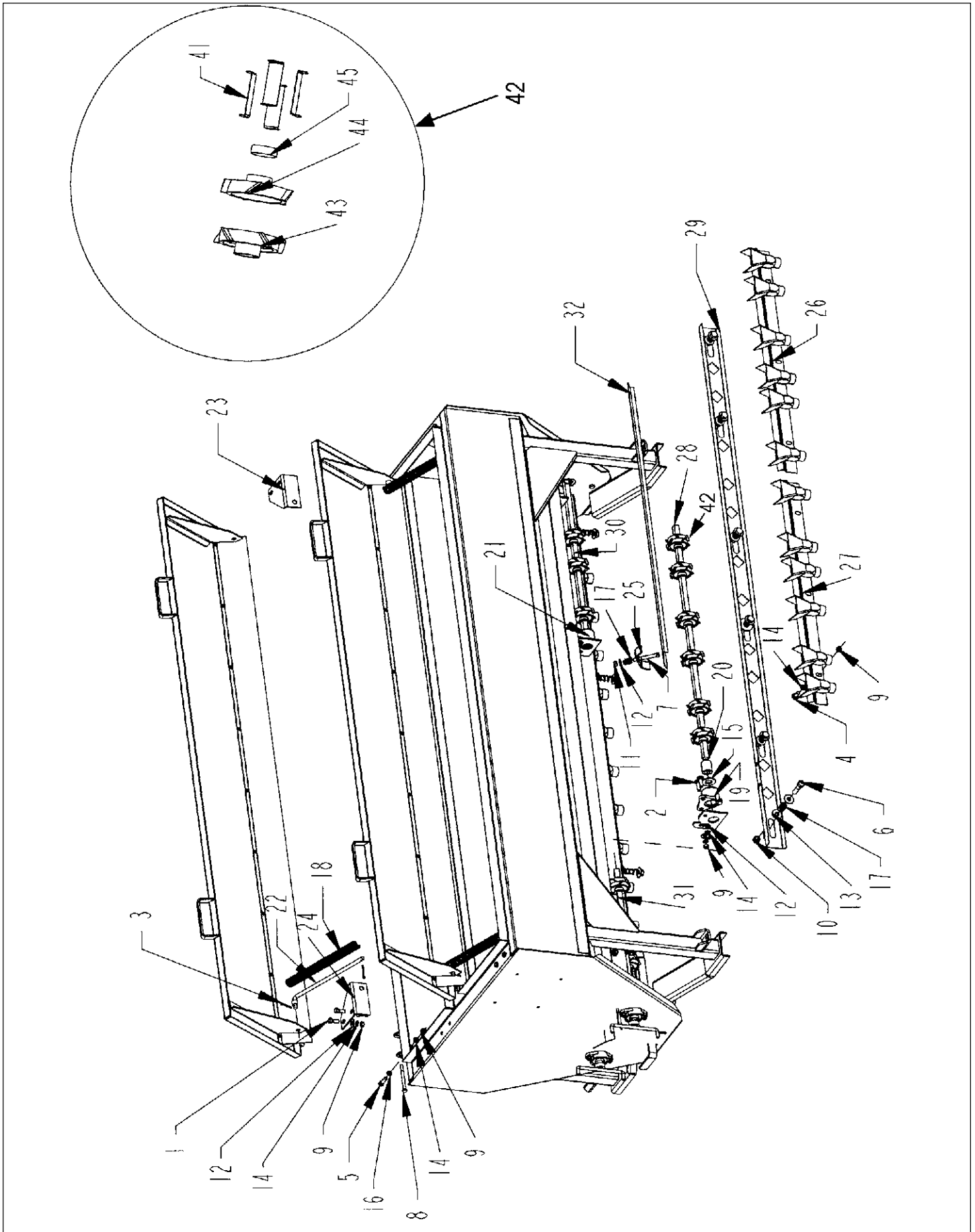
77 TANK ASSEMBLY (DETAIL B)



77 TANK ASSEMBLY (DETAIL B)

ITEM	PART NO.	QTY.	DESCRIPTION
1	3800082	6	FTG\LUB\1/4NFXZERK\ADAPT
2	4800003	15	BOLT\HEX\3/8X1
3	4800012	12	BOLT\CRG\3/8X1-1/4\NC
4	4800053	13	BOLT\CRG\3/8X1\NC
5	4800114	14	BOLT\HEX\1/2X2
6	4800164	20	BOLT\HEX\3/8X3/4
7	4900002	49	NUT\HEX\3/8\NC
8	4900014	13	NUT\TPLCK\1/2\NC
9	4900023	2	NUT\TPLCK\3/8\NC
10	5000001	61	WASH\FLAT\3/8
11	5000016	27	WASH\FLAT\7/16
12	5000019	69	WASH\LOCK\3/8
13	6100002	12	SPRING\COMP\072W\11/16OD\2-1/8LONG
14	7501058	4	SUP\SHIFT\ASSY\SLEEVE
15	8300236	8	WASH\BENT\1/2"
16	8400112	2	HDL\PL_CLEANOUT
17	8400243	1	SHLD\DR\AGTTR\SGL
18	8400658	1	WHL\FEED\33-1/16\FR\CTR
19	8400703	1	TANK\WLDMNT\77
20	8400704	2	PL\CLEANOUT\TANK
21	8400707	1	WHL\FEED\23-15/16\FR\RH
22	8400709	1	WHL\FEED\19\FR\LH
23	8400717	2	COVDIVIDER

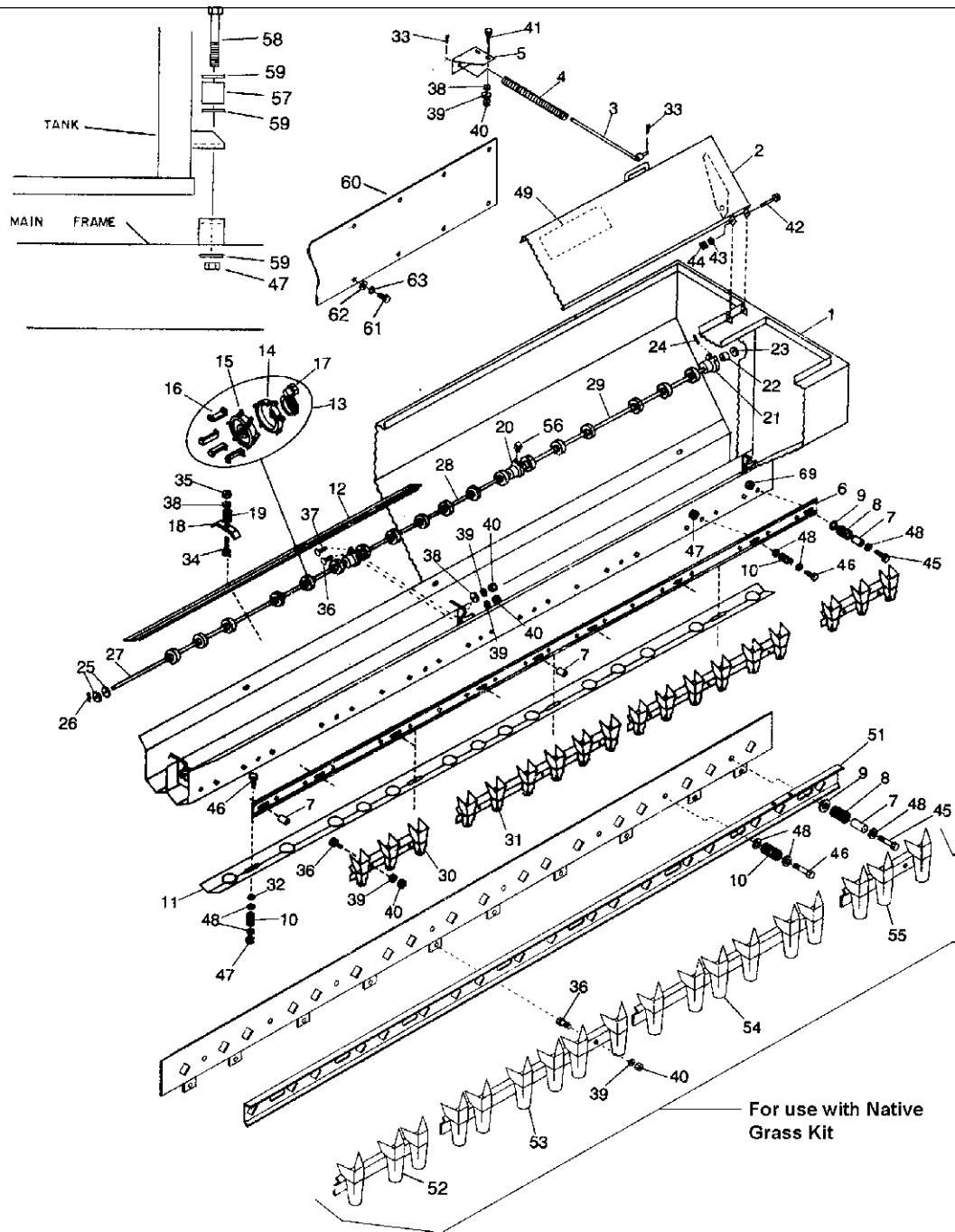
77 TANK ASSEMBLY - BACK



77 TANK ASSEMBLY - BACK

ITEM	PART NO.	QTY.	DESCRIPTION
9	4900002	49	NUT\HEX\3/8\NC
10	4900014	13	NUT\TPLCK\1/2\NC
11	4900030	6	NUT\NYLCK\3/8\NC
12	5000001	61	WASH\FLAT\3/8
13	5000016	27	WASH\FLAT\7/16
14	5000019	69	WASH\LOCK\3/8
15	5000036	4	WASH\1-3/4ODX.890ID
16	5000128	4	WASH\FLAT\3/8\RBBR\EPDM
17	6100002	12	SPRING\COMP\072W\11/16OD\2-1/8LONG
18	6100017	4	PRESSURE SPRING 12X1 1/8
19	7500108	4	HSG\CAST\BUSH\TANK\DRILL
20	7500562	4	SLV\SQ_HL\5/8X1-7/16W/5/16_THRU_HL
21	7501058	4	SUP\SHFT\ASSY\SLEEVE\107
22	8400003	4	ROD\COV\TANK\SPG
23	8400004	2	RTNR\TANK\COVER\SPG\LH
24	8400005	2	RTNR\TANK\COVER\SPG\RH
25	8400011	6	CLMP\WHL\COV\HOLD DOWN
26	8400279	1	CUP\SEED\CENTER\RH
27	8400280	1	CUP\SEED\CENTER\LH
28	8400659	1	WHL\FEED\33-1/16\REAR\CTR
29	8400706	1	PL\CNTRL\7"SPACING
30	8400711	1	WHL\FEED\23-15/16\REAR\RH
31	8400713	1	WHL\FEED\19\REAR\LH
32	8400719	4	COV\WHL\FEED\77
41	7500066	96	FEED WHEEL RETAINER CLIP
42	7500006	24	FEED WHEEL COMPLETE
43	7500007	24	FEED WHEEL LEFT HALF (MARK L)
44	7500068	24	FEED WHEEL RIGHT HALF (MARK R)
45	7500107	48	HOSE CLAMP

107 TANK ASSEMBLY

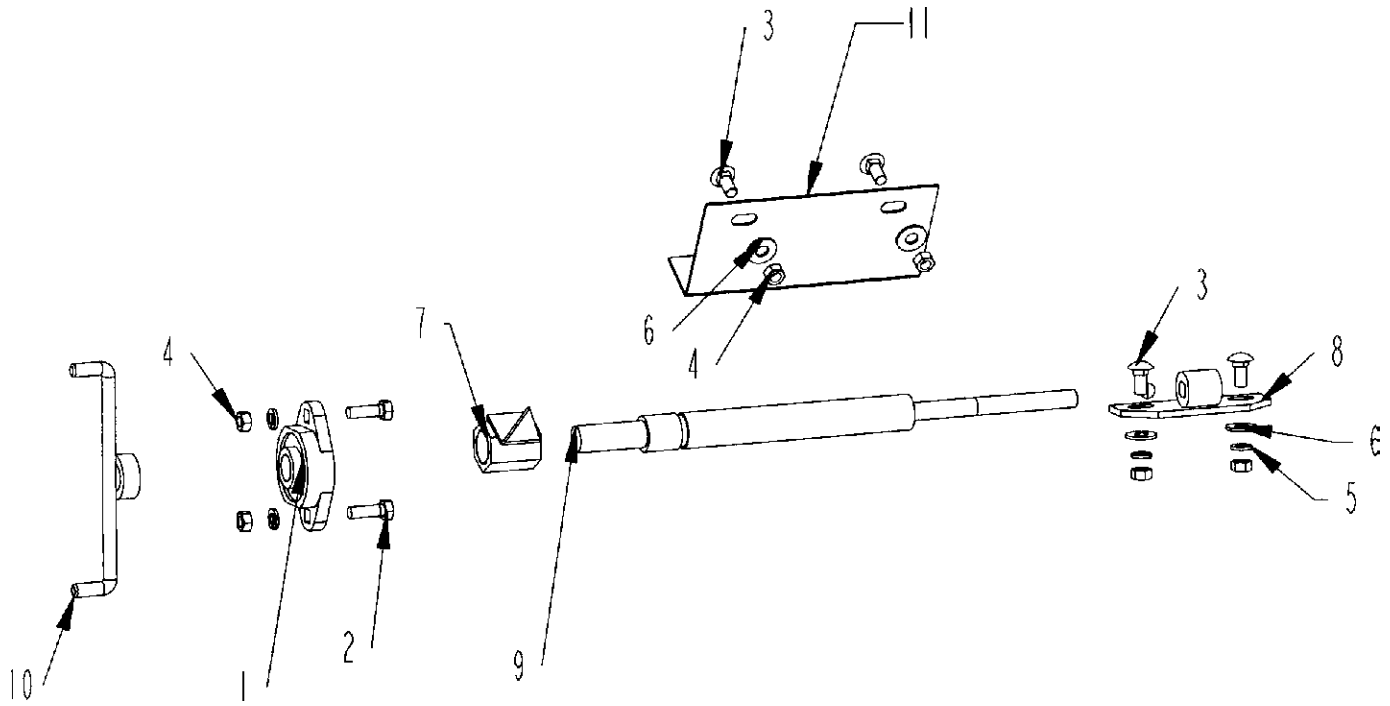


ITEM	PART NO.	QTY.	DESCRIPTION
1	8400244	1	Tank Weldment 106"
2	8400107	2	Tank Cover
3	8400003	4	Tank Cover Spring Rod
4	6100017	4	Tank Cover Spring
5	8400004	2	Tank Cover Spring Retainer L.H.
	8400005	2	Tank Cover Spring Retainer R.H.
6	8400114	1	Control Plate, 7" Spacing
7	8400007	6	Control Plate Guide
8	6100031	6	Control Plate Guide Spring
9	5000002	6	Guide Washer
10	6100002	20	Springs
11	8400110	2	Clean Out Plate
12	8400111	4	Feed Wheel Covers

107 TANK ASSEMBLY

ITEM	PART NO.	QTY.	DESCRIPTION
13	7500006	36	Feed Wheel Complete
14	7500007	36	Feed Wheel Left Half (Marked L)
15	7500008	36	Feed Wheel Right Half (Marked R)
16	7400066	144	Feed Wheel Retainer Clips
17	7500107	36	Hose Clamp
18	8400011	6	Feed Wheel Cover Hold Down
19	6100002	6	Wheel Cover Hold Down Spring
20	7500110	4	Cast Bracket w/Brg. Complete
21	7500108	4	Cast Bracket
22	7500109	4	Steel Brg. w/Hole
23	5000036	4	Retainer Washer
24	4800169	2	1/4" x 1-1/8" Rolled Pin
25	5000027	4	Washer, 1-3/8" O.D. x 7/8" I.D.
26	4800050	2	3/16" x 1-1/2" Cotter Key
27	8400426	2	Shaft Right Side, 38-7/16"
28	8400423	2	Shaft Center, 33-1/16"
29	8400425	2	Shaft Left Side. 34-1/2"
30	8700016	4	Seed Cup End Section
31	8700015	4	Seed Cup Center Section
32	8300236	8	1/2" Flat Washer w/40° Brk.
33	4800044	8	5/32" x 1-1/2" Cotter Key
34	4800156	6	3/8" x 3" Hex Bolt
35	4900030	6	3/8" Plastic Insert Lock Nut
36	4800053	26	3/8" x 1" Carriage Bolt
37	4800012	6	3/8" x 1-1/4" Carriage Bolt
38	5000001	20	3/8" Flat Washer
39	5000019	40	3/8" Lock Washer
40	4900002	40	3/8" Hex Nut
41	4800003	8	3/8" x 1" Hex Bolt
42	4800170	6	5/16" x 3-1/2" Bolt
43	5000022	6	5/16" Lock Washer
44	4900003	6	5/16" Hex Nut
45	4800396	6	7/16" x 2" Bolt
46	4800114	19	1/2" x 2" Bolt
47	4900014	19	1/2" Top Lock Nut
48	5000016	25	7/16" Flat Washer
49	6500022	1	Calibration Decal, 7" Spacing
50	8400112	2	Clean Out Handle
51	8400245	1	Control Plate 7" Spacing (Grass)
52	8400248	1	Seed Cup Left End Section (Grass)
53	8400249	1	Seed Cup Left Center Section (Grass)
54	8400250	1	Seed Cup Right Center Section (Grass)
55	8400251	1	Seed Cup Right End Section (Grass)
56	3800082	6	1/4" Tapered St. Zerk
57	7500134	4	Grommet
58	4800068	4	1/2" x 3" Bolt
59	5000004	12	1/2" Flat Washer
60	8400318	2	Divider Cover
61	4800164	28	3/8" x 3/4" Bolt
62	5000001	28	3/8" Flat Washer
63	5000019	28	3/8" Lock Washer
64	8400467	2	Wind Guard (Not Shown)
65	8400462	1	Seed Cup Left End Section (Rear) Not Shown
66	8400280	1	Seed Cup Left Center Section (Rear) Not Shown
67	8400463	1	Seed Cup Right End Section (Rear) Not Shown
68	8400279	1	Seed Cup Right Center Section (Rear) Not Shown
69	4900035	6	7/16" Toplock Nut

SEED & FERTILIZER SETTING ASSEMBLY



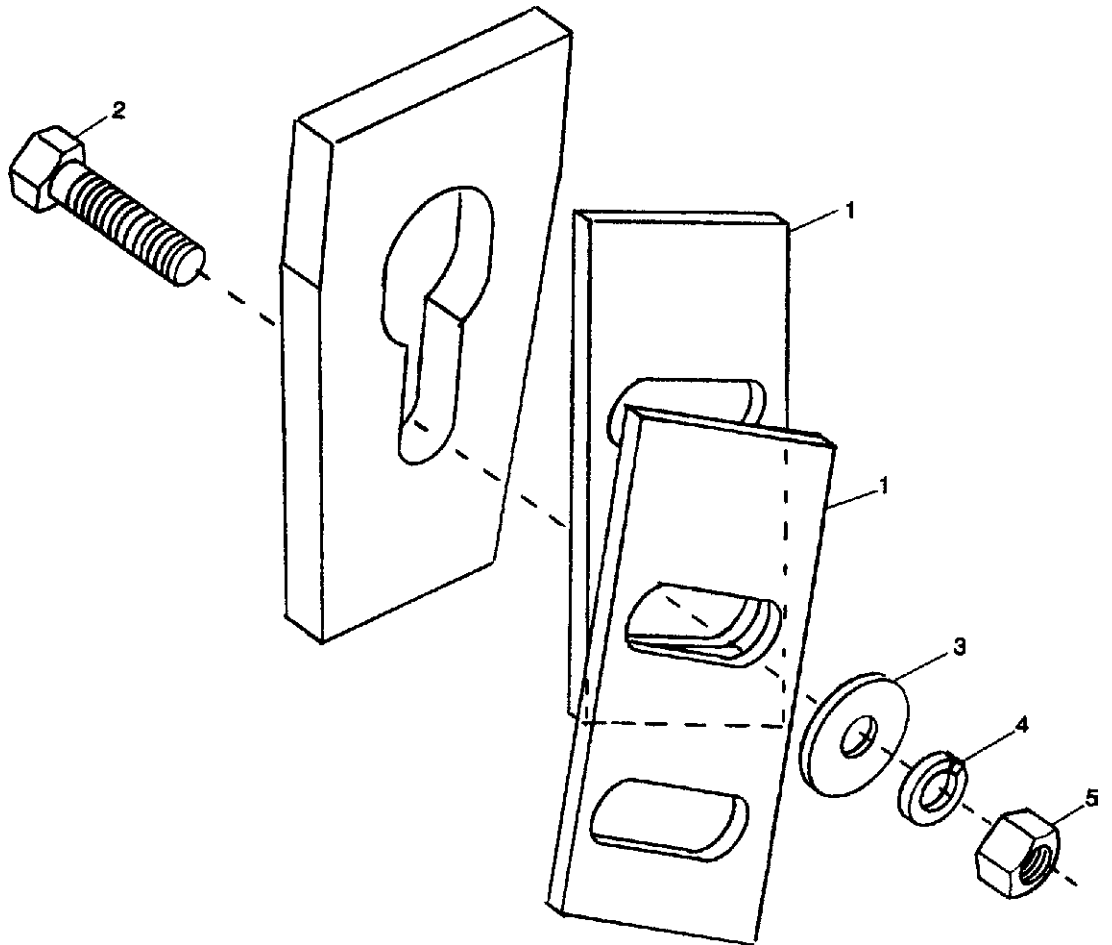
ITEM	PART NO.	QTY.	DESCRIPTION
1	2000313	1	BRG\FLG\CAST\3/4\2BOLT
2	2000811	1	CLLR\LOCK\3/4
3	4800013	2	BOLT\HEX\5/16X1
4	4800153	4	BOLT\CRG\5/16X3/4\NC
5	4900003	6	NUT\HEX\5/16\NC
6	5000022	4	WASH\LOCK\5/16
7	5000023	4	WASH\FLAT\5/16
8	7500071	1	CALIBRATION POINTER NUT
9	7500072	1	CALIBRATION CONTRL PL NUT
10	7500073	1	CALIBRATION SHAFT #6620
11	8400060	1	HDL\CAL

NOT SHOWN

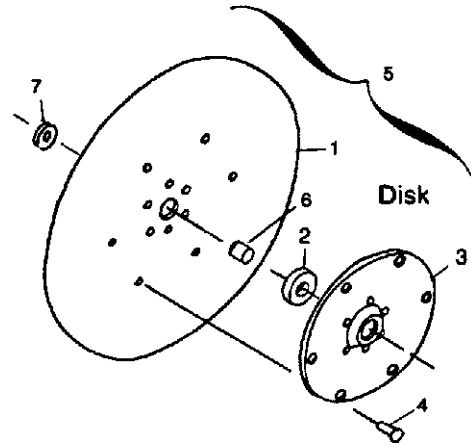
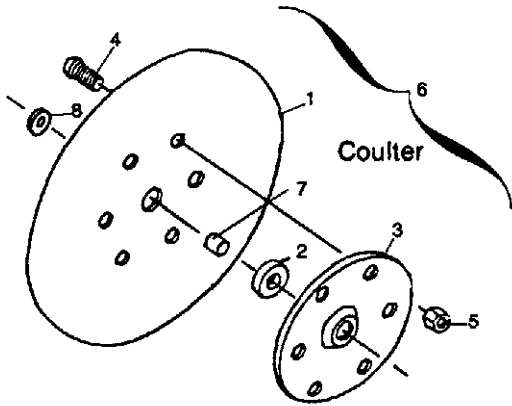
6500016	DECAL\INFO\CAL;SCALE;GRAIN
6500017	DECAL\INFO\CAL.SCALE;FERT
6500081	DECAL\INFO\CAL.SCALE;GRASS

SCRAPER ASSEMBLY

ITEM	PART NO.	QTY.	DESCRIPTION
	840091		Scraper Assembly - Complete
1	8400670	2	Scraper\Disc
2	4800071	1	5/16" x 1-1/4" Bolt
3	5000023	1	5/16" Flat Washer
4	5000022	1	5/16" Lock Washer
5	4900003	1	5/16" Hex Nut

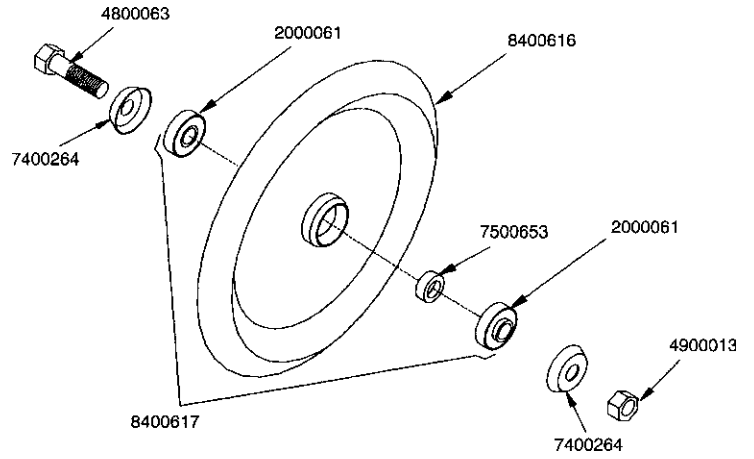


COULTER & DISK ASSEMBLY



ITEM	PART NO.	QTY.	DESCRIPTION	ITEM	PART NO.	QTY.	DESCRIPTION
1	7500064	1	Coulter, 14" - 6 Hole	1	7500010	1	Disk, 14"
2	2000031	1	Brg.	2	2000031	1	Brg.
3	7500165	1	Cage	3	7500167	1	Cage
4	4800161	6	1/2" - 13 x 1" Button Hd. Socket Screw	4	4800039	12	Rivets, 1/4" x 1/2"
5	4900014	6	Lock Nut, 1/2"	5	7500188	1	Disk (Complete)
6	7500187	1	Coulter (Complete)	6	7500160	1	Sleeve
7	7500160	1	Sleeve	7	5000009	2	Shim Washers
8	5000009	2	Shim Washer				

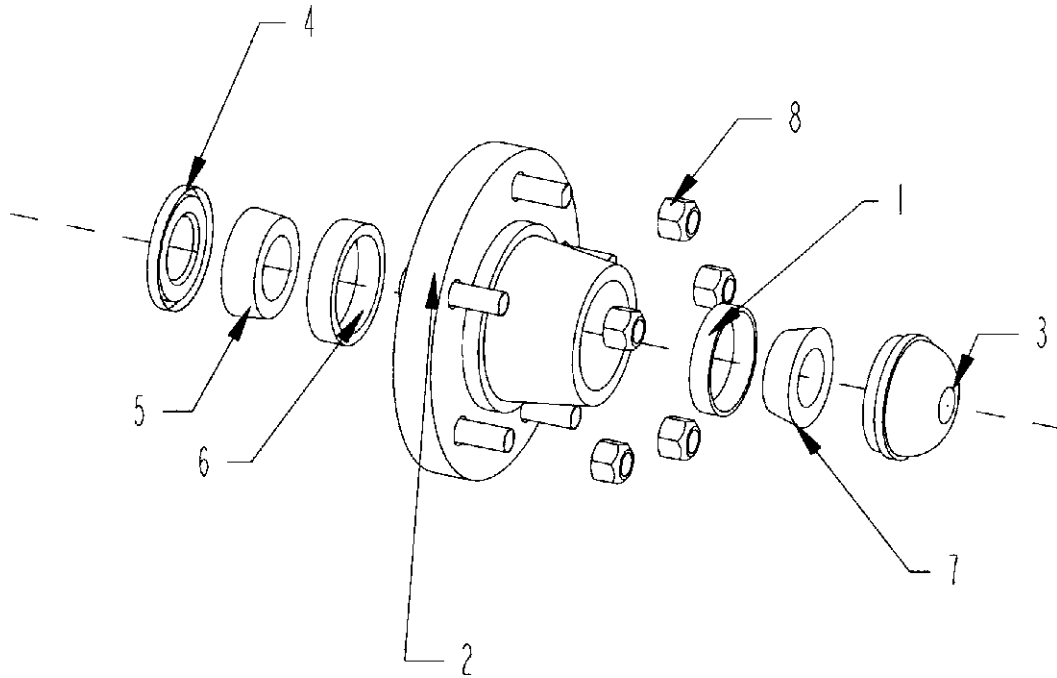
PRESS WHEEL ASSEMBLY



**TO RETROFIT DRILL WITH SERIAL NO. 1550 & UP
ORDER PART 8400617 & 4800063**

PART NO.	QTY.	DESCRIPTION
8400617		Press Wheel Assembly
2000061	2	Brg/3/4/FHR204-12
7500653	1	Spcr/Wheel/Packer/107
8400616	1	Whl/Stl; Packer/107
7400264	2	Packer Wheel Cap - No Pilot
4800063	1	Bolt\Hex\3/4 x 4
4900139	1	Nut\Toplock\3/4

HUB ASSEMBLY

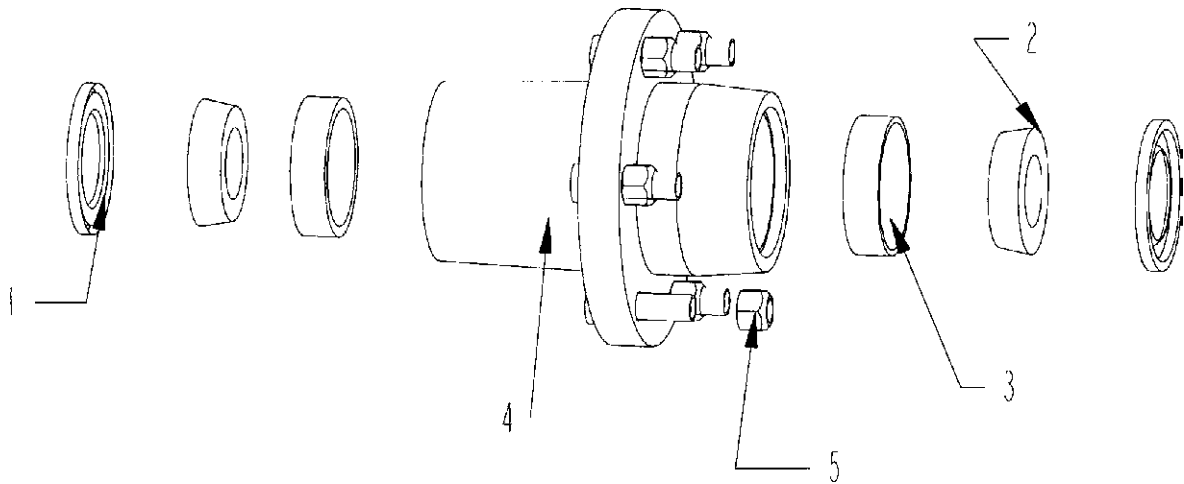


HUB ASSEMBLY

ITEM	PART NO.	QTY.	DESCRIPTION
1	2900004	1	CUP\INNER\WHEEL HUB
2	2900011	1	HUB\WITH CONES\W/NUTS
3	2900013	1	CAP\DUST\WHL;HUB(DC-13)
4	2900014	1	SEAL\GREASE(517) (15190)
5	2900015	1	CONE\INNER\WHL HUB(48548)
6	2900016	1	CUP\INNER\WHL:HUB(48510)
7	2900018	1	CONE\OUTER\WHL;HUB(67048)
8	4900094	5	NUT\TAPER\WHEEL\1/2\NF\

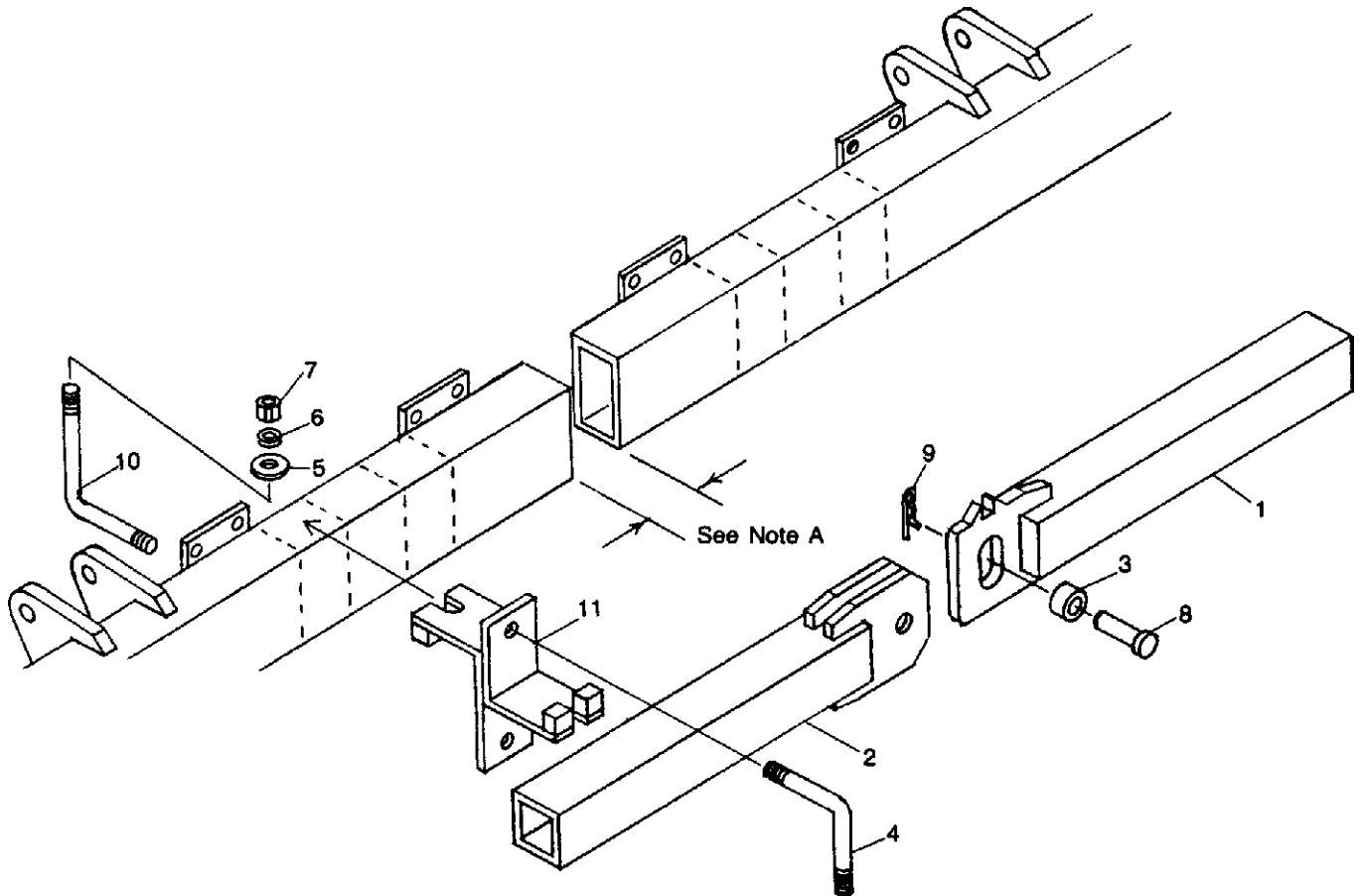
HUB FORK ASSEMBLY

ITEM	PART NO.	QTY.	DESCRIPTION
1	2900085	2	SEAL\WHL;HUB(20078)
2	2900086	2	CONE\2788\WHL;HUB
3	2900087	2	CUP\BRG\HUB\WHL\2720
4	2900089	1	HUB\H-628(FORK)\COMPLETE
5	4900094	6	NUT\TAPER\WHEEL\1/2\NF\



FRONT STABILIZER OPTION (107 ONLY)

NOTE: For drill with disc type banding openers, mount stabilizer in front of banding tool bar. See illustration.

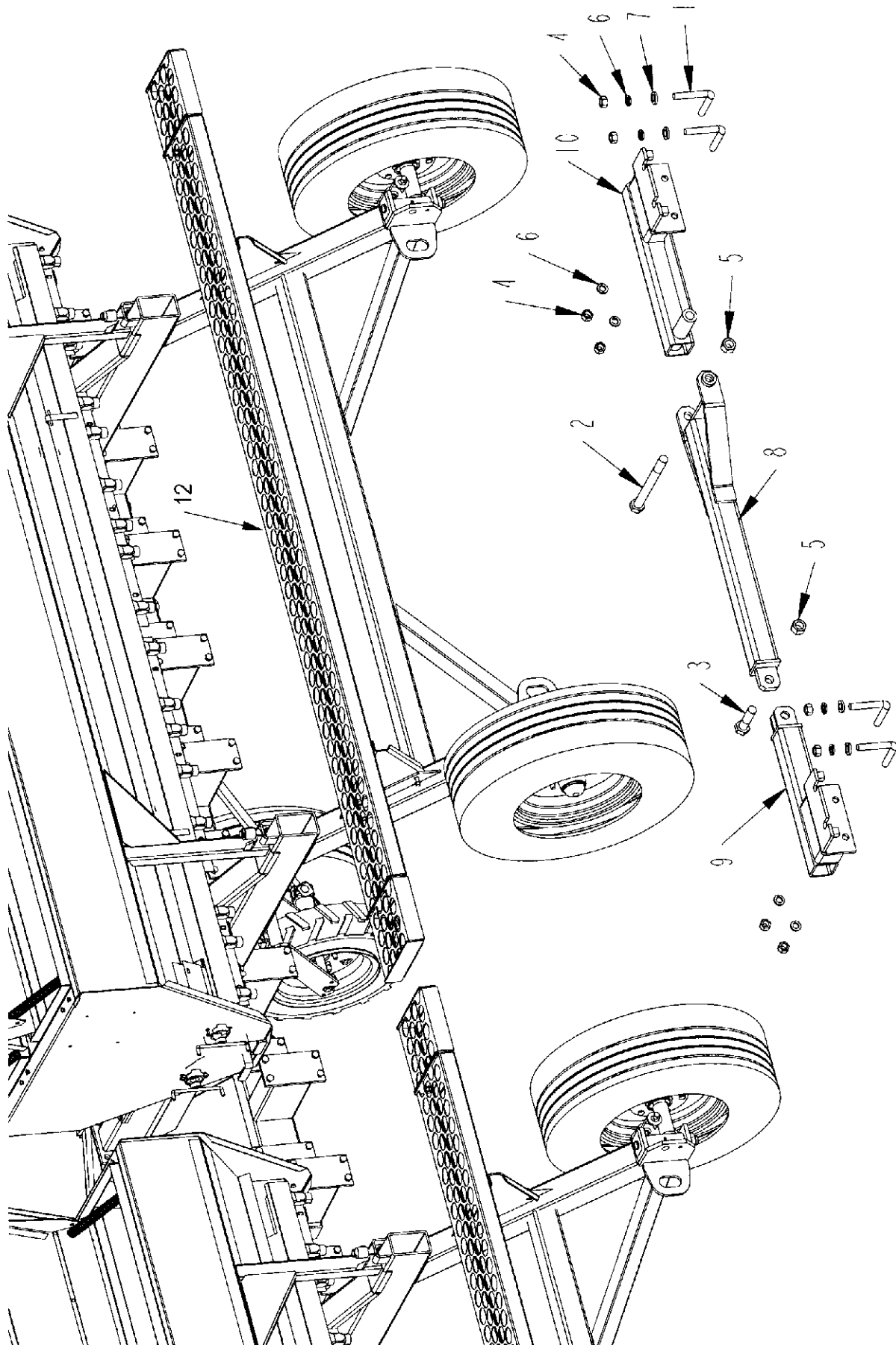


NOTE: A

Space tool bars 3" apart for 7" spacing.
 Space tool bars 10" apart for paired row 6-14 spacing.
 Mount double clamps as far apart as possible.
 Space tool bars 6" apart for 10" spacing.

ITEM	PART NO.	QTY.	DESCRIPTION
1	8400183	1	Male Stabilizer
2	8400184	1	Female Stabilizer
3	8400185	1	1-1/2" O.D. x 1" I.D. Bushing
4	4800183	4	3/4" L-Bolt 5-1/4" O.D. x 5-1/4" O.D.
5	5000005	8	3/4" Flat Washer
6	5000012	16	3/4" Lock Washer
7	4900004	16	3/4" Hex Nut
8	4800185	1	1" x 3" Clevis Pin
9	4800157	1	3/16" x 2" Cotter Key
10	4800199	4	3/4" L-Bolt 5-1/4" O.D. x 7-1/4" O.D.
11	8400186	4	Double Clamp

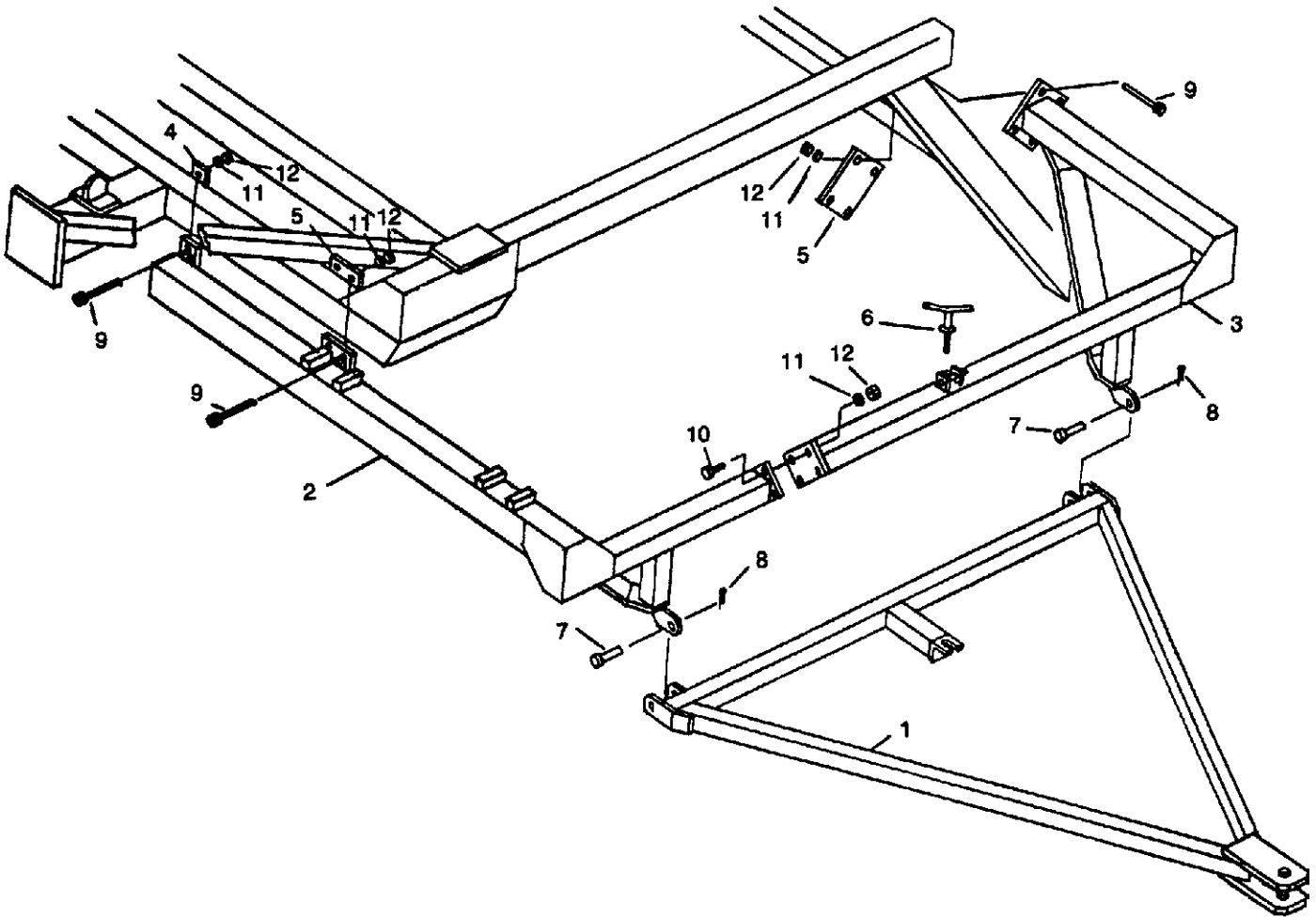
REAR STABILIZER OPTION (107 ONLY)



REAR STABILIZER OPTION (107 ONLY)

ITEM	PART NO.	QTY.	DESCRIPTION
1	4800183	4	BOLT\L\3/4\5-1/4X5-1/4
2	4800626	1	BOLT\HEX\1X11\NC
3	4800647	1	BOLT\HEX\1X4\NC
4	4900004	8	NUT\HEX\3/4\NC
5	4900015	2	NUT\NYLCK\1\NC
6	5000012	8	WASH\LOCK\3/4
7	5000115	4	WASH\FLAT\3/4\EXTRTHK\GR8
8	8400201	1	BAR\STBLZR\CTR\REAR
9	8400202	1	MNT\STBLZR\RH\REAR
10	8400203	1	MNT\STBLZR\LH\REAR
11	8400378	1	Rear Stabilizer Kit 2 Drill
12	8400040		WALKWAY\100_SERIES

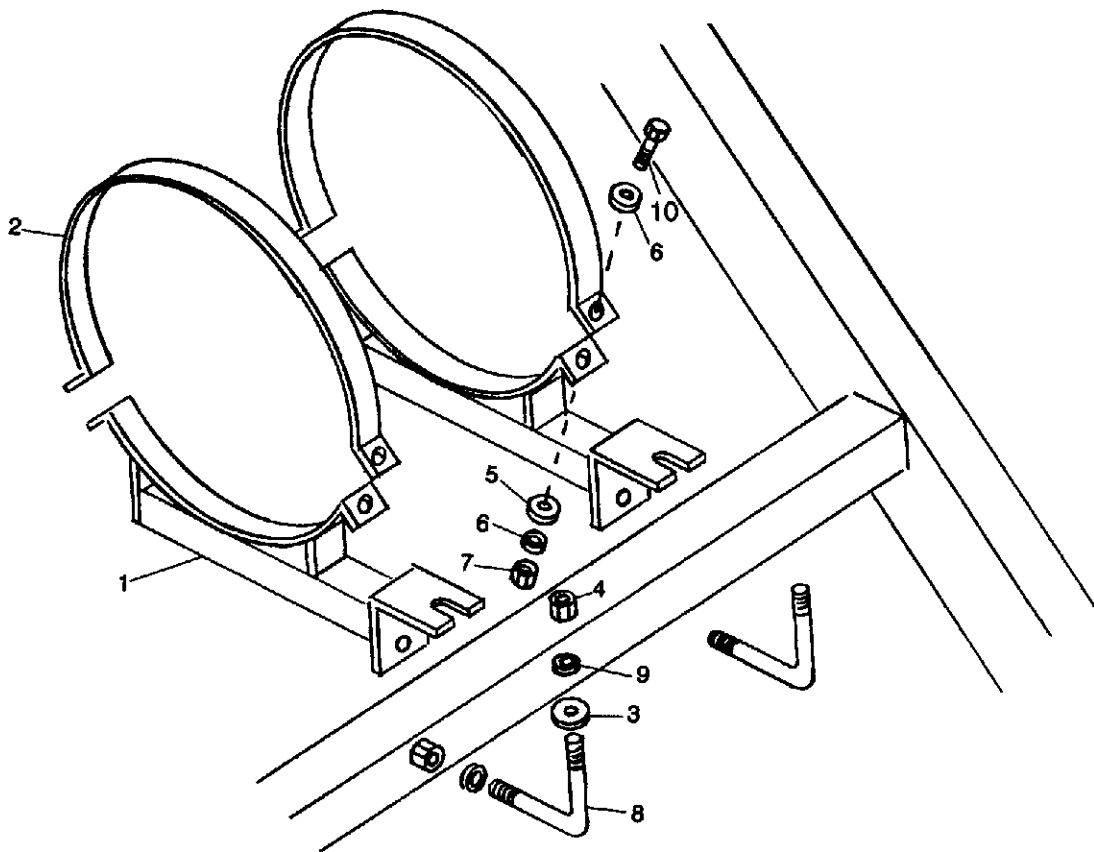
TOW HITCH (107 ONLY)



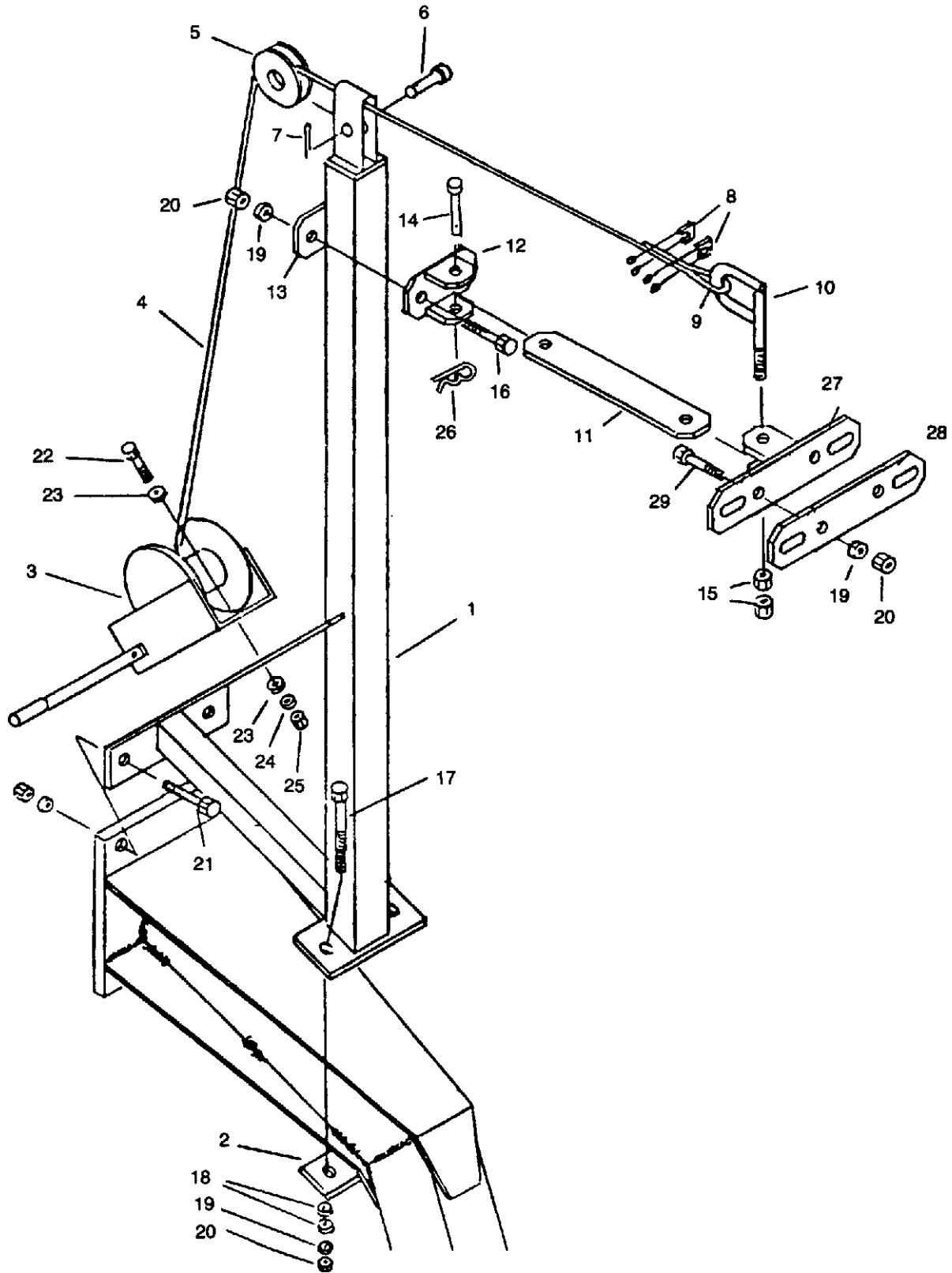
ITEM	PART NO.	QTY.	DESCRIPTION
1	8400226	1	End Tow Hitch
2	8400227	1	Front Mount
3	8400228	1	Rear Mount
4	8400229	1	Front Mount Strap
5	8400230	2	Mount Straps
6	8400231	1	Hold Up Handle for End Tow Hitch
7	4800046	2	3/4" x 3" Pin
8	4800050	2	3/16" x 1-1/2" Cotter Pin
9	4800041	10	1/2" x 5" Bolt
10	4800082	4	1/2" x 1-1/2" Bolt
11	5000006	14	1/2" Lock Washer
12	4900001	14	1/2" Hex Nut

BALLAST BRACKET (77 & 107)

ITEM	PART NO.	QTY.	DESCRIPTION
1	8400211	4	Saddle
2	8400178	4	TLE Strap
3	5000005	8	3/4" Flat Washer
4	4900004	8	3/4" Hex Nut
5	5000001	8	3/8" Flat Washer
6	5000019	8	3/8" Lock Washer
7	4900002	8	3/8" Hex Nut
8	4800183	4	3/4" L-Bolt
9	5000012	8	3/4" Lock Washer
10	4800146	8	3/8" x 2" Bolt
	8400474		Kit - 2 Barrel Mount Bracket



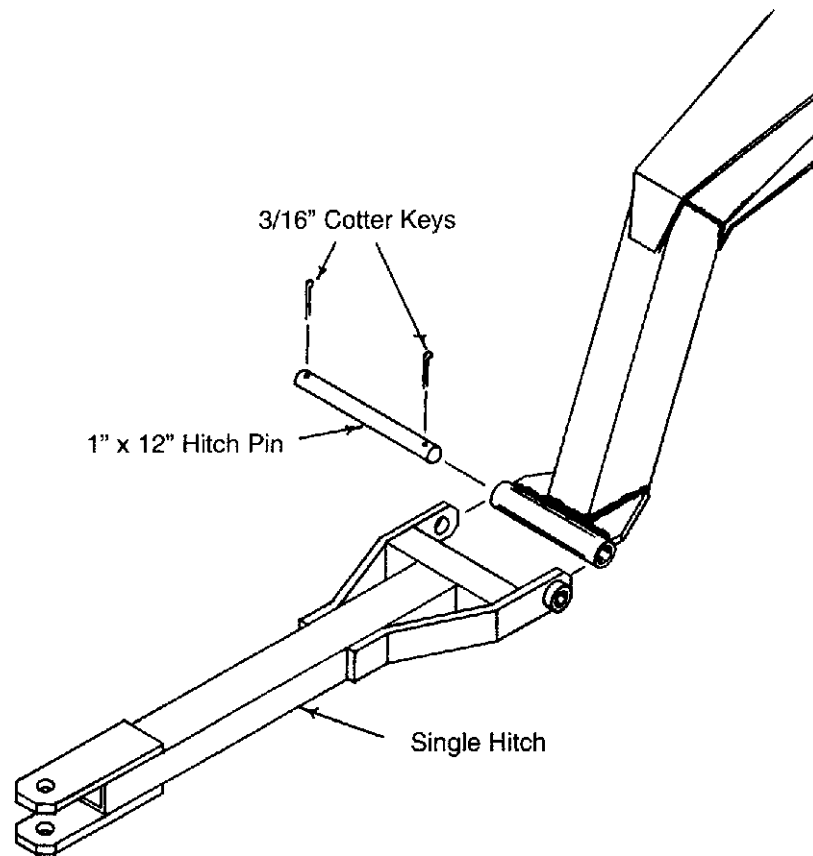
HITCH LIFT (107 ONLY)



HITCH LIFT (107 ONLY)

ITEM	PART NO.	QTY.	DESCRIPTION
	8400589		Hitch Lift Kit (only for 3 or more drill hitch set-up)
1	8300293	1	Lift Frame
2	8300294	1	Lift Mount Strap 2" x 6"
3	5800004	1	Winch
4	5800311	1	1/4" Cable 12' Long
5	1400082	1	Cable Sheaves
6	4800030	1	5/8" x 2" Clevis Pin
7	4800123	1	1/8" x 1 -1/2" Cotter Pin
8	4800027	2	1/4" Cable Clamp
9	7500121		1/4" Cable Thimble
10	8300356	1	I Bolt
11	8300295	1	Hold Up Bar 2" x 11-1/2"
12	8300296	1	Hold Up Bar Mount 4-1/2" Long
13	8300297	1	Hold Up Bar Strap 4-1/2" Long x 2"
14	4800119	1	5/8" x 3-1/2" Clevis Pin
15	4900005	4	5/8" Nuts
16	4800188	2	1/2" x 4" Bolt
17	4800235	2	1/2" x 6-1/2" Bolt
18	5000004	4	1/2" Flat Washer
19	5000006	6	1/2" Lock Washer
20	4900001	6	1/2" Hex Nut
21	4800017	2	3/4" x 3" Bolt
22	4800098	3	3/8" x 1-1/4" Bolt
23	5000001	6	3/8" Flat Washer
24	5000019	3	3/8" Lock Washer
25	4900002	3	3/8" Hex Nut
26	4800107	1	1-1/8" Hair Pin
27	8300298	1	Hold Up Bar Mount
28	8300299	1	Hold Up Bar Strap
29	4800188	2	1/2" x 4" Hex Bolt
	4800141	2	1/2" x 4-1/2" Hex Bolt

DRILL SINGLE HITCH (77 & 107)



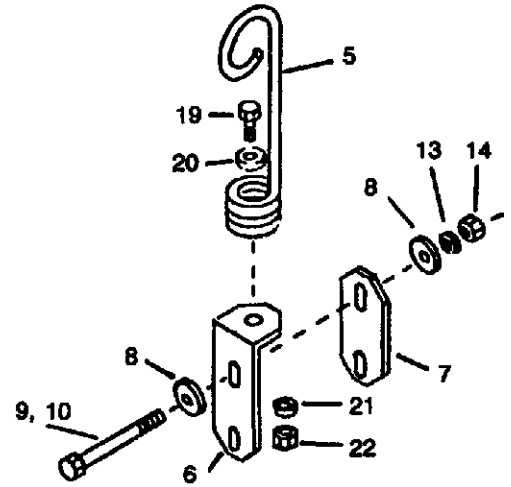
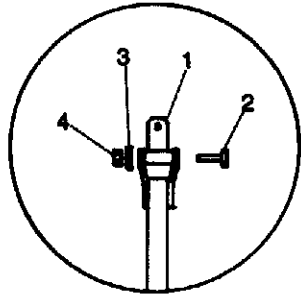
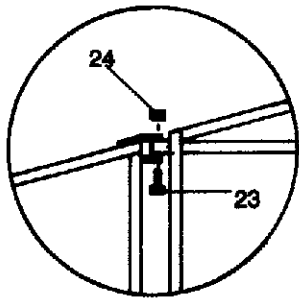
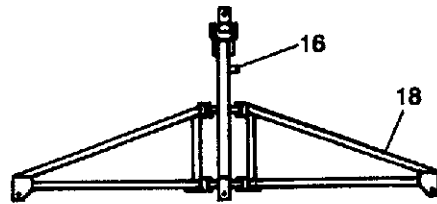
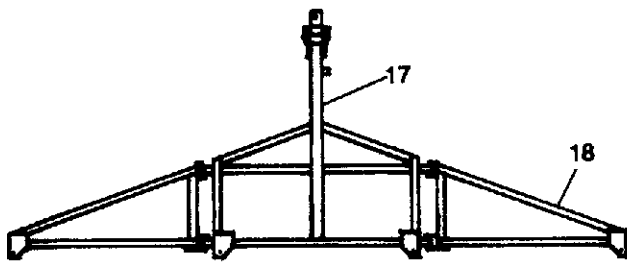
DRILL SINGLE HITCH (77 & 107)

ITEM	PART NO.	QTY.	DESCRIPTION
1	8400664	1	Hitch\SINGLE\107& 8000
2	8400569	1	1" x 12" Hitch Pin
2A	4800626	1	BOLT\HEX\1X11\NC\GR5
3	4800157	2	3/16" x 2" Cotter Key
3A	4900015	1	NUT\NYLCK\1\NC
NOT SHOWN			
	8400650		2 WAY SWIVEL HITCH
	8400579		STEEP TERRAIN HITCH
	8400307		SINGLE DRILL HITCH KIT
	1100221		CHAIN\3/8\GR43\5FT\W/HOOKS

2 DRILL HITCH (107 ONLY)

ITEM	PART NO.	QTY.	DESCRIPTION
1	4800010	1	BOLT\HEX\5\8X2
2	4800085	8	BOLT\HEX\1\2X1
3	4800125	10	BOLT\HEX\3\8X1-3\4
4	4800226	2	BOLT\HEX\3\8X5-1\2
5	4800546	2	BOLT\HEX\1X5\NC
6	4800626	2	BOLT\HEX\1X11\NC
7	4900001	8	NUT\HEX\1\2\NC
8	4900002	12	NUT\HEX\3\8\NC
9	4900005	1	NUT\HEX\5\8\NC
10	4900015	5	NUT\NYLCK\1\NC
11	5000001	4	WASH\FLAT\3\8
12	5000002	1	WASH\FLAT\5\8
13	5000003	1	WASH\LOCK\5\8
14	5000006	8	WASH\LOCK\1\2
15	5000019	12	WASH\LOCK\3\8
16	7500170	1	HOSE MINDER
17	8300326	10	MNDR\HOSE
18	8300341	1	WASH\2X1.028X3\8
19	8300498	1	PIN\HITCH
20	8400034	2	HITCH\BLK
21	8400193	1	HITCH\2\DRILL\107
22	8400196	1	BLK\HITCH
	OR		
	8400667	1	BLK\HITCH\CLEVIS
23	8400666	4	STEP\XTNSN\WLKWY
24	8800095	1	MNT\MINDER\HOSE\DRILL
25	8800096	1	STRAP\MINDER\HOSE\DRILL
	8400394	1	2 DRILL HITCH KIT (INCLUDES REAR STABILIZER KIT)

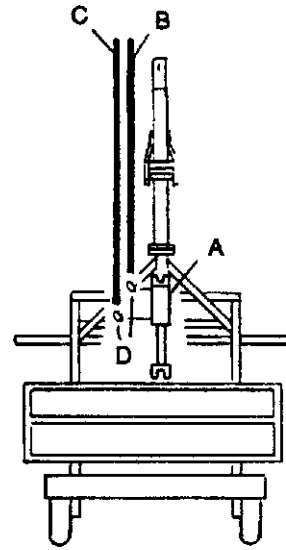
3-4 DRILL HITCH (107 ONLY)



ITEM	PART NO.	QTY.	DESCRIPTION
1	8400196	1	Hitch Block
2	8300498	1	Hitch Block Pin
3	8300341	1	2" O.D. x 1.028 I.D. 3/8" Thick Washer
4	4900015	1	1" Nylon Insert Nut
5	7500170	2	Hose Minder
6	8800095	2	Hose Minder Mount
7	8800096	2	Hose Minder Strap
8	5000001	4	3/8" Flat Washer
9	4800226	2	3/8" x 5-1/2" Bolt
10	4800089	2	3/8" x 4" Bolt
11	8300329	4	Hose Clamp
12	4800142	4	3/8" x 1-3/4" Bolt
13	5000019	8	3/8" Lock Washer
14	4900002	8	3/8" Nut
15	5800601	1	Jack 2 SM-10
16	8400194	1	3" Drill Center Pole
17	8400197	1	4" Drill Center Pole
18	8400195	2	Small Wings
19	4800010	2	5/8" x 2" Bolt
20	5000002	2	5/8" Flat Washer
21	5000003	2	5/8" Lock Washer
22	4900005	2	5/8" Nut
23	4800187	4	1" x 6" Bolt
24	4900015	4	1" Nylon Insert Nut
25	8300497	1 Per Drill	1" x 6" Hitch Pin
26	4800103	1 Per Drill	1/4" x 2" Cotter Pin

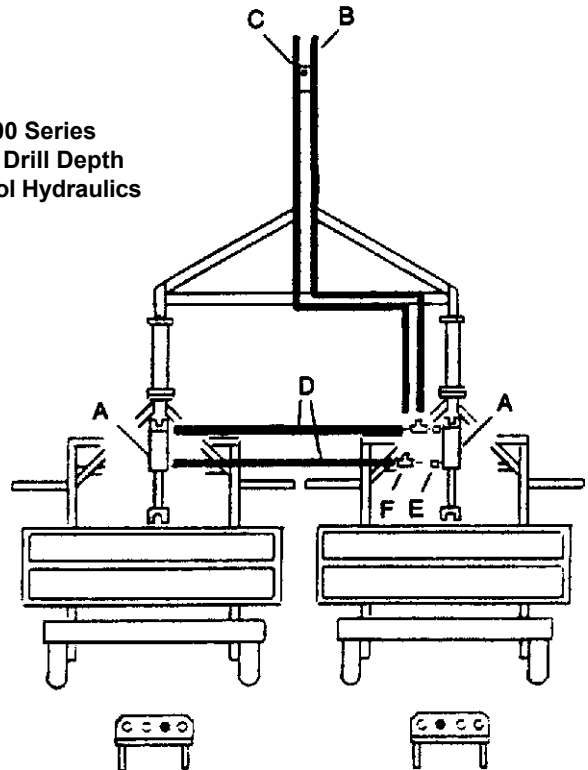
SINGLE DRILL & 2 DRILL HYDRAULICS

100 Series
Single Drill Depth
Control Hydraulics



ITEM	PART NO.	QTY.	DESCRIPTION
A	4100039	1	3" x 8" Cylinder
B	3700023	1	96" - 1/2" Hose
C	3700153	1	108" - 1/2" Hose
D	3800008	2	90° St. Elbow
NOT SHOWN			
	4100045		3x8 Seal Kit - Hyd Cyl.

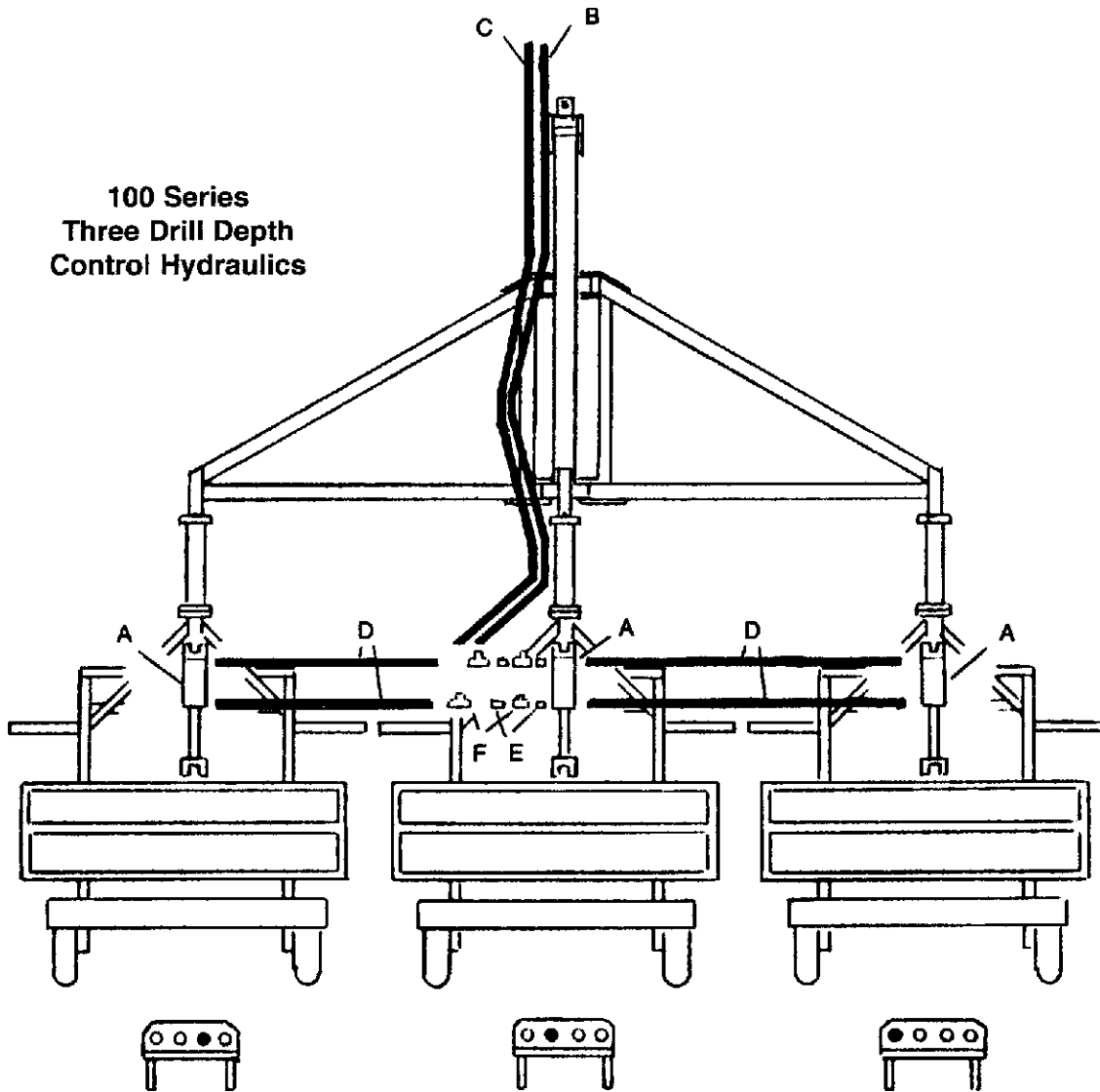
100 Series
Two Drill Depth
Control Hydraulics



ITEM	PART NO.	QTY.	DESCRIPTION
A	4100039	2	3" x 8" Cylinder
B	3700119	1	216" - 1/2" Hose
C	3700120	1	240" - 1/2" Hose
D	3700061	2	132" - 1/2" Hose
E	3800086	2	1/2" x 1-1/2" Nipple
F	3800009	2	1/2" Tee
NOT SHOWN			
	4100045		3x8 Seal Kit - Hyd Cyl.

3 DRILL HYDRAULICS (107 ONLY)

100 Series
Three Drill Depth
Control Hydraulics



ITEM	PART NO.	QTY.	DESCRIPTION
A	4100039	3	3" x 8" Cylinder
B	3700118	1	192" - 1/2" Hose
C	3700119	1	216" - 1/2" Hose
D	3700061	4	132" - 1/2" Hose SW-SO
E	3800086	4	1/2" x 1-1/2" Nipple
F	3800009	4	1/2" Tee

NOT SHOWN

4100045 3x8 Seal Kit - Hyd Cyl.

4 DRILL HYDRAULICS (107 ONLY)

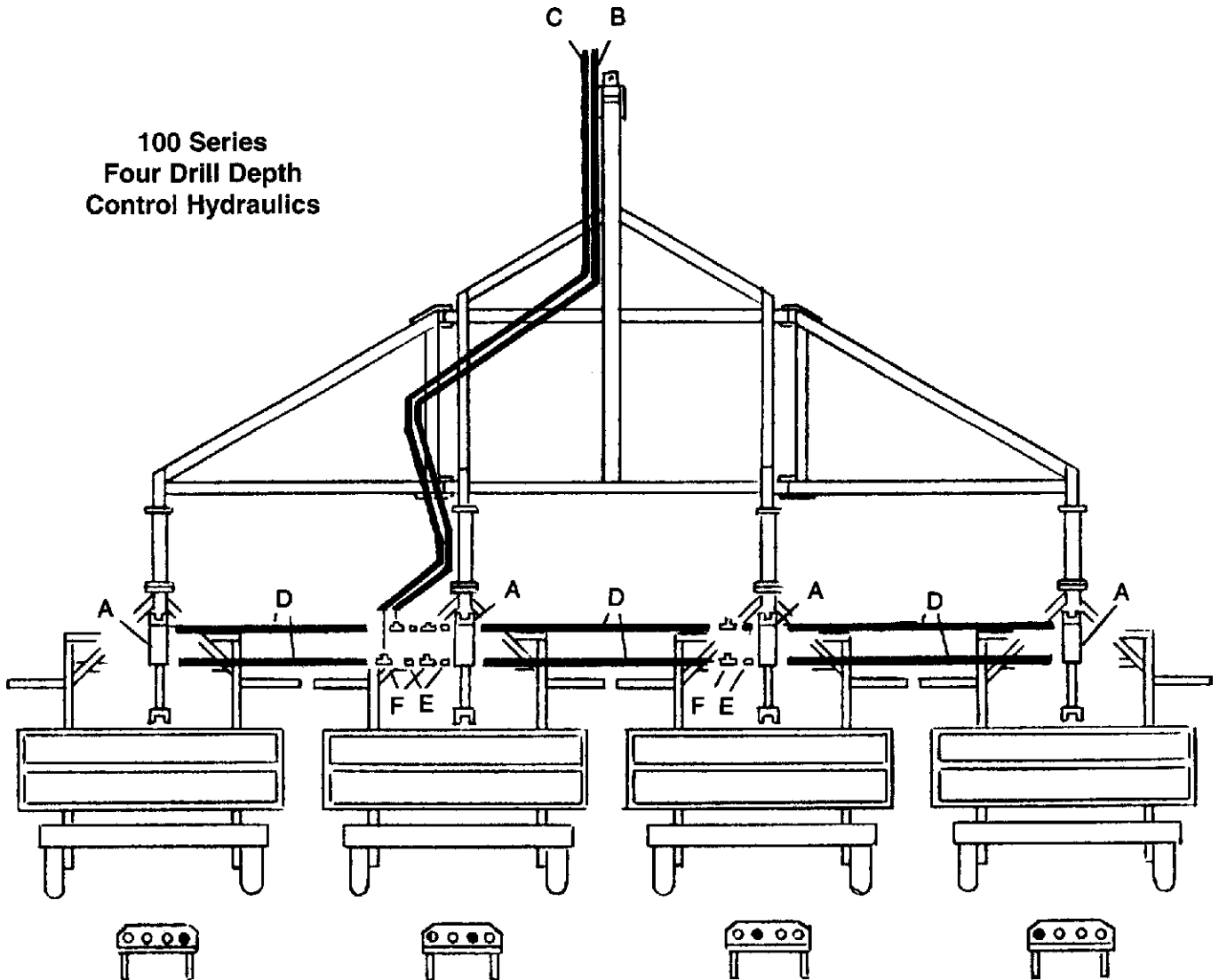
ITEM	PART NO.	QTY.	DESCRIPTION
A	4100039	4	3" x 8" Cylinder
B	3700095	1	252" - 1/2" Hose SW-SO
C	3700101	1	276" - 1/2" Hose SW-SO
D	3700061	6	132" - 1/2" Hose SW-SO
E	3800086	6	1/2" x 1-1/2" Nipple
F	3800009	6	1/2" Tee

NOT SHOWN

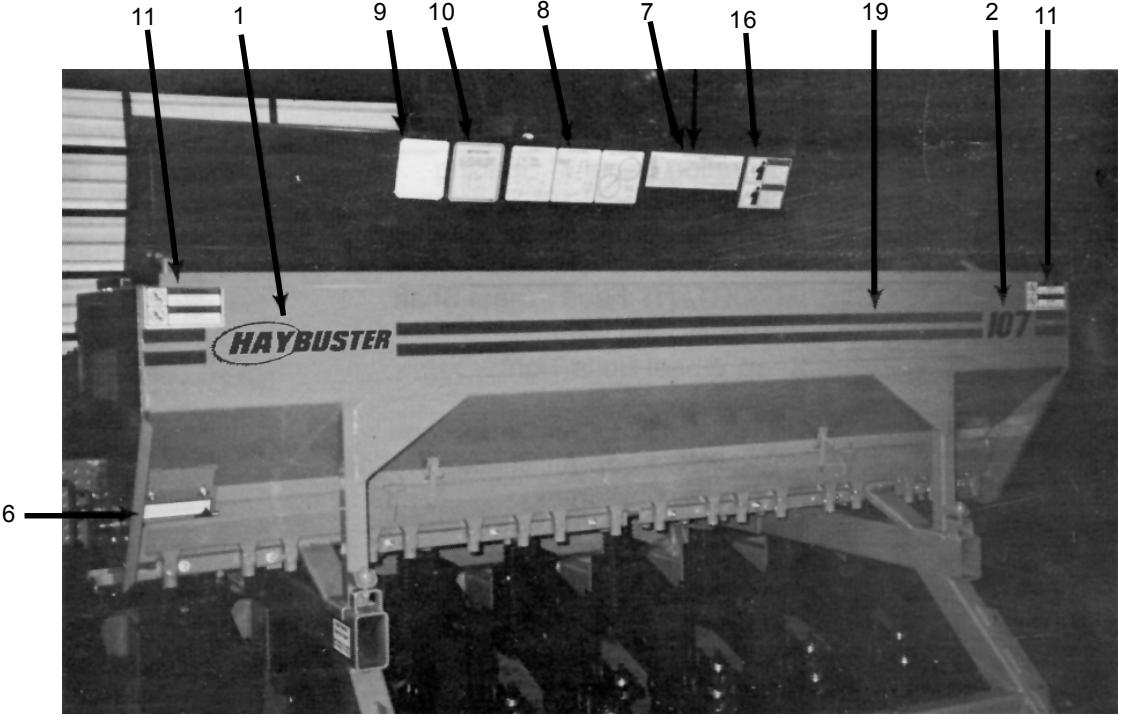
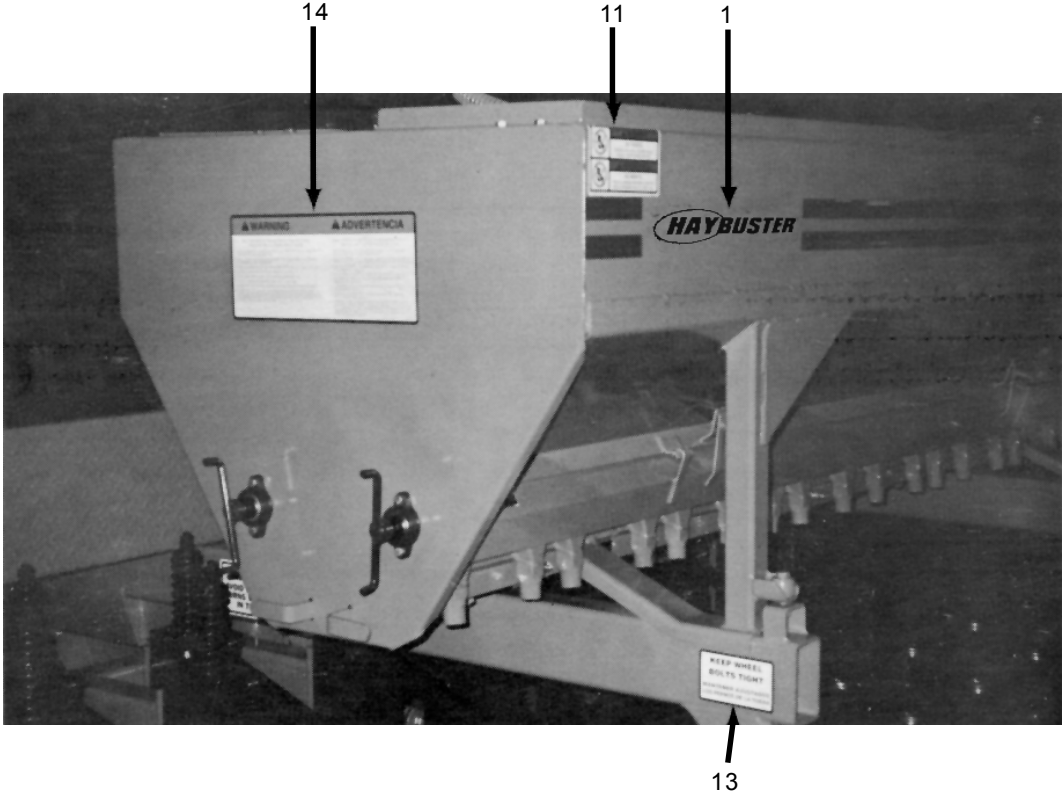
4100045

3x8 Seal Kit - Hyd Cyl.

**100 Series
Four Drill Depth
Control Hydraulics**

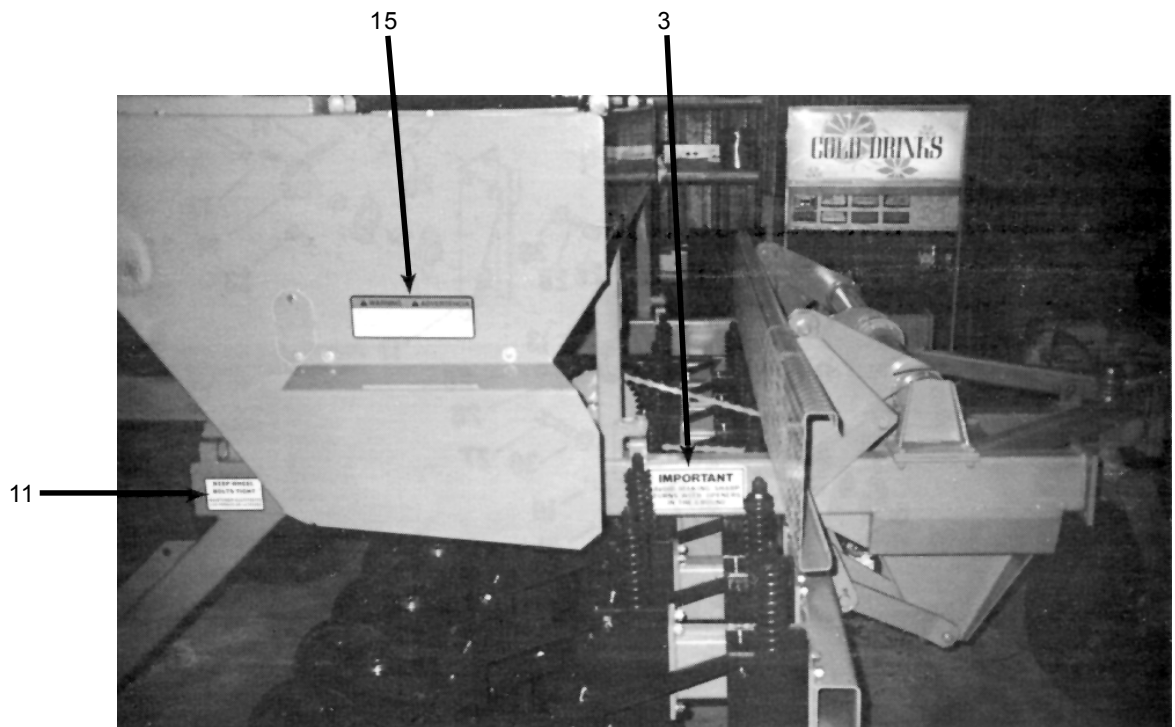
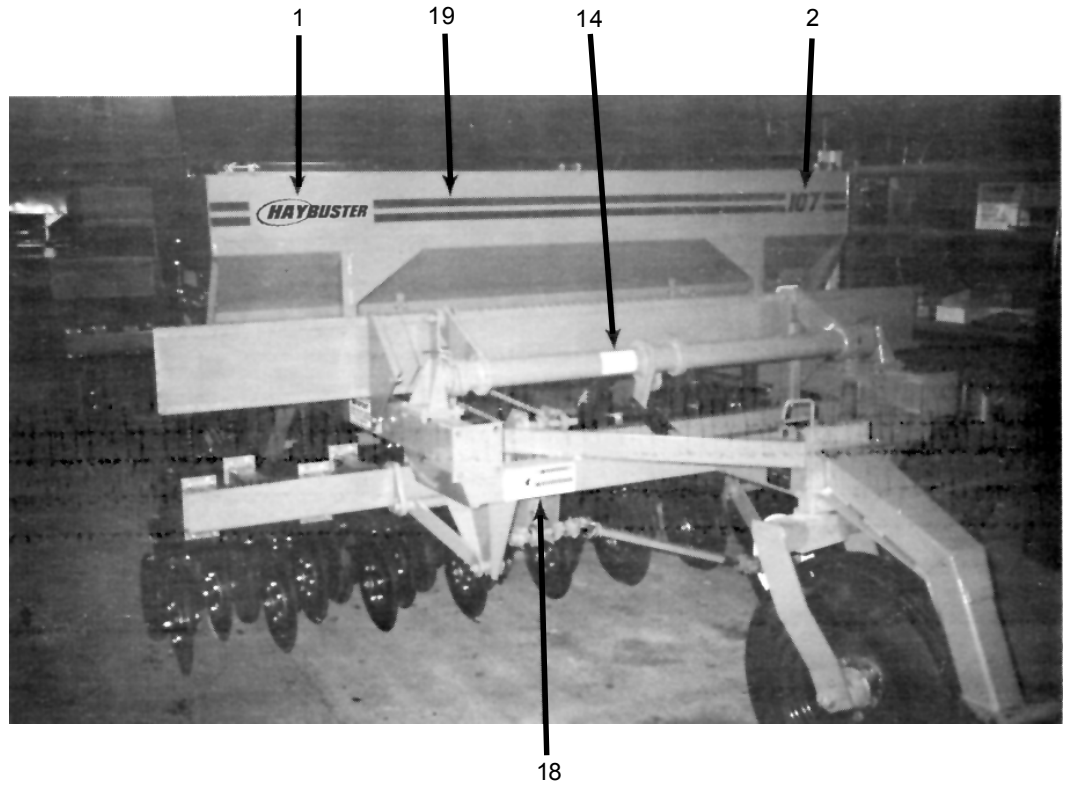


DECAL LOCATIONS



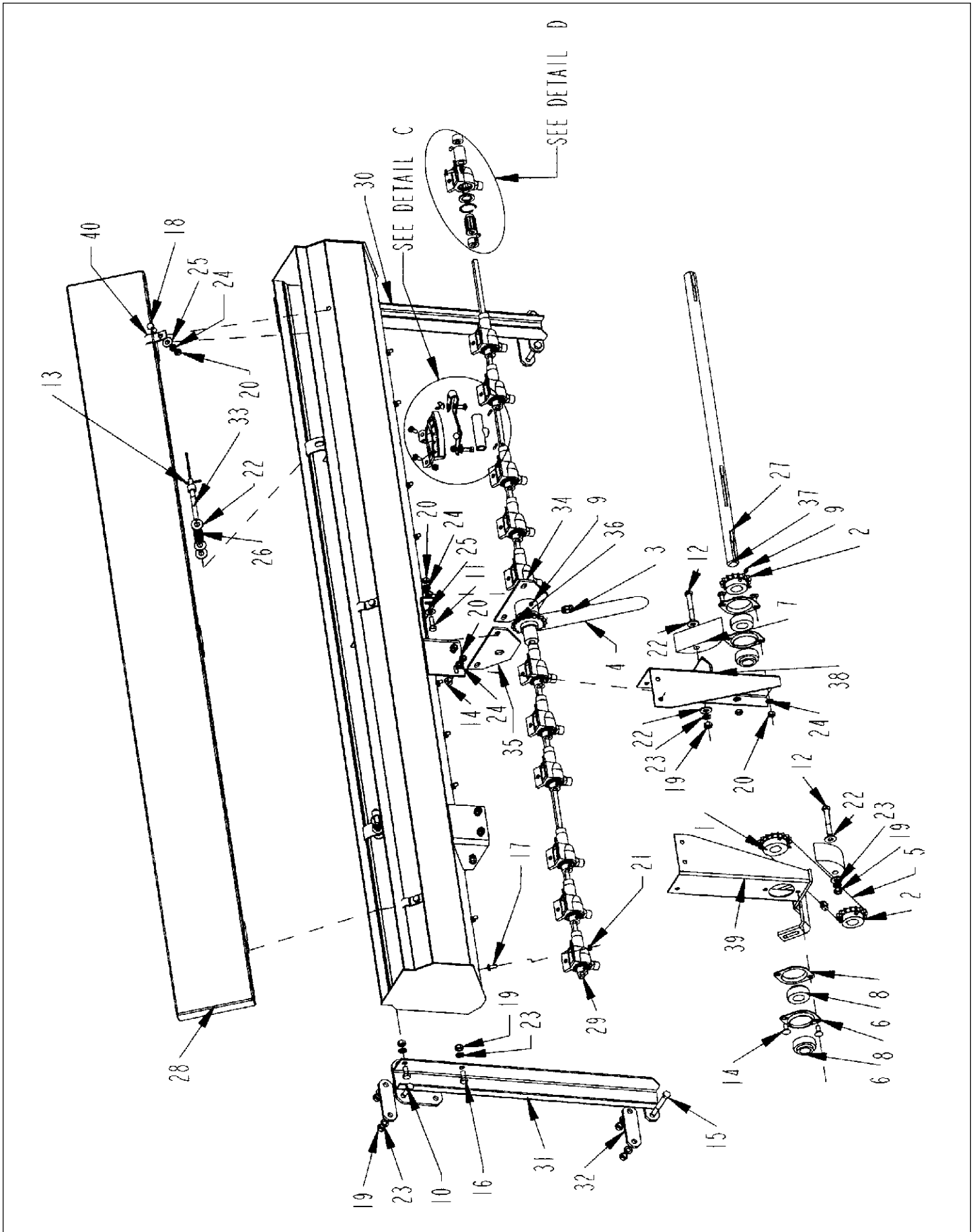
DECAL LOCATION (See page 93 for descriptions)

DECAL LOCATIONS



DECAL LOCATION (See page 93 for descriptions)

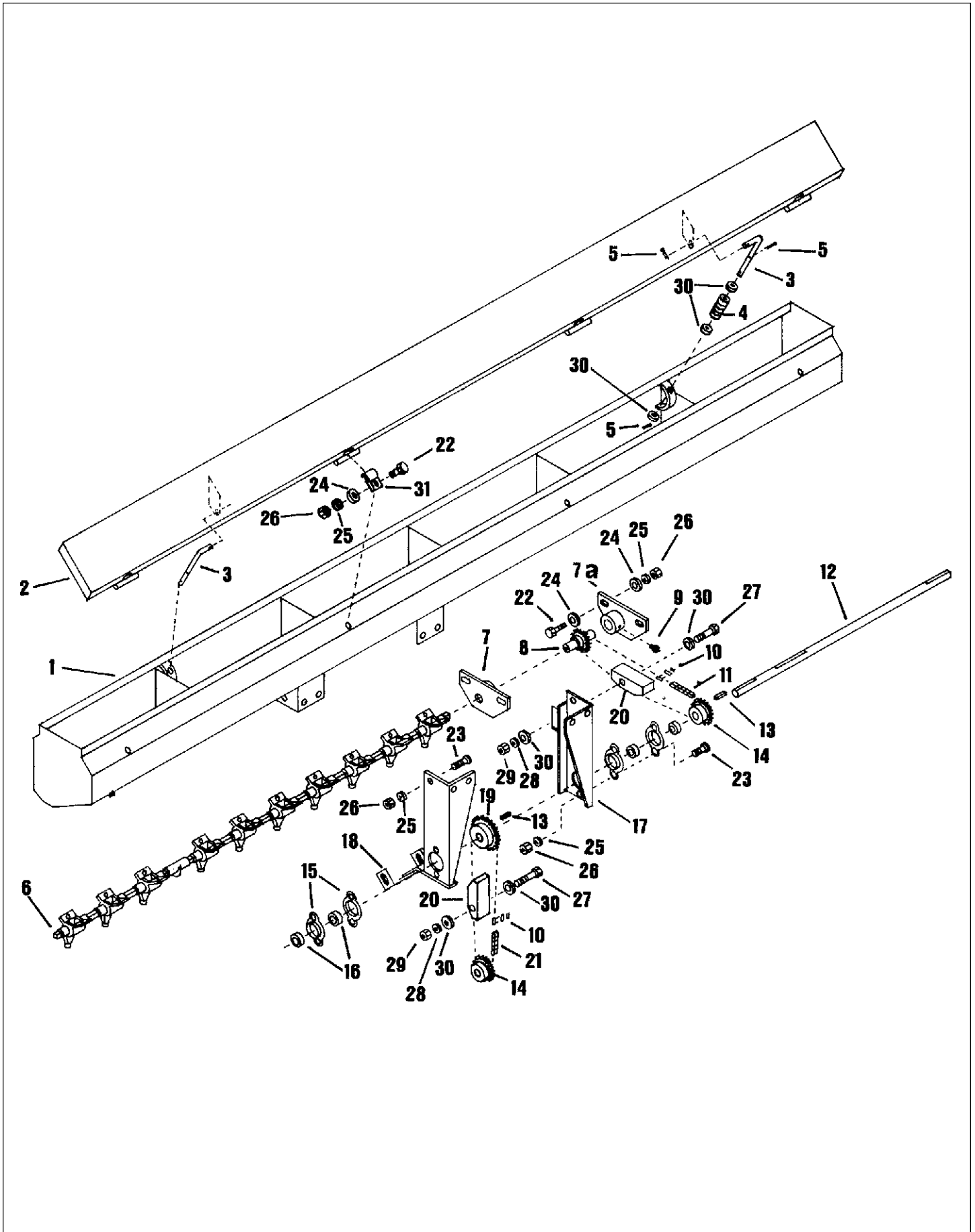
77 LEGUME BOX OPTION



77 LEGUME BOX OPTION

ITEM	PART NO.	QTY.	DESCRIPTION
1	1000111	1	SPKT\40\B\17\1\1/4KW\SOFT
2	1000112	2	SPKT\40\B\15\1\1/4KW
3	1100224	2	40NP PITCH CONNECTOR LINK
4	1100232	1	53 LINKS 40NP PITCH CHAIN
5	1100233	1	77 LINKS 40NP PITCH CHAIN
6	2000002	4	1" BEARING W/ LOCK COLLAR
7	2000016	2	BLK\WOOD\IDLER
8	2000703	4	2 HOLE FLANGETTE
9	3800082	8	FTG\LUB\1/4NFXZERK\ADAPT
10	4800003	4	BOLT\HEX\3/8X1
11	4800013	4	BOLT\HEX\5/16X1
12	4800029	2	BOLT\HEX\3/8X2-1/2
13	4800127	6	PIN\COT\1/8X1
14	4800153	10	BOLT\CRG\5/16X3/4\NC
15	4800156	4	BOLT\HEX\3/8X3
16	4800164	4	BOLT\HEX\3/8X3/4
17	4800213	26	SCR\PAN\SLOT\1/4X5/8\NC
18	4800643	3	BOLT\HEX\5/16X3/4
19	4900002	14	NUT\HEX\3/8\NC
20	4900003	18	NUT\HEX\5/16\NC
21	4900040	27	NUT\FLG\SERR\1/4\NC
22	5000001	10	WASH\FLAT\3/8
23	5000019	14	WASH\LOCK\3/8
24	5000022	18	WASH\LOCK\5/16
25	5000023	12	WASH\FLAT\5/16
26	6100002	2	SPRING\COMPL\072W\11/16OD\2-1/8LONG
27	6200010	3	KEY\SQ\1/4X1
28	8400722	1	CVR\BOX\LEGUME
29	8400723	1	SHFT\3/8SQX50-3/4\LGUM;BX
30	8700001	1	BRKT\LEGUME\LH\LEG-BOX
31	8700002	1	BRKT\LEGUME\RH\LEG-BOX
32	8700003	4	BRKT\LEGUME\LH\LEG-BOX
33	8700006	2	ROD\SPG\COV\BOX
34	8700008	1	BRG\BOX\LEGUME\RH
35	8700009	1	BRG\BOX\LEGUME\LH
36	8700010	1	SPRKT\17T\LEG.BOX
37	8700011	1	SHFT\1X29\LEGUMEBOX
38	8700012	1	BRKT\LEGUME\LH\SHFT-BOX
39	8700013	1	BRKT\LEGUME\RH\SHFT-BOX
40	8700014	3	HINGE\LEGUMEBOX

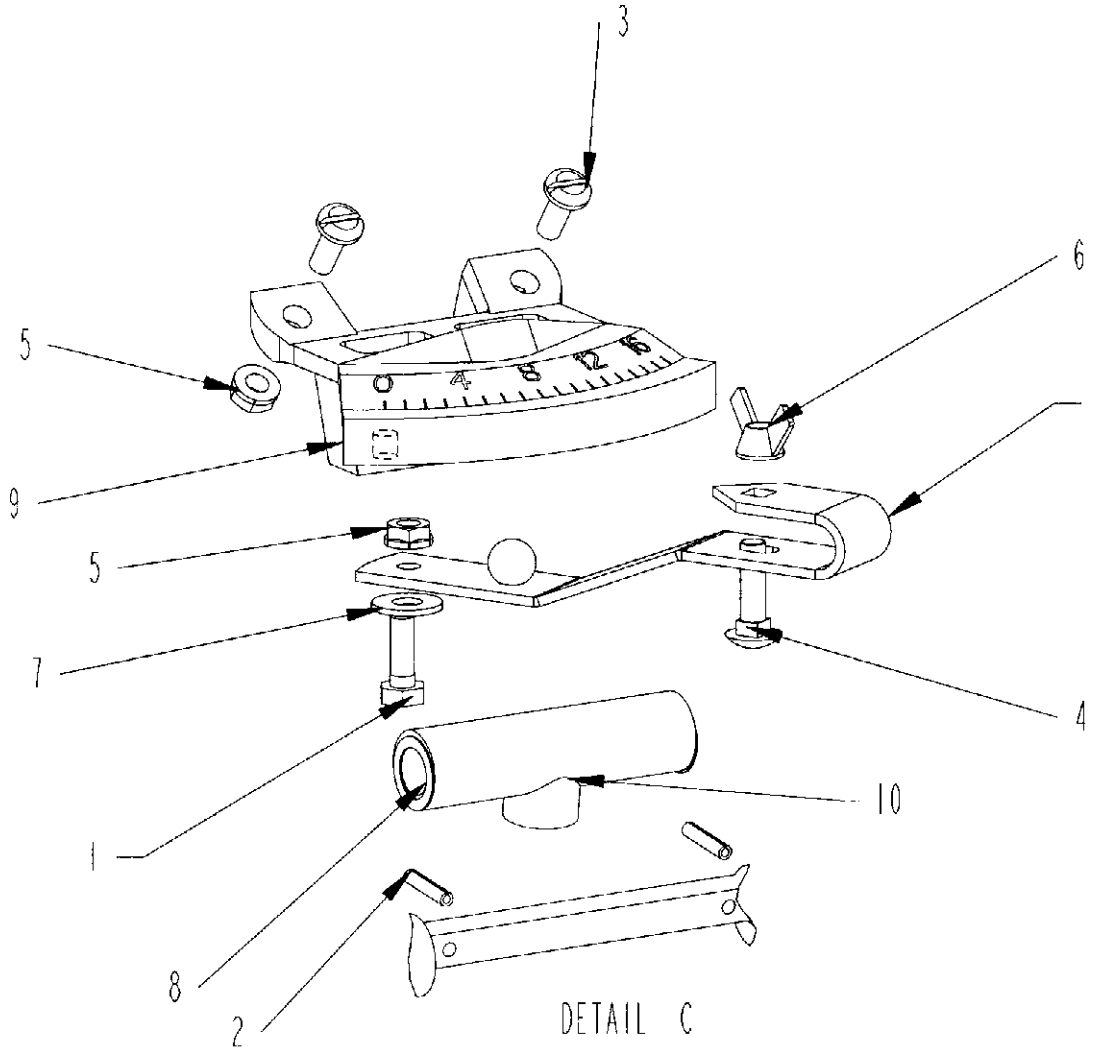
107 LEGUME BOX OPTION



107 LEGUME BOX OPTION

ITEM	PART NO.	QTY.	DESCRIPTION
1	8700004	1	Legume Box Weldment
2	8700005	1	Box Cover
3	8700006	2	Box Cover Spring Rod
4	6100046	2	Spring
5	4800127	6	Cotter Pin 1/8" x 1"
6	8700007	2	Shaft 3/8" Sq. x 50-3/4"
7	8700008	1	Bearing Right Hand
7A	8700009	1	Bearing Left Hand
8	8700010	1	Sprocket 17 Tooth
9	3800082	2	Zerk 1/4" Tapper
10	1100224	2	40NP Pitch Connector Link
11	1100232	1	53 Links 40NP Pitch Chain
12	8700011	1	Shaft 1" x 29"
13	6200010	4	1/4" x 1" Key
14	1000112	2	4015 Sprocket 1" Bore 1/4 KW
15	2000703	4	2 Hole Flangette
16	2000002	2	1" Bearing with Lock Collar
17	8700012	1	Bracket Left Hand
18	8700013	1	Bracket Right Hand
19	1000111	1	4017 Sprocket 1" Bore 1/4 KW
20	2000016	2	Wood Block Idler
21	1100233	1	77 Links 40NP Pitch Chain
22	4800013	8	5/16" x 1" Hex Head Bolt
23	4800153	10	5/16" x 3/4" Carriage Bolt
24	5000023	12	5/16" Flat Washer
25	5000022	18	5/16" Lock Washer
26	4900003	18	5/16" Hex Nut
27	4800029	2	3/8" x 2-1/2" Hex Head Bolt
28	5000019	2	3/8" Lock Washer
29	4900002	2	3/8" Hex Nut
30	5000001	10	3/8" Flat Washer
31	8700014	4	Hinge
32	8700015	2	Seed Cup Long Gang (Not Shown)
33	8700016	2	Seed Cup Short Gang (Not Shown)

SEED INDEX ASSEMBLY LEGUME BOX (DETAIL C)



ITEM	PART NO.	QTY.	DESCRIPTION
1	4800024	1	BOLT\HEX\1/4X3/4
2	4800212	2	PIN\RLLD\5/32X3/4
3	4800213	2	SCR\PAN\SLOT\1/4X5/8\NC
4	4800214	1	BOLT\CRG\1/4X1\NC
5	4900040	2	NUT\FLG\SERR\1/4\NC
6	4900041	1	NUT\WING\1/4\NC
7	5000035	1	WASH\FLAT\1/4
8	5000118	2	WASH\FLAT\SPCL\14MMX.5MMX20MMO.D.
9	7500183	1	METER\INDEX\SEED
10	7500184	1	SHFTR\INDEX\SEED
11	7500185	1	ARM\SHFTR\INDEX\SEED

NOT SHOWN

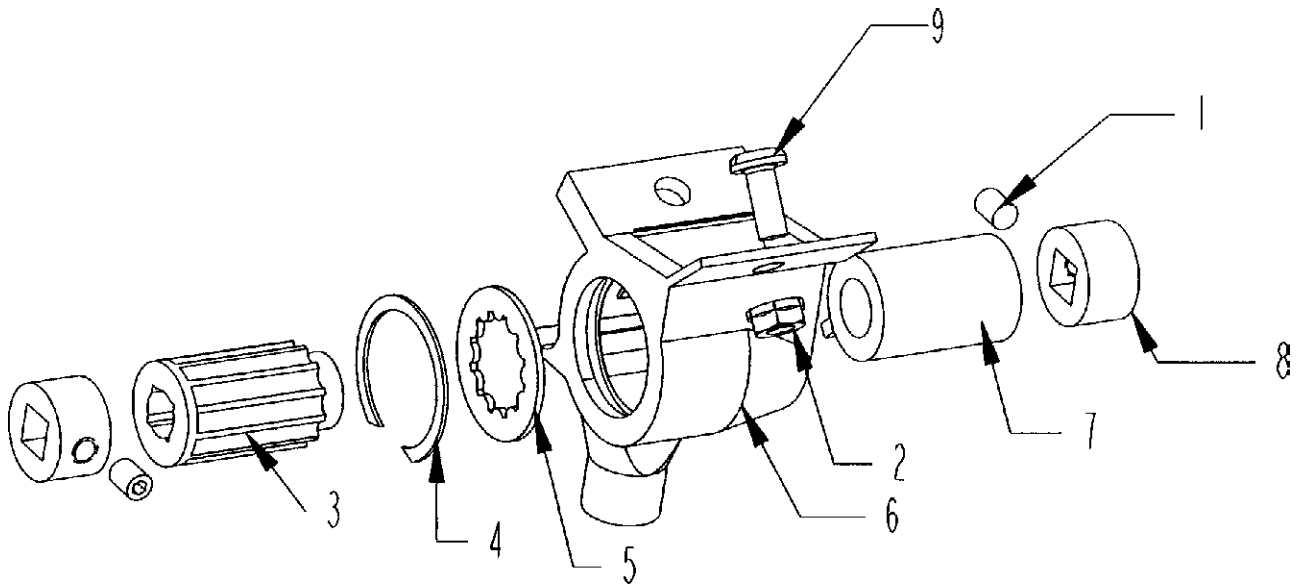
6500016	DECAL\INFO\CAL;SCALE;GRAIN
6500017	DECAL\INFO\CAL.SCALE;FERT
6500081	DECAL\INFO\CAL.SCALE;GRASS

CUP ASSEMBLY LEGUME BOX (DETAIL D)

ITEM	PART NO.	QTY.	DESCRIPTION
1	4800211	24	SCR\SET\ALN\1/4X5/16\NC
2	4900040	24	NUT\FLG\SERR\1/4\NC
3	7500177	12	ROLLER\FEED
4	7500178	12	RING\SNAP
5	7500179	12	WASHER\ROLLER\FEED
6	7500180	12	FEED CUP ASSEMBLY
7	7500181	12	GATE\CUP\ASSY
8	7500182	24	CLLR\7/80D3/8SQ
9	4800213	24	SCR\PAN\SLOT\1/4X5/8\NC

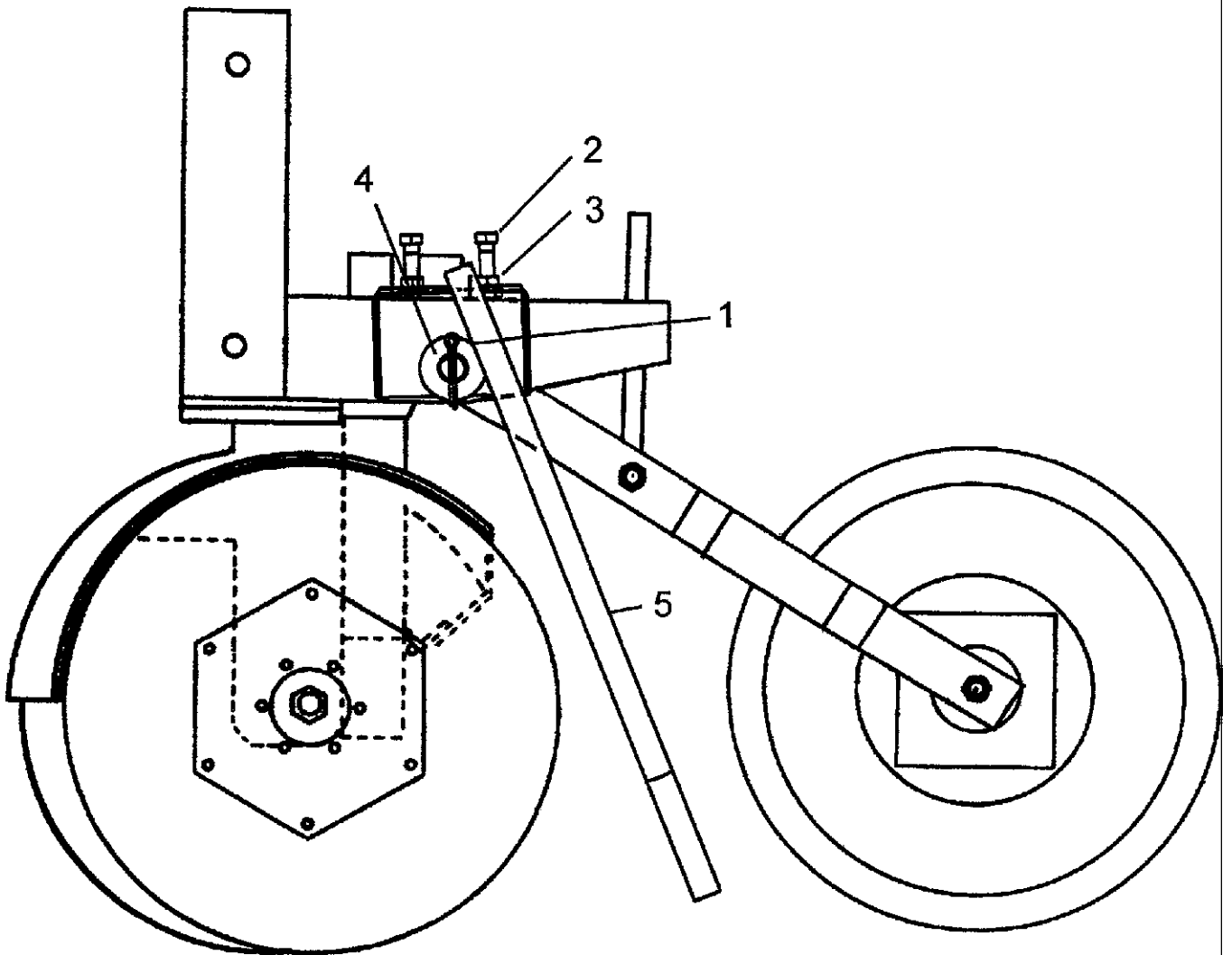
NOT SHOWN
3700129

HOSE\PVC\5/8IDX22-1/2\CLR



DETAIL D

LEGUME DROP TUBE ASSEMBLY



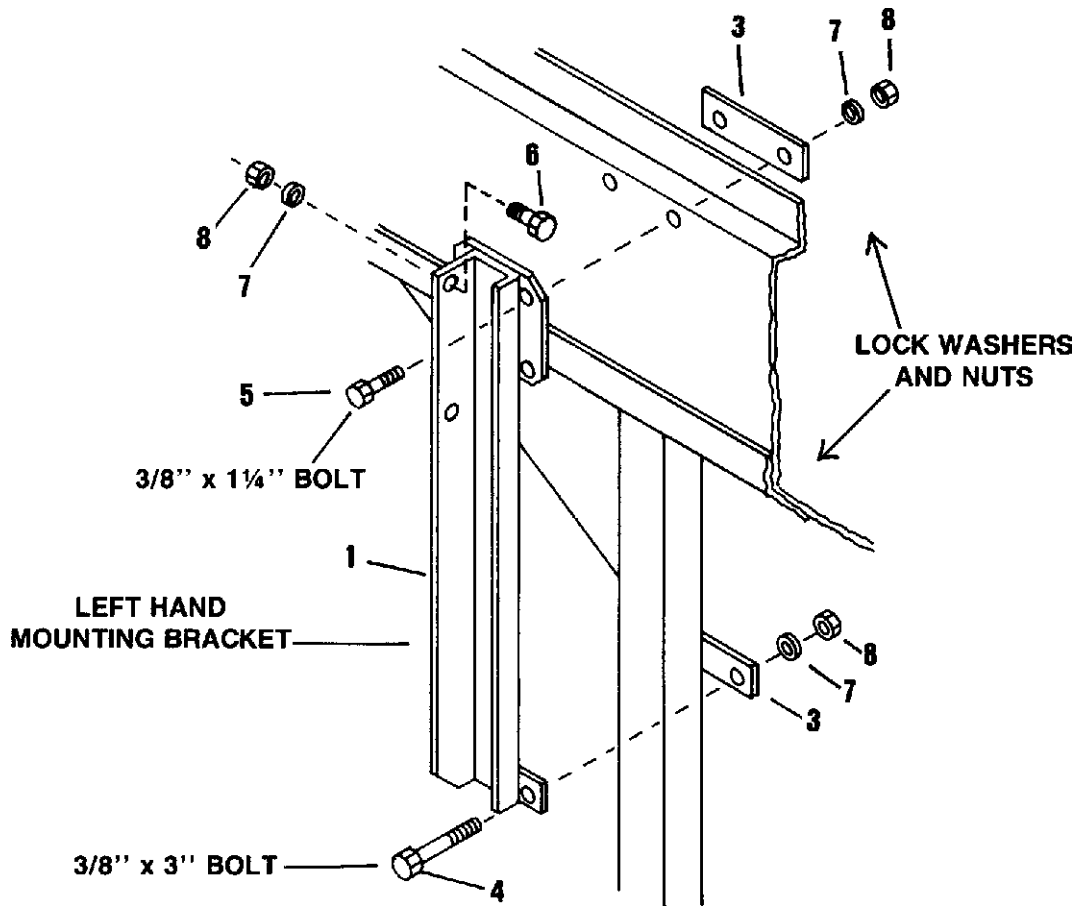
LEGUME DROP TUBE ASSEMBLY

ITEM	PART NO.	QTY.	DESCRIPTION
	8400631		TUBE\DROP\LEGUME\KIT\1BEND\107\PER ROW
1	4800050		PIN\COT\3/16 X 1-1/2
1A	4800218	1	BOLT\HEX\5/8X5-1/2
1B	4900107	1	NUT\NYLCK\5/8\NC
2	4800098	2	BOLT\HEX3/8 X 1-1/4\NC
3	4900026	2	NUT\JAM\3/8\NC
4	5000002	1	WASH\FLAT\5/8
5	8400630	1	BRKT\TUBE\DROP\LEGUME\1BEND\107

NOT SHOWN

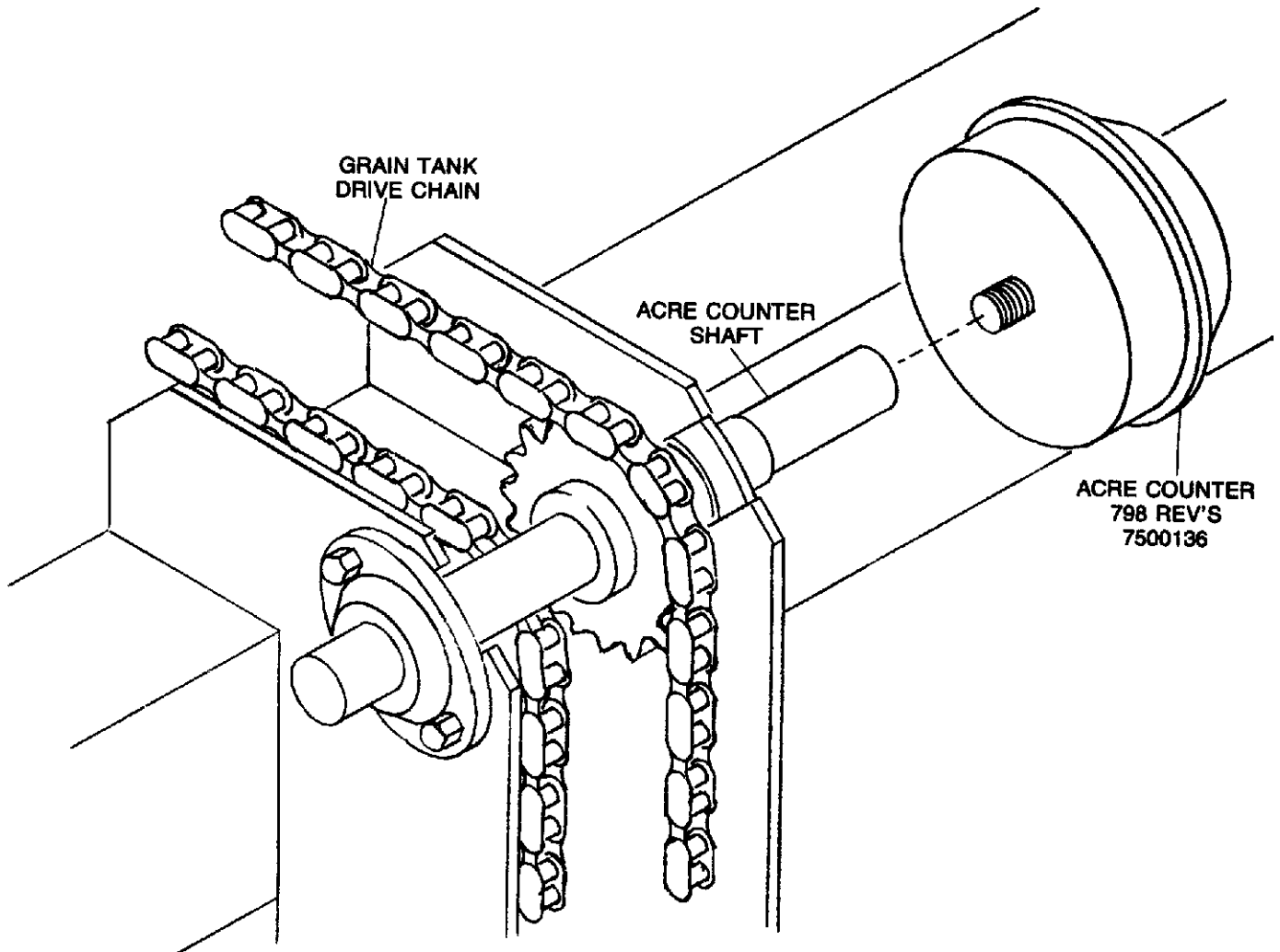
	3700127	2 ft.	HOSE\PVC\5/8ID\CLEAR\BULK
--	---------	-------	---------------------------

LEGUME BOX MOUNTING BRACKET (77 & 107)



ITEM	PART NO.	QTY.	DESCRIPTION
1	8700001	1	Mounting Bracket Left Hand
2	8700002	1	Mounting Bracket Right Hand (Not Shown)
3	8700003	4	Strap
4	4800156	4	3/8" x 3" Hex Head Bolt
5	4800098	4	3/8" x 1-1/4" Hex Head Bolt
6	4800003	4	3/8" x 1" Hex Head Bolt
7	5000019	12	3/8" Lock Washer
8	4900002	12	3/8" Hex Nut

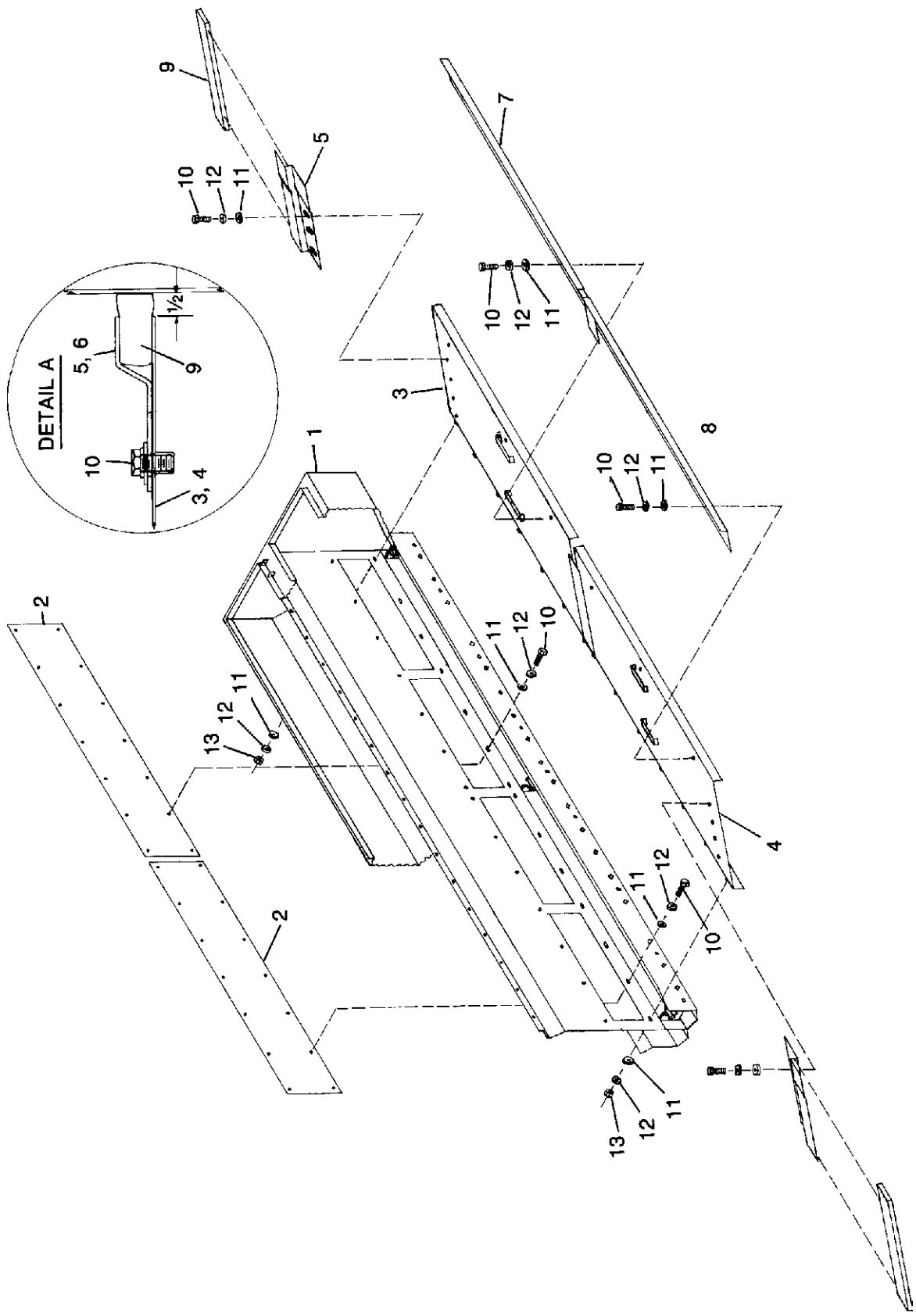
ACRE COUNTER (OPTION) (77 & 107)



Installation:

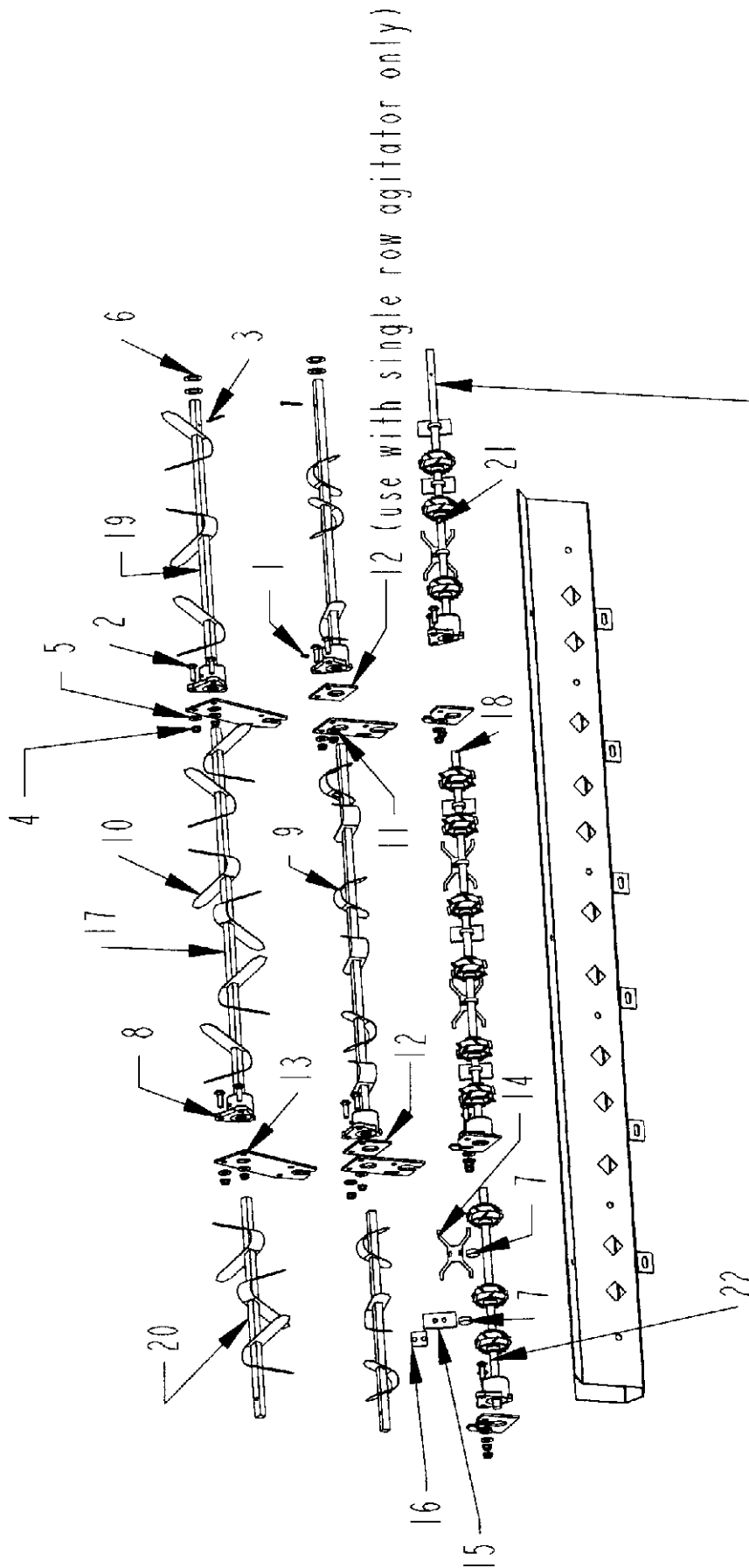
1. Turn acre counter into threaded hole in end of acre counter shaft (see illustration).

FALSE BOTTOM OPTION (107 ONLY)



FALSE BOTTOM OPTION (107 ONLY)

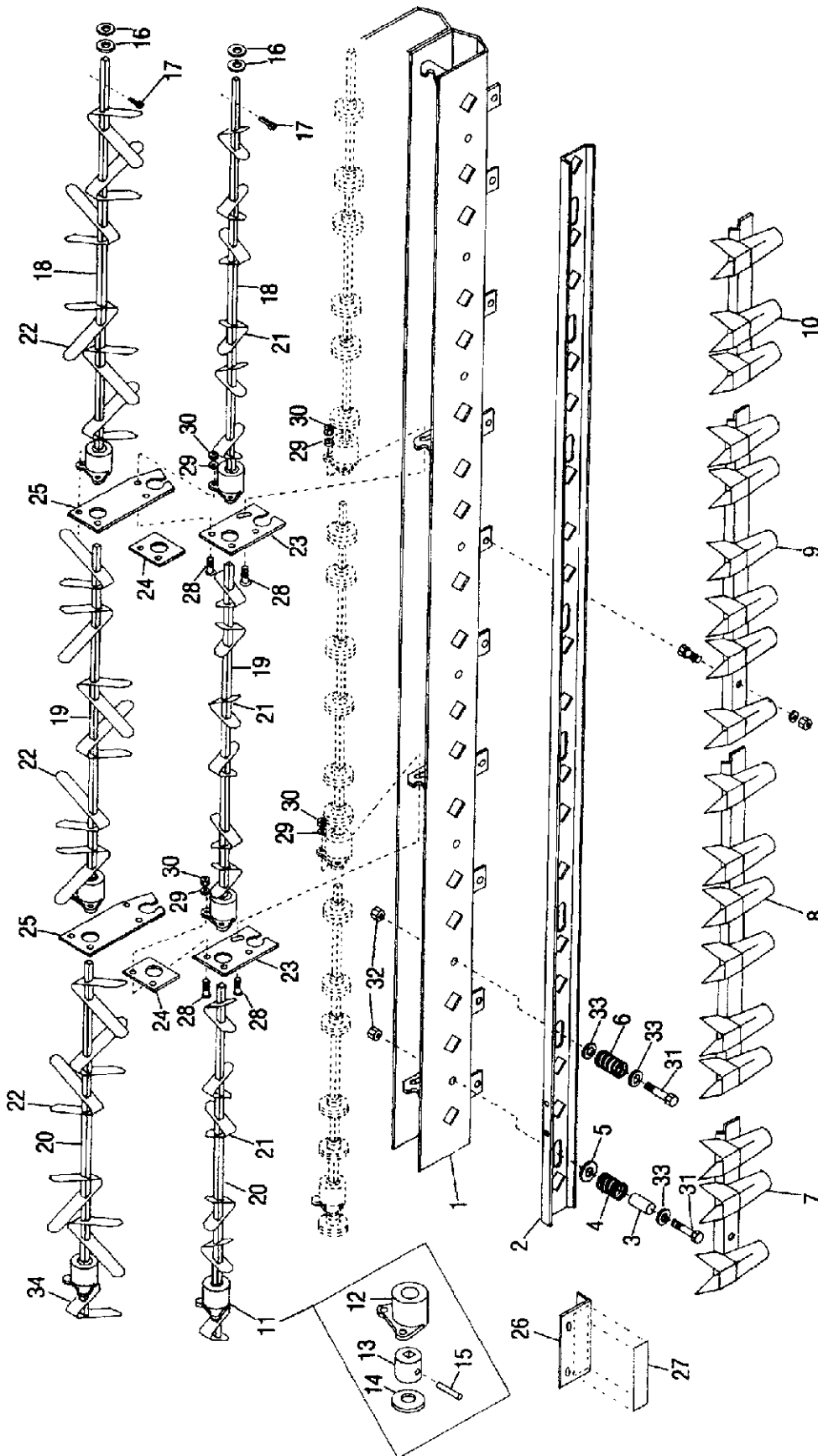
ITEM	PART NO.	QTY.	DESCRIPTION
1	8400244	1	Tank Weldment - 107
2	8400318	2	Divider Cover - 107
3	8400319	1	False Bottom RH - 107
4	8400320	1	False Bottom LH - 107
5	8400321	1	Side Seal Retainer RH - 107
6	8400322	1	Side Seal Retainer LH - 107
7	8400323	1	Upper Seal RH - 107
8	8400324	1	Upper Seal LH - 107
9	7500308	2	Rubber Seal
10	4800164	40	3/8" x 3/4" Hex Bolt
11	5000001	54	3/8" Flat Washer
12	5000019	54	3/8" Lock Washer
13	4900002	14	3/8" Hex Nut



77 NATIVE GRASS KIT OPTION - ADDITIONAL AGITATOR SHAFTS

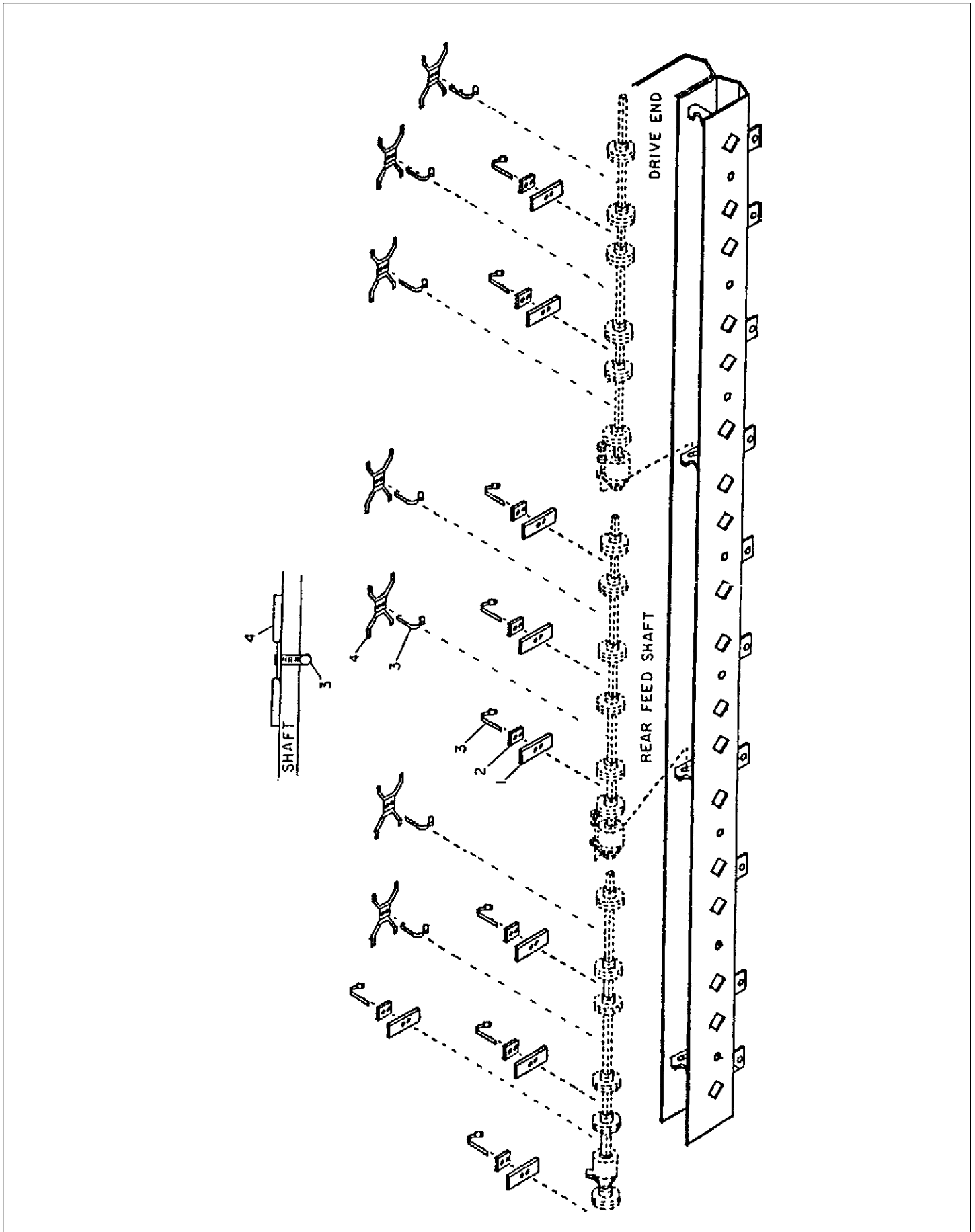
ITEM	PART	QUANTITY SINGLE AGITATOR	QUANTITY DUAL AGITATOR	DESCRIPTION
1	3800082	2	4	FTG\LUB\1/4NFXZERK\ADAPT
2	4800012	4	8	BOLT\CRG\3/8X1-1/4\NC
3	4800044	1	2	PIN\COT\5/16X1-1/2
4	4900076	4	8	NUT\FLG\SERR\3/8\NC
5	5000001	4	8	WASH\FLAT\3/8
6	5000027	2	4	WASH\7/8DX1-1/2OD\20GA SHIM
7	7500107	10	10	CLMP\HOSE
8	7501058	2	4	SUP\SHFT\ASSY\SLEEVE\107
9	8400256	12	12	SMALL AGITATOR PADDLE 7" SPACING
10	8400257	0	12	LARGE AGITATOR PADDLE 7" SPACING
11	8400259	2	2	BRKT\MNT\GRASS TUBE
12	8400260	2	0	BEARING SPACER PLATE
13	8400261	0	2	BRKT\MNT\GRASS TUBE
14	8400267	4	4	FNGR\AGTTR\DRILL
15	8400396	6	6	RUBBER PADDLE
16	8400397	6	6	PADDLE, REINFORCE PLATE
17	8400423	1	2	SHFT\TANK\33-1/16\DRILL
18	8400659	EXISTING SHAFT		WHL\FEED\33-1/16\REAR\CTR
19	8400708	1	2	SHFT\TANK\23-15/16\DRILL
20	8400710	1	2	SHFT\TANK\19"\DRILL
21	8400711	EXISTING SHAFT		WHL\FEED\23-15/16\REAR\RH
22	8400713	EXISTING SHAFT		WHL\FEED\19\REAR\LH

107 NATIVE GRASS KIT - ADDITIONAL AGITATOR SHAFTS



107 NATIVE GRASS KIT - ADDITIONAL AGITATOR SHAFTS

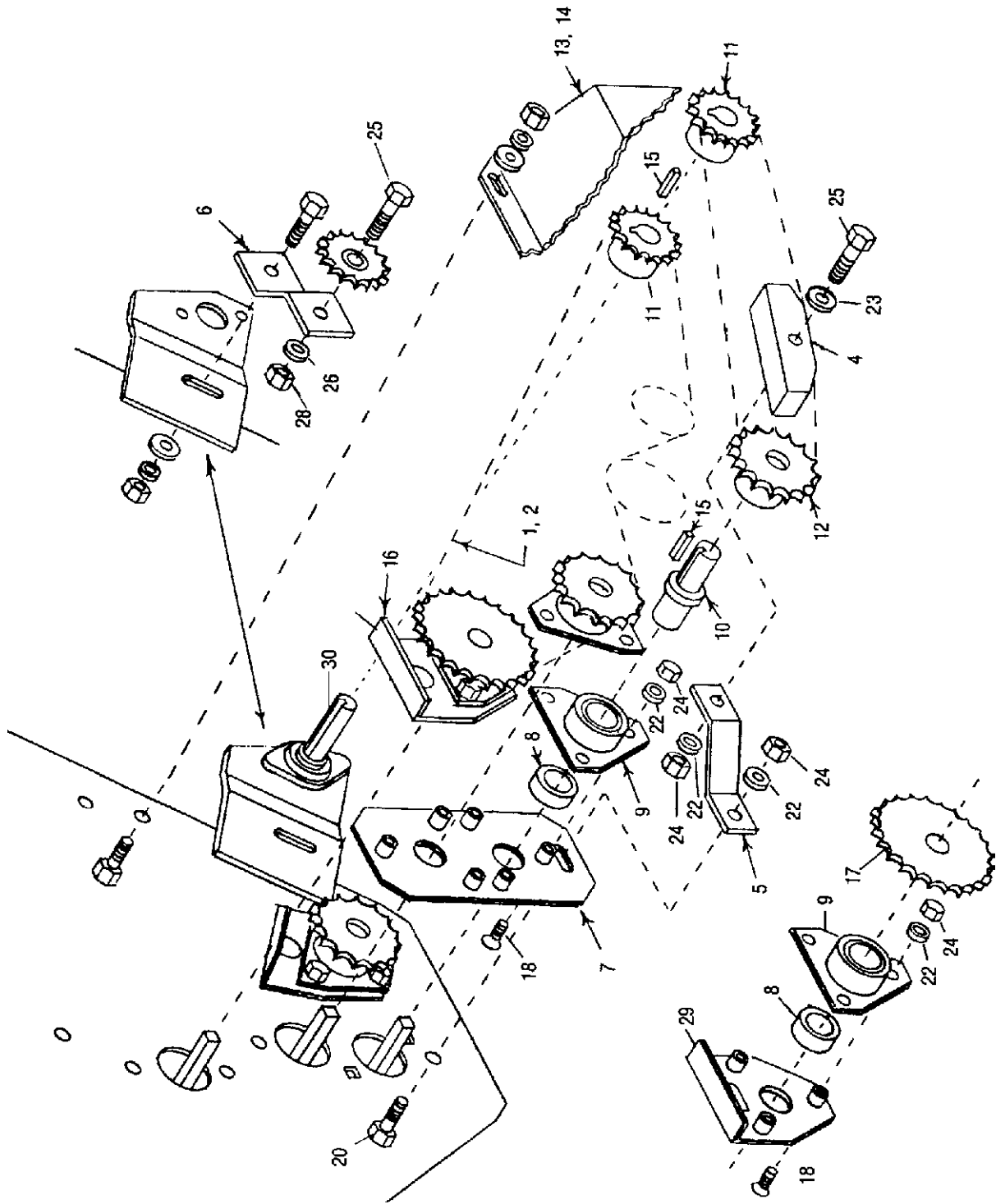
ITEM	PART	QUANTITY SINGLE AGITATOR	QUANTITY DUAL AGITATOR	DESCRIPTION1
	NOT IN KIT			GRAIN TANK
2	8400245	1	1	CONTROL PLATE 7" SPACING
2	8400247	1	1	CONTROL PLATE 8" SPACING
3	8400007	3	3	CONTROL PLATE GUIDE
4	6100031	3	3	SPRING\COMP\072W\25\32OD\2-1/8
5	5000002	3	3	WASH\FLAT\5/8
6	6100002	5	5	SPRING\COMP\072W\11\16OD\2-1/8
7	8400248	1	1	SEED CUP LEFT END SEC 7"
7	8400252	1	1	SEED CUP LEFT END SEC 10"
8	8400249	1	1	SEED CUP LEFT CEN SEC 7"
8	8400253	1	1	SEED CUP LEFT CEN SEC 10"
9	8400250	1	1	SEED CUP RIGHT CEN SEC 7"
9	8400254	1	1	SEED CUP RIGHT CEN SEC 10"
10	8400251	1	1	SEED CUP RIGHT END SEC 7"
10	8400255	1	1	SEED CUP RIGHT END SEC 10"
11	7500110	3	6	BRKT\CAST\W\BEARING\COMPLETE
12	7500108	3	6	CAST BRACKET HOUSING
13	7500109	3	6	1.445 5/8SQ HOLE SLEEVE
14	5000036	3	6	WASH\1-3/4ODX.89ID\1-1/4
15	4800169	1	2	PIN\RLLD\1/4X1-1/8
16	5000027	2	4	WASH\7/81DX1-1/2OD\20GA SHIM
17	4800044	1	2	PIN\COT\5/32X1-1/2
18	8400426	1	2	38-7/16 FEED SHAFT 100 SERIES
19	8400423	1	2	33-1/16 FEED SHAFT 100 SERIES
20	8400425	1	2	34-1/2 FEED SHAFT 100 SERIES
21	8400256	18	18	SMALL AGITATOR PADDLE 7" SPACING
21	8400256	12	12	SMALL AGITATOR PADDLE 10" SPACING
22	8400257		17	LARGE AGITATOR PADDLE 7" SPACING
22	8400257		11	LARGE AGITATOR PADDLE 10" SPACING
23	8400259	3	3	LOWER BEARING BRACKET
24	8400260	3		BEARING SPACER PLATE
25	8400261		3	UPPER BEARING BRACKET
26	8400262	1	1	SCALE PLATE
27	6500081	1	1	DECAL\INFO\CAL.SCALE\GRASS\107BOX
28	4800012	12	18	BOLT\CRG\3/8X1-1/4NC
29	5000001	12	18	WASH\FLAT\3/8
30	4900076	12	18	NUT\FLANGE\SERR\3/8\NC
31	4800082	8	8	BOLT\HEX\1/2X1-1/2
32	4900014	8	8	NUT\TPLCK\1/2\NC
33	5000016	13	13	WASH\FLAT\7/16
34	8400258		1	LARGE AGITATOR PADDLE, W/1 SHORT LEG
	8400580			ATTACH\INTV-GRASSKIT\107\7"\DEALER_INSTALLED
	8400636			ATTACH\INTV-GRASS\ASSY\107\7"\FACTORY_INSTALLED



107 NATIVE GRASS KIT - TANK, EXISTING SHAFT MODIFICATIONS

ITEM	PART NO.	QTY.	DESCRIPTION
1	8400396	9	RUBBER PADDLE
2	8400397	9	PADDLE, REINFORCE P,LATE
3	7500107	16	CLAMP\HOSE\1-1/4\WORMSS
4	8400267	7	FEED WHEEL SHAFT AGITATOR

NATIVE GRASS KIT - TANK END DRIVE ASSEMBLY (77 & 107)



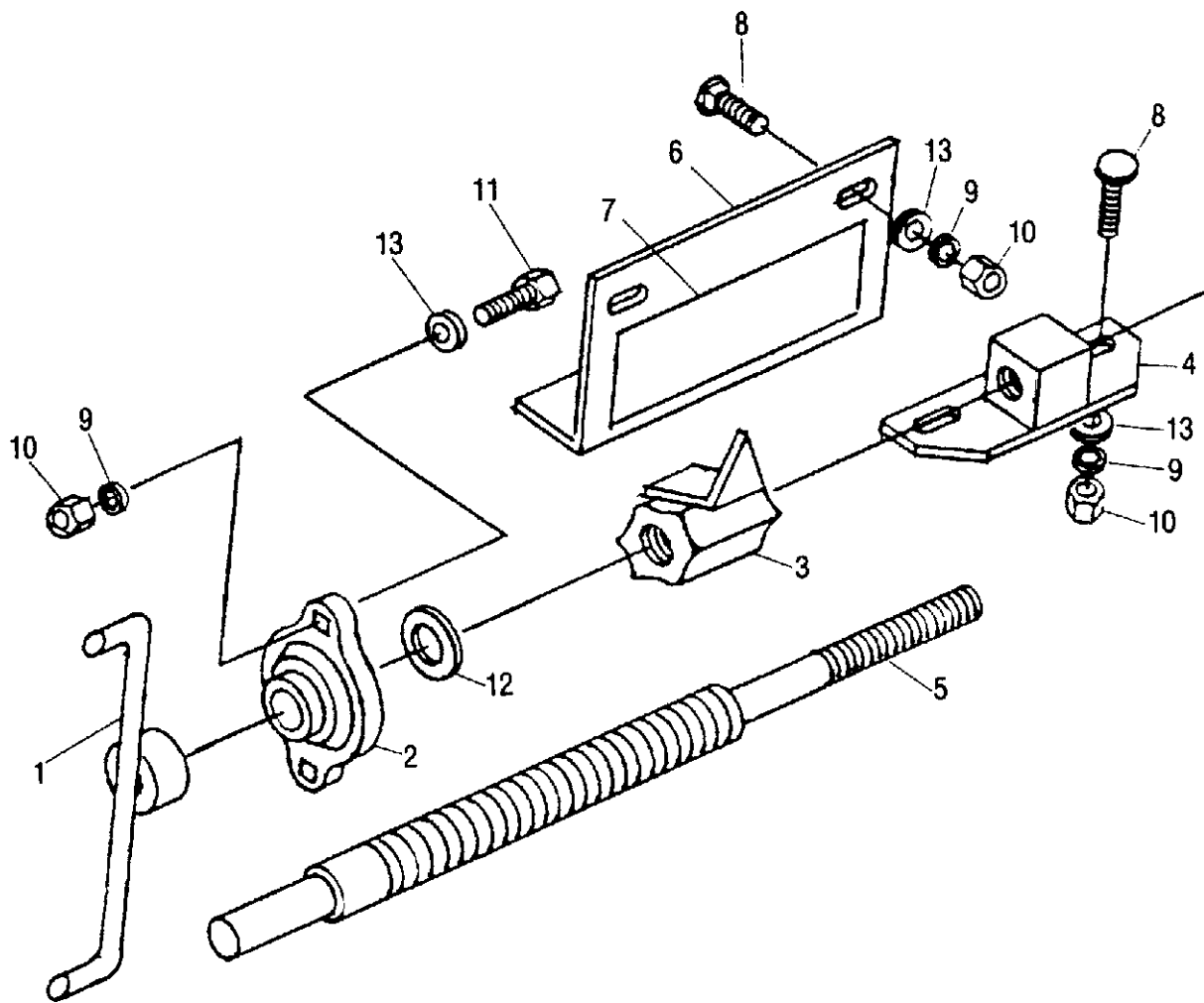
NATIVE GRASS KIT - TANK END DRIVE ASSEMBLY (77 & 107)

ITEM	PART	QUANTITY SINGLE AGITATOR	QUANTITY DUAL AGITATOR	DESCRIPTION
1	1100236	1		CHAIN\50NP\75
2	1100237		1	CHAIN\50NP\95
3	1100227	1	1	CHAIN\50NP\CL
4	2000016	1	1	BLOCK\WOOD\IDLER
5	8400240	1	1	WOOD BLOCK IDLER MOUNT
6	8400241	1	1	MNT\SPKT\IDLER
7	8400242	1	1	TANK SEALER PLATE
8	2000802	2	3	CLLR\ECC\1-1/4
9	8400070	2	3	BRACKET W/BEARING
10	8400438	1	1	DRIVE SHAFT STUB(GRASS)
11	1000029	2	2	SPKT\50B\14\1\1/4KWHRN
12	1000175	1	1	SPKT\50B\18\1\1/4KW
13	8400243	1		SHLD\AGTTR\SINGLE
14	8400246		1	SHLD\AGTTR\DOUBLE
15	6200014	2	2	KEY\SQ\1/4X1-1/4
16	8400239		1	SEALER PLATE & BRG COMPLETE
17	8400238		1	50-24 SPRKT W/SQ HOLE SLEEVE
18	4800167	6	9	SCR\CAP\ALN\3/8X1-1/4\NC
19	4800034	1	2	BOLT\HEX\3/8X1-1/2
20	4800003	1	2	BOLT\HEX\3/8X1
21	4800029	1	1	BOLT\HEX\3/8X2-1/2
22	5000019	11	16	WASH\LOCK\3/8
23	5000001	6	7	WASH\FLAT\3/8
24	4900002	11	16	NUT\HEX\3/8\NC
25	4800514	2	2	BOLT\HEX\3/8X2-3/4
29	8400074		1	SEALER PLATE
30	8400573			SHAFT\RD\TANK\1X38*
30	8400738			SHAFT\RD\TINTV_GR\1X23.5**

NOTE (*): REQUIRED WHEN THE NATIVE GRASS KIT AND A LEGUME BOX ARE MOUNTED ON THE SAME 107

NOTE (**): REQUIRED WHEN THE NATIVE GRASS KIT AND A LEGUME BOX ARE MOUNTED ON THE SAME 77

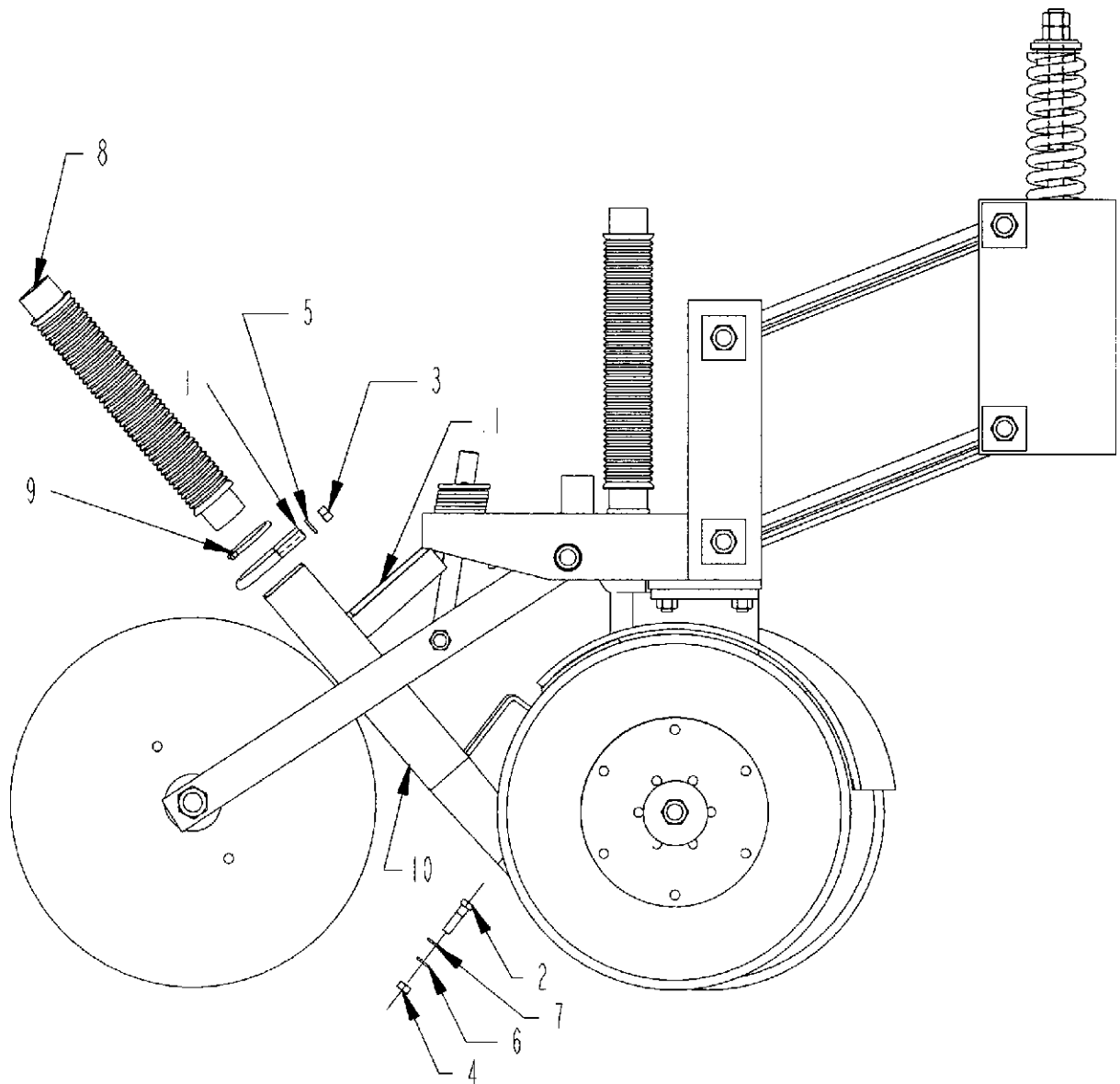
NATIVE GRASS KIT - SEED AND FERTILIZER SETTING ASSEMBLY (77 & 107)



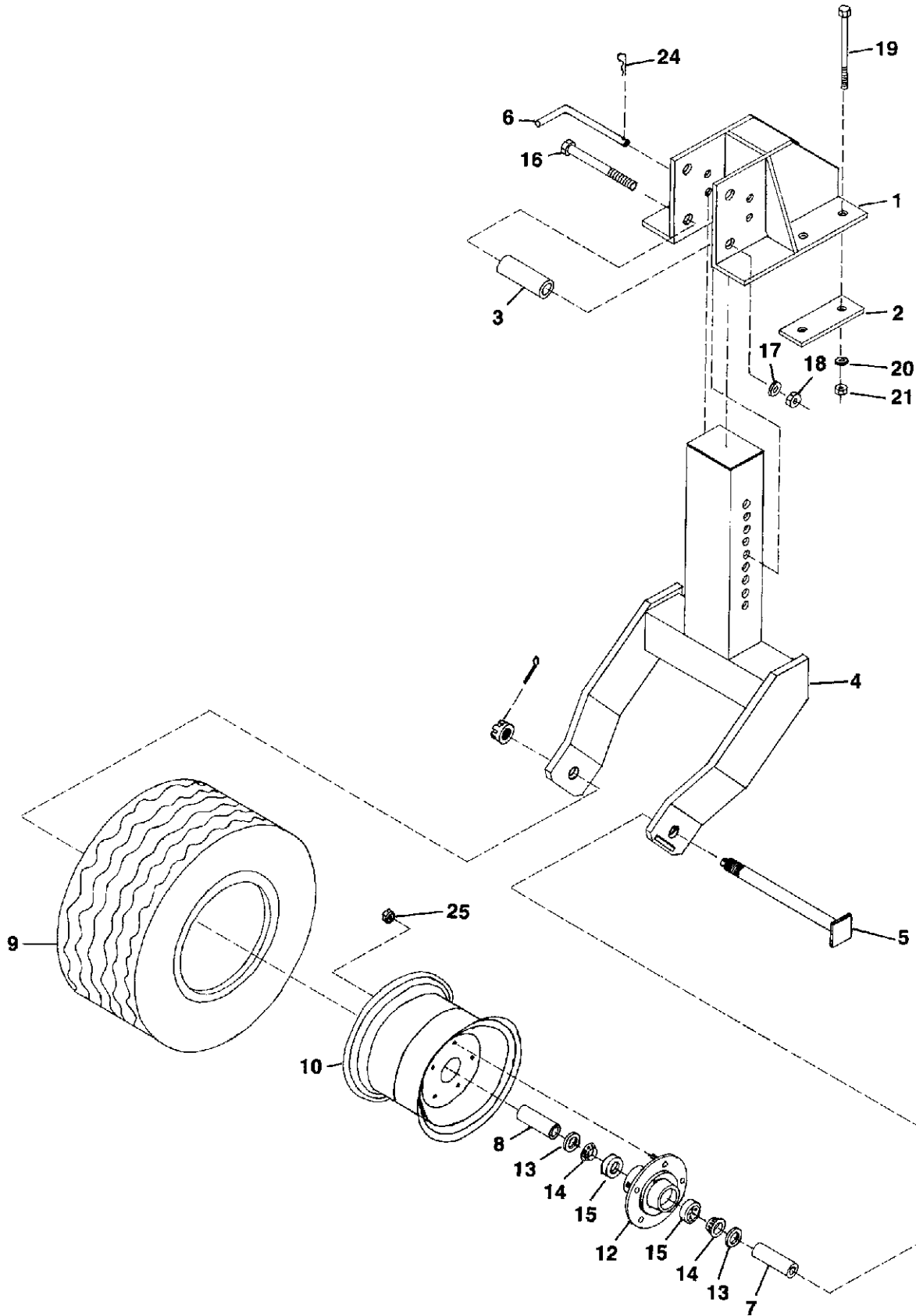
ITEM	PART NO.	QTY.	DESCRIPTION
1	8400060	2	CALIBRATION HANDLE
2	2000313	4	BRG\FLG\CAST\3/4\2 BOLT
3	7500071	2	CALIBRATION POINTER NUT
4	7500072	2	CALIBRATION CONTROL PL NUT
5	7500073	2	CALIBRATION SHAFT #6620
6	8400262	2	CALIBRATION SCALE PLATE
7	6500081	1	DECAL\INFO\CAL.SCALE\GRASS\107BOX
8	4800393	8	BOLT\HEX\5/16X7/8\GR8
9	5000022	12	WASH\LOCK\5/16
10	4900003	12	NUT\HEX\5/16\NC
11	4800013	4	BOLT\HEX\5/16X1
12	5000039	2	WASH\1-1/4ODX13/16IDX.110
13	5000023	12	WASH\FALT\5/16

NATIVE GRASS KIT - DROP TUBE AND HOSE (77 & 107)

ITEM	PART NO.	QTY.	DESCRIPTION
1	4800014	1	BOLT\U\3/8X2X2-5/8
2	4800071	1	BOLT\HEX\5/16X1-1/4
3	4900002	2	NUT\HEX\3/8\NC
4	4900003	1	NUT\HEX\5/16\NC
5	5000019	2	WASH\LOCK\3/8
6	5000022	1	WASH\LOCK\5/16
7	5000023	1	WASH\FLAT\5/16
8	7500168	1	CONVOLUTED HOSE
9	7500169	1	CLAMP\SDHOSE2\CP-34
10	8400236	1	STBLZR\TUBE\DROP
11	8400285	1	STBLZR\TUBE\DROP



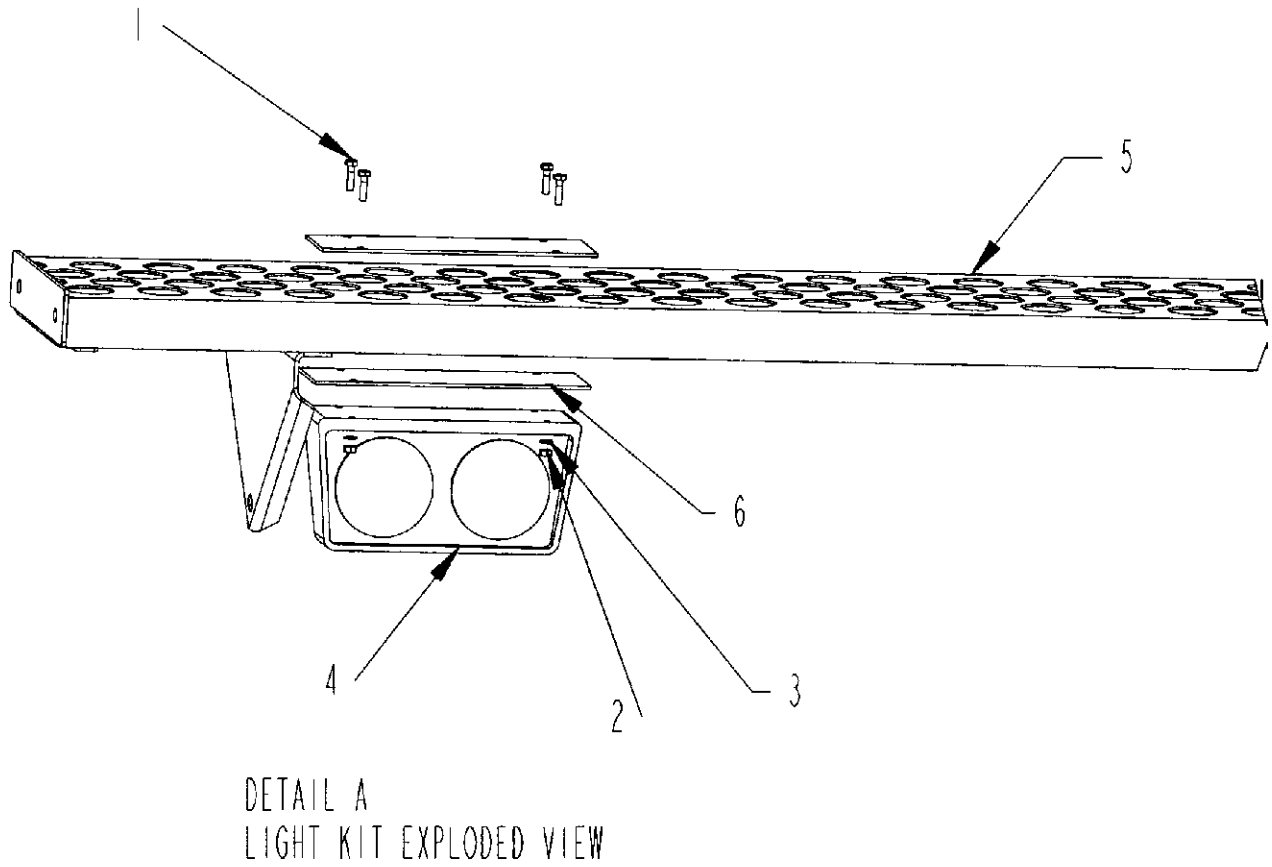
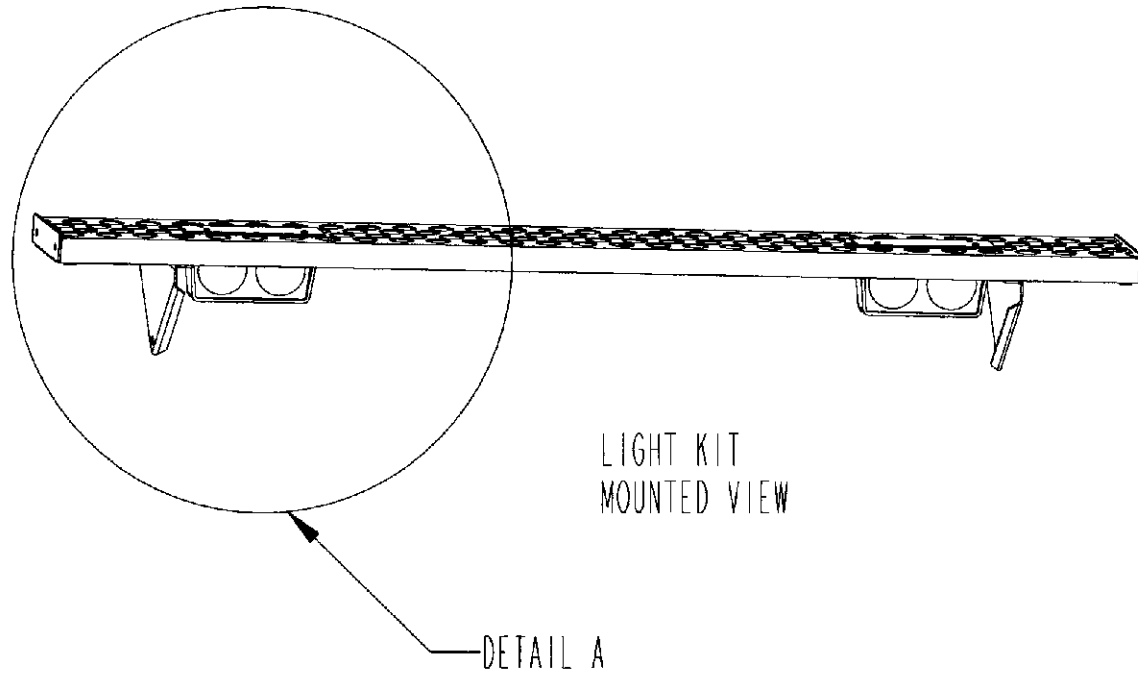
GAUGE WHEELS OPTION (77 & 107)



GAUGE WHEELS OPTION (77 & 107)

ITEM	PART NO.	QTY.	DESCRIPTION
1	8400332	2	Gauge Wheel Mount Frame
2	8400333	4	Gauge Wheel Mount Strap
3	8400334	4	Bolt Sleeve
4	8400335	2	Wheel Folk
5	8400336	2	Spindle
6	8400337	2	Adjustment Handle
7	8400338	2	Short Spacer
8	8400339	2	Long Spacer
9 & 10	2600813		Tire & Rim Assembly
9	2600026	2	Tire 20.5 x 8.0 x 10
10	2600631	2	Wheel 10" - 5 Bolt
11	2900107	2	Hub (Complete Assembly) CMPT 5 Bolt
12	2900108	2	Hub CMPT 5 Bolt
13	2900031	4	Seal/Wheel Hub (R407)
14	2900032	4	Cone/Wheel Hub (44643)
15	2900033	4	Cup/Wheel Hub (44610)
16	4800248	4	3/4" x 6" Hex Bolt
17	5000012	4	3/4" Lock Washer
18	4900004	4	3/4" Nut
19	4800144	8	5/8" x 6-1/2" Hex Bolt
20	5000003	8	5/8" Lock Washer
21	4900005	8	5/8" Nut
22	4800157	2	3/16" x 2" Cotter Pin
23	4900055	2	1" Castle Nut
24	4800107	2	1/8" Hair Pin
25	2500710	10	1/2" - 2 60° Cone Wheel Nut
26	8400348		Gauge Wheel Kit Complete

DRILL LIGHT KIT OPTION (77 & 107)



DRILL LIGHT KIT OPTION (77 & 107)

ITEM	PART NO.	QTY.	DESCRIPTION
1	4800277	8	BOLT\HEX\1/4X1
2	4900009	8	NUT\HEX\1/4\NC
3	5000024	8	WASH\LOCK\1/4
4	5700423	2	KIT\LIGHT
5	8400040	1	WALKWAY\100_SERIES
5	8400702	1	WALKWAY\77
6	8400739	4	PLT\MNT\LIGHT



