

**LELY**

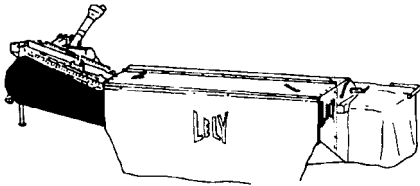
SPLENDIMO	type number type number numéro de type Typnummer	vanaf serienummer as from serial number après numéro de serie ab Seriennummer
240 LC	4.1240.0000.1	10303 - 0501
280 LC	4.1242.0000.1	10303 - 0501

**LC**

**Inhoud  
Contents  
Index  
Inhalt**

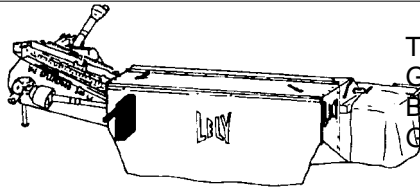
**SPLENDIMO LC**

**pagina  
page  
page  
Seite**



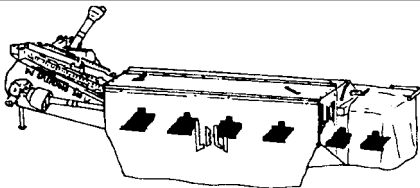
Snaaraandrijving  
V-belt drive  
Entraînement à courroies  
Keilriemenantrieb

01



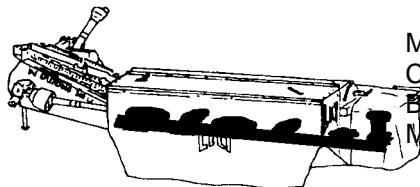
Tandwielkast  
Gearbox  
Boîte d'engrenages  
Getriebe

02



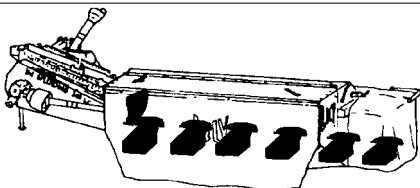
Maaielementen  
Cutting units  
Unités de fauchage  
Mäh-Einheiten

03



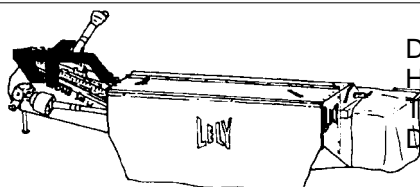
Maaibalk + slijtsloffen  
Cutter bar + wear skids  
Barre de coupe + patins d'usure  
Mähbalken + Verschleißkufen

04



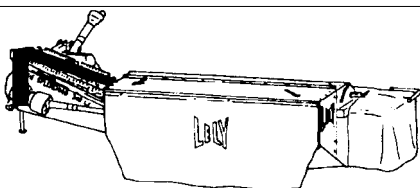
Glijtsloffen + maaibalkbescherming  
Skids + cutter bar protection  
Patins + protection barre  
Kufen + Mähwerkschutz

05



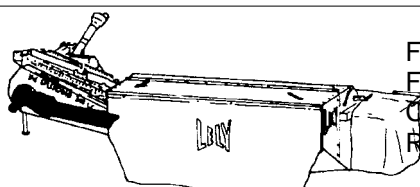
Driepuntsbok  
Headstock  
Tête d'attelage  
Dreipunktturm

06



Hydraulische cilinder  
Hydraulic ram  
Vérin hydraulique  
Hydraulikzylinder

07



Freem + uitslagbeveiliging  
Frame + anti-shock device  
Châssis + dispositif anti-choc  
Rahmen + Ausklinkvorrichtung

08

**LELY**

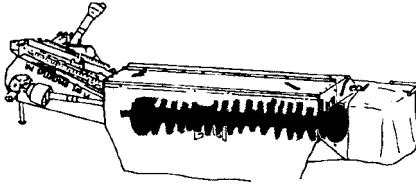
SPLENDIMO	type number type number numéro de type Typnummer	vanaf serienummer as from serial number après numéro de serie ab Seriennummer
240 LC	4.1240.0000.1	10303 - 0501
280 LC	4.1242.0000.1	10303 - 0501

**LC**

**Inhoud  
Contents  
Index  
Inhalt**

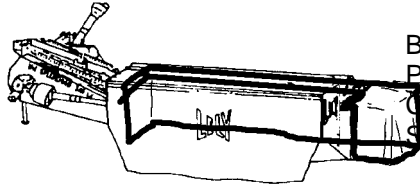
**SPLENDIMO LC**

**pagina  
page  
page  
Seite**



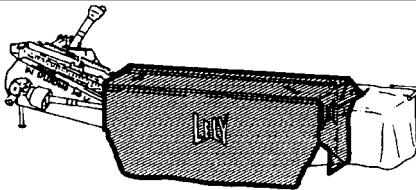
Rotor (platte kneusvingers)  
Rotor flat flails)  
Rotor (fléaux plats)  
Rotor (flache Schlegel)

09



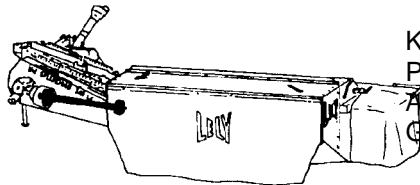
Beveiligingsfreem  
Protection frame  
Châssis de protection  
Schutzrahmen

10



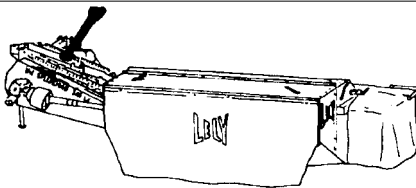
Kneuzerkap  
Conditioner hood  
Capot conditionneuse  
Aufbereiterhaube

11



Koppelingsas  
PTO shaft  
Arbre de transmission  
Gelenkwelle

12

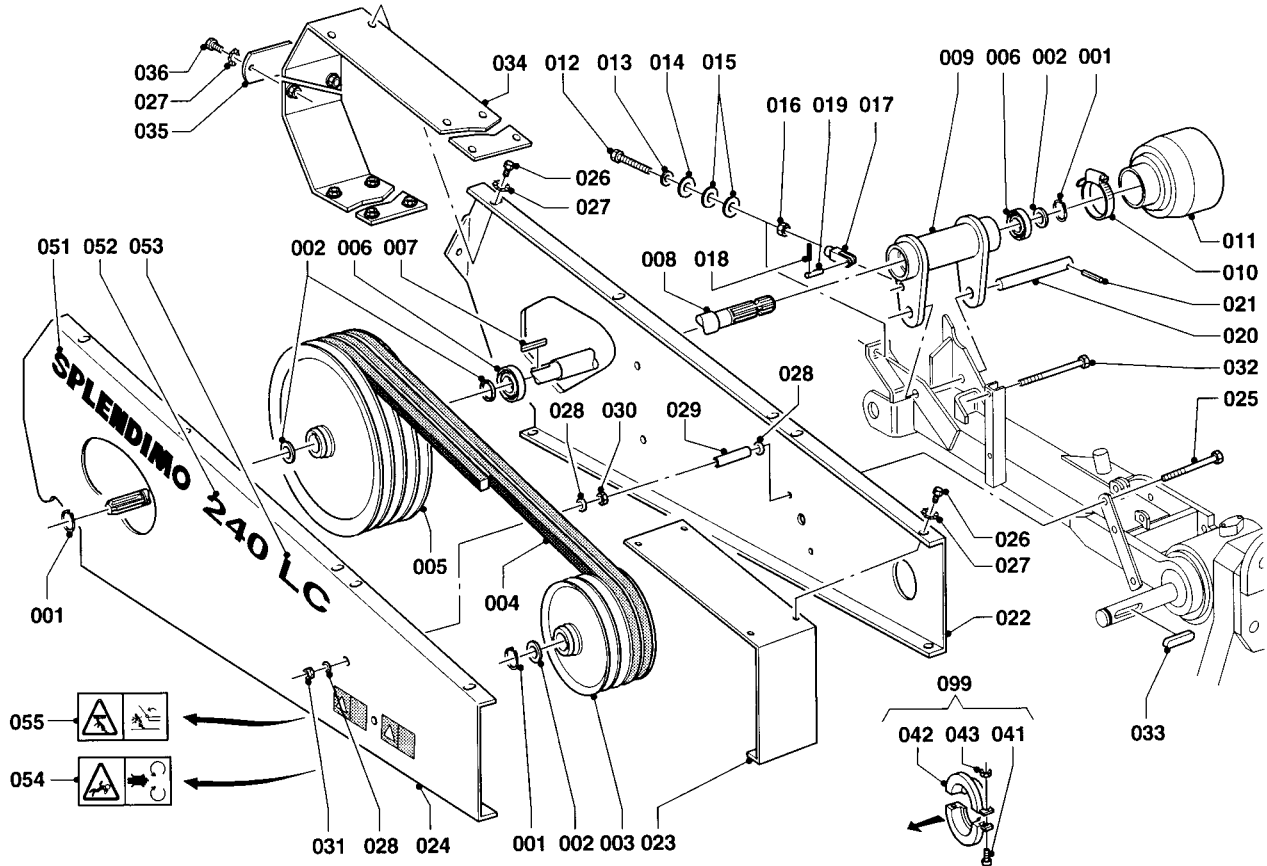
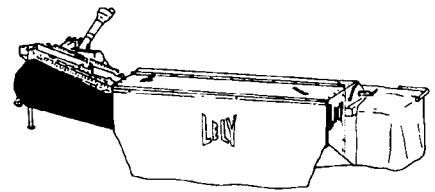


Koppelingsas  
PTO shaft  
Arbre de transmission  
Gelenkwelle

13



SPLENDIMO	type nummer type number numéro de type Typnummer	vanaf serienummer as from serial number après numéro de serie ab Seriennummer
240 LC	4.1240.0000.1	10304 - 0501
280 LC	4.1242.0000.1	10304 - 0501



E115-01-00

REF.	ONDERDEELNR. PART NUMBER REFERENCE TEILNUMMER	AANTAL QUANTITY QUANTITE ANZAHL	
------	--	--	--

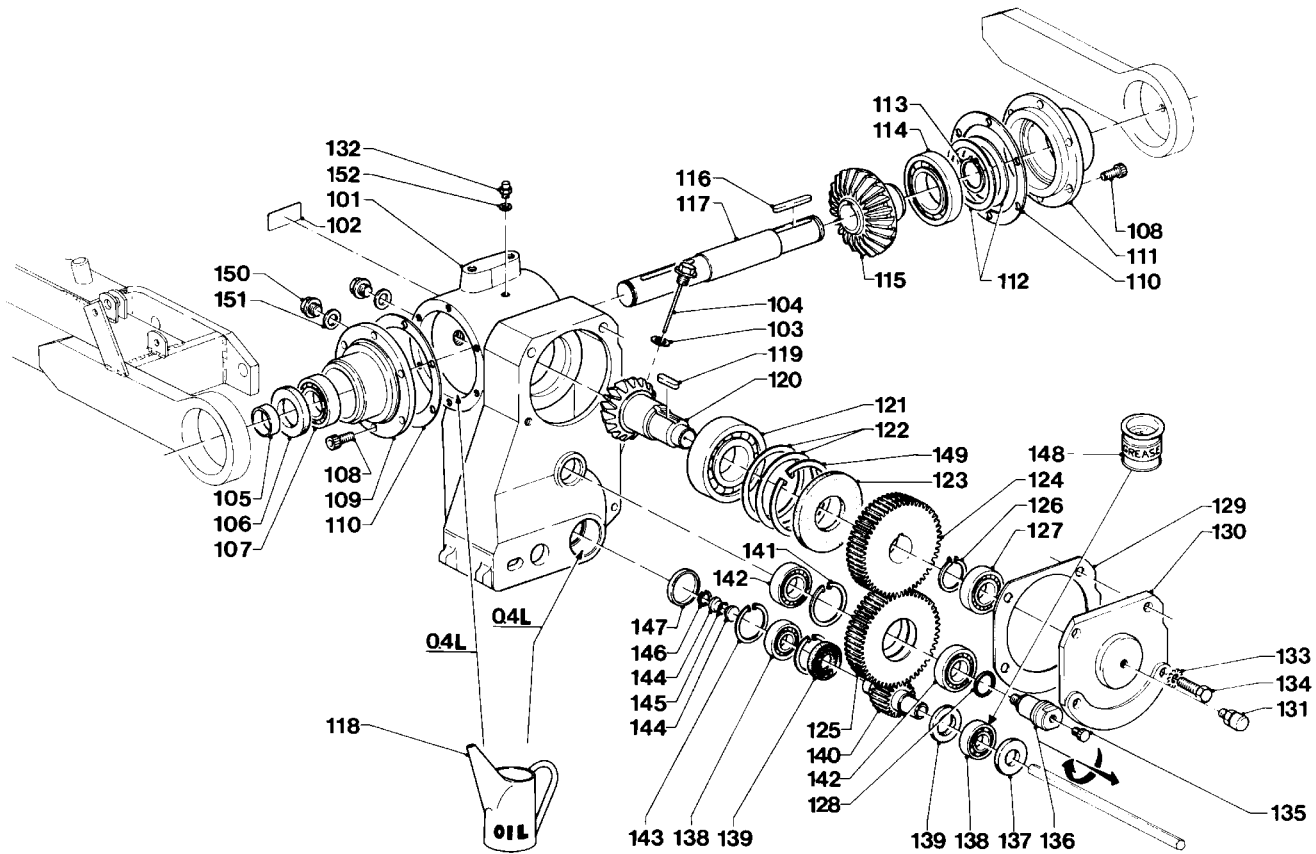
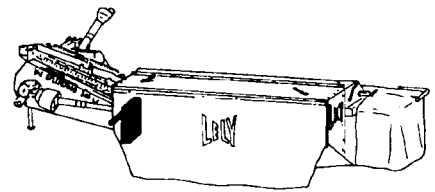
001	9.1119.0019.5	3	35x2,50 DIN 471
002	9.1052.0006*3	4	35x45x2,5 DIN 988
003	4.1203.1497.0	1	
004	9.1075.0003.5	4	SPB 2650
005	4.1203.0527.0	1	
006	9.1001.0025.3	2	6207 2RS
007	9.1071.0037.1	1	A10x8x80 DIN 6885
008	4.1207.0378.0	1	
009	4.1225.0420.0	1	
010	9.1066.0010*0	1	Ø70-90
011	9.1161.0028.0	1	
012	9.1113.0273*6	1	M12x90 DIN 933-10.9
013	9.1048.0012*6	1	A13 DIN 125 [ ]
014	9.1048.0041*0	1	A13 DIN 9021 [ ]
015	9.1048.0067.5	2	A13 DIN 9021 Nylon [ ]
016	9.1029.0008*0	1	M12 DIN 934-8
017	9.1038.0006*3	1	M12x48 DIN 71752
018	9.1070.0018.4	2	Ø6x40 DIN 1481
019	4.1201.1471.0	1	
020	4.1225.1494.0	1	
021	9.1070.0023.2	2	Ø8x50 DIN 1481
022	4.1207.0623.0	1	
023	4.1229.0170.0	1	
024	4.1207.0622.0	1	
025	9.1113.0292*4	2	M10x160 DIN 931-8.8

REF.	ONDERDEELNR. PART NUMBER REFERENCE TEILNUMMER	AANTAL QUANTITY QUANTITE ANZAHL	
------	--	--	--

026	9.1113.0267*0	18	M8x16 DIN 933-10.9
027	9.1051.0001*6	20	A8,2 DIN 6798 [ ]
028	9.1049.0018.4	12	Nylon [ ]
029	4.1229.1498.0	4	
030	9.1029.0005*4	4	M10 DIN 934-8
031	9.1030.0004*2	4	M10 DIN 985-8
032	9.1113.0143*2	2	M10x150 DIN 931-8.8
033	9.1071.0033.4	1	A10x8x70 DIN 6885
034	4.1207.0660.0	2	
035	4.1207.0624.0	1	
036	9.1113.0014*6	2	M8x20 DIN 933-8.8
041	9.1057.0003.2	2	M8x20 DIN 912-8.8
042	4.1201.2310.0	2	
043	9.1029.0004*3	2	M8 DIN 934-8
051	9.1170.0345.0	1	"SPLENDIMO"
052	9.1170.0348.3	1	"240"
	9.1170.0347.2	1	"280"
053	9.1170.0425.3	1	"LC"
054	9.1170.0407.6	1	
055	9.1170.0420.5	1	
099	4.1201.2300.0	1	= REF. 041-043 Hulpstuk voor pulley-trekker Attachment for pulley puller Access. d' extracteur-poulie Zubehör für Abzieher



SPLENDIMO	type nummer type number numéro de type Typnummer	vanaf serienummer as from serial number après numéro de serie ab Seriennummer
240 LC	4.1240.0000.1	10304 - 0501
280 LC	4.1242.0000.1	10304 - 0501



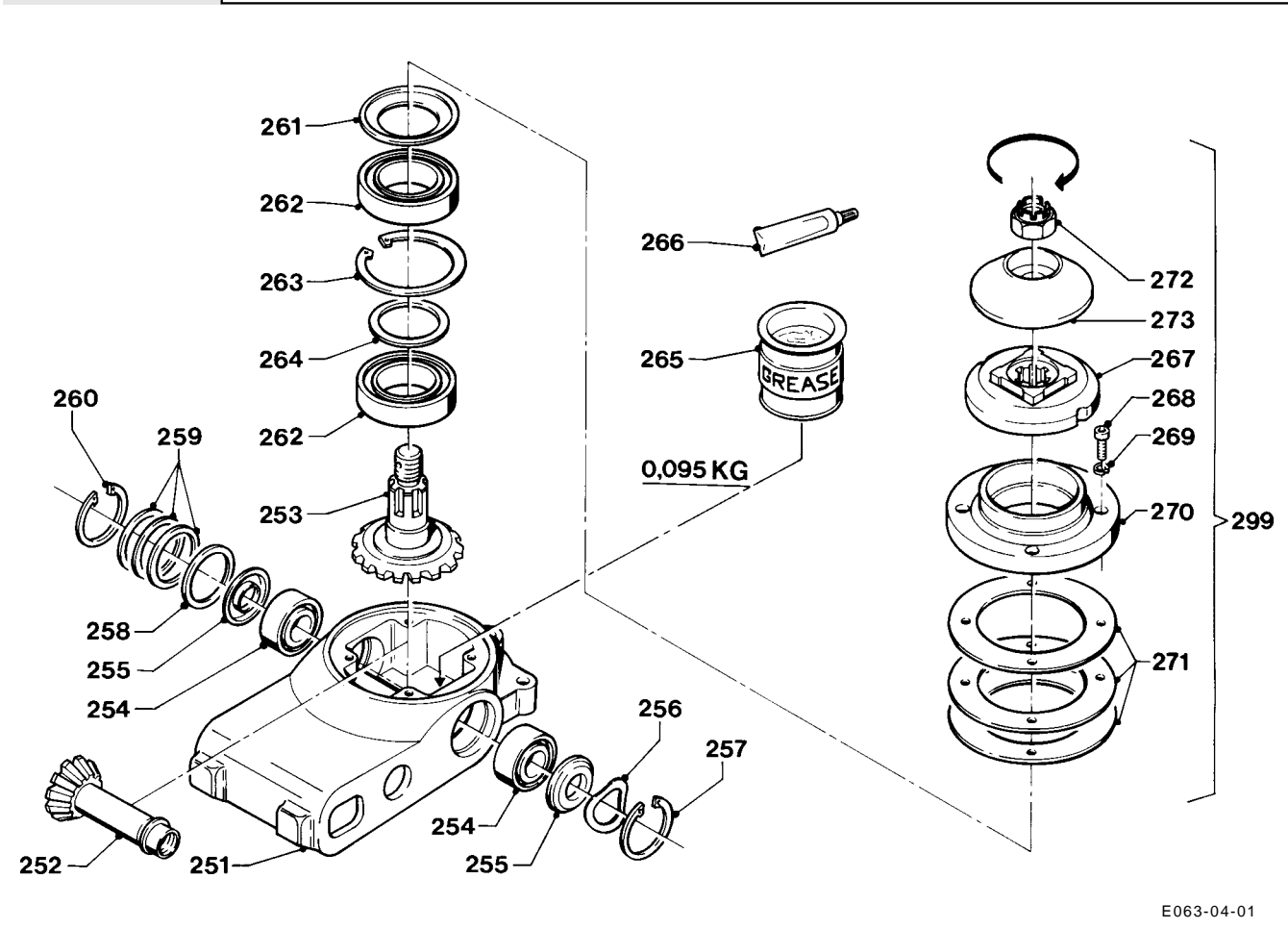
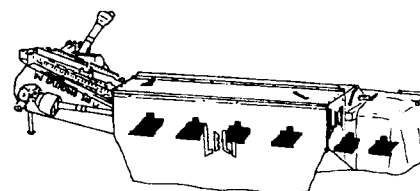
E078-03-01

REF.	ONDERDEELNR. PART NUMBER REFERENCE TEILNUMMER	AANTAL QUANTITY QUANTITE ANZAHL		
101	4.1225.0141.0	1		
102	9.1170.0352.0	1	"GX85W-140"(1L= REF. 118)	
103	9.1137.0406.3	1	Ø12,5x19x1,5 Cu	[ ]
104	4.1225.0231.0	1		
105	4.1220.0122.0	1		
106	9.1042.0066.3	1	40x72x10 CC NBR	[>]◀
107	9.1001.0130.3	1	6207 ETN9-C3	
108	9.1057.0010.2	12	M10x25 DIN 912-12.9	
109	4.1225.0139.0	1		
110	4.1225.0148.0	2	0,5 mm	
111	4.1225.0140.0	1		
112	4.1225.0142.0	(1)		[D+D]
113	9.1119.0019.5	1	35x2,50 DIN 471	
114	9.1001.0114.1	1	6211 C3	
115	4.1225.0151.0	1		
116	9.1071.0021.6	1	A10x8x63 DIN 6885	
117	4.1225.0135.0	1		
118	9.1171.0042.4	(0,4+0,4L)	1L GX85W-140 ESSO	
119	9.1071.0049.6	1	B12x8x30 DIN 6885	
120	4.1225.0137.0	1		
121	9.1001.0127.0	1	6212 C3	
122	4.1225.0143.0	(1)		[D+D]
123	9.1042.0080.3	1	60x110x13 CB	[>]◀
124	4.1225.0153.0	1		
125	4.1225.0154.0	1		
126	9.1119.0020.6	1	42x1,75 DIN 471	
127	9.1001.0107.1	1	6207 C3	

REF.	ONDERDEELNR. PART NUMBER REFERENCE TEILNUMMER	AANTAL QUANTITY QUANTITE ANZAHL		
128	9.1043.0044.1	1	OR 29,2x3,0	
129	4.1225.0145.0	1		
130	4.1225.0138.0	1		
131	9.1150.0011.1	1	G1/4" SLW 17	
132	9.1150.0012.2	1	G1/4" SLW 14	
133	9.1051.0005*3	2	A14,5 DIN 6798	[////]
134	9.1113.0142*1	2	M14x40 DIN 933-8.8	
135	9.1108.0034.3	1	G1/8"	
136	4.1225.0136.0	1	M14-L	
137	9.1042.0074.4	1	25x52x7 CB	[>]◀
138	9.1001.0129.2	2	6205 C5	
139	9.1042.0075.5	2	30x52x7 CB	[>]◀
140	4.1225.0155.0	1		
141	9.1120.0005.4	1	62x2,00 DIN 472	
142	9.1001.0063.6	2	6305 C4	
143	9.1120.0003.2	2	52x2,00 DIN 472	
144	4.1225.0144.0	2		
145	9.1043.0045.2	1	OR 14x2,0	
146	9.1120.0028.6	1	18x1,00 DIN 472	
147	9.1108.0079.0	1	Ø52x6,5	
148	9.1171.0050.5	(0,031 kg)	0,4 kg Unirex N3 ESSO	
149	9.1120.0016.1	1	110x4,00 DIN 472	
150	9.1131.0013.1	2	R1/2" DIN 910	
151	9.1137.0408.5	2	Ø21x26x1,5 Cu	[ ]
152	9.1137.0401.5	1	Ø14x20x1,5 Cu	[ ]
199	4.1225.0111.2	1	= REF. 101-152	



SPLENDIMO	type nummer type number numéro de type Typnummer	vanaf serienummer as from serial number après numéro de série ab Seriennummer
240 LC	4.1240.0000.1	10304 - 0501
280 LC	4.1242.0000.1	10304 - 0501



E063-04-01

REF.	ONDERDEELNR. PART NUMBER REFERENCE TEILNUMMER	AANTAL QUANTITY QUANTITE ANZAHL
------	--	--

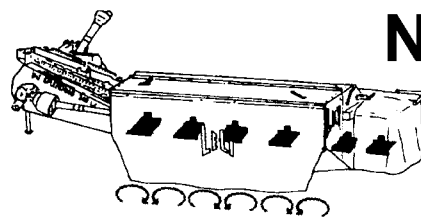
251	4.1220.0062.0	1	
252	4.1220.0056.0	1	
253	4.1220.0057.0	1	
254	9.1001.0064.0	2	6005 2RS1-C4
255	9.1107.0007.5	2	6005 ZJV
256	9.1049.0013.6	1	46,5x40-G 6005
257	9.1120.0027.5	1	47x1,75 V
258	4.1201.0061.0	1	
259	4.1220.0078.0	(1)	[D+D]
260	9.1120.0002.1	1	47x1,75 DIN 472
261	9.1107.0008.6	1	6009 ZAV
262	9.1001.0065.1	2	6009 2RS1-C4
263	9.1120.0026.4	1	75x3,00 DIN 472
264	9.1052.0004.1	1	45x55x3 DIN 988
265	9.1171.0039.1	(0,095 kg)	1 kg ALVANIA WR-0 SHELL
	9.1171.0040.2	(0,095 kg)	5 kg ALVANIA WR-0 SHELL
	9.1171.0041.3	(0,095 kg)	10 kg ALVANIA WR-0 SHELL
266	9.1171.0038.0	1	0,095 kg ALVANIA WR-0 SHELL
267	4.1225.0189.0	1	
268	9.1057.0003*2	4	M8x20 DIN 912-8.8
269	9.1121.0024*1	4	8 DIN 7980 [—]
270	4.1220.0061.0	1	
271	4.1220.0079.0	(1)	[D+D]
272	9.1031.0013.3	1	M18x1,5 DIN 937-22H
273	4.1201.1467.0	1	

REF.	ONDERDEELNR. PART NUMBER REFERENCE TEILNUMMER	AANTAL QUANTITY QUANTITE ANZAHL
------	--	--

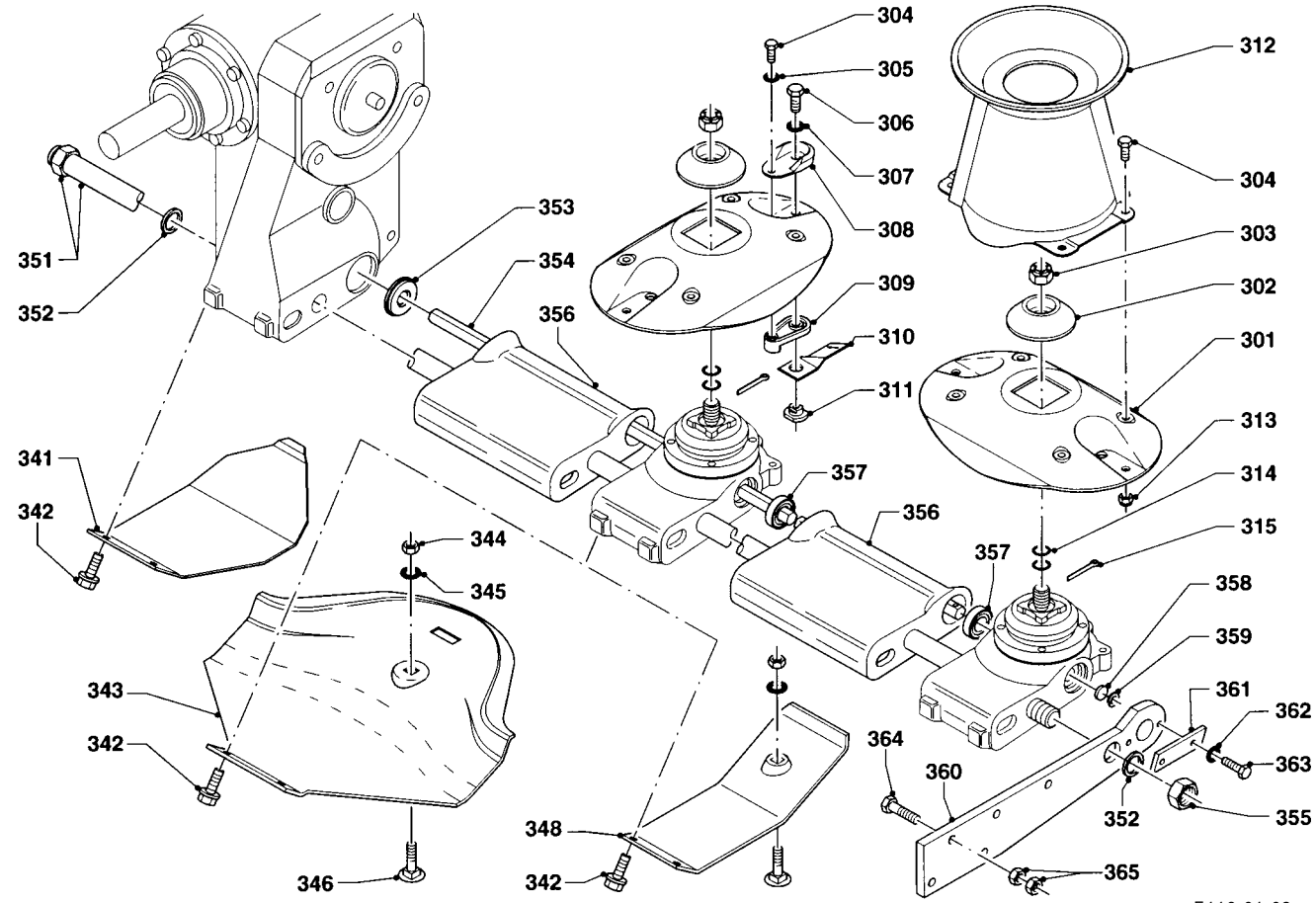
		240 280
298	4.1220.0072.1	3 3 = REF. 251-273 [LD][x]
299	4.1220.0052.1	3 4 = REF. 251-273 [RD]



SPLENDIMO	type nummer type number numéro de type Typnummer	vanaf serienummer as from serial number après numéro de serie ab Seriennummer
240 LCN	4.1240.0000.1	10304 - 0501
280 LCN	4.1242.0000.1	10304 - 0501



N



E116-01-02

REF.	ONDERDEELNR. PART NUMBER REFERENCE TEILNUMMER	AANTAL QUANTITY QUANTITE ANZAHL
------	--	--

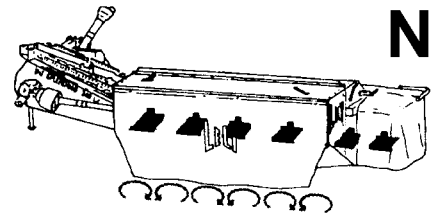
240 280		
301	4.1225.1489.0	6 7
302	4.1201.1467.0	(6) (7) (= REF. 273)
303	9.1031.0013.3	(6) (7) (= REF. 272) M18x1,5 DIN937
304	9.1113.0341*3	20 22 M8x20 DIN 933-10.9
305	9.1051.0001.6	12 14 A8,2 DIN 6798 [//////]
306	4.1240.0119.0	12 14
307	9.1051.0002.0	12 14 A10,5 DIN 6798 [//////]
308	4.1225.0449.0	12 14
309	4.1225.1485.0	12 14
310	4.1201.1474.0	6 8 [RD] L= 120 mm
	4.1201.1473.0	6 6 [LD] L= 120 mm
311	4.1220.1474.0	12 14
312	4.1225.0480.0	2 2
313	9.1030.0040*3	8 8 M8 DIN 985-10
314	9.1043.0054.4	12 14 OR 16x4
315	9.1072.0017.1	6 7 3x30 DIN 94
341	4.1225.0569.0	1 1
342	9.1114.0009*0	14 16 M10x30 8.8
343	4.1220.1963.0	6 7
344	9.1029.0005*4	6 7 M10 DIN 934-8
345	9.1051.0002.0	6 7 A10,5 DIN 6798 [//////]
346	9.1058.0015*6	6 7 M10x35 DIN 603-8.8
348	4.1220.1962.0	(6) (7)

REF.	ONDERDEELNR. PART NUMBER REFERENCE TEILNUMMER	AANTAL QUANTITY QUANTITE ANZAHL
------	--	--

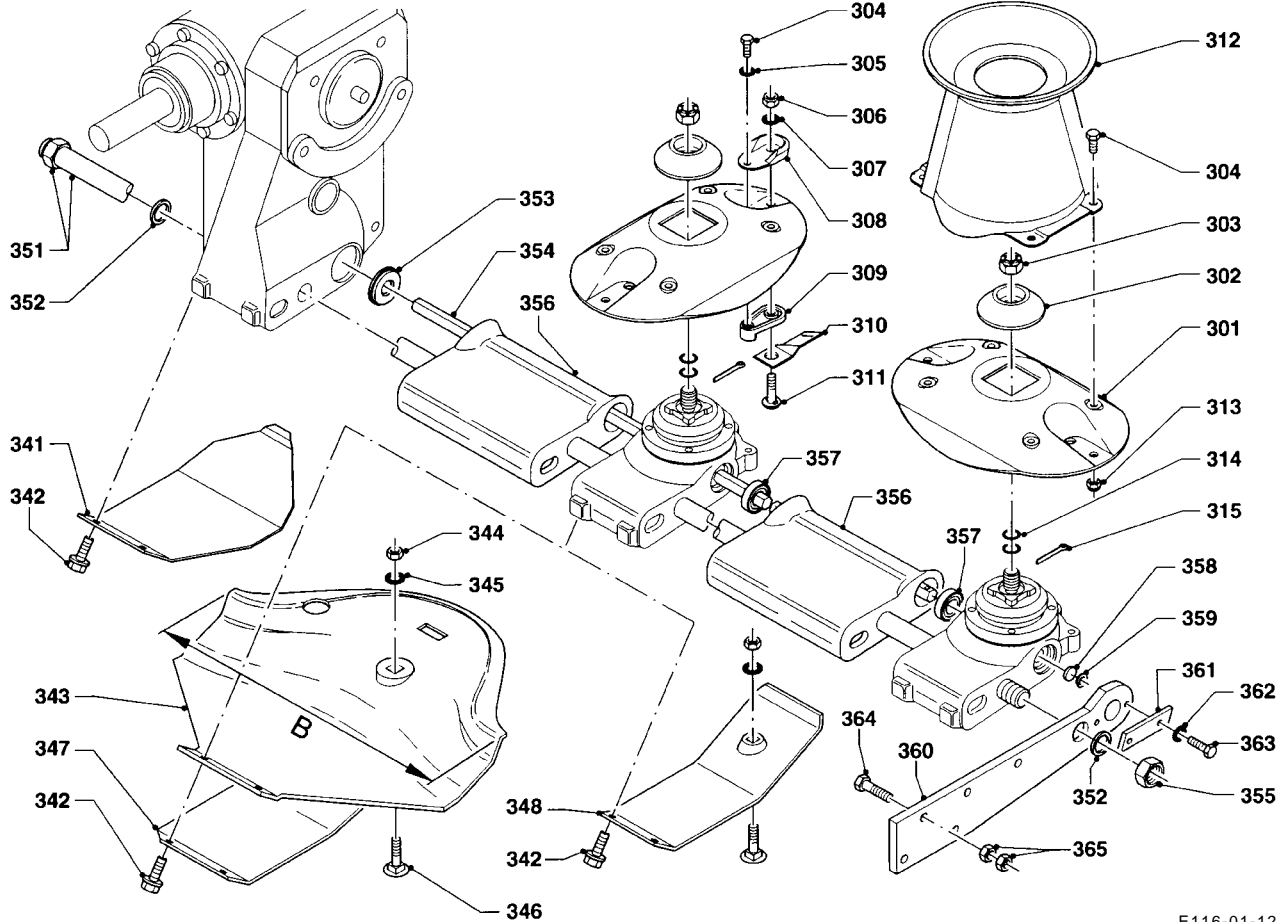
240 280		
351	4.1230.0110.0	1 -
	4.1229.0130.0	- 1
352	9.1052.0011*1	2 2 30x42x2,5 DIN 988 [____]
353	4.1225.0109.0	1 1
354	4.1230.0129.0	1 -
	4.1225.0179.0	- 1 L= 1547 mm [R]
	4.1229.0148.0	- 1 L= 1203 mm [L]
355	9.1029.0024*2	1 1 M30x1,5 DIN 934-8
356	4.1220.0033.0	6 6 L= 250 mm
	4.1229.0109.0	- 1 L= 285 mm
357	4.1201.0145.0	11 13
358	4.1201.0329.0	1 - L= 5 mm
	4.1225.0108.0	- 1 L= 18 mm
359	9.1120.0028.6	1 1 18x1,00 DIN 472
360	4.1220.0731.0	1 1
361	4.1220.0034.0	1 1
362	9.1051.0002.0	2 2 A10,5 DIN 6798 [//////]
363	9.1113.0027*5	2 2 M10x20 DIN 933-8.8
364	9.1113.0246*0	4 4 M14x55 DIN 931-8.8
365	9.1029.0012*4	8 8 M14 DIN 934-8



SPLENDIMO	type nummer type number numéro de type Typnummer	vanaf serienummer as from serial number après numéro de série ab Seriennummer
240 LCN	4.1240.0001A1	10404 - 0501
280 LCN	4.1242.0001A1	10404 - 0501



N



E116-01-12

REF.	ONDERDEELNR. PART NUMBER REFERENCE TEILNUMMER	AANTAL QUANTITY QUANTITE ANZAHL
------	--	--

240 280

301	4.1225.1489.0	6 7
302	4.1201.1467.0	(6) (7) (= REF. 273)
303	9.1031.0013.3	(6) (7) (= REF. 272) M18x1,5 DIN937
304	9.1113.0341*3	20 22 M8x20 DIN 933-10.9
305	9.1051.0001.6	12 14 A8,2 DIN 6798 [//////]
306	9.1030.0018*2	12 14 M10 DIN 985-10
307	9.1051.0002.0	12 14 A10,5 DIN 6798 [//////]
308	4.1225.0449.0	12 14
309	4.1201.0142.0	12 14
310	4.1201.1474.0	6 8 [RD] L= 120 mm
	4.1201.1473.0	6 6 [LD] L= 120 mm
311	4.1201.0141*0	12 14
312	4.1225.0480.0	2 2
313	9.1030.0040*3	8 8 M8 DIN 985-10
314	9.1043.0054.4	12 14 OR 16x4
315	9.1072.0017.1	6 7 3x30 DIN 94
341	4.1225.0569.0	1 1
342	9.1114.0009*0	14 16 M10x30 8.8
343	4.1220.1963.0	5 5 B= 378 mm
	4.1220.1961.0	1 2 B= 413 mm
344	9.1029.0005*4	6 7 M10 DIN 934-8
345	9.1051.0002.0	6 7 A10,5 DIN 6798 [//////]
346	9.1058.0015*6	6 7 M10x35 DIN 603-8.8
347	4.1220.1329.0	(6) (7)
348	4.1220.1962.0	(6) (7)

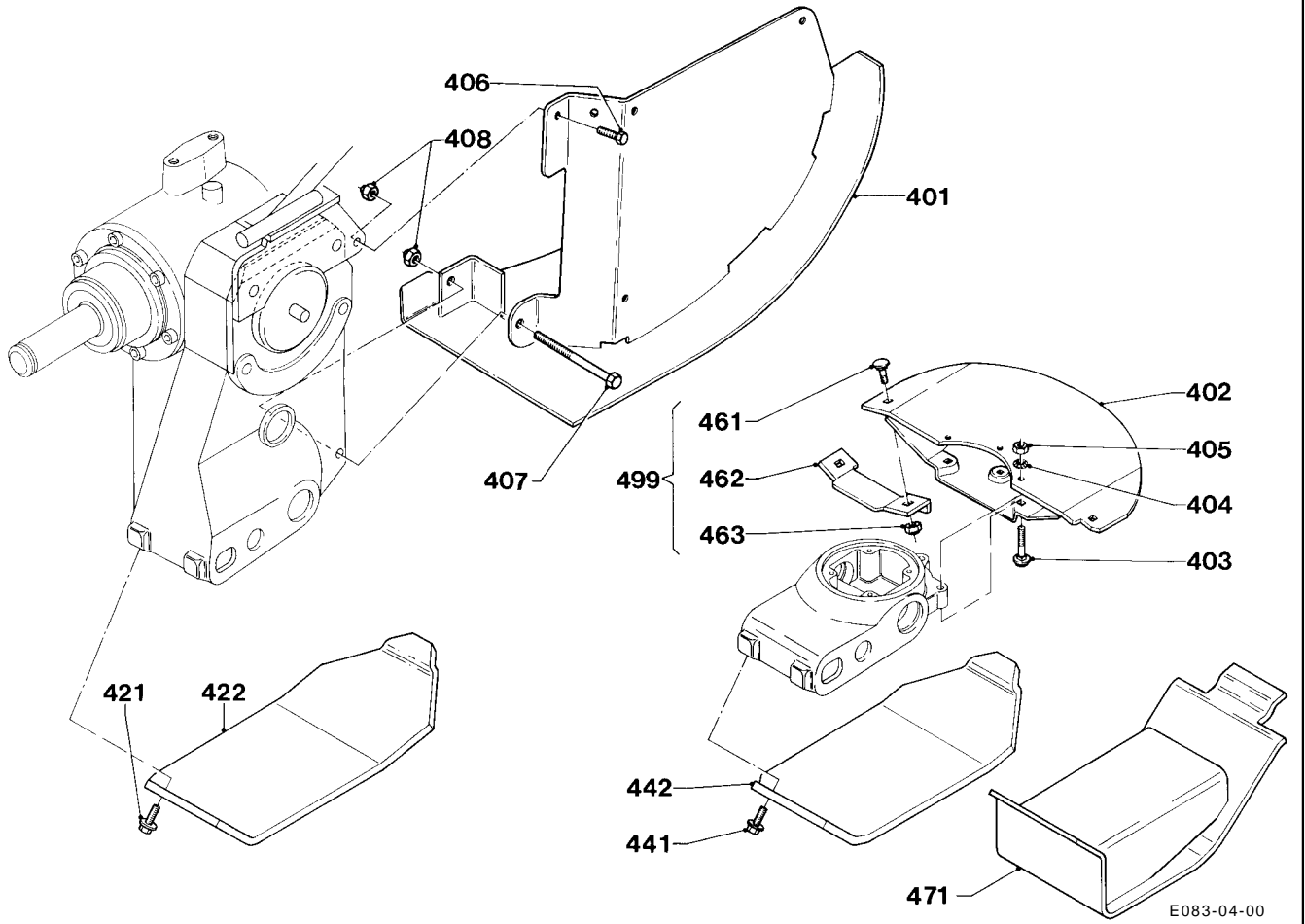
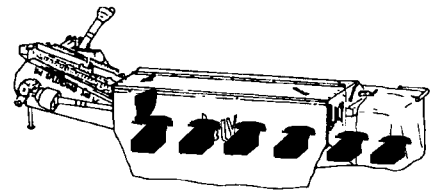
REF.	ONDERDEELNR. PART NUMBER REFERENCE TEILNUMMER	AANTAL QUANTITY QUANTITE ANZAHL
------	--	--

240 280

351	4.1240.0120.0	1 -
	4.1242.0120.0	- 1
352	9.1052.0011*1	2 2 30x42x2,5 DIN 988 [——]
353	4.1225.0109.0	1 1
354	4.1230.0129.0	1 -
	4.1225.0179.0	- 1 L= 1547 mm [R]
	4.1229.0148.0	- 1 L= 1203 mm [L]
355	9.1029.0024*2	1 1 M30x1,5 DIN 934-8
356	4.1220.0033.0	6 6 L= 250 mm
	4.1229.0109.0	- 1 L= 285 mm
357	4.1201.0145.0	11 13
358	4.1201.0329.0	1 - L= 5 mm
	4.1225.0108.0	- 1 L= 18 mm
359	9.1120.0028.6	1 1 18x1,00 DIN 472
360	4.1220.1330.0	1 1
361	4.1220.0034.0	1 1
362	9.1051.0002.0	2 2 A10,5 DIN 6798 [//////]
363	9.1113.0027*5	2 2 M10x20 DIN 933-8.8
364	9.1113.0246*0	4 4 M14x55 DIN 931-8.8
365	9.1029.0012*4	8 8 M14 DIN 934-8



SPLENDIMO	type nummer type number numéro de type Typnummer	vanaf serienummer as from serial number après numéro de serie ab Seriennummer
240 LC	4.1240.0000.1	10304 - 0501
280 LC	4.1242.0000.1	10304 - 0501



E083-04-00

REF.	ONDERDEELNR. PART NUMBER REFERENCE TEILNUMMER	AANTAL QUANTITY QUANTITE ANZAHL
------	--	--

240 280

401	4.1225.0251.0	1 1	
402	4.1220.0341.0	(6) (7)	
403	9.1058.0048*4	(6) (7) M10x40 DIN 603-8.8	
	9.1058.0049*5	(12) (14) M10x45 DIN 603-8.8	
404	9.1051.0002*0	(18) (21) A10,5 DIN 6798 [//////]	
405	9.1029.0005*4	(18) (21) M10 DIN 934-8	
406	9.1113.0120*0	1 1 M10x30 DIN 933-8.8	
407	9.1113.0043*0	1 1 M10x110 DIN 931-8.8	
408	9.1030.0004*2	2 2 M10 DIN 985-8	
421	9.1114.0009*0	(2) (2) M10x30 8.8	
422	4.1225.0509.0	(1) (1) 4 mm Slijtplaat	
	4.1225.0369.0	(1) (1) 10 mm Wearplate	
			Plaque d'usure
			Verschleissplatte
441	9.1114.0009*0	(6) (7) M10x30 8.8	
442	4.1225.0499.0	(6) (7) 4 mm Slijtplaten	
	4.1225.0359.0	(6) (7) 10 mm Wearplates	
			Plaques d'usure
			Verschleissplatten

REF.	ONDERDEELNR. PART NUMBER REFERENCE TEILNUMMER	AANTAL QUANTITY QUANTITE ANZAHL
------	--	--

240 280

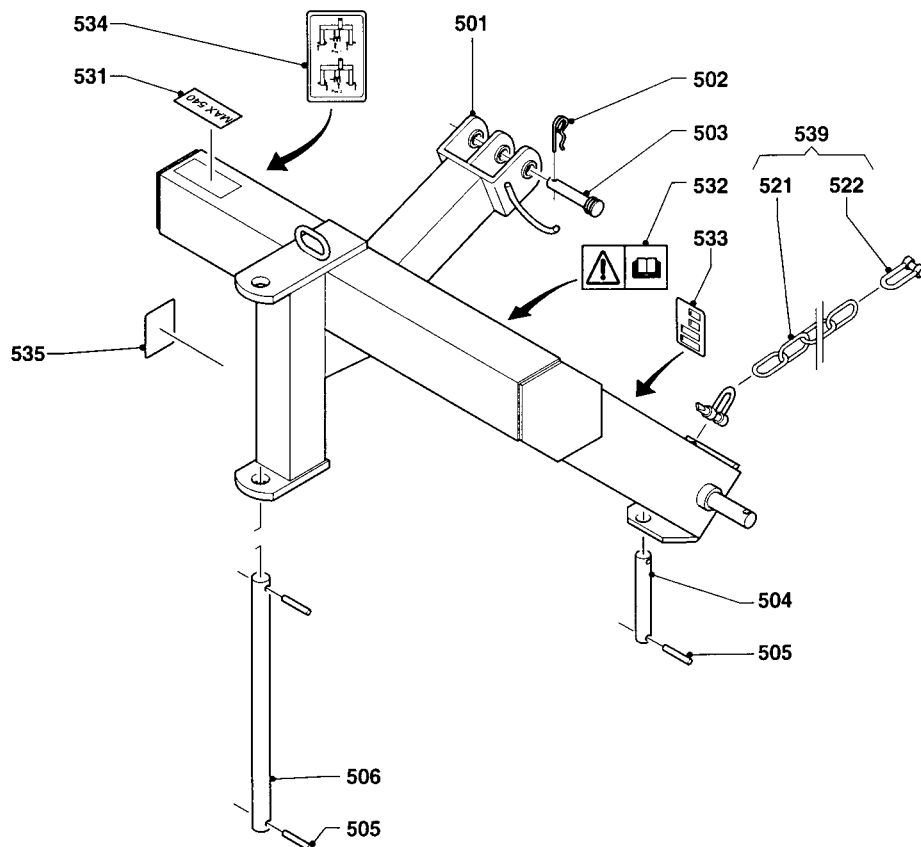
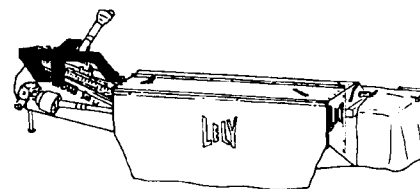
461	9.1058.0027*4	- (2) M10x25 DIN 603
462	4.1229.0250.0	- (1) [←160→]
463	9.1030.0004*2	- (2) M10 DIN 985-8
461	9.1058.0027*4	(2x 5) M10x25 DIN 603
462	4.1225.0550.0	(1x 5) [←125→]
463	9.1030.0004*2	(2x 5) M10 DIN 985-8
471	4.1225.0400.0	(3-5)(3-7)
499	4.1229.0240.8	- (1) = REF. 461-463 [←160→]
499	4.1225.0540.8	(5) (5) = REF. 461-463 [←125→]

Maaibalk-steenbescherming  
Cutter bar stone protection  
Jeu de protection anti-pierres  
Mähbalken-Steinschutzsatz



LELY

SPLENDIMO	type number type number numéro de type Typnummer	vanaf serienummer as from serial number après numéro de serie ab Seriennummer
240 LC	4.1240.0000.1	10304 - 0501
280 LC	4.1242.0000.1	10304 - 0501



E109-01-20

REF.	ONDERDEELNR. PART NUMBER REFERENCE TEILNUMMER	AANTAL QUANTITY QUANTITE ANZAHL
------	--	--

501	4.1220.0450.0	1
502	9.1124.0004*6	1
503	9.1088.0005.1	1
504	4.1208.1496.0	1
505	9.1070.0028.0	4
506	4.1207.0611.0	1

521	9.1144.0018*0	(1)
522	9.1146.0005*6	(2)

REF.	ONDERDEELNR. PART NUMBER REFERENCE TEILNUMMER	AANTAL QUANTITY QUANTITE ANZAHL
------	--	--

531	9.1170.0125.4	1
532	9.1170.0408.0	1
533	9.1170.0430.1	1
534	9.1170.0431.2	1

535	9.1170.0281.6	1
-----	---------------	---

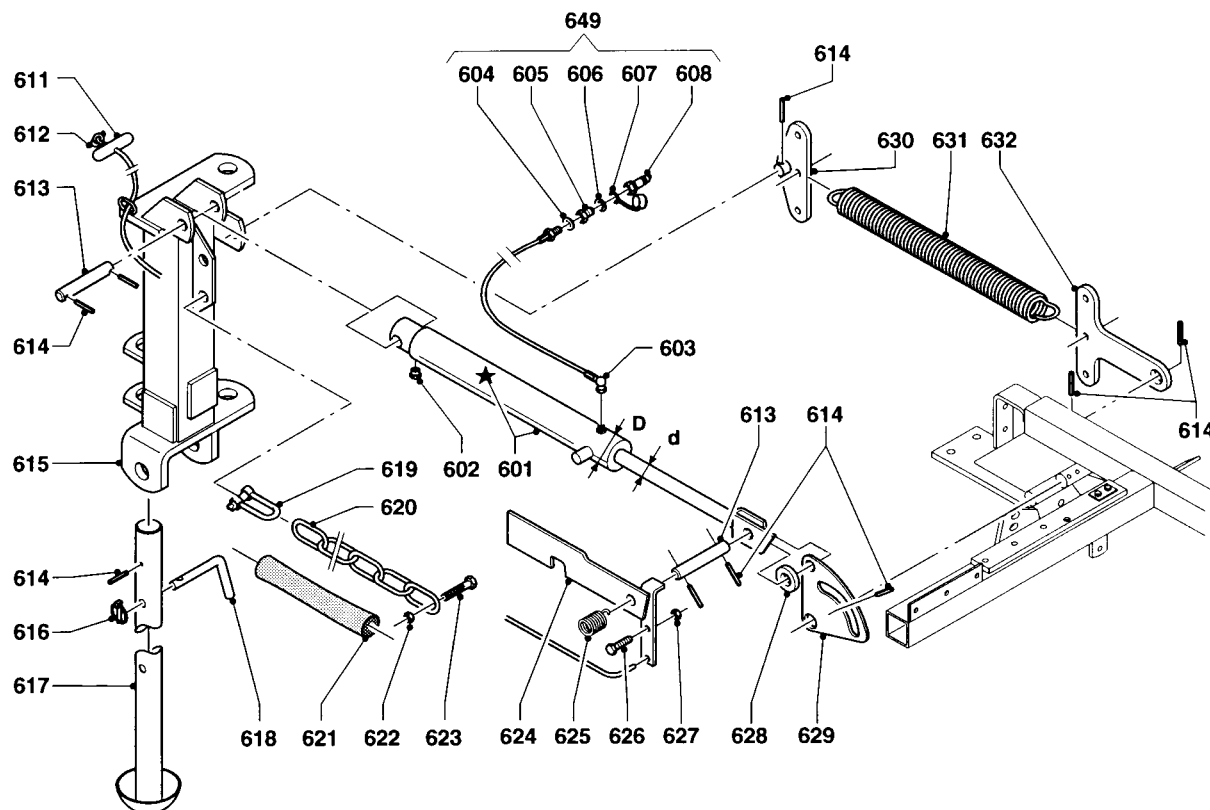
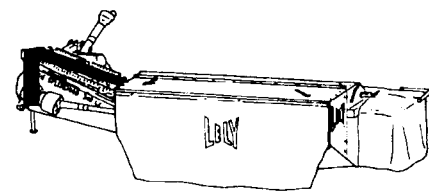
"Maaihoogte 22" 55 cm"  
"Mowing height 22" 55 cm"  
"Hautr. de fauchage 55 cm"  
"Mähhöhe 22" 55 cm"

539	4.1203.2080.0	(1)
-----	---------------	-----

= REF. 521+522



SPLENDIMO	type number type number numéro de type Typnummer	vanaf serienummer as from serial number après numéro de serie ab Seriennummer
240 LC	4.1240.0000.1	10304 - 0501
280 LC	4.1242.0000.1	10304 - 0501



E112-01-00

REF.	ONDERDEELNR. PART NUMBER REFERENCE TEILNUMMER	AANTAL QUANTITY QUANTITE ANZAHL	
------	--	--	--

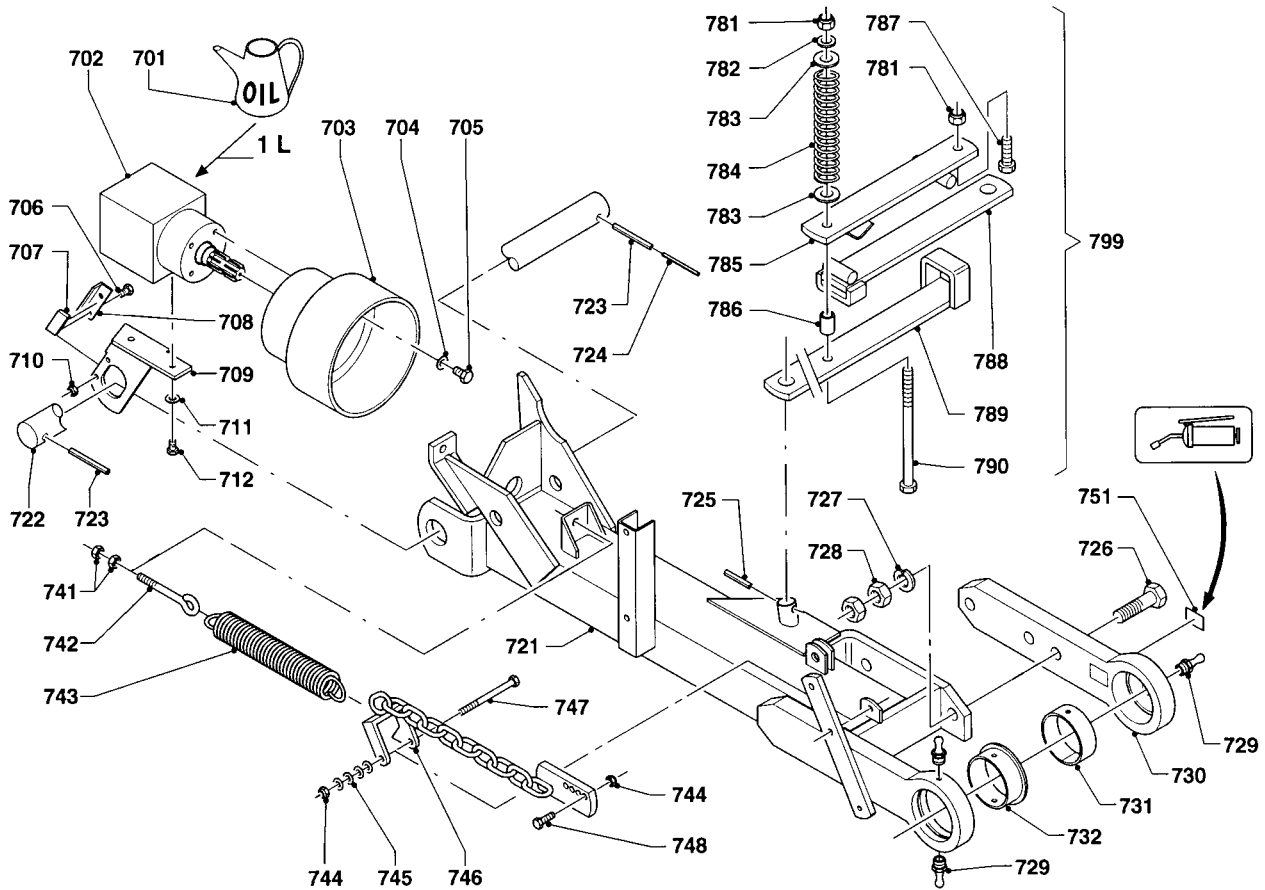
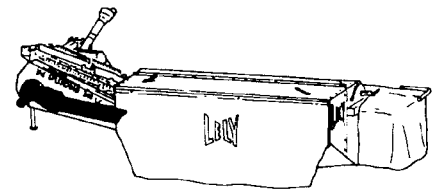
601	4.1207.0392.0	1	(401= 401+ ★ +402)
★	4.1207.0399.0	(1)	(d= Ø35, D= Ø60/70) [A+A][x]
602	9.1150.0004.1	(1)	M14x1,5
603	4.1016.0530.0	1	L= 2060 mm
604	9.1137.0401.5	1	Ø14x20x1,5 Cu [—]
605	9.1137.0603.4	1	1/2"-1/4"
606	9.1137.0402.6	1	Ø22x29x1,5 Cu [—]
607	9.1137.0302.4	1	1/2" G
608	9.1137.0303.5	1	1/2" PVC
611	2.3201.0328.0	1	
612	4.1201.1462.0	1	Ø6x4m (1m= 9.1163.0004.2)
613	4.1207.0613.0	2	
614	9.1070.0023.2	9	Ø8x50 DIN 1481
615	4.1207.0462.0	1	
616	9.1123.0003*6	1	Ø6
617	4.1207.0250.0	1	
618	4.1003.0142.0	1	
619	9.1146.0006*0	1	
620	4.1207.0609.0	1	16x(8x52)
621	4.1207.0615.0	1	
622	9.1030.0013*4	1	M12 DIN 985-8
623	9.1113.0118*5	1	M12x40 DIN 933-8.8
624	4.1207.0542.0	1	
625	4.1006.0075.0	1	

REF.	ONDERDEELNR. PART NUMBER REFERENCE TEILNUMMER	AANTAL QUANTITY QUANTITE ANZAHL	
------	--	--	--

626	9.1113.0117*4	1	M10x35 DIN 933-8.8
627	9.1030.0004*2	1	M10 DIN 985-8
628	4.1207.0548.0	1	
629	4.1240.1480.0	1	
630	4.1207.0631.0	1	
631	4.1207.0616.0	3	
632	4.1207.0604.0	1	
649	2.3201.2312.8	1	= REF. 604-608



SPLENDIMO	type nummer type number numéro de type Typnummer	vanaf serienummer as from serial number après numéro de serie ab Seriennummer
240 LC	4.1240.0000.1	10304 - 0501
280 LC	4.1242.0000.1	10304 - 0501



E113-01-00

REF.	ONDERDEELNR. PART NUMBER REFERENCE TEILNUMMER	AANTAL QUANTITY QUANTITE ANZAHL	
------	--	--	--

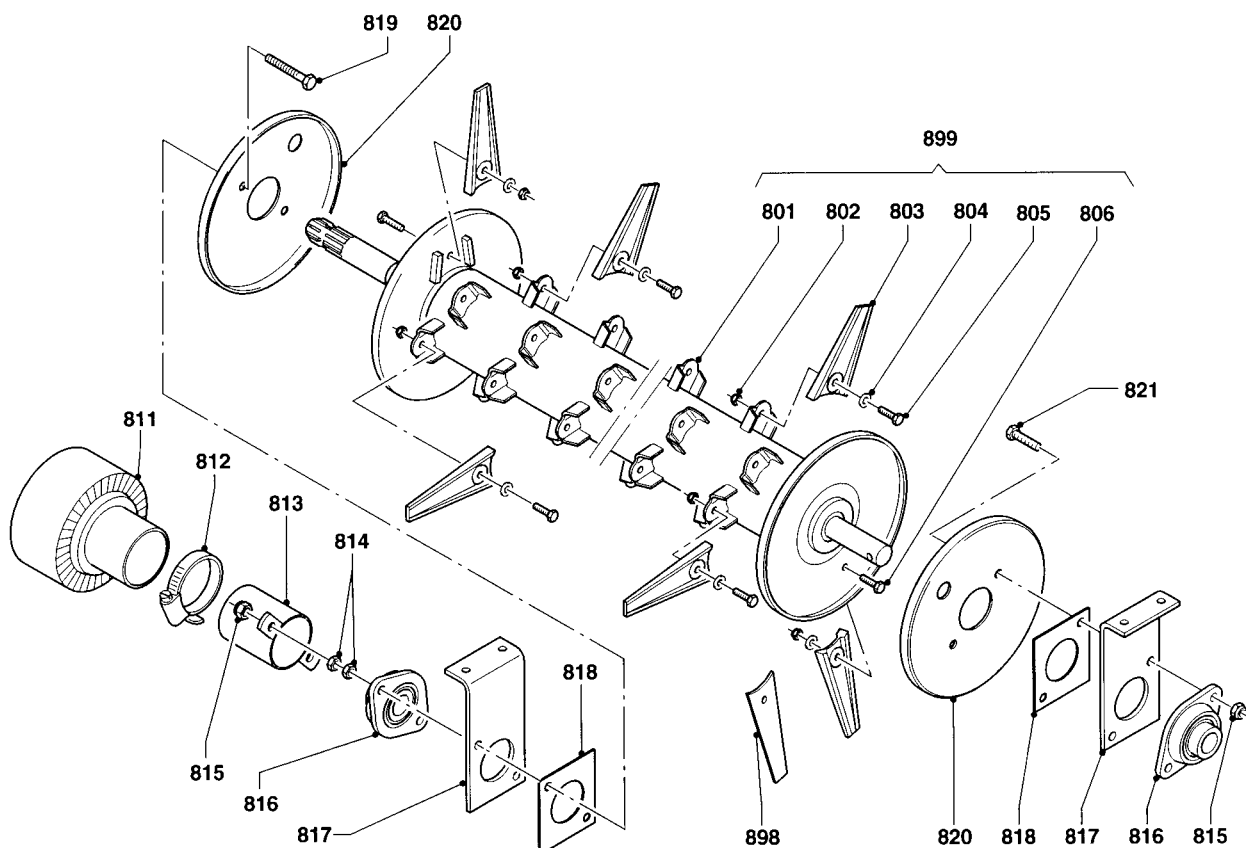
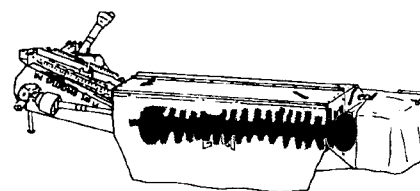
701	9.1171.0042.4	(1 L)	1 L GX 85W-140 ESSO
702	9.1083.0024.4	1	
703	4.1240.1479.0	1	
704	9.1048.0004*5	4	A8,4 DIN 125 [ ]
705	9.1113.0014*6	4	M8x20 DIN 933-8.8
706	9.1113.0117*4	2	M10x35 DIN 933-8.8
707	4.1207.1494.0	1	
708	4.1207.1495.0	1	
709	4.1240.1481.0	1	
710	9.1030.0004*2	2	M10 DIN 985-8
711	9.1051.0003*1	2	A12,5 DIN 6798 [ ]
712	9.1113.0047*4	2	M12x20 DIN 933-8.8
721	4.1225.0241.0	1	
722	4.1207.0605.0	1	
723	9.1070.0038.3	3	Ø10x75 DIN 1481
724	9.1070.0062.6	1	Ø6x75 DIN 1481
725	9.1070.0028.0	1	Ø10x60 DIN 1481
726	9.1113.0094*2	3	M20x90 DIN 931-8.8
727	9.1121.0014*5	3	A20 DIN 127 [ ]
728	9.1029.0016*1	6	M20 DIN 934-8
729	9.1068.0007*2	3	AM8x1,25
730	4.1207.0580.0	1	
731	4.1201.1482.0	1	
732	4.1207.0620.0	1	

REF.	ONDERDEELNR. PART NUMBER REFERENCE TEILNUMMER	AANTAL QUANTITY QUANTITE ANZAHL	
------	--	--	--

741	9.1029.0008*0	2	M12 DIN 934-8
742	1.1633.1495.0	1	
743	4.1201.1481.0	1	
744	9.1030.0004*2	3	M10 DIN 985-8
745	9.1048.0007*1	6	A10,5 DIN 125 [ ]
746	4.1233.0170.0	1	
747	9.1113.0044*1	1	M10x120 DIN 931-8.8
748	9.1113.0117*4	2	M10x35 DIN 933-8.8
751	9.1170.0205.0	3	"Smeerpunt" "Greasing point" "Point de graissage" "Schmierstelle"
781	9.1030.0015*6	2	M14 DIN 985-8
782	9.1048.0053*5	1	A15 DIN 125 [ ]
783	9.1091.0008*1	2	40x14,3x1,5 DIN 2093
784	4.1203.0219.0	1	
785	4.1219.0111.0	1	
786	4.1219.0098.0	1	
787	9.1113.0178*2	1	M14x35 DIN 933-10.9
788	4.1219.0121.0	1	
789	4.1219.0130.0	1	
790	9.1113.0161*6	1	M14x260 DIN 931-8.8
799	4.1229.0190.0	1	= REF. 781-790



SPLENDIMO	type number type number numéro de type Typnummer	vanaf serienummer as from serial number après numéro de serie ab Seriennummer
240 LC	4.1240.0000.1	10304 - 0501
280 LC	4.1242.0000.1	10304 - 0501



E114-01-00

REF.	ONDERDEELNR. PART NUMBER REFERENCE TEILNUMMER	AANTAL QUANTITY QUANTITE ANZAHL
------	--	--

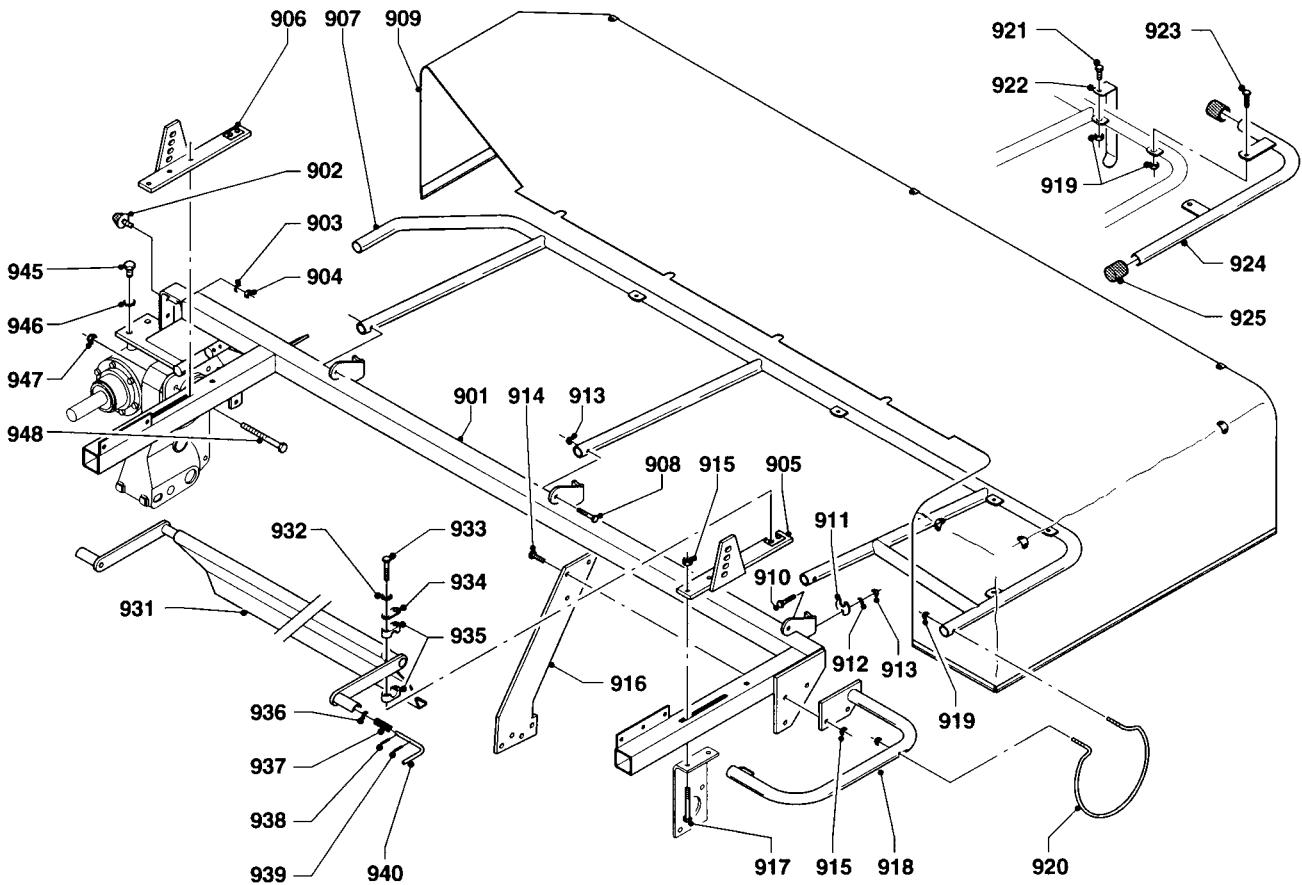
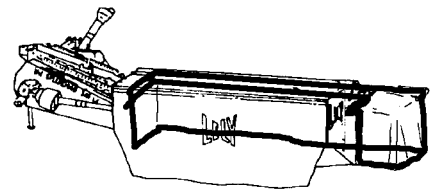
240 280		
801	4.1207.0230.0 4.1217.0040.0	1 - - 1
802	9.1030.0004*2	84 100
803	4.1207.0228.0	84 100
804	9.1048.0008*2	84 100
805	9.1113.0029*0	82 98
806	9.1113.0120*0	2 2
811	9.1161.0028.0	1
812	9.1066.0010*0	1
813	4.1207.0071.0	1
814	9.1029.0012*4	4
815	9.1030.0015*6	4
816	9.1008.0018.3	2
817	4.1240.1499.0	2
818	4.1240.1491.0	2
819	9.1113.0300*5	2
820	4.1207.0229.0	2
821	9.1113.0246*0	2

REF.	ONDERDEELNR. PART NUMBER REFERENCE TEILNUMMER	AANTAL QUANTITY QUANTITE ANZAHL
------	--	--

898	4.1207.0269.0	(1)	1x [R] Mes-kneusvinger 1x [R] Knife flail 1x [R] Fléau à couteau 1x [R] Messerschlegel
899	4.1240.0360.0	1	= REF. 801-806 240 LC
899	4.1242.0350.0	1	= REF. 801-806 280 LC



SPLENDIMO	type nummer type number numéro de type Typnummer	vanaf serienummer as from serial number après numéro de serie ab Seriennummer
240 LC	4.1240.0000.1	10304 - 0501
280 LC	4.1242.0000.1	10304 - 0501



E111-01-00

REF.	ONDERDEELNR. PART NUMBER REFERENCE TEILNUMMER	AANTAL QUANTITY QUANTITE ANZAHL	240	280
------	--	--	-----	-----

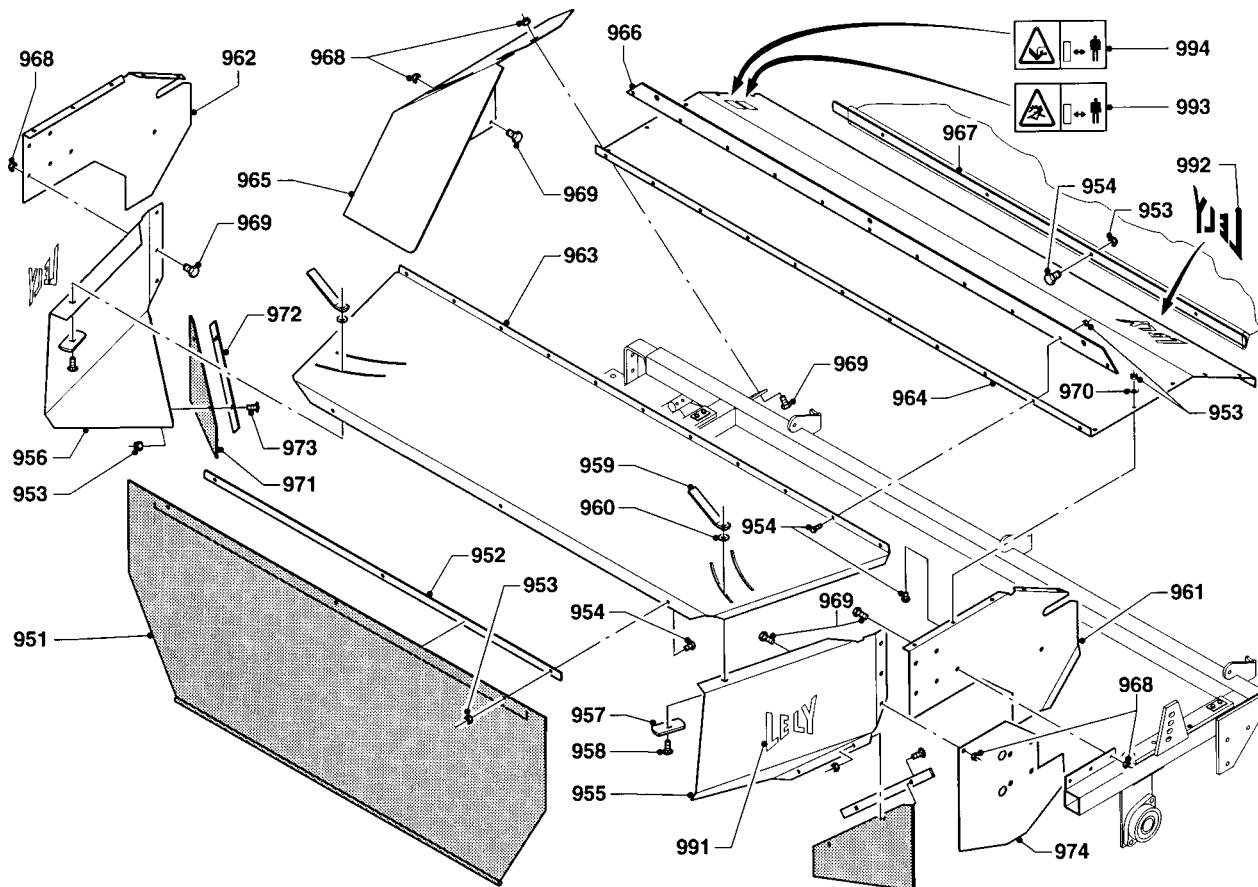
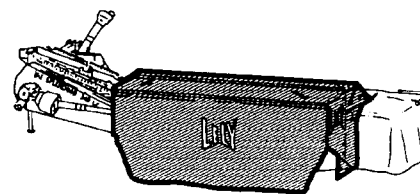
901	4.1240.0310.0	1	-	
	4.1242.0310.0	-	1	
902	9.1105.0011.4	2	2	M10x28
903	9.1051.0002*0	2	2	A10,5 DIN 6798 [////]
904	9.1029.0005*4	2	2	M10 DIN 934-8
905	4.1240.0320.0	1	1	[R]
906	4.1240.0330.0	1	1	[L]
907	4.1203.0543.0	1	-	
	4.1210.0542.0	-	1	
908	9.1113.0036*0	2	3	M10x55 DIN 931-8.8
909	4.1240.1485.0	1	-	
	4.1242.1495.0	-	1	
910	9.1113.0117*4	1	1	M10x35 DIN 933-8.8
911	4.1225.1486.0	1	1	
912	9.1048.0007*1	1	1	A10,5 DIN 125 [—]
913	9.1030.0004*2	4	4	M10 DIN 985-8
914	9.1113.0054*4	3	3	M12x45 DIN 933-8.8
915	9.1030.0013*4	9	9	M12 DIN 985-8
916	4.1240.1492.0	1	1	
917	9.1113.0136*2	6	6	M12x100 DIN 931-8.8
918	4.1240.0350.0	1	1	
919	9.1030.0012*3	7	8	M8 DIN 985-8
920	4.1210.1496.0	1	1	
921	9.1113.0014*6	3	4	M8x20 DIN 933-8.8
922	4.1211.0287.0	3	4	

REF.	ONDERDEELNR. PART NUMBER REFERENCE TEILNUMMER	AANTAL QUANTITY QUANTITE ANZAHL	240	280
------	--	--	-----	-----

923	9.1113.0128*1	2		M8x25 DIN 933-8.8
924	4.1221.0300.0	1		
925	9.1108.0059.1	2		Ø34
931	4.1240.0340.0	1		240 LC
	4.1242.0340.0	1		280 LC
932	9.1051.0006*4	4		A6,4 DIN 6798 [////]
933	9.1113.0181*5	4		M6x50 DIN 931-8.8
934	9.1137.0905.5	2		
935	9.1137.0904.4	2		Cpl.
936	9.1048.0012*6	2		A13 DIN 125 [—]
937	4.1002.0093.0	2		
938	9.1070.0049.0	2		Ø6x24 DIN 1481
939	9.1070.0017.3	2		Ø6x30 DIN 1481
940	4.1207.0188.0	2		
945	9.1113.0119.6	2		M14x30 DIN 933-10.9
946	9.1051.0005*3	2		A14,5 DIN 6798 [////]
947	9.1030.0015*6	2		M14 DIN 985-8
948	9.1113.0280.6	2		M14x120 DIN 931-10.9



SPLENDIMO	type number type number numéro de type Typnummer	vanaf serienummer as from serial number après numéro de serie ab Seriennummer
240 LC	4.1240.0000.1	10304 - 0501
280 LC	4.1242.0000.1	10304 - 0501



E110-01-00

REF.	ONDERDEELNR. PART NUMBER REFERENCE TEILNUMMER	AANTAL QUANTITY QUANTITE ANZAHL
------	--	--

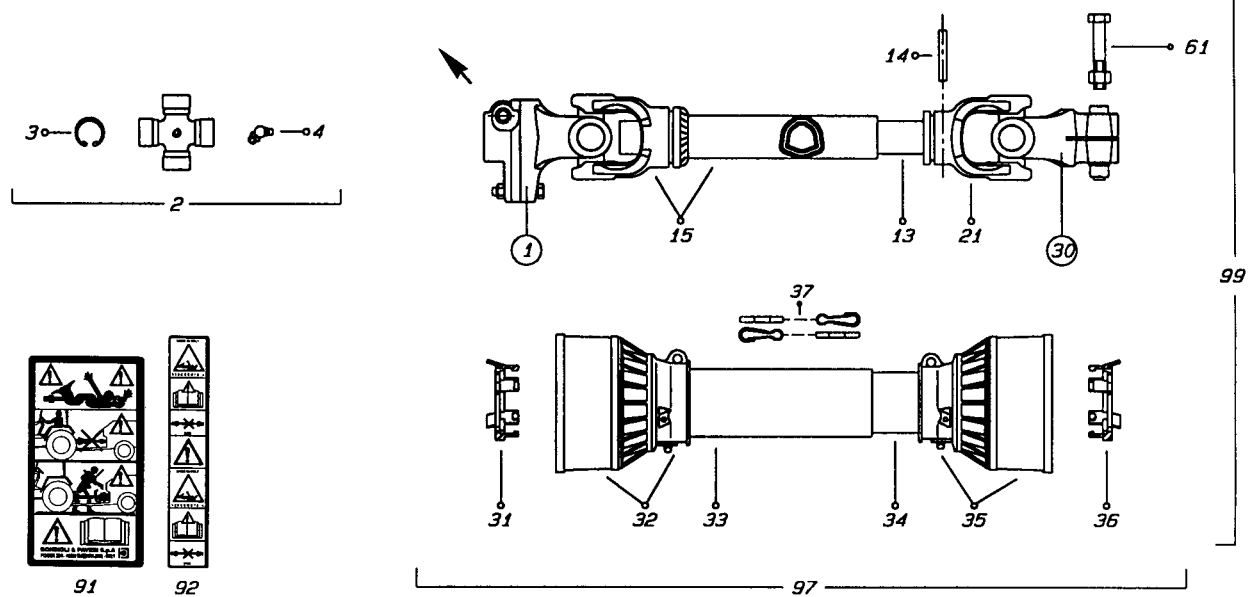
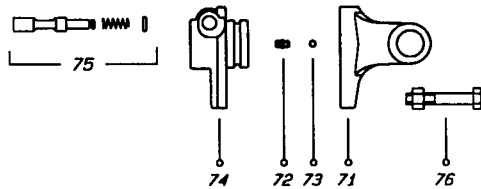
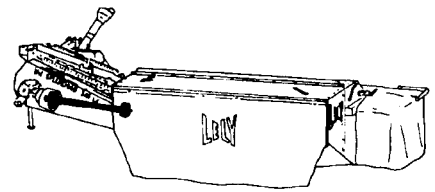
REF.	ONDERDEELNR. PART NUMBER REFERENCE TEILNUMMER	AANTAL QUANTITY QUANTITE ANZAHL
------	--	--

240 280		
951	4.1240.1488.0	1 -
	4.1242.1493.0	- 1
952	4.1217.0117.0	1 -
	4.1242.1494.0	- 1
953	9.1030.0012*3	32 34 M8 DIN 985-8
954	9.1113.0014*6	28 30 M8x20 DIN 933-8.8
955	4.1240.1498.0	1 - [R]
	4.1242.1497.0	- 1 [R]
956	4.1240.1487.0	1 - [L]
	4.1242.1496.0	- 1 [L]
957	4.1208.0292.0	2 2
958	9.1058.0018*2	2 2 M12x30 DIN 603
959	4.1207.0184.0	2 2
960	9.1048.0041*0	2 2 A13 DIN 9021 [ ]
961	4.1240.1494.0	1 1 [R]
962	4.1240.1486.0	1 1 [L]
963	4.1240.1489.0	1 -
	4.1242.1498.0	- 1
964	4.1240.1495.0	1 -
	4.1242.1499.0	- 1
965	4.1240.1482.0	1 1
966	4.1207.0193.0	1 -
	4.1217.0111.0	- 1
967	4.1240.1490.0	1 -
	4.1242.1491.0	- 1

968	9.1030.0004*2	18 M10 DIN 985-8
969	9.1113.0029*0	18 M10x25 DIN 933-8.8
970	9.1048.0004*5	10 A8,4 DIN 125 [ ]
971	4.1240.1496.0	2
972	4.1240.1497.0	2
973	9.1058.0008*6	4 M8x20 DIN 603
974	4.1240.1493.0	2
991	9.1170.0001.6	2 "LELY"
992	9.1170.0113.6	1 "LELY"
993	9.1170.0410.2	1
994	9.1170.0419.4	1



SPLENDIMO	type nummer type number numéro de type Typnummer	vanaf serienummer as from serial number après numéro de série ab Seriennummer
240 LC	4.1240.0000.1	10304 - 0501
280 LC	4.1242.0000.1	10304 - 0501



Eb002-01-00

REF.	ONDERDEELNR. PART NUMBER REFERENCE TEILNUMMER	AANTAL QUANTITY QUANTITE ANZAHL
------	--	--

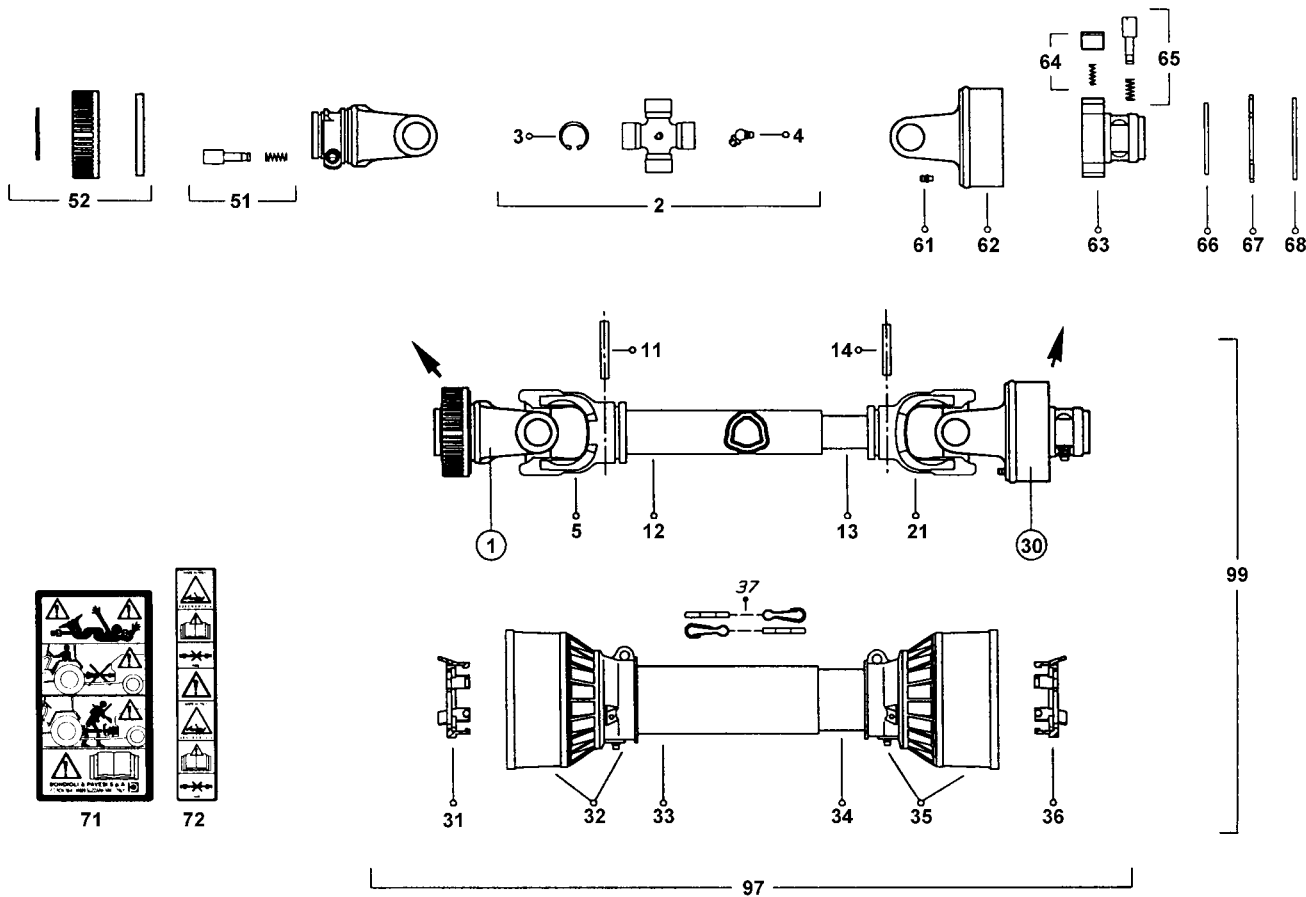
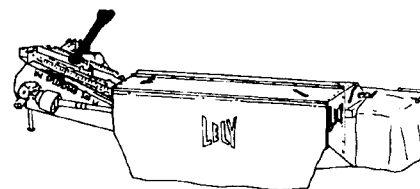
1	9606202001	1 = REF. 71-76 900 Nm SB2-1.3/8" (6)
2	941202	2 = REF. 2+3+4
3	9338009000	8
4	9348004000	2
13	9225040505	1 L= 505 mm
14	9.1070.0024.3	1 Ø8x60
15	9501F20478	1 L= 435 mm
21	9204026852	1 2 Serie 100
30	9509020352	1 = REF. 30+61 1.3/8" (6)
31	9255020005	1
32	9517010030	1 Type/Typ F
33	9236660386	1 L= 386 mm
34	9236650386	1 L= 386 mm
35	9517010020	1 Type/Typ F
36	9255020006	1
37	9252000001	2
61	9.1113.0059*2 9.1030.0013*4	1 M12x70 DIN 931-8.8 1 M12 DIN 985-8

REF.	ONDERDEELNR. PART NUMBER REFERENCE TEILNUMMER	AANTAL QUANTITY QUANTITE ANZAHL
------	--	--

71	9213020020	1
72	9348006000	1
73	9362004000	24 7/32
74	9513060312	1 SB2-1.3/8" (6)
75	9401000001	1 Cpl.
76	9.1113.0106*0 9.1030.0011*2	1 M6x40 DIN 931-8.8 1 M6 DIN 985-8
91	9399CEE051	1
92	9399CEE072	1
97	95F02056FF	1 = REF. 31-37 Type/Typ F
99	9.1154.0193.4	1 = REF. 1-97 Type/Typ 2 L= 560 mm



SPLENDIMO	type number type number numéro de type Typnummer	vanaf serienummer as from serial number après numéro de serie ab Seriennummer
240 LC	4.1240.0000.1	10304 - 0501
280 LC	4.1242.0000.1	10304 - 0501



Eb001-01-00

REF.	ONDERDEELNR. PART NUMBER REFERENCE TEILNUMMER	AANTAL QUANTITY QUANTITE ANZAHL	
1	9572050351	1	= REF. 1+51+52 1.3/8" (6)
2	941205	2	= REF. 2+3+4
3	9338020000	8	
4	9348004000	2	
5	9204056860	1	5 Serie 100
11	9.1070.0024.3	1	Ø8x60
12	9225370710	1	L= 710 mm
13	9245110710	1	L= 710 mm (Rilsan)
14	9341002000	1	Ø8x54
21	9204056861	1	5 Serie 100
30	9601105001	1	= REF. 61-68 RA1-1.3/8" (6) 1600 Nm
31	9255050005	1	
32	9517050030	1	Type/Typ F
33	9236830650	1	L= 650 mm
34	9236820650	1	L= 650 mm
35	9517050020	1	Type/Typ F
36	9255050006	1	
37	9252000001	2	
51	9403000001	1	
52	9240003050	1	

REF.	ONDERDEELNR. PART NUMBER REFERENCE TEILNUMMER	AANTAL QUANTITY QUANTITE ANZAHL	
61	9348001000	1	
62	9418051120	1	RA1
63	9513010302	1	1.3/8" (6)
64	9421011101	3	
65	9403000001	1	
66	9246000005	1	
67	9246000010	1	
68	9338005000	1	
71	9399CEE051	1	
72	9399CEE072	1	
97	95F05086	1	= REF. 31-37 Type/Typ F
99	9.1154.0188.6	1	= REF. 1-97 Type/Typ 1R5 L= 860 mm