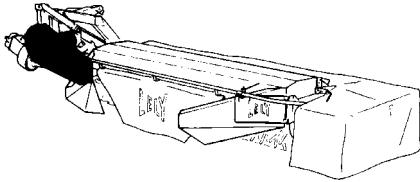


LELY**OPTIMO**type nummer
type number
numéro de type
Typnummervanaf serienummer
as from serial number
après numéro de série
ab Seriennummer

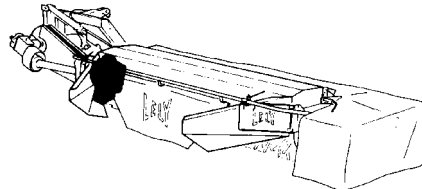
280 C

4.1217.0201.1
4.1217.0202.1
4.1217.0203.1
4.1217.0204.1972 - 0501
983 - 0501
1013 - 0501
10111 - 0501

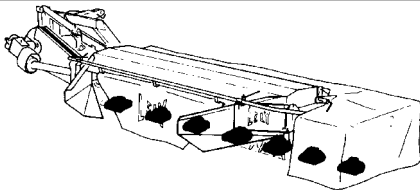
280 C

4.1217.0021.1
4.1217.0280.1
4.1217.0350.1/4971 - 0501
971 - 0501
983 - 0501**C7****Inhoud
Contents
Index
Inhalt****OPTIMO 280 C****pagina
page
page
Seite****Snaaraandrijving
V-belt drive
Entraînement à courroies
Keilriemenantrieb**

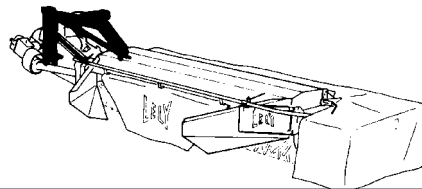
01

**Tandwielkast
Gearbox
Boîte d'engrenages
Getriebe**

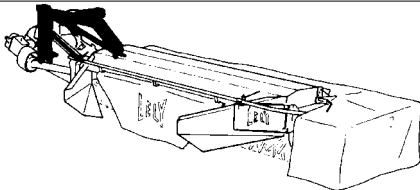
02

**Maaielementen
Cutting units
Unités de fauchage
Mäh-Einheiten**

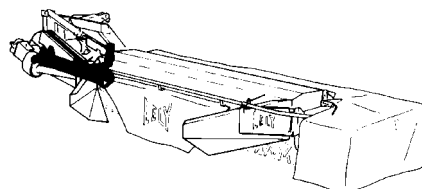
03

**Maaibalk
Cutter bar
Barre de coupe
Mähbalken**

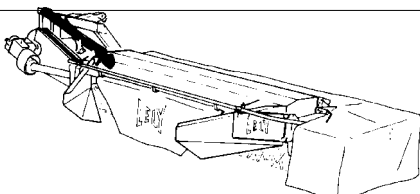
04

**Driepuntsbok
Headstock
Tête d'attelage
Dreipunktturm**

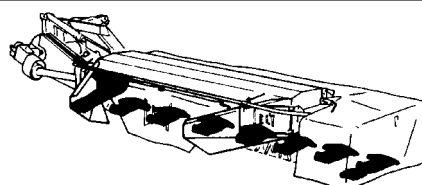
05

**Freem + uitslagbeveiliging
Frame + anti-shock device
Châssis + dispositif anti-choc
Rahmen + Ausklinkvorrichtung**

06

**Hydraulische cilinder
Hydraulic ram
Vérin hydraulique
Hydraulikzylinder**

07

**Beschermplaten
Protection plates
Plaques de protection
Schutzplatten**

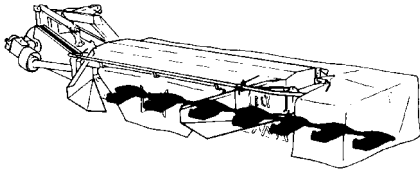
08

LELY**OPTIMO**type nummer
type number
numéro de type
Typnummervanaf serienummer
as from serial number
après numéro de série
ab Seriennummer

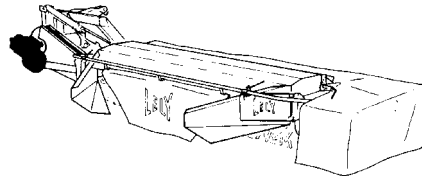
280 C

4.1217.0201.1
4.1217.0202.1
4.1217.0203.1
4.1217.0204.1972 - 0501
983 - 0501
1013 - 0501
10111 - 0501

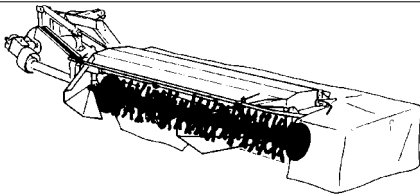
280 C

4.1217.0021.1
4.1217.0280.1
4.1217.0350.1/4971 - 0501
971 - 0501
983 - 0501**C7****Inhoud
Contents
Index
Inhalt****OPTIMO 280 C****pagina
page
page
Seite**Maaibalk-steenbescherming
Cutter bar stone protection
Jeu de protection anti-pierres
Mähbalken-Steinschützsatz

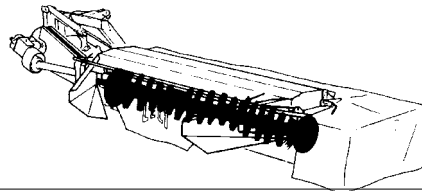
09

Kneuzer-tandwielkast
Conditioner gearbox
Boîte de vitesse de conditionneuse
Aufbereitergetriebe

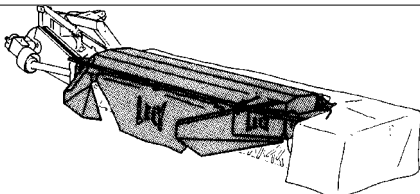
10

Rotor (ronde kneusvingers)
Rotor (round flails)
Rotor (fléaux ronds)
Rotor (runde Schlegel)

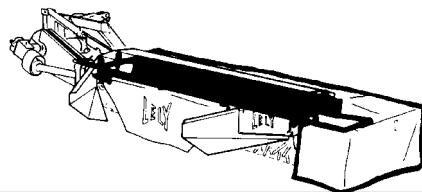
11

Rotor (platte kneusvingers)
Rotor flat flails)
Rotor (fléaux plats)
Rotor (flache Schlegel)

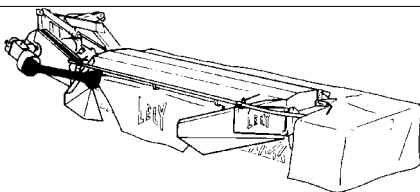
12

Kneuzerkap
Conditioner hood
Capot conditionneuse
Aufbereiterhaube

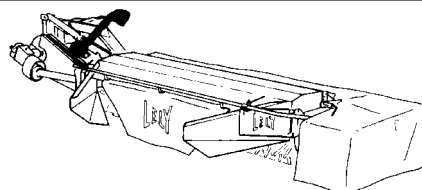
13

Kneuzerfreem
Conditioner frame
Châssis conditionneuse
Aufbereiterrahmen

14

Koppelingsas
PTO shaft
Arbre de transmission
Gelenkwelle

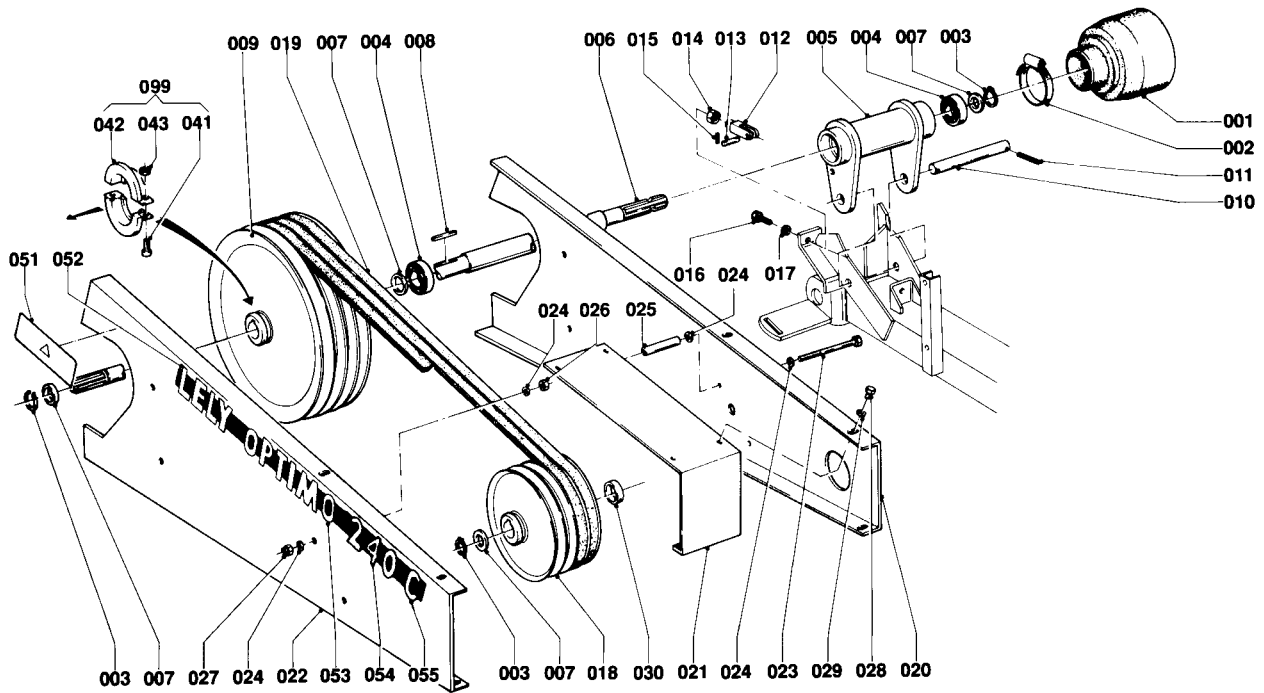
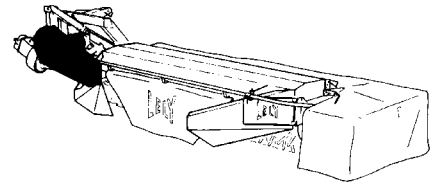
16

Koppelingsas
PTO shaft
Arbre de transmission
Gelenkwelle

17



	type nummer type number numéro de type Typnummer	vanaf serienummer as from serial number après numéro de serie ab Seriennummer
OPTIMO 280 C	4.1217.0201.1	972 - 0501



E009-04-00

REF.	ONDERDEELNR. PART NUMBER REFERENCE TEILNUMMER	AANTAL QUANTITY QUANTITE ANZAHL
------	--	--

001	9.1161.0014.0	1
002	9.1066.0010.0	1
003	9.1119.0019.5	3
004	9.1001.0025.3	2
005	4.1201.0522.0	1
006	4.1207.0378.0	1
007	9.1052.0006.3	4
008	9.1071.0037.1	1
009	4.1203.0527.0	1
010	4.1201.1478.0	1
011	9.1070.0023*2	2
012	9.1038.0006*3	1
013	4.1201.1471.0	1
014	9.1029.0008*0	1
015	9.1070.0017*3	2
016	9.1113.0061*4	1
017	9.1048.0012*6	1
018	4.1203.1497.0	1
019	9.1075.0003.5	4
020	4.1207.0618.0	1
021	4.1201.0500.0	1
022	4.1207.0619.0	1
023	9.1113.0123*3	4
024	9.1049.0018.4	16
025	4.1201.1497.0	4

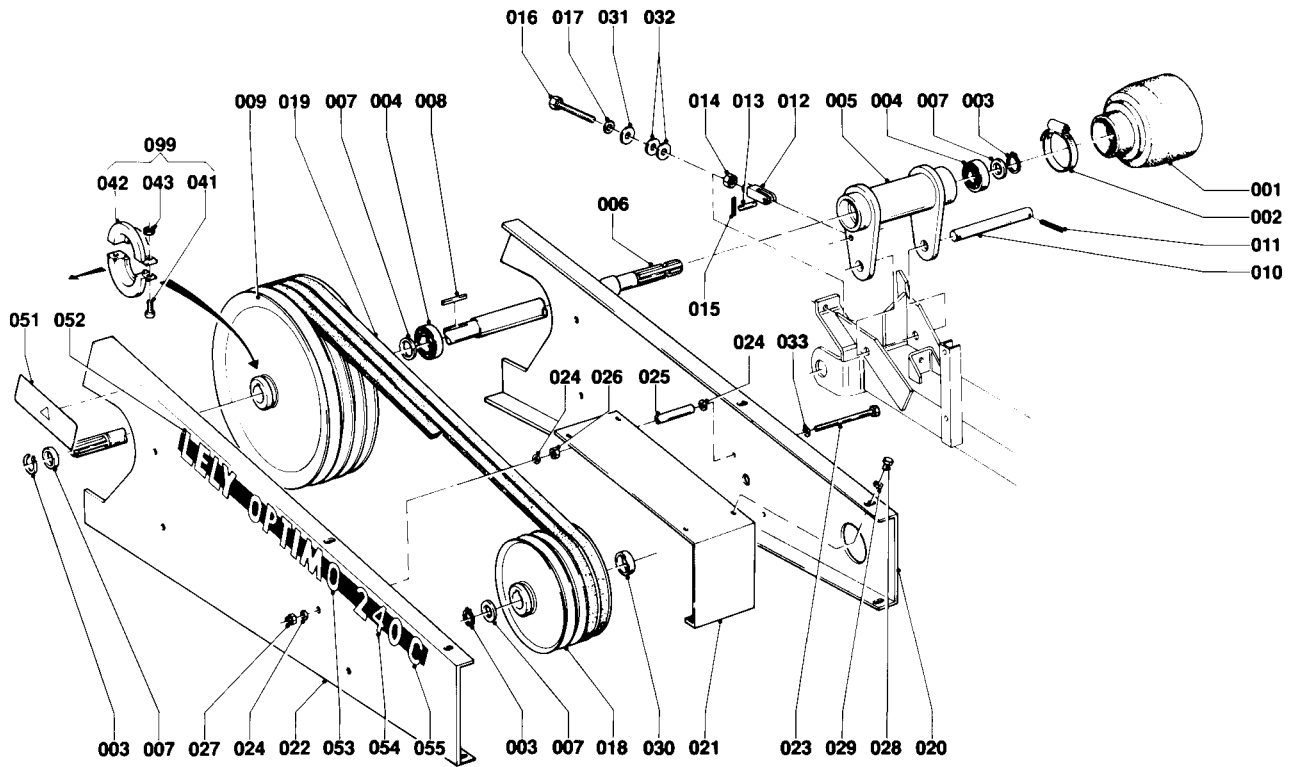
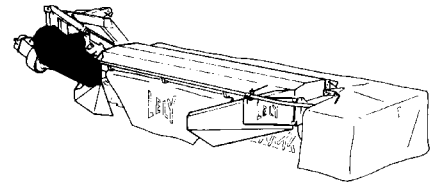
REF.	ONDERDEELNR. PART NUMBER REFERENCE TEILNUMMER	AANTAL QUANTITY QUANTITE ANZAHL
------	--	--

026	9.1029.0005*4	4
027	9.1030.0004*2	4
028	9.1113.0013*5	6
029	9.1051.0001*6	6
030	4.1201.1496.0	1
041	9.1057.0003*2	2
042	4.1201.2310.0	2
043	9.1029.0004*3	2
051	9.1170.0052.1	1
052	9.1170.0253.6	1
053	9.1170.0255.1	1
054	9.1170.0259.5	1
055	9.1170.0262.1	1
099	4.1201.2300.0	1

= REF. 041-043
Hulpstuk voor pulley-trekker
Attachment for pulley puller
Access. d' extracteur-poulie
Zubehör für Abzieher



	type nummer type number numéro de type Typnummer	vanaf serienummer as from serial number après numéro de serie ab Seriennummer
OPTIMO 280 C	4.1217.0202.1	983 - 0501



E009-06-00

REF.	ONDERDEELNR. PART NUMBER REFERENCE TEILNUMMER	AANTAL QUANTITY QUANTITE ANZAHL
------	--	--

001	9.1161.0014.0	1
002	9.1066.0010*0	1
003	9.1119.0019.5	3
004	9.1001.0025.3	2
005	4.1201.0522.0	1
006	4.1207.0378.0	1
007	9.1052.0006*3	4
008	9.1071.0037.1	1
009	4.1203.0527.0	1
010	4.1201.1478.0	1
011	9.1070.0023*2	2
012	9.1038.0006*3	1
013	4.1201.1471.0	1
014	9.1029.0008*0	1
015	9.1070.0018*4	2
016	9.1113.0273.6	1
017	9.1048.0012*6	1
018	4.1203.1497.0	1
019	9.1075.0003.5	4
020	4.1207.0618.0	1
021	4.1201.0500.0	1
022	4.1207.0619.0	1
023	9.1113.0143*2	4
024	9.1049.0018.4	12
025	4.1201.1463.0	4

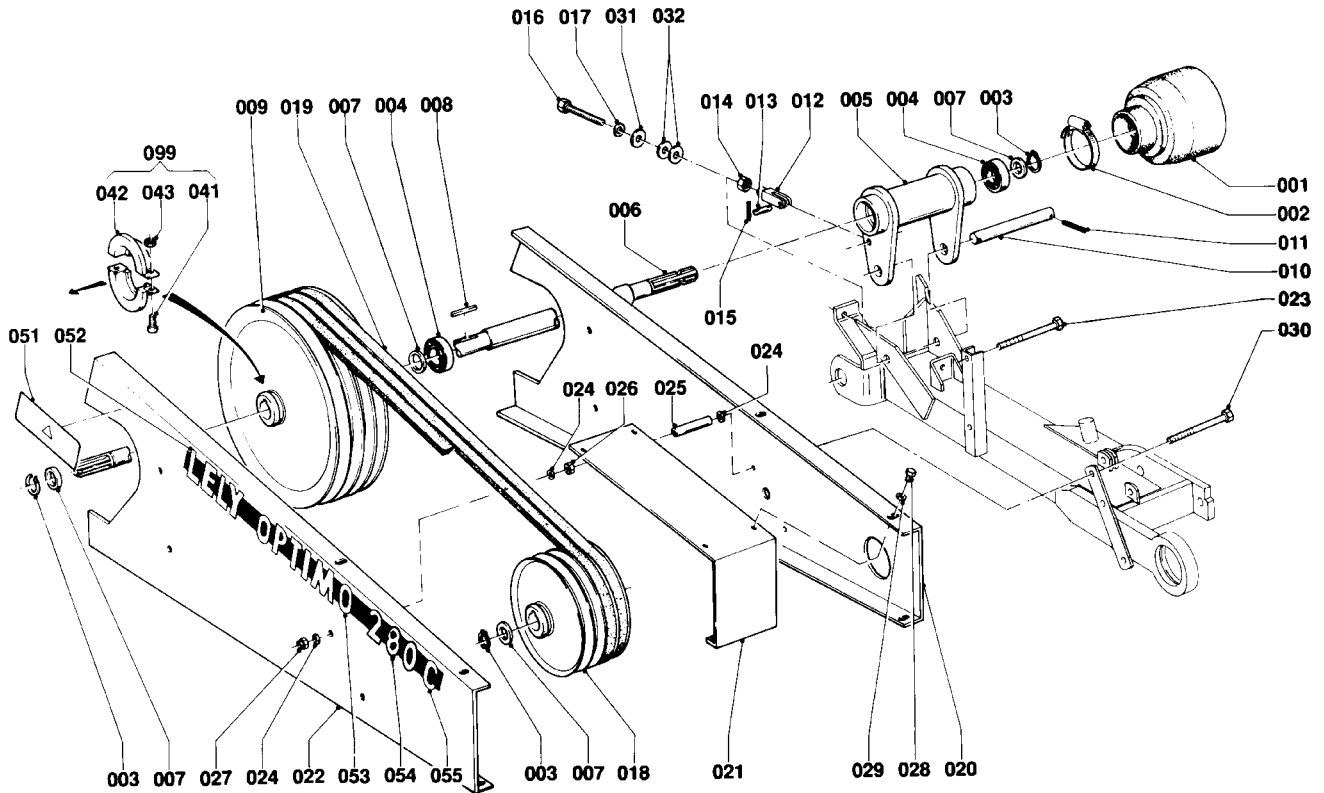
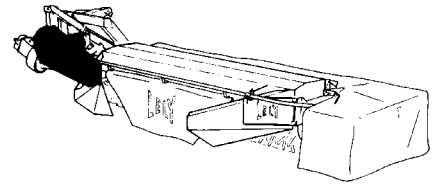
REF.	ONDERDEELNR. PART NUMBER REFERENCE TEILNUMMER	AANTAL QUANTITY QUANTITE ANZAHL
------	--	--

026	9.1029.0005*4	4
027	9.1030.0004*2	4
028	9.1113.0013*5	6
029	9.1051.0001*6	6
030	4.1201.1496.0	1
031	9.1048.0041*0	1
032	9.1048.0067.5	2
033	9.1048.0047.6	4
041	9.1057.0003*2	2
042	4.1201.2310.0	2
043	9.1029.0004*3	2
051	9.1170.0052.1	1
052	9.1170.0253.6	1
053	9.1170.0255.1	1
054	9.1170.0259.5	1
055	9.1170.0262.1	1
099	4.1201.2300.0	1

= REF. 041-043
Hulpstuk voor pulley-trekker
Attachment for pulley puller
Access. d' extracteur-poulie
Zubehör für Abzieher



	type nummer type number numéro de type Typnummer	vanaf serienummer as from serial number après numéro de serie ab Seriennummer
OPTIMO 280 C	4.1217.0203.1	1013 - 0501



E009-07-10

REF.	ONDERDEELNR. PART NUMBER REFERENCE TEILNUMMER	AANTAL QUANTITY QUANTITE ANZAHL
------	--	--

001	9.1161.0014.0	1
002	9.1066.0010*0	1
003	9.1119.0019.5	3
004	9.1001.0025.3	2
005	4.1225.0420.0	1
006	4.1207.0378.0	1
007	9.1052.0006*3	4
008	9.1071.0037.1	1
009	4.1203.0527.0	1
010	4.1225.1494.0	1
011	9.1070.0023.2	2
012	9.1038.0006*3	1
013	4.1201.1471.0	1
014	9.1029.0008*0	1
015	9.1070.0018.4	2
016	9.1113.0273.6	1
017	9.1048.0012*6	1
018	4.1219.1499.0	1
019	9.1075.0003.5	4
020	4.1207.0618.0	1
021	4.1229.0170.0	1
022	4.1207.0619.0	1
023	9.1113.0143*2	2
024	9.1049.0018.4	12
025	4.1229.1498.0	4

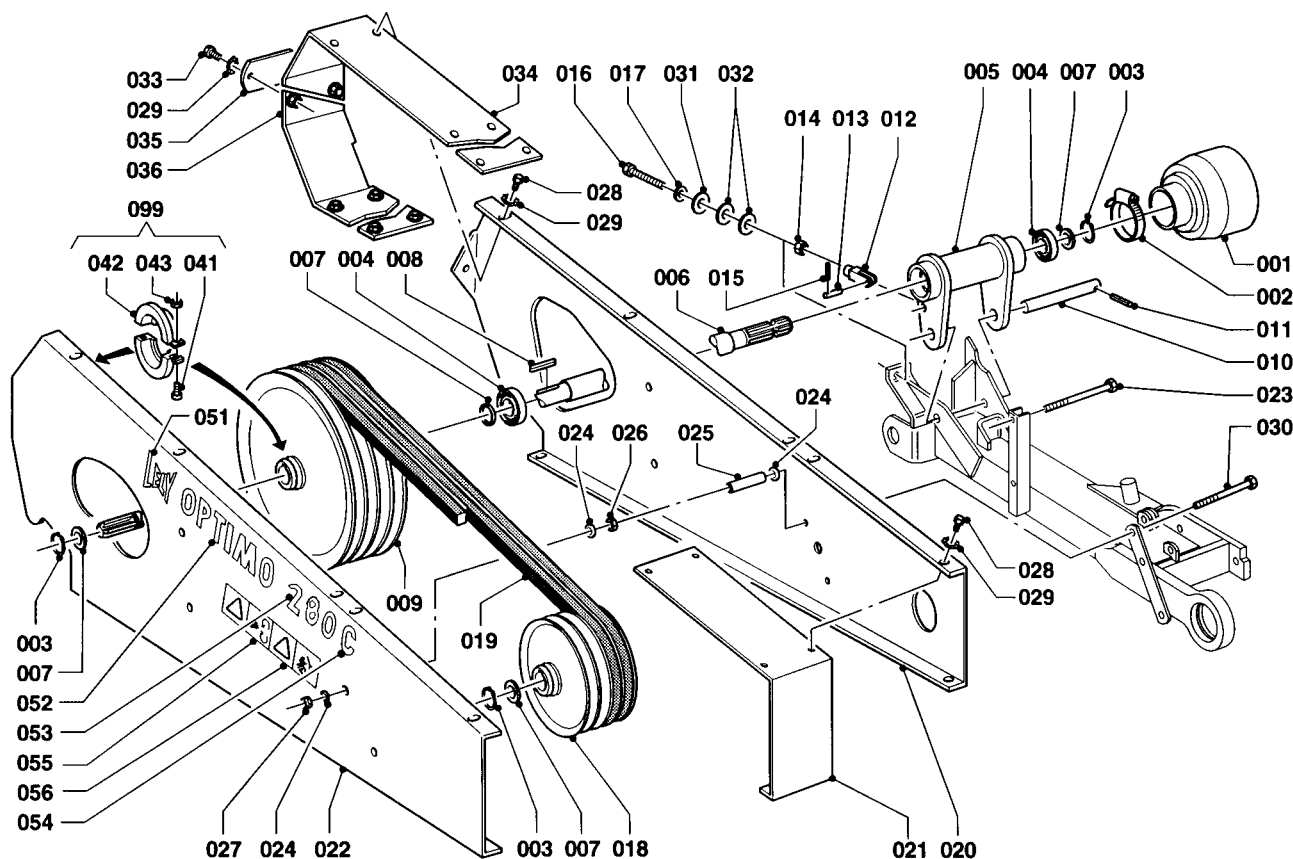
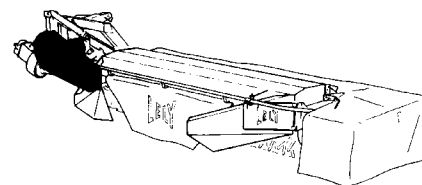
REF.	ONDERDEELNR. PART NUMBER REFERENCE TEILNUMMER	AANTAL QUANTITY QUANTITE ANZAHL
------	--	--

026	9.1029.0005*4	4
027	9.1030.0004*2	4
028	9.1113.0013*5	6
029	9.1051.0001*6	6
030	9.1113.0292*4	2
031	9.1048.0041*0	1
032	9.1048.0067.5	2
041	9.1057.0003*2	2
042	4.1201.2310.0	2
043	9.1029.0004*3	2
051	9.1170.0052.1	1
052	9.1170.0253.6	1
053	9.1170.0255.1	1
054	9.1170.0259.5	1
055	9.1170.0262.1	1
099	4.1201.2300.0	1

= REF. 041-043
Hulpstuk voor pulley-trekker
Attachment for pulley puller
Access. d' extracteur-poulie
Zubehör für Abzieher

LELY

	type nummer type number numéro de type Typnummer	vanaf serienummer as from serial number après numéro de série ab Seriennummer
OPTIMO 280 C	4.1217.0204.1	10111 - 0501



E009-10-10

REF.	ONDERDEELNR. PART NUMBER REFERENCE TEILNUMMER	AANTAL QUANTITY QUANTITE ANZAHL
------	--	--

001	9.1161.0014.0	1
002	9.1066.0010*0	1
003	9.1119.0019.5	3
004	9.1001.0025.3	2
005	4.1225.0420.0	1
006	4.1207.0378.0	1
007	9.1052.0006*3	4
008	9.1071.0037.1	1
009	4.1203.0527.0	1
010	4.1225.1494.0	1
011	9.1070.0023.2	2
012	9.1038.0006*3	1
013	4.1201.1471.0	1
014	9.1029.0008*0	1
015	9.1070.0018.4	2
016	9.1113.0273*6	1
017	9.1048.0012*6	1
018	4.1219.1499.0	1
019	9.1075.0003.5	4
020	4.1207.0623.0	1
021	4.1229.0170.0	1
022	4.1207.0622.0	1
023	9.1113.0143*2	2
024	9.1049.0018.4	12
025	4.1229.1498.0	4
026	9.1029.0005*4	4
027	9.1030.0004*2	4

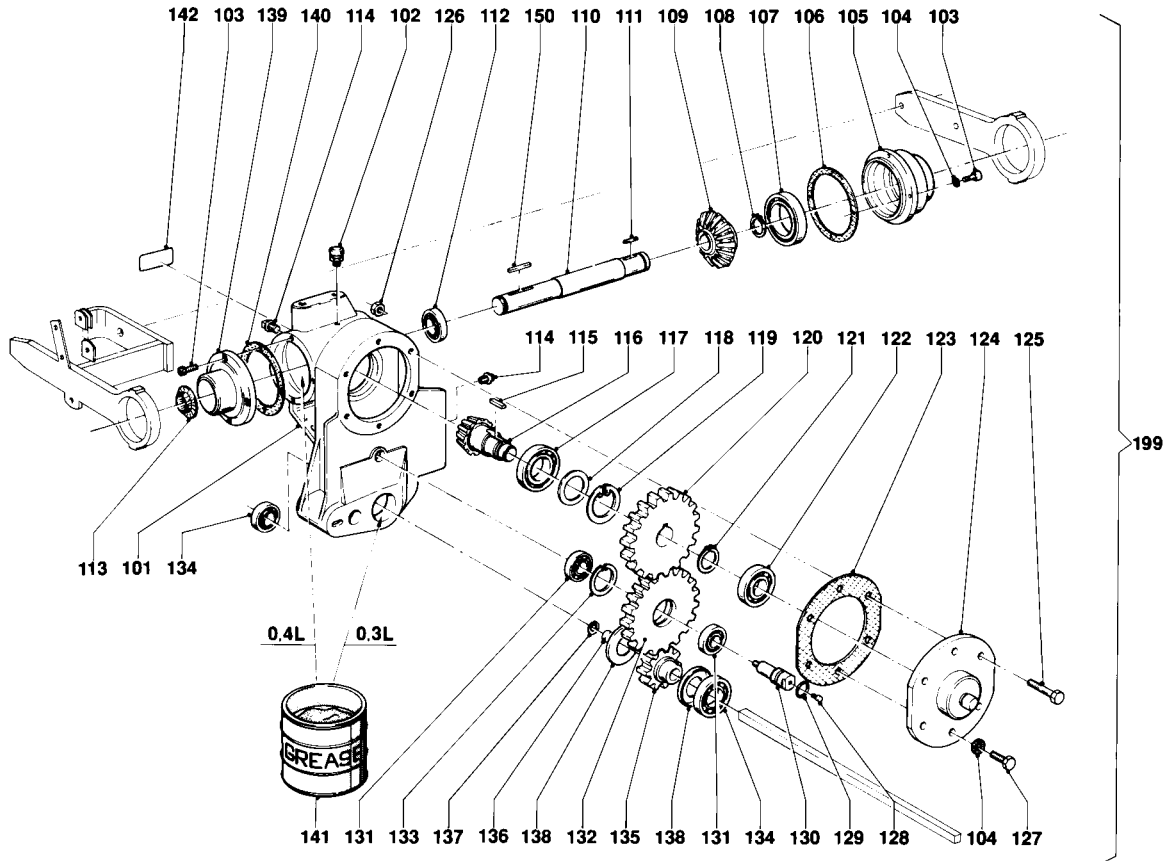
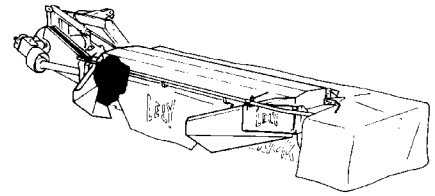
REF.	ONDERDEELNR. PART NUMBER REFERENCE TEILNUMMER	AANTAL QUANTITY QUANTITE ANZAHL
------	--	--

028	9.1113.0267*0	18
029	9.1051.0001*6	20
030	9.1113.0292*4	2
031	9.1048.0041*0	1
032	9.1048.0067.5	2
033	9.1113.0014*6	2
034	4.1207.0660.0	1
035	4.1207.0624.0	1
036	4.1207.0651.0	1
041	9.1057.0003.2	2
042	4.1201.2310.0	2
043	9.1029.0004*3	2
051	9.1170.0200.2	1
052	9.1170.0371.5	1
053	9.1170.0347.2	1
054	9.1170.0373.0	1
055	9.1170.0407.6	1
056	9.1170.0420.5	1
099	4.1201.2300.0	1

= REF. 041-043
Hulpstuk voor pulley-trekker
Attachment for pulley puller
Access. d' extracteur-poulie
Zubehör für Abzieher

LELY

	type number type number numéro de type Typnummer	vanaf serienummer as from serial number après numéro de serie ab Seriennummer
OPTIMO 280 C	4.1217.0201.1	972 - 0501
OPTIMO 280 C	4.1217.0202.1	983 - 0501



E002-08-01

REF.	ONDERDEELNR. PART NUMBER REFERENCE TEILNUMMER	AANTAL QUANTITY QUANTITE ANZAHL
------	--	--

101	4.1201.0301.0	1
102	4.1201.1472.0	1
103	9.1057.0010.2	8
104	9.1051.0002.0	7
105	4.1201.0303.0	1
106	4.1201.0311.0	1
107	9.1001.0067.3	1
108	9.1119.0019.5	1
109	4.1201.0314.0	1
110	4.1201.0304.0	1
111	9.1071.0021.6	1
112	9.1001.0087.2	1
113	9.1106.0009.1	1
114	9.1131.0001.3	2
115	9.1071.0039.3	1
116	4.1201.0321.0	1
117	9.1001.0059.2	1
118	4.1201.0310.0	1
119	9.1120.0014.6	1
120	4.1201.0320.0	1
121	9.1119.0020.6	1
122	9.1001.0019.4	1
123	4.1201.0325.0	1
124	4.1201.0290.0	1
	9.1150.0008.5	-

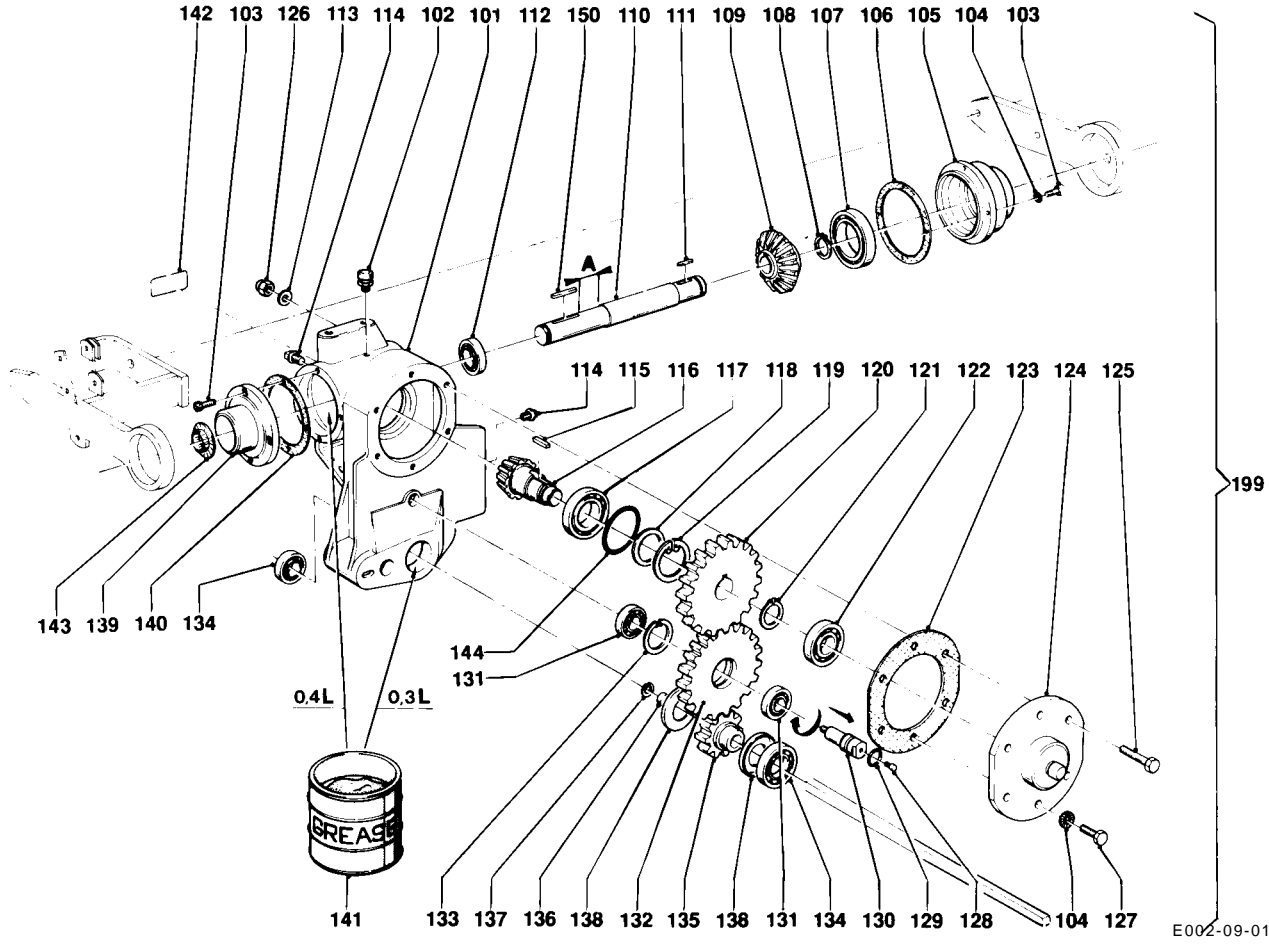
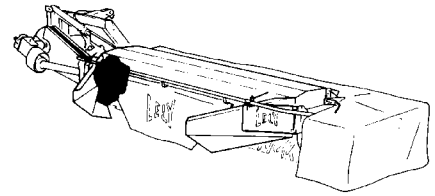
REF.	ONDERDEELNR. PART NUMBER REFERENCE TEILNUMMER	AANTAL QUANTITY QUANTITE ANZAHL
------	--	--

125	9.1113.0156*1	1
126	9.1030.0004*2	1
127	9.1113.0027.5	3
128	9.1108.0034.3	1
129	9.1043.0013.5	1
130	4.1201.0306.0	1
131	9.1001.0090.5	2
132	4.1201.0307.0	1
133	9.1120.0002.1	1
134	9.1001.0068.4	2
135	4.1201.0317.0	1
136	4.1201.0329.0	1
137	9.1120.0028.6	1
138	9.1107.0009.0	2
139	4.1201.0302.0	1
140	4.1201.0328.0	1
141	9.1171.0039.1	(0,7L)
	9.1171.0040.2	(0,7L)
	9.1171.0041.3	(0,7L)
	9.1171.0031.0	(0,7L)
	9.1171.0030.6	(0,7L)
	9.1171.0029.5	(0,7L)
142	9.1170.0303.0	1
	9.1170.0264.3	1
150	9.1071.0033.4	1
199	4.1201.0280.0	1

M10x85 DIN 931-10.9
M10 DIN 985-8
M10x20 DIN 933-8.8
R1/8"
OR 22x1,5
6204-C3
42x1,75 DIN 472
6205 2RS-2-C4(VITON);HT-22B
1 kg CALITHIA EP-T-0 SHELL
5 kg CALITHIA EP-T-0 SHELL
10 kg CALITHIA EP-T-0 SHELL
1 kg EHL 484 XC ESSO
5 kg EHL 484 XC ESSO
10 kg EHL 484 XC ESSO
"CALITHIA EP-T-0 SHELL"
"EHL 484 XC ESSO"
A10x8x70 DIN 6885
= REF. 101-142



	type nummer type number numéro de type Typnummer	vanaf serienummer as from serial number après numéro de serie ab Seriennummer
OPTIMO 280 C	4.1217.0202.1	1002 - 0501



E002-09-01

REF.	ONDERDEELNR. PART NUMBER REFERENCE TEILNUMMER	AANTAL QUANTITY QUANTITE ANZAHL
------	--	--

101	4.1201.0301.0	1
102	4.1201.1472.0	1
103	9.1057.0010.2	8
104	9.1051.0002*0	7
105	4.1201.0303.0	1
106	4.1201.0311.0	1
107	9.1001.0067.3	1
108	9.1119.0019.5	1
109	4.1201.0314.0	1
110	4.1201.0304.0	1
111	9.1071.0021.6	1
112	9.1001.0087.2	1
113	9.1048.0007*1	~
114	9.1131.0001.3	2
115	9.1071.0039.3	1
116	4.1201.0321.0	1
117	9.1001.0059.2	1
118	4.1201.0310.0	1
119	9.1120.0014.6	1
120	4.1201.0320.0	1
121	9.1119.0020.6	1
122	9.1001.0019.4	1
123	4.1201.0325.0	1
124	4.1201.0290.0	1
	9.1150.0008.5	-

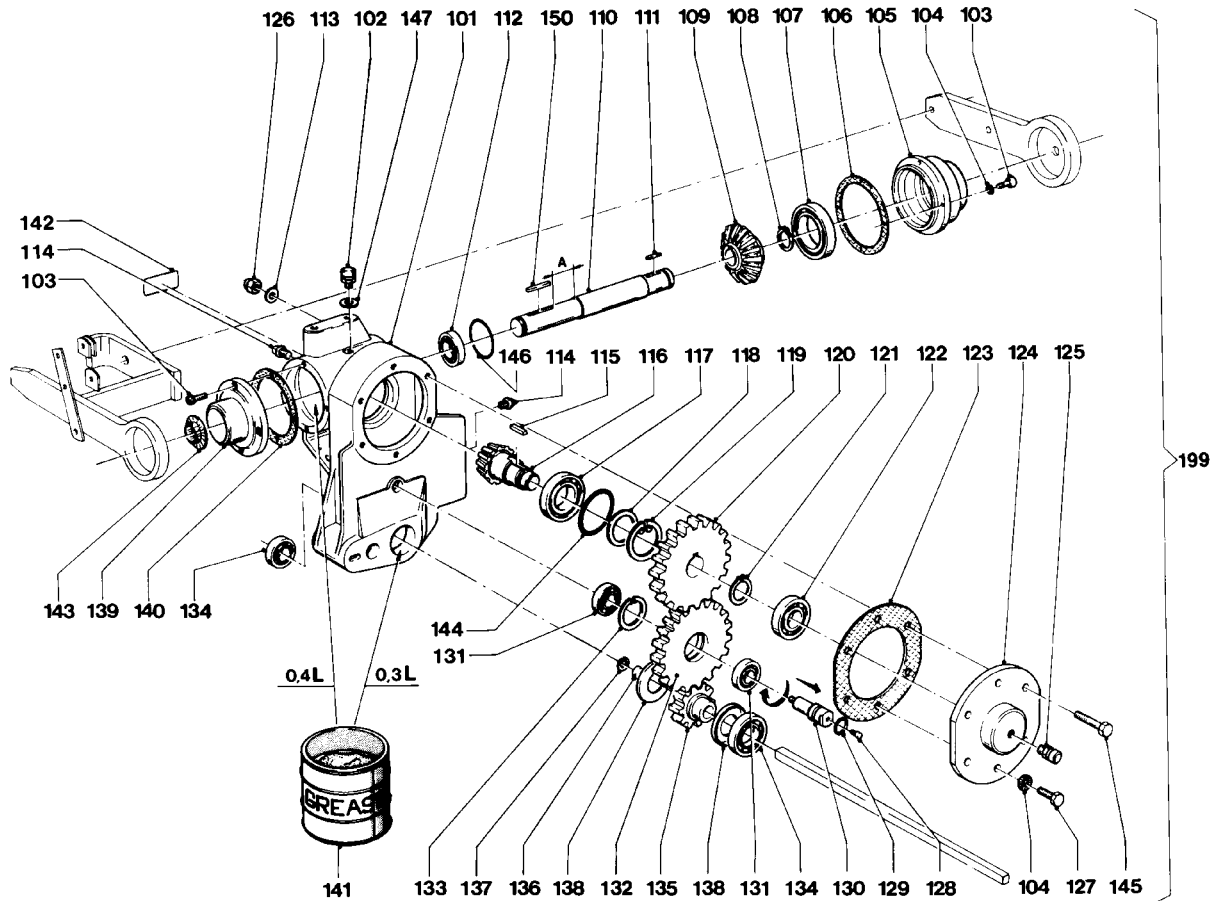
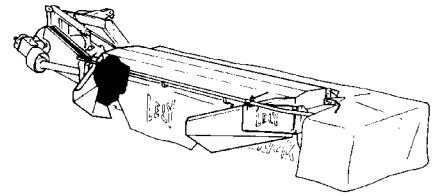
REF.	ONDERDEELNR. PART NUMBER REFERENCE TEILNUMMER	AANTAL QUANTITY QUANTITE ANZAHL
------	--	--

125	9.1113.0156*1	1
126	9.1030.0004*2	1
127	9.1113.0027.5	3
128	9.1108.0034.3	1
129	9.1043.0013.5	1
130	4.1201.0306.0	1
131	9.1001.0090.5	2
132	4.1201.0307.0	1
133	9.1120.0002.1	1
134	9.1001.0119.6	2
135	4.1201.0317.0	1
136	4.1201.0329.0	1
137	9.1120.0028.6	1
138	9.1107.0009.0	2
139	4.1201.0302.0	1
140	4.1201.0328.0	1
141	9.1171.0039.1	(0,7L)
	9.1171.0040.2	(0,7L)
	9.1171.0041.3	(0,7L)
	9.1171.0031.0	(0,7L)
142	9.1170.0303.0	1
143	9.1106.0009.1	1
144	9.1043.0048.5	1
150	9.1071.0033.4	1
199	4.1201.0280.0	1

M10x85 DIN 931-10.9
M10 DIN 985-8
M10x20 DIN 933-8.8
R1/8"
OR 22x1,5
[D+D]
16016
35x2,50 DIN 471
A= 45,5 mm
A10x8x63 DIN 6885
6207 2RS-1-C3
A10,5 DIN 125
R1/2"
B12x8x25 DIN 6885
6210 2RS
90x3,00 DIN 472
[D+D]
42x1,75 DIN 471
6206
"CALITHIA EP-T-0 SHELL"
Z207
OR 89,5x3
A10x8x70 DIN 6885
= REF. 101-144

LELY

	type number type number numéro de type Typnummer	vanaf serienummer as from serial number après numéro de serie ab Seriennummer
OPTIMO 280 C	4.1217.0203.1	1013 - 0501
OPTIMO 280 C	4.1217.0204.1	10111 - 0501



E002-11-00

REF.	ONDERDEELNR. PART NUMBER REFERENCE TEILNUMMER	AANTAL QUANTITY QUANTITE ANZAHL
------	--	--

101	4.1201.0301.0	1
102	9.1150.0013.3	1
103	9.1057.0010.2	8
104	9.1051.0002*0	7
105	4.1201.0303.0	1
106	4.1201.0311.0	(1)
107	9.1001.0067.3	1
108	9.1119.0019.5	1
109	4.1201.0314.0	1
110	4.1201.0298.0	1
111	9.1071.0021.6	1
112	9.1001.0087.2	1
113	9.1048.0007*1	-
114	9.1131.0001.3	2
115	9.1071.0039.3	1
116	4.1201.0321.0	1
117	9.1001.0059.2	1
118	4.1201.0310.0	(1)
119	9.1120.0014.6	1
120	4.1201.0320.0	1
121	9.1119.0020.6	1
122	9.1001.0019.4	1
123	4.1201.0325.0	1
124	4.1201.0312.0	1
125	9.1150.0008.5	1
126	9.1030.0004*2	1
127	9.1113.0027*5	3

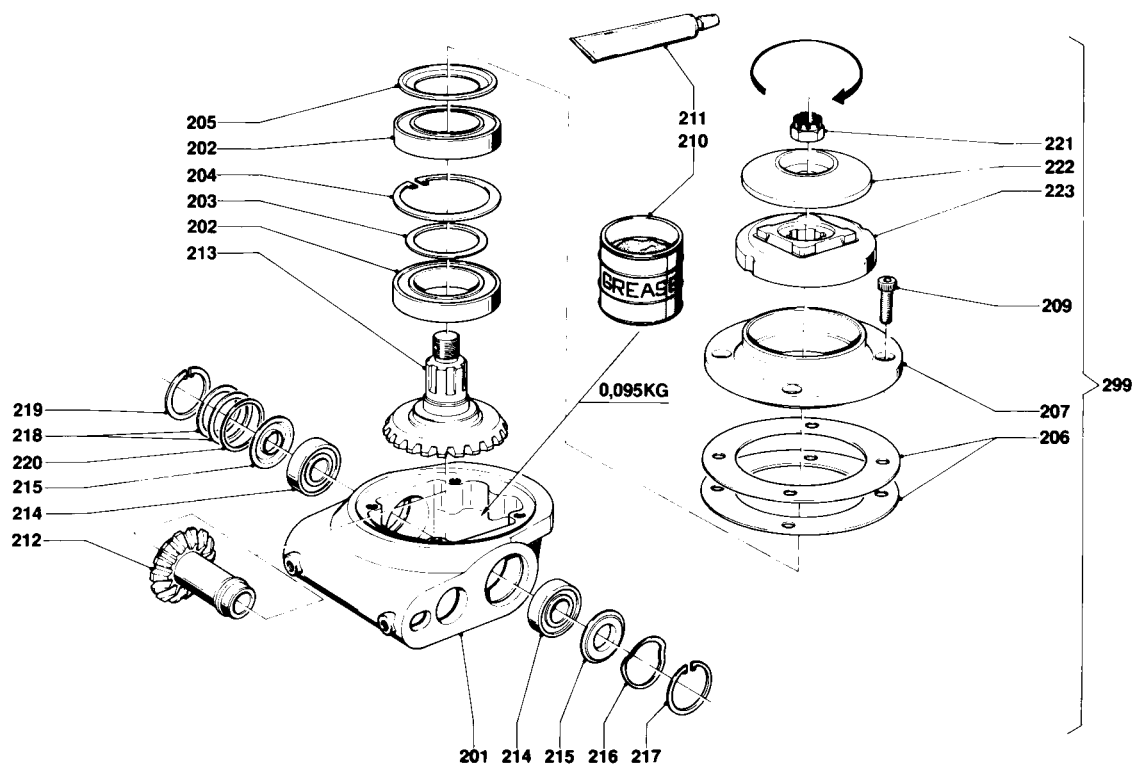
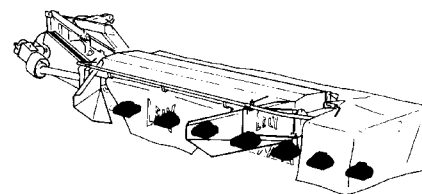
REF.	ONDERDEELNR. PART NUMBER REFERENCE TEILNUMMER	AANTAL QUANTITY QUANTITE ANZAHL
------	--	--

128	9.1108.0034.3	1
129	9.1043.0013.5	1
130	4.1201.0306.0	1
131	9.1001.0090.5	2
132	4.1201.0307.0	1
133	9.1120.0002.1	1
134	9.1001.0119.6	2
135	4.1201.0317.0	1
136	4.1201.0329.0	1
137	9.1120.0028.6	1
138	9.1107.0009.0	2
139	4.1201.0299.0	1
140	4.1201.0328.0	1
141	9.1171.0039.1	(0,7L)
	9.1171.0040.2	(0,7L)
	9.1171.0041.3	(0,7L)
142	9.1170.0303.0	1
143	9.1106.0009.1	1
144	9.1043.0048.5	1
145	9.1113.0156*1	1
146	9.1043.0050.0	1
147	9.1137.0401.5	1
150	9.1071.0033.4	1
199	4.1201.0280.0	1

R1/8"
OR 22x1,5
M12-L
6204 C3
42x1,75 DIN 472
6205 2RS-2-C5(VITON);HT-22B
18x1,00 DIN 472
6205 ZAV
1 kg CALITHIA EP-T-0 SHELL
5 kg CALITHIA EP-T-0 SHELL
10 kg CALITHIA EP-T-0 SHELL
"CALITHIA EP-T-0 SHELL"
Z207
OR 89,5x3
M10x85 DIN 931-10.9
OR 72x2
Ø14x20x1,5 Cu
A10x8x70 DIN 6885
= REF. 101-147



	type nummer type number numéro de type Typnummer	vanaf serienummer as from serial number après numéro de serie ab Seriennummer
OPTIMO 280 C	4.1217.0201.1	972 - 0501



E008-04-01

REF.	ONDERDEELNR. PART NUMBER REFERENCE TEILNUMMER	AANTAL QUANTITY QUANTITE ANZAHL
------	--	--

201	4.1201.0068.0	1
202	9.1001.0065.1	2
203	9.1052.0004.1	1
204	9.1120.0026.4	1

205	9.1107.0008.6	1
206	4.1290.2001.0	1
207	4.1201.0067.0	1
209	9.1057.0003.2	4

210	9.1171.0039.1	(0,095 kg)
	9.1171.0040.2	(0,095 kg)
	9.1171.0041.3	(0,095 kg)
	9.1171.0031.0	(0,095 kg)
	9.1171.0030.6	(0,095 kg)
	9.1171.0029.5	(0,095 kg)

211	9.1171.0038.0	1
	9.1171.0032.1	1

212	4.1201.0069.0	1
213	4.1201.0063.0	1
214	9.1001.0064.0	2
215	9.1107.0007.5	2
216	9.1049.0013.6	1

REF.	ONDERDEELNR. PART NUMBER REFERENCE TEILNUMMER	AANTAL QUANTITY QUANTITE ANZAHL
------	--	--

217	9.1120.0027.5	1
218	9.1093.0065.0	2
219	9.1120.0002.1	1
220	4.1201.0061.0	1
221	9.1031.0013.3	1

222	4.1201.1467.0	1
223	4.1201.0062.0	1

298	4.1201.0030.0	3
-----	---------------	---

299	4.1201.0070.0	4
-----	---------------	---

47x1,75 V
37x47x0,3 DIN 988
47x1,75 DIN 472

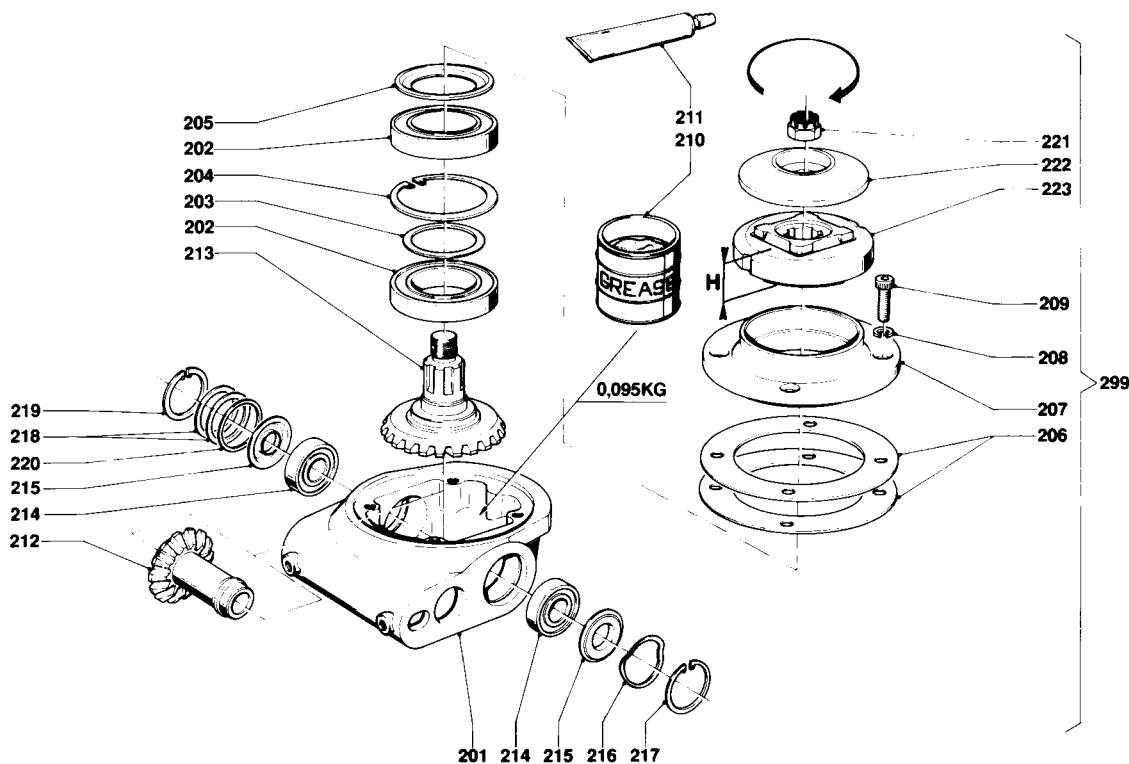
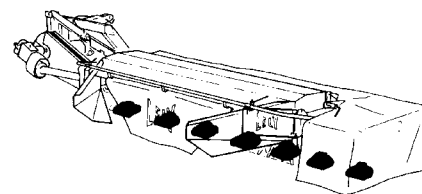
M18x1,5 DIN 937-22H

= REF. 201-223 [LD][x]

= REF. 201-223 [RD]



	type number type number numéro de type Typnummer	vanaf serienummer as from serial number après numéro de serie ab Seriennummer
OPTIMO 280 C	4.1217.0202.1	983 - 0501



E008-04-02

REF.	ONDERDEELNR. PART NUMBER REFERENCE TEILNUMMER	AANTAL QUANTITY QUANTITE ANZAHL
------	--	--

201	4.1201.0068.0	1
202	9.1001.0065.1	2
203	9.1052.0004.1	1
204	9.1120.0026.4	1
205	9.1107.0008.6	1
206	4.1290.2001.0	1
207	4.1201.0067.0	1
208	9.1121.0024*1	4
209	9.1057.0003.2	4
210	9.1171.0039.1	(0,095 kg)
	9.1171.0040.2	(0,095 kg)
	9.1171.0041.3	(0,095 kg)
	9.1171.0031.0	(0,095 kg)
	9.1171.0030.6	(0,095 kg)
	9.1171.0029.5	(0,095 kg)
211	9.1171.0038.0	1
	9.1171.0032.1	1
212	4.1201.0069.0	1
213	4.1201.0063.0	1
214	9.1001.0064.0	2
215	9.1107.0007.5	2
216	9.1049.0013.6	1

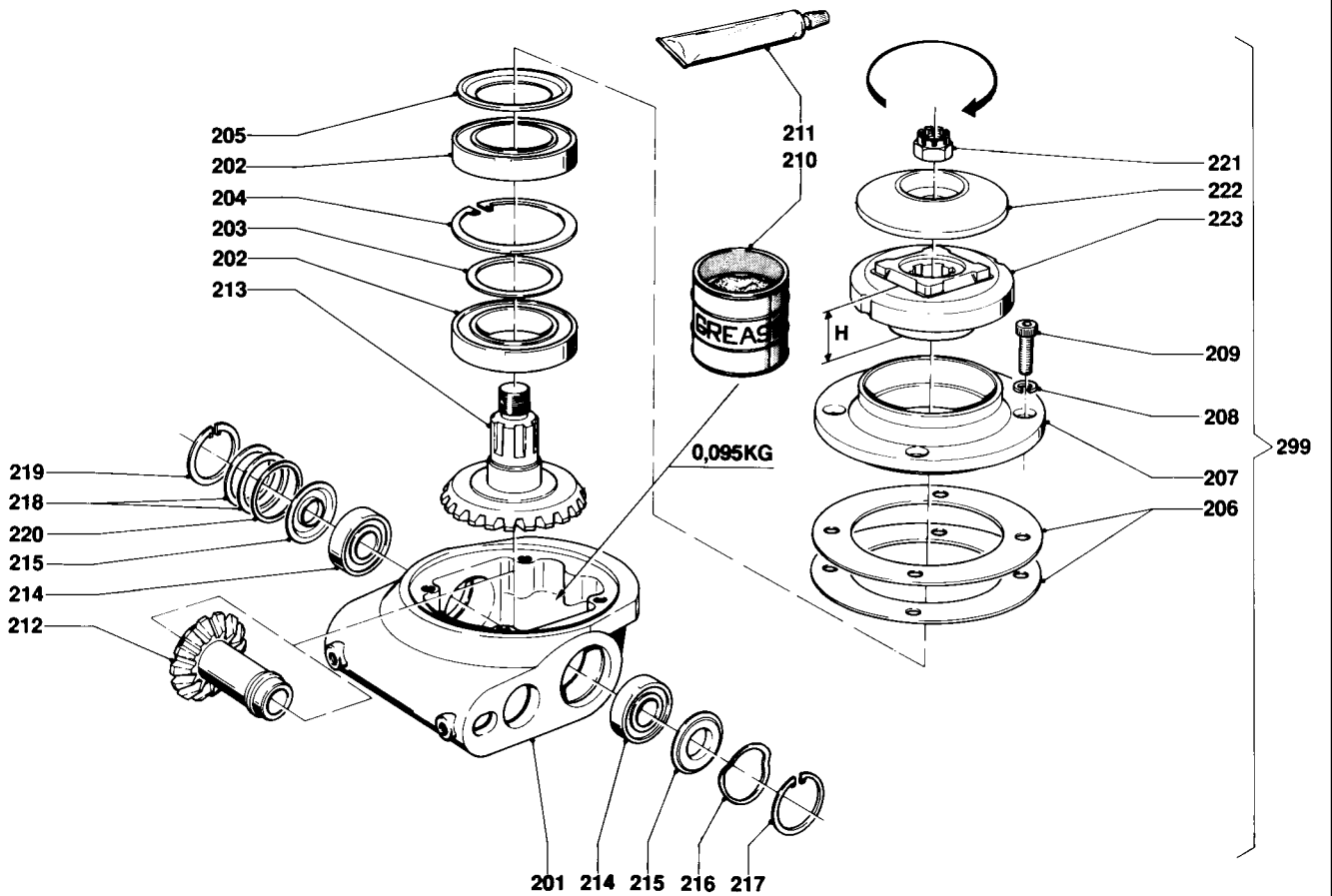
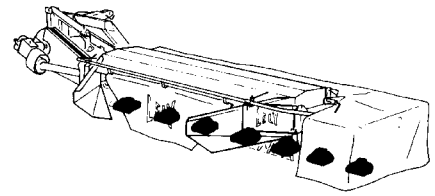
REF.	ONDERDEELNR. PART NUMBER REFERENCE TEILNUMMER	AANTAL QUANTITY QUANTITE ANZAHL
------	--	--

217	9.1120.0027.5	1
218	9.1093.0065.0	2
219	9.1120.0002.1	1
220	4.1201.0061.0	1
221	9.1031.0013.3	1
222	4.1201.1467.0	1
223	4.1201.0062.0	1
298	4.1201.0030.0	3
299	4.1201.0070.0	4

47x1,75 V
37x47x0,3 DIN 988
47x1,75 DIN 472
M18x1,5 DIN 937-22H
H= 38 mm
= REF. 201-223 [LD][x]
= REF. 201-223 [RD]



	type number type number numéro de type Typnummer	vanaf serienummer as from serial number après numéro de serie ab Serienummer
OPTIMO 280 C	4.1217.0203.1	1013 - 0501
OPTIMO 280 C	4.1217.0204.1	10111 - 0501



E008-05-01

REF.	ONDERDEELNR. PART NUMBER REFERENCE TEILNUMMER	AANTAL QUANTITY QUANTITE ANZAHL
------	--	--

201	4.1201.0068.0	1
202	9.1001.0065.1	2
203	9.1052.0004.1	1
204	9.1120.0026.4	1
205	9.1107.0008.6	1
206	4.1290.2001.0	(1)
207	4.1201.0067.0	1
208	9.1121.0024*1	4
209	9.1057.0003.2	4
210	9.1171.0039.1	(0,095 kg)
	9.1171.0040.2	(0,095 kg)
	9.1171.0041.3	(0,095 kg)
	9.1171.0031.0	(0,095 kg)
	9.1171.0030.6	(0,095 kg)
	9.1171.0029.5	(0,095 kg)
211	9.1171.0038.0	1
	9.1171.0032.1	(1)
212	4.1201.0069.0	1
213	4.1220.0057.0	1
214	9.1001.0064.0	2
215	9.1107.0007.5	2
216	9.1049.0013.6	1

REF.	ONDERDEELNR. PART NUMBER REFERENCE TEILNUMMER	AANTAL QUANTITY QUANTITE ANZAHL
------	--	--

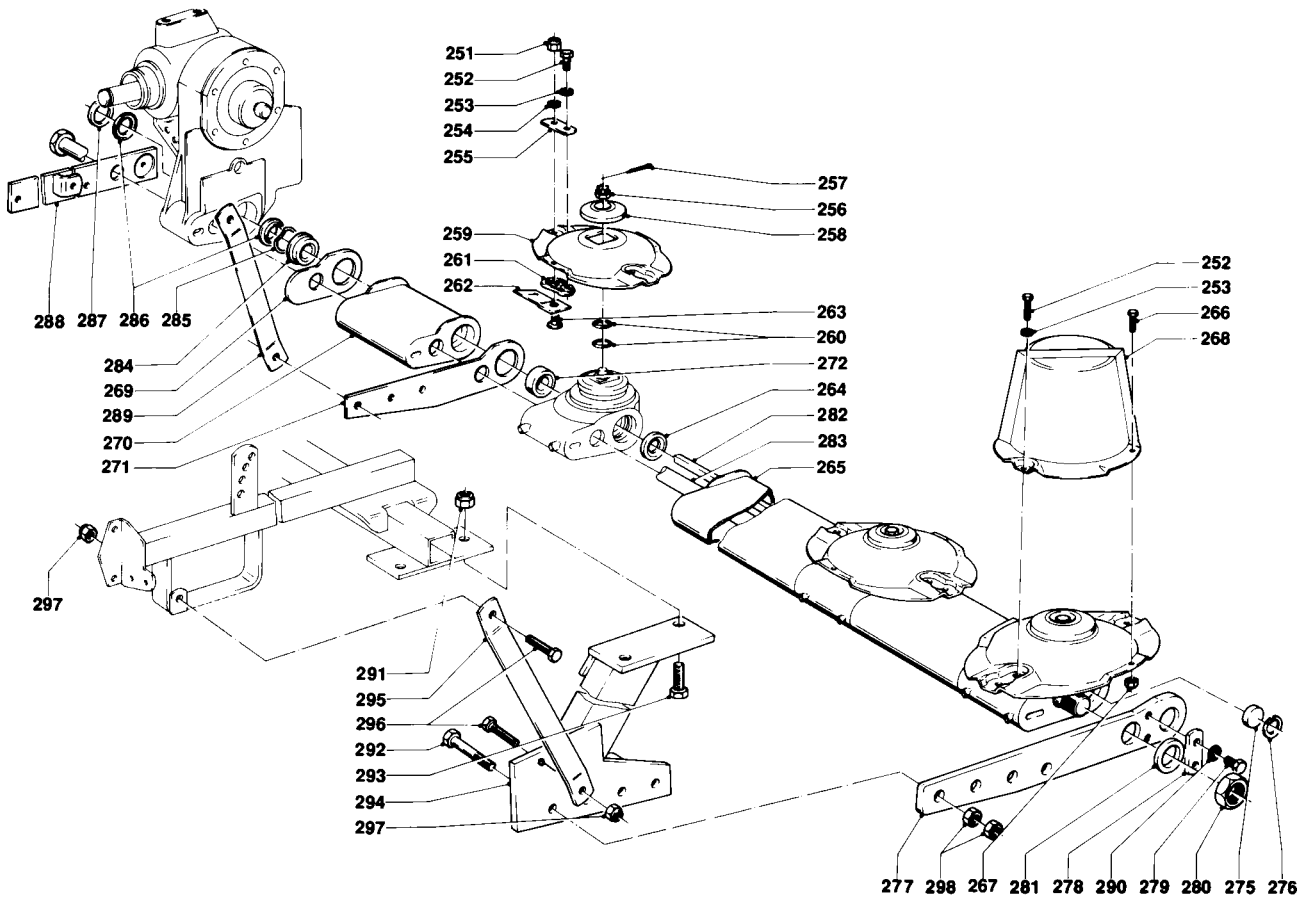
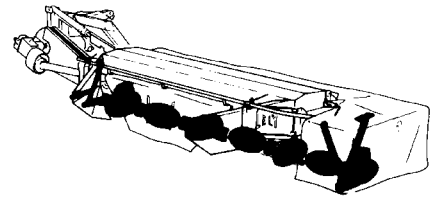
217	9.1120.0027.5	1
218	9.1093.0065.0	2
219	9.1120.0002.1	1
220	4.1201.0061.0	1
221	9.1031.0013.3	1
222	4.1201.1467.0	1
223	4.1225.0189.0	1
298	4.1201.0030.0	3
299	4.1201.0070.0	4

[LD][x]

[RD]



	type nummer type number numéro de type Typnummer	vanaf serienummer as from serial number après numéro de serie ab Seriennummer
OPTIMO 280 C	4.1217.0201.1	972 - 0501
OPTIMO 280 C	4.1217.0202.1	983 - 0501



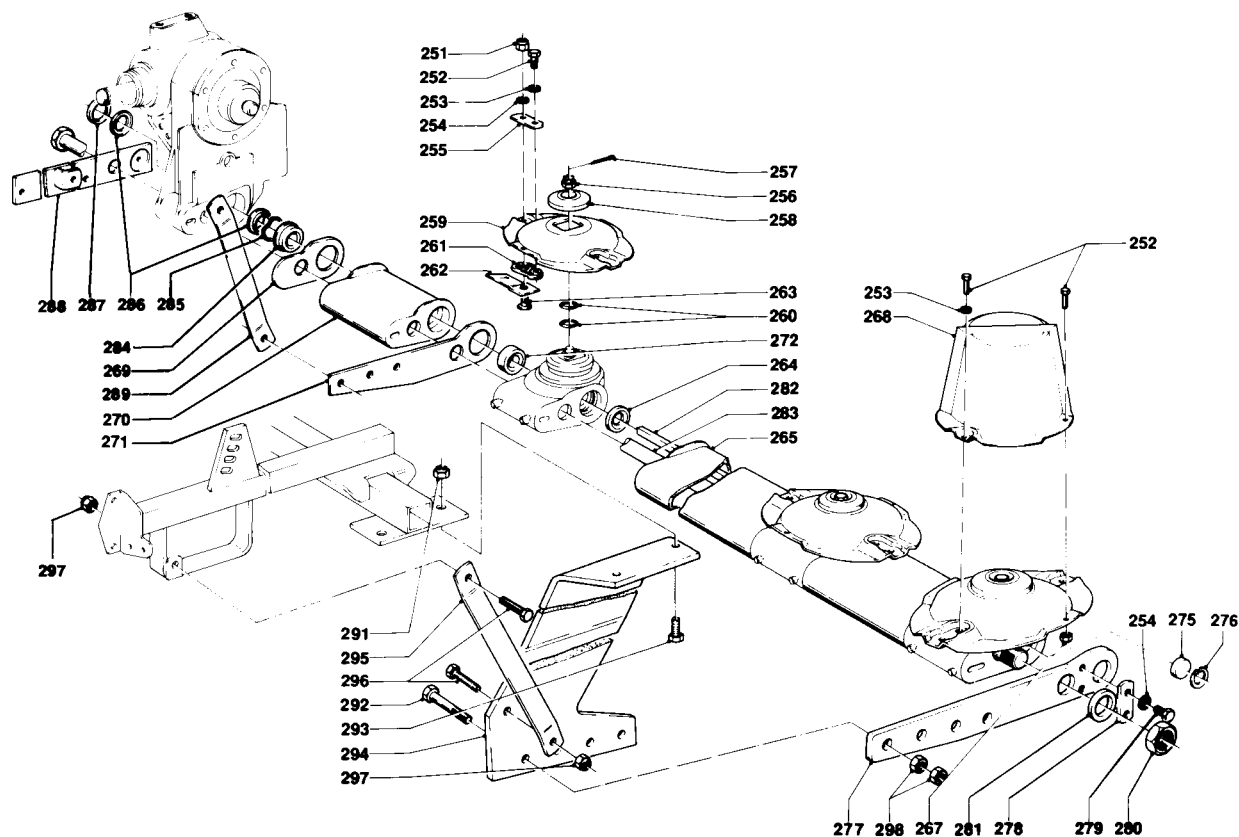
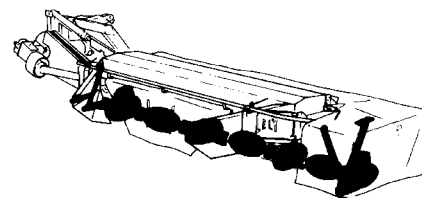
E049-01-00

REF.	ONDERDEELNR. PART NUMBER REFERENCE TEILNUMMER	AANTAL QUANTITY QUANTITE ANZAHL	
251	9.1030.0018*2	14	M10 DIN 985-10
252	9.1113.0014*6	14	M8x20 DIN 933-8.8
253	9.1051.0001*6	14	A8,4 DIN 6798 [//////]
254	9.1051.0002*0	14	A10,5 DIN 6798 [//////]
255	4.1201.1468.0	14	
256	9.1031.0013.3	(7)	(= 221) M18x1,5 DIN 937-22H
257	9.1072.0017.1	7	3x30 DIN 94
258	4.1201.1467.0	(7)	(= 222)
259	4.1201.1469.0	7	
260	9.1043.0020.5	14	OR 16x3
261	4.1201.0142.0	14	
262	4.1201.1474.0	8	[RD]
	4.1201.1473.0	6	[LD][x]
263	4.1201.0141*0	14	
264	4.1201.0145.0	12	
265	4.1201.0143.0	5	L= 250 mm
	4.1202.0148.0	1	L= 285 mm
266	9.1113.0013*5	4	M8x16 DIN 933-8.8
267	9.1030.0012*3	4	M8 DIN 985-8
268	4.1201.0391.0	2	
269	4.1217.0238.0	1	
270	4.1211.0368.0	1	L= 233 mm
271	4.1210.2019.0	1	
272	4.1217.0236.0	1	

REF.	ONDERDEELNR. PART NUMBER REFERENCE TEILNUMMER	AANTAL QUANTITY QUANTITE ANZAHL	
275	4.1201.0329.0	1	
276	9.1120.0028.6	1	18x1,00 DIN 472
277	4.1207.0330.0	1	[R]
278	4.1201.0135.0	1	
279	9.1113.0026*4	2	M10x16 DIN 933-8.8
280	9.1029.0024*2	1	M30x1,5 DIN 934-8
281	9.1052.0011.1	1	S30x42x2,5 DIN 988
282	4.1210.0149.0	1	
283	4.1210.0400.0	1	
284	4.1217.0237.0	1	
285	9.1049.0012.5	1	51x42 G-6205
286	9.1107.0006.4	2	6205 ZJV
287	4.1207.0359.0	1	
288	4.1207.0341.0	1	[L]
289	4.1217.0126.0	1	[L]
290	9.1051.0002*0	2	A10,5 DIN 6798 [//////]
291	9.1030.0015*6	2	M14 DIN 985-8
292	9.1113.0246*0	4	M14x55 DIN 931-8.8
293	9.1113.0142*1	2	M14x40 DIN 933-8.8
294	4.1217.0240.0	1	
295	4.1217.0127.0	1	[R]
296	9.1113.0125*5	4	M12x35 DIN 933-8.8
297	9.1030.0013*4	4	M12 DIN 985-8
298	9.1029.0012*4	8	M14 DIN 934-8

LELY

	type nummer type number numéro de type Typnummer	vanaf serienummer as from serial number après numéro de série ab Seriennummer
OPTIMO 280 C	4.1217.0202.1	998 - 0616
OPTIMO 280 C	4.1217.0203.1	1013 - 0501
OPTIMO 280 C	4.1217.0204.1	10111 - 0501



E049-02-00

REF.	ONDERDEELNR. PART NUMBER REFERENCE TEILNUMMER	AANTAL QUANTITY QUANTITE ANZAHL		
------	--	--	--	--

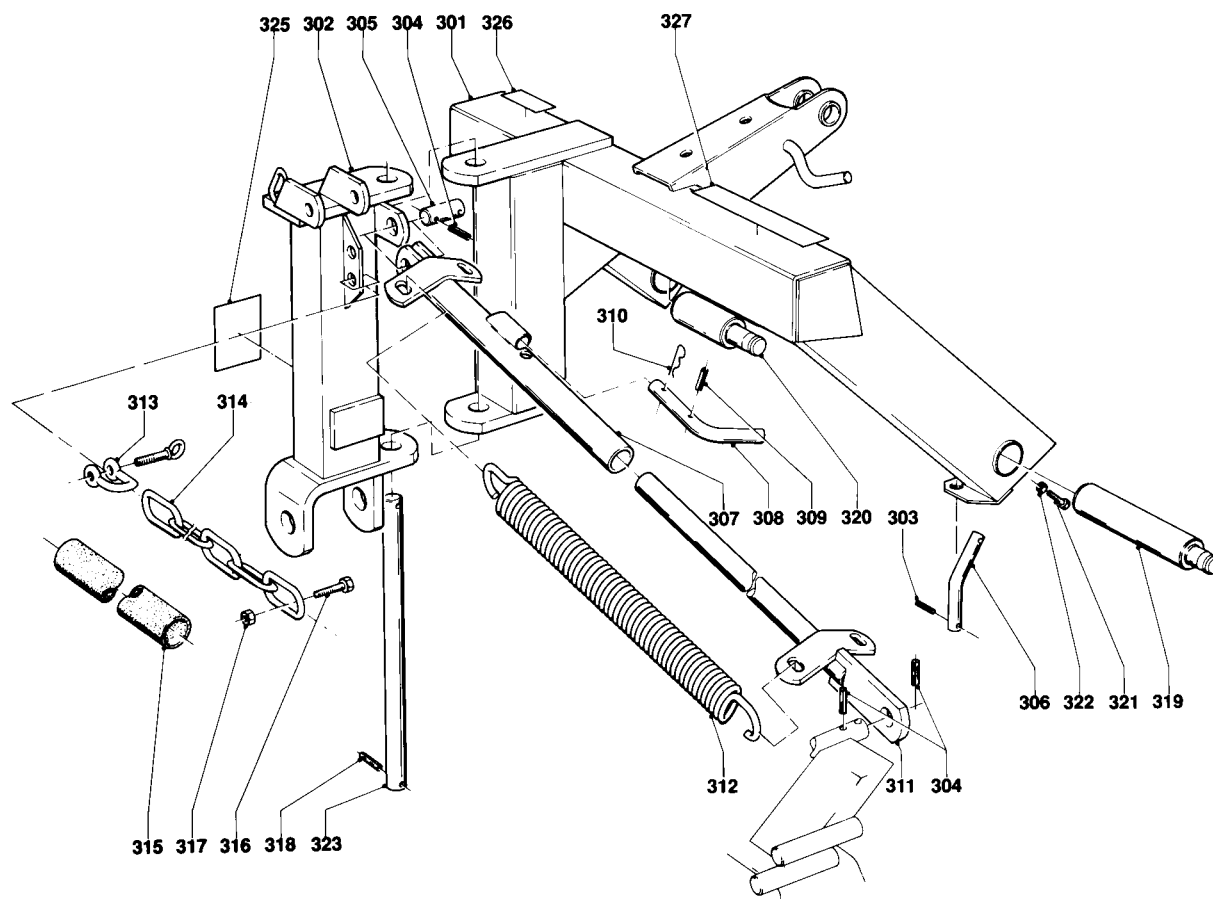
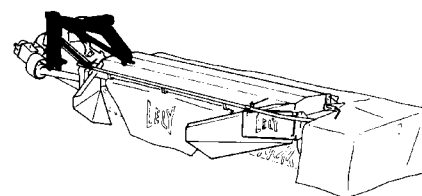
251	9.1030.0018*2	14	M10 DIN 985-10	
252	9.1113.0014*6	18	M8x20 DIN 933-8.8	
253	9.1051.0001*6	14	A8,2 DIN 6798	[////]
254	9.1051.0002*0	12	A10,5 DIN 6798	[////]
255	4.1201.1468.0	14		
256	9.1031.0013.3	(7)	(= REF. 221)	M18x1,5
257	9.1072.0017.1	7	3x30 DIN 94	
258	4.1201.1467.0	(7)	(= REF. 222)	
259	4.1201.1469.0	7		
260	9.1043.0020.5	14	OR 16x3	
261	4.1201.0142.0	14		
262	4.1201.1474.0	8	[RD]	L= 120 mm
	4.1201.1473.0	6	[LD][x]	L= 120 mm
263	4.1201.0141*0	14		
264	4.1201.0145.0	12		
265	4.1201.0143.0	5	L= 250 mm	
	4.1202.0148.0	1	L= 285 mm	
267	9.1030.0012*3	4	M8 DIN 985-8	
268	4.1201.0391.0	2		
269	4.1217.0238.0	1		
270	4.1211.0368.0	1	L= 233 mm	
271	4.1210.2019.0	1		
272	4.1217.0236.0	1		

REF.	ONDERDEELNR. PART NUMBER REFERENCE TEILNUMMER	AANTAL QUANTITY QUANTITE ANZAHL		
------	--	--	--	--

275	4.1201.0329.0	1		
276	9.1120.0028.6	1	18x1,00 DIN 472	
277	4.1207.0330.0	1	[R]	
278	4.1201.0135.0	1		
279	9.1113.0027*5	2	M10x20 DIN 933-8.8	
280	9.1029.0024*2	1	M30x1,5 DIN 934-8	
281	9.1052.0011.1	1	S30x42x2,5 DIN 988	
282	4.1210.0149.0	1		
283	4.1210.0400.0	1		
284	4.1217.0237.0	1		
285	9.1049.0012.5	1	51x42 G-6205	
286	9.1107.0006.4	2	6205 ZJV	
287	4.1207.0359.0	1		
288	4.1207.0341.0	1	[L]	
289	4.1217.0126.0	1	[L]	
291	9.1030.0015*6	2	M14 DIN 985-8	
292	9.1113.0246*0	4	M14x55 DIN 931-8.8	
293	9.1113.0142*1	2	M14x40 DIN 933-8.8	
294	4.1217.0241.0	1		
295	4.1217.0127.0	1	[R]	
296	9.1113.0125*5	3	M12x35 DIN 933-8.8	
	9.1113.0054*4	1	M12x45 DIN 931-8.8	
297	9.1030.0013*4	4	M12 DIN 985-8	
298	9.1029.0012*4	8	M14 DIN 934-8	

LELY

	type number type number numéro de type Typnummer	vanaf serienummer as from serial number après numéro de serie ab Seriennummer
OPTIMO 280 C	4.1217.0201.1	972 - 0501



E026-05-00

REF.	ONDERDEELNR. PART NUMBER REFERENCE TEILNUMMER	AANTAL QUANTITY QUANTITE ANZAHL
------	--	--

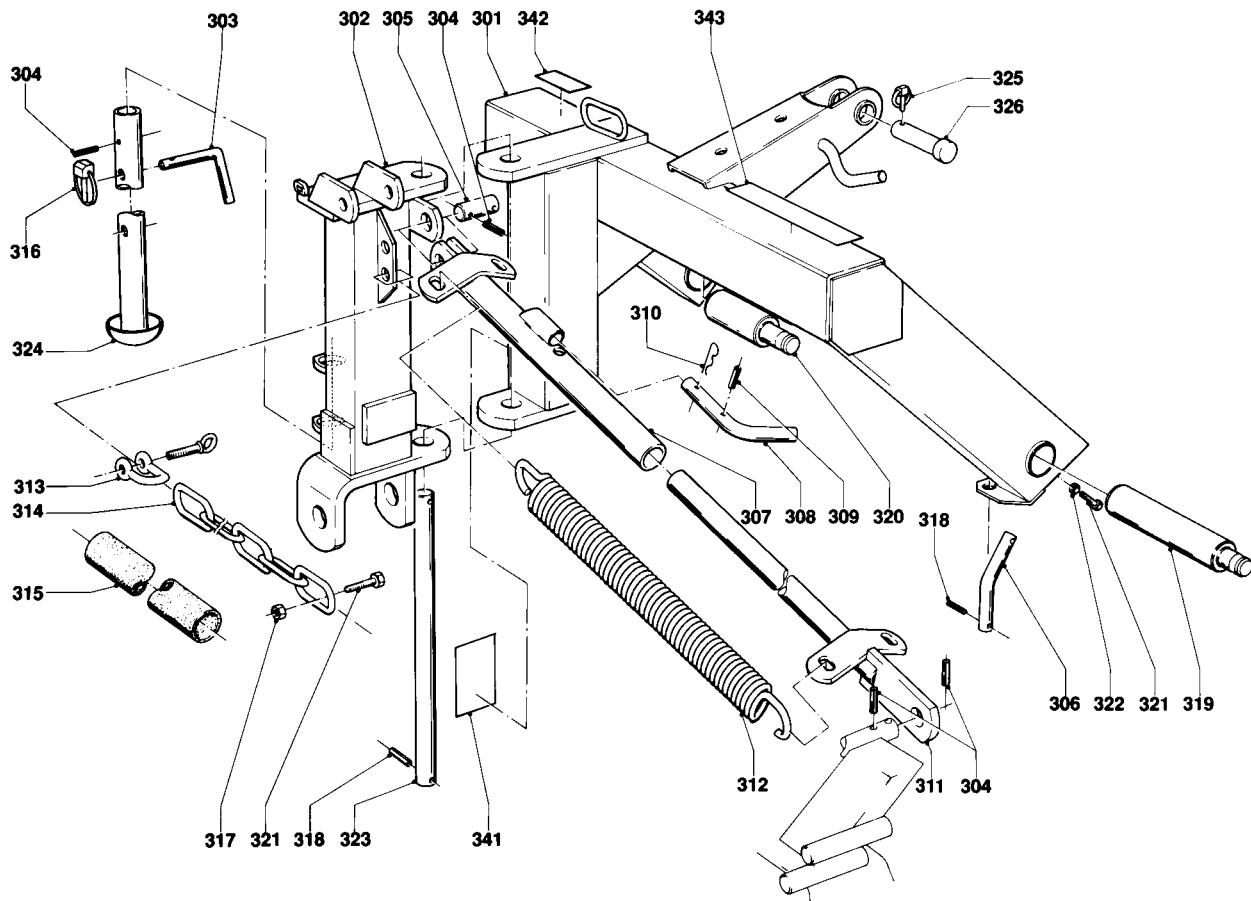
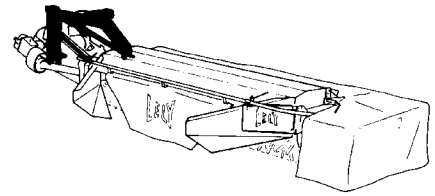
301	4.1208.0341.0	1
302	4.1207.0461.0	1
303	9.1070.0028*0	2
304	9.1070.0023*2	6
305	4.1207.0612.0	1
306	4.1208.1497.0	1
307	4.1207.0560.0	1
308	4.1002.0083.0	1
309	9.1070.0017*3	1
310	9.1124.0002*4	1
311	4.1207.0550.0	1
312	4.1207.0616.0	2
313	9.1146.0006.0	1
314	9.1144.0034.2	1
315	4.1207.0615.0	1
316	9.1113.0117*4	1
317	9.1030.0004*2	1
318	9.1070.0038*3	2
319	4.1208.1498.0	1
320	4.1208.1499.0	1
321	9.1113.0118*5	2
322	9.1029.0008*0	2
323	4.1207.0611.0	1

REF.	ONDERDEELNR. PART NUMBER REFERENCE TEILNUMMER	AANTAL QUANTITY QUANTITE ANZAHL
------	--	--

325	9.1170.0190.6	1	"Maaihoogte 20" 50 cm" "Mowing height 20" 50 cm" "Hautr. de fauchage 50 cm" "Mähhöhe 20" 50 cm"
326	9.1170.0125.4	1	"MAX. 540 omw/min"
327	9.1170.0091.5	1	"ATTENTIE PTO INSCHAKELEN BIJ STATIONAIR TOERENTAL"



	type number type number numéro de type Typnummer	vanaf serienummer as from serial number après numéro de serie ab Seriennummer
OPTIMO 280 C	4.1217.0202.1	983 - 0501



E026-07-10

REF.	ONDERDEELNR. PART NUMBER REFERENCE TEILNUMMER	AANTAL QUANTITY QUANTITE ANZAHL
------	--	--

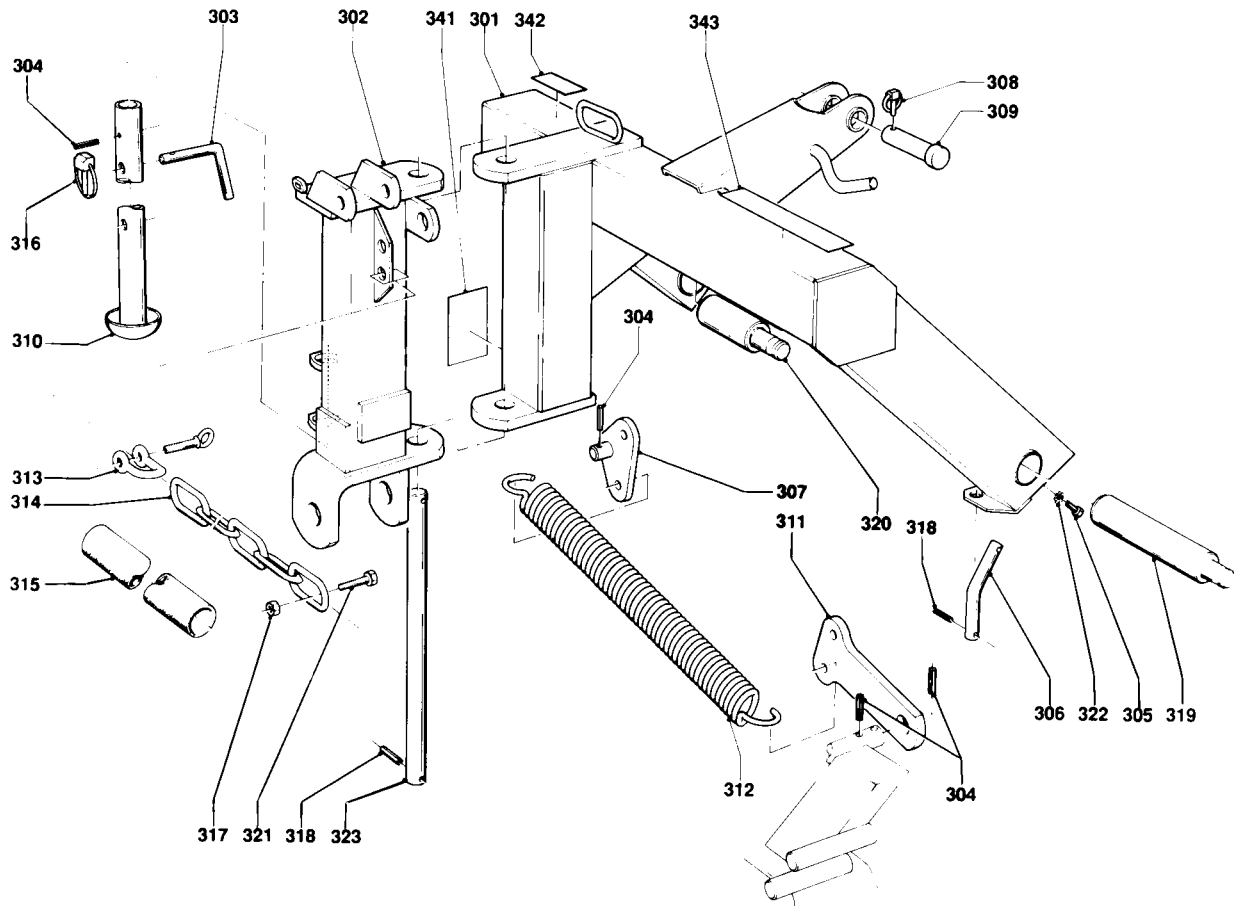
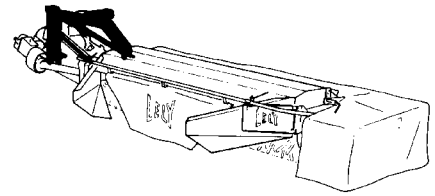
301	4.1208.0341.0	1
302	4.1207.0462.0	1
303	4.1003.0142.0	1
304	9.1070.0023*2	5
305	4.1207.0612.0	1
	Ø8x50 DIN 1481	
306	4.1208.1497.0	1
307	4.1207.0560.0	1
308	4.1002.0083.0	1
309	9.1070.0018*4	1
310	9.1124.0002*4	1
	Ø6x40 DIN 1481	
	Ø3	
311	4.1207.0550.0	1
312	4.1207.0616.0	2
313	9.1146.0006.0	1
314	4.1207.0609.0	1
315	4.1207.0615.0	1
	16x(8x52)	
316	9.1123.0003*6	1
317	9.1030.0013*4	1
	M12 DIN 985-8	
318	9.1070.0028*0	4
	Ø10x60 DIN 1481	
319	4.1208.1498.0	1
320	4.1208.1499.0	1
321	9.1113.0118*5	3
	M12x40 DIN 933-8.8	
322	9.1029.0008*0	2
	M12 DIN 934-8	
323	4.1207.0611.0	1
324	4.1207.0250.0	1
325	9.1123.0002*5	1
	8x11	

REF.	ONDERDEELNR. PART NUMBER REFERENCE TEILNUMMER	AANTAL QUANTITY QUANTITE ANZAHL
------	--	--

326	9.1088.0005*1	1
341	9.1170.0281.6	1
	25x95	
	"Maaihoogte 22" 55 cm"	
	"Mowing height 22" 55 cm"	
	"Hautr. de fauchage 55 cm"	
	"Mähhöhe 22" 55 cm"	
342	9.1170.0125.4	1
	"MAX. 540 omw/min"	
343	9.1170.0091.5	1
	"ATTENTIE PTO INSCHAKELEN BIJ STATIONAIR TOERENTAL"	



	type number type number numéro de type Typnummer	vanaf serienummer as from serial number après numéro de serie ab Seriennummer
OPTIMO 280 C	4.1217.0202.1	998 - 0616



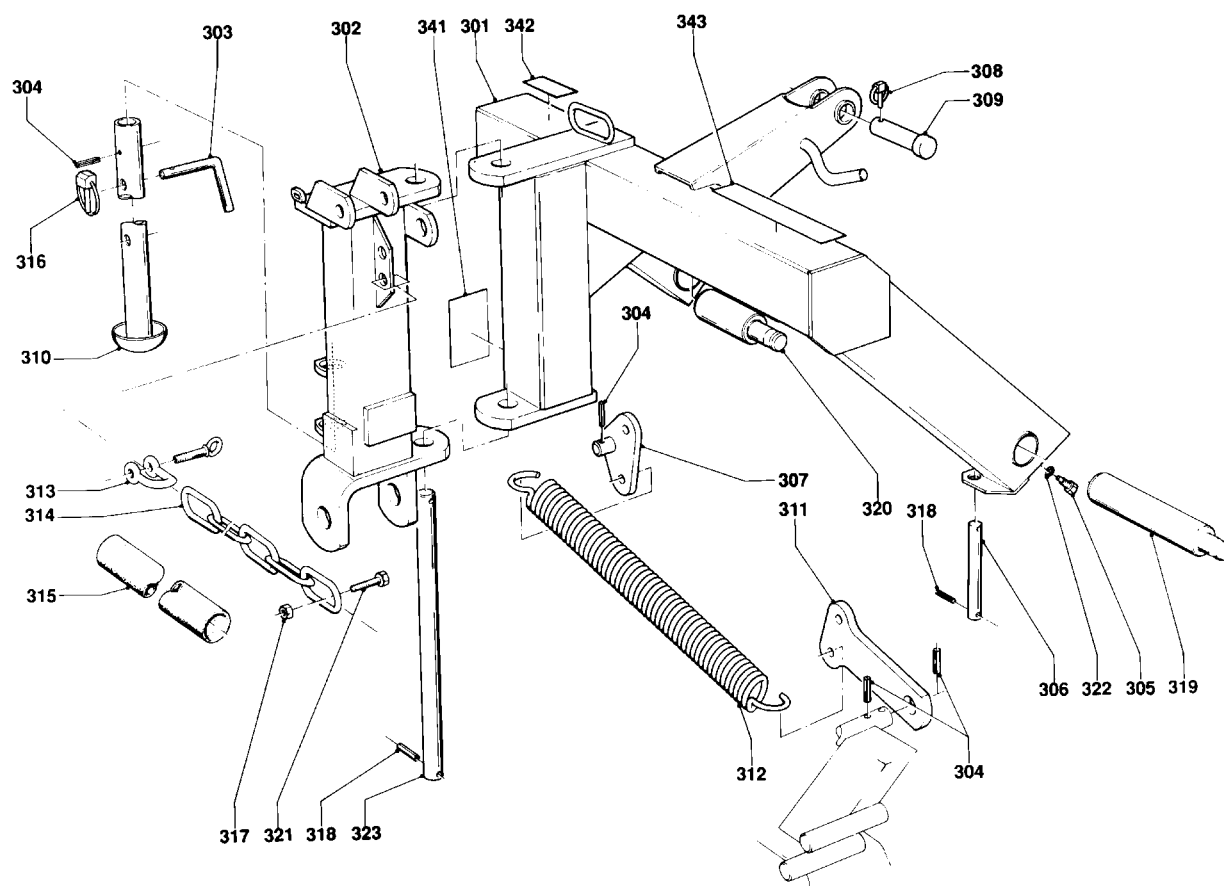
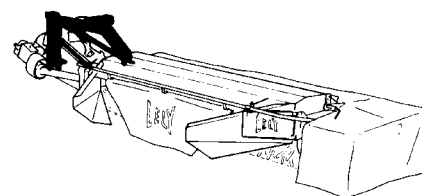
E026-08-00

REF.	ONDERDEELNR. PART NUMBER REFERENCE TEILNUMMER	AANTAL QUANTITY QUANTITE ANZAHL	
301	4.1208.0341.0	1	
302	4.1207.0462.0	1	
303	4.1003.0142.0	1	
304	9.1070.0023*2	4	Ø8x50 DIN 1481
305	9.1113.0047*4	2	M12x20 DIN 933-8.8
306	4.1208.1497.0	1	
307	4.1207.0630.0	1	
308	9.1123.0002*5	1	8x11
309	9.1088.0005*1	1	25-95
310	4.1207.0250.0	1	
311	4.1207.0606.0	1	
312	4.1207.0616.0	2	
313	9.1146.0006.0	1	
314	4.1207.0609.0	1	16x(8x52)
315	4.1207.0615.0	1	
316	9.1123.0003*6	1	6x6
317	9.1030.0013*4	1	M12 DIN 985-8
318	9.1070.0028*0	4	Ø10x60 DIN 1481
319	4.1208.1498.0	1	
320	4.1208.1499.0	1	
321	9.1113.0118*5	1	M12x40 DIN 933-8.8
322	9.1051.0003*1	2	A12,5 DIN 6798 [//////]
323	4.1207.0611.0	1	

REF.	ONDERDEELNR. PART NUMBER REFERENCE TEILNUMMER	AANTAL QUANTITY QUANTITE ANZAHL	
341	9.1170.0281.6	1	"Maaihoogte 22" 55 cm" "Mowing height 22" 55 cm" "Hautr. de fauchage 55 cm" "Mähhöhe 22" 55 cm"
342	9.1170.0125.4	1	"MAX. 540 omw/min"
343	9.1170.0091.5	1	"ATTENTIE PTO INSCHAKELEN BIJ STATIONAIR TOERENTAL"

LELY

	type number type number numéro de type Typnummer	vanaf serienummer as from serial number après numéro de série ab Serienummer
OPTIMO 280 C	4.1217.0203.1	1013 - 0501
OPTIMO 280 C	4.1217.0204.1	10111 - 0501



E026-09-00

REF.	ONDERDEELNR. PART NUMBER REFERENCE TEILNUMMER	AANTAL QUANTITY QUANTITE ANZAHL	
------	--	--	--

301	4.1208.0342.0	1	
302	4.1207.0462.0	1	
303	4.1003.0142.0	1	
304	9.1070.0023.2	4	Ø8x50 DIN 1481
305	4.1208.0347.0	2	M16
306	4.1208.1496.0	1	
307	4.1207.0630.0	1	
308	9.1123.0002*5	1	Ø11
309	9.1088.0005*1	1	25-95
310	4.1207.0250.0	1	
311	4.1207.0606.0	1	
312	4.1207.0616.0	2	
313	9.1146.0006.0	1	
314	4.1207.0609.0	1	16x(8x52)
315	4.1207.0615.0	1	
316	9.1123.0003*6	1	Ø6
317	9.1030.0013*4	1	M12 DIN 985-8
318	9.1070.0028.0	4	Ø10x60 DIN 1481
319	4.1208.1498.0	1	
320	4.1208.1499.0	1	
321	9.1113.0118*5	1	M12x40 DIN 933-8.8
322	9.1051.0004*2	2	A16,5 DIN 6798 [//////]
323	4.1207.0611.0	1	

REF.	ONDERDEELNR. PART NUMBER REFERENCE TEILNUMMER	AANTAL QUANTITY QUANTITE ANZAHL	
------	--	--	--

341	9.1170.0281.6	1	"Maaihoogte 22" 55 cm" "Mowing height 22" 55 cm" "Hautr. de fauchage 55 cm" "Mähhöhe 22" 55 cm"
342	9.1170.0125.4	1	"MAX. 540/min"
343	9.1170.0091.5	1	"ATTENTIE: PTO INSCHAKELEN BIJ STATIONAIR TOERENTAL"

LELY

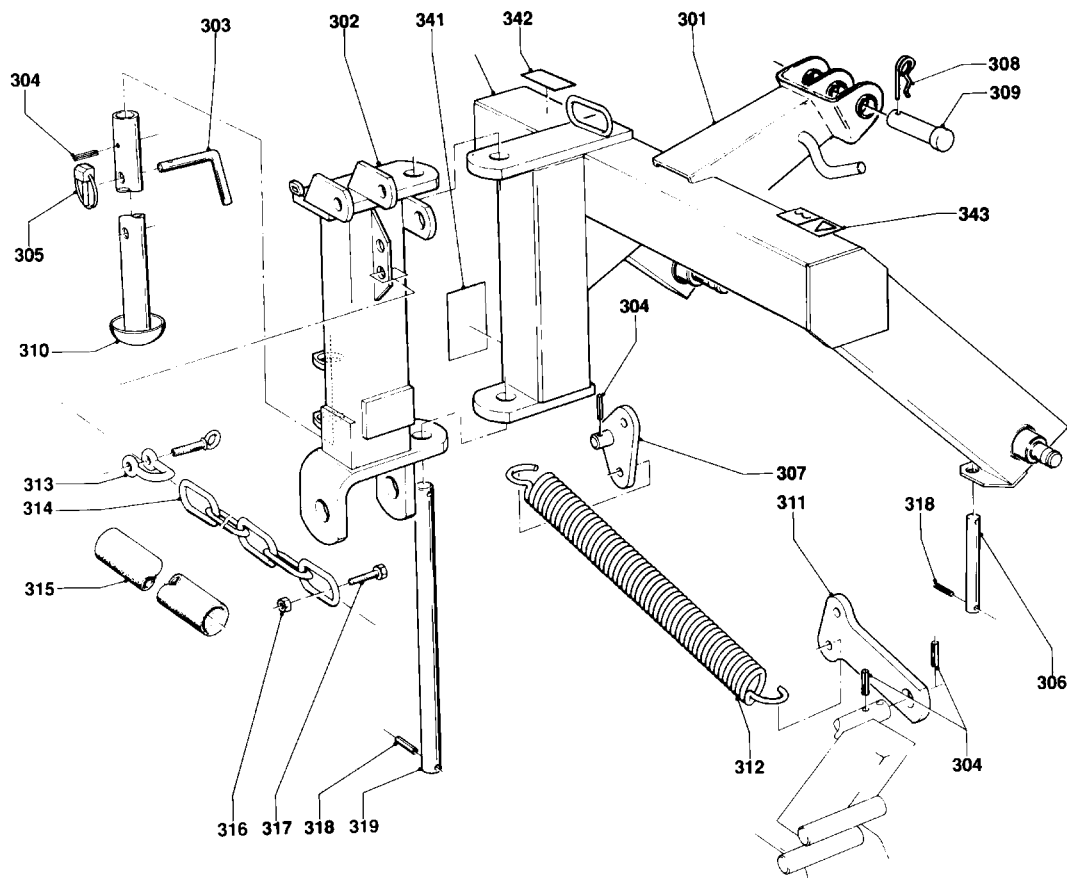
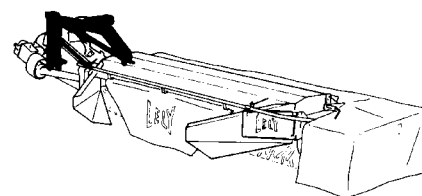
OPTIMO 280 C

type number
type number
numéro de type
Typnummer

4.1217.0204.1

vanaf serienummer
as from serial number
après numéro de série
ab Seriennummer

10213 - 0551



E026-09-10

REF.	ONDERDEELNR. PART NUMBER REFERENCE TEILNUMMER	AANTAL QUANTITY QUANTITE ANZAHL
------	--	--

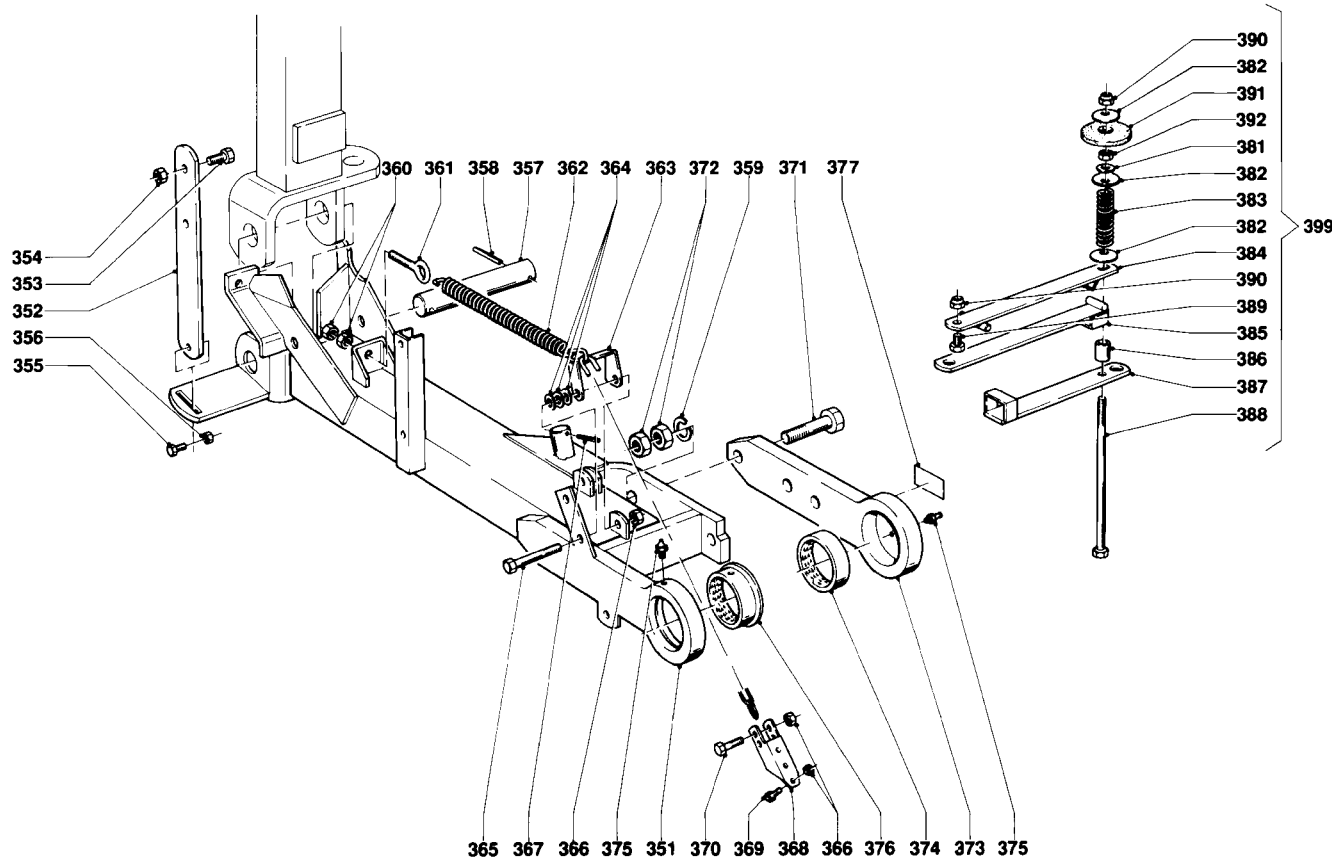
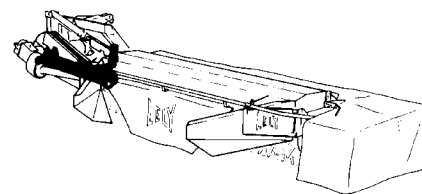
301	4.1220.0450.0	1
302	4.1207.0462.0	1
303	4.1003.0142.0	1
304	9.1070.0023.2	4
305	9.1123.0003*6	1
		Ø8x50 DIN 1481
		Ø6
306	4.1208.1496.0	1
307	4.1207.0630.0	1
308	9.1124.0004*6	1
309	9.1088.0005*1	1
		25-95
310	4.1207.0250.0	1
311	4.1207.0606.0	1
312	4.1207.0616.0	2
313	9.1146.0006.0	1
314	4.1207.0609.0	1
		16x(8x52)
315	4.1207.0615.0	1
316	9.1030.0013*4	1
		M12 DIN 985-8
317	9.1113.0118*5	1
		M12x40 DIN 933-8.8
318	9.1070.0028.0	4
		Ø10x60 DIN 1481
319	4.1207.0611.0	1

REF.	ONDERDEELNR. PART NUMBER REFERENCE TEILNUMMER	AANTAL QUANTITY QUANTITE ANZAHL
------	--	--

341	9.1170.0281.6	1	"Maaihoogte 22" 55 cm"
			"Mowing height 22" 55 cm"
			"Hautr. de fauchage 55 cm"
			"Mähhöhe 22" 55 cm"
342	9.1170.0125.4	1	"MAX. 540/min"
343	9.1170.0408.0	1	



	type nummer type number numéro de type Typnummer	vanaf serienummer as from serial number après numéro de série ab Seriennummer
OPTIMO 280 C	4.1207.0201.1	972 - 0501



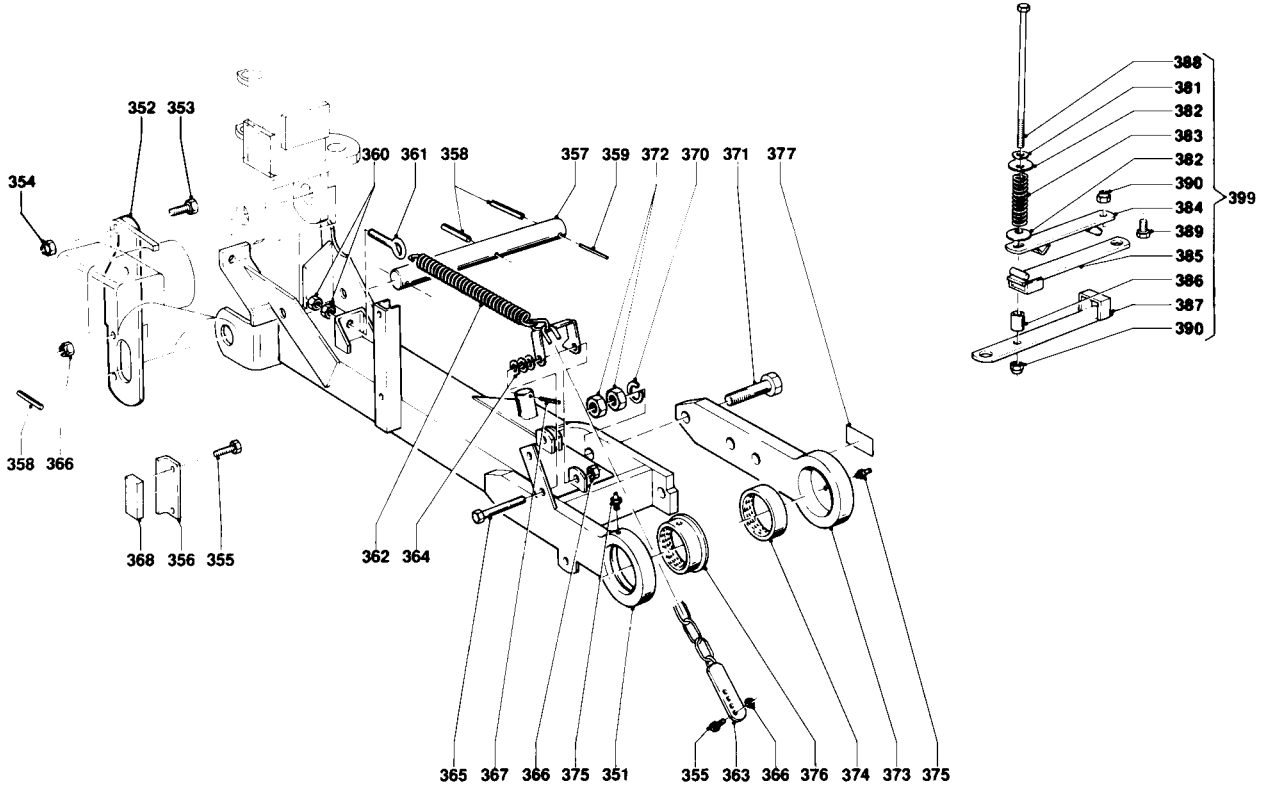
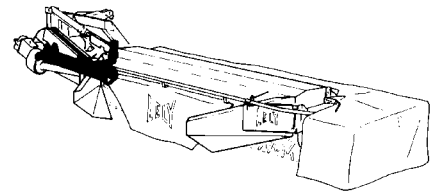
E011-05-00

REF.	ONDERDEELNR. PART NUMBER REFERENCE TEILNUMMER	AANTAL QUANTITY QUANTITE ANZAHL	
351	4.1207.0482.0	1	
352	4.1207.1497.0	1	
353	9.1113.0118*5	2	M12x40 DIN 933-8.8
354	9.1030.0013*4	2	M12 DIN 985-8
355	9.1113.0014*6	1	M8x20 DIN 933-8.8
356	9.1030.0012*3	1	M8 DIN 985-8
357	4.1207.0610.0	1	
358	9.1070.0038*3	2	Ø10x75 DIN 1481
359	9.1121.0014*5	3	A20 DIN 127 [/]
360	9.1029.0008*0	2	M12 DIN 934-8
361	9.1114.0003.1	1	
362	4.1201.1481.0	1	
363	4.1201.0550.0	1	
364	9.1048.0007*1	4	A10,5 DIN 125 [—]
365	9.1113.0043*0	1	M10x110 DIN 931-8.8
366	9.1030.0004*2	4	M10 DIN 985-8
367	9.1070.0028*0	1	Ø10x60 DIN 1481
368	4.1201.1464.0	1	
369	9.1113.0029*0	2	M10x25 DIN 933-8.8
370	9.1113.0035*6	1	M10x50 DIN 931-8.8
371	9.1113.0094*2	3	M20x90 DIN 931-8.8
372	9.1029.0016*1	6	M20 DIN 934-8
373	4.1207.0580.0	1	
374	4.1201.1482.0	1	
375	9.1068.0007*2	2	AM8x1,25 DIN 71412
376	4.1207.0620.0	1	
377	9.1170.0205.0	2	"SMEERPUNT"

REF.	ONDERDEELNR. PART NUMBER REFERENCE TEILNUMMER	AANTAL QUANTITY QUANTITE ANZAHL	
381	9.1048.0053*5	2	A15 DIN 125 [—]
382	9.1091.0008*1	3	40x14,3x1,5 DIN 2093
383	4.1203.0219.0	1	
384	4.1201.0220.0	1	
385	4.1201.0230.0	1	
386	4.1201.0259.0	1	
387	4.1201.0240.0	1	
388	9.1113.0161*6	1	M14x260 DIN 931-8.8
389	9.1113.0119*6	1	M14x30 DIN 933-8.8
390	9.1030.0015*6	2	M14 DIN 985-8
391	4.1201.0219.0	1	
392	9.1029.0012*4	1	M14 DIN 934-8
399	4.1203.0210.0	1	= REF. 381-392



	type nummer type number numéro de type Typnummer	vanaf serienummer as from serial number après numéro de serie ab Seriennummer
OPTIMO 280 C	4.1207.0202.1	983 - 0501



E011-08-00

REF.	ONDERDEELNR. PART NUMBER REFERENCE TEILNUMMER	AANTAL QUANTITY QUANTITE ANZAHL
------	--	--

351	4.1210.0570.0	1
352	4.1207.1496.0	1
353	9.1113.0125*5	2
354	9.1030.0013*4	2
355	9.1113.0117*4	2
356	4.1207.1495.0	1
357	4.1207.0608.0	1
358	9.1070.0038*3	3
359	9.1070.0062*6	1
360	9.1029.0008*0	2
361	1.1633.1495.0	1
362	4.1201.1481.0	1
363	4.1201.0551.0	1
364	9.1048.0007*1	4
365	9.1113.0043*0	1
366	9.1030.0004*2	5
367	9.1070.0028*0	1
368	4.1207.1494.0	1
370	9.1121.0014*5	3
371	9.1113.0094*2	3
372	9.1029.0016*1	6
373	4.1207.0580.0	1
374	4.1201.1482.0	1
375	9.1068.0007*2	2
376	4.1207.0620.0	1
377	9.1170.0205.0	2

REF.	ONDERDEELNR. PART NUMBER REFERENCE TEILNUMMER	AANTAL QUANTITY QUANTITE ANZAHL
------	--	--

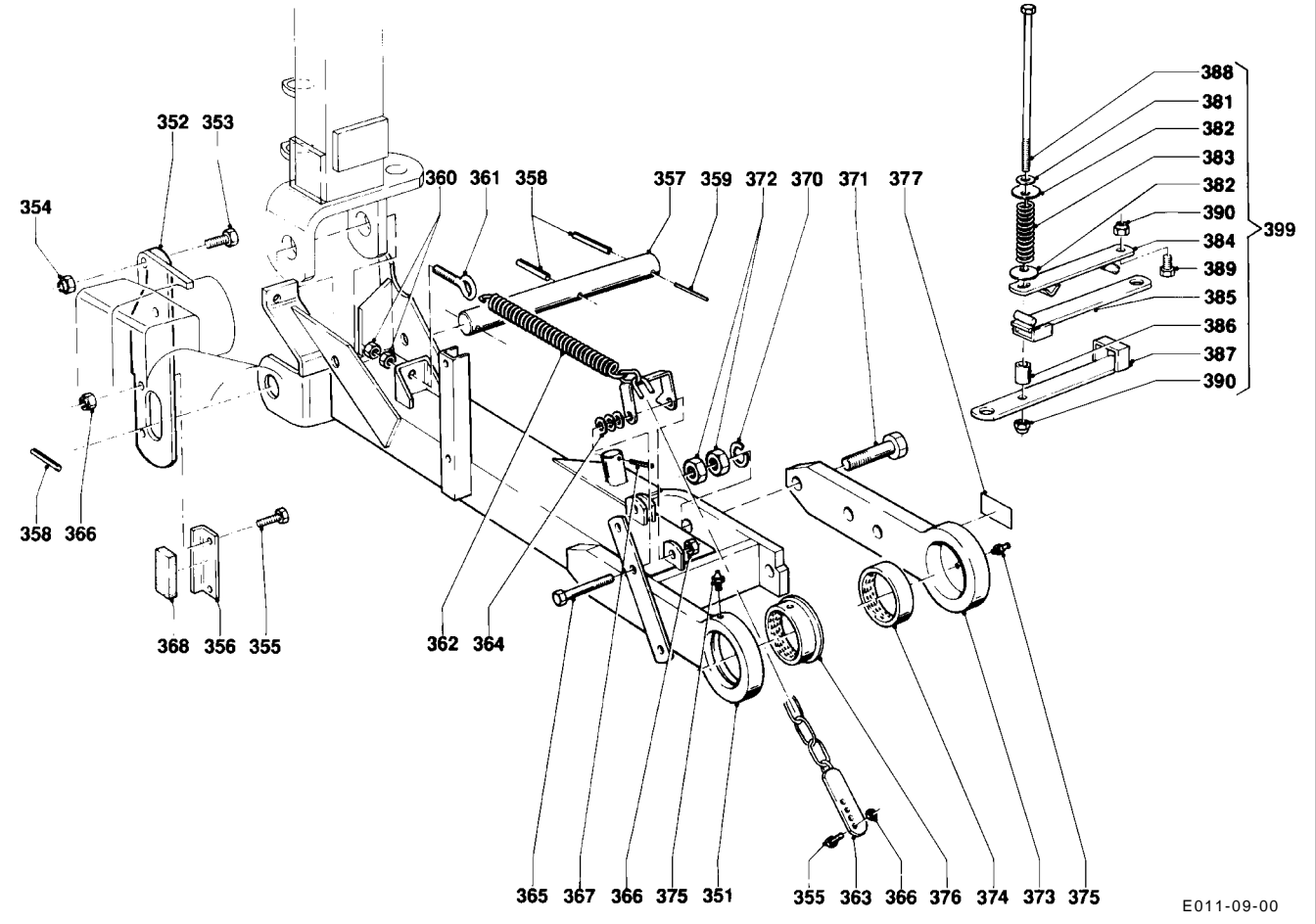
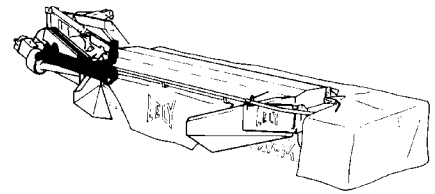
381	9.1048.0053*5	1
382	9.1091.0008*1	2
383	4.1203.0219.0	1
384	4.1201.0221.0	1
385	4.1201.0231.0	1
386	4.1201.0259.0	1
387	4.1201.0241.0	1
388	9.1113.0161*6	1
389	9.1113.0119*6	1
390	9.1030.0015*6	2
399	4.1203.0210.0	1

A15 DIN 125 [—]
 40x14,3x1,5 DIN 2093
 M12x35 DIN 933-8.8
 M12 DIN 985-8
 M10x35 DIN 933-8.8
 L= 364 mm
 Ø10x75 DIN 1481
 Ø6x75 DIN 1481
 M12 DIN 934-8
 M10x110 DIN 931-8.8
 M10 DIN 985-8
 Ø10x60 DIN 1481
 A20 DIN 127 [—]
 M20x90 DIN 931-8.8
 M20 DIN 934-8
 AM8x1,25 DIN 71412
 "SMEERPUNT"

= REF. 381-390



	type nummer type number numéro de type Typnummer	vanaf serienummer as from serial number après numéro de serie ab Seriennummer
OPTIMO 280 C	4.1207.0203.1	1013 - 0501



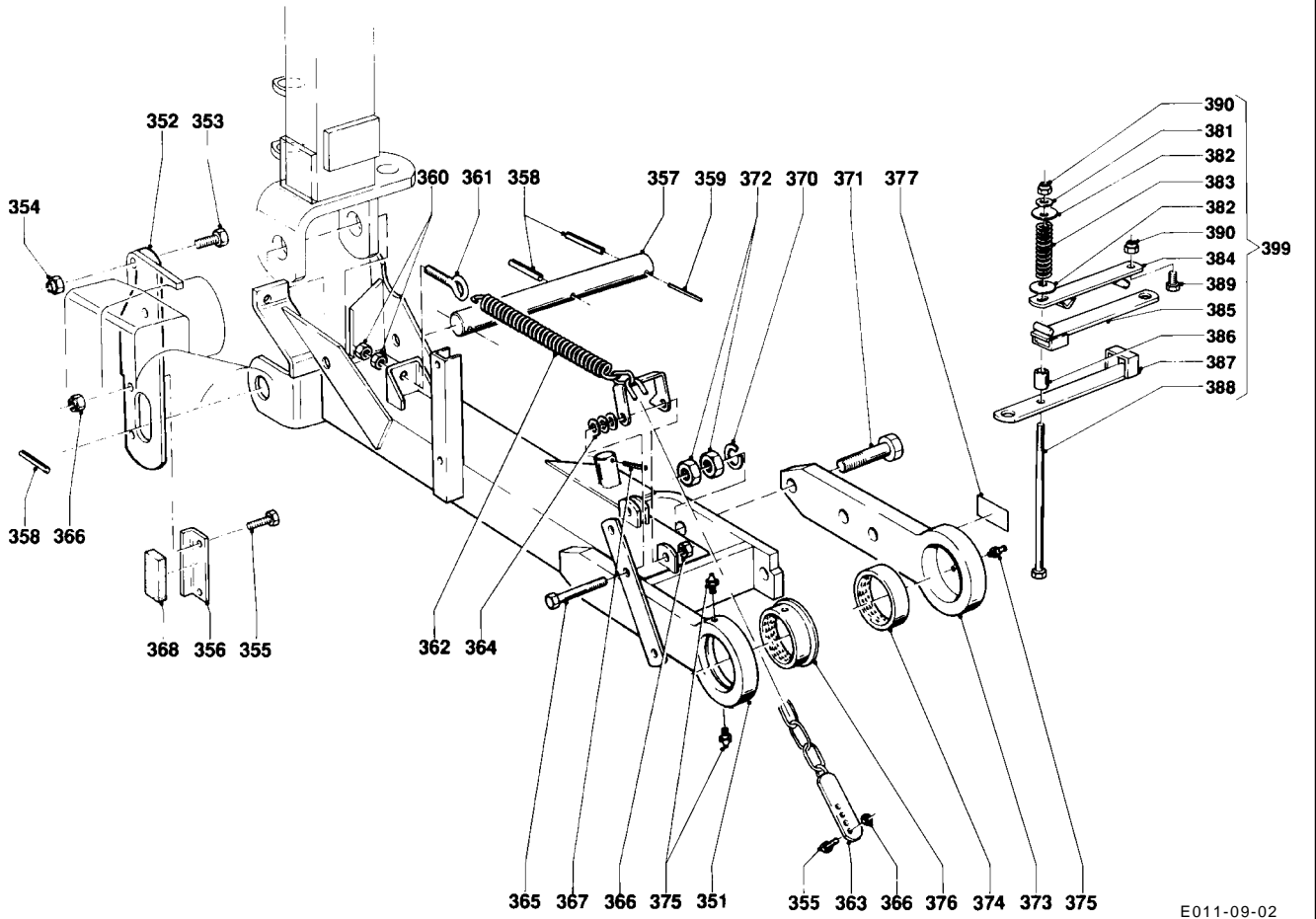
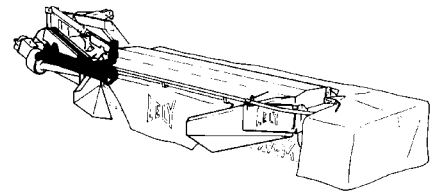
E011-09-00

REF.	ONDERDEELNR. PART NUMBER REFERENCE TEILNUMMER	AANTAL QUANTITY QUANTITE ANZAHL	
351	4.1225.0241.0	1	
352	4.1207.1496.0	1	
353	9.1113.0125*5	2	M12x35 DIN 933-8.8
354	9.1030.0013*4	2	M12 DIN 985-8
355	9.1113.0117*4	2	M10x35 DIN 933-8.8
356	4.1207.1495.0	1	
357	4.1207.0605.0	1	L= 378 mm
358	9.1070.0038.3	3	Ø10x75 DIN 1481
359	9.1070.0062.6	1	Ø6x75 DIN 1481
360	9.1029.0008*0	2	M12 DIN 934-8
361	1.1633.1495.0	1	
362	4.1201.1481.0	1	
363	4.1201.0551.0	1	
364	9.1048.0007*1	4	A10,5 DIN 125 [—]
365	9.1113.0043*0	1	M10x110 DIN 931-8.8
366	9.1030.0004*2	5	M10 DIN 985-8
367	9.1070.0028.0	1	Ø10x60 DIN 1481
368	4.1207.1494.0	1	
370	9.1121.0014*5	3	A20 DIN 127 [—]
371	9.1113.0094*2	3	M20x90 DIN 931-8.8
372	9.1029.0016*1	6	M20 DIN 934-8
373	4.1207.0580.0	1	
374	4.1201.1482.0	1	
375	9.1068.0007*2	2	AM8x1,25 DIN 71412
376	4.1207.0620.0	1	
377	9.1170.0205.0	2	"Smeerpunt" "Greasing point" "Point de graissage" "Schmierstelle"

REF.	ONDERDEELNR. PART NUMBER REFERENCE TEILNUMMER	AANTAL QUANTITY QUANTITE ANZAHL	
381	9.1048.0053*5	1	A15 DIN 125 [—]
382	9.1091.0008*1	2	40x14,3x1,5 DIN 2093
383	4.1203.0219.0	1	
384	4.1201.0221.0	1	
385	4.1201.0231.0	1	
386	4.1201.0259.0	1	
387	4.1201.0241.0	1	
388	9.1113.0161*6	1	M14x260 DIN 931-8.8
389	9.1113.0119*6	1	M14x30 DIN 933-8.8
390	9.1030.0015*6	2	M14 DIN 985-8
399	4.1203.0210.0	1	= REF. 381-390

LELY

	type number type number numéro de type Typnummer	vanaf serienummer as from serial number après numéro de serie ab Seriennummer
OPTIMO 280 C	4.1217.0204.1	10111 - 0501



E011-09-02

REF.	ONDERDEELNR. PART NUMBER REFERENCE TEILNUMMER	AANTAL QUANTITY QUANTITE ANZAHL
------	--	--

351	4.1225.0241.0	1
352	4.1207.1496.0	1
353	9.1113.0125*5	2
354	9.1030.0013*4	2
355	9.1113.0117*4	2
356	4.1207.1495.0	1
357	4.1207.0605.0	1
358	9.1070.0038.3	3
359	9.1070.0062.6	1
360	9.1029.0008*0	2
361	1.1633.1495.0	1
362	4.1201.1481.0	1
363	4.1201.0551.0	1
364	9.1048.0007*1	4
365	9.1113.0044*1	1
366	9.1030.0004*2	5
367	9.1070.0028.0	1
368	4.1207.1494.0	1
370	9.1121.0014*5	3
371	9.1113.0094*2	3
372	9.1029.0016*1	6
373	4.1207.0580.0	1
374	4.1201.1482.0	1
375	9.1068.0007*2	3
376	4.1207.0620.0	1
377	9.1170.0205.0	2
		"Smeerpunt"
		"Greasing point"
		"Point de graissage"
		"Schmierstelle"

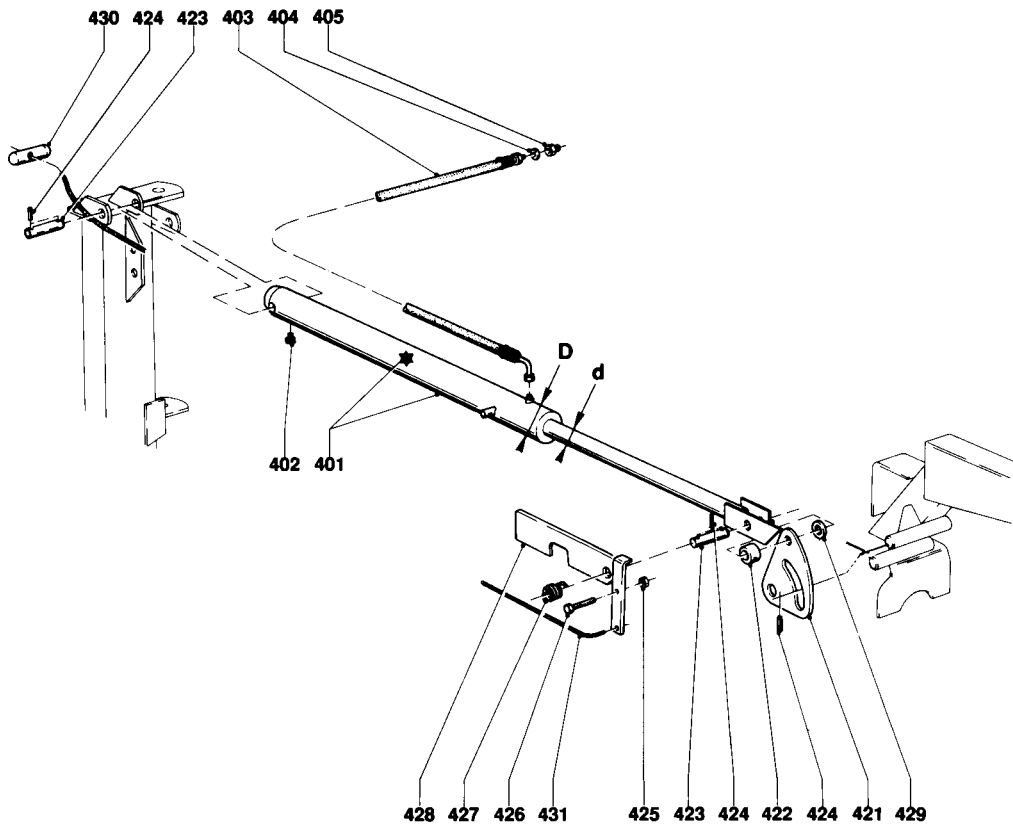
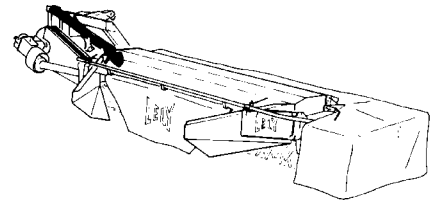
REF.	ONDERDEELNR. PART NUMBER REFERENCE TEILNUMMER	AANTAL QUANTITY QUANTITE ANZAHL
------	--	--

381	9.1048.0053*5	1
382	9.1091.0008*1	2
383	4.1203.0219.0	1
384	4.1219.0111.0	1
385	4.1219.0121.0	1
386	4.1219.0098.0	1
387	4.1219.0130.0	1
388	9.1113.0161*6	1
389	9.1113.0178*2	1
390	9.1030.0015*6	2
399	4.1229.0190.0	1

A15 DIN 125 [—]
40x14,3x1,5 DIN 2093
M12x35 DIN 933-8.8
M12 DIN 985-8
M10x35 DIN 933-8.8
Ø10x75 DIN 1481
Ø6x75 DIN 1481
M12 DIN 934-8
M10x120 DIN 931-8.8
M10 DIN 985-8
Ø10x60 DIN 1481
A20 DIN 127 [—]
M20x90 DIN 931-8.8
M20 DIN 934-8
AM8x1,25 DIN 71412
= REF. 381-390



	type nummer type number numéro de type Typnummer	vanaf serienummer as from serial number après numéro de serie ab Seriennummer
OPTIMO 280 C	4.1217.0201.1	972 - 0501



E023-04-10

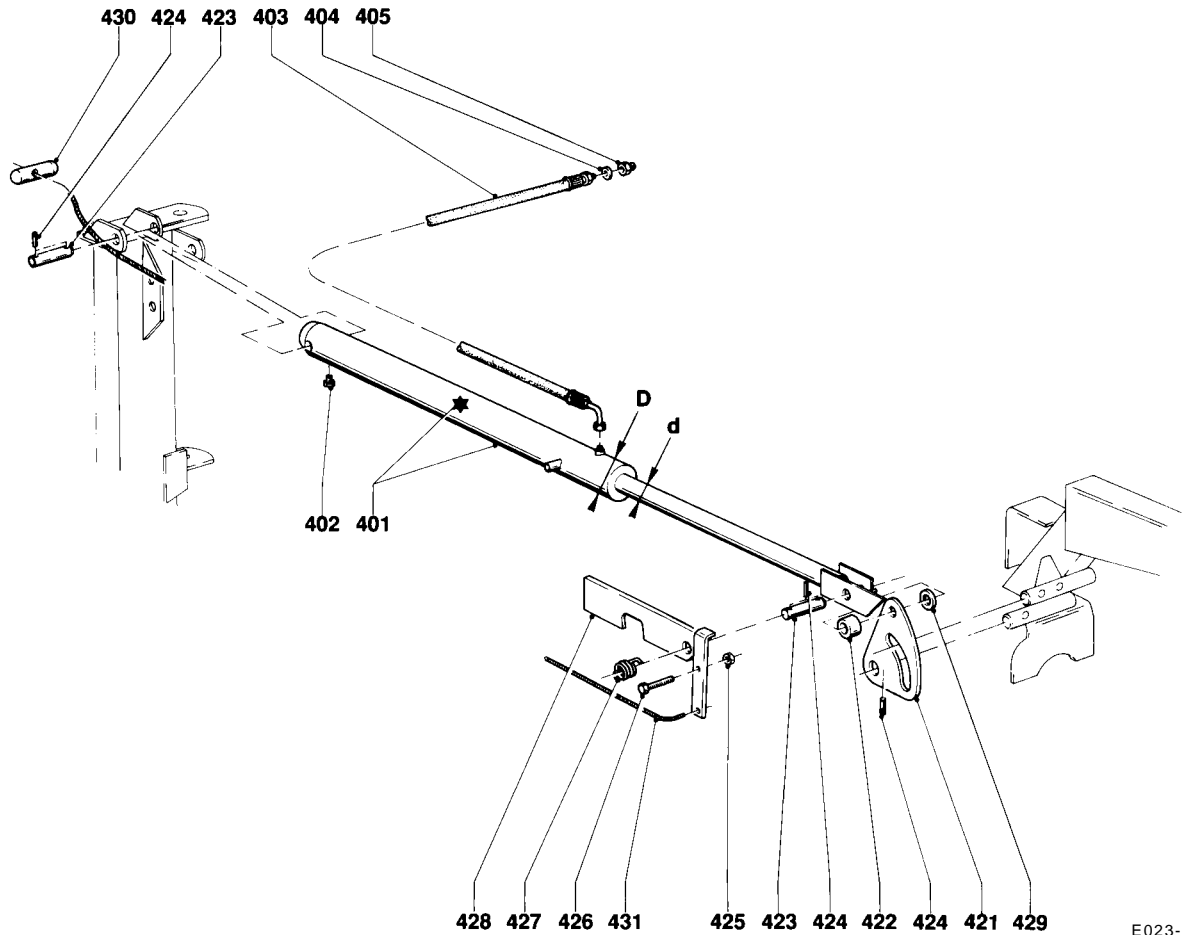
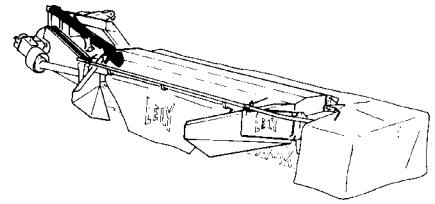
REF.	ONDERDEELNR. PART NUMBER REFERENCE TEILNUMMER	AANTAL QUANTITY QUANTITE ANZAHL	
------	--	--	--

401	4.1207.0390.0	1	(401= 401+ ★ +402) slag / extension: 475 mm course / Hub: 475 mm (d= Ø35, D= Ø60/70) [A+A][x]
★	4.1207.0399.0	-	
402	9.1150.0004.1	1	M14x1,5
403	4.1016.0530.0	1	L= 2060 mm
404	9.1137.0401.5	-	Ø14x20x1,5 []
405	9.1137.0606.0	-	RED-R 3/8"-1/4"
	9.1137.0604.5	-	M18x1,5-1/4"
	9.1137.0603.4	-	RED-R 1/2"-1/4"
	9.1137.0608.2	-	M22x1,5-1/4"
421	4.1207.0617.0	1	
422	4.1207.0548.0	1	
423	4.1207.0613.0	2	
424	9.1070.0023*2	7	Ø8x50 DIN 1481
425	9.1030.0004*2	1	M10 DIN 985-8
426	9.1113.0117*4	1	M10x35 DIN 933-8.8
427	4.1006.0075.0	1	
428	4.1207.0541.0	1	
429	9.1048.0045*4	1	26 DIN 126 []
430	2.3201.0328.0	1	
431	4.1201.1462.0	1	Ø6x4m (1m= 9.1163.0004.2)

REF.	ONDERDEELNR. PART NUMBER REFERENCE TEILNUMMER	AANTAL QUANTITY QUANTITE ANZAHL	
------	--	--	--



	type number type number numéro de type Typnummer	vanaf serienummer as from serial number après numéro de serie ab Seriennummer
OPTIMO 280 C	4.1217.0202.1	983 - 0501



E023-05-01

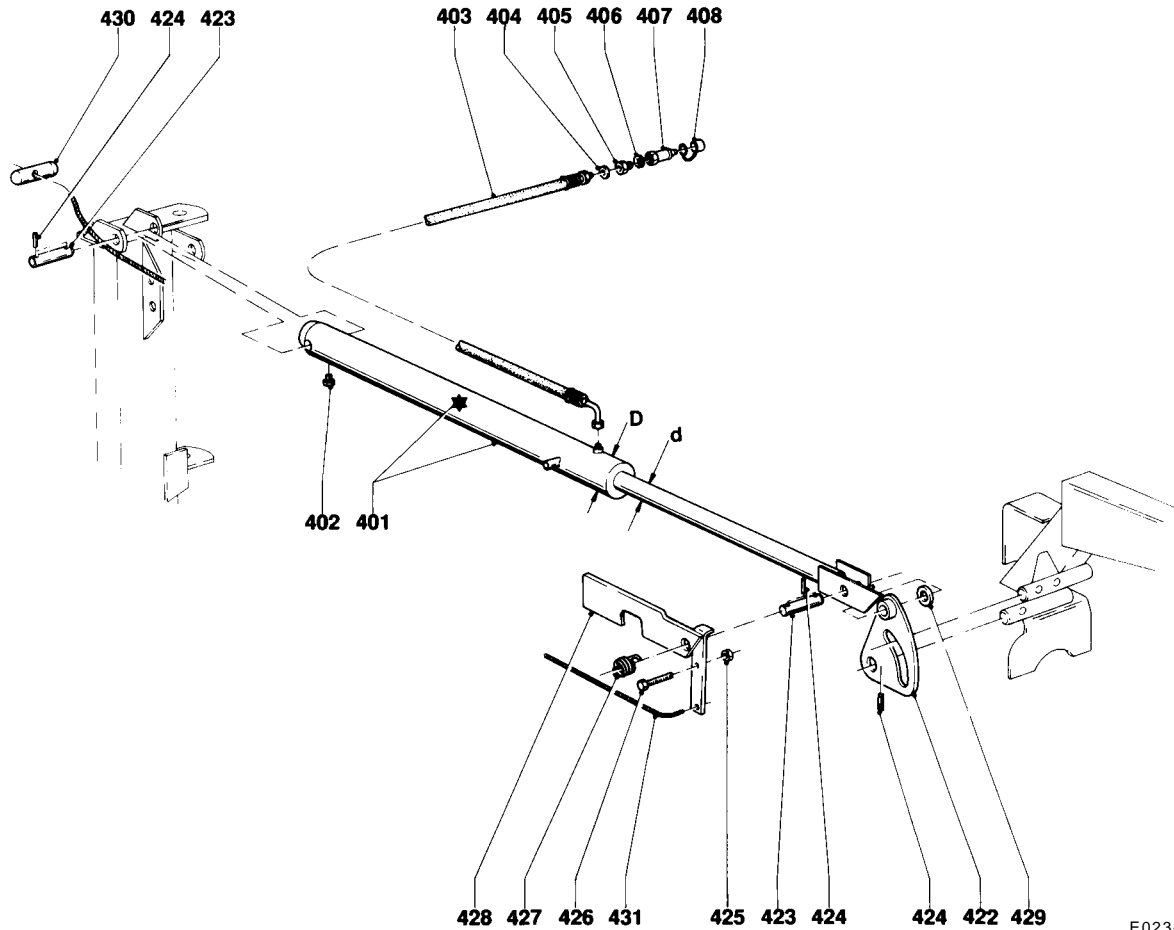
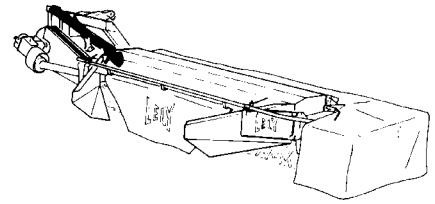
REF.	ONDERDEELNR. PART NUMBER REFERENCE TEILNUMMER	AANTAL QUANTITY QUANTITE ANZAHL	
------	--	--	--

401	4.1207.0391.0	1	(401= 401+ ★ +402) slag / extension: 500 mm course / Hub: 500 mm
★	4.1207.0399.0	(1)	(d= Ø35, D= Ø60/70) [A+A][x]
402	9.1150.0004.1	(1)	M14x1,5
403	4.1016.0530.0	1	L= 2060 mm
404	9.1137.0401.5	-	Ø14x20x1,5 Cu []
405	9.1137.0606.0	-	RED-R 3/8"-1/4"
	9.1137.0604.5	-	M18x1,5-1/4"
	9.1137.0603.4	-	RED-R 1/2"-1/4"
	9.1137.0608.2	-	M22x1,5-1/4"
421	4.1217.0500.0	1	
422	4.1207.0548.0	1	
423	4.1207.0613.0	2	
424	9.1070.0023*2	7	Ø8x50 DIN 1481
425	9.1030.0004*2	1	M10 DIN 985-8
426	9.1113.0117*4	1	M10x35 DIN 933-8.8
427	4.1006.0075.0	1	
428	4.1207.0541.0	1	
429	9.1048.0045*4	1	26 DIN 126 []
430	2.3201.0328.0	1	
431	4.1201.1462.0	1	Ø6x4m (1m= 9.1163.0004.2)

REF.	ONDERDEELNR. PART NUMBER REFERENCE TEILNUMMER	AANTAL QUANTITY QUANTITE ANZAHL	
------	--	--	--

LELY

	type number type number numéro de type Typnummer	vanaf serienummer as from serial number après numéro de serie ab Seriennummer
OPTIMO 280 C	4.1217.0202.1	983 - 0501
OPTIMO 280 C	4.1217.0203.1	1013 - 0501
OPTIMO 280 C	4.1217.0204.1	10111 - 0501



E023-06-00

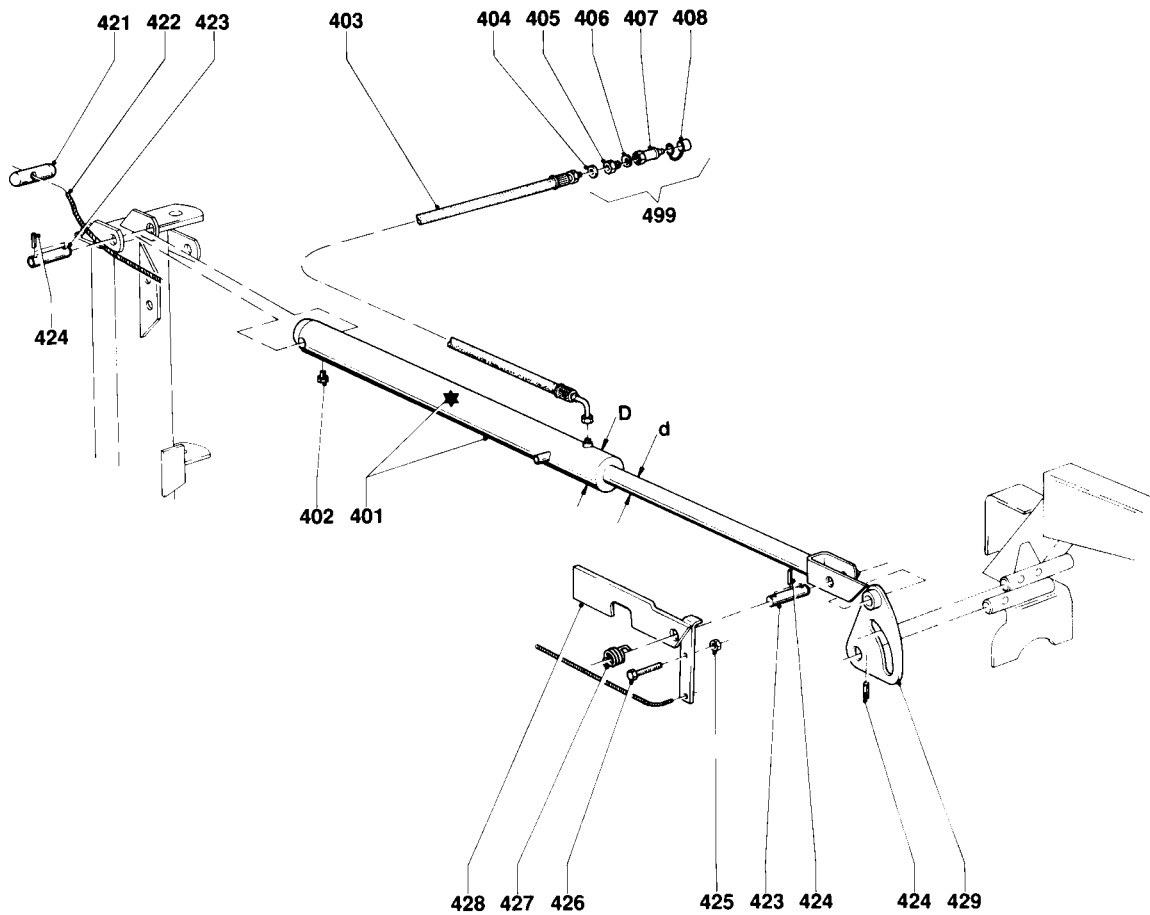
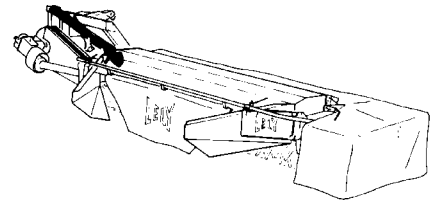
REF.	ONDERDEELNR. PART NUMBER REFERENCE TEILNUMMER	AANTAL QUANTITY QUANTITE ANZAHL	
------	--	--	--

401	4.1207.0391.0	1	(401= 401+ ★ +402) slag / extension: 500 mm course / Hub: 500 mm
★	4.1207.0399.0	(1)	(d= Ø35, D= Ø60/70) [A+A][x]
402	9.1150.0004.1	(1)	M14x1,5
403	4.1016.0530.0	1	L= 2060 mm
404	9.1137.0401.5	1	Ø14x20x1,5 Cu [—]
405	9.1137.0603.4	1	1/2"-1/4"
406	9.1137.0402.6	1	Ø22x29x1,5 Cu [—]
407	9.1137.0302.4	1	1/2" G
408	9.1137.0303.5	1	1/2" PVC
422	4.1217.0500.0	1	
423	4.1207.0613.0	2	
424	9.1070.0023.2	7	Ø8x50 DIN 1481
425	9.1030.0004*2	1	M10 DIN 985-8
426	9.1113.0117*4	1	M10x35 DIN 933-8.8
427	4.1006.0075.0	1	
428	4.1207.0541.0	1	
429	9.1048.0045*4	1	26 DIN 126 [—]
430	2.3201.0328.0	1	
431	4.1201.1462.0	1	Ø6x4m (1m= 9.1163.0004.2)

REF.	ONDERDEELNR. PART NUMBER REFERENCE TEILNUMMER	AANTAL QUANTITY QUANTITE ANZAHL	
------	--	--	--



	type number type number numéro de type Typnummer	vanaf serienummer as from serial number après numéro de serie ab Seriennummer
OPTIMO 280 C	4.1217.0204.1	10213 - 0551



E023-07-00

REF.	ONDERDEELNR. PART NUMBER REFERENCE TEILNUMMER	AANTAL QUANTITY QUANTITE ANZAHL	
------	--	--	--

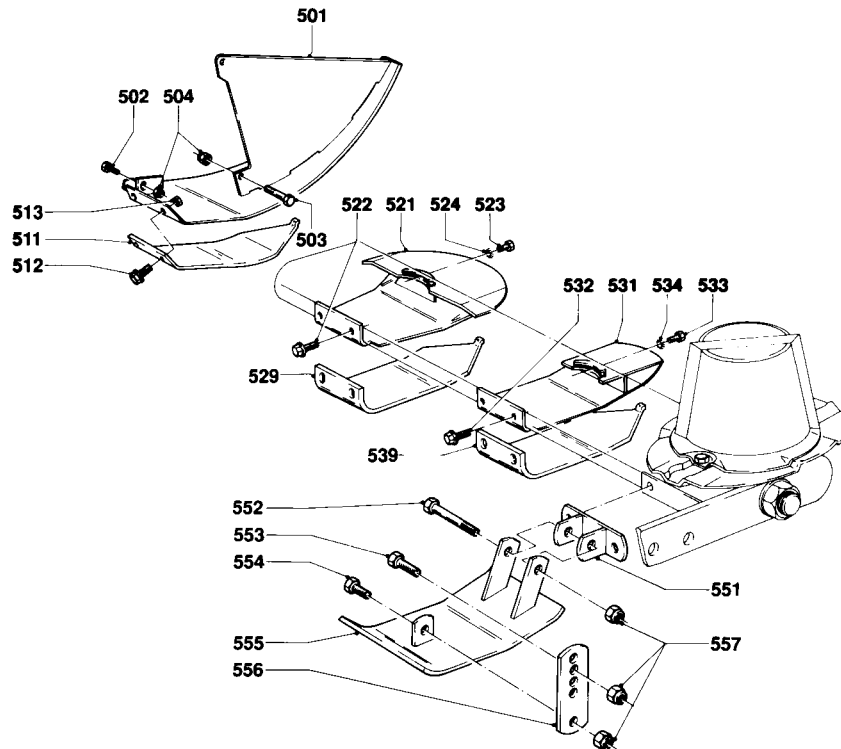
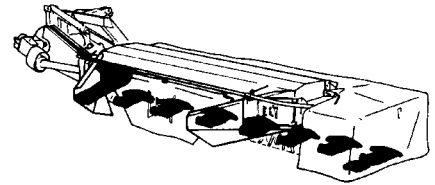
401	4.1207.0392.0	1	(401= 401+ * +402) slag / extension: 500 mm course / Hub: 500 mm
*	4.1207.0399.0	(1)	(d= Ø35, D= Ø60/70) [A+A][x]
402	9.1150.0004.1	(1)	M14x1,5
403	4.1016.0530.0	1	L= 2060 mm
404	9.1137.0401.5	1	Ø14x20x1,5 Cu [—]
405	9.1137.0603.4	1	1/2"-1/4"
406	9.1137.0402.6	1	Ø22x29x1,5 Cu [—]
407	9.1137.0302.4	1	1/2" G
408	9.1137.0303.5	1	1/2" PVC
421	2.3201.0328.0	1	
422	4.1201.1462.0	1	Ø6x4m (1m= 9.1163.0004.2)
423	4.1207.0613.0	2	
424	9.1070.0023.2	7	Ø8x50 DIN 1481
425	9.1030.0004*2	1	M10 DIN 985-8
426	9.1113.0117*4	1	M10x35 DIN 933-8.8
427	4.1006.0075.0	1	
428	4.1207.0542.0	1	
429	4.1217.0500.0	1	

REF.	ONDERDEELNR. PART NUMBER REFERENCE TEILNUMMER	AANTAL QUANTITY QUANTITE ANZAHL	
------	--	--	--

499	2.3201.2312.0	1	= REF. 404-408
-----	---------------	---	----------------



	type nummer type number numéro de type Typnummer	vanaf serienummer as from serial number après numéro de série ab Seriennummer
OPTIMO 280 C	4.1217.0201.1	972 - 0501
OPTIMO 280 C	4.1217.0202.1	983 - 0501



E028-06-01

REF.	ONDERDEELNR. PART NUMBER REFERENCE TEILNUMMER	AANTAL QUANTITY QUANTITE ANZAHL
------	--	--

501	4.1201.0361.0	1
502	9.1113.0117*4	1
503	9.1113.0041*5	1
504	9.1030.0004*2	2

511	4.1201.2003.0	1	3 mm [x]	Slijtplaat
	4.1201.2006.0	1	6 mm	Wear plate
				Plaque d'usure
				Verschleissplatte

512	9.1114.0009*0	2	M10x25 8.8
513	9.1030.0004*2	2	M10 DIN 985-8

521	4.1201.0410.0	7	Brede glijsloffes Wide skids Patins larges Breite Gleitkufen
-----	---------------	---	---

522	9.1114.0009*0	14	M10x25 8.8
523	9.1113.0267*0	7	M8x16 DIN 933-10.9
524	9.1051.0001*6	7	A8,2 DIN 6798 [//////]

529	4.1201.2002.0	7	3 mm [x]	Slijtplaten
	4.1201.2005.0	7	6 mm	Wear plates
				Plaques d'usure
				Verschleissplatten

REF.	ONDERDEELNR. PART NUMBER REFERENCE TEILNUMMER	AANTAL QUANTITY QUANTITE ANZAHL
------	--	--

531	4.1201.2200.0	7	Smalle glijsloffes Narrow skids Patins étroits Schmale Gleitkufen
-----	---------------	---	--

532	9.1114.0009*0	14	M10x25 8.8
533	9.1113.0267*0	7	M8x16 DIN 933-10.9
534	9.1051.0001*6	7	A8,2 DIN 6798 [//////]

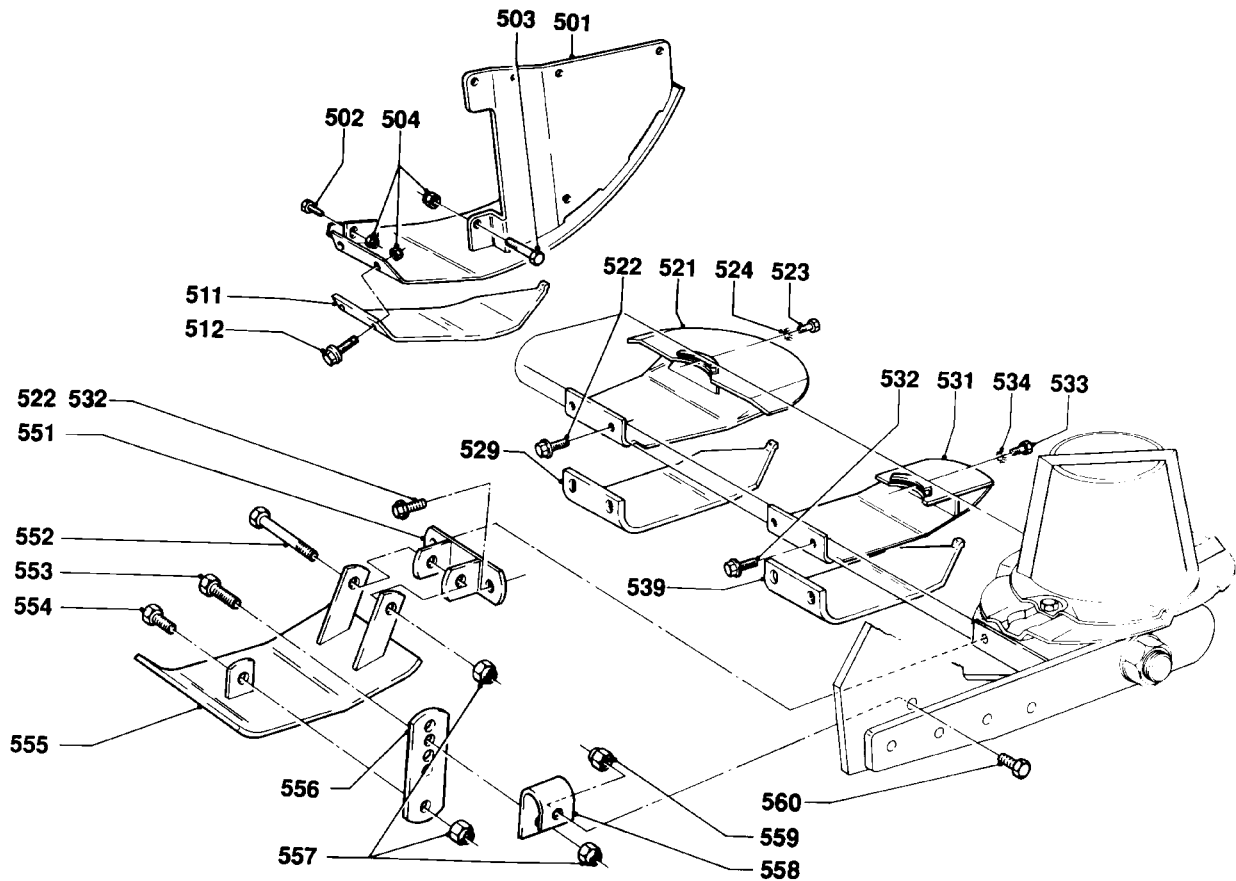
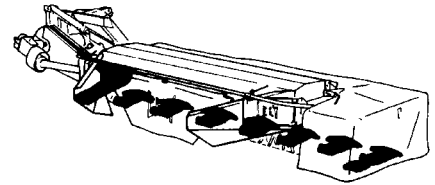
539	4.1201.2004.0	7	3 mm [x]	Slijtplaten
	4.1201.2007.0	7	6 mm	Wear plates
				Plaques d'usure
				Verschleissplatten

551	4.1207.2030.0	1	
552	9.1113.0156*1	2	M10x85 DIN 931-10.9
553	9.1113.0117*4	2	M10x35 DIN 933-8.8
554	9.1113.0120*0	2	M10x30 DIN 933-8.8
555	4.1207.2011.0	2	

556	4.1207.2047.0	2	
557	9.1030.0004*2	6	M10 DIN 985-8



	type nummer type number numéro de type Typnummer	vanaf serienummer as from serial number après numéro de serie ab Serienummer
OPTIMO 280 C	4.1217.0202.1	998 - 0616
OPTIMO 280 C	4.1217.0203.1	1013 - 0501
OPTIMO 280 C	4.1217.0204.1	10111 - 0501



E028-08-00

REF.	ONDERDEELNR. PART NUMBER REFERENCE TEILNUMMER	AANTAL QUANTITY QUANTITE ANZAHL	
------	--	--	--

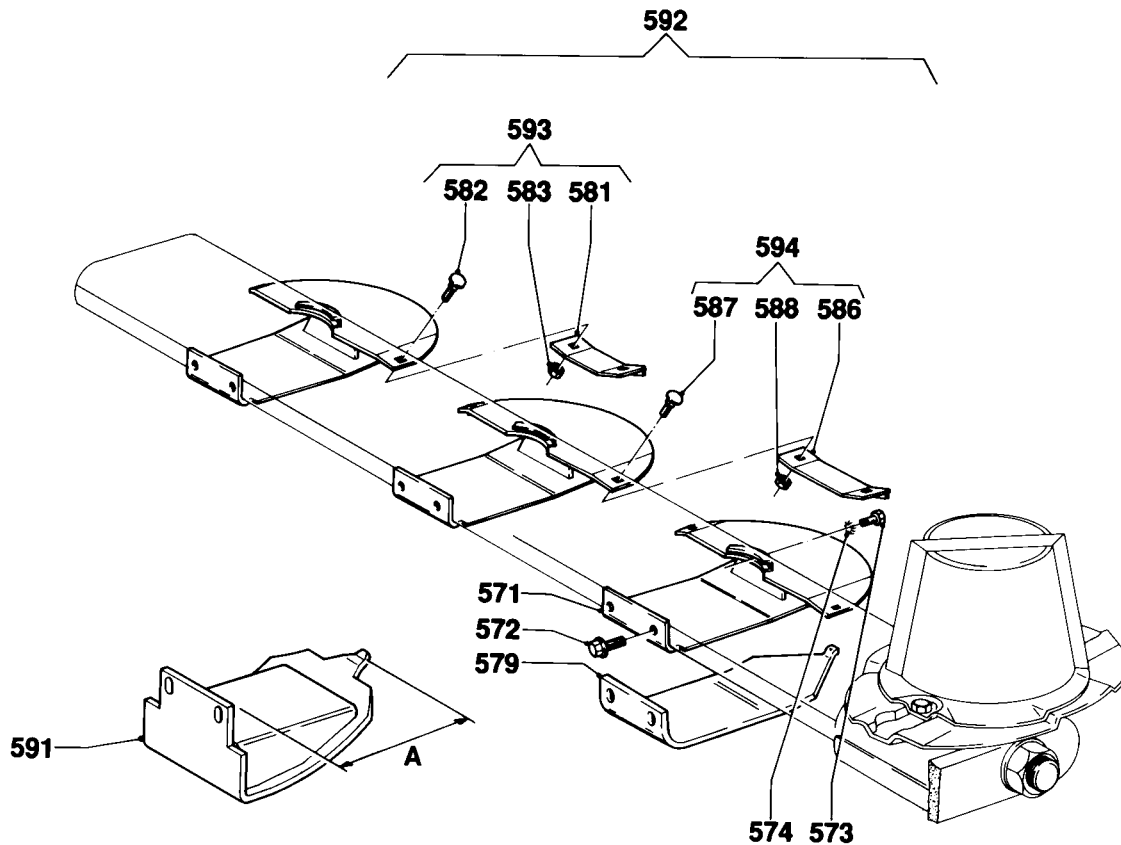
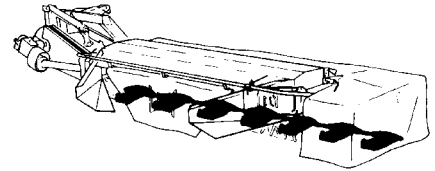
501	4.1201.0362.0	1	
502	9.1113.0117*4	1	M10x35 DIN 933-8.8
503	9.1113.0041*5	1	M10x70 DIN 931-8.8
504	9.1030.0004*2	4	M10 DIN 985-8
511	4.1201.2003.0 4.1201.2006.0	1 (1)	3 mm Slijtplate 6 mm Wear plate Plaque d'usure Verschleissplatte
512	9.1114.0009*0	2	M10x30 8.8
521	4.1201.0410.0	7	Brede glijsloffen Wide skids Patins larges Breite Gleitkufen
522	9.1114.0009*0	14	M10x30 8.8
523	9.1113.0267*0	7	M8x16 DIN 933-10.9
524	9.1051.0001*6	7	A8,2 DIN 6798 [//////]
529	4.1201.2002.0 4.1201.2005.0	7 (7)	3 mm Slijtplate 6 mm Wear plates Plaques d'usure Verschleissplatten

REF.	ONDERDEELNR. PART NUMBER REFERENCE TEILNUMMER	AANTAL QUANTITY QUANTITE ANZAHL	
------	--	--	--

531	4.1201.2200.0	7	Smalle glijsloffen Narrow skids Patins étroits Schmale Gleitkufen
532	9.1114.0009*0	14	M10x30 8.8
533	9.1113.0267*0	7	M8x16 DIN 933-10.9
534	9.1051.0001*6	7	A8,2 DIN 6798 [//////]
539	4.1201.2004.0 4.1201.2007.0	7 (7)	3 mm Slijtplate 6 mm Wear plates Plaques d'usure Verschleissplatten
551	4.1207.2030.0	1	[R]
552	9.1113.0156*1	2	M10x85 DIN 931-10.9
553	9.1113.0117*4	1	M10x35 DIN 933-8.8
554	9.1113.0120*0	3	M10x30 DIN 933-8.8
555	4.1207.2011.0	2	[R]+[L]
556	4.1207.2047.0	2	[R]+[L]
557	9.1030.0004*2	6	M10 DIN 985-8
558	4.1217.0347.0	1	[R]
559	9.1030.0013*4	1	M12 DIN 985-8
560	9.1113.0125*5	1	M12x35 DIN 933-8.8



	type nummer type number numéro de type Typnummer	vanaf serienummer as from serial number après numéro de serie ab Seriennummer
OPTIMO 280 C	4.1217.0201.1	972 - 0501
OPTIMO 280 C	4.1217.0202.1	983 - 0501
OPTIMO 280 C	4.1217.0203.1	1013 - 0501
OPTIMO 280 C	4.1217.0204.1	10111 - 0501



E048-03-20

REF.	ONDERDEELNR. PART NUMBER REFERENCE TEILNUMMER	AANTAL QUANTITY QUANTITE ANZAHL
------	--	--

GLIJSLOFFEN (voorbereid voor maaibalk-steenbescherming) = 571
 SKIDS (prepared for cutter bar stone protection) = 571
 PATINS (préparés pour kit de protection anti-pierres) = 571
 GLEITKUFEN (für Mähbalken-Steinschutzsatz vorbereitet) = 571

571	4.1201.0420.0	7
572	9.1114.0009*0	14
573	9.1113.0267*0	7
574	9.1051.0001*6	7

579	4.1201.2004.0	7	3 mm	Slijtplaten
	4.1201.2007.0	(7)	6 mm	Wear plates Plaques d'usure Verschleissplatten

581	4.1201.0430.0	1x	[←125→]
582	9.1058.0027*4	2x	M10x25 DIN 603
583	9.1030.0004*2	2x	M10 DIN 985-8

586	4.1202.2030.0	1	[←160→]
587	9.1058.0027*4	2	M10x25 DIN 603
588	9.1030.0004*2	2	M10 DIN 985-8

REF.	ONDERDEELNR. PART NUMBER REFERENCE TEILNUMMER	AANTAL QUANTITY QUANTITE ANZAHL
------	--	--

591	4.1201.2480.0	1	Onder binnenschoen 501 [x] Underneath inner shoe 501 [x] Au-dessous du sabot intérieur [x] Unter Innenschuh 501 [x]
-----	---------------	---	--

591	4.1201.2470.0	5-7	A= 282 mm Onder glijslof 521 Underneath skid 521 Au-dessous du patin 521 Unter Gleitkufen 521
-----	---------------	-----	---

591	4.1201.2461.0	5-7	A= 252 mm Onder glijslof 531/571 Underneath skid 531/571 Au-dessous du patin 531/571 Unter Gleitkufen 531/571
-----	---------------	-----	---

592	4.1210.0000.7	1	= REF. 571-588 (6 mm)
-----	---------------	---	-----------------------

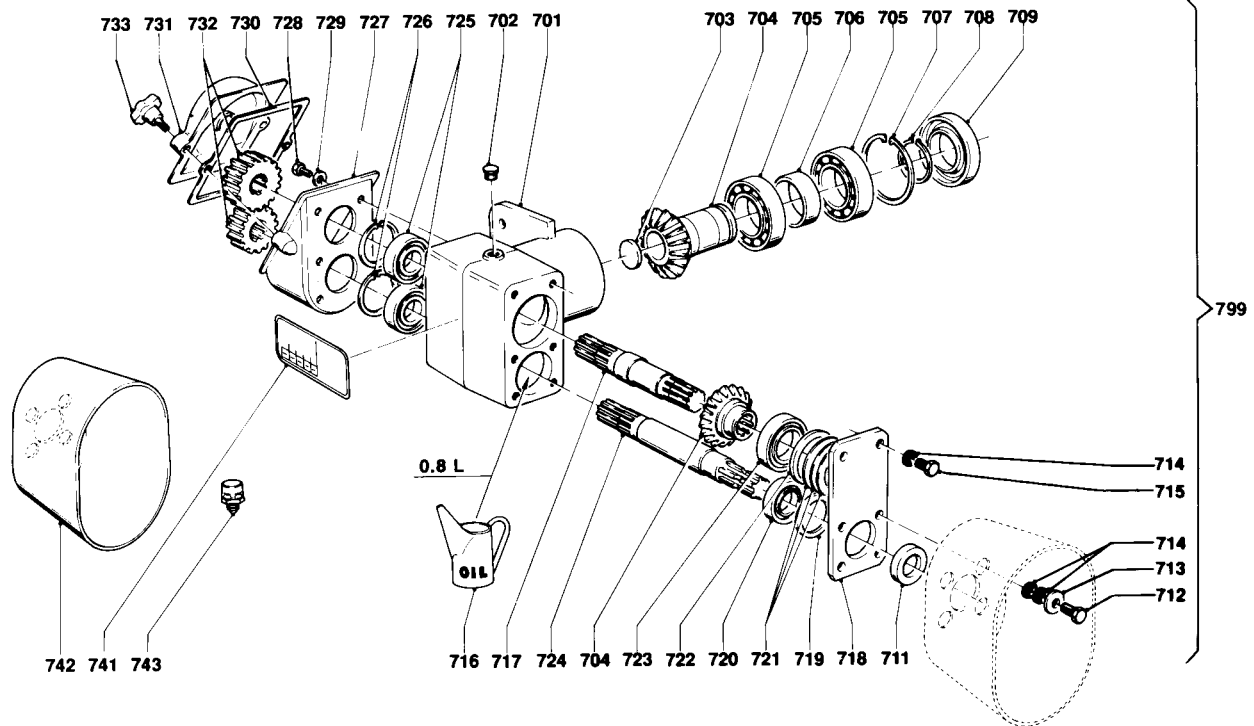
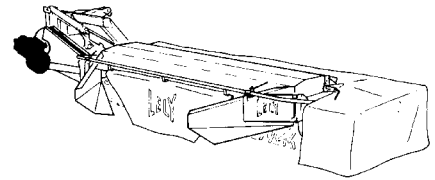
-	4.1210.0000.6	1	= REF. 593+594
---	---------------	---	----------------

593	4.1201.0450.0	5	= REF. 581-583 [←125→]
-----	---------------	---	------------------------

594	4.1202.2040.0	1	= REF. 586-588 [←160→]
-----	---------------	---	------------------------



	type number type number numéro de type Typnummer	vanaf serienummer as from serial number après numéro de série ab Seriennummer
OPTIMO 280 C	4.1217.0021.1	971 - 0501
OPTIMO 280 C	4.1217.0280.1	971 - 0501
OPTIMO 280 C	4.1217.0350.1	983 - 0501
OPTIMO 280 C	4.1217.0350.4	983 - 0501



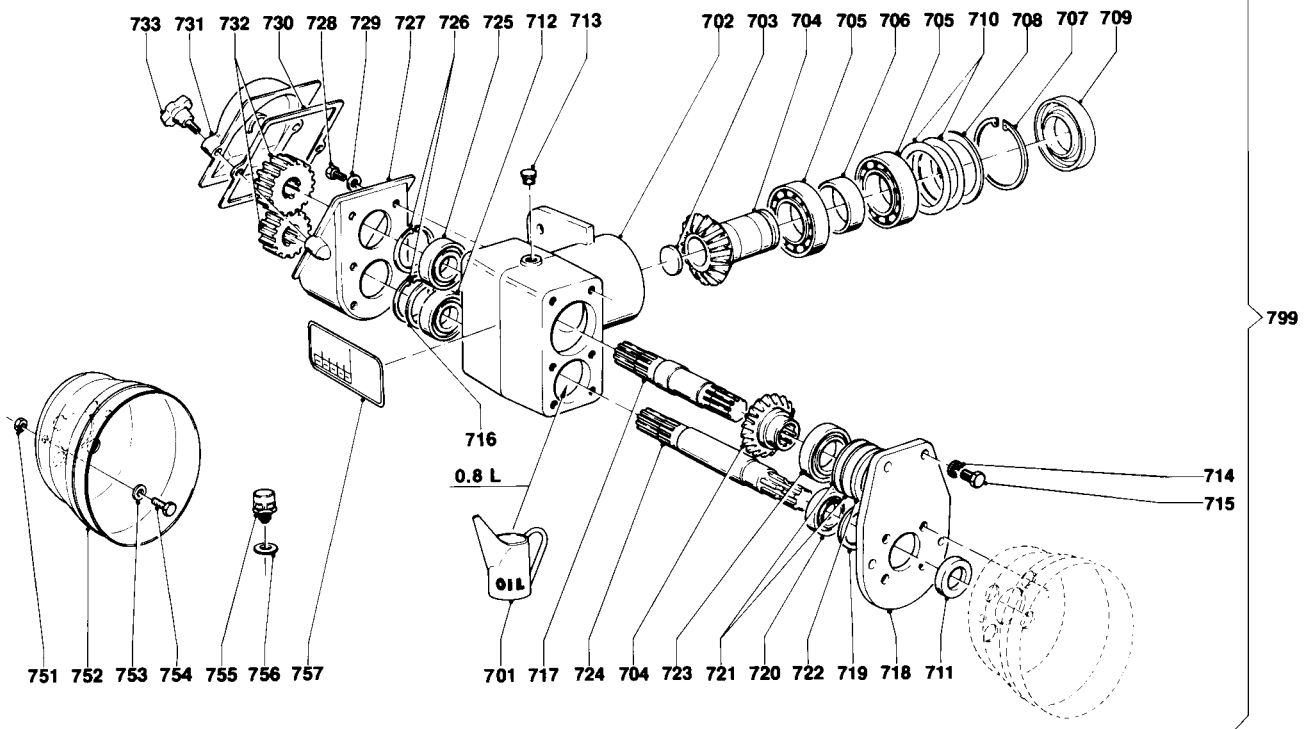
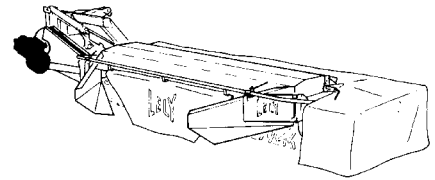
E050-02-00

REF.	ONDERDEELNR. PART NUMBER REFERENCE TEILNUMMER	AANTAL QUANTITY QUANTITE ANZAHL		
701	4.1217.0160.0	1		
702	9.1131.0003.5	1	G1/8" Stop(fen) Plug Bouchon	
703	4.1207.0216.0	1		
704	4.1207.0215.1	1		[T+T]
705	9.1001.0077.6	2	6210	
706	4.1207.0218.0	1		
707	9.1120.0014.6	1	90x3,00 DIN 472	
708	9.1119.0016.2	1	50x2,00 DIN 471	
709	9.1042.0051.2	1	50x90x10 DB	[>]◀
711	9.1042.0052.3	1	30x50x8 CB	[>]◀
712	9.1113.0029*0	4	M10x25 DIN 933-8.8	
713	9.1048.0008*2	4	A10,5 DIN 9021	[—]
714	9.1051.0002*0	10	A10,5 DIN 6798	[////]
715	9.1113.0027.5	2	M10x20 DIN 933-8.8	
716	9.1171.0044.6	(0,8 L)	0,7L GP80 W90 ESSO	
717	4.1207.0214.0	1		
718	4.1207.0213.0	1		
719	9.1052.0004.1	1	S45x55x3 DIN 988	
720	9.1001.0082.4	1	6006-C3	
721	4.1207.0211.0	1		[D+D]
722	9.1052.0010.0	1	S55x68x3 DIN 988	
723	9.1001.0023.1	1	6008	
724	2.3217.0021.0	1		
725	9.1001.0062.5	2	6206-C4	

REF.	ONDERDEELNR. PART NUMBER REFERENCE TEILNUMMER	AANTAL QUANTITY QUANTITE ANZAHL		
726	9.1120.0005.4	2	62x2,00 DIN 472	
727	2.3217.0019.0	1		
728	9.1113.0013.5	6	M8x16 DIN 933-8.8	
729	9.1121.0010.1	6	A8 DIN 127	[—]
730	2.3217.0026.0	1		
731	2.3217.0020.0	1		
732	2.3217.0035.1	(1)	16/19	[T+T]
	2.3217.0033.1	(1)	15/20	[T+T]
733	9.1141.0009.1	2	M10x35 DIN 6336	
741	9.1170.0316.6	1	"Z1-Z2= ... RPM"	
742	4.1207.0212.0	1		
743	1.1606.0022.0	1	G1/8" SLW 16 Ontluchter / Breather Reniflard / Entlüfter	
799	4.1217.0150.1	1	= REF. 701-733	



	type nummer type number numéro de type Typnummer	vanaf serienummer as from serial number après numéro de série ab Seriennummer
OPTIMO 280 C	4.1217.0350.4	10111 - 0551



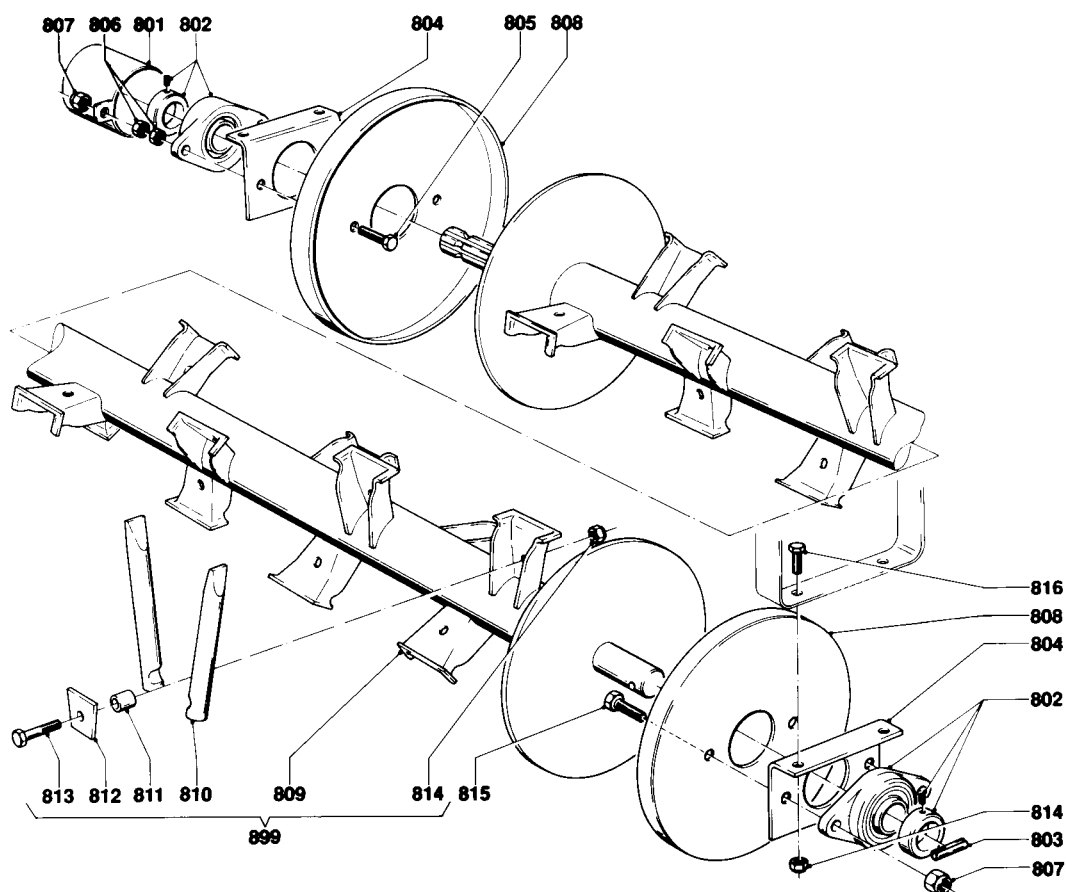
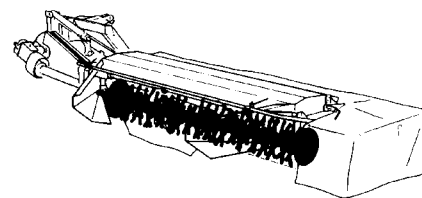
E050-03-00

REF.	ONDERDEELNR. PART NUMBER REFERENCE TEILNUMMER	AANTAL QUANTITY QUANTITE ANZAHL		
701	9.1171.0044.6	(0,8L)	0,7L GP80 W90 ESSO	
702	4.1217.0160.0	1		
703	4.1207.0216.0	1		
704	4.1207.0215.1	1		[T+T]
705	9.1001.0077.6	2	6210	
706	4.1217.0166.0	1		
707	9.1120.0014.6	1	90x3,00 DIN 472	
708	9.1093.0067.2	1	70x90x0,5 DIN 988	[]
709	9.1042.0051.2	1	50x90x10 DB	[>] <
710	4.1201.0310.0	(1)		[D+D]
711	9.1042.0052.3	1	30x50x8 CB	[>] <
712	9.1001.0062.5	1	6206 C4	
713	9.1131.0003.5	1	1/8" Stop(fen) Plug Bouchon	
714	9.1051.0002*0	6	A10,5 DIN 6798	[]
715	9.1113.0029*0	6	M10x25 DIN 933-8.8	
716	9.1093.0038.1	~	50x62x0,5 DIN 988	[]
717	4.1207.0214.0	1		
718	4.1217.0168.0	1		
719	4.1217.0167.0	1		
720	9.1001.0082.4	1	6006 C3	
721	4.1207.0211.0	(1)		[D+D]
722	9.1052.0010.0	1	55x68x3,0 DIN 988	[]
723	9.1001.0023.1	1	6008	
724	2.3217.0021.0	1		
725	9.1001.0134.0	1	6206 2RS1-C4	

REF.	ONDERDEELNR. PART NUMBER REFERENCE TEILNUMMER	AANTAL QUANTITY QUANTITE ANZAHL		
726	9.1120.0005.4	2	62x2,00 DIN 472	
727	2.3217.0019.0	1		
728	9.1113.0013*5	6	M8x15 DIN 933-8.8	
729	9.1121.0010.1	6	A8 DIN 127	[]
730	2.3217.0026.0	1		
731	2.3217.0020.0	1		
732	2.3217.0033.1	1	15/20	[T+T]
	2.3217.0035.1	(1)	16/19	[T+T]
733	9.1141.0009.1	2	M10x35 DIN 6336	
751	9.1030.0004*2	2	M10 DIN 985-8	
752	4.1217.0169.0	1		
753	9.1048.0051.3	2	A10,5 DIN 125	[]
754	9.1113.0120*0	2	M10x30 DIN 933-8.8	
755	9.1150.0014.4	1	G1/8" Ontluchter / Breather Reniflard / Entlüfter	
756	9.1137.0405.2	1	Ø10,5x17x1,5 Cu	[]
757	9.1170.0316.6	1	"Z1-Z2= ... RPM"	
799	4.1217.0150.1	1	= REF. 701-733	



	type number type number numéro de type Typnummer	vanaf serienummer as from serial number après numéro de série ab Seriennummer
OPTIMO 280 C	4.1217.0021.1	971 - 0501
OPTIMO 280 C	4.1217.0350.1	983 - 0501



E029-06-00

REF.	ONDERDEELNR. PART NUMBER REFERENCE TEILNUMMER	AANTAL QUANTITY QUANTITE ANZAHL	
------	--	--	--

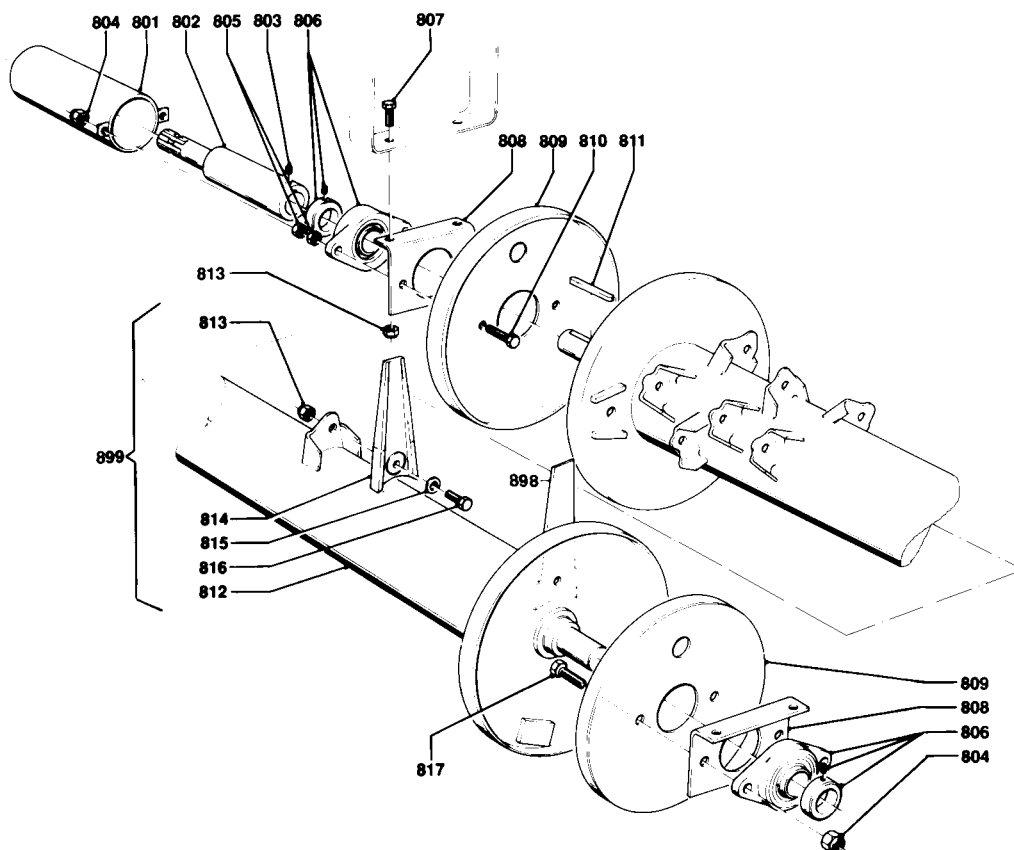
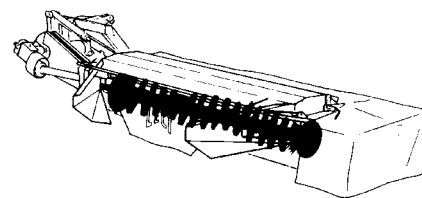
801	4.1217.0270.0	1	
802	9.1008.0018.3	2	FYTB 35FJ-C3
803	9.1070.0039*4	1	Ø10x50 DIN 1481
804	4.1217.0120.0	2	
805	9.1113.0247*1	2	M14x70 DIN 933-8.8
806	9.1029.0012*4	4	M14 DIN 934-8
807	9.1030.0015*6	4	M14 DIN 985-8
808	4.1207.0087.0	2	
809	4.1217.0041.0	1	
810	4.1207.0090.0	96	
811	4.1207.0089.0	48	
812	4.1207.0088.0	48	
813	9.1113.0033*4	48	M10x45 DIN 931-8.8
814	9.1030.0004*2	48+4	M10 DIN 985-8
815	9.1113.0142*1	2	M14x40 DIN 933-8.8
816	9.1113.0120*0	4	M10x30 DIN 933-8.8

REF.	ONDERDEELNR. PART NUMBER REFERENCE TEILNUMMER	AANTAL QUANTITY QUANTITE ANZAHL	
------	--	--	--

899	4.1217.0031.1	1	= REF. 809-814
-----	---------------	---	----------------

LELY

	type number type number numéro de type Typnummer	vanaf serienummer as from serial number après numéro de serie ab Serienummer
OPTIMO 280 C	4.1217.0280.1	971 - 0501
OPTIMO 280 C	4.1217.0350.4	983 - 0501



E051-02-00

REF.	ONDERDEELNR. PART NUMBER REFERENCE TEILNUMMER	AANTAL QUANTITY QUANTITE ANZAHL	
------	--	--	--

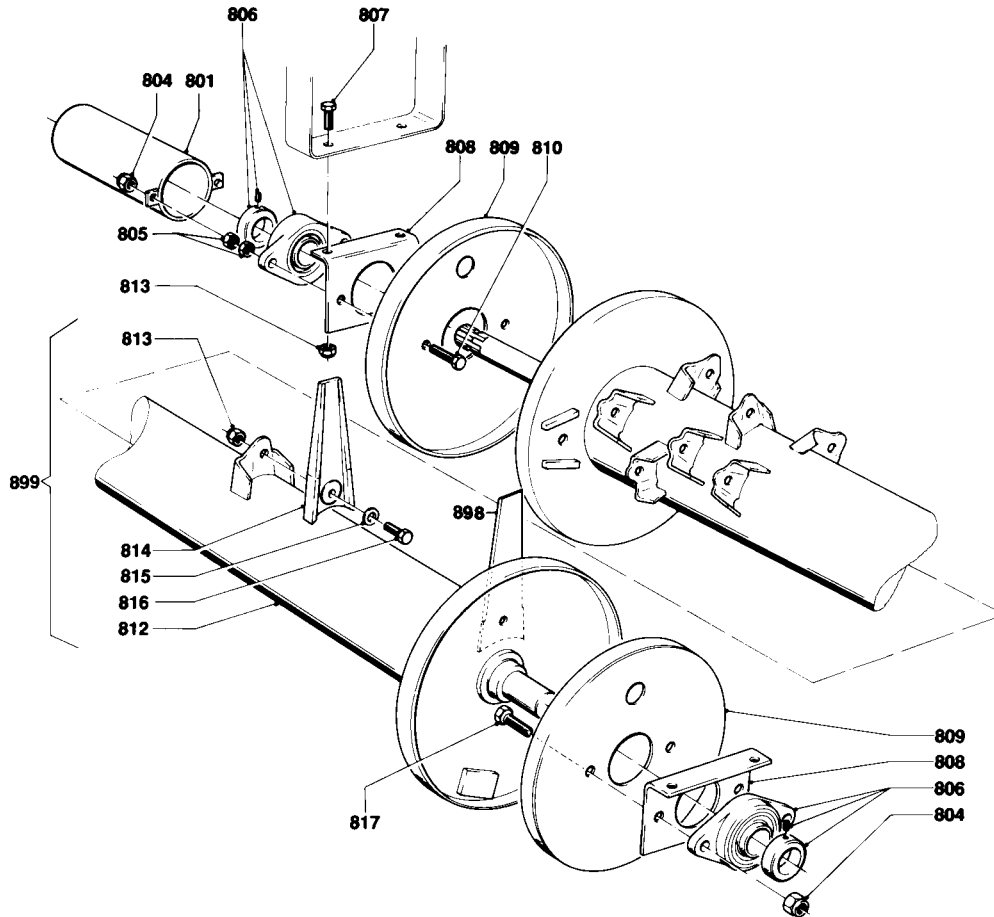
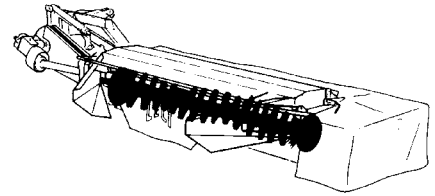
801	4.1217.0270.0	1	
802	4.1217.0260.0	1	
803	9.1063.0012.5	1	M10x20 DIN 913 45H
804	9.1030.0015*6	4	M14 DIN 985-8
805	9.1029.0012*4	4	M14 DIN 934-8
806	9.1008.0018.3	2	FYTB 35FM-C3
807	9.1113.0120*0	6	M10x30 DIN 933-8.8
808	4.1217.0120.0	2	
809	4.1207.0229.0	2	
810	9.1113.0247*1	2	M14x70 DIN 933-8.8
811	9.1071.0033.4	1	A10x8x70
812	4.1212.0210.0	1	
813	9.1030.0004*2	95+4	M10 DIN 985-8
814	4.1207.0228.0	95	
815	9.1048.0008*2	95	A10,5 DIN 9021 []
816	9.1113.0029*0	93	M10x25 DIN 933-8.8
	9.1113.0120*0	2	M10x30 DIN 933-8.8
817	9.1113.0142*1	2	M14x40 DIN 933-8.8

REF.	ONDERDEELNR. PART NUMBER REFERENCE TEILNUMMER	AANTAL QUANTITY QUANTITE ANZAHL	
------	--	--	--

898	4.1207.0269.0	(1)	1x [R] Mes-kneusvinger 1x [R] Knife flail 1x [R] Fléau à couteau 1x [R] Messerschlegel
899	4.1212.0200.1	1	= REF. 812-816



	type nummer type number numéro de type Typnummer	vanaf serienummer as from serial number après numéro de serie ab Seriennummer
OPTIMO 280 C	4.1217.0350.4	1007 - 0541



E051-03-00

REF.	ONDERDEELNR. PART NUMBER REFERENCE TEILNUMMER	AANTAL QUANTITY QUANTITE ANZAHL
------	--	--

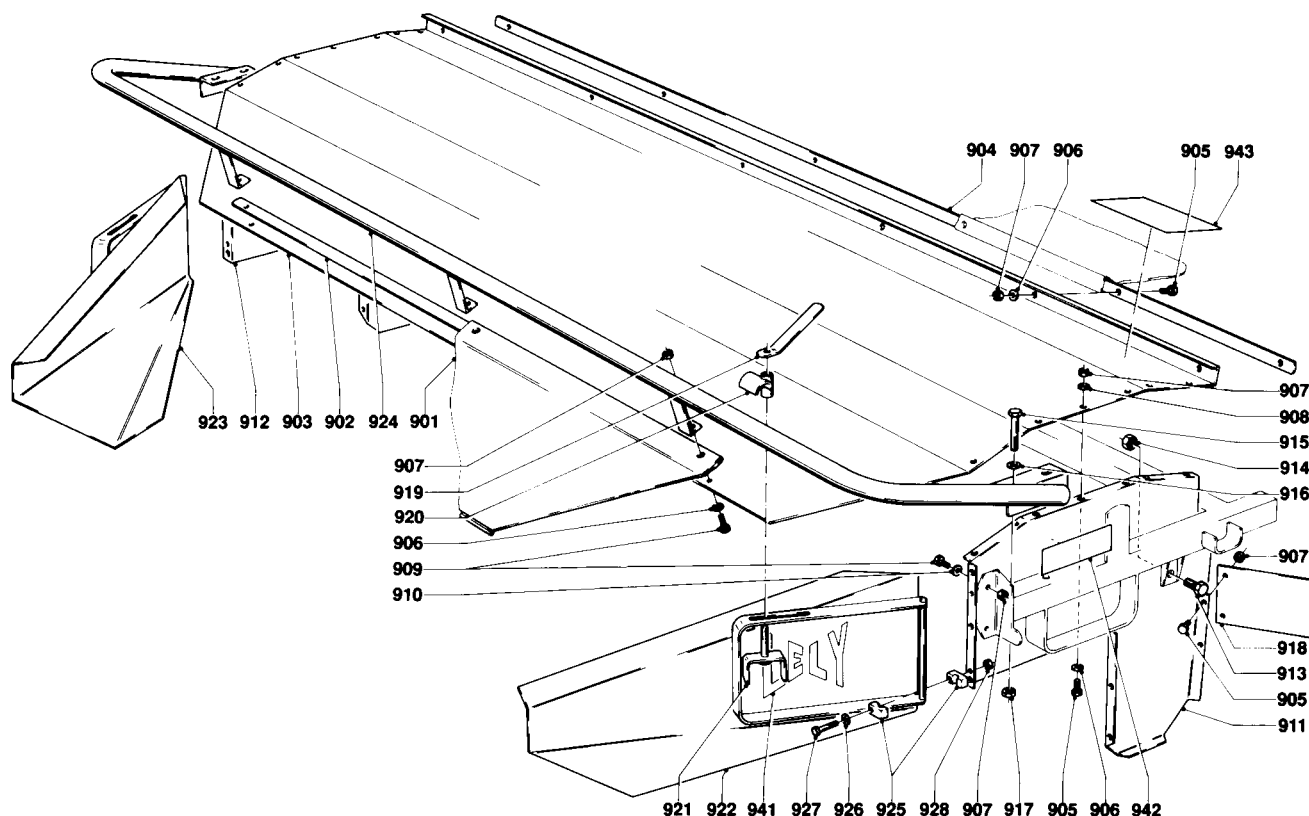
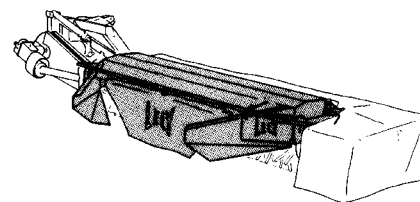
801	4.1217.0270.0	1
804	9.1030.0015*6	4
805	9.1029.0012*4	4
806	9.1008.0018.3	2
807	9.1113.0120*0	4
808	4.1217.0120.0	2
809	4.1207.0229.0	2
810	9.1113.0247*1	2
811	9.1071.0033.4	1
812	4.1217.0290.0	1
813	9.1030.0004*2	95+4
814	4.1207.0228.0	95
815	9.1048.0008*2	95
816	9.1113.0029*0	93
	9.1113.0120*0	2
817	9.1113.0142*1	2

REF.	ONDERDEELNR. PART NUMBER REFERENCE TEILNUMMER	AANTAL QUANTITY QUANTITE ANZAHL
------	--	--

898	4.1207.0269.0	(1)
		1x [R] Mes-kneusvinger
		1x [R] Knife flail
		1x [R] Fléau à couteau
		1x [R] Messerschlegel
899	4.1212.0280.1	1
		= REF. 812-816



	type nummer type number numéro de type Typnummer	vanaf serienummer as from serial number après numéro de serie ab Seriennummer
OPTIMO 280 C	4.1217.0021.1	971 - 0501
OPTIMO 280 C	4.1217.0280.1	971 - 0501



E052-01-00

REF.	ONDERDEELNR. PART NUMBER REFERENCE TEILNUMMER	AANTAL QUANTITY QUANTITE ANZAHL
------	--	--

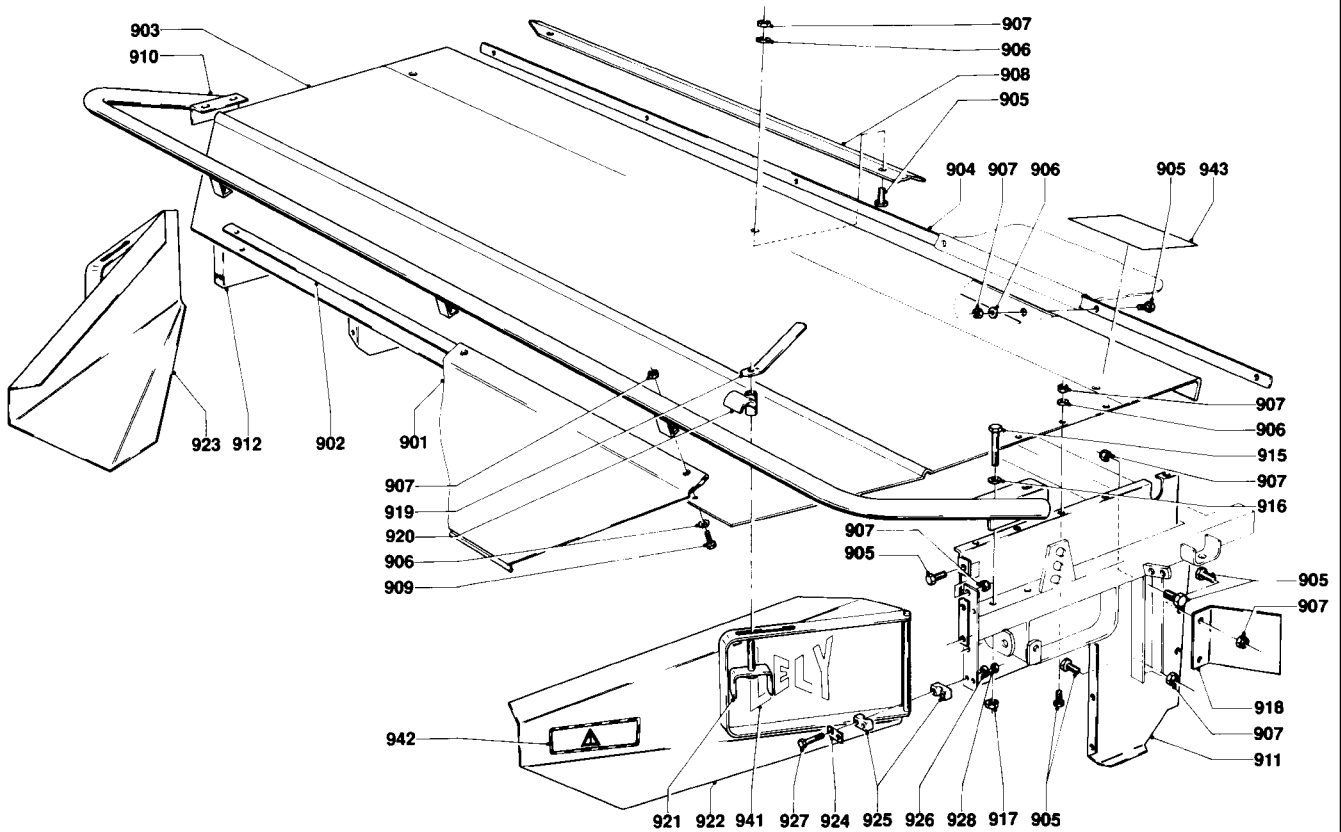
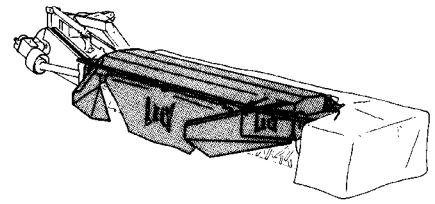
901	4.1217.0116.0	1
902	4.1217.0117.0	1
903	4.1217.0122.0	1
904	4.1217.0125.0	1
905	9.1113.0014*6	24 M8x20 DIN 933-8.8
906	9.1049.0014.0	30 Nylon [—]
907	9.1030.0012*3	30 M8 DIN 985-8
908	9.1048.0004*5	14 8,4 DIN 125 [—]
909	9.1113.0128*1	11 M8x25 DIN 933-8.8
910	9.1048.0005*6	10 A8,4 DIN 9021 [—]
911	4.1217.0128.0	1 [R]
912	4.1217.0129.0	1 [L]
913	9.1113.0049*6	2 M12x25 DIN 933-8.8
914	9.1030.0013*4	2 M12 DIN 985-8
915	9.1113.0041*5	4 M10x70 DIN 931-8.8
916	9.1048.0007*1	4 A10,5 DIN 125 [—]
917	9.1030.0004*2	4 M10 DIN 985-8
918	4.1211.0283.0	2
919	4.1207.0184.0	2
920	4.1217.0130.0	2
921	4.1217.0140.0	2
922	4.1217.0101.0	1 [R]
923	4.1217.0091.0	1 [L]
924	4.1217.0081.0	1
925	9.1137.0911.4	4 Cpl.

REF.	ONDERDEELNR. PART NUMBER REFERENCE TEILNUMMER	AANTAL QUANTITY QUANTITE ANZAHL
------	--	--

926	9.1048.0001*2	4 A6,4 DIN 9021 [—]
927	9.1113.0106*0	4 M6x40 DIN 931-8.8
928	9.1030.0011*2	4 M6 DIN 985-8
941	9.1170.0001.6	2 "LELY"
942	9.1170.0052.1	1 "LET OP DRAAIENDE DELEN"
943	9.1170.0124.3	1 "NEEM VEILIGHEID IN ACHT"



	type number type number numéro de type Typnummer	vanaf serienummer as from serial number après numéro de serie ab Seriennummer
OPTIMO 280 C	4.1217.0350.1	983 - 0501
OPTIMO 280 C	4.1217.0350.4	983 - 0501



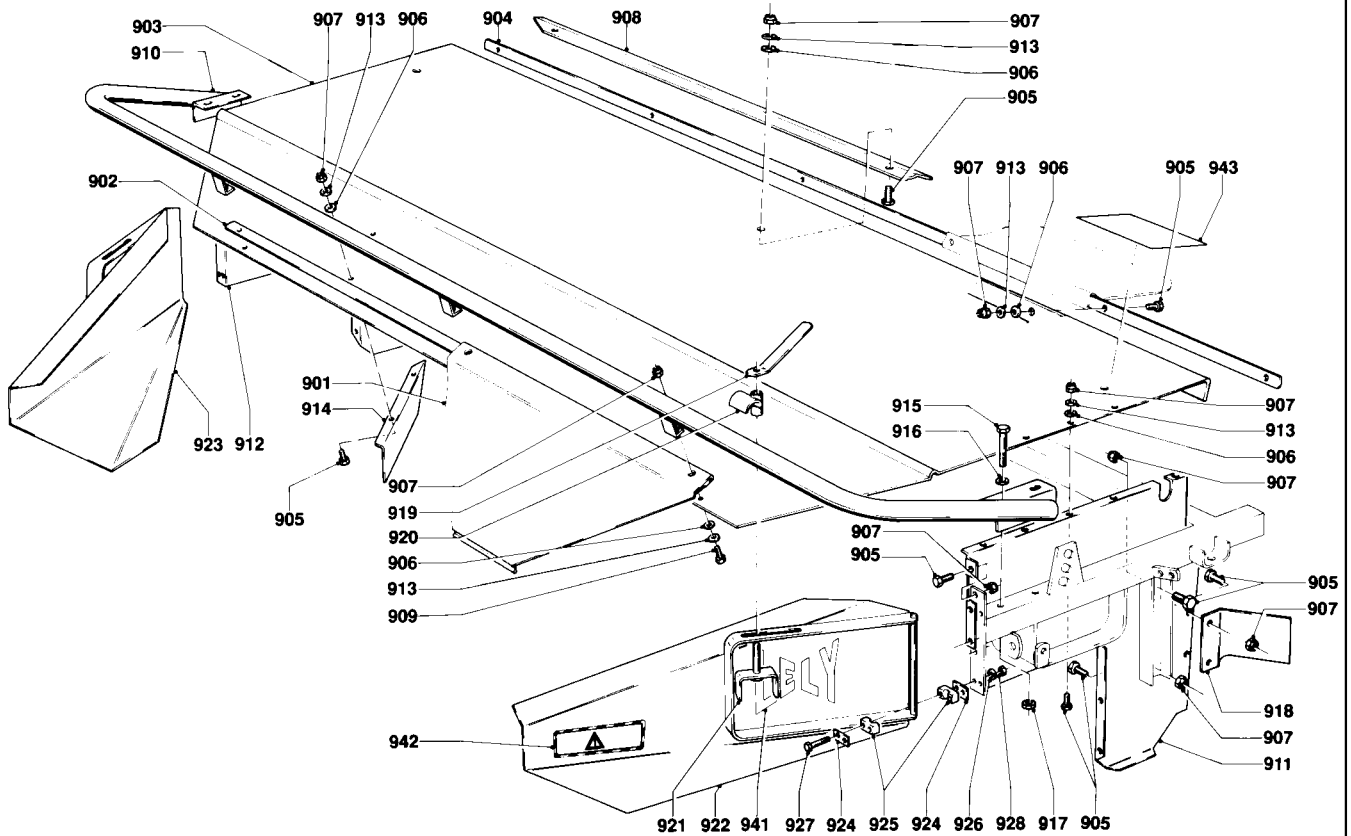
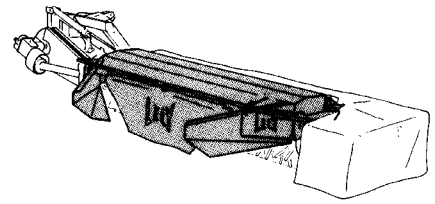
E052-02-01

REF.	ONDERDEELNR. PART NUMBER REFERENCE TEILNUMMER	AANTAL QUANTITY QUANTITE ANZAHL		
901	4.1217.0116.0	1		
902	4.1217.0117.0	1		
903	4.1217.0369.0	1		
904	4.1217.0125.0	1		
905	9.1113.0014*6	30	M8x20 DIN 933-8.8	
906	9.1049.0014.0	23	Nylon	[/]
907	9.1030.0012*3	37	M8 DIN 985-8	
908	4.1217.0366.0	1		
909	9.1113.0128*1	3	M8x25 DIN 933-8.8	
910	4.1217.0390.0	1		
911	4.1217.0368.0	1	[R]	
912	4.1217.0367.0	1	[L]	
915	9.1113.0041*5	4	M10x70 DIN 931-8.8	
916	9.1048.0007*1	4	A10,5 DIN 125	[]
917	9.1030.0004*2	4	M10 DIN 985-8	
918	4.1217.0365.0	2		
919	4.1207.0184.0	2		
920	4.1217.0130.0	2		
921	4.1217.0140.0	2		
922	4.1217.0420.0	1	[R]	
923	4.1217.0410.0	1	[L]	
924	9.1137.0915.1	4		

REF.	ONDERDEELNR. PART NUMBER REFERENCE TEILNUMMER	AANTAL QUANTITY QUANTITE ANZAHL		
925	9.1137.0914.0	4	Cpl.	
926	9.1048.0002*3	4	A6,4 DIN 125	[]
927	9.1113.0181*5	8	M6x50 DIN 931-8.8	
928	9.1030.0011*2	8	M6 DIN 985-8	
941	9.1170.0001.6	1	"LELY"	
942	9.1170.0052.1	1	"LET OP DRAAIENDE DELEN"	
943	9.1170.0124.3	1	"NEEM VEILIGHEID IN ACHT"	



	type number type number numéro de type Typnummer	vanaf serienummer as from serial number après numéro de série ab Seriennummer
OPTIMO 280 C	4.1217.0350.1	991 - 0501
OPTIMO 280 C	4.1217.0350.4	991 - 0501



E052-03-00

REF.	ONDERDEELNR. PART NUMBER REFERENCE TEILNUMMER	AANTAL QUANTITY QUANTITE ANZAHL	
------	--	--	--

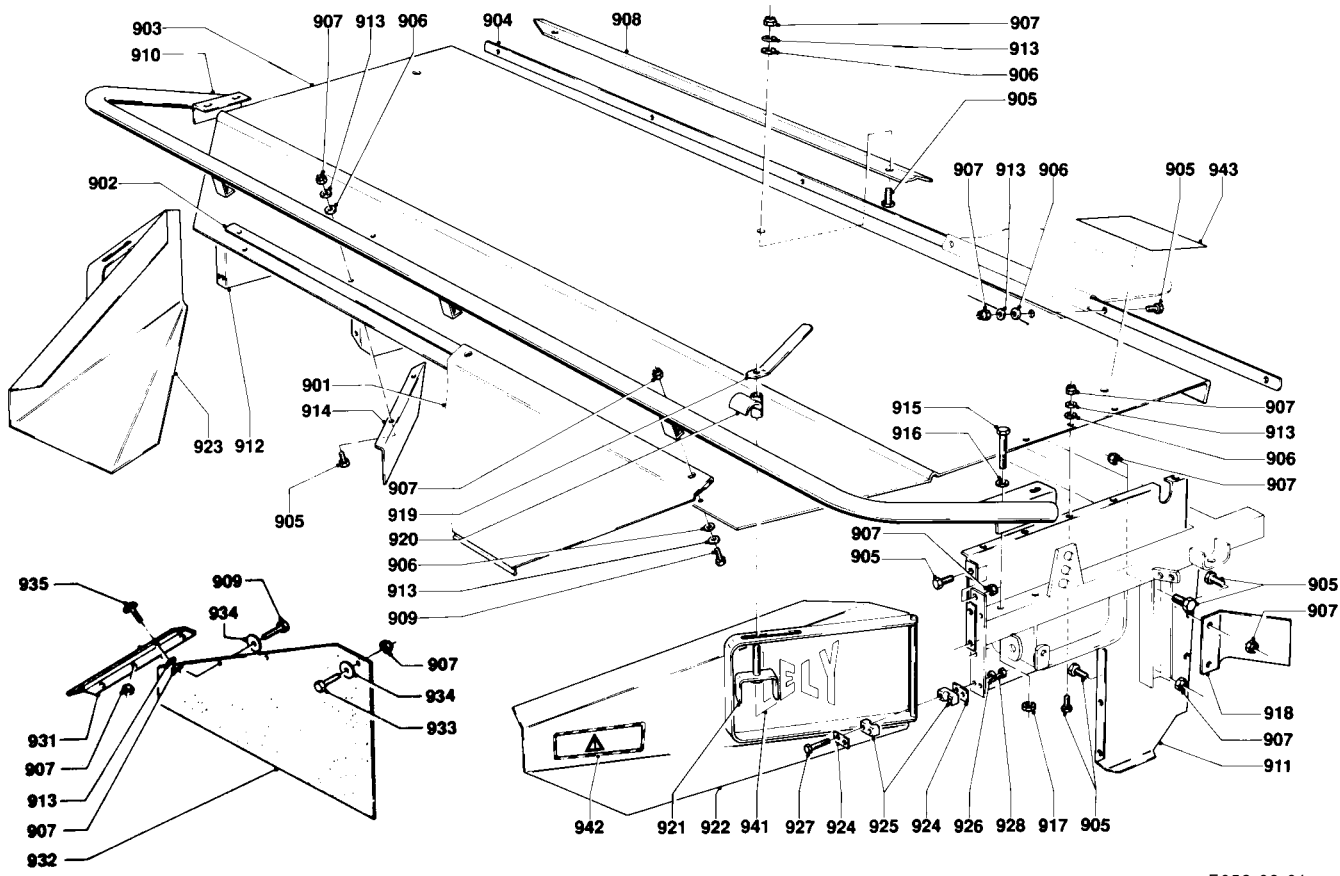
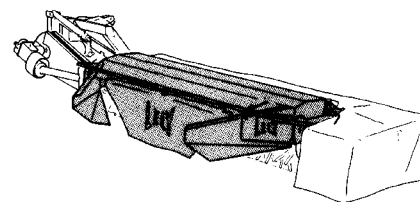
901	4.1217.0116.0	1	
902	4.1217.0117.0	1	
903	4.1217.0363.0	1	
904	4.1217.0125.0	1	
905	9.1113.0014*6	38	M8x20 DIN 933-8.8
906	9.1049.0014.0	27	Nylon [—]
907	9.1030.0012*3	41	M8 DIN 985-8
908	4.1217.0364.0	1	
909	9.1113.0128*1	3	M8x25 DIN 933-8.8
910	4.1217.0390.0	1	
911	4.1217.0368.0	1	[R]
912	4.1217.0367.0	1	[L]
913	9.1048.0004*5	27	A8,4 DIN 125 [—]
914	4.1217.0362.0	1	[L]
	4.1217.0361.0	1	[R][x]
915	9.1113.0041*5	4	M10x70 DIN 931-8.8
916	9.1048.0007*1	4	A10,5 DIN 125 [—]
917	9.1030.0004*2	4	M10 DIN 985-8
918	4.1217.0365.0	2	
919	4.1207.0184.0	2	
920	4.1217.0130.0	2	
921	4.1217.0140.0	2	
922	4.1217.0420.0	1	[R]
923	4.1217.0410.0	1	[L]
924	9.1137.0915.1	8	

REF.	ONDERDEELNR. PART NUMBER REFERENCE TEILNUMMER	AANTAL QUANTITY QUANTITE ANZAHL	
------	--	--	--

925	9.1137.0914.0	4	Cpl.
926	9.1048.0002*3	4	A6,4 DIN 125 [—]
927	9.1113.0181*5	8	M6x50 DIN 931-8.8
928	9.1030.0011*2	8	M6 DIN 985-8
941	9.1170.0001.6	1	"LELY"
942	9.1170.0052.1	1	"LET OP DRAAIENDE DELEN"
943	9.1170.0124.3	1	"NEEM VEILIGHEID IN ACHT"



	type nummer type number numéro de type Typnummer	vanaf serienummer as from serial number après numéro de serie ab Seriennummer
OPTIMO 280 C	4.1217.0350.4	1013 - 0501



E052-03-01

REF.	ONDERDEELNR. PART NUMBER REFERENCE TEILNUMMER	AANTAL QUANTITY QUANTITE ANZAHL	
------	--	--	--

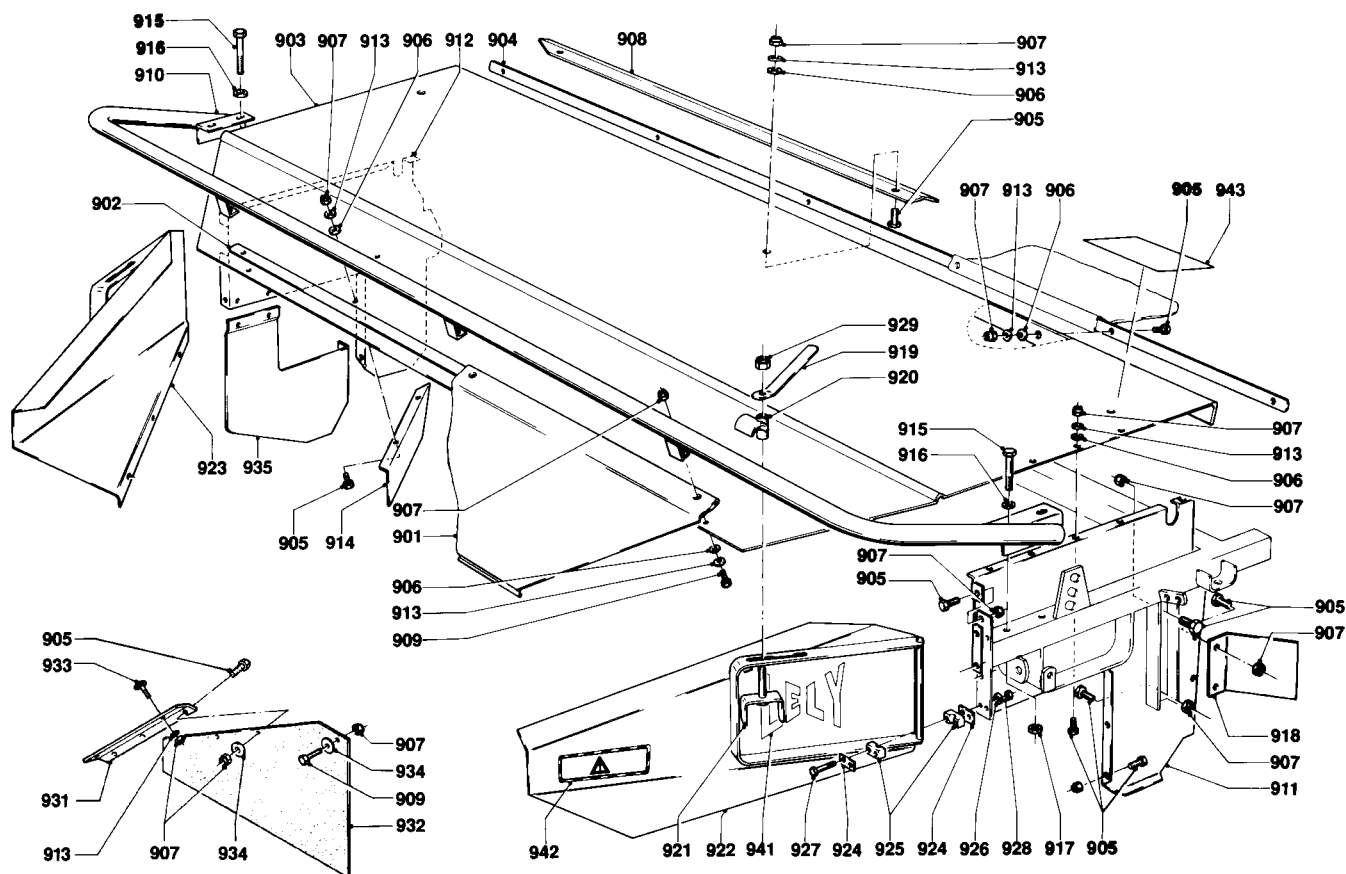
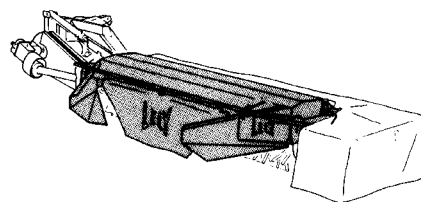
901	4.1217.0116.0	1	
902	4.1217.0117.0	1	
903	4.1217.0363.0	1	
904	4.1217.0125.0	1	
905	9.1113.0014*6	38	M8x20 DIN 933-8.8
906	9.1049.0014.0	27	Nylon [—]
907	9.1030.0012*3	54	M8 DIN 985-8
908	4.1217.0364.0	1	
909	9.1113.0128*1	9	M8x25 DIN 933-8.8
910	4.1217.0390.0	1	
911	4.1217.0368.0	1	[R]
912	4.1217.0367.0	1	[L]
913	9.1048.0004*5	31	A8,4 DIN 125 [—]
914	4.1217.0362.0	1	[L]
	4.1217.0361.0	1	[R][x]
915	9.1113.0041*5	4	M10x70 DIN 931-8.8
916	9.1048.0007*1	4	A10,5 DIN 125 [—]
917	9.1030.0004*2	4	M10 DIN 985-8
918	4.1217.0365.0	2	
919	4.1207.0184.0	2	
920	4.1217.0130.0	2	
921	4.1217.0140.0	2	
922	4.1217.0420.0	1	[R]
923	4.1217.0410.0	1	[L]
924	9.1137.0915.1	8	

REF.	ONDERDEELNR. PART NUMBER REFERENCE TEILNUMMER	AANTAL QUANTITY QUANTITE ANZAHL	
------	--	--	--

925	9.1137.0914.0	4	Cpl.
926	9.1048.0002*3	4	A6,4 DIN 125 [—]
927	9.1113.0181*5	8	M6x50 DIN 931-8.8
928	9.1030.0011*2	8	M6 DIN 985-8
931	4.1217.1498.0	2	
932	4.1217.1497.0	2	
933	9.1113.0130*3	2	M8x30 DIN 933-8.8
934	9.1048.0005*6	8	A8,4 DIN 9021 [—]
935	9.1058.0008*6	4	M8x20 DIN 603
941	9.1170.0001.6	1	"LELY"
942	9.1170.0052.1	1	"LET OP DRAAIENDE DELEN"
943	9.1170.0124.3	1	"NEEM VEILIGHEID IN ACHT"



	type number type number numéro de type Typnummer	vanaf serienummer as from serial number après numéro de série ab Seriennummer
OPTIMO 280 C	4.1217.0350.4	10111 - 0551



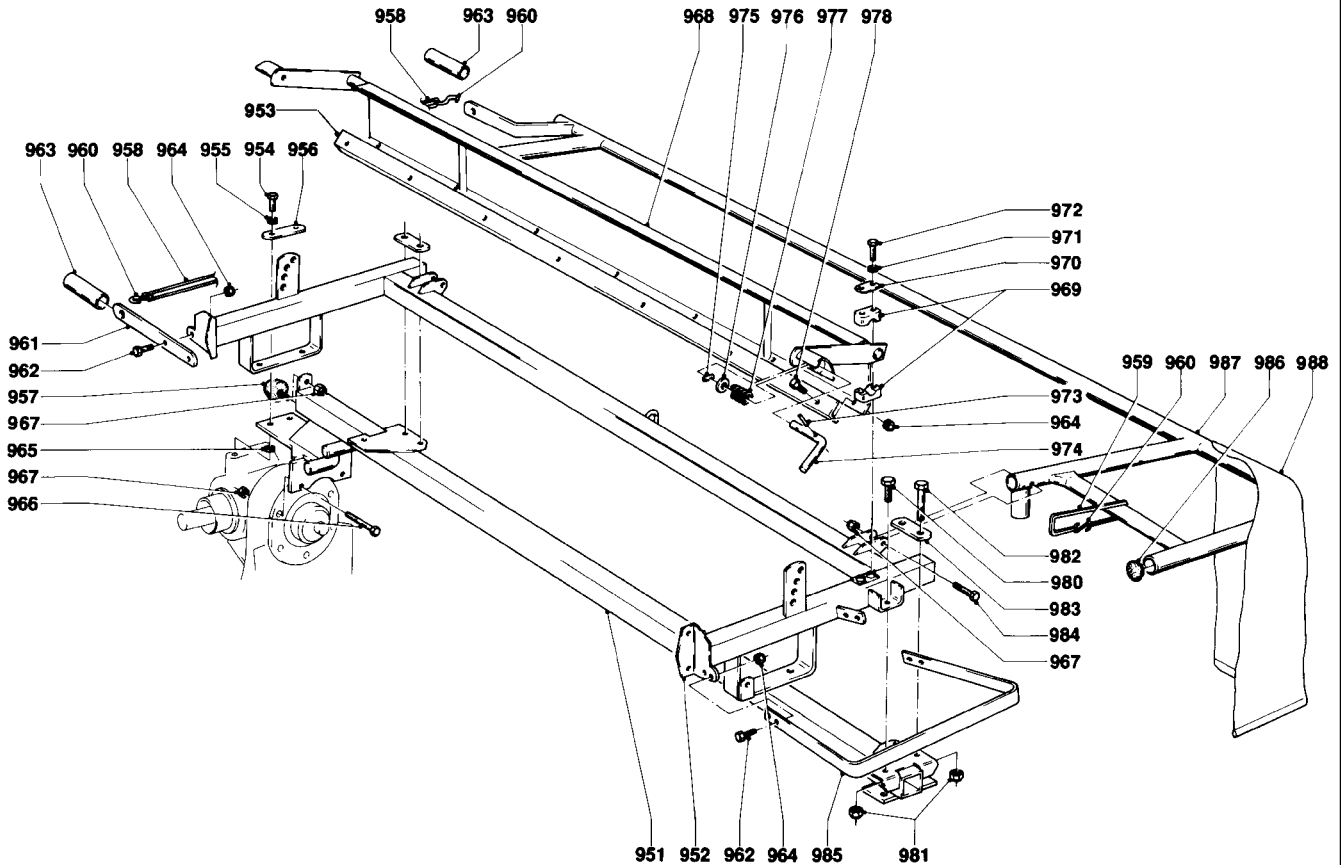
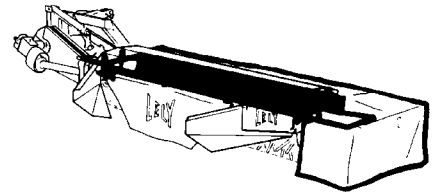
E052-05-10

REF.	ONDERDEELNR. PART NUMBER REFERENCE TEILNUMMER	AANTAL QUANTITY QUANTITE ANZAHL		
901	4.1217.0116.0	1		
902	4.1217.0117.0	1		
903	4.1217.0363.0	1		
904	4.1217.0125.0	1		
905	9.1113.0014*6	52	M8x20 DIN 933-8.8	
906	9.1049.0014.0	27	Nylon	[/]
907	9.1030.0012*3	63	M8 DIN 985-8	
908	4.1217.0364.0	1		
909	9.1113.0130*3	5	M8x30 DIN 933-8.8	
910	4.1217.0390.0	1		
911	4.1220.1119.0	1	[R]	
912	4.1220.1118.0	1	[L]	
913	9.1048.0004*5	31	A8,4 DIN 125	[]
914	4.1217.0362.0	1	[L]	
	4.1217.0361.0	1	[R][x]	
915	9.1113.0041*5	4	M10x70 DIN 931-8.8	
916	9.1048.0007*1	4	A10,5 DIN 125	[]
917	9.1030.0004*2	4	M10 DIN 985-8	
918	4.1217.0365.0	2		
919	4.1207.0184.0	2		
920	4.1217.0130.0	2		
921	4.1217.0141.0	2		
922	4.1217.0420.0	1	[R]	
923	4.1217.0410.0	1	[L]	
924	9.1137.0915.1	8		

REF.	ONDERDEELNR. PART NUMBER REFERENCE TEILNUMMER	AANTAL QUANTITY QUANTITE ANZAHL		
925	9.1137.0914.0	4	Cpl.	
926	9.1048.0002*3	4	A6,4 DIN 125	[]
927	9.1113.0181*5	8	M6x50 DIN 931-8.8	
928	9.1030.0011*2	8	M6 DIN 985-8	
929	9.1030.0013*4	2	M12 DIN 985-8	
931	4.1217.1498.0	2		
932	4.1217.1497.0	2		
933	9.1058.0008*6	4	M8x20 DIN 603	
934	9.1048.0005*6	8	A8,4 DIN 9021	[]
935	4.1220.1997.0	1	[R]	
	4.1220.1998.0	1	[L][x]	
941	9.1170.0001.6	1	"LELY"	
942	9.1170.0052.1	1	"LET OP; DRAAIENDE DELEN"	
943	9.1170.0124.3	1	"NEEM VEILIGHEID IN ACHT"	



	type number type number numéro de type Typnummer	vanaf serienummer as from serial number après numéro de serie ab Serienummer
OPTIMO 280 C	4.1217.0021.1	971 - 0501
OPTIMO 280 C	4.1217.0280.1	971 - 0501



E046-02-01

REF.	ONDERDEELNR. PART NUMBER REFERENCE TEILNUMMER	AANTAL QUANTITY QUANTITE ANZAHL	
------	--	--	--

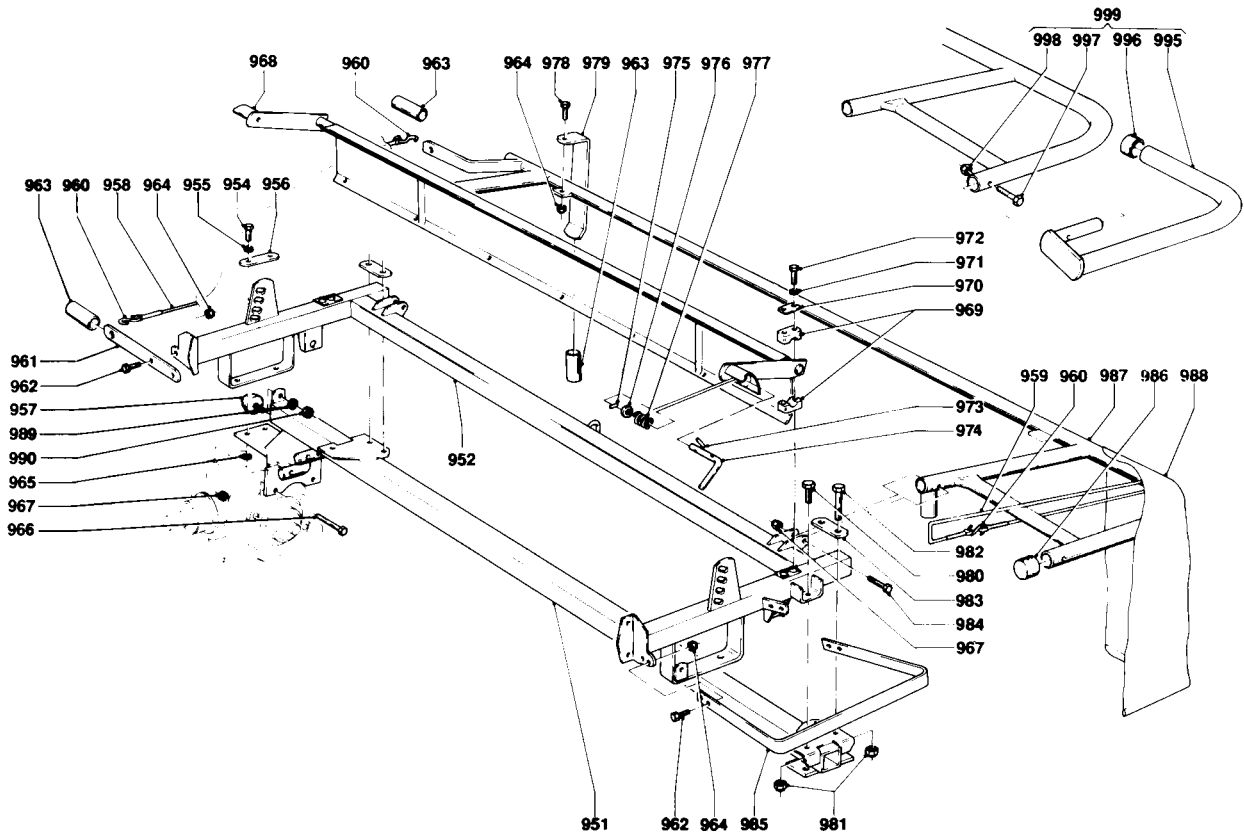
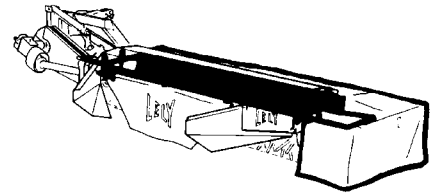
951	4.1217.0251.0	1	
952	4.1217.0051.0	1	
953	4.1217.0124.0	1	
954	9.1113.0178*2	2	M14x35 DIN 933-10.9
955	9.1051.0005*3	2	A14,5 DIN 6798 [////]
956	4.1201.1479.0	1	
957	9.1105.0001.1	2	M10x32
958	9.1054.0003.5	3	Ø8 L= 260 mm
959	9.1054.0004.6	2	Ø8 L= 400 mm
960	9.1147.0005*5	5	
961	4.1217.0349.0	1	
962	9.1113.0130*3	6	M8x30 DIN 933-8.8
963	4.1207.2079.0	2	
964	9.1030.0012*3	13	M8 DIN 985-8
965	9.1048.0053*5	2	A15 DIN 125 [—]
966	9.1113.0156*1	3	M10x85 DIN 931-10.9
967	9.1030.0004*2	10	M10 DIN 985-8
968	4.1217.0061.0	1	
969	9.1137.0904.4	2	Cpl.
970	9.1137.0905.5	2	
971	9.1051.0006.4	4	A6,4 DIN 6798 [////]
972	9.1113.0106*0	4	M6x40 DIN 931-8.8
973	9.1070.0017*3	2	Ø6x30 DIN 1481
974	4.1207.0188.0	2	
975	9.1070.0049*0	2	Ø6x24 DIN 1481

REF.	ONDERDEELNR. PART NUMBER REFERENCE TEILNUMMER	AANTAL QUANTITY QUANTITE ANZAHL	
------	--	--	--

976	9.1048.0012*6	2	A13 DIN 125 [—]
977	4.1002.0093.0	2	
978	9.1113.0014*6	7	M8x20 DIN 933-8.8
980	9.1113.0125*5	2	M12x35 DIN 933-8.8
981	9.1030.0013*4	6	M12 DIN 985-8
982	9.1113.0063*6	4	M12x85 DIN 931-8.8
983	4.1207.0190.0	2	
984	9.1113.0038*2	2	M10x60 DIN 931-8.8
985	4.1217.0348.0	1	
986	9.1108.0059.1	2	Ø34
987	4.1217.0071.0	1	
988	4.1217.0123.0	1	



	type nummer type number número de type Typnummer	vanaf serienummer as from serial number après numéro de serie ab Seriennummer
OPTIMO 280 C	4.1217.0350.1	983 - 0501
OPTIMO 280 C	4.1217.0350.4	983 - 0501



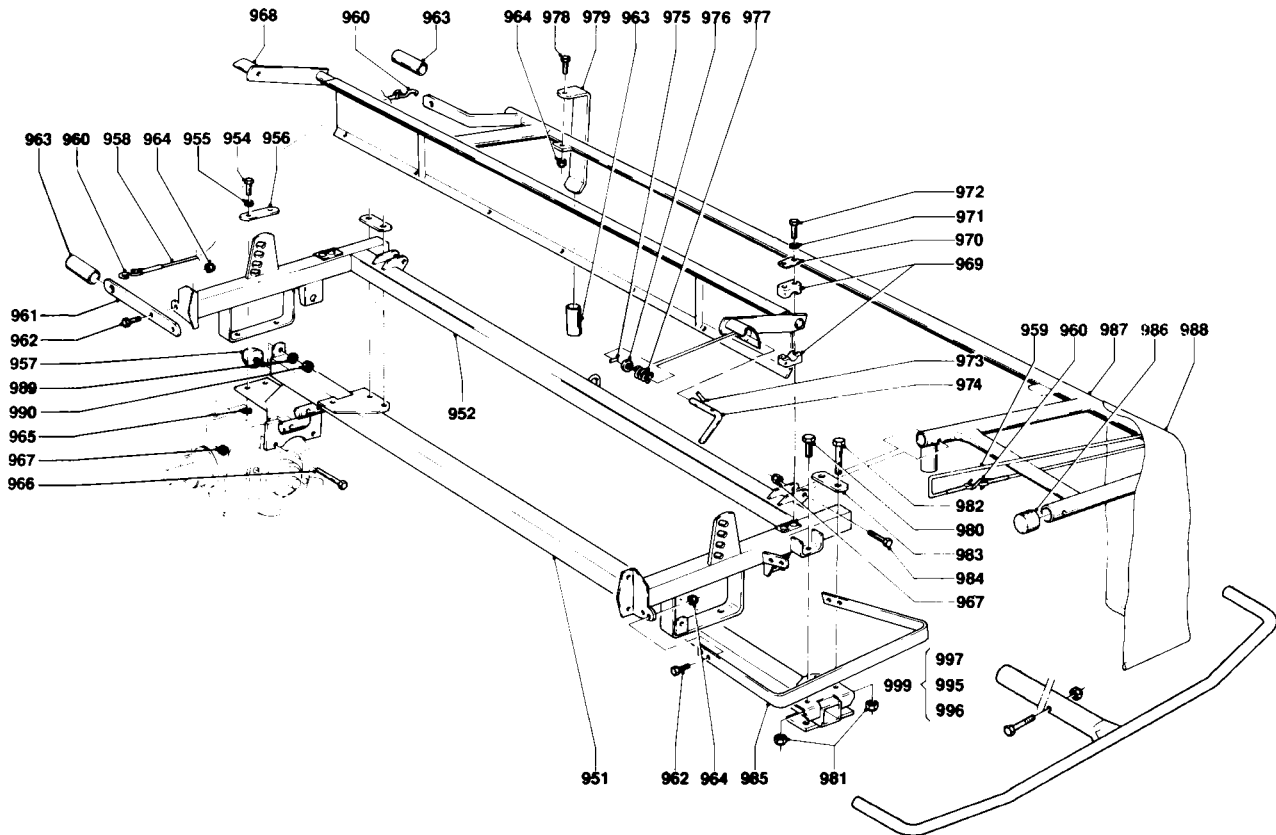
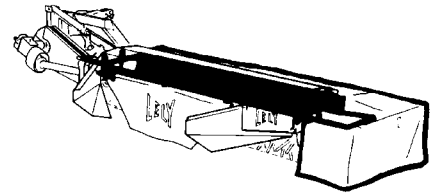
E046-05-20

REF.	ONDERDEELNR. PART NUMBER REFERENCE TEILNUMMER	AANTAL QUANTITY QUANTITE ANZAHL		
951	4.1217.0251.0	1		
952	4.1217.0370.0	1		
954	9.1113.0178*2	2	M14x35 DIN 933-10.9	
955	9.1051.0005*3	2	A14,5 DIN 6798	[//////]
956	4.1201.1479.0	1		
957	9.1105.0011.4	2	M10x28	
958	4.1210.1498.0	1	Ø8 L= 400 mm	
959	4.1207.0175.0	2	Ø8 L= 690 mm	
960	9.1147.0005*5	4		
961	4.1217.0349.0	1		
962	9.1113.0130*3	6	M8x30 DIN 933-8.8	
963	4.1207.2079.0	6		
964	9.1030.0012*3	10	M8 DIN 985-8	
965	9.1048.0053*5	2	A15 DIN 125	[——]
966	9.1113.0156*1	2	M10x85 DIN 931-10.9	
967	9.1030.0004*2	4	M10 DIN 985-8	
968	4.1217.0400.0	1		
969	9.1137.0904.4	2	Cpl.	
970	9.1137.0905.5	2		
971	9.1051.0006.4	4	A6,4 DIN 6798	[//////]
972	9.1113.0106*0	4	M6x40 DIN 931-8.8	
973	9.1070.0017*3	2	Ø6x30 DIN 1481	
974	4.1207.0188.0	2		
975	9.1070.0049*0	2	Ø6x24 DIN 1481	

REF.	ONDERDEELNR. PART NUMBER REFERENCE TEILNUMMER	AANTAL QUANTITY QUANTITE ANZAHL		
976	9.1048.0012*6	2	A13 DIN 125	[——]
977	4.1002.0093.0	2		
978	9.1113.0014*6	4	M8x20 DIN 933-8.8	
979	4.1211.0287.0	4		
980	9.1113.0125*5	2	M12x35 DIN 933-8.8	
981	9.1030.0013*4	6	M12 DIN 985-8	
982	9.1113.0063*6	4	M12x85 DIN 931-8.8	
983	4.1207.0190.0	2		
984	9.1113.0038*2	2	M10x60 DIN 931-8.8	
985	4.1217.0348.0	1		
986	9.1108.0059.1	2	Ø34	
987	4.1217.0071.0	1		
988	4.1217.0123.0	1		
989	9.1051.0002*0	1	A10,5 DIN 6798	[//////]
990	9.1029.0005*4	1	M10 DIN 934-8	
995	4.1201.2430.0	1		
996	9.1108.0059.1	1	Ø34	
997	9.1113.0035*6	1	M10x50 DIN 931-8.8	
998	9.1030.0004*2	1	M10 DIN 985-8	
999	4.1201.2440.0	1	= REF. 995-998	
			Zeildoekbeschermer	
			Cover protection bracket	
			Protection bache	
			Planenschutzbügel	



	type nummer type number numéro de type Typnummer	vanaf serienummer as from serial number après numéro de serie ab Seriennummer
OPTIMO 280 C	4.1217.0350.4	1013 - 0501



E046-05-21

REF.	ONDERDEELNR. PART NUMBER REFERENCE TEILNUMMER	AANTAL QUANTITY QUANTITE ANZAHL	
------	--	--	--

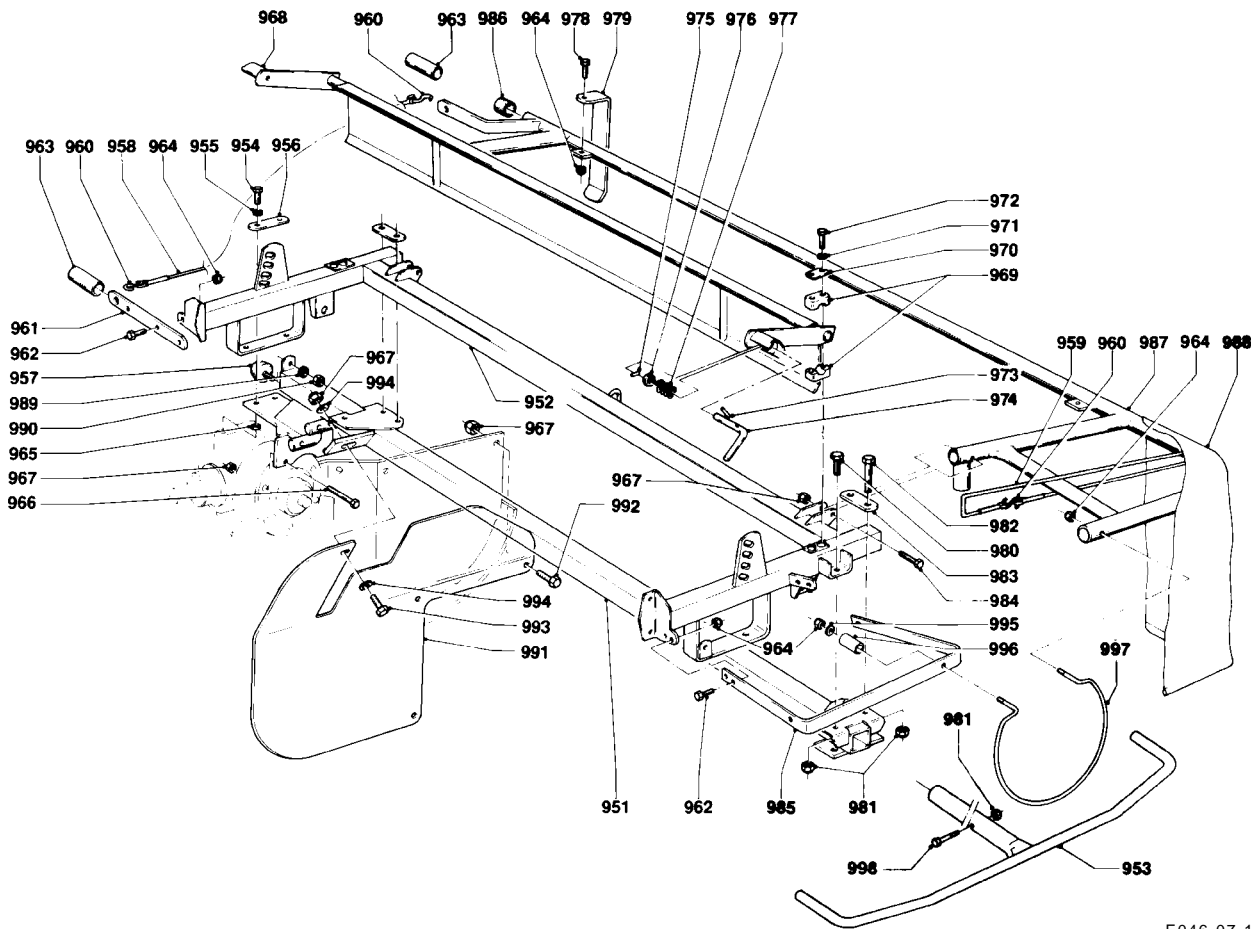
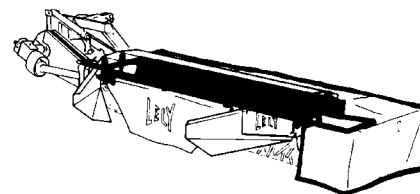
951	4.1217.0251.0	1	
952	4.1217.0370.0	1	
954	9.1113.0178*2	2	M14x35 DIN 933-10.9
955	9.1051.0005*3	2	A14,5 DIN 6798 [//////]
956	4.1201.1479.0	1	
957	9.1105.0011.4	2	M10x28
958	4.1210.1498.0	1	Ø8 L= 400 mm
959	4.1207.0175.0	2	Ø8 L= 690 mm
960	9.1147.0005*5	4	
961	4.1217.0349.0	1	
962	9.1113.0130*3	6	M8x30 DIN 933-8.8
963	4.1207.2079.0	2	
964	9.1030.0012*3	10	M8 DIN 985-8
965	9.1048.0053*5	2	A15 DIN 125 [——]
966	9.1113.0156*1	2	M10x85 DIN 931-10.9
967	9.1030.0004*2	4	M10 DIN 985-8
968	4.1217.0400.0	1	
969	9.1137.0904.4	2	Cpl.
970	9.1137.0905.5	2	
971	9.1051.0006.4	4	A6,4 DIN 6798 [//////]
972	9.1113.0106*0	4	M6x40 DIN 931-8.8
973	9.1070.0017*3	2	Ø6x30 DIN 1481
974	4.1207.0188.0	2	
975	9.1070.0049*0	2	Ø6x24 DIN 1481

REF.	ONDERDEELNR. PART NUMBER REFERENCE TEILNUMMER	AANTAL QUANTITY QUANTITE ANZAHL	
------	--	--	--

976	9.1048.0012*6	2	A13 DIN 125 [——]
977	4.1002.0093.0	2	
978	9.1113.0014*6	4	M8x20 DIN 933-8.8
979	4.1211.0287.0	4	
980	9.1113.0125*5	2	M12x35 DIN 933-8.8
981	9.1030.0013*4	6	M12 DIN 985-8
982	9.1113.0063*6	4	M12x85 DIN 931-8.8
983	4.1207.0190.0	2	
984	9.1113.0038*2	2	M10x60 DIN 931-8.8
985	4.1217.0348.0	1	
986	9.1108.0059.1	2	Ø34
987	4.1217.0071.0	1	
988	4.1217.0123.0	1	
989	9.1051.0002*0	1	A10,5 DIN 6798 [//////]
990	9.1029.0005*4	1	M10 DIN 934-8
995	4.1207.2060.0	1	
996	9.1113.0060*3	1	M12x75 DIN 931-8.8
997	9.1030.0013*4	1	M12 DIN 985-8
999	4.1207.2050.0	1	= REF. 995-997



	type nummer type number numéro de type Typnummer	vanaf serienummer as from serial number après numéro de serie ab Seriennummer
OPTIMO 280 C	4.1217.0350.4	10111 - 0551



E046-07-10

REF.	ONDERDEELNR. PART NUMBER REFERENCE TEILNUMMER	AANTAL QUANTITY QUANTITE ANZAHL
------	--	--

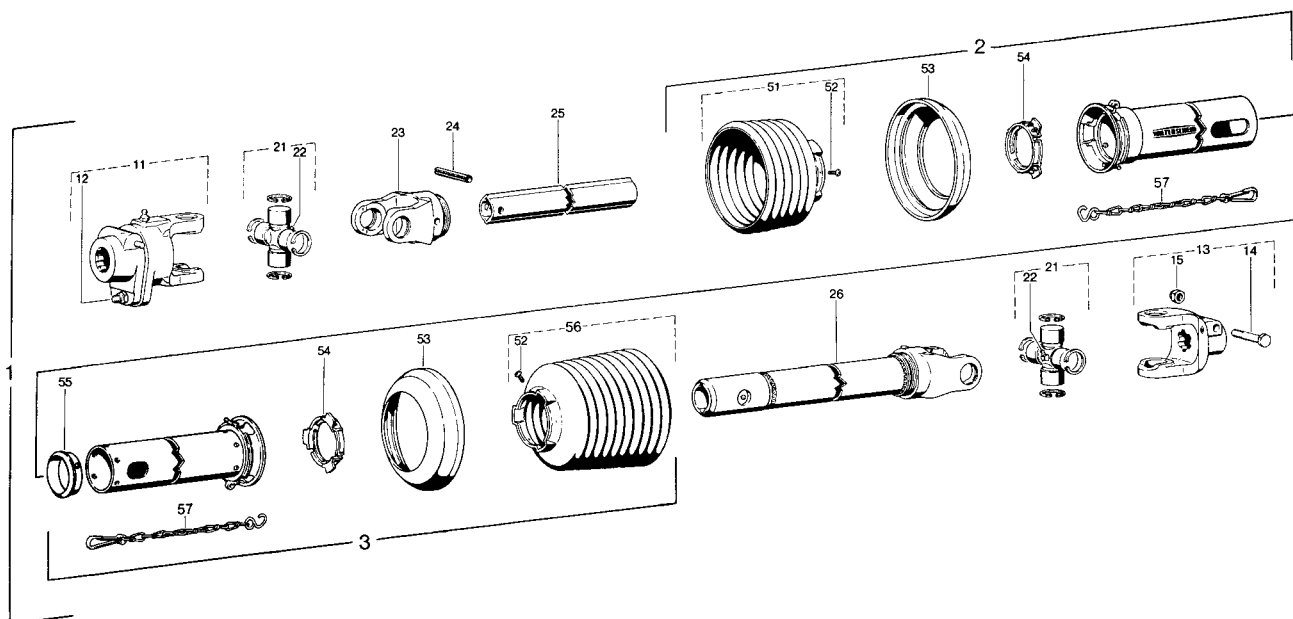
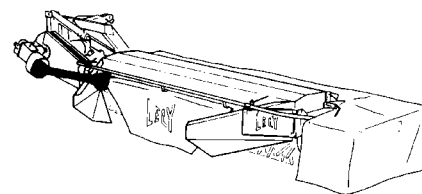
951	4.1217.0252.0	1
952	4.1217.0370.0	1
953	4.1207.2060.0	1
954	9.1113.0178*2	2
955	9.1051.0005*3	2
956	4.1201.1479.0	1
957	9.1105.0011.4	2
958	4.1210.1498.0	1
959	4.1207.0175.0	2
960	9.1147.0005*5	4
961	4.1217.0349.0	1
962	9.1113.0130*3	6
963	4.1207.2079.0	2
964	9.1030.0012*3	12
965	9.1048.0053*5	2
966	9.1113.0156*1	2
967	9.1030.0004*2	8
968	4.1217.0400.0	1
969	9.1137.0904.4	2
970	9.1137.0905.5	2
971	9.1051.0006.4	4
972	9.1113.0106*0	4
973	9.1070.0017.3	2
974	4.1207.0188.0	2
975	9.1070.0049.0	2

REF.	ONDERDEELNR. PART NUMBER REFERENCE TEILNUMMER	AANTAL QUANTITY QUANTITE ANZAHL
------	--	--

976	9.1048.0012*6	2
977	4.1002.0093.0	2
978	9.1113.0014*6	4
979	4.1211.0287.0	4
980	9.1113.0125*5	2
981	9.1030.0013*4	7
982	9.1113.0063*6	4
983	4.1207.0190.0	2
984	9.1113.0038*2	2
985	4.1217.0348.0	1
986	9.1108.0059.1	1
987	4.1217.0071.0	1
988	4.1217.0123.0	1
989	9.1051.0002*0	1
990	9.1029.0005*4	1
991	4.1207.1489.0	1
992	9.1113.0027*5	3
993	9.1113.0029*0	1
994	9.1048.0007*1	2
995	9.1048.0004*5	1
996	9.1073.0014.4	1
997	4.1210.1496.0	1
998	9.1113.0060*3	1



	type nummer type number numéro de type Typnummer	vanaf serienummer as from serial number après numéro de série ab Seriennummer
OPTIMO 280 C	4.1217.0021.1	971 - 0501
OPTIMO 280 C	4.1217.0280.1	971 - 0501
OPTIMO 280 C	4.1217.0350.1	983 - 0501
OPTIMO 280 C	4.1217.0350.4	983 - 0501



Ew002-02-01

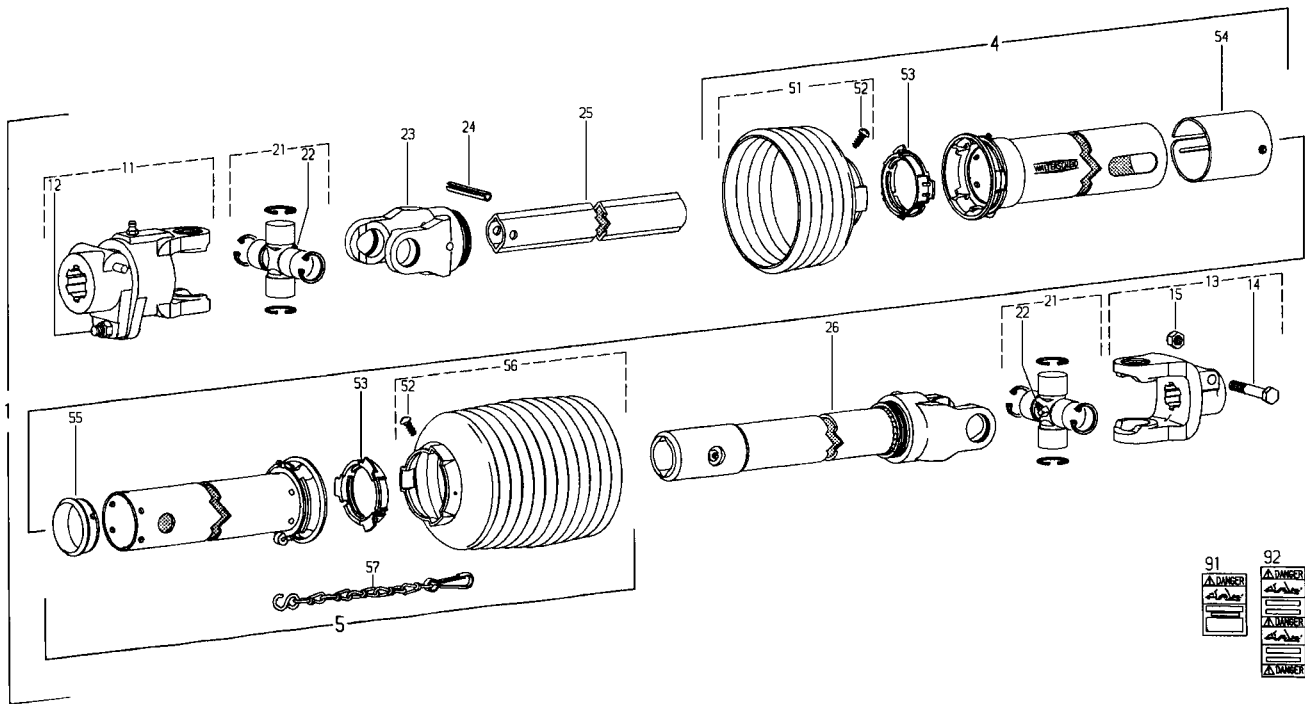
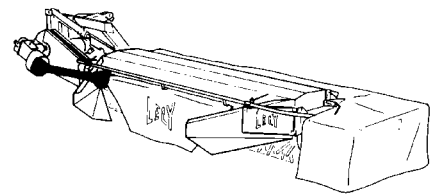
REF.	ONDERDEELNR. PART NUMBER REFERENCE TEILNUMMER	AANTAL QUANTITY QUANTITE ANZAHL	
------	--	--	--

1	9.1154.0098.0	1	W2200N-SD15Z-550-K61/1 = REF. 2-57
2	85.117	1	SDH 15-A; L= 380 mm
3	85.121	1	SDH 15Z-J; L= 375 mm
11	57.100.12	1	K61/1 - 1.1/8" (6) M=910Nm
12	9.1113.0205*1	1+10	M8x35 DIN 933-8.8
	9.1030.0012*3	1+10	M8 DIN 985-8
13	20.10.02	1	1.3/8" (6)
14	9.1113.0057*0	1	M12x60 DIN 931-8.8
15	9.1030.0013*4	1	M12 DIN 985-8
21	20.00.00	2	
22	63.27.00	2	M8x1
23	20.11.00	1	RG 2200-Ov
24	61.05.04	1	Ø10x65 DIN 1481
25	75.11.66	1	Ov geh.; L= 470 mm
26	20.12.132	1	WELG 2200-1n; L= 475 mm
51	85.15.04	1	
52	60.15.00	2	4x10
53	82.85.00	2	
54	82.83.06	2	
55	82.83.106	1	SC 15 Z
56	85.15.10	1	
57	82.36.03	2	

REF.	ONDERDEELNR. PART NUMBER REFERENCE TEILNUMMER	AANTAL QUANTITY QUANTITE ANZAHL	
------	--	--	--



	type nummer type number numéro de type Typnummer	vanaf serienummer as from serial number après numéro de série ab Seriennummer
OPTIMO 280 C	4.1217.0350.4	10111 - 0551



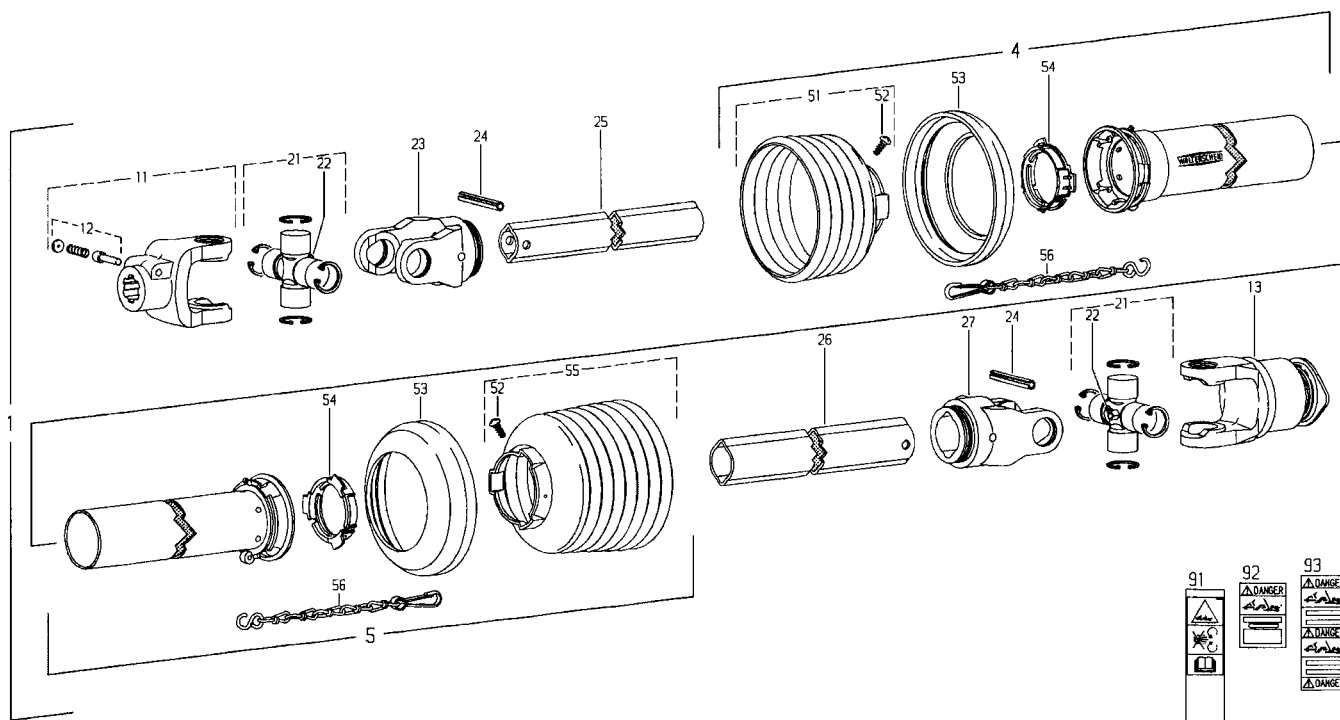
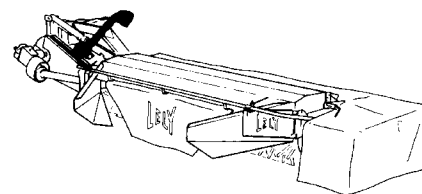
Ew002-04-01

REF.	ONDERDEELNR. PART NUMBER REFERENCE TEILNUMMER	AANTAL QUANTITY QUANTITE ANZAHL	
1	9.1154.0098.0	1	W2200N-SC15Z-550-K61/1 = REF. 11-92
4	85.152	1	SCH 15-A; L= 380 mm
5	85.165	1	SCH 15Z-J; L= 370 mm
11	57.100.12	1	K61/1 - 1.1/8" (6) M= 910Nm
12	9.1113.0205*1 9.1030.0012*3	10 10	M8x35 DIN 933-8.8 M8 DIN 985-8
13	20.10.02	1	1.3/8" (6)
14	9.1113.0057*0	1	M12x60 DIN 931-8.8
15	9.1030.0013*4	1	M12 DIN 985-8
21	20.00.00	2	
22	63.27.00	2	BM 8x1
23	20.11.00	1	RG 2200-Ov
24	61.05.04	1	Ø10x65 DIN 1481
25	75.11.66	1	OvH; L= 470 mm
26	20.12.132	1	WELG 2200-1nH; L= 475 mm
51	85.15.04	1	n= 4
52	60.15.00	2	4x10
53	82.83.06	2	
54	80.61.104	1	
55	82.83.106	1	SC 15Z
56	85.15.10	1	n= 10
57	82.36.03	1	
91	38.33.33	1	
92	38.33.34	1	

REF.	ONDERDEELNR. PART NUMBER REFERENCE TEILNUMMER	AANTAL QUANTITY QUANTITE ANZAHL	
91	38.33.33	1	
92	38.33.34	1	



	type nummer type number numéro de type Typnummer	vanaf serienummer as from serial number après numéro de serie ab Seriennummer
OPTIMO 280 C	4.1217.0201.1	972 - 0501
OPTIMO 280 C	4.1217.0202.1	983 - 0501
OPTIMO 280 C	4.1217.0203.1	1011 - 0501
OPTIMO 280 C	4.1217.0204.1	10111 - 0501



Ew001-06-00

REF.	ONDERDEELNR. PART NUMBER REFERENCE TEILNUMMER	AANTAL QUANTITY QUANTITE ANZAHL	
------	--	--	--

1	9.1154.0083.6	1	W2400-SD25-860-F5/1 R = REF. 11-93
4	85.205	1	SDH25; L= 645 mm
5	85.204	1	SDH25; L= 640 mm
11	35.10.00	1	1.3/8" (6)
12	33.91.07	1	AGRASET 101
13	56.144.40	1	F5/1 R-2400-1.3/8" (6)
21	35.00.00	2	
22	63.27.00	2	BM 8x1
23	35.13.00	1	RG2400-1b
24	61.05.08	2	Ø10x80 DIN 1481
25	75.25.95	1	1bGA; L= 740 mm
26	75.36.15	1	2aG; L= 715 mm
27	35.14.00	1	RG2400-2a
51	85.25.06	1	n= 6
52	60.15.00	2	4x10
53	82.85.00	2	
54	82.83.04	2	
55	85.25.08	1	n= 8
56	82.36.03	2	
91	16.61.175	1	
92	38.33.33	1	
93	38.33.34	1	

REF.	ONDERDEELNR. PART NUMBER REFERENCE TEILNUMMER	AANTAL QUANTITY QUANTITE ANZAHL	
------	--	--	--

91			
92			
93			