

LELY

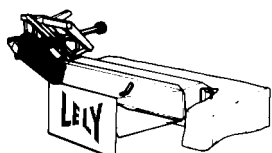
OPTIMO	type number type number numéro de type Typnummer	vanaf serienummer as from serial number après numéro de serie ab Seriennummer
205 C	4.1208.0300.1	906 - 0501
	4.1208.0301.1	982 - 0501
	4.1208.0303.1	10110 - 0501
205 C	4.1208.0020.1	958 - 0571
	4.1208.0020.1	982 - 0501

C5

**Inhoud
Contents
Index
Inhalt**

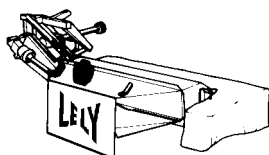
OPTIMO 205 C

**pagina
page
page
Seite**



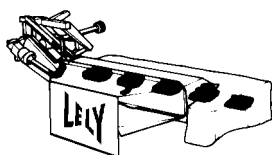
Snaaraandrijving
V-belt drive
Entraînement à courroies
Keilriemenantrieb

01



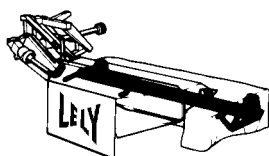
Tandwielkast
Gearbox
Boîte d'engrenages
Getriebe

02



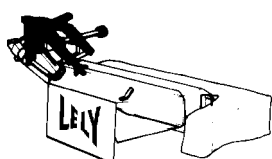
Maaielementen
Cutting units
Unités de fauchage
Mäh-Einheiten

03



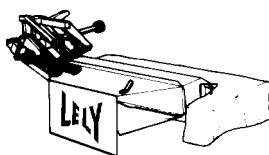
Maaibalk
Cutter bar
Barre de coupe
Mähbalken

04



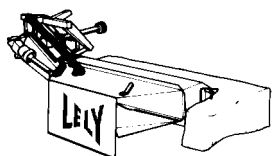
Driepuntsbok
Headstock
Tête d'attelage
Dreipunktturm

05



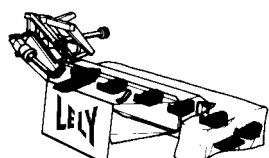
Freem + uitslagbeveiliging
Frame + anti-shock device
Châssis + dispositif anti-choc
Rahmen + Ausklinkvorrichtung

06



Hydraulische cilinder
Hydraulic ram
Vérin hydraulique
Hydraulikzylinder

07



Beschermpaten
Protection plates
Plaques de protection
Schutzplatten

08

LELY

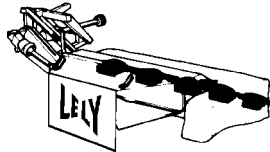
OPTIMO

type nummer
type number
numéro de type
Typnummervanaf serienummer
as from serial number
après numéro de série
ab Seriennummer

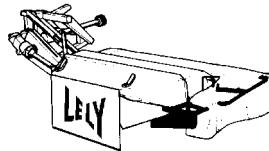
205 C

4.1208.0300.1
4.1208.0301.1
4.1208.0303.1906 - 0501
982 - 0501
10110 - 0501

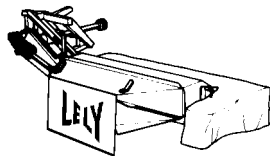
205 C

4.1208.0020.1
4.1208.0020.1958 - 0571
982 - 0501**C5**Inhoud
Contents
Index
Inhalt**OPTIMO 205 C**pagina
page
page
SeiteMaaibalk-steenbescherming
Cutter bar stone protection
Jeu de protection anti-pierres
Mähbalken-Steinschützsatz

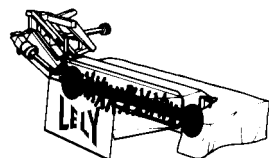
09

Beschermbougels
Protection brackets
Arceaux protecteur
Schutzbügel

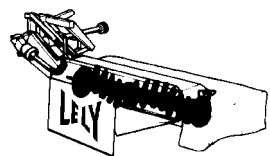
10

Kneuzer-tandwielkast
Conditioner gearbox
Boîte de vitesse de conditionneuse
Aufbereitergetriebe

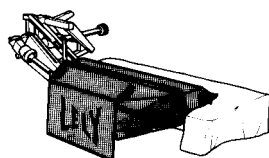
11

Rotor (ronde kneusvingers)
Rotor (round flails)
Rotor (fléaux ronds)
Rotor (runde Schlegel)

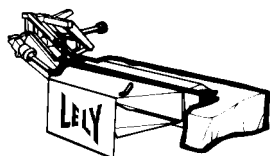
12

Rotor (platte kneusvingers)
Rotor flat flails)
Rotor (fléaux plats)
Rotor (flache Schlegel)

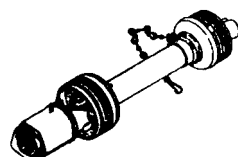
13

Kneuzerkap
Conditioner hood
Capot conditionneuse
Aufbereiterhaube

14

Kneuzerfreem
Conditioner frame
Châssis conditionneuse
Aufbereiterrahmen

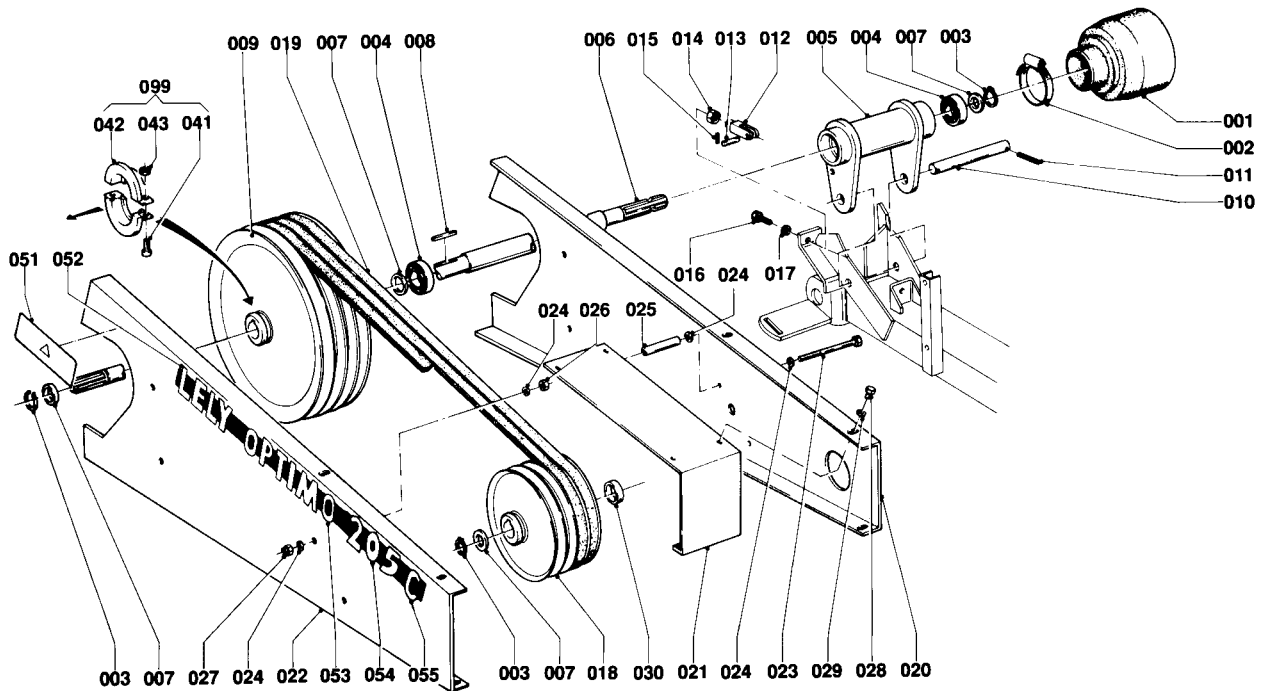
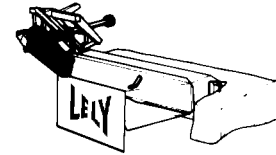
15

Koppelingsas
PTO shaft
Arbre de transmission
Gelenkwelle

16 + 17



	type nummer type number numéro de type Typnummer	vanaf serienummer as from serial number après numéro de serie ab Seriennummer
OPTIMO 205 C	4.1208.0300.1	949 - 0501



E009-04-01

REF.	ONDERDEELNR. PART NUMBER REFERENCE TEILNUMMER	AANTAL QUANTITY QUANTITE ANZAHL
------	--	--

001	9.1161.0014.0	1
002	9.1066.0010*0	1
003	9.1119.0019.5	3
004	9.1001.0025.3	2
005	4.1201.0522.0	1
006	4.1207.0378.0	1
007	9.1052.0006.3	4
008	9.1071.0037.1	1
009	4.1201.0519.0	1
010	4.1201.1478.0	1
011	9.1070.0023*2	2
012	9.1038.0006*3	1
013	4.1201.1471.0	1
014	9.1029.0008*0	1
015	9.1070.0017*3	2
016	9.1113.0061*4	1
017	9.1048.0012*6	1
018	4.1201.1466.0	1
019	9.1075.0003.5	3
020	4.1207.0618.0	1
021	4.1201.0500.0	1
022	4.1207.0619.0	1
023	9.1113.0123*3	4
024	9.1049.0018.4	16
025	4.1201.1497.0	4

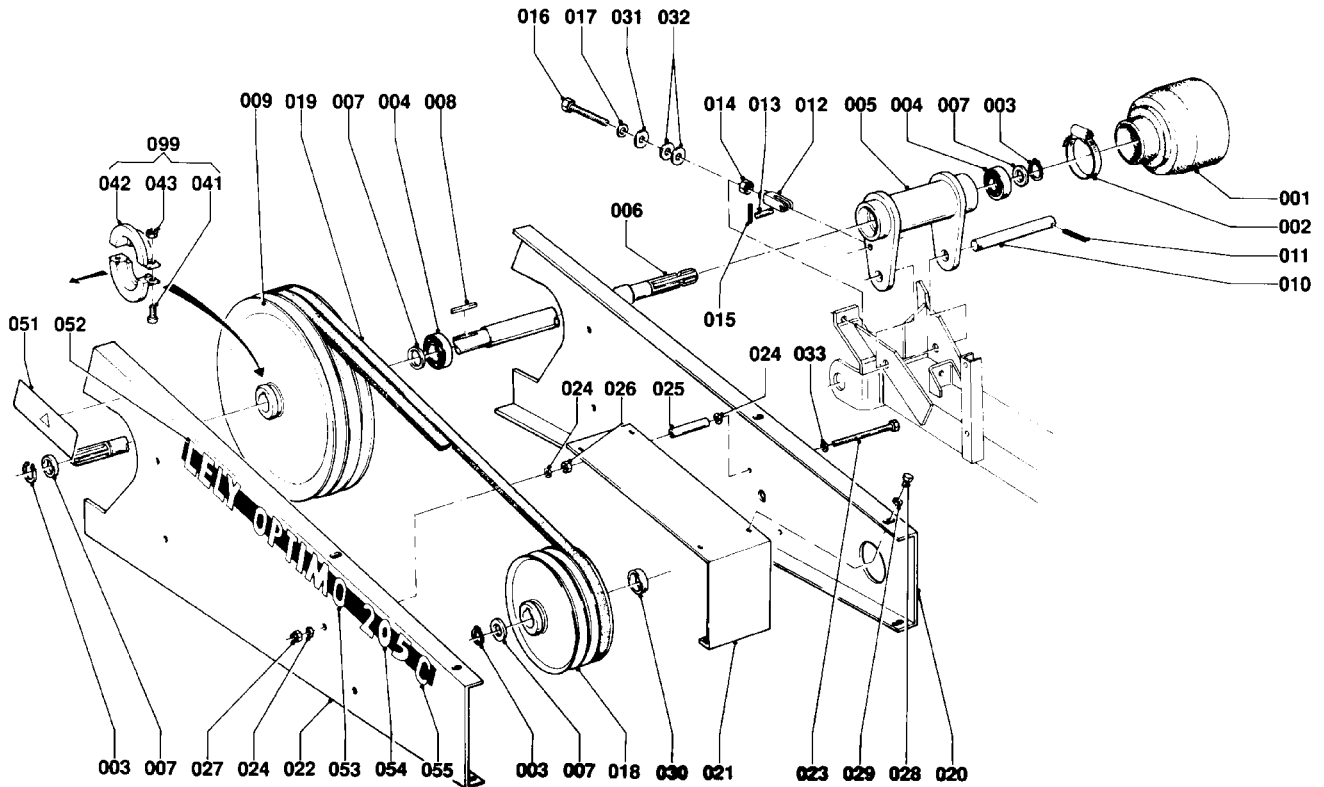
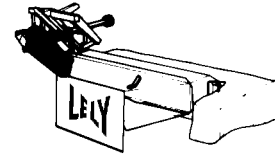
REF.	ONDERDEELNR. PART NUMBER REFERENCE TEILNUMMER	AANTAL QUANTITY QUANTITE ANZAHL
------	--	--

026	9.1029.0005*4	4
027	9.1030.0004*2	4
028	9.1113.0013*5	6
029	9.1051.0001*6	6
030	4.1201.1496.0	1
041	9.1057.0003*2	2
042	4.1201.2310.0	2
043	9.1029.0004*3	2
051	9.1170.0052.1	1
052	9.1170.0253.6	1
053	9.1170.0255.1	1
054	9.1170.0258.4	1
055	9.1170.0262.1	1
099	4.1201.2300.0	1

= REF. 041-043
Hulpstuk voor pulley-trekker
Attachment for pulley puller
Access. d' extracteur-poulie
Zubehör für Abzieher

LELY

	type nummer type number numéro de type Typnummer	vanaf serienummer as from serial number après numéro de serie ab Seriennummer
OPTIMO 205 C	4.1208.0301.1	982 - 0501



E054-01-00

REF.	ONDERDEELNR. PART NUMBER REFERENCE TEILNUMMER	AANTAL QUANTITY QUANTITE ANZAHL
------	--	--

001	9.1161.0014.0	1
002	9.1066.0010*0	1
003	9.1119.0019.5	3
004	9.1001.0025.3	2
005	4.1201.0522.0	1
006	4.1207.0378.0	1
007	9.1052.0006*3	4
008	9.1071.0037.1	1
009	4.1201.0519.0	1
010	4.1201.1478.0	1
011	9.1070.0023*2	2
012	9.1038.0006*3	1
013	4.1201.1471.0	1
014	9.1029.0008*0	1
015	9.1070.0018*4	2
016	9.1113.0273*6	1
017	9.1048.0012*6	1
018	4.1201.1466.0	1
019	9.1075.0003.5	3
020	4.1207.0618.0	1
021	4.1201.0500.0	1
022	4.1207.0619.0	1
023	9.1113.0143*2	4
024	9.1049.0018.4	12
025	4.1201.1463.0	4

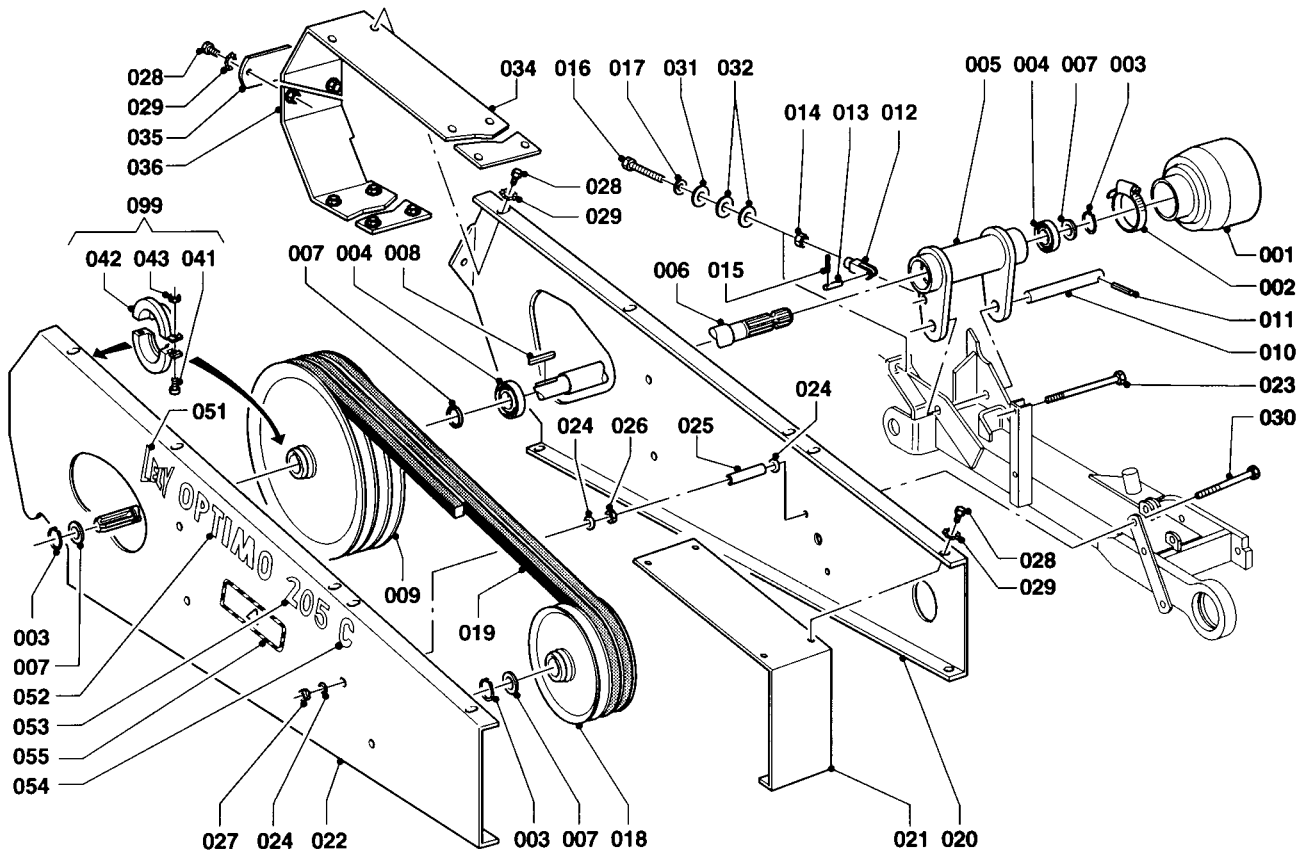
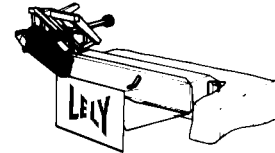
REF.	ONDERDEELNR. PART NUMBER REFERENCE TEILNUMMER	AANTAL QUANTITY QUANTITE ANZAHL
------	--	--

026	9.1029.0005*4	4
027	9.1030.0004*2	4
028	9.1113.0013*5	6
029	9.1051.0001*6	6
030	4.1201.1496.0	1
031	9.1048.0041*0	1
032	9.1048.0067.5	2
033	9.1048.0047.6	4
041	9.1057.0003*2	2
042	4.1201.2310.0	2
043	9.1029.0004*3	2
051	9.1170.0052.1	1
052	9.1170.0253.6	1
053	9.1170.0255.1	1
054	9.1170.0258.4	1
055	9.1170.0262.1	1
099	4.1201.2300.0	1

= REF. 041-043
Hulpstuk voor pulley-trekker
Attachment for pulley puller
Access. d' extracteur-poulie
Zubehör für Abzieher

LELY

	type nummer type number numéro de type Typnummer	vanaf serienummer as from serial number après numéro de serie ab Seriennummer
OPTIMO 205 C	4.1208.0303.1	10110 - 0501



E054-04-01

REF.	ONDERDEELNR. PART NUMBER REFERENCE TEILNUMMER	AANTAL QUANTITY QUANTITE ANZAHL
------	--	--

001	9.1161.0014.0	1
002	9.1066.0010*0	1
003	9.1119.0019.5	3
004	9.1001.0025.3	2
005	4.1225.0420.0	1
006	4.1207.0378.0	1
007	9.1052.0006*3	4
008	9.1071.0037.1	1
009	4.1201.0519.0	1
010	4.1225.1494.0	1
011	9.1070.0023.2	2
012	9.1038.0006*3	1
013	4.1201.1471.0	1
014	9.1029.0008*0	1
015	9.1070.0018.4	2
016	9.1113.0273*6	1
017	9.1048.0012*6	1
018	4.1208.1495.0	1
019	9.1075.0003.5	3
020	4.1207.0623.0	1
021	4.1229.0170.0	1
022	4.1207.0622.0	1
023	9.1113.0143*2	2
024	9.1049.0018.4	12
025	4.1229.1498.0	4

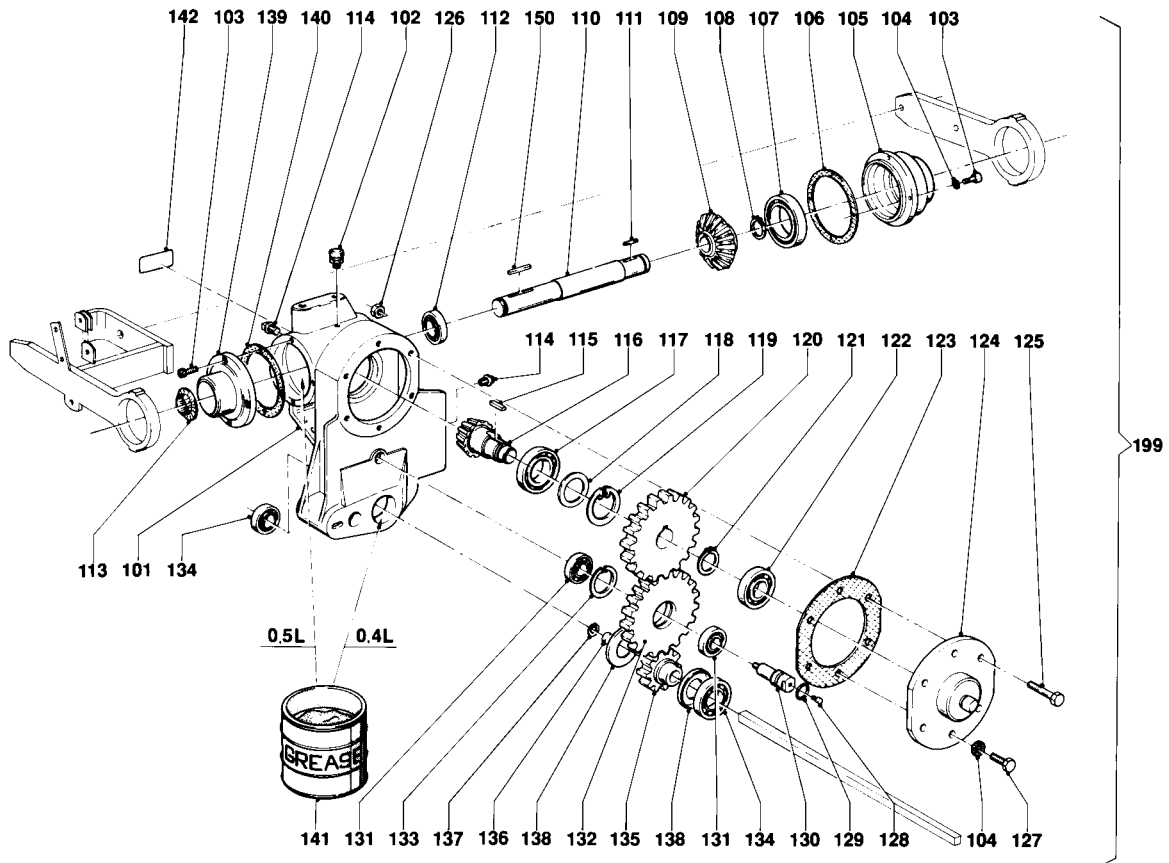
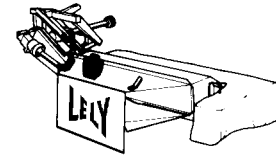
REF.	ONDERDEELNR. PART NUMBER REFERENCE TEILNUMMER	AANTAL QUANTITY QUANTITE ANZAHL
------	--	--

026	9.1029.0005*4	4
027	9.1030.0004*2	4
028	9.1113.0013*5	20
029	9.1051.0001*6	20
030	9.1113.0292*4	2
031	9.1048.0041*0	1
032	9.1048.0067.5	2
034	4.1207.0660.0	1
035	4.1207.0624.0	1
036	4.1207.0651.0	1
041	9.1057.0003.2	2
042	4.1201.2310.0	2
043	9.1029.0004*3	2
051	9.1170.0200.2	1
052	9.1170.0371.5	1
053	9.1170.0372.6	1
054	9.1170.0373.0	1
055	9.1170.0052.1	1
099	4.1201.2300.0	1

M10 DIN 934-8
M10 DIN 985-8
M8x16 DIN 933-8.8
A8,2 DIN 6798 [//////]
M10x160 DIN 931-8.8
A13 DIN 9021 [____]
A13 DIN 9021 Nylon [____]
M8x20 DIN 912-8.8
M8 DIN 934-8
"LELY"
"OPTIMO"
"205"
"C"
"LET OP; DRAAIENDE DELEN"
= REF. 041-043
Hulpstuk voor pulley-trekker
Attachment for pulley puller
Access. d' extracteur-poulie
Zubehör für Abzieher



4.1208.0000.0	type number type number numéro de type Typnummer	vanaf serienummer as from serial number après numéro de serie ab Seriennummer
OPTIMO 205 C	4.1208.0300.1	958 - 0501



E002-08-00

REF.	ONDERDEELNR. PART NUMBER REFERENCE TEILNUMMER	AANTAL QUANTITY QUANTITE ANZAHL
------	--	--

101	4.1201.0301.0	1
102	4.1201.1472.0	1
103	9.1057.0010.2	8
104	9.1051.0002.0	7
105	4.1201.0303.0	1
106	4.1201.0311.0	-
107	9.1001.0067.3	1
108	9.1119.0019.5	1
109	4.1201.0314.0	1
110	4.1201.0304.0	1
111	9.1071.0021.6	1
112	9.1001.0087.2	1
113	9.1106.0009.1	1
114	9.1131.0001.3	2
115	9.1071.0039.3	1
116	4.1201.0321.0	1
117	9.1001.0059.2	1
118	4.1201.0310.0	-
119	9.1120.0014.6	1
120	4.1201.0320.0	1
121	9.1119.0020.6	1
122	9.1001.0019.4	1
123	4.1201.0325.0	1
124	4.1201.0290.0	1
	9.1150.0008.5	-

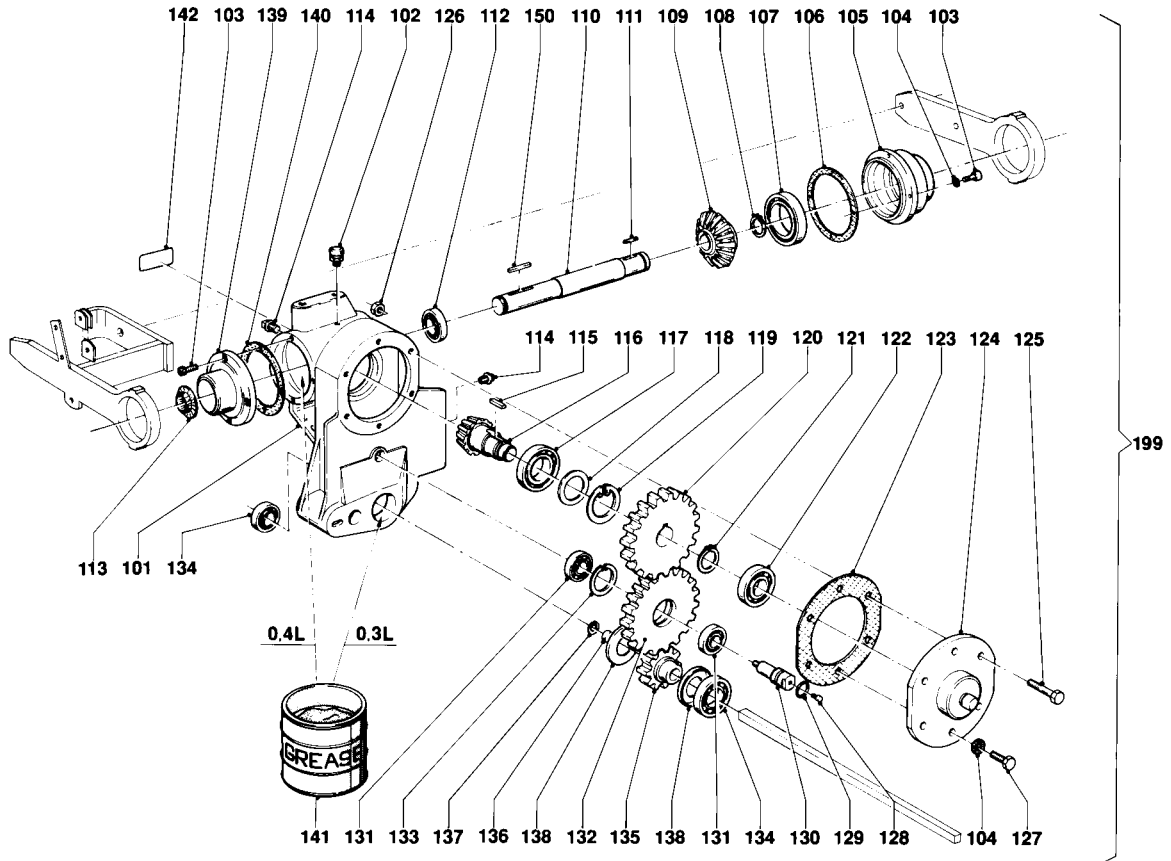
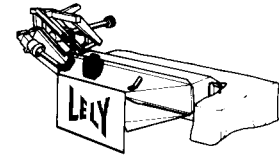
REF.	ONDERDEELNR. PART NUMBER REFERENCE TEILNUMMER	AANTAL QUANTITY QUANTITE ANZAHL
------	--	--

125	9.1113.0156*1	1
126	9.1030.0004*2	1
127	9.1113.0027.5	3
128	9.1108.0034.3	1
129	9.1043.0013.5	1
130	4.1201.0306.0	1
131	9.1001.0090.5	2
132	4.1201.0307.0	1
133	9.1120.0002.1	1
134	9.1001.0068.4	2
135	4.1201.0317.0	1
136	4.1201.0329.0	1
137	9.1120.0028.6	1
138	9.1107.0009.0	2
139	4.1201.0302.0	1
140	4.1201.0328.0	1
141	9.1171.0007.4	0,9L
	9.1171.0034.3	-
142	9.1170.0064.6	1
150	9.1071.0033.4	1
199	4.1201.0280.0	1

M10x85 DIN 931-8.8
M10 DIN 985-8
M10x20 DIN 933-8.8
R1/8"
OR 22x1,5
[D+D]
16016
35x2,50 DIN 471
A10x8x63 DIN 6885
6207 2RS-1-C3
Z207
R1/2"
B12x8x25 DIN 6885
[D+D]
6210 2RS
90x3,00 DIN 472
42x1,75 DIN 471
6206
18x1,00 DIN 472
6205 ZAV
ESSO Fibrax EP370
15 kg ESSO Fibrax EP370
"ESSO Fibrax EP370"
A10x8x70 DIN 6885
= REF. 101-142

LELY

4.1208.0000.0	type number type number numéro de type Typnummer	vanaf serienummer as from serial number après numéro de serie ab Seriennummer
OPTIMO 205 C	4.1208.0300.1	971 - 0501
OPTIMO 205 C	4.1208.0301.1	980 - 0501



E002-08-01

REF.	ONDERDEELNR. PART NUMBER REFERENCE TEILNUMMER	AANTAL QUANTITY QUANTITE ANZAHL
------	--	--

101	4.1201.0301.0	1
102	4.1201.1472.0	1
103	9.1057.0010.2	8
104	9.1051.0002.0	7
105	4.1201.0303.0	1
106	4.1201.0311.0	-
107	9.1001.0067.3	1
108	9.1119.0019.5	1
109	4.1201.0314.0	1
110	4.1201.0304.0	1
111	9.1071.0021.6	1
112	9.1001.0087.2	1
113	9.1106.0009.1	1
114	9.1131.0001.3	2
115	9.1071.0039.3	1
116	4.1201.0321.0	1
117	9.1001.0059.2	1
118	4.1201.0310.0	-
119	9.1120.0014.6	1
120	4.1201.0320.0	1
121	9.1119.0020.6	1
122	9.1001.0019.4	1
123	4.1201.0325.0	1
124	4.1201.0290.0	1
	9.1150.0008.5	-

REF.	ONDERDEELNR. PART NUMBER REFERENCE TEILNUMMER	AANTAL QUANTITY QUANTITE ANZAHL
------	--	--

125	9.1113.0156*1	1
126	9.1030.0004*2	1
127	9.1113.0027.5	3
128	9.1108.0034.3	1
129	9.1043.0013.5	1
130	4.1201.0306.0	1
131	9.1001.0090.5	2
132	4.1201.0307.0	1
133	9.1120.0002.1	1
134	9.1001.0068.4	2
135	4.1201.0317.0	1
136	4.1201.0329.0	1
137	9.1120.0028.6	1
138	9.1107.0009.0	2
139	4.1201.0302.0	1
140	4.1201.0328.0	1
141	9.1171.0039.1	(0,7L)
	9.1171.0040.2	(0,7L)
	9.1171.0041.3	(0,7L)
	9.1171.0031.0	(0,7L)
	9.1171.0030.6	(0,7L)
	9.1171.0029.5	(0,7L)
		1 kg CALITHIA EP-T-0 SHELL
		5 kg CALITHIA EP-T-0 SHELL
		10 kg CALITHIA EP-T-0 SHELL
		1 kg EHL 484 XC ESSO
		5 kg EHL 484 XC ESSO
		10 kg EHL 484 XC ESSO
142	9.1170.0303.0	1
	9.1170.0264.3	1
150	9.1071.0033.4	1
199	4.1201.0280.0	1

"CALITHIA EP-T-0 SHELL"

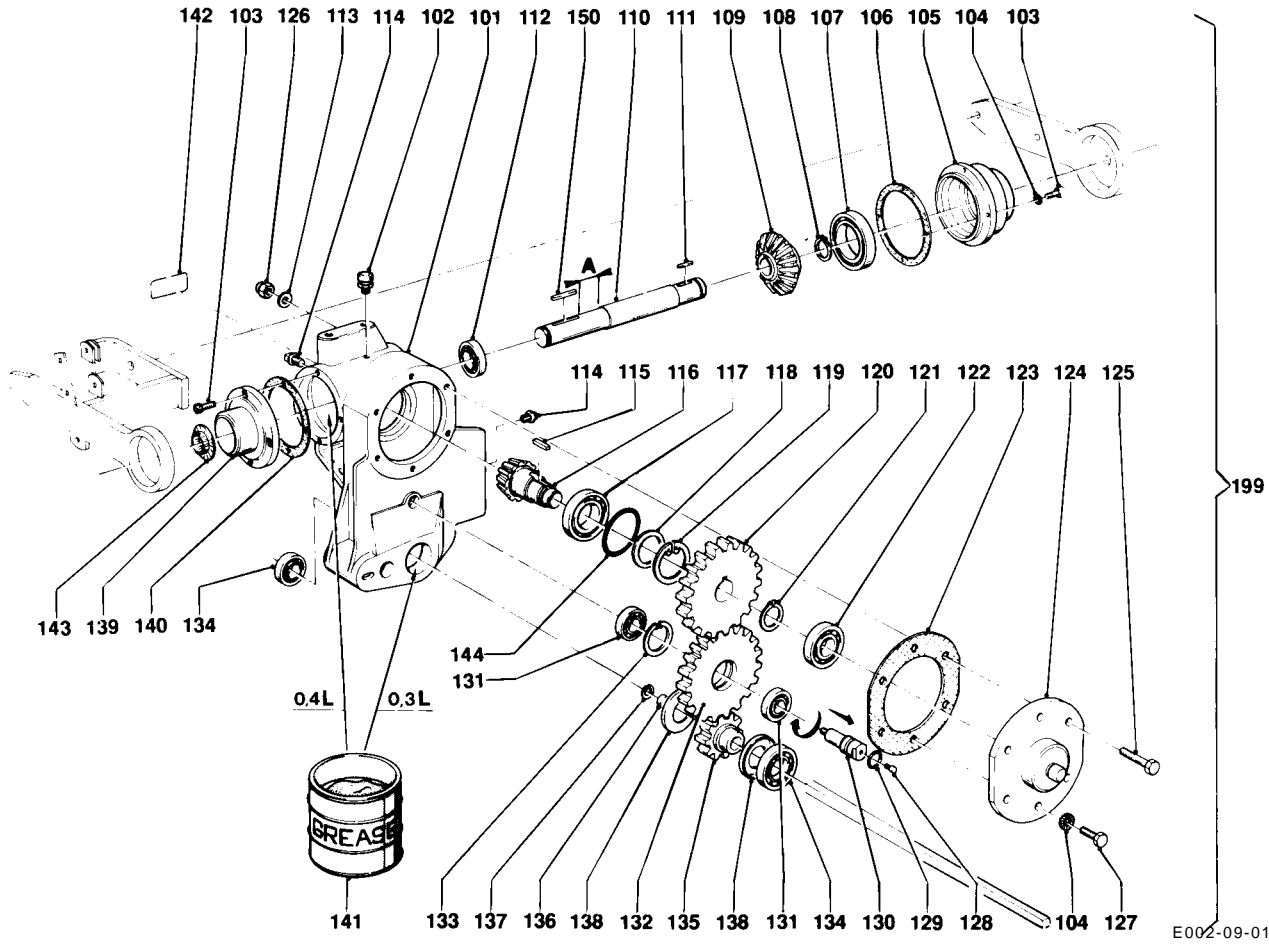
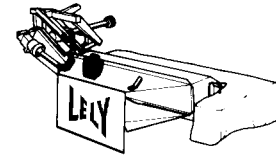
"EHL 484 XC ESSO"

A10x8x70 DIN 6885

= REF. 101-142



	type nummer type number numéro de type Typnummer	vanaf serienummer as from serial number après numéro de serie ab Seriennummer
OPTIMO 205 C	4.1208.0301.1	1002 - 0501



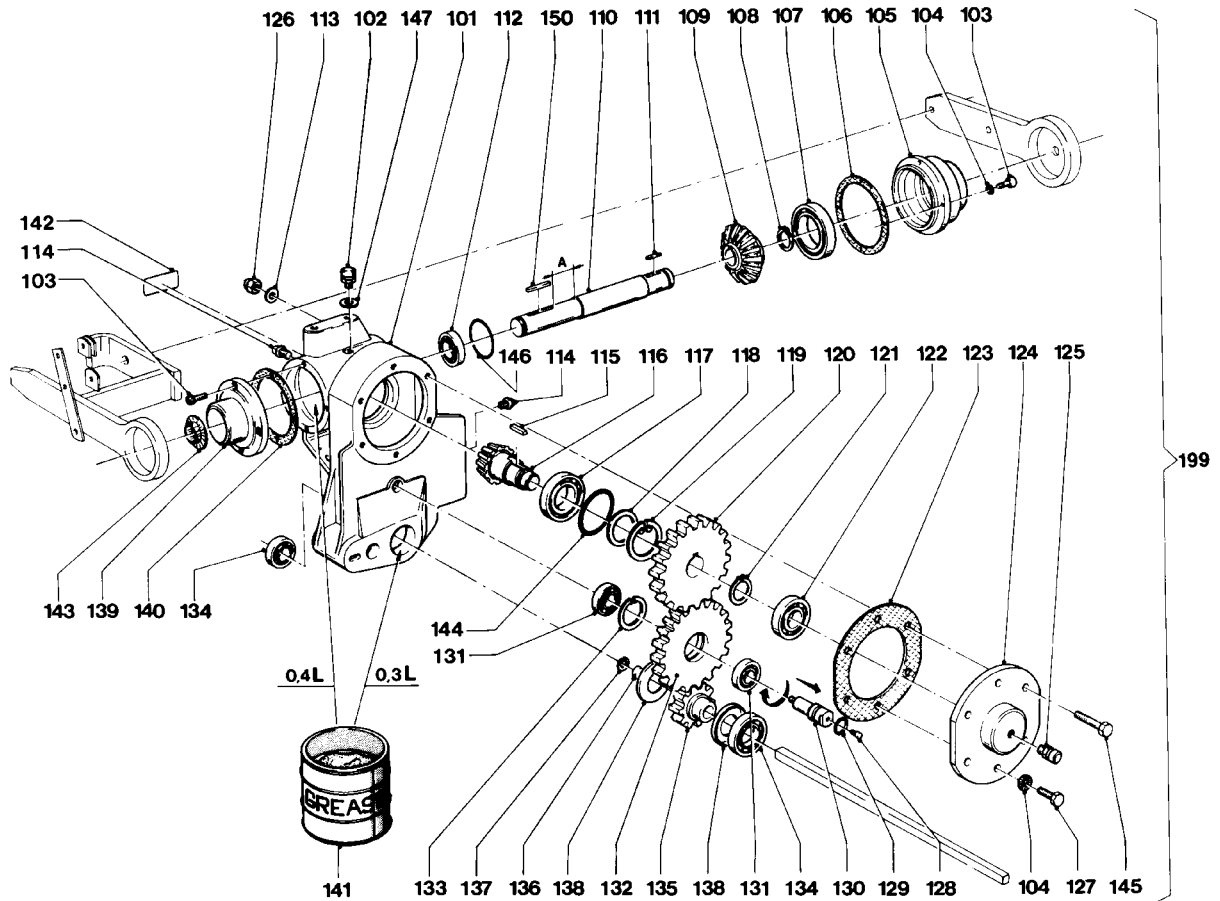
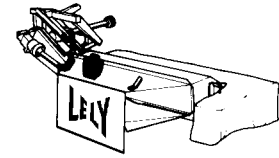
E002-09-01

REF.	ONDERDEELNR. PART NUMBER REFERENCE TEILNUMMER	AANTAL QUANTITY QUANTITE ANZAHL		
101	4.1201.0301.0	1		
102	4.1201.1472.0	1	R1/4" SLW 16	
103	9.1057.0010.2	8	M10x25 DIN 912-12.9	
104	9.1051.0002*0	7	A10,5 DIN 6798	[//////]
105	4.1201.0303.0	1		
106	4.1201.0311.0	-		[D+D]
107	9.1001.0067.3	1	16016	
108	9.1119.0019.5	1	35x2,50 DIN 471	
109	4.1201.0314.0	1		
110	4.1201.0304.0	1	A= 45,5 mm	
111	9.1071.0021.6	1	A10x8x63 DIN 6885	
112	9.1001.0087.2	1	6207 2RS-1-C3	
113	9.1048.0007*1	~	A10,5 DIN 125	[—]
114	9.1131.0001.3	2	R1/2"	
115	9.1071.0039.3	1	B12x8x25 DIN 6885	
116	4.1201.0321.0	1		
117	9.1001.0059.2	1	6210 2RS	
118	4.1201.0310.0	-		[D+D]
119	9.1120.0014.6	1	90x3,00 DIN 472	
120	4.1201.0320.0	1		
121	9.1119.0020.6	1	42x1,75 DIN 471	
122	9.1001.0019.4	1	6206	
123	4.1201.0325.0	1		
124	4.1201.0312.0	1		
125	9.1150.0008.5	1	G1/4" SLW 17	

REF.	ONDERDEELNR. PART NUMBER REFERENCE TEILNUMMER	AANTAL QUANTITY QUANTITE ANZAHL	
126	9.1030.0004*2	1	M10 DIN 985-8
127	9.1113.0027.5	3	M10x20 DIN 933-8.8
128	9.1108.0034.3	1	R1/8"
129	9.1043.0013.5	1	OR 22x1,5
130	4.1201.0306.0	1	
131	9.1001.0090.5	2	6204 C3
132	4.1201.0307.0	1	
133	9.1120.0002.1	1	42x1,75 DIN 472
134	9.1001.0119.6	2	6205 2RS-2-C5(VITON);HT-22B
135	4.1201.0317.0	1	
136	4.1201.0329.0	1	
137	9.1120.0028.6	1	18x1,00 DIN 472
138	9.1107.0009.0	2	6205 ZAV
139	4.1201.0302.0	1	
140	4.1201.0328.0	1	
141	9.1171.0039.1	(0,7L)	1 kg CALITHIA EP-T-0 SHELL
	9.1171.0040.2	(0,7L)	5 kg CALITHIA EP-T-0 SHELL
	9.1171.0041.3	(0,7L)	10 kg CALITHIA EP-T-0 SHELL
	9.1171.0031.0	(0,7L)	1 kg EHL 484 XC ESSO
142	9.1170.0303.0	1	"CALITHIA EP-T-0 SHELL"
143	9.1106.0009.1	1	Z207
144	9.1043.0048.5	1	OR 89,5x3
145	9.1113.0156*1	1	M10x85 DIN 931-10.9
150	9.1071.0033.4	1	A10x8x70 DIN 6885
199	4.1201.0280.0	1	= REF. 101-145



	type number type number numéro de type Typnummer	vanaf serienummer as from serial number après numéro de serie ab Seriennummer
OPTIMO 205 C	4.1208.0303.1	10110 - 0501



E002-11-00

REF.	ONDERDEELNR. PART NUMBER REFERENCE TEILNUMMER	AANTAL QUANTITY QUANTITE ANZAHL
------	--	--

101	4.1201.0301.0	1
102	9.1150.0013.3	1
103	9.1057.0010.2	8
104	9.1051.0002*0	7
105	4.1201.0303.0	1
106	4.1201.0311.0	(1)
107	9.1001.0067.3	1
108	9.1119.0019.5	1
109	4.1201.0314.0	1
110	4.1201.0298.0	1
111	9.1071.0021.6	1
112	9.1001.0087.2	1
113	9.1048.0007*1	-
114	9.1131.0001.3	2
115	9.1071.0039.3	1
116	4.1201.0321.0	1
117	9.1001.0059.2	1
118	4.1201.0310.0	(1)
119	9.1120.0014.6	1
120	4.1201.0320.0	1
121	9.1119.0020.6	1
122	9.1001.0019.4	1
123	4.1201.0325.0	1
124	4.1201.0312.0	1
125	9.1150.0008.5	1
126	9.1030.0004*2	1
127	9.1113.0027*5	3

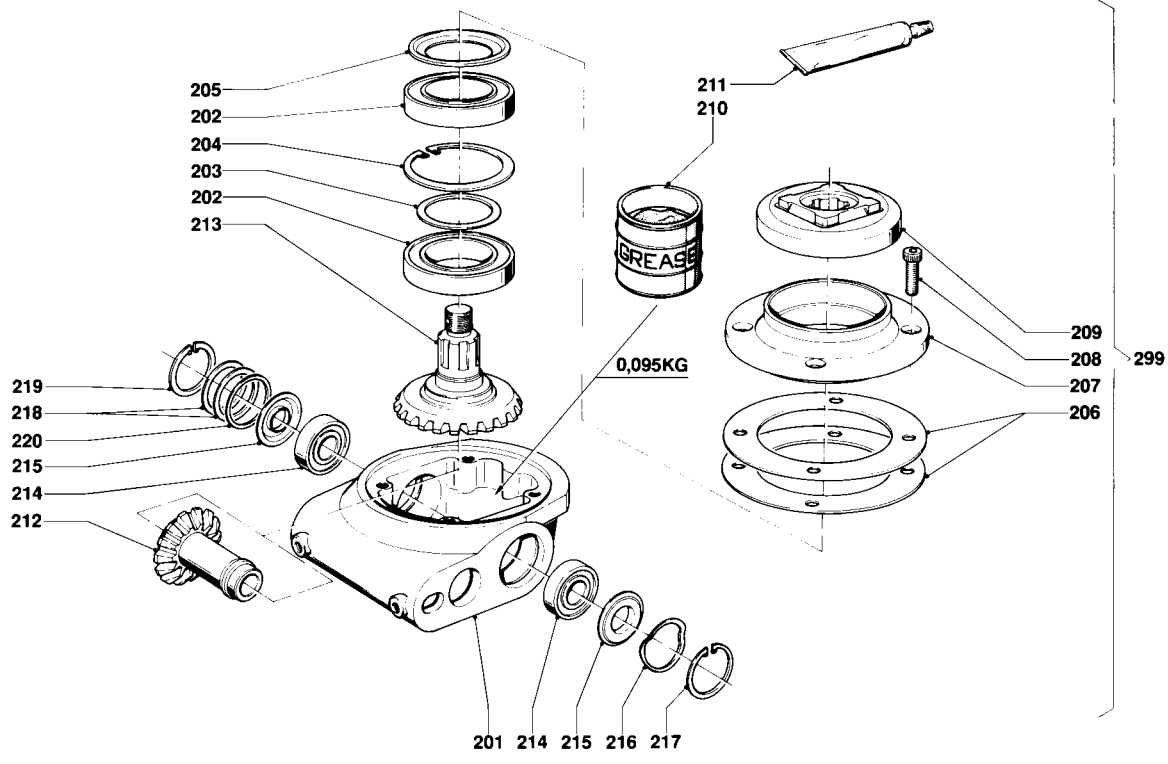
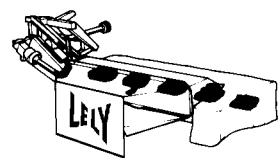
REF.	ONDERDEELNR. PART NUMBER REFERENCE TEILNUMMER	AANTAL QUANTITY QUANTITE ANZAHL
------	--	--

128	9.1108.0034.3	1
129	9.1043.0013.5	1
130	4.1201.0306.0	1
131	9.1001.0090.5	2
132	4.1201.0307.0	1
133	9.1120.0002.1	1
134	9.1001.0119.6	2
135	4.1201.0317.0	1
136	4.1201.0329.0	1
137	9.1120.0028.6	1
138	9.1107.0009.0	2
139	4.1201.0299.0	1
140	4.1201.0328.0	1
141	9.1171.0039.1	(0,7L)
	9.1171.0040.2	(0,7L)
	9.1171.0041.3	(0,7L)
142	9.1170.0303.0	1
143	9.1106.0009.1	1
144	9.1043.0048.5	1
145	9.1113.0156*1	1
146	9.1043.0050.0	1
147	9.1137.0401.5	1
150	9.1071.0033.4	1
199	4.1201.0280.0	1

R1/8"
OR 22x1,5
M12-L
6204 C3
42x1,75 DIN 472
6205 2RS-2-C5(VITON);HT-22B
18x1,00 DIN 472
6205 ZAV
1 kg CALITHIA EP-T-0 SHELL
5 kg CALITHIA EP-T-0 SHELL
10 kg CALITHIA EP-T-0 SHELL
"CALITHIA EP-T-0 SHELL"
Z207
OR 89,5x3
M10x85 DIN 931-10.9
OR 72x2
Ø14x20x1,5 Cu
A10x8x70 DIN 6885
= REF. 101-147



	type nummer type number numéro de type Typnummer	vanaf serienummer as from serial number après numéro de serie ab Seriennummer
OPTIMO 205 C	4.1208.0300.1	933 - 0501



E008-02-00

REF.	ONDERDEELNR. PART NUMBER REFERENCE TEILNUMMER	AANTAL QUANTITY QUANTITE ANZAHL
------	--	--

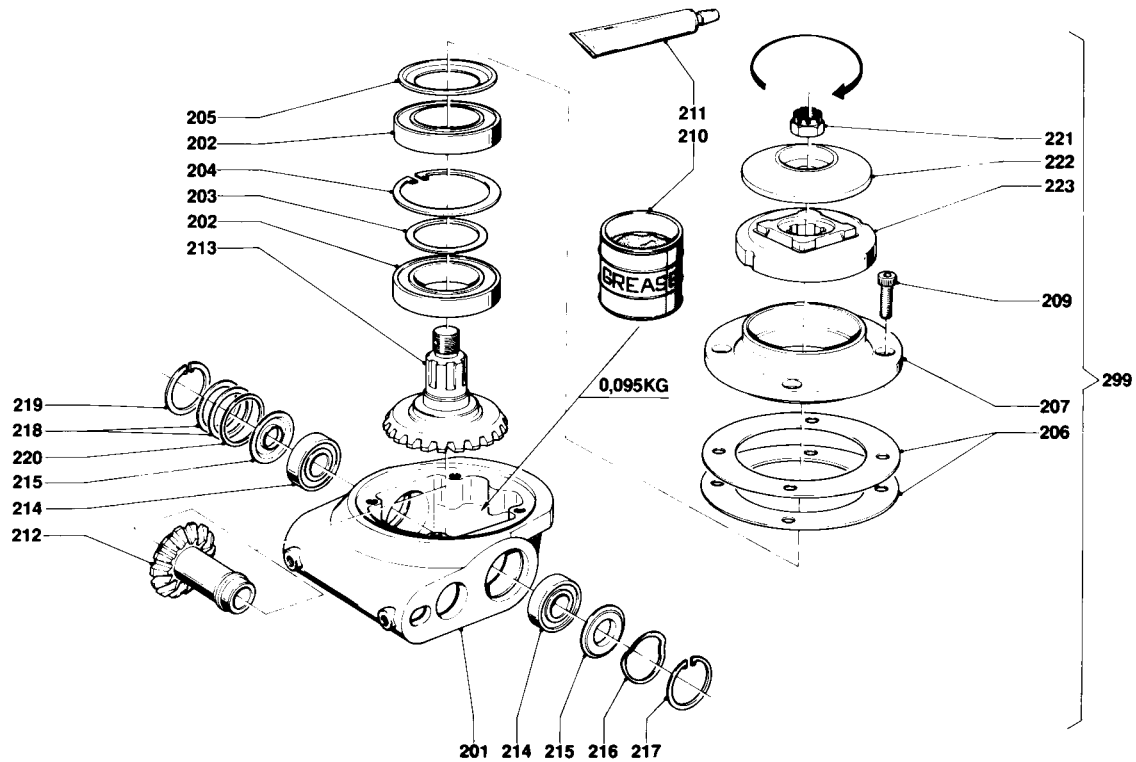
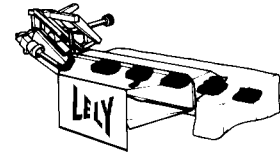
201	4.1201.0068.0	1
202	9.1001.0065.1	2
203	9.1052.0004.1	1
204	9.1120.0026.4	1
205	9.1107.0008.6	1
206	4.1290.2001.0	1
207	4.1201.0067.0	1
208	9.1057.0003.2	4
209	4.1201.0062.0	1
210	9.1171.0007.4	0,095 kg
	9.1171.0034.3	-
211	9.1171.0020.3	1
212	4.1201.0069.0	1
213	4.1201.0063.0	1
214	9.1001.0064.0	2
215	9.1107.0007.5	2
216	9.1049.0013.6	1
217	9.1120.0027.5	1
218	9.1093.0065.0	2
219	9.1120.0002.1	1
220	4.1201.0061.0	1

REF.	ONDERDEELNR. PART NUMBER REFERENCE TEILNUMMER	AANTAL QUANTITY QUANTITE ANZAHL
------	--	--

298	4.1201.0030.0	2	= REF. 201-220	[LD][x]
299	4.1201.0070.0	3	= REF. 201-220	[RD]



	type number type number numéro de type Typnummer	vanaf serienummer as from serial number après numéro de serie ab Seriennummer
OPTIMO 205 C	4.1208.0300.1	971 - 0501



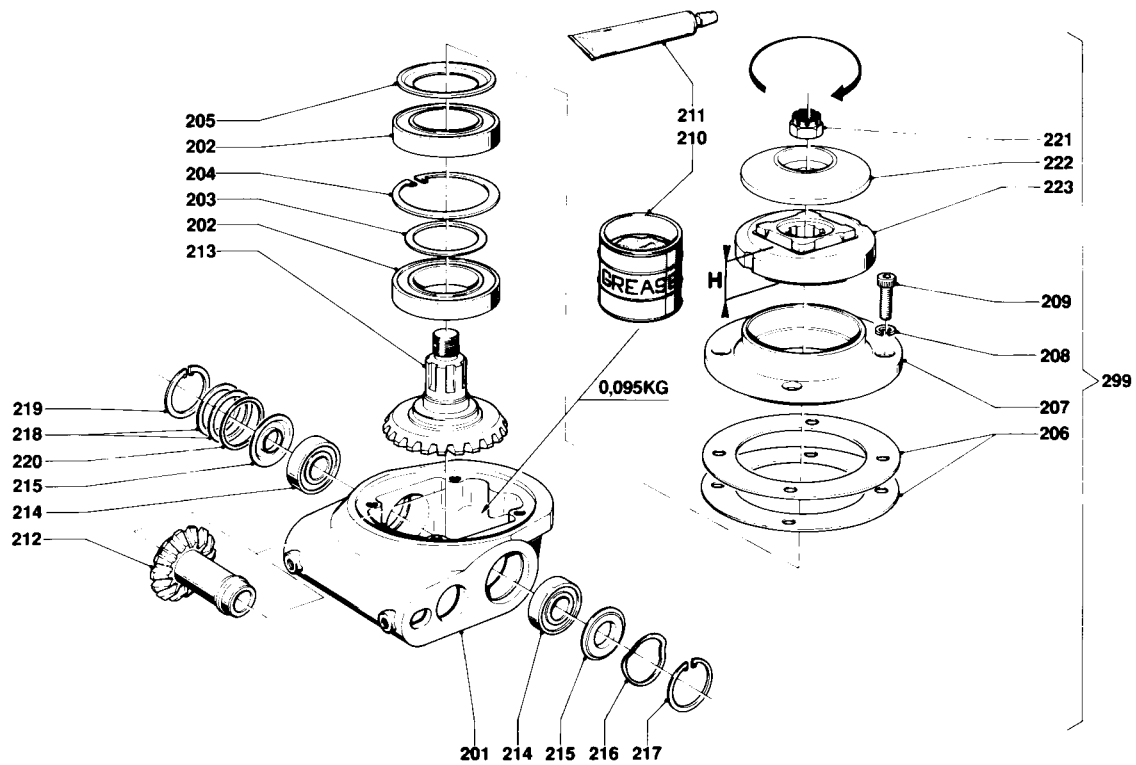
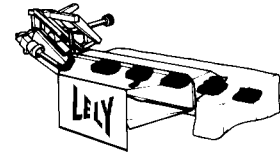
E008-04-01

REF.	ONDERDEELNR. PART NUMBER REFERENCE TEILNUMMER	AANTAL QUANTITY QUANTITE ANZAHL	
201	4.1201.0068.0	1	
202	9.1001.0065.1	2	6009-2RS-1-C4
203	9.1052.0004.1	1	S45x55 DIN 988
204	9.1120.0026.4	1	75x3,00 DIN 472
205	9.1107.0008.6	1	6009-ZAV
206	4.1290.2001.0	1	[D+D]
207	4.1201.0067.0	1	
209	9.1057.0003.2	4	M8x20 DIN 912-8.8
210	9.1171.0039.1	(0,095 kg)	1 kg CALITHIA EP-T-0 SHELL
	9.1171.0040.2	(0,095 kg)	5 kg CALITHIA EP-T-0 SHELL
	9.1171.0041.3	(0,095 kg)	10 kg CALITHIA EP-T-0 SHELL
	9.1171.0031.0	(0,095 kg)	1 kg EHL 484 XC ESSO
	9.1171.0030.6	(0,095 kg)	5 kg EHL 484 XC ESSO
	9.1171.0029.5	(0,095 kg)	10 kg EHL 484 XC ESSO
211 SHELL	9.1171.0038.0	1	0,095 kg CALITHIA EP-T-0
	9.1171.0032.1	1	0,095 kg EHL 484 XC ESSO
212	4.1201.0069.0	1	
213	4.1201.0063.0	1	
214	9.1001.0064.0	2	6005-2RS-1-C4
215	9.1107.0007.5	2	6005-ZJV
216	9.1049.0013.6	1	46,5x40-G 6005

REF.	ONDERDEELNR. PART NUMBER REFERENCE TEILNUMMER	AANTAL QUANTITY QUANTITE ANZAHL	
217	9.1120.0027.5	1	47x1,75 V
218	9.1093.0065.0	2	37x47x0,3 DIN 988
219	9.1120.0002.1	1	47x1,75 DIN 472
220	4.1201.0061.0	1	
221	9.1031.0013.3	1	M18x1,5 DIN 937-22H
222	4.1201.1467.0	1	
223	4.1201.0062.0	1	
298	4.1201.0030.0	2	= REF. 201-223 [LD][x]
299	4.1201.0070.0	3	= REF. 201-223 [RD]



	type nummer type number numéro de type Typnummer	vanaf serienummer as from serial number après numéro de serie ab Seriennummer
OPTIMO 205 C	4.1208.0301.1	982 - 0501



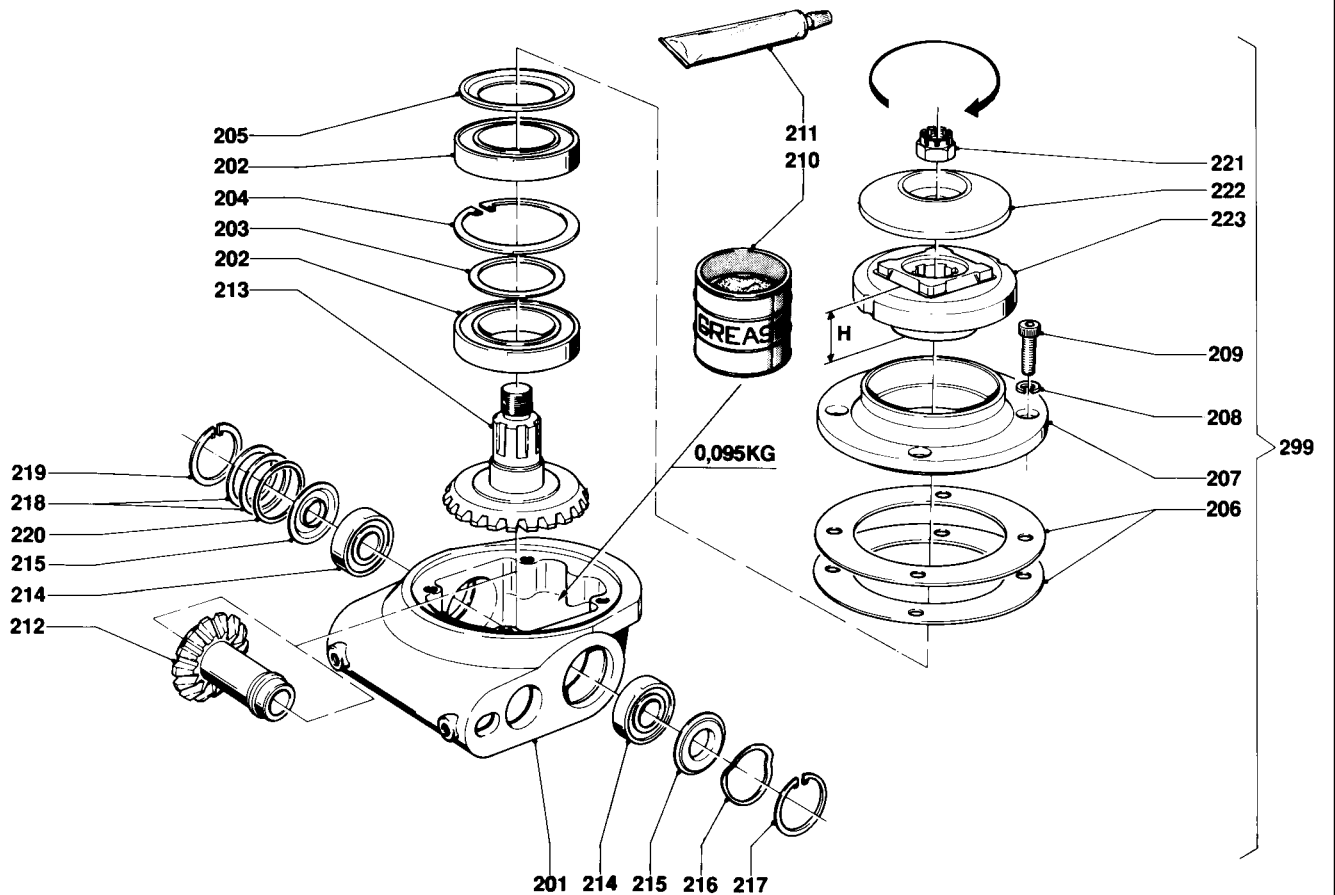
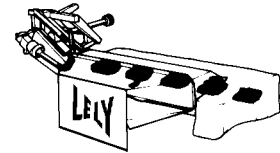
E008-04-02

REF.	ONDERDEELNR. PART NUMBER REFERENCE TEILNUMMER	AANTAL QUANTITY QUANTITE ANZAHL	
201	4.1201.0068.0	1	
202	9.1001.0065.1	2	6009 2RS-1-C4
203	9.1052.0004.1	1	S45x55 DIN 988
204	9.1120.0026.4	1	75x3,00 DIN 472
205	9.1107.0008.6	1	6009 ZAV
206	4.1290.2001.0	1	[D+D]
207	4.1201.0067.0	1	
208	9.1121.0024*1	4	8 DIN 7980 [—/—]
209	9.1057.0003.2	4	M8x20 DIN 912-8.8
210	9.1171.0039.1	(0,095 kg)	1 kg CALITHIA EP-T-0 SHELL
	9.1171.0040.2	(0,095 kg)	5 kg CALITHIA EP-T-0 SHELL
	9.1171.0041.3	(0,095 kg)	10 kg CALITHIA EP-T-0 SHELL
	9.1171.0031.0	(0,095 kg)	1 kg EHL 484 XC ESSO
	9.1171.0030.6	(0,095 kg)	5 kg EHL 484 XC ESSO
	9.1171.0029.5	(0,095 kg)	10 kg EHL 484 XC ESSO
211 SHELL	9.1171.0038.0	1	0,095 kg CALITHIA EP-T-0
	9.1171.0032.1	1	0,095 kg EHL 484 XC ESSO
212	4.1201.0069.0	1	
213	4.1201.0063.0	1	
214	9.1001.0064.0	2	6005 2RS-1-C4
215	9.1107.0007.5	2	6005 ZJV
216	9.1049.0013.6	1	46,5x40-G 6005

REF.	ONDERDEELNR. PART NUMBER REFERENCE TEILNUMMER	AANTAL QUANTITY QUANTITE ANZAHL	
217	9.1120.0027.5	1	47x1,75 V
218	9.1093.0065.0	2	37x47x0,3 DIN 988
219	9.1120.0002.1	1	47x1,75 DIN 472
220	4.1201.0061.0	1	
221	9.1031.0013.3	1	M18x1,5 DIN 937-22H
222	4.1201.1467.0	1	
223	4.1201.0062.0	1	H= 38 mm
298	4.1201.0030.0	2	= REF. 201-223 [LD][x]
299	4.1201.0070.0	3	= REF. 201-223 [RD]



	type number type number numéro de type Typnummer	vanaf serienummer as from serial number après numéro de série ab Seriennummer
OPTIMO 205 C	4.1208.0303.1	10110 - 0501



E008-05-01

REF.	ONDERDEELNR. PART NUMBER REFERENCE TEILNUMMER	AANTAL QUANTITY QUANTITE ANZAHL	
201	4.1201.0068.0	1	
202	9.1001.0065.1	2	6009 2RS-1-C4
203	9.1052.0004.1	1	S45x55 DIN 988
204	9.1120.0026.4	1	75x3,00 DIN 472
205	9.1107.0008.6	1	6009 ZAV
206	4.1290.2001.0	(1)	[D+D]
207	4.1201.0067.0	1	
208	9.1121.0024*1	4	8 DIN 7980 [—/—]
209	9.1057.0003.2	4	M8x20 DIN 912-8.8
210	9.1171.0039.1	(0,095 kg)	1 kg CALITHIA EP-T-0 SHELL
	9.1171.0040.2	(0,095 kg)	5 kg CALITHIA EP-T-0 SHELL
	9.1171.0041.3	(0,095 kg)	10 kg CALITHIA EP-T-0 SHELL
	9.1171.0031.0	(0,095 kg)	1 kg EHL 484 XC ESSO
	9.1171.0030.6	(0,095 kg)	5 kg EHL 484 XC ESSO
	9.1171.0029.5	(0,095 kg)	10 kg EHL 484 XC ESSO
211 SHELL	9.1171.0038.0	1	0,095 kg CALITHIA EP-T-0
	9.1171.0032.1	(1)	0,095 kg EHL 484 XC ESSO
212	4.1201.0069.0	1	
213	4.1220.0057.0	1	
214	9.1001.0064.0	2	6005 2RS-1-C4
215	9.1107.0007.5	2	6005 ZJV
216	9.1049.0013.6	1	46,5x40-G 6005

REF.	ONDERDEELNR. PART NUMBER REFERENCE TEILNUMMER	AANTAL QUANTITY QUANTITE ANZAHL	
217	9.1120.0027.5	1	47x1,75 V
218	9.1093.0065.0	2	37x47x0,3 DIN 988
219	9.1120.0002.1	1	47x1,75 DIN 472
220	4.1201.0061.0	1	
221	9.1031.0013.3	1	M18x1,5 DIN 937-22H
222	4.1201.1467.0	1	
223	4.1225.0189.0	1	H= 44 mm
298	4.1201.0030.0	2	= REF. 201-223 [LD][x]
299	4.1201.0070.0	3	= REF. 201-223 [RD]

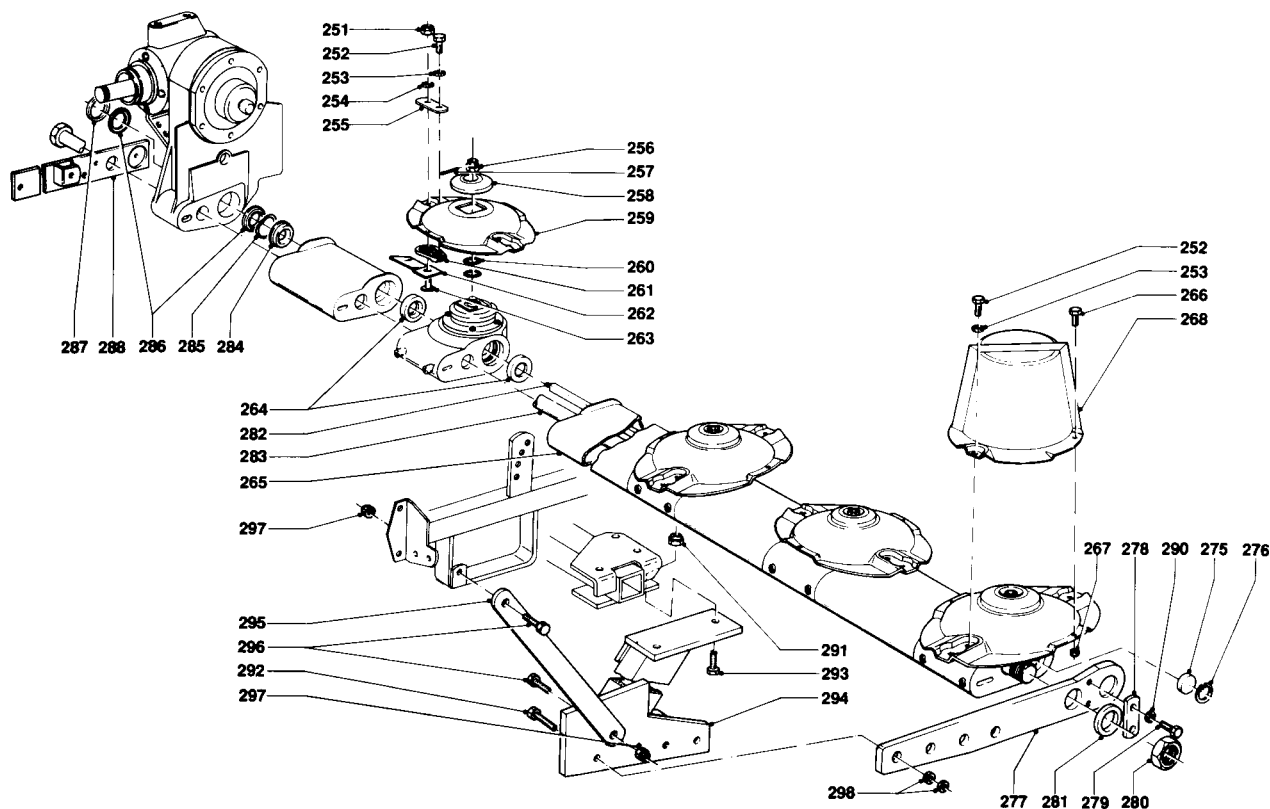
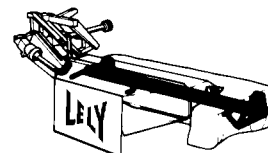
LELY

	type number type number numéro de type Typnummer	vanaf serienummer as from serial number après numéro de serie ab Seriennummer
--	---	--

OPTIMO 205 C

4.1208.0300.1

949 - 0501



E025-05-00

REF.	ONDERDEELNR. PART NUMBER REFERENCE TEILNUMMER	AANTAL QUANTITY QUANTITE ANZAHL	
------	--	--	--

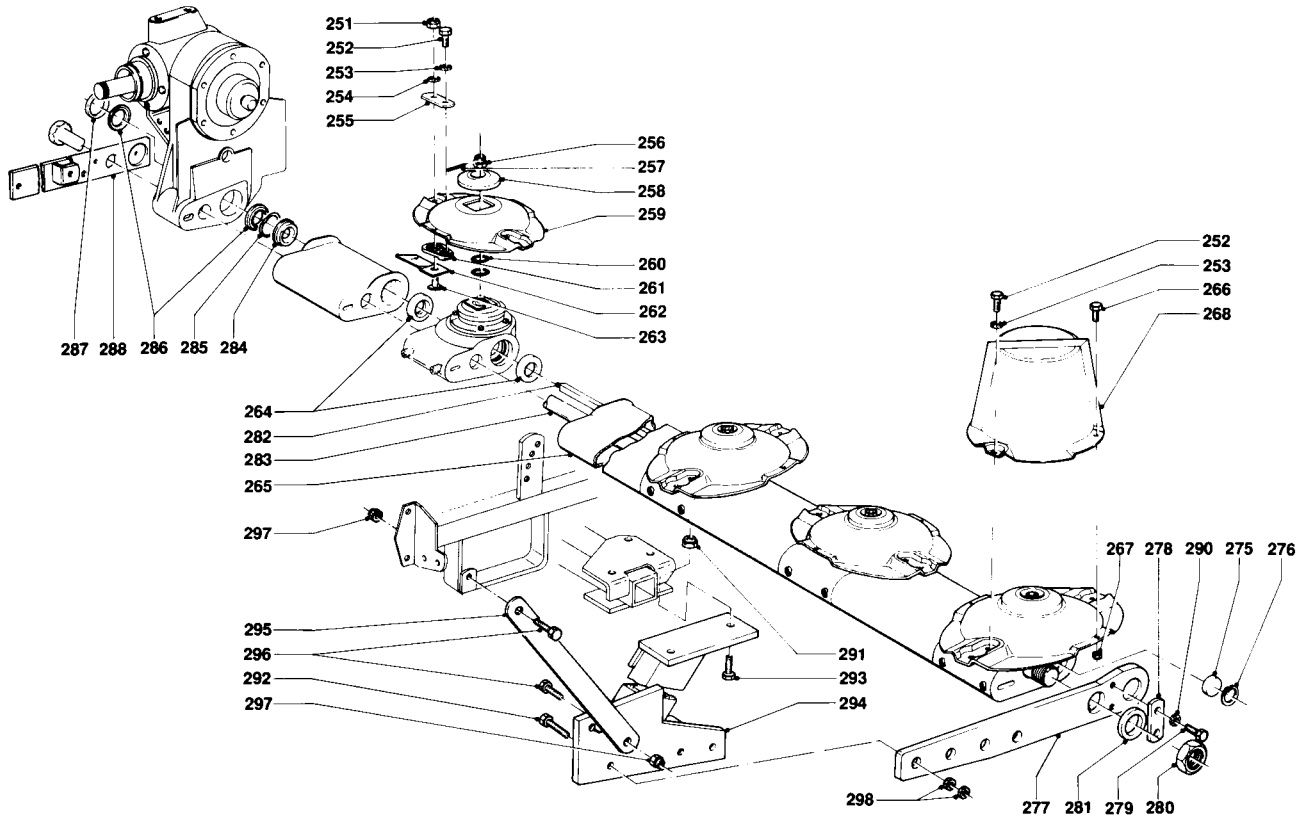
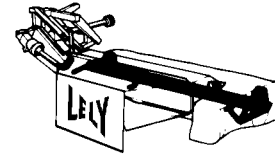
251	9.1030.0018*2	10	M10 DIN 985-10
252	9.1113.0014*6	10	M8x20 DIN 933-8.8
253	9.1051.0001*6	10	A8,4 DIN 6798 [//////]
254	9.1051.0002*0	10	A10,5 DIN 6798 [//////]
255	4.1201.1468.0	10	
256	9.1031.0010.0	5	M18x1,5 DIN 937-17H
257	9.1072.0017.1	5	3x30 DIN 94
258	4.1201.1467.0	5	
259	4.1201.1469.0	5	
260	9.1043.0020.5	10	OR 16x3
261	4.1201.0142.0	10	
262	4.1201.1474.0	6	[RD]
	4.1201.1473.0	4	[LD][x]
263	4.1201.0141*0	10	
264	4.1201.0145.0	9	
265	4.1201.0143.0	4	L= 250 mm
	4.1202.0148.0	1	L= 285 mm
266	9.1113.0013*5	4	M8x16 DIN 933-8.8
267	9.1030.0012*3	4	M8 DIN 985-8
268	4.1201.0391.0	2	

REF.	ONDERDEELNR. PART NUMBER REFERENCE TEILNUMMER	AANTAL QUANTITY QUANTITE ANZAHL	
------	--	--	--

275	4.1201.0329.0	1	
276	9.1120.0028.6	1	18x1,00 DIN 472
277	4.1207.0330.0	1	
278	4.1201.0135.0	1	
279	9.1113.0026*4	2	M10x16 DIN 933-8.8
280	9.1029.0024*2	1	M30x1,5 DIN 934-8
281	9.1052.0011.1	1	S30x42x2,5 DIN 988
282	4.1202.0149.0	1	
283	4.1202.0401.0	1	
284	4.1201.0146.0	1	
285	9.1049.0012.5	1	51x42 G-6205
286	9.1107.0006.4	2	6205 ZJV
287	4.1207.0359.0	1	
288	4.1207.0341.0	1	
290	9.1051.0002.0	2	A10,5 DIN 6798 [//////]
291	9.1030.0015*6	2	M14 DIN 985-8
292	9.1113.0246*0	4	M14x55 DIN 931-8.8
293	9.1113.0142*1	2	M14x40 DIN 933-8.8
294	4.1207.0531.0	1	
295	4.1207.0181.0	1	L= 350 mm (Ø-Ø)
296	9.1113.0125*5	2	M12x35 DIN 933-8.8
297	9.1030.0013*4	2	M12 DIN 985-8
298	9.1029.0012*4	8	M14 DIN 934-8



	type nummer type number numéro de type Typnummer	vanaf serienummer as from serial number après numéro de série ab Seriennummer
OPTIMO 205 C	4.1208.0301.1	982 - 0501



E025-06-00

REF.	ONDERDEELNR. PART NUMBER REFERENCE TEILNUMMER	AANTAL QUANTITY QUANTITE ANZAHL	
------	--	--	--

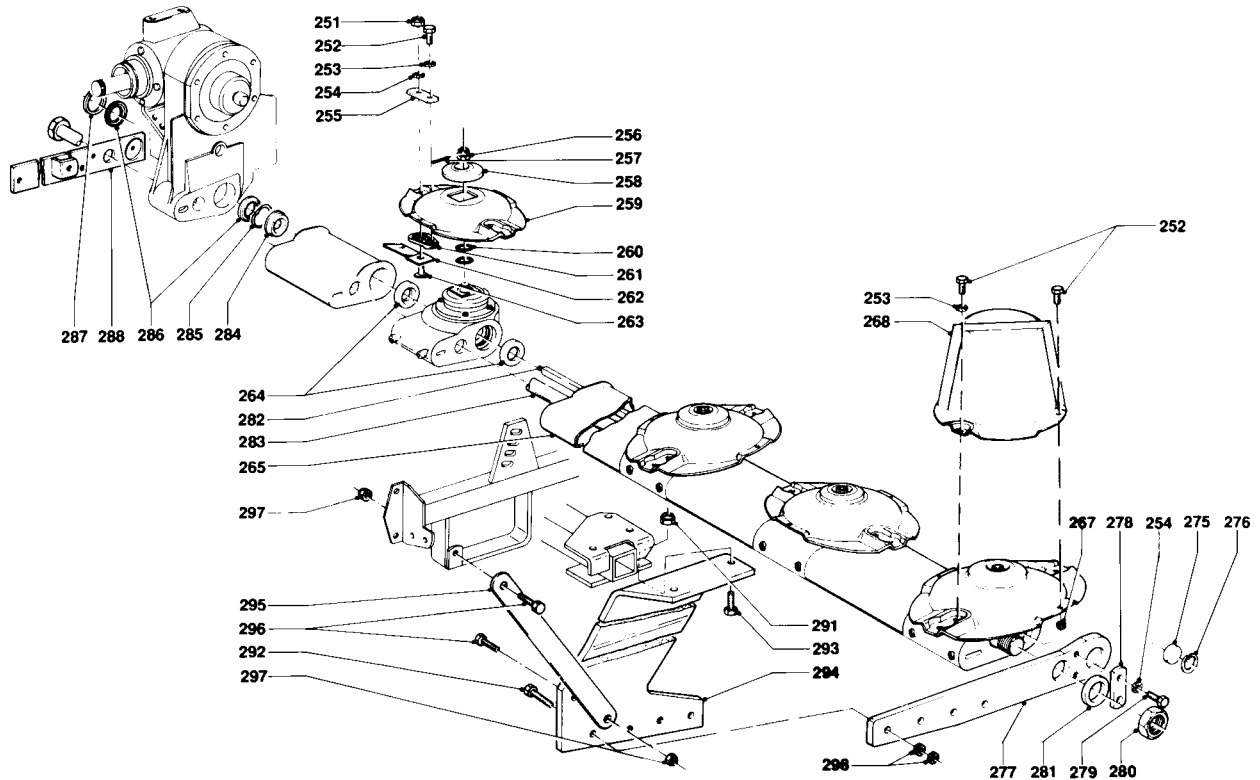
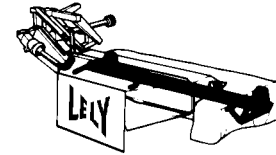
251	9.1030.0018*2	10	M10 DIN 985-10
252	9.1113.0014*6	10	M8x20 DIN 933-8.8
253	9.1051.0001*6	10	A8,4 DIN 6798 [//////]
254	9.1051.0002*0	10	A10,5 DIN 6798 [//////]
255	4.1201.1468.0	10	
256	9.1031.0013.3	(5)	(= 221) M18x1,5 DIN 937-22H
257	9.1072.0017.1	5	3x30 DIN 94
258	4.1201.1467.0	(5)	(= 222)
259	4.1201.1469.0	5	
260	9.1043.0020.5	10	OR 16x3
261	4.1201.0142.0	10	
262	4.1201.1474.0	6	[RD]
	4.1201.1473.0	4	[LD][x]
263	4.1201.0141*0	10	
264	4.1201.0145.0	9	
265	4.1201.0143.0	4	L= 250 mm
	4.1202.0148.0	1	L= 285 mm
266	9.1113.0013*5	4	M8x16 DIN 933-8.8
267	9.1030.0012*3	4	M8 DIN 985-8
268	4.1201.0391.0	2	

REF.	ONDERDEELNR. PART NUMBER REFERENCE TEILNUMMER	AANTAL QUANTITY QUANTITE ANZAHL	
------	--	--	--

275	4.1201.0329.0	1	
276	9.1120.0028.6	1	18x1,00 DIN 472
277	4.1207.0330.0	1	
278	4.1201.0135.0	1	
279	9.1113.0026*4	2	M10x16 DIN 933-8.8
280	9.1029.0024*2	1	M30x1,5 DIN 934-8
281	9.1052.0011.1	1	S30x42x2,5 DIN 988
282	4.1202.0149.0	1	
283	4.1202.0401.0	1	
284	4.1201.0146.0	1	
285	9.1049.0012.5	1	51x42 G-6205
286	9.1107.0006.4	2	6205 ZJV
287	4.1207.0359.0	1	
288	4.1207.0341.0	1	
290	9.1051.0002.0	2	A10,5 DIN 6798 [//////]
291	9.1030.0015*6	2	M14 DIN 985-8
292	9.1113.0246*0	4	M14x55 DIN 931-8.8
293	9.1113.0142*1	2	M14x40 DIN 933-8.8
294	4.1217.0240.0	1	
295	4.1207.0176.0	1	L= 340 mm (Ø-Ø)
296	9.1113.0125*5	2	M12x35 DIN 933-8.8
297	9.1030.0013*4	2	M12 DIN 985-8
298	9.1029.0012*4	8	M14 DIN 934-8

LELY

	type number type number numéro de type Typnummer	vanaf serienummer as from serial number après numéro de série ab Seriennummer
OPTIMO 205 C	4.1208.0301.1	998 - 0551
OPTIMO 205 C	4.1208.0303.1	10110 - 0501



E025-08-00

REF.	ONDERDEELNR. PART NUMBER REFERENCE TEILNUMMER	AANTAL QUANTITY QUANTITE ANZAHL		
------	--	--	--	--

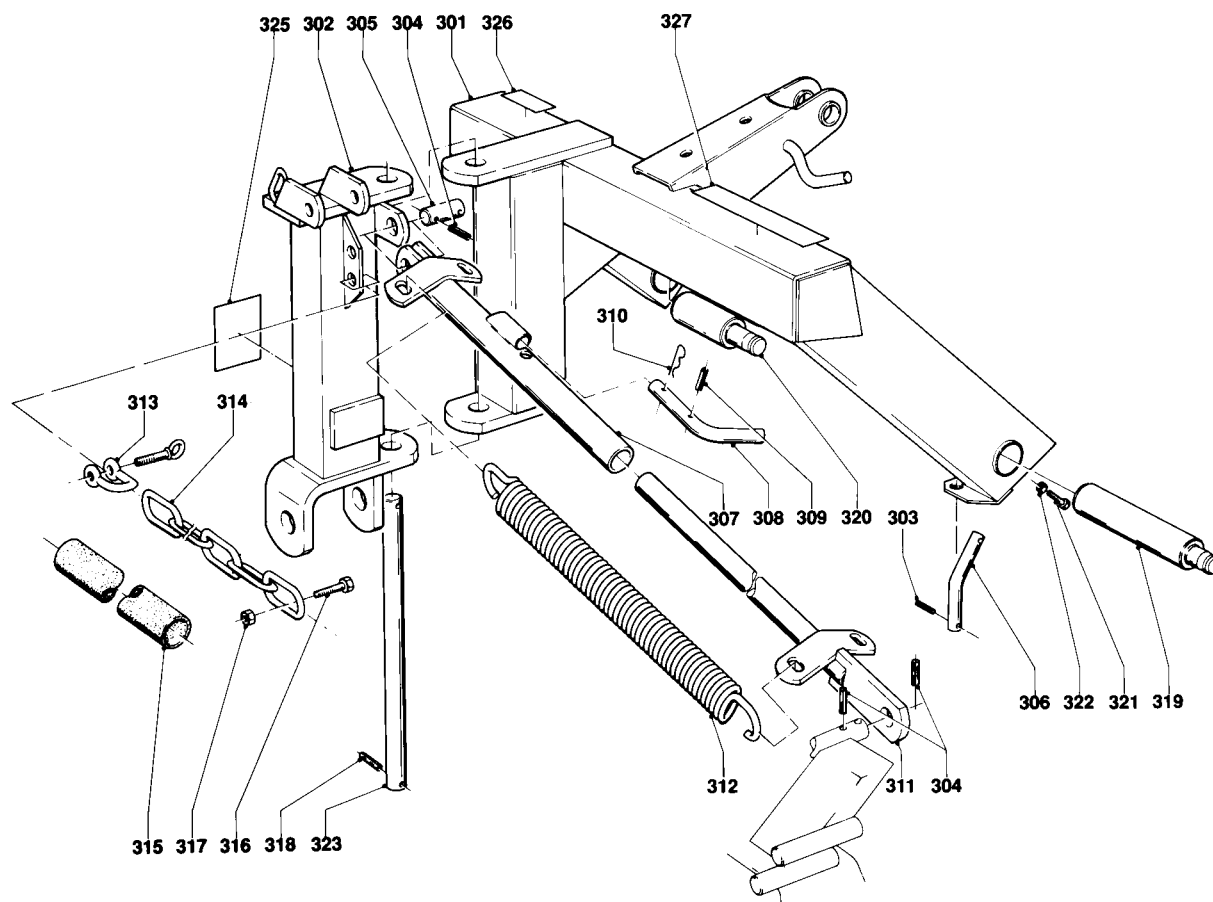
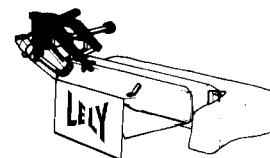
251	9.1030.0018*2	10	M10 DIN 985-10	
252	9.1113.0014*6	14	M8x20 DIN 933-8.8	
253	9.1051.0001*6	10	A8,2 DIN 6798	[////]
254	9.1051.0002*0	12	A10,5 DIN 6798	[////]
255	4.1201.1468.0	10		
256	9.1031.0013.3	(5)	(= REF. 221)	M18x1,5
257	9.1072.0017.1	5	3x30 DIN 94	
258	4.1201.1467.0	(5)	(= REF. 222)	
259	4.1201.1469.0	5		
260	9.1043.0020.5	10	OR 16x3	
261	4.1201.0142.0	10		
262	4.1201.1474.0	6	[RD]	L= 120 mm
	4.1201.1473.0	4	[LD][x]	L= 120 mm
263	4.1201.0141*0	10		
264	4.1201.0145.0	9		
265	4.1201.0143.0	4	L= 250 mm	
	4.1202.0148.0	1	L= 285 mm	
267	9.1030.0012*3	4	M8 DIN 985-8	
268	4.1201.0391.0	2		

REF.	ONDERDEELNR. PART NUMBER REFERENCE TEILNUMMER	AANTAL QUANTITY QUANTITE ANZAHL		
------	--	--	--	--

275	4.1201.0329.0	1		
276	9.1120.0028.6	1	18x1,00 DIN 472	
277	4.1207.0330.0	1		
278	4.1201.0135.0	1		
279	9.1113.0027*5	2	M10x20 DIN 933-8.8	
280	9.1029.0024*2	1	M30x1,5 DIN 934-8	
281	9.1052.0011.1	1	S30x42x2,5 DIN 988	
282	4.1202.0149.0	1		
283	4.1202.0401.0	1		
284	4.1201.0146.0	1		
285	9.1049.0012.5	1	51x42 G-6205	
286	9.1107.0006.4	2	6205 ZJV	
287	4.1207.0359.0	1		
288	4.1207.0341.0	1		
291	9.1030.0015*6	2	M14 DIN 985-8	
292	9.1113.0246*0	4	M14x55 DIN 931-8.8	
293	9.1113.0142*1	2	M14x40 DIN 933-8.8	
294	4.1217.0241.0	1		
295	4.1207.0176.0	1	L= 340 mm (Ø-Ø)	
296	9.1113.0125*5	2	M12x35 DIN 933-8.8	
297	9.1030.0013*4	2	M12 DIN 985-8	
298	9.1029.0012*4	8	M14 DIN 934-8	

LELY

	type number type number numéro de type Typnummer	vanaf serienummer as from serial number après numéro de serie ab Seriennummer
OPTIMO 205 C	4.1208.0300.1	960 - 0501



E026-05-00

REF.	ONDERDEELNR. PART NUMBER REFERENCE TEILNUMMER	AANTAL QUANTITY QUANTITE ANZAHL
------	--	--

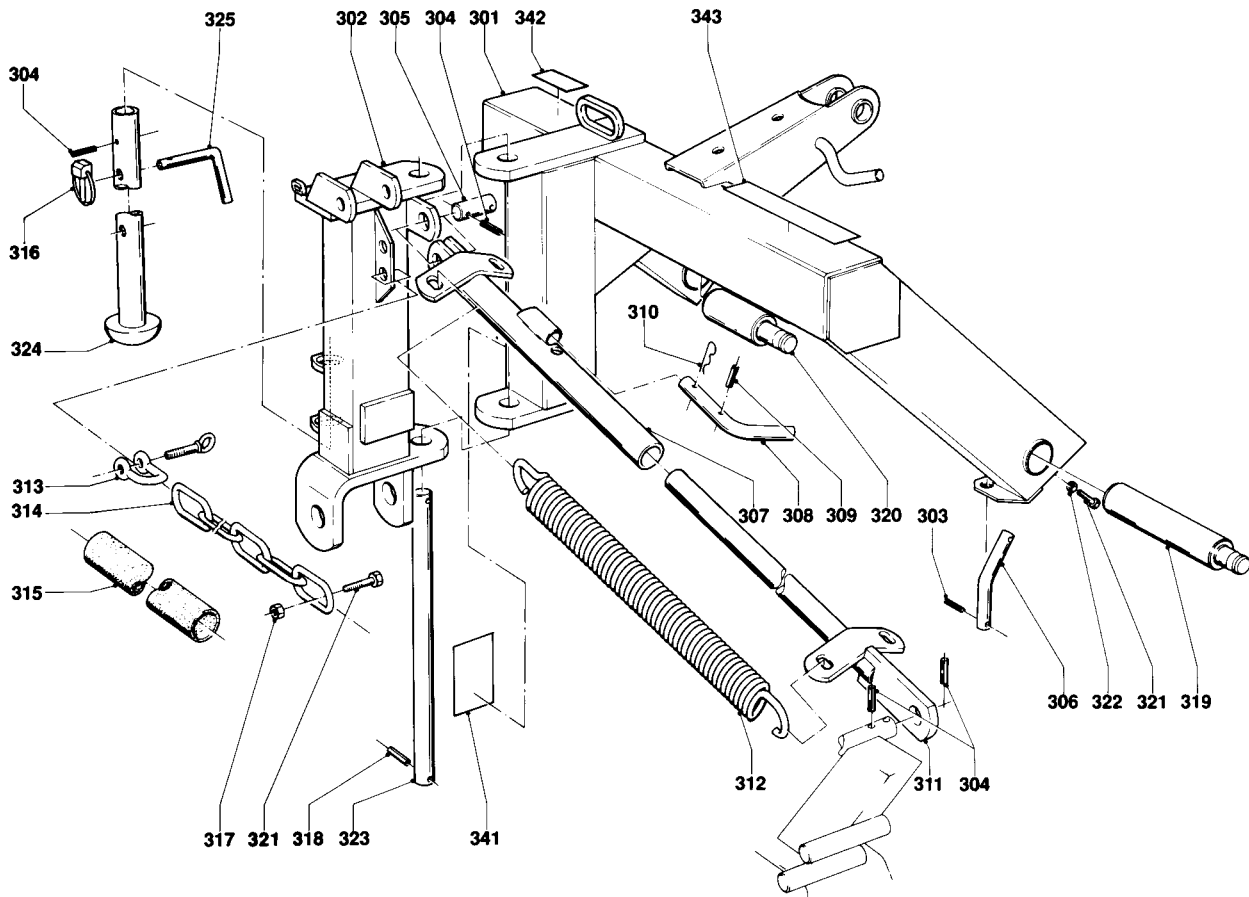
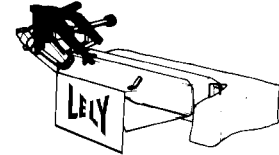
301	4.1208.0341.0	1
302	4.1207.0461.0	1
303	9.1070.0028*0	2
304	9.1070.0023*2	4
305	4.1207.0612.0	1
306	4.1208.1497.0	1
307	4.1207.0560.0	1
308	4.1002.0083.0	1
309	9.1070.0017*3	1
310	9.1124.0002*4	1
311	4.1207.0550.0	1
312	4.1207.0616.0	2
313	9.1146.0006.0	1
314	9.1144.0034.2	1
315	4.1207.0615.0	1
316	9.1113.0117*4	1
317	9.1030.0004*2	1
318	9.1070.0038*3	2
319	4.1208.1498.0	1
320	4.1208.1499.0	1
321	9.1113.0118*5	2
322	9.1029.0008*0	2
323	4.1207.0611.0	1

REF.	ONDERDEELNR. PART NUMBER REFERENCE TEILNUMMER	AANTAL QUANTITY QUANTITE ANZAHL
------	--	--

325	9.1170.0190.6	1	"Maaihoogte 20" 50 cm" "Mowing height 20" 50 cm" "Hautr. de fauchage 50 cm" "Mähhöhe 20" 50 cm"
326	9.1170.0125.4	1	"MAX. 540 omw/min"
327	9.1170.0091.5	1	"ATTENTIE PTO INSCHAKELLEN BIJ STATIONAIR TOERENTAL"



	type number type number numéro de type Typnummer	vanaf serienummer as from serial number après numéro de serie ab Seriennummer
OPTIMO 205 C	4.1208.0301.1	982 - 0501



E026-06-01

REF.	ONDERDEELNR. PART NUMBER REFERENCE TEILNUMMER	AANTAL QUANTITY QUANTITE ANZAHL
------	--	--

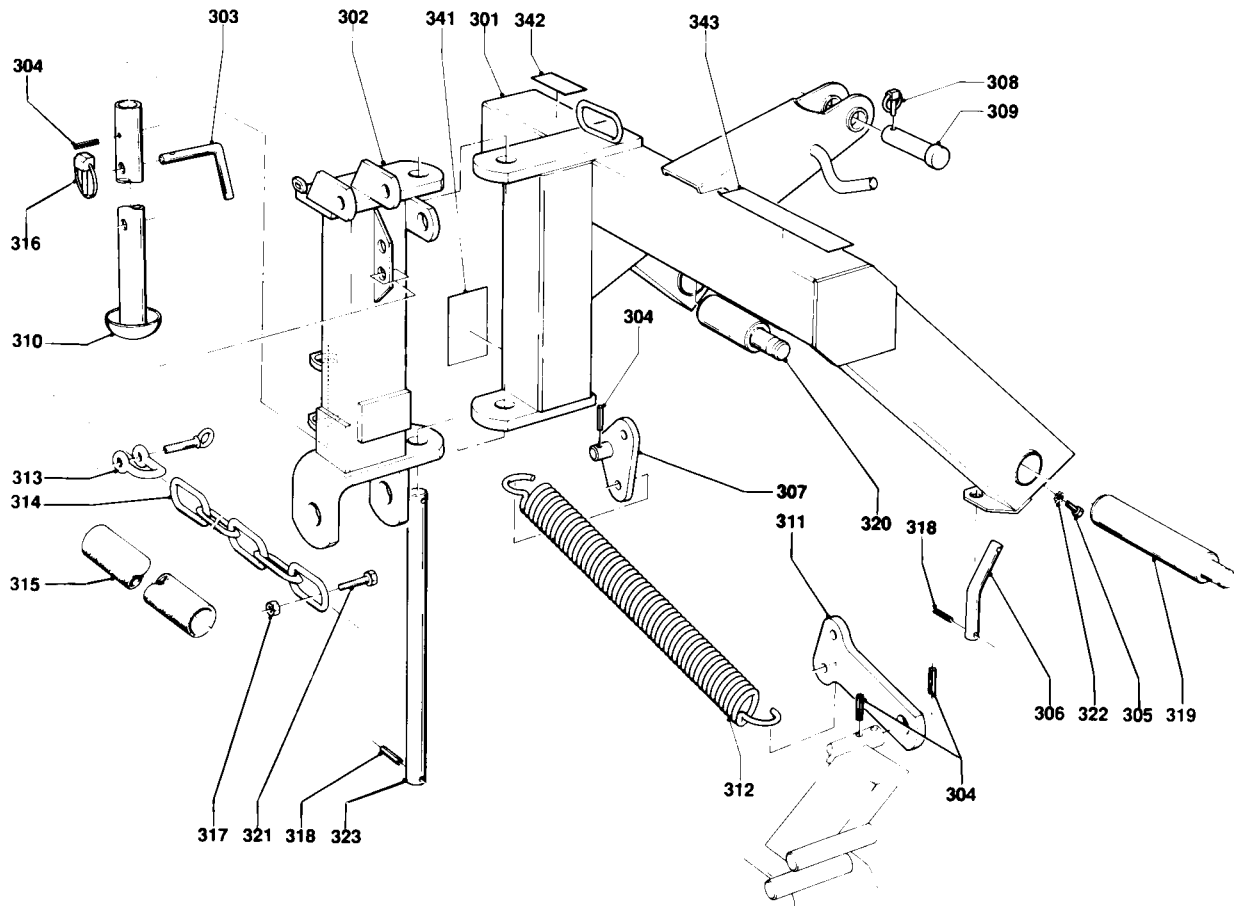
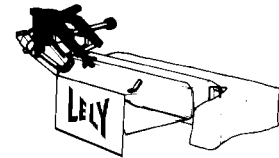
301	4.1208.0341.0	1
302	4.1207.0462.0	1
303	9.1070.0028*0	2
304	9.1070.0023*2	5
305	4.1207.0612.0	1
306	4.1208.1497.0	1
307	4.1207.0560.0	1
308	4.1002.0083.0	1
309	9.1070.0018*4	1
310	9.1124.0002*4	1
311	4.1207.0550.0	1
312	4.1207.0616.0	2
313	9.1146.0006.0	1
314	4.1207.0609.0	1
315	4.1207.0615.0	1
316	9.1123.0003*6	1
317	9.1030.0013*4	1
318	9.1070.0028*0	2
319	4.1208.1498.0	1
320	4.1208.1499.0	1
321	9.1113.0118*5	3
322	9.1029.0008*0	2
323	4.1207.0611.0	1
324	4.1207.0250.0	1
325	4.1003.0142.0	1

REF.	ONDERDEELNR. PART NUMBER REFERENCE TEILNUMMER	AANTAL QUANTITY QUANTITE ANZAHL
------	--	--

341	9.1170.0281.6	1	"Maaihoogte 22" 55 cm" "Mowing height 22" 55 cm" "Hautr. de fauchage 55 cm" "Mähhöhe 22" 55 cm"
342	9.1170.0125.4	1	"MAX. 540 omw/min"
343	9.1170.0091.5	1	"ATTENTIE PTO INSCHAKELEN BIJ STATIONAIR TOERENTAL"



	type nummer type number numéro de type Typnummer	vanaf serienummer as from serial number après numéro de serie ab Seriennummer
OPTIMO 205 C	4.1208.0301.1	998 - 0551



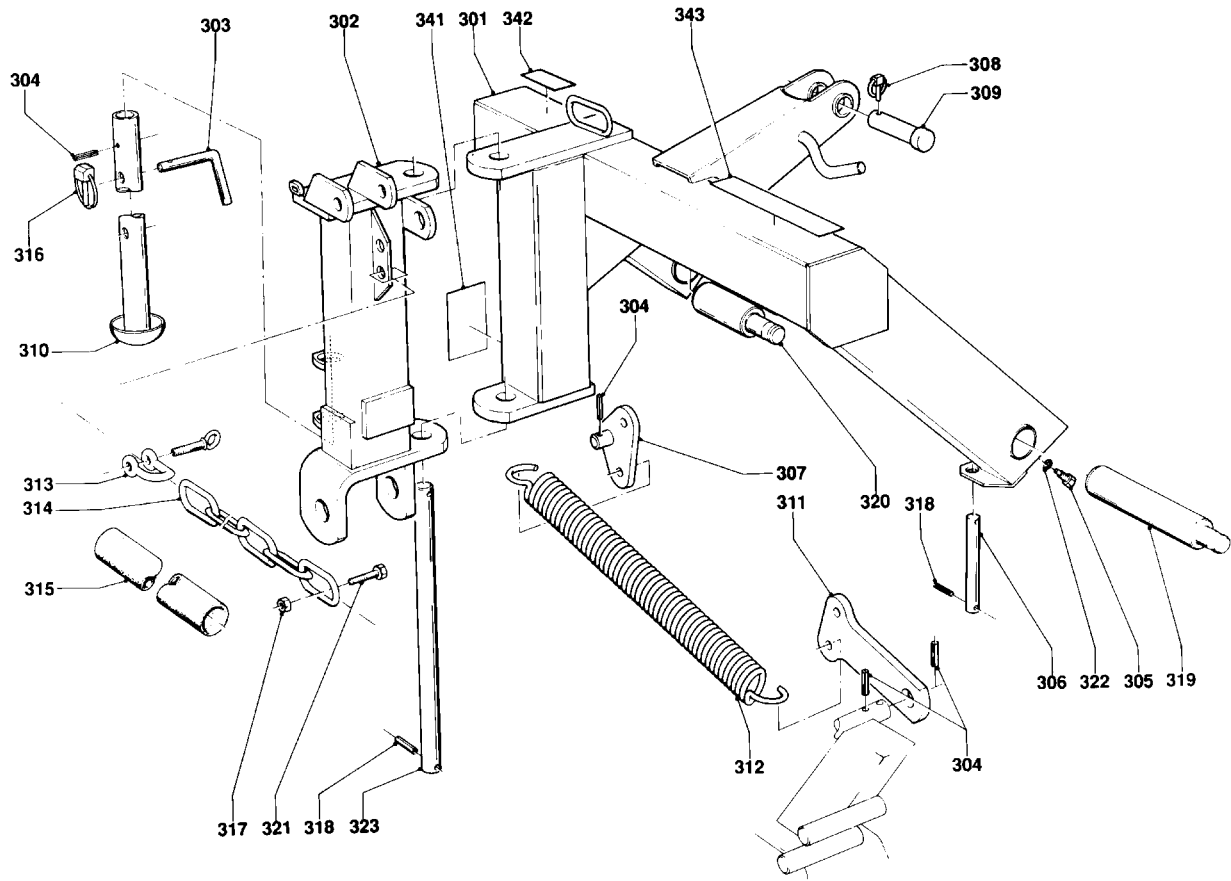
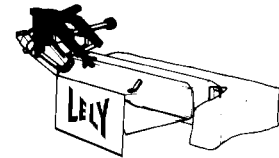
E026-08-00

REF.	ONDERDEELNR. PART NUMBER REFERENCE TEILNUMMER	AANTAL QUANTITY QUANTITE ANZAHL	
301	4.1208.0341.0	1	
302	4.1207.0462.0	1	
303	4.1003.0142.0	1	
304	9.1070.0023*2	4	Ø8x50 DIN 1481
305	9.1113.0047*4	2	M12x20 DIN 933-8.8
306	4.1208.1497.0	1	
307	4.1207.0630.0	1	
308	9.1123.0002*5	1	Ø11
309	9.1088.0005*1	1	25-95
310	4.1207.0250.0	1	
311	4.1207.0606.0	1	
312	4.1207.0616.0	2	
313	9.1146.0006.0	1	
314	4.1207.0609.0	1	16x(8x52)
315	4.1207.0615.0	1	
316	9.1123.0003*6	1	Ø6
317	9.1030.0013*4	1	M12 DIN 985-8
318	9.1070.0028*0	4	Ø10x60 DIN 1481
319	4.1208.1498.0	1	
320	4.1208.1499.0	1	
321	9.1113.0118*5	1	M12x40 DIN 933-8.8
322	9.1051.0003*1	2	A12,5 DIN 6798 [//////]
323	4.1207.0611.0	1	

REF.	ONDERDEELNR. PART NUMBER REFERENCE TEILNUMMER	AANTAL QUANTITY QUANTITE ANZAHL	
341	9.1170.0281.6	1	"Maaihoogte 22" 55 cm" "Mowing height 22" 55 cm" "Hautr. de fauchage 55 cm" "Mähhöhe 22" 55 cm"
342	9.1170.0125.4	1	"MAX. 540/min"
343	9.1170.0091.5	1	"ATTENTIE; PTO INSCHAKELEN BIJ STATIONAIR TOERENTAL"

LELY

	type number type number numéro de type Typnummer	vanaf serienummer as from serial number après numéro de serie ab Seriennummer
OPTIMO 205 C	4.1208.0303.1	10110 - 0501



E026-09-00

REF.	ONDERDEELNR. PART NUMBER REFERENCE TEILNUMMER	AANTAL QUANTITY QUANTITE ANZAHL	
------	--	--	--

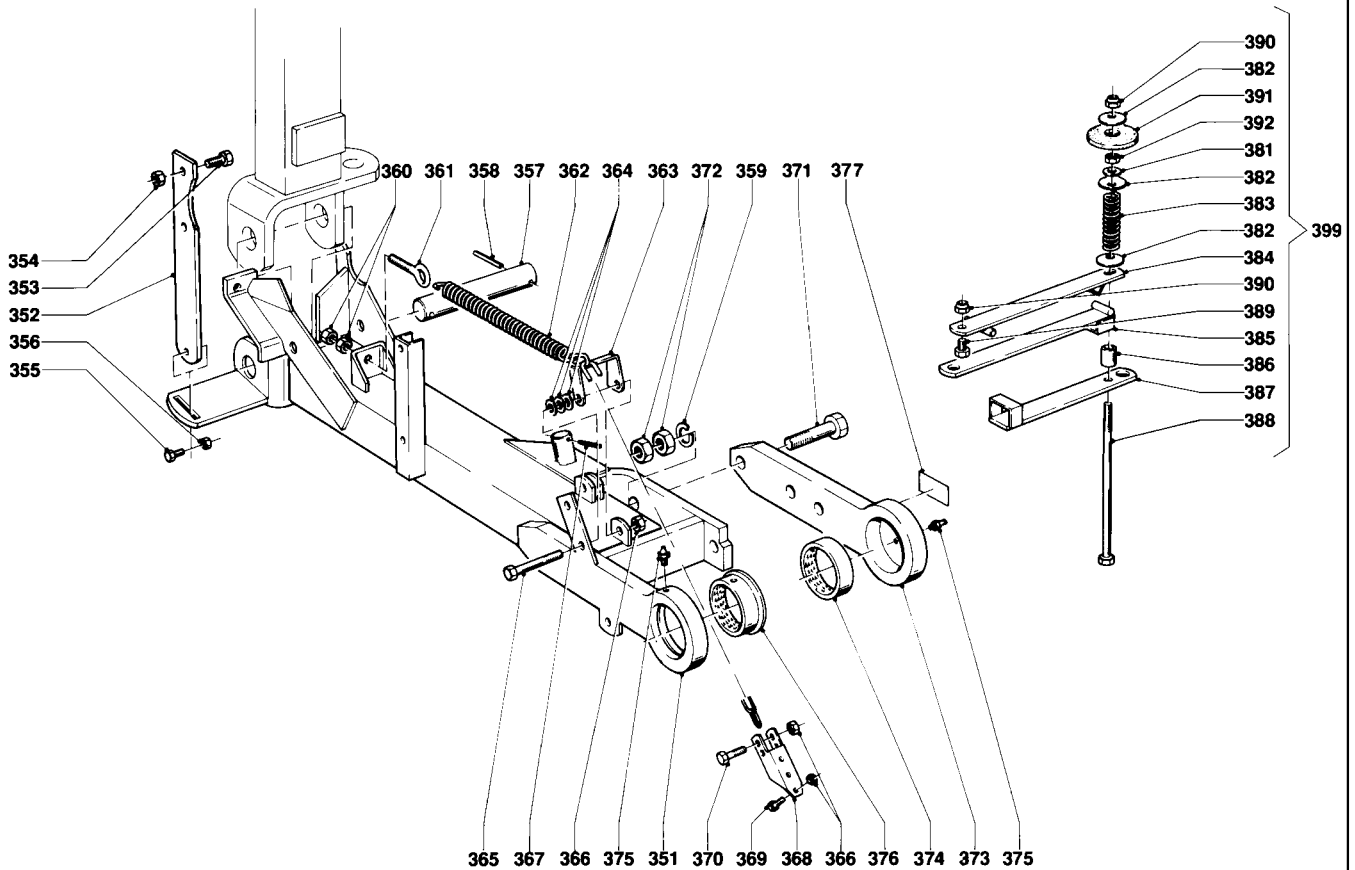
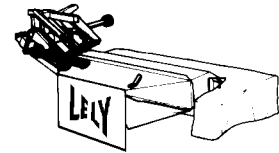
301	4.1208.0342.0	1	
302	4.1207.0462.0	1	
303	4.1003.0142.0	1	
304	9.1070.0023.2	4	Ø8x50 DIN 1481
305	4.1208.0347.0	2	M16
306	4.1208.1496.0	1	
307	4.1207.0630.0	1	
308	9.1123.0002*5	1	Ø11
309	9.1088.0005*1	1	25-95
310	4.1207.0250.0	1	
311	4.1207.0606.0	1	
312	4.1207.0616.0	2	
313	9.1146.0006.0	1	
314	4.1207.0609.0	1	16x(8x52)
315	4.1207.0615.0	1	
316	9.1123.0003*6	1	Ø6
317	9.1030.0013*4	1	M12 DIN 985-8
318	9.1070.0028.0	4	Ø10x60 DIN 1481
319	4.1208.1498.0	1	
320	4.1208.1499.0	1	
321	9.1113.0118*5	1	M12x40 DIN 933-8.8
322	9.1051.0004*2	2	A16,5 DIN 6798 [//////]
323	4.1207.0611.0	1	

REF.	ONDERDEELNR. PART NUMBER REFERENCE TEILNUMMER	AANTAL QUANTITY QUANTITE ANZAHL	
------	--	--	--

341	9.1170.0281.6	1	"Maaihoogte 22" 55 cm" "Mowing height 22" 55 cm" "Hautr. de fauchage 55 cm" "Mähhöhe 22" 55 cm"
342	9.1170.0125.4	1	"MAX. 540/min"
343	9.1170.0091.5	1	"ATTENTIE; PTO INSCHAKELEN BIJ STATIONAIR TOERENTAL"



	type nummer type number numéro de type Typnummer	vanaf serienummer as from serial number après numéro de serie ab Seriennummer
OPTIMO 205 C	4.1208.0300.1	960 - 0501



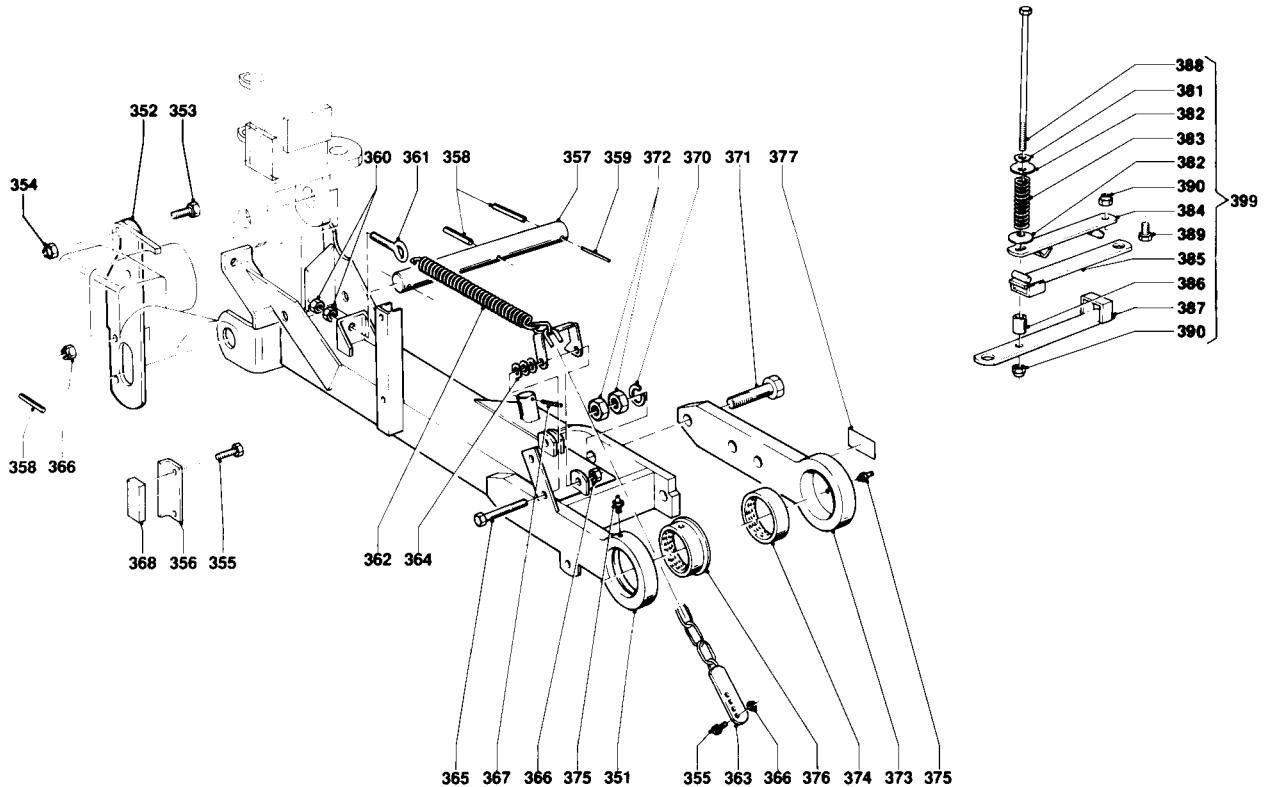
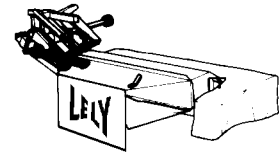
E011-04-00

REF.	ONDERDEELNR. PART NUMBER REFERENCE TEILNUMMER	AANTAL QUANTITY QUANTITE ANZAHL	
351	4.1207.0482.0	1	
352	4.1207.1499.0	1	
353	9.1113.0118*5	2	M12x40 DIN 933-8.8
354	9.1030.0013*4	2	M12 DIN 985-8
355	9.1113.0014*6	1	M8x20 DIN 933-8.8
356	9.1030.0012*3	1	M8 DIN 985-8
357	4.1207.0610.0	1	
358	9.1070.0038*3	2	Ø10x75 DIN 1481
359	9.1121.0014*5	3	A20 DIN 127 [/]
360	9.1029.0008*0	2	M12 DIN 934-8
361	9.1114.0003.1	1	
362	4.1201.1481.0	1	
363	4.1201.0550.0	1	
364	9.1048.0007*1	4	A10,5 DIN 125 [—]
365	9.1113.0043*0	1	M10x110 DIN 931-8.8
366	9.1030.0004*2	4	M10 DIN 985-8
367	9.1070.0028*0	1	Ø10x60 DIN 1481
368	4.1201.1464.0	1	
369	9.1113.0029*0	2	M10x25 DIN 933-8.8
370	9.1113.0035*6	1	M10x50 DIN 931-8.8
371	9.1113.0094*2	3	M20x90 DIN 931-8.8
372	9.1029.0016*1	6	M20 DIN 934-8
373	4.1207.0580.0	1	
374	4.1201.1482.0	1	
375	9.1068.0007*2	2	AM8x1,25 DIN 71412
376	4.1207.0620.0	1	
377	9.1170.0205.0	2	"SMEERPUNT"

REF.	ONDERDEELNR. PART NUMBER REFERENCE TEILNUMMER	AANTAL QUANTITY QUANTITE ANZAHL	
381	9.1048.0053*5	2	A15 DIN 125 [—]
382	9.1091.0008*1	3	40x14,3x1,5 DIN 2093
383	4.1203.0219.0	1	
384	4.1201.0220.0	1	
385	4.1201.0230.0	1	
386	4.1201.0259.0	1	
387	4.1201.0240.0	1	
388	9.1113.0161*6	1	M14x260 DIN 931-8.8
389	9.1113.0119*6	1	M14x30 DIN 933-8.8
390	9.1030.0015*6	2	
391	4.1201.0219.0	1	
392	9.1029.0012*4	1	M14 DIN 934-8
399	4.1203.0210.0	1	= REF. 381-392



	type nummer type number numéro de type Typnummer	vanaf serienummer as from serial number après numéro de serie ab Seriennummer
OPTIMO 205 C	4.1208.0301.1	982 - 0501



E011-08-00

REF.	ONDERDEELNR. PART NUMBER REFERENCE TEILNUMMER	AANTAL QUANTITY QUANTITE ANZAHL
------	--	--

351	4.1210.0570.0	1
352	4.1207.1496.0	1
353	9.1113.0125*5	2
354	9.1030.0013*4	2
355	9.1113.0117*4	4
356	4.1207.1495.0	1
357	4.1207.0608.0	1
358	9.1070.0038*3	3
359	9.1070.0062*6	1
360	9.1029.0008*0	2
361	1.1633.1495.0	1
362	4.1201.1481.0	1
363	4.1201.0551.0	1
364	9.1048.0007*1	4
365	9.1113.0043*0	1
366	9.1030.0004*2	5
367	9.1070.0028*0	1
368	4.1207.1494.0	1
370	9.1121.0014*5	3
371	9.1113.0094*2	3
372	9.1029.0016*1	6
373	4.1207.0580.0	1
374	4.1201.1482.0	1
375	9.1068.0007*2	2
376	4.1207.0620.0	1
377	9.1170.0205.0	2

REF.	ONDERDEELNR. PART NUMBER REFERENCE TEILNUMMER	AANTAL QUANTITY QUANTITE ANZAHL
------	--	--

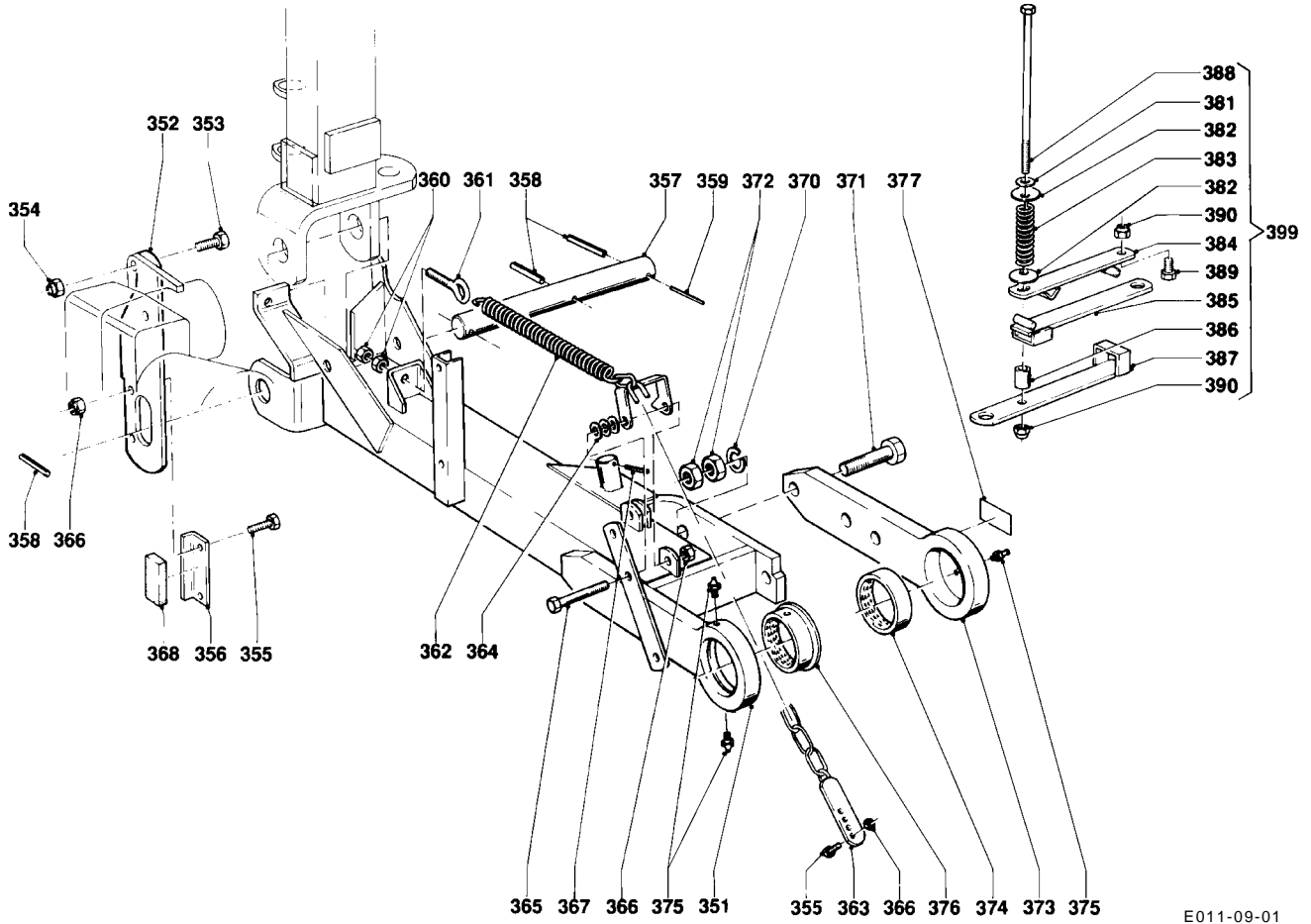
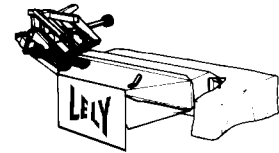
381	9.1048.0053*5	1
382	9.1091.0008*1	2
383	4.1203.0219.0	1
384	4.1201.0221.0	1
385	4.1201.0231.0	1
386	4.1201.0259.0	1
387	4.1201.0241.0	1
388	9.1113.0161*6	1
389	9.1113.0119*6	1
390	9.1030.0015*6	2
399	4.1203.0210.0	1

A15 DIN 125 [—]
40x14,3x1,5 DIN 2093
M12x35 DIN 933-8.8
M12 DIN 985-8
M10x35 DIN 933-8.8
L= 364 mm
Ø10x75 DIN 1481
Ø6x75 DIN 1481
M12 DIN 934-8
M10 DIN 985-8
Ø10x60 DIN 1481
A20 DIN 127 [—]
M20x90 DIN 931-8.8
M20 DIN 934-8
AM8x1,25 DIN 71412
"SMEERPUNT"

= REF. 381-390

LELY

	type nummer type number numéro de type Typnummer	vanaf serienummer as from serial number après numéro de serie ab Seriennummer
OPTIMO 205 C	4.1208.0303.1	10110 - 0501



E011-09-01

REF.	ONDERDEELNR. PART NUMBER REFERENCE TEILNUMMER	AANTAL QUANTITY QUANTITE ANZAHL
------	--	--

351	4.1225.0241.0	1
352	4.1207.1496.0	1
353	9.1113.0125*5	2
354	9.1030.0013*4	2
355	9.1113.0117*4	4
356	4.1207.1495.0	1
357	4.1207.0605.0	1
358	9.1070.0038*3	3
359	9.1070.0062*6	1
360	9.1029.0008*0	2
361	1.1633.1495.0	1
362	4.1201.1481.0	1
363	4.1201.0551.0	1
364	9.1048.0007*1	4
365	9.1113.0043*0	1
366	9.1030.0004*2	5
367	9.1070.0028*0	1
368	4.1207.1494.0	1
370	9.1121.0014*5	3
371	9.1113.0094*2	3
372	9.1029.0016*1	6
373	4.1207.0580.0	1
374	4.1201.1482.0	1
375	9.1068.0007*2	3
376	4.1207.0620.0	1
377	9.1170.0205.0	2

REF.	ONDERDEELNR. PART NUMBER REFERENCE TEILNUMMER	AANTAL QUANTITY QUANTITE ANZAHL
------	--	--

381	9.1048.0053*5	1
382	9.1091.0008*1	2
383	4.1203.0219.0	1
384	4.1201.0221.0	1
385	4.1201.0231.0	1
386	4.1201.0259.0	1
387	4.1201.0241.0	1
388	9.1113.0161*6	1
389	9.1113.0119*6	1
390	9.1030.0015*6	2
399	4.1203.0210.0	1

A15 DIN 125 [—]
40x14,3x1,5 DIN 2093
M12x35 DIN 933-8.8
M12 DIN 985-8
M10x35 DIN 933-8.8
L= 378 mm
Ø10x75 DIN 1481
Ø6x75 DIN 1481
M12 DIN 934-8
A20 DIN 127 [—]
M20x90 DIN 931-8.8
M20 DIN 934-8
AM8x1,25 DIN 71412

= REF. 381-390

"Smeerpunt" / "Greasing point"

LELY

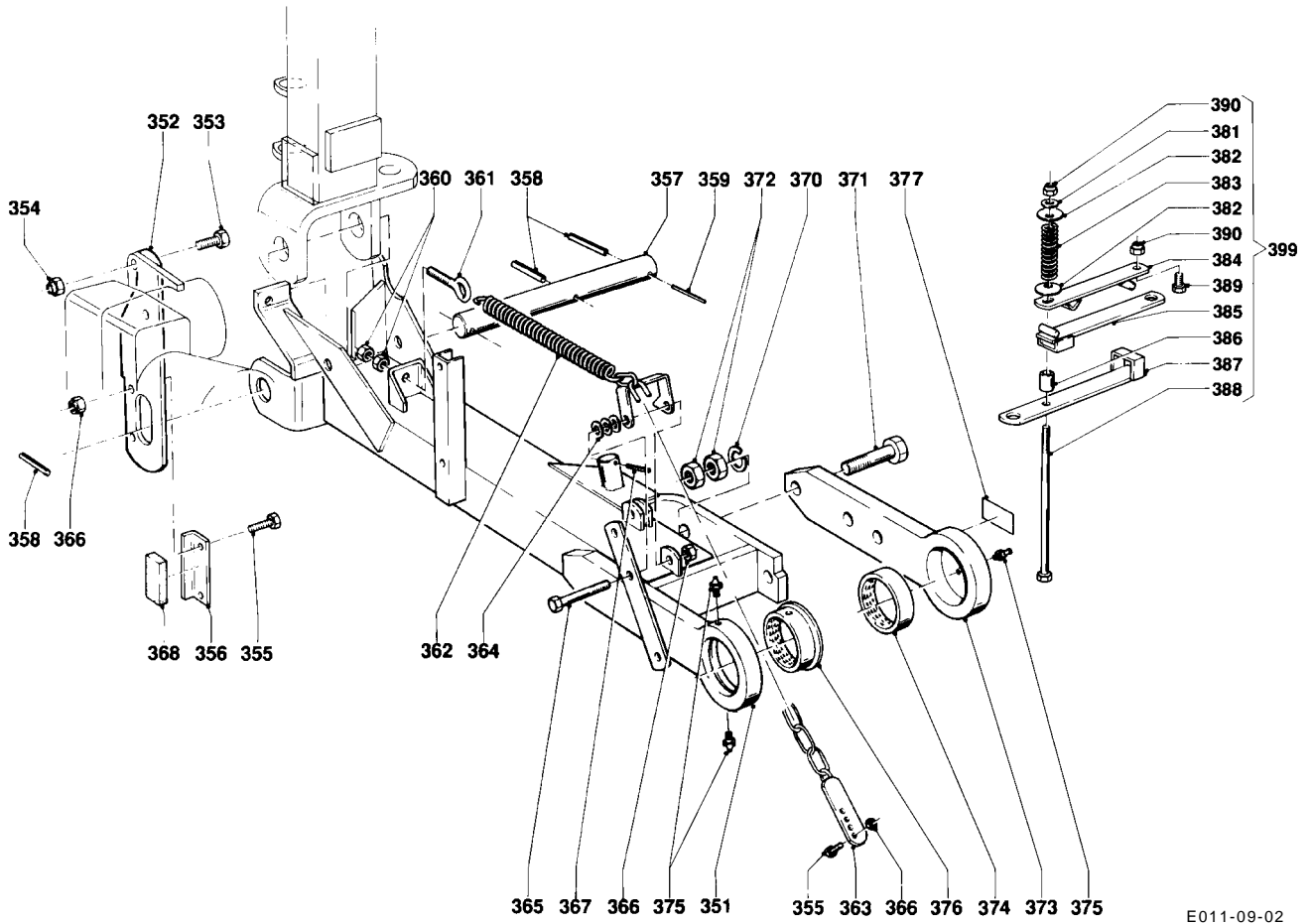
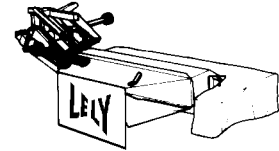
OPTIMO 205 C

type number
type number
numéro de type
Typnummer

4.1208.0303.1

vanaf serienummer
as from serial number
après numéro de serie
ab Seriennummer

10303 - 0651



E011-09-02

REF.	ONDERDEELNR. PART NUMBER REFERENCE TEILNUMMER	AANTAL QUANTITY QUANTITE ANZAHL
------	--	--

351	4.1225.0241.0	1
352	4.1207.1496.0	1
353	9.1113.0125*5	2
354	9.1030.0013*4	2
355	9.1113.0117*4	4
356	4.1207.1495.0	1
357	4.1207.0605.0	1
358	9.1070.0038.3	3
359	9.1070.0062.6	1
360	9.1029.0008*0	2
361	1.1633.1495.0	1
362	4.1201.1481.0	1
363	4.1201.0551.0	1
364	9.1048.0007*1	4
365	9.1113.0044*1	1
366	9.1030.0004*2	5
367	9.1070.0028.0	1
368	4.1207.1494.0	1
370	9.1121.0014*5	3
371	9.1113.0094*2	3
372	9.1029.0016*1	6
373	4.1207.0580.0	1
374	4.1201.1482.0	1
375	9.1068.0007*2	3
376	4.1207.0620.0	1
377	9.1170.0205.0	2

REF.	ONDERDEELNR. PART NUMBER REFERENCE TEILNUMMER	AANTAL QUANTITY QUANTITE ANZAHL
------	--	--

381	9.1048.0053*5	1
382	9.1091.0008*1	2
383	4.1203.0219.0	1
384	4.1219.0111.0	1
385	4.1219.0121.0	1
386	4.1219.0098.0	1
387	4.1219.0130.0	1
388	9.1113.0161*6	1
389	9.1113.0178*2	1
390	9.1030.0015*6	2
399	4.1229.0190.0	1

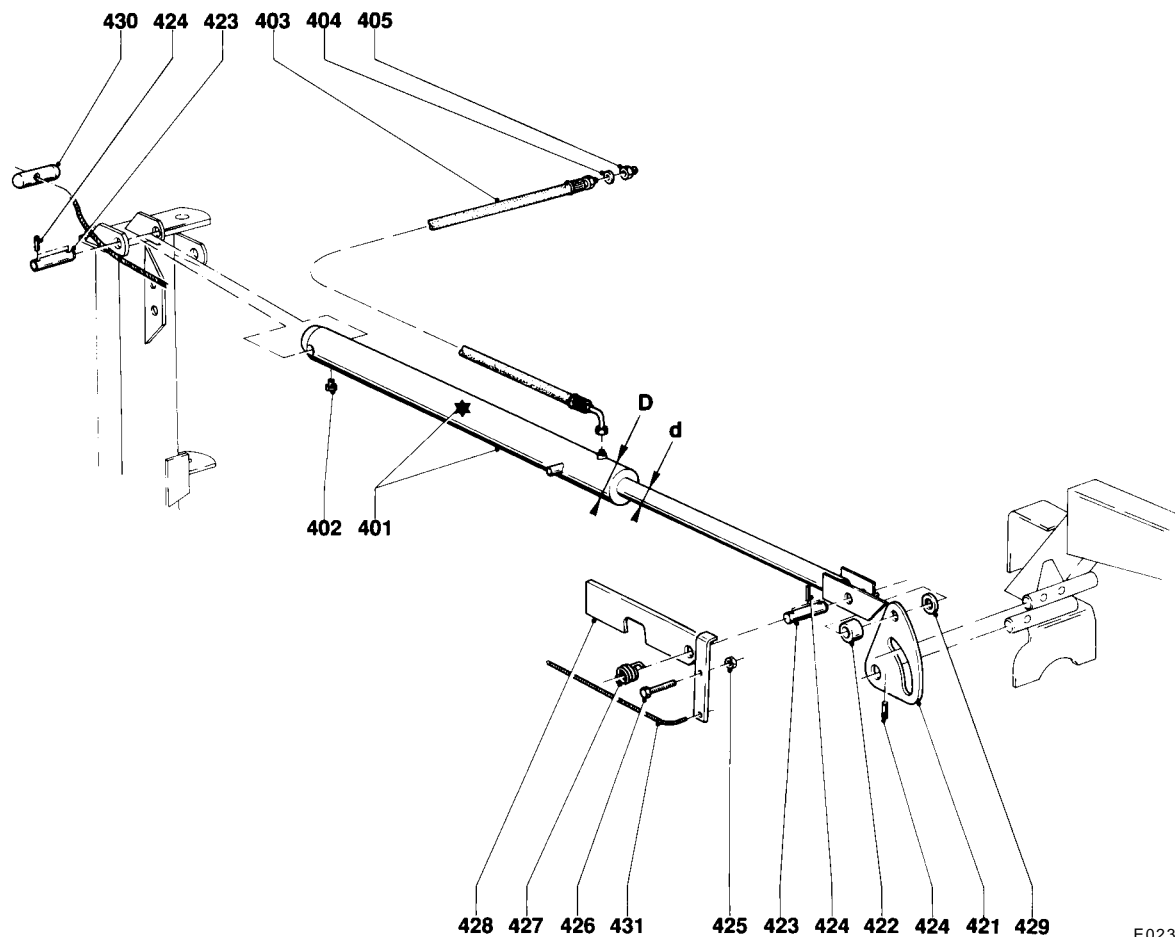
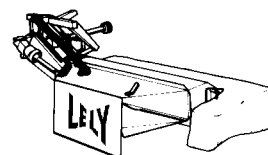
A15 DIN 125 [—]
40x14,3x1,5 DIN 2093
M12x35 DIN 933-8.8
M12 DIN 985-8
M10x35 DIN 933-8.8
Ø10x75 DIN 1481
Ø6x75 DIN 1481
M12 DIN 934-8
M10x120 DIN 931-8.8
M10 DIN 985-8
Ø10x60 DIN 1481
A20 DIN 127 [—]
M20x90 DIN 931-8.8
M20 DIN 934-8
AM8x1,25

= REF. 381-390

"Smeerpunt"
"Greasing point"
"Point de graissage"
"Schmierstelle"



	type number type number numéro de type Typnummer	vanaf serienummer as from serial number après numéro de serie ab Seriennummer
OPTIMO 205 C	4.1208.0300.1	933 - 0501



E023-05-01

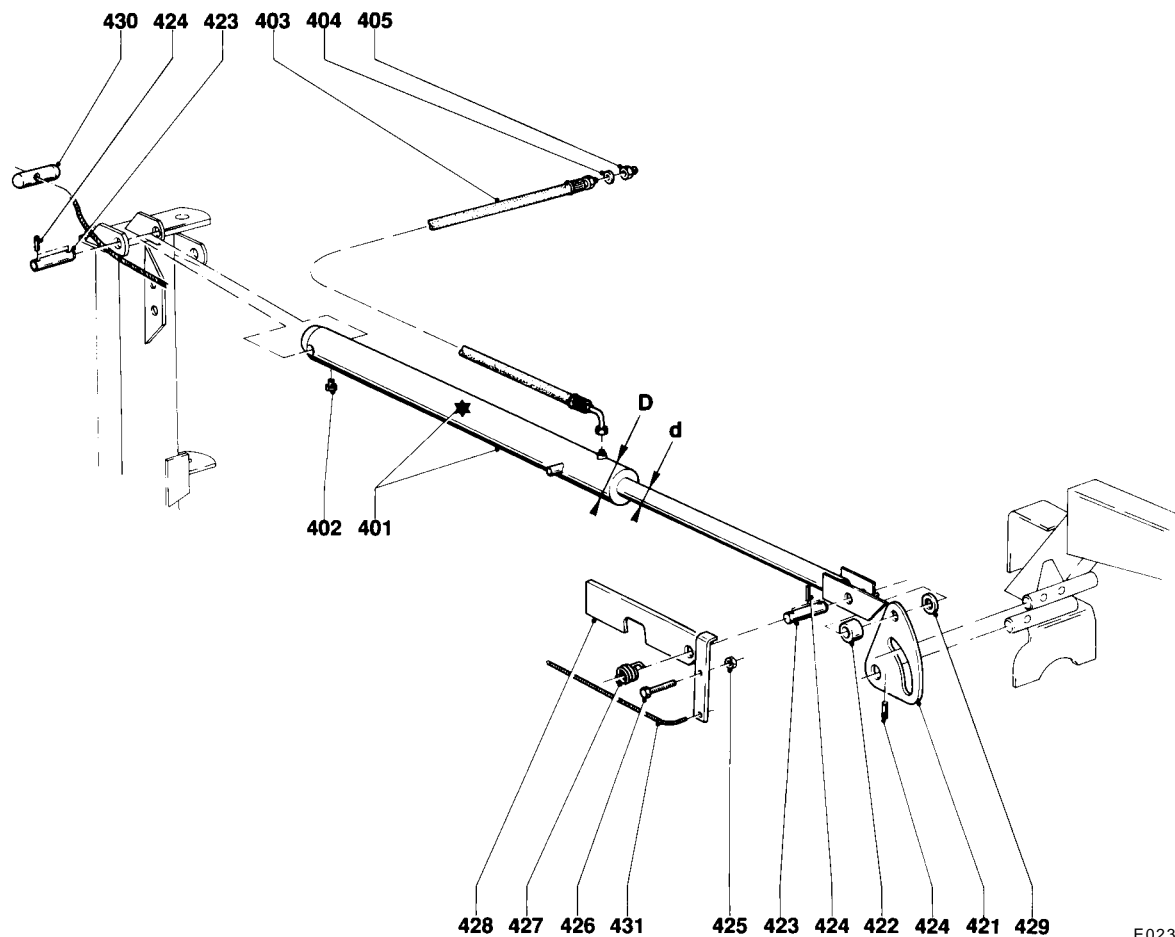
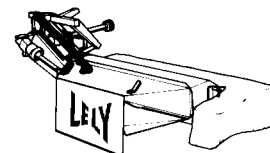
REF.	ONDERDEELNR. PART NUMBER REFERENCE TEILNUMMER	AANTAL QUANTITY QUANTITE ANZAHL	
------	--	--	--

401	4.1207.0390.0	1	(401= 401+ ★ +402) slag / extension: 475 mm course / Hub: 475 mm
★	4.1207.0399.0	(1)	(d= Ø35, D= Ø60/70) [A+A][x]
402	9.1150.0004.1	(1)	M14x1,5
403	4.1016.0530.0	1	L= 2060 mm
404	9.1137.0401.5	-	Ø14x20x1,5 []
405	9.1137.0606.0	-	RED-R 3/8"-1/4"
	9.1137.0604.5	-	M18x1,5-1/4"
	9.1137.0603.4	-	RED-R 1/2"-1/4"
	9.1137.0608.2	-	M22x1,5-1/4"
421	4.1207.0617.0	1	
422	4.1207.0548.0	1	
423	4.1207.0613.0	2	
424	9.1070.0023*2	7	Ø8x50 DIN 1481
425	9.1030.0004*2	1	M10 DIN 985-8
426	9.1113.0117*4	1	M10x35 DIN 933-8.8
427	4.1006.0075.0	1	
428	4.1207.0541.0	1	
429	9.1048.0045*4	1	26 DIN 126 []
430	2.3201.0328.0	1	
431	4.1201.1462.0	1	Ø6x4m (1m= 9.1163.0004.2)

REF.	ONDERDEELNR. PART NUMBER REFERENCE TEILNUMMER	AANTAL QUANTITY QUANTITE ANZAHL	
------	--	--	--



	type nummer type number numéro de type Typnummer	vanaf serienummer as from serial number après numéro de serie ab Seriennummer
OPTIMO 205 C	4.1208.0301.1	982 - 0501



E023-05-01

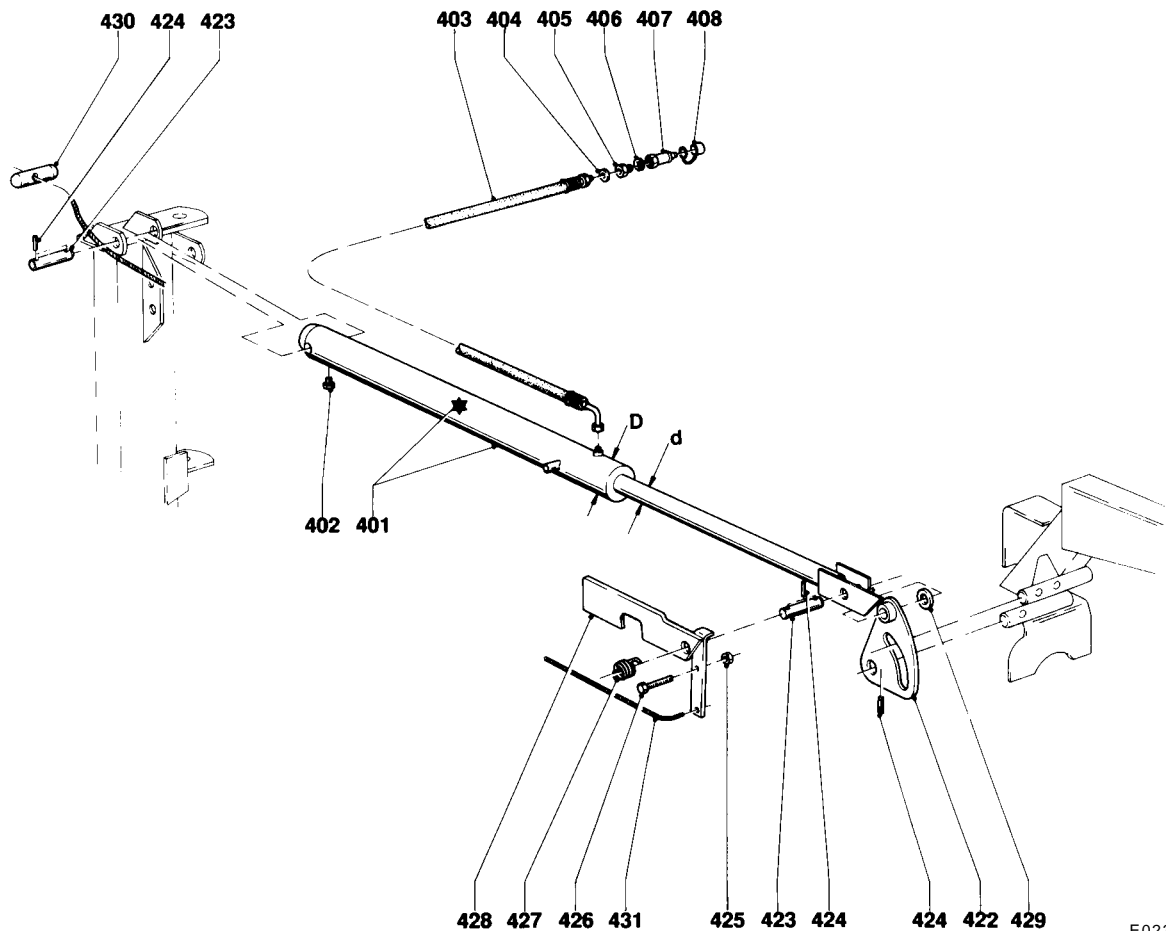
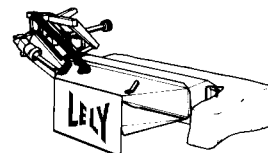
REF.	ONDERDEELNR. PART NUMBER REFERENCE TEILNUMMER	AANTAL QUANTITY QUANTITE ANZAHL	
------	--	--	--

401	4.1207.0391.0	1	(401= 401+ ★ +402) slag / extension: 500 mm course / Hub: 500 mm
★	4.1207.0399.0	(1)	(d= Ø35, D= Ø60/70) [A+A][x]
402	9.1150.0004.1	(1)	M14x1,5
403	4.1016.0530.0	1	L= 2060 mm
404	9.1137.0401.5	-	Ø14x20x1,5 []
405	9.1137.0606.0	-	RED-R 3/8"-1/4"
	9.1137.0604.5	-	M18x1,5-1/4"
	9.1137.0603.4	-	RED-R 1/2"-1/4"
	9.1137.0608.2	-	M22x1,5-1/4"
421	4.1207.0617.0	1	
422	4.1207.0548.0	1	
423	4.1207.0613.0	2	
424	9.1070.0023*2	7	Ø8x50 DIN 1481
425	9.1030.0004*2	1	M10 DIN 985-8
426	9.1113.0117*4	1	M10x35 DIN 933-8.8
427	4.1006.0075.0	1	
428	4.1207.0541.0	1	
429	9.1048.0045*4	1	26 DIN 126 []
430	2.3201.0328.0	1	
431	4.1201.1462.0	1	Ø6x4m (1m= 9.1163.0004.2)

REF.	ONDERDEELNR. PART NUMBER REFERENCE TEILNUMMER	AANTAL QUANTITY QUANTITE ANZAHL	
------	--	--	--



	type number type number numéro de type Typnummer	vanaf serienummer as from serial number après numéro de serie ab Serienummer
OPTIMO 205 C	4.1208.0301.1	998 - 0551
OPTIMO 205 C	4.1208.0303.1	10110 - 0501



E023-06-00

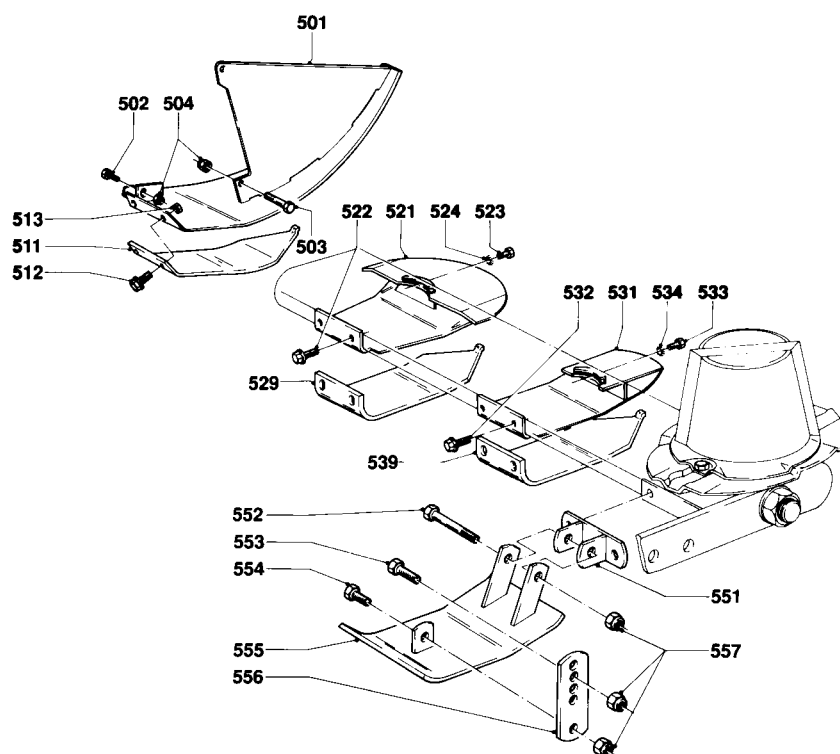
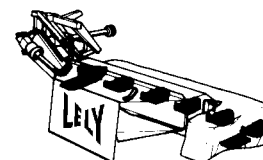
REF.	ONDERDEELNR. PART NUMBER REFERENCE TEILNUMMER	AANTAL QUANTITY QUANTITE ANZAHL	
------	--	--	--

401	4.1207.0391.0	1	(401= 401+ ★ +402) slag / extension: 500 mm course / Hub: 500 mm
★	4.1207.0399.0	(1)	(d= Ø35, D= Ø60/70) [A+A][x]
402	9.1150.0004.1	(1)	M14x1,5
403	4.1016.0530.0	1	L= 2060 mm
404	9.1137.0401.5	1	Ø14x20x1,5 Cu [—]
405	9.1137.0603.4	1	1/2"-1/4"
406	9.1137.0402.6	1	Ø22x29x1,5 Cu [—]
407	9.1137.0302.4	1	1/2" G
408	9.1137.0303.5	1	1/2" PVC
422	4.1207.0640.0	1	
423	4.1207.0613.0	2	
424	9.1070.0023.2	7	Ø8x50 DIN 1481
425	9.1030.0004*2	1	M10 DIN 985-8
426	9.1113.0117*4	1	M10x35 DIN 933-8.8
427	4.1006.0075.0	1	
428	4.1207.0541.0	1	
429	9.1048.0045*4	1	26 DIN 126 [—]
430	2.3201.0328.0	1	
431	4.1201.1462.0	1	Ø6x4m (1m= 9.1163.0004.2)

REF.	ONDERDEELNR. PART NUMBER REFERENCE TEILNUMMER	AANTAL QUANTITY QUANTITE ANZAHL	
------	--	--	--



	type nummer type number numéro de type Typnummer	vanaf serienummer as from serial number après numéro de série ab Seriennummer
OPTIMO 205 C	4.1208.0300.1	949 - 0501
OPTIMO 205 C	4.1208.0301.1	982 - 0501



E028-06-01

REF.	ONDERDEELNR. PART NUMBER REFERENCE TEILNUMMER	AANTAL QUANTITY QUANTITE ANZAHL
------	--	--

501	4.1201.0361.0	1
502	9.1113.0117*4	1
503	9.1113.0041*5	1
504	9.1030.0004*2	2

511	4.1201.2003.0	1	3 mm [x]	Slijtplaat
	4.1201.2006.0	1	6 mm	Wear plate
				Plaque d'usure
				Verschleissplatte

512	9.1114.0009*0	2	M10x25 8.8
513	9.1030.0004*2	2	M10 DIN 985-8

521	4.1201.0410.0	5	Brede glijsloffen
			Wide skids
			Patins larges
			Breite Gleitkufen

522	9.1114.0009*0	10	M10x25 8.8
523	9.1113.0267*0	5	M8x16 DIN 933-10.9
524	9.1051.0001*6	5	A8,2 DIN 6798 [//////]

529	4.1201.2002.0	5	3 mm [x]	Slijtplaten
	4.1201.2005.0	5	6 mm	Wear plates
				Plaques d'usure
				Verschleissplatten

REF.	ONDERDEELNR. PART NUMBER REFERENCE TEILNUMMER	AANTAL QUANTITY QUANTITE ANZAHL
------	--	--

531	4.1201.2200.0	5	Smalle glijsloffen
			Narrow skids
			Patins étroits
			Schmale Gleitkufen

532	9.1114.0009*0	10	M10x25 8.8
533	9.1113.0267*0	5	M8x16 DIN 933-10.9
534	9.1051.0001*6	5	A8,2 DIN 6798 [//////]

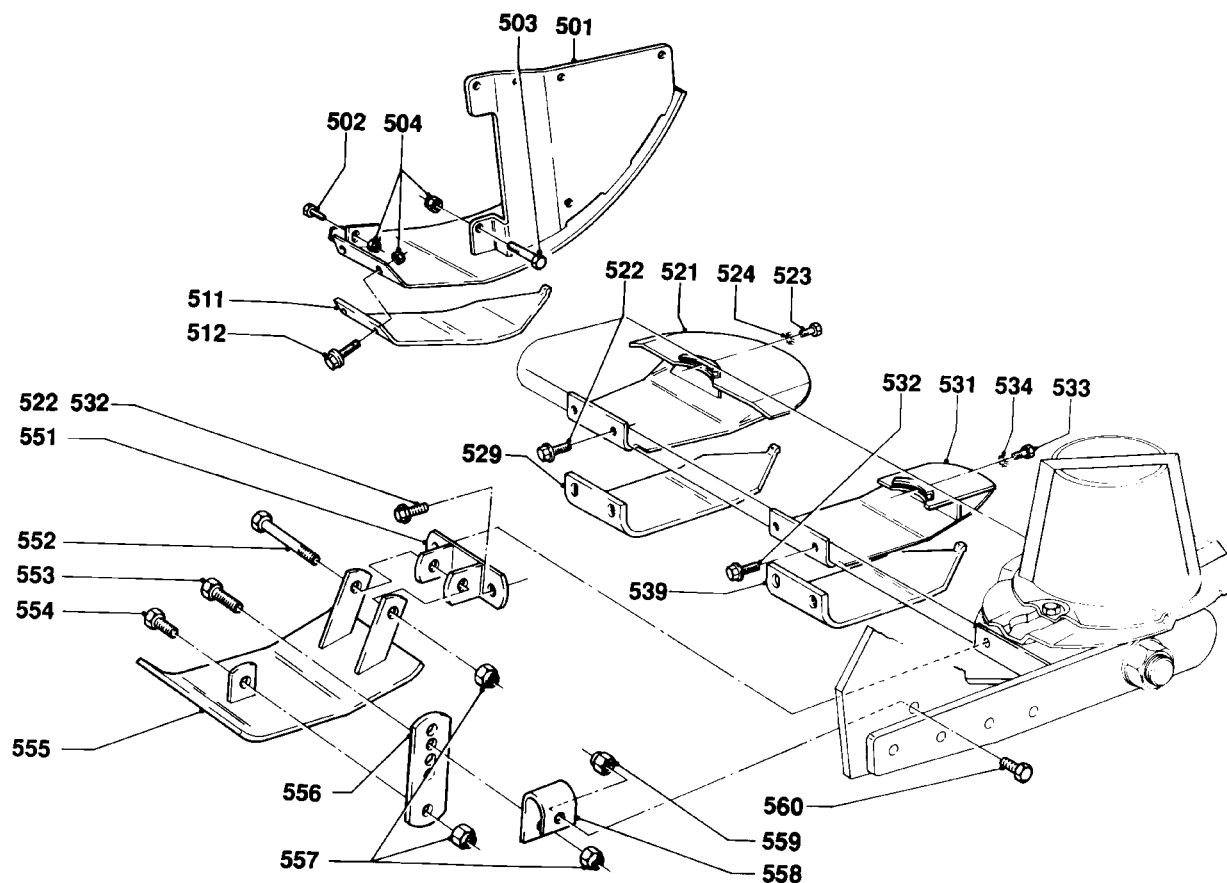
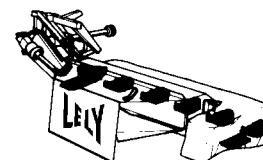
539	4.1201.2004.0	5	3 mm [x]	Slijtplaten
	4.1201.2007.0	5	6 mm	Wear plates
				Plaques d'usure
				Verschleissplatten

551	4.1207.2030.0	1	
552	9.1113.0156*1	2	M10x85 DIN 931-10.9
553	9.1113.0117*4	2	M10x35 DIN 933-8.8
554	9.1113.0029*0	2	M10x25 DIN 933-8.8
555	4.1207.2011.0	2	

556	4.1207.2047.0	2	
557	9.1030.0004*2	6	M10 DIN 985-8

LELY

	type nummer type number numéro de type Typnummer	vanaf serienummer as from serial number après numéro de serie ab Serienummer
OPTIMO 205 C	4.1208.0301.1	998 - 0551
OPTIMO 205 C	4.1208.0303.1	10110 - 0501



E028-08-00

REF.	ONDERDEELNR. PART NUMBER REFERENCE TEILNUMMER	AANTAL QUANTITY QUANTITE ANZAHL	
------	--	--	--

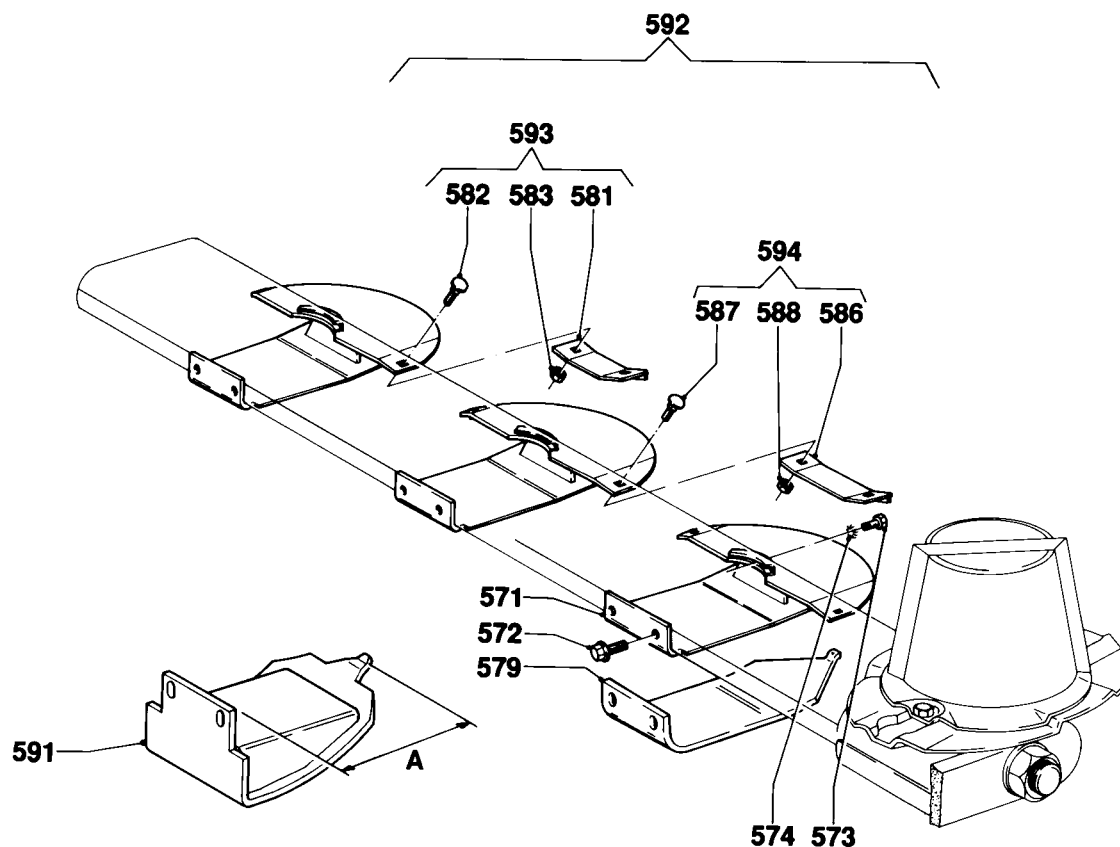
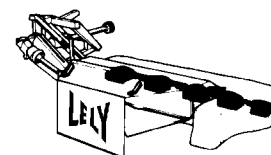
501	4.1201.0362.0	1	
502	9.1113.0117*4	1	M10x35 DIN 933-8.8
503	9.1113.0041*5	1	M10x70 DIN 931-8.8
504	9.1030.0004*2	4	M10 DIN 985-8
511	4.1201.2003.0	1	3 mm Slijtplate
	4.1201.2006.0	(1)	6 mm Wear plate
			Plaque d'usure
			Verschleissplatte
512	9.1114.0009*0	2	M10x30 8.8
521	4.1201.0410.0	5	Brede glijsloffen Wide skids Patins larges Breite Gleitkufen
522	9.1114.0009*0	10	M10x30 8.8
523	9.1113.0267*0	5	M8x16 DIN 933-10.9
524	9.1051.0001*6	5	A8,2 DIN 6798 [//////]
529	4.1201.2002.0	5	3 mm Slijtplate
	4.1201.2005.0	(5)	6 mm Wear plates
			Plaques d'usure
			Verschleissplatten

REF.	ONDERDEELNR. PART NUMBER REFERENCE TEILNUMMER	AANTAL QUANTITY QUANTITE ANZAHL	
------	--	--	--

531	4.1201.2200.0	5	Smalle glijsloffen Narrow skids Patins étroits Schmale Gleitkufen
532	9.1114.0009*0	10	M10x30 8.8
533	9.1113.0267*0	5	M8x16 DIN 933-10.9
534	9.1051.0001*6	5	A8,2 DIN 6798 [//////]
539	4.1201.2004.0	5	3 mm Slijtplate
	4.1201.2007.0	(5)	6 mm Wear plates
			Plaques d'usure
			Verschleissplatten
551	4.1207.2030.0	1	[R]
552	9.1113.0156*1	2	M10x85 DIN 931-10.9
553	9.1113.0117*4	1	M10x35 DIN 933-8.8
554	9.1113.0120*0	3	M10x30 DIN 933-8.8
555	4.1207.2011.0	2	[R]+[L]
556	4.1207.2047.0	2	[R]+[L]
557	9.1030.0004*2	6	M10 DIN 985-8
558	4.1217.0347.0	1	[R]
559	9.1030.0013*4	1	M12 DIN 985-8
560	9.1113.0125*5	1	M12x35 DIN 933-8.8



	type nummer type number numéro de type Typnummer	vanaf serienummer as from serial number après numéro de serie ab Serienummer
OPTIMO 205 C	4.1208.0300.1	949 - 0501
OPTIMO 205 C	4.1208.0301.1	982 - 0501
OPTIMO 205 C	4.1208.0303.1	10110 - 0501



E048-03-20

REF.	ONDERDEELNR. PART NUMBER REFERENCE TEILNUMMER	AANTAL QUANTITY QUANTITE ANZAHL
------	--	--

GLIJSLOFFEN (voorbereid voor maaibalk-steenbescherming) = 571
 SKIDS (prepared for cutter bar stone protection) = 571
 PATINS (préparés pour kit de protection anti-pierres) = 571
 GLEITKUFEN (für Mähbalken-Steinschutzsatz vorbereitet) = 571

571	4.1201.0420.0	5
572	9.1114.0009*0	10
573	9.1113.0267*0	5
574	9.1051.0001*6	5

579	4.1201.2004.0	5	3 mm	Slijtplaten
	4.1201.2007.0	(5)	6 mm	Wear plates Plaques d'usure Verschleissplatten

581	4.1201.0430.0	1x	[←125→]
582	9.1058.0027*4	2x	M10x25 DIN 603
583	9.1030.0004*2	2x	M10 DIN 985-8

586	4.1202.2030.0	1	[←160→]
587	9.1058.0027*4	2	M10x25 DIN 603
588	9.1030.0004*2	2	M10 DIN 985-8

REF.	ONDERDEELNR. PART NUMBER REFERENCE TEILNUMMER	AANTAL QUANTITY QUANTITE ANZAHL
------	--	--

591 4.1201.2480.0 1 Onder binnenschoen 501 [x]
 Underneath inner shoe 501 [x]
 Au-dessous du sabot
 intérieur [x]
 Unter Innenschuh 501 [x]

591 4.1201.2470.0 4-5 A= 282 mm
 Onder glijslof 521
 Underneath skid 521
 Au-dessous du patin 521
 Unter Gleitkufen 521

591 4.1201.2461.0 4-5 A= 252 mm
 Onder glijslof 531/571
 Underneath skid 531/571
 Au-dessous du patin 531/571
 Unter Gleitkufen 531/571

592 4.1202.0000.7 1 = REF. 571-588 (6 mm)

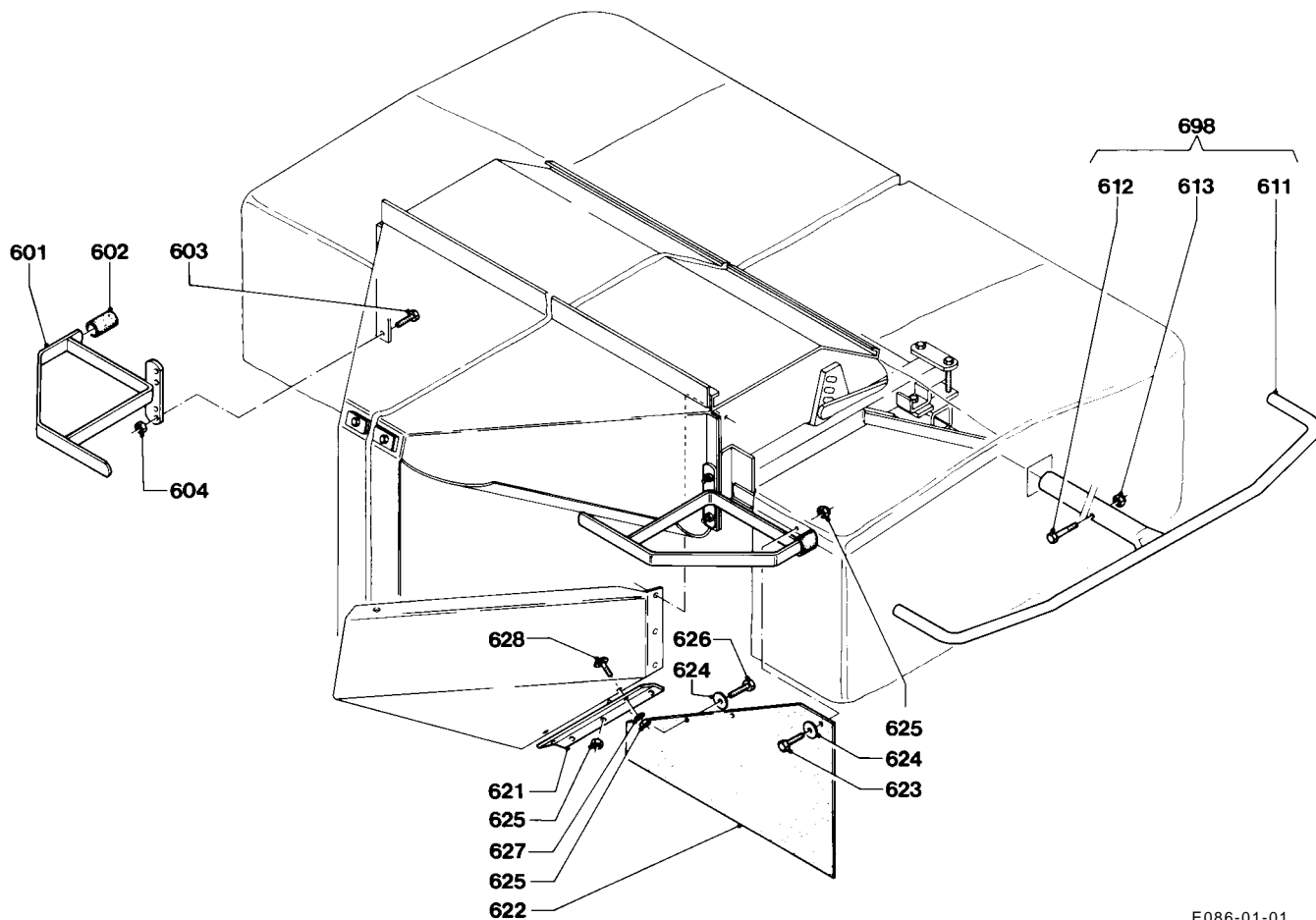
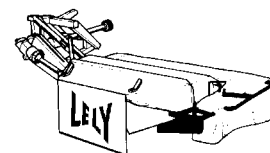
- 4.1202.0000.6 1 = REF. 593+594

593 4.1201.0450.0 3 = REF. 581-583 [←125→]

594 4.1202.2040.0 1 = REF. 586-588 [←160→]



	type number type number numéro de type Typnummer	vanaf serienummer as from serial number après numéro de série ab Seriennummer
OPTIMO 205 C	4.1208.0020.3	1008 - 0531



E086-01-01

REF.	ONDERDEELNR. PART NUMBER REFERENCE TEILNUMMER	AANTAL QUANTITY QUANTITE ANZAHL	
------	--	--	--

601	4.1207.2080.0	2	[R]+[L]
602	4.1207.2079.0	2	
603	9.1113.0128*1	4	M8x25 DIN 933-8.8
604	9.1030.0012*3	4	M8 DIN 985-8

611	4.1207.2060.0	1	
612	9.1113.0060*3	1	M12x75 DIN 931-8.8
613	9.1030.0013*4	1	M12 DIN 985-8

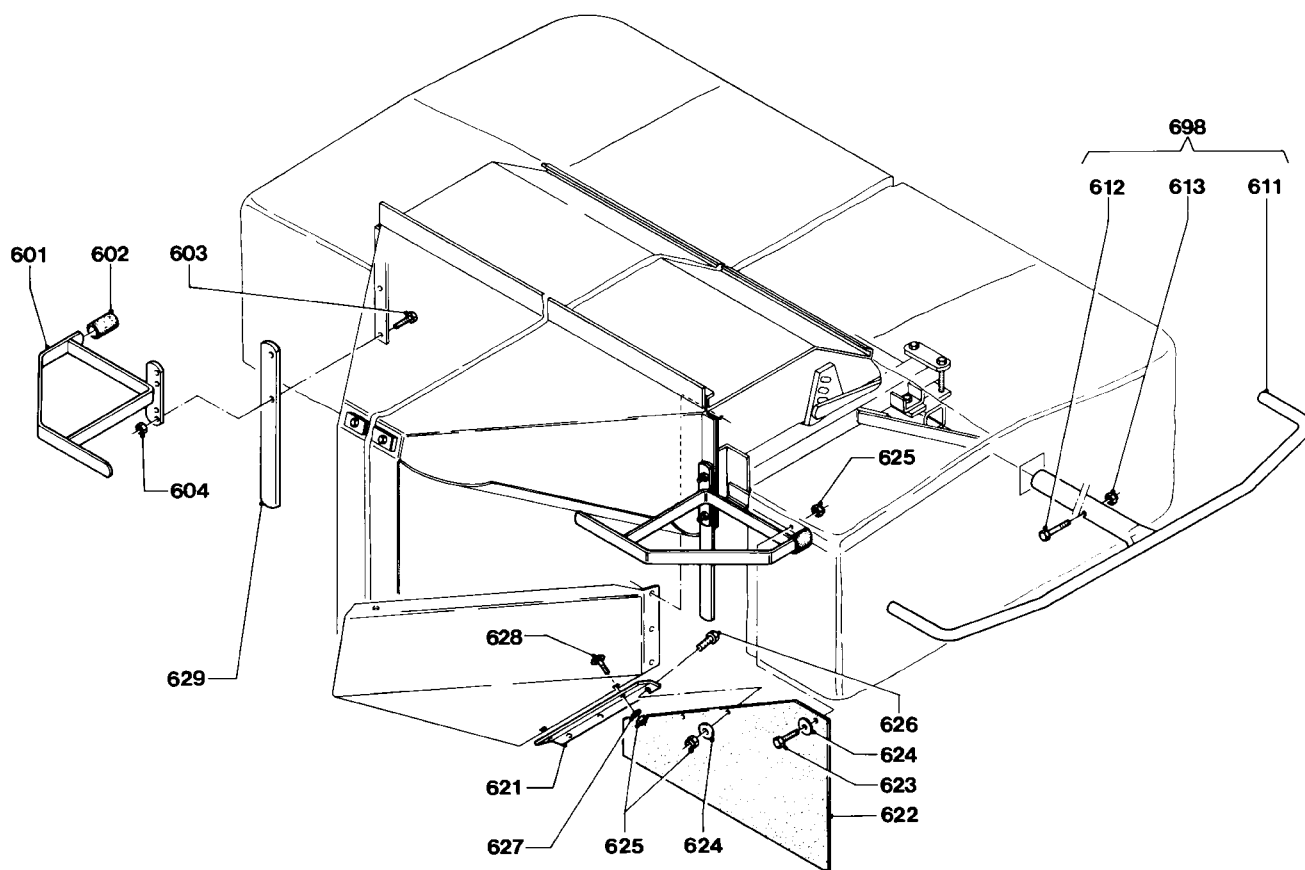
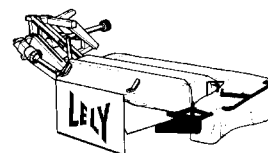
621	4.1207.1490.0	2	
622	4.1207.1491.0	2	
623	9.1113.0130*3	2	M8x30 DIN 933-8.8
624	9.1048.0005*6	8	A8,4 DIN 9021 []
625	9.1030.0012*3	12	M8 DIN 985-8
626	9.1113.0014*6	6	M8x20 DIN 933-8.8
627	9.1048.0004*5	4	A8,4 DIN 125 []
628	9.1058.0008*6	4	M8x20 DIN 603

REF.	ONDERDEELNR. PART NUMBER REFERENCE TEILNUMMER	AANTAL QUANTITY QUANTITE ANZAHL	
------	--	--	--

698	4.1207.2050.0	1	= REF. 611-613
-----	---------------	---	----------------

LELY

	type number type number numéro de type Typnummer	vanaf serienummer as from serial number après numéro de serie ab Seriennummer
OPTIMO 205 C	4.1208.0020.3	10110 - 0501



E086-02-01

REF.	ONDERDEELNR. PART NUMBER REFERENCE TEILNUMMER	AANTAL QUANTITY QUANTITE ANZAHL	
------	--	--	--

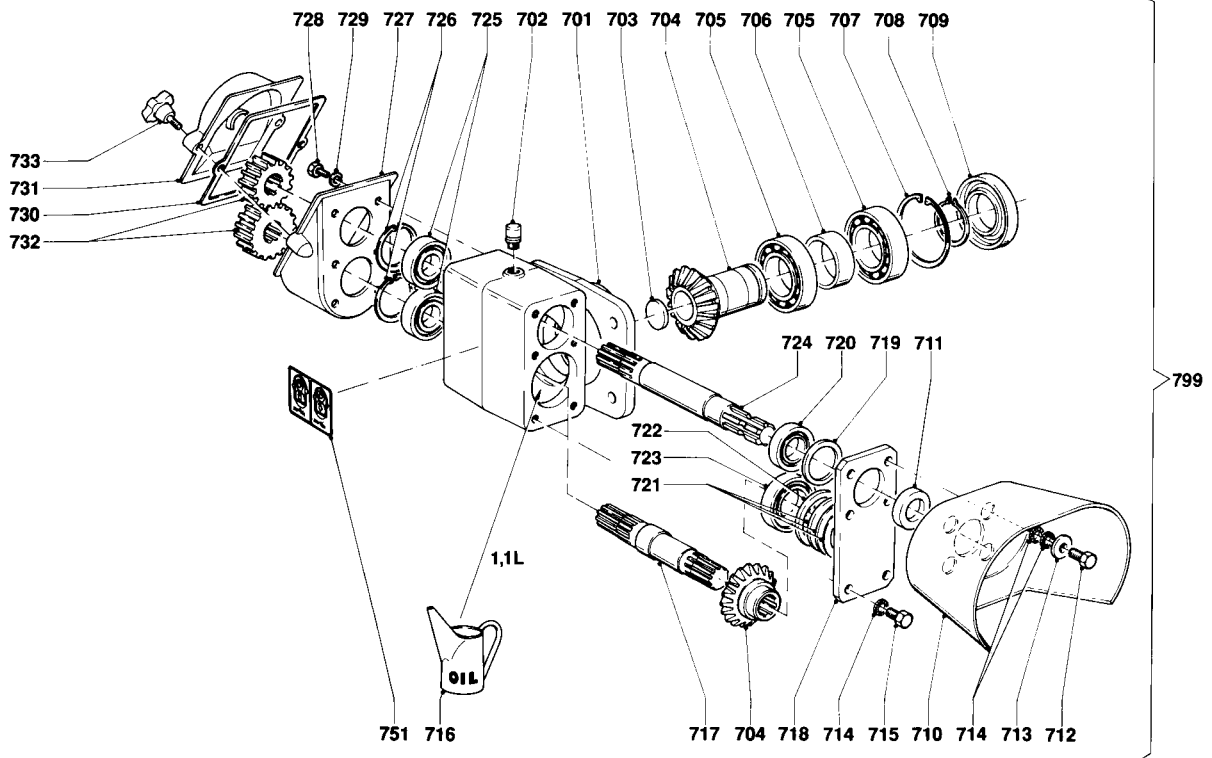
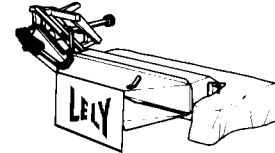
601	4.1207.2080.0	2	[R]+[L]
602	4.1207.2079.0	2	
603	9.1113.0128*1	4	M8x25 DIN 933-8.8
604	9.1030.0012*3	4	M8 DIN 985-8
611	4.1207.2060.0	1	
612	9.1113.0060*3	1	M12x75 DIN 931-8.8
613	9.1030.0013*4	1	M12 DIN 985-8
621	4.1207.1490.0	2	
622	4.1207.1491.0	2	
623	9.1113.0130*3	2	M8x30 DIN 933-8.8
624	9.1048.0005*6	8	A8,4 DIN 9021 []
625	9.1030.0012*3	12	M8 DIN 985-8
626	9.1113.0014*6	6	M8x20 DIN 933-8.8
627	9.1048.0004*5	4	A8,4 DIN 125 []
628	9.1058.0008*6	4	M8x20 DIN 603
629	4.1207.1488.0	2	

REF.	ONDERDEELNR. PART NUMBER REFERENCE TEILNUMMER	AANTAL QUANTITY QUANTITE ANZAHL	
------	--	--	--

698	4.1207.2050.0	1	= REF. 611-613
-----	---------------	---	----------------



	type nummer type number numéro de type Typnummer	vanaf serienummer as from serial number après numéro de serie ab Seriennummer
OPTIMO 205 C	4.1208.0020.1	933 - 0501



E014-03-00

REF.	ONDERDEELNR. PART NUMBER REFERENCE TEILNUMMER	AANTAL QUANTITY QUANTITE ANZAHL		
------	--	--	--	--

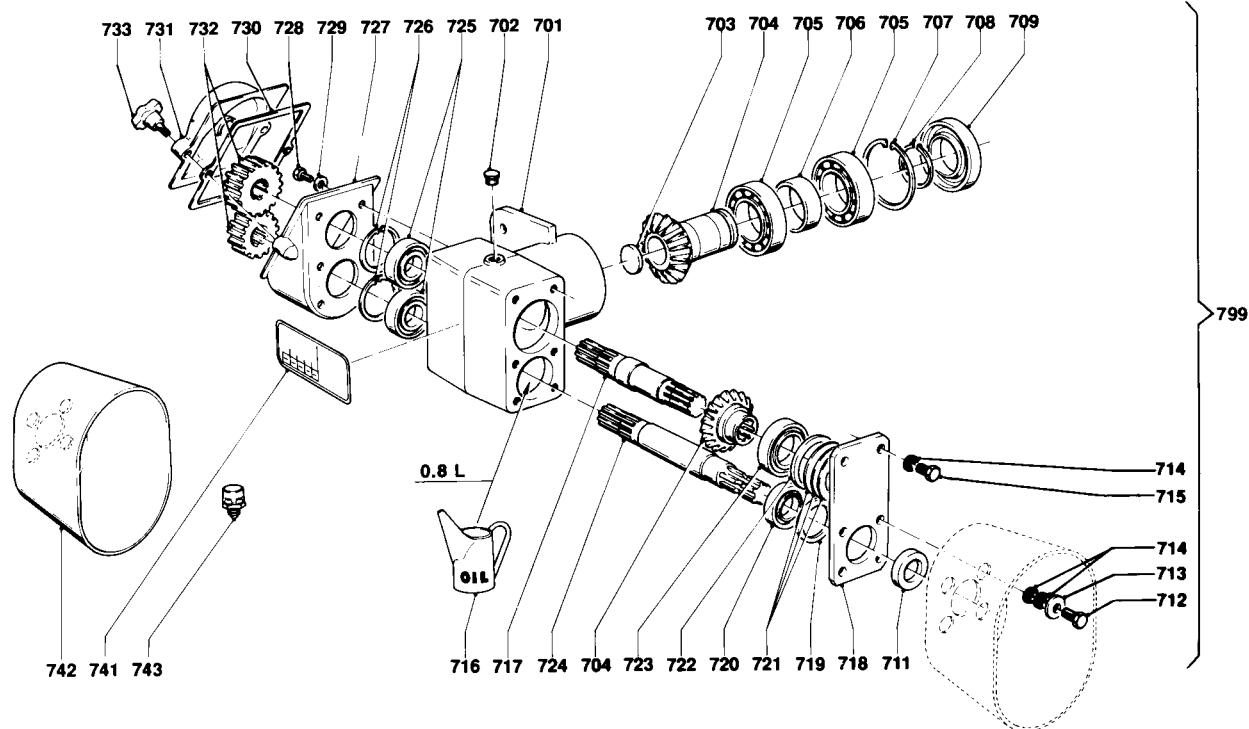
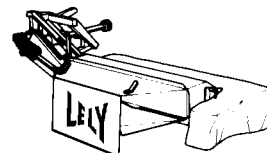
701	4.1207.0219.0	1		
702	1.1606.0022.0	1	G1/8" SLW 16	
703	4.1207.0216.0	1		
704	4.1207.0215.1	1		[T+T]
705	9.1001.0077.6	2	6210	
706	4.1207.0218.0	1		
707	9.1120.0014.6	1	90x3,00 DIN 472	
708	9.1119.0016.2	1	50x2,00 DIN 471	
709	9.1042.0051.2	1	50x90x10 DB	[> <]
710	4.1207.0212.0	1		
711	9.1042.0052.3	1	30x50x8 CB	[> <]
712	9.1113.0029*0	4	M10x25 DIN 933-8.8	
713	9.1048.0008*2	4	A10,5 DIN 9021	[—]
714	9.1051.0002*0	10	A10,5 DIN 6798	[////]
715	9.1113.0027.5	2	M10x20 DIN 933-8.8	
716	9.1171.0044.6	(1,1 L)	0,7L GP80 W90 ESSO	
717	4.1207.0214.0	1		
718	4.1207.0213.0	1		
719	9.1052.0004.1	1	S45x55x3 DIN 988	
720	9.1001.0074.3	1	6006-C4	
721	4.1207.0211.0	1		[D+D]
722	9.1052.0010.0	1	S55x68x3 DIN 988	
723	9.1001.0023.1	1	6008	
724	2.3217.0021.0	1		
725	9.1001.0062.5	2	6206-C4	

REF.	ONDERDEELNR. PART NUMBER REFERENCE TEILNUMMER	AANTAL QUANTITY QUANTITE ANZAHL		
------	--	--	--	--

726	9.1120.0005.4	2	62x2,00 DIN 472	
727	2.3217.0019.0	1		
728	9.1113.0013.5	6	M8x16 DIN 933-8.8	
729	9.1121.0010.1	6	A8 DIN 127	[—]
730	2.3217.0026.0	1		
731	2.3217.0020.0	1		
732	2.3217.0035.1	1	16/19	[T+T]
733	9.1141.0009.1	2	M10x35 DIN 6336	
751	9.1170.0163.0	1	16/19= 780 RPM	
799	4.1207.0200.0	1	= REF. 701-733	

LELY

	type nummer type number numéro de type Typnummer	vanaf serienummer as from serial number après numéro de serie ab Seriennummer
OPTIMO 205 C	4.1208.0020.1	982 - 0501
OPTIMO 205 C	4.1208.0020.3	982 - 0501



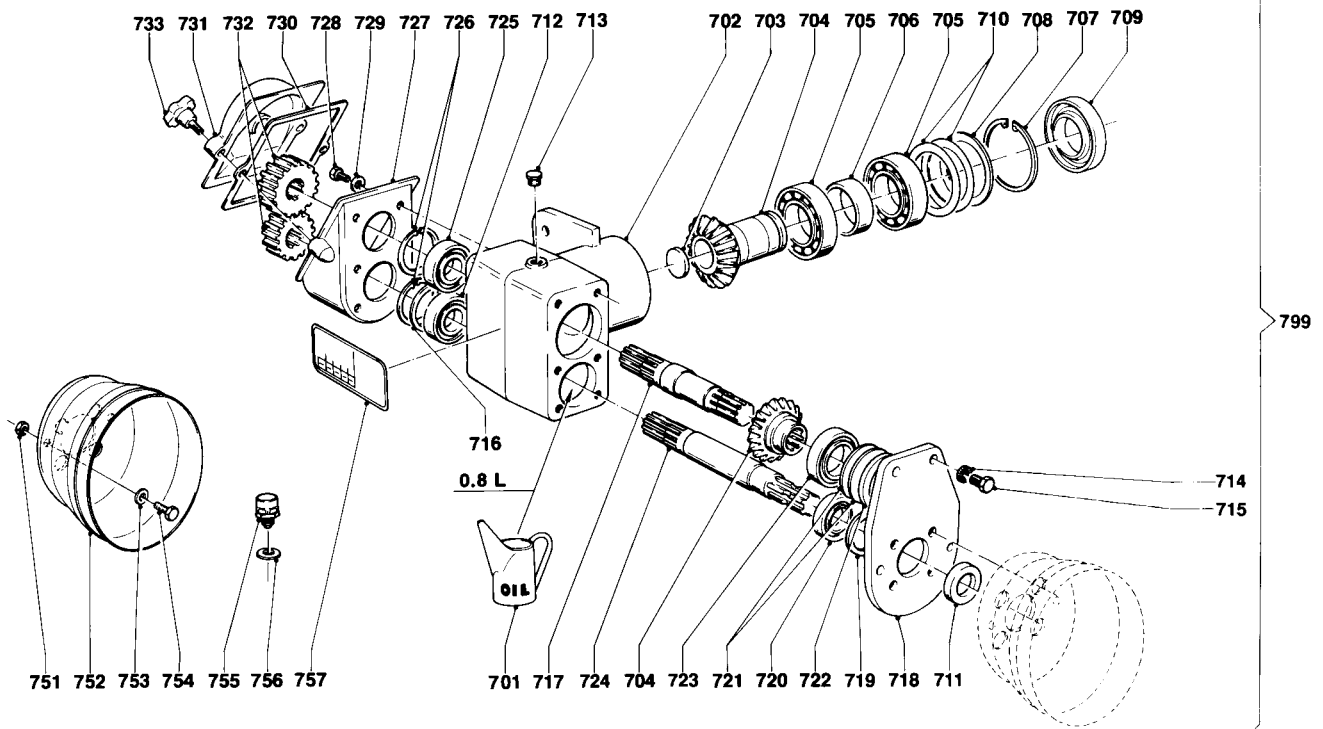
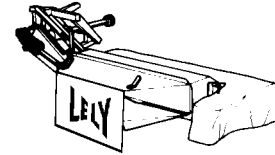
E050-02-02

REF.	ONDERDEELNR. PART NUMBER REFERENCE TEILNUMMER	AANTAL QUANTITY QUANTITE ANZAHL		
701	4.1217.0160.0	1		
702	9.1131.0003.5	1	G1/8" Stop(fen) Plug Bouchon	
703	4.1207.0216.0	1		
704	4.1207.0215.1	1		[T+T]
705	9.1001.0077.6	2	6210	
706	4.1207.0218.0	1		
707	9.1120.0014.6	1	90x3,00 DIN 472	
708	9.1119.0016.2	1	50x2,00 DIN 471	
709	9.1042.0051.2	1	50x90x10 DB	[>]◀
711	9.1042.0052.3	1	30x50x8 CB	[>]◀
712	9.1113.0029*0	4	M10x25 DIN 933-8.8	
713	9.1048.0008*2	4	A10,5 DIN 9021	[—]
714	9.1051.0002*0	10	A10,5 DIN 6798	[////]
715	9.1113.0027*5	2	M10x20 DIN 933-8.8	
716	9.1171.0044.6	(0,8 L)	0,7L GP80 W90 ESSO	
717	4.1207.0214.0	1		
718	4.1207.0213.0	1		
719	9.1052.0004.1	1	S45x55x3 DIN 988	
720	9.1001.0082.4	1	6006-C3	
721	4.1207.0211.0	1		[D+D]
722	9.1052.0010.0	1	S55x68x3 DIN 988	
723	9.1001.0023.1	1	6008	
724	2.3217.0021.0	1		
725	9.1001.0062.5	2	6206-C4	

REF.	ONDERDEELNR. PART NUMBER REFERENCE TEILNUMMER	AANTAL QUANTITY QUANTITE ANZAHL		
726	9.1120.0005.4	2	62x2,00 DIN 472	
727	2.3217.0019.0	1		
728	9.1113.0013.5	6	M8x16 DIN 933-8.8	
729	9.1121.0010.1	6	A8 DIN 127	[—]
730	2.3217.0026.0	1		
731	2.3217.0020.0	1		
732	2.3217.0033.1	(1)	15/20	[T+T]
	2.3217.0035.1	(1)	16/19	[T+T]
733	9.1141.0009.1	2	M10x35 DIN 6336	
741	9.1170.0316.6	1	"Z1-Z2= .. RPM"	
742	4.1207.0212.0	1		
743	1.1606.0022.0	1	G1/8" SLW 16 Ontluchter / Breather Reniflard / Entlüfter	
799	4.1217.0150.1	1	= REF. 701-733	



	type nummer type number numéro de type Typnummer	vanaf serienummer as from serial number après numéro de série ab Seriennummer
OPTIMO 205 C	4.1208.0020.3	10110 - 0501



E050-04-00

REF.	ONDERDEELNR. PART NUMBER REFERENCE TEILNUMMER	AANTAL QUANTITY QUANTITE ANZAHL		
------	--	--	--	--

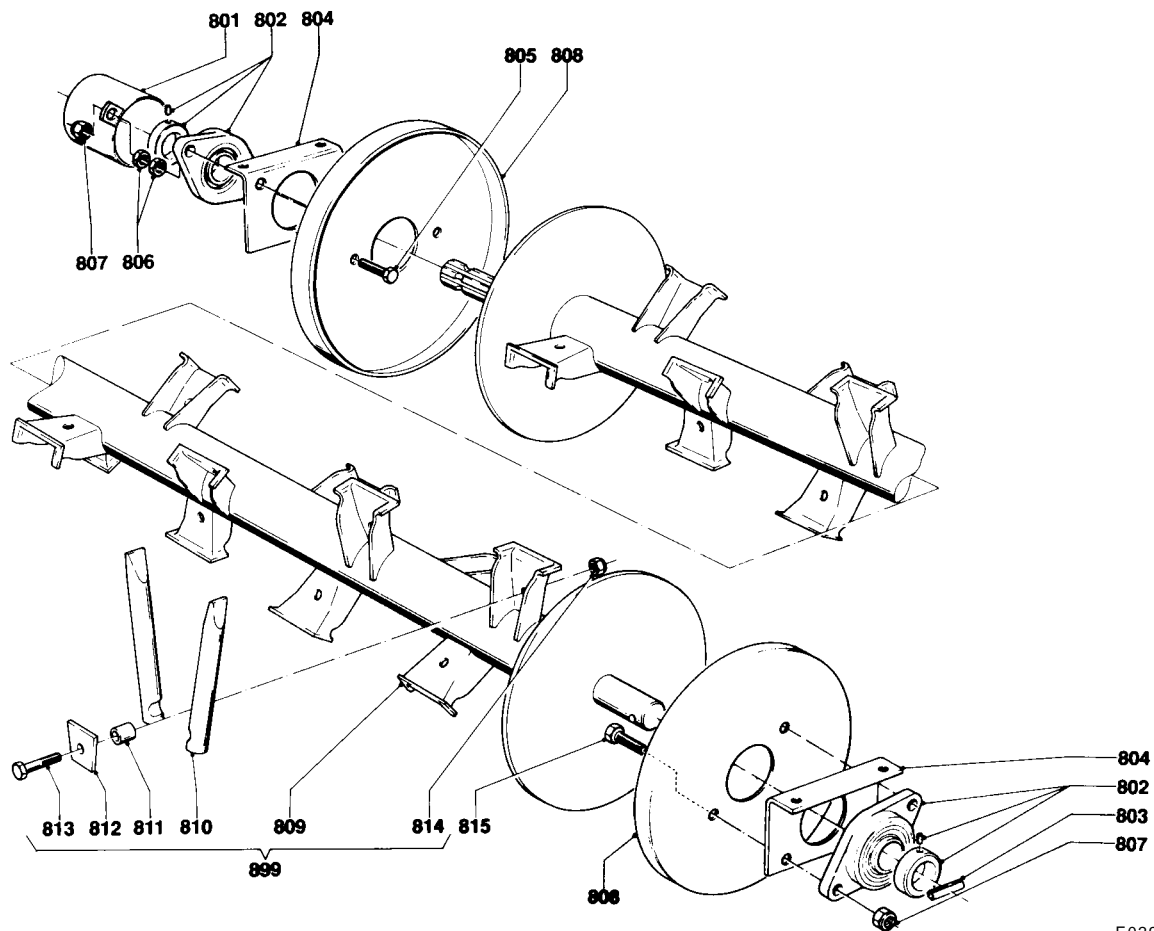
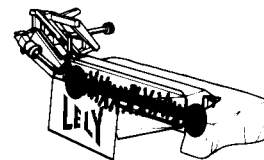
701	9.1171.0044.6	(0,8L)	0,7L GP80 W90 ESSO	
702	4.1217.0160.0	1		
703	4.1207.0216.0	1		
704	4.1207.0215.1	1		[T+T]
705	9.1001.0077.6	2	6210	
706	4.1217.0166.0	1		
707	9.1120.0014.6	1	90x3,00 DIN 472	
708	9.1093.0067.2	1	70x90x0,5 DIN 988	[—]
709	9.1042.0051.2	1	50x90x10 DB	[>]◀
710	4.1201.0310.0	(1)		[D+D]
711	9.1042.0052.3	1	30x50x8 CB	[>]◀
712	9.1001.0134.0	1	6206 2RS1-C4	
713	9.1131.0003.5	1	1/8" Stop(fen) Plug Bouchon	
714	9.1051.0002*0	6	A10,5 DIN 6798	[////]
715	9.1113.0029*0	6	M10x25 DIN 933-8.8	
716	9.1093.0038.1	~	50x62x0,5 DIN 988	[—]
717	4.1207.0214.0	1		
718	4.1217.0168.0	1		
719	4.1217.0167.0	1		
720	9.1001.0082.4	1	6006 C3	
721	4.1207.0211.0	(1)		[D+D]
722	9.1052.0010.0	1	55x68x3,0 DIN 988	[—]
723	9.1001.0023.1	1	6008	
724	2.3217.0021.0	1		
725	9.1001.0062.5	1	6206 C4	

REF.	ONDERDEELNR. PART NUMBER REFERENCE TEILNUMMER	AANTAL QUANTITY QUANTITE ANZAHL		
------	--	--	--	--

726	9.1120.0005.4	2	62x2,00 DIN 472	
727	2.3217.0019.0	1		
728	9.1113.0013*5	6	M8x15 DIN 933-8.8	
729	9.1121.0010.1	6	A8 DIN 127	[—]
730	2.3217.0026.0	1		
731	2.3217.0020.0	1		
732	2.3217.0033.1	1	15/20	[T+T]
	2.3217.0035.1	(1)	16/19	[T+T]
733	9.1141.0009.1	2	M10x35 DIN 6336	
751	9.1030.0004*2	2	M10 DIN 985-8	
752	4.1217.0169.0	1		
753	9.1048.0051.3	2	A10,5 DIN 125	[—]
754	9.1113.0120*0	2	M10x30 DIN 933-8.8	
755	9.1150.0014.4	1	G1/8" Ontluchter / Breather Reniflard / Entlüfter	
756	9.1137.0405.2	1	Ø10,5x17x1,5 Cu	[—]
757	9.1170.0316.6	1	"Z1-Z2= ... RPM"	
799	4.1217.0150.1	1	= REF. 701-733	

LELY

	type number type number numéro de type Typnummer	vanaf serienummer as from serial number après numéro de serie ab Seriennummer
OPTIMO 205 C	4.1208.0020.1	958 - 0501



E029-04-01

REF.	ONDERDEELNR. PART NUMBER REFERENCE TEILNUMMER	AANTAL QUANTITY QUANTITE ANZAHL	
------	--	--	--

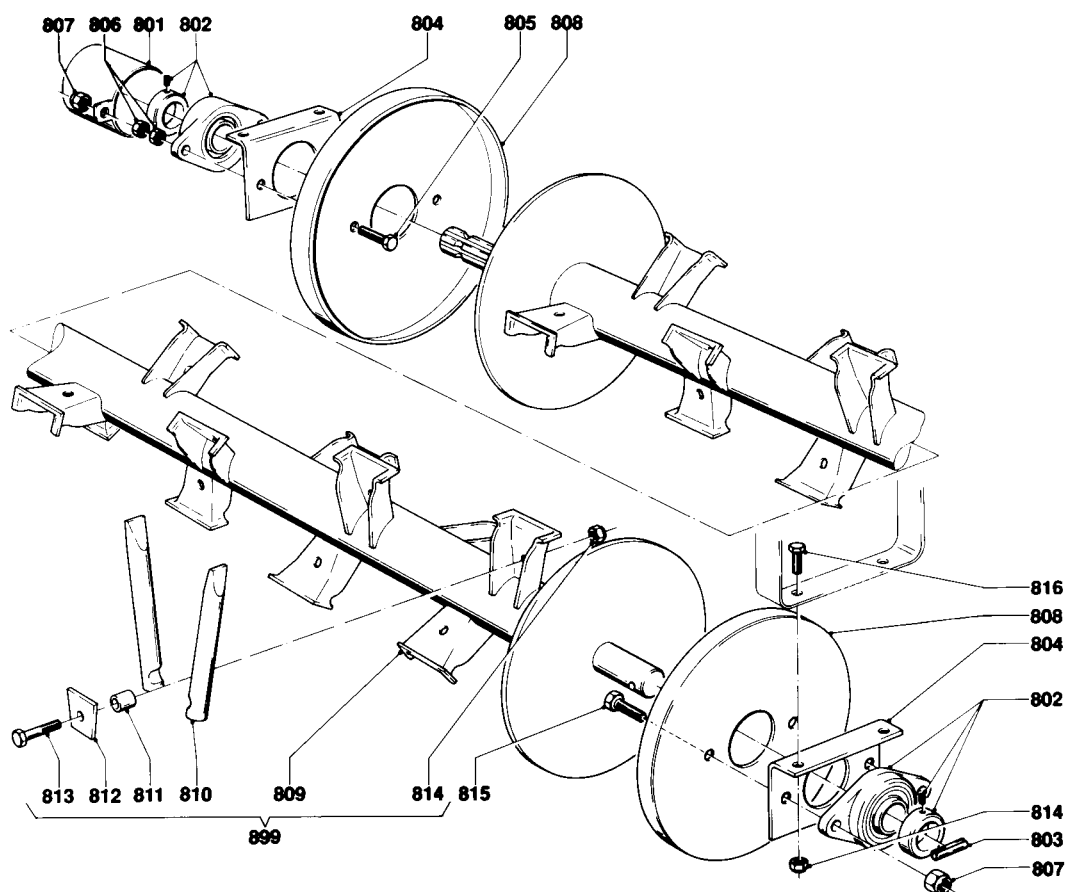
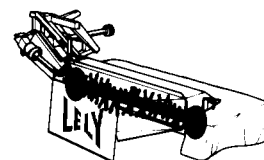
801	4.1207.0071.0	1	
802	9.1008.0018.3	2	FYTB 35FM-C3
803	9.1070.0027*6	1	Ø10x45 DIN 1481
804	4.1207.0086.0	2	
805	9.1113.0247*1	2	M14x70 DIN 933-8.8
806	9.1029.0012*4	4	M14 DIN 934-8
807	9.1030.0015*6	4	M14 DIN 985-8
808	4.1207.0087.0	2	
809	4.1208.0042.0	1	
810	4.1207.0090.0	66	
811	4.1207.0089.0	33	
812	4.1207.0088.0	33	
813	9.1113.0033*4	33	M10x45 DIN 931-8.8
814	9.1030.0004*2	33	M10 DIN 985-8
815	9.1113.0142.1	2	M14x40 DIN 933-8.8

REF.	ONDERDEELNR. PART NUMBER REFERENCE TEILNUMMER	AANTAL QUANTITY QUANTITE ANZAHL	
------	--	--	--

899	4.1208.0030.1	1	= REF. 809-814
-----	---------------	---	----------------



	type number type number numéro de type Typnummer	vanaf serienummer as from serial number après numéro de serie ab Seriennummer
OPTIMO 205 C	4.1208.0020.1	982 - 0501



E029-06-00

REF.	ONDERDEELNR. PART NUMBER REFERENCE TEILNUMMER	AANTAL QUANTITY QUANTITE ANZAHL
------	--	--

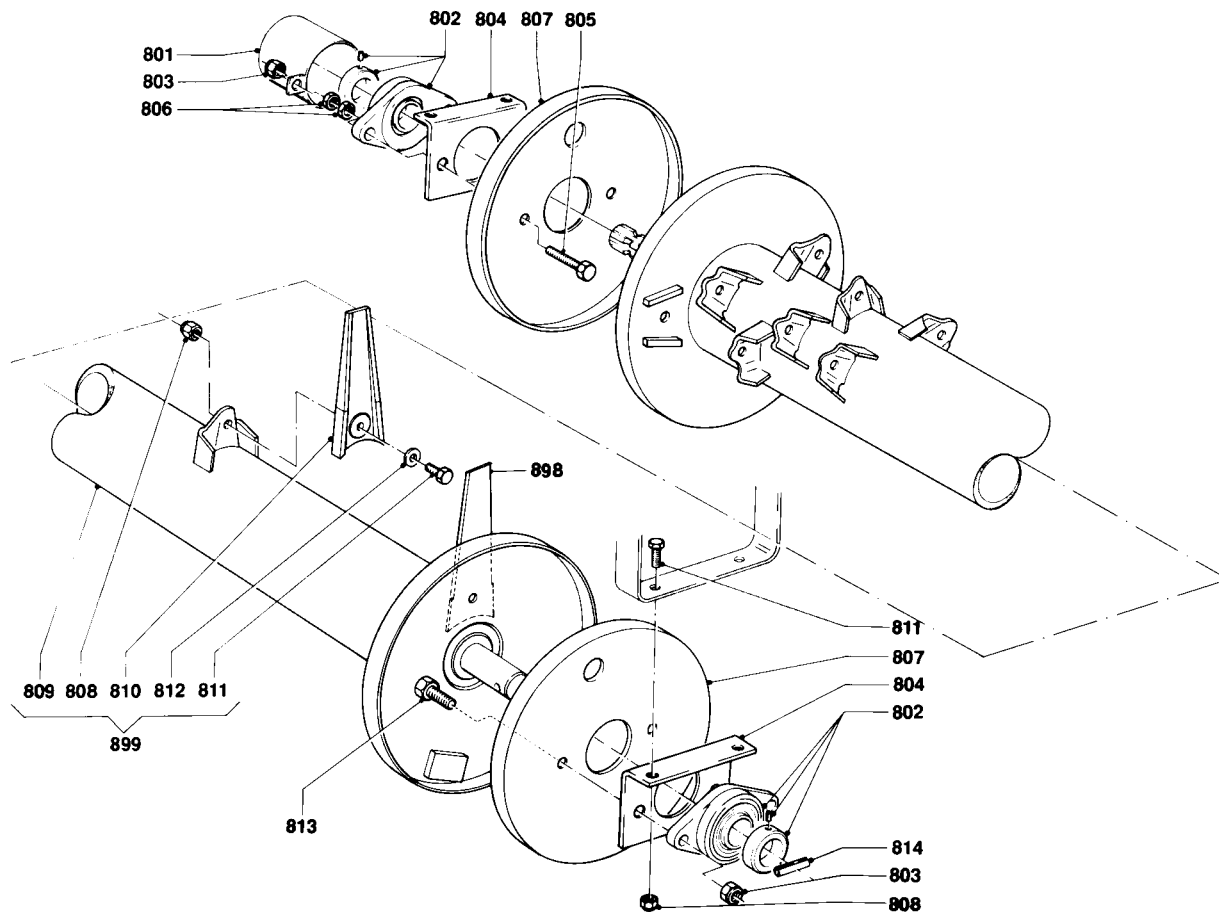
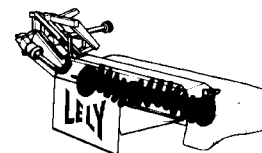
801	4.1207.0071.0	1
802	9.1008.0018.3	2
803	9.1070.0027*6	1
804	4.1217.0120.0	2
805	9.1113.0247*1	2
806	9.1029.0012*4	4
807	9.1030.0015*6	4
808	4.1207.0087.0	2
809	4.1208.0042.0	1
810	4.1207.0090.0	66
811	4.1207.0089.0	33
812	4.1207.0088.0	33
813	9.1113.0033*4	33
814	9.1030.0004*2	33+4
815	9.1113.0142.1	2
816	9.1113.0120*0	4

REF.	ONDERDEELNR. PART NUMBER REFERENCE TEILNUMMER	AANTAL QUANTITY QUANTITE ANZAHL
------	--	--

899	4.1208.0030.1	1 = REF. 809-814
-----	---------------	------------------



	type number type number numéro de type Typnummer	vanaf serienummer as from serial number après numéro de serie ab Seriennummer
OPTIMO 205 C	4.1208.0020.3	982 - 0501



E036-03-00

REF.	ONDERDEELNR. PART NUMBER REFERENCE TEILNUMMER	AANTAL QUANTITY QUANTITE ANZAHL	
------	--	--	--

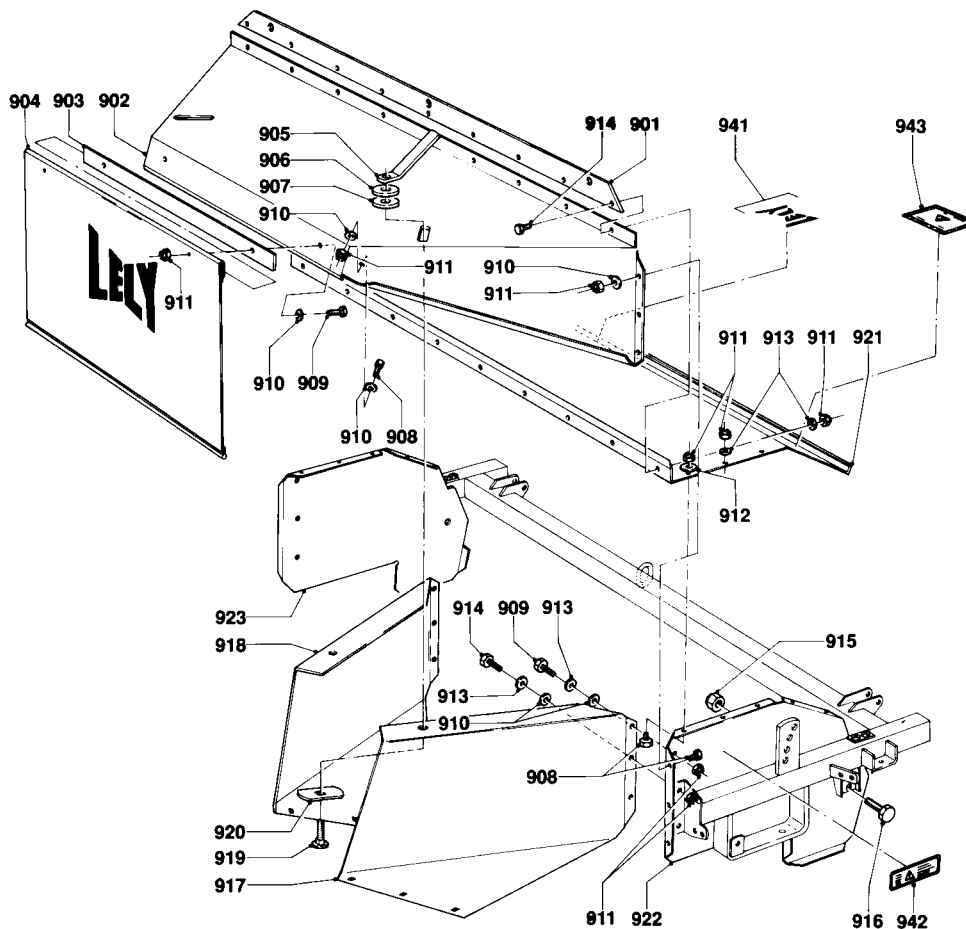
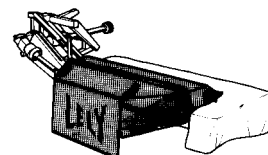
801	4.1207.0071.0	1	
802	9.1008.0018.3	2	FYTB 35FM-C3
803	9.1030.0015*6	4	M14 DIN 985-8
804	4.1217.0120.0	2	
805	9.1113.0247*1	2	M14x70 DIN 933-8.8
806	9.1029.0012*4	4	M14 DIN 934-8
807	4.1207.0229.0	2	
808	9.1030.0004*2	68+4	M10 DIN 985-8
809	4.1208.0100.0	1	
810	4.1207.0228.0	68	
811	9.1113.0029*0	66	M10x25 DIN 933-8.8
	9.1113.0120*0	2+4	M10x30 DIN 933-8.8
812	9.1048.0008*2	68	A10,5 DIN 9021 []
813	9.1113.0142*1	2	M14x40 DIN 933-8.8
814	9.1070.0039*4	1	Ø10x50 DIN 1481

REF.	ONDERDEELNR. PART NUMBER REFERENCE TEILNUMMER	AANTAL QUANTITY QUANTITE ANZAHL	
------	--	--	--

898	4.1207.0269.0	(1)	1x [R] Mes-kneusvinger 1x [R] Knife flail 1x [R] Fléau à couteau 1x [R] Messerschlegel
899	4.1208.0090.1	1	= REF. 808-812

LELY

	type nummer type number numéro de type Typnummer	vanaf serienummer as from serial number après numéro de serie ab Seriennummer
OPTIMO 205 C	4.1208.0020.1	958 - 0571
OPTIMO 205 C	4.1208.0020.3	982 - 0501



E027-04-01

REF.	ONDERDEELNR. PART NUMBER REFERENCE TEILNUMMER	AANTAL QUANTITY QUANTITE ANZAHL	
------	--	--	--

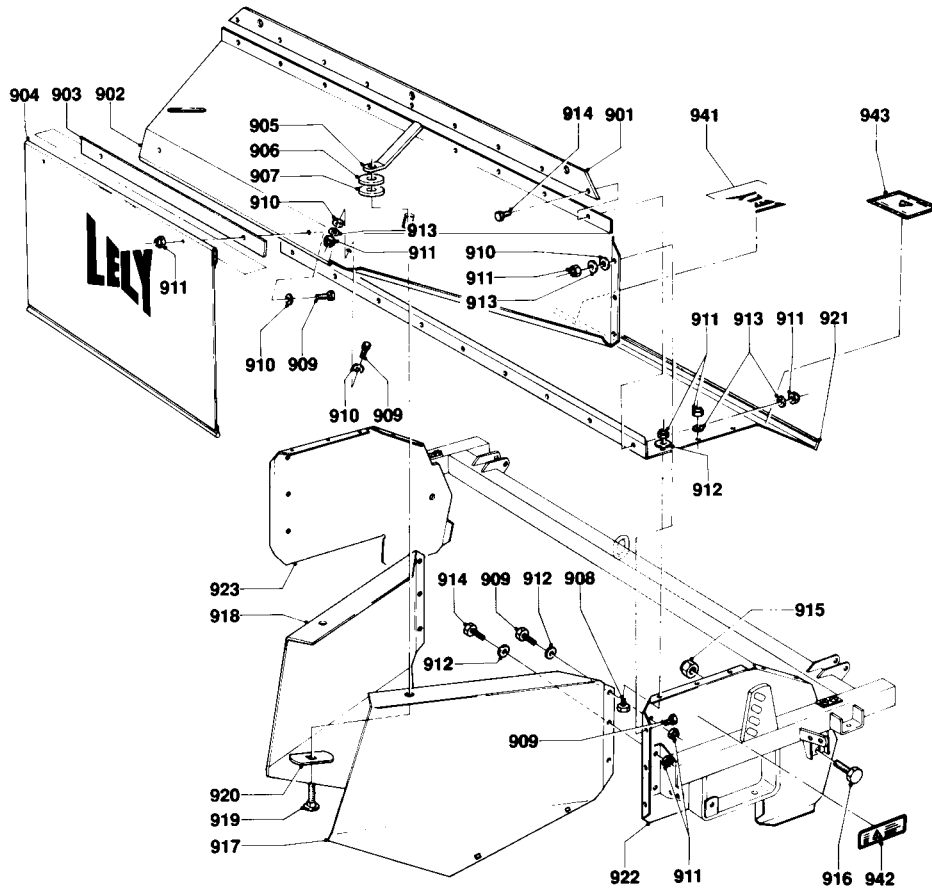
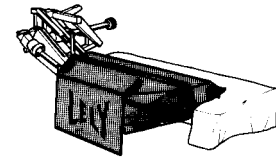
901	4.1208.0297.0	1	
902	4.1208.0285.0	1	
903	4.1208.0295.0	1	
904	4.1208.0294.0	1	
905	4.1207.0184.0	2	
906	9.1048.0041*0	2	A13 DIN 9021 [—]
907	9.1048.0067.5	2	A13 DIN 9021 Nylon [—]
908	9.1113.0013*5	18	M8x16 DIN 933-8.8
909	9.1113.0014*6	4	M8x20 DIN 933-8.8
910	9.1049.0014.0	18	M8 Nylon [—]
911	9.1030.0012*3	34	M8 DIN 985-8
912	9.1048.0005*6	4	A8,4 DIN 9021 [—]
913	9.1048.0004*5	21	8,4 DIN 125 [—]
914	9.1113.0128*1	13	M8x25 DIN 933-8.8
915	9.1030.0013*4	2	M12 DIN 985-8
916	9.1113.0049*6	2	M12x25 DIN 933-8.8
917	4.1208.0287.0	1	[R]
918	4.1208.0286.0	1	[L]
919	9.1058.0018*2	2	M12x30 DIN 603
920	4.1208.0292.0	2	
921	4.1208.0298.0	1	
922	4.1207.0102.0	1	[R]
923	4.1207.0101.0	1	[L]

REF.	ONDERDEELNR. PART NUMBER REFERENCE TEILNUMMER	AANTAL QUANTITY QUANTITE ANZAHL	
------	--	--	--

941	9.1170.0001.6	1	"LELY"
942	9.1170.0052.1	1	"LET OP DRAAIENDE DELEN"
943	9.1170.0124.3	1	"NEEM VEILIGHEID IN ACHT"



	type nummer type number numéro de type Typnummer	vanaf serienummer as from serial number après numéro de serie ab Seriennummer
OPTIMO 205 C	4.1208.0020.3	1008 - 0531



E027-05-00

REF.	ONDERDEELNR. PART NUMBER REFERENCE TEILNUMMER	AANTAL QUANTITY QUANTITE ANZAHL		
------	--	--	--	--

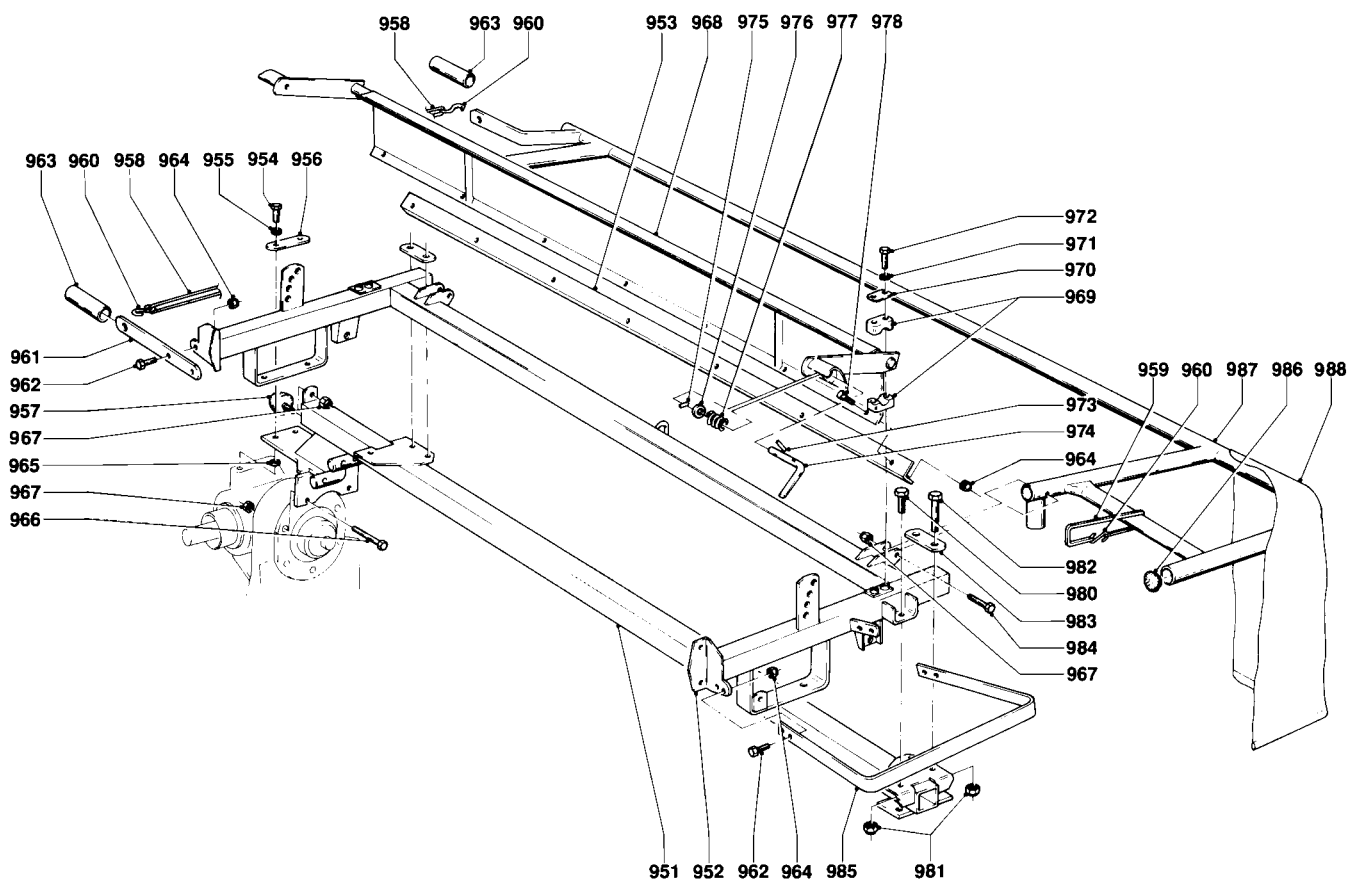
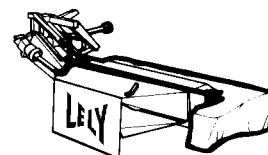
901	4.1208.0297.0	1		
902	4.1208.0285.0	1		
903	4.1208.0295.0	1		
904	4.1208.0294.0	1		
905	4.1207.0184.0	2		
906	9.1048.0041*0	2	A13 DIN 9021	[—]
907	9.1048.0067.5	2	A13 DIN 9021 Nylon	[—]
908	9.1113.0013*5	10	M8x16 DIN 933-8.8	
909	9.1113.0014*6	12	M8x20 DIN 933-8.8	
910	9.1049.0014.0	12	M8 Nylon	[—]
911	9.1030.0012*3	34	M8 DIN 985-8	
912	9.1048.0005*6	10	A8,4 DIN 9021	[—]
913	9.1048.0004*5	29	8,4 DIN 125	[—]
914	9.1113.0128*1	13	M8x25 DIN 933-8.8	
915	9.1030.0013*4	2	M12 DIN 985-8	
916	9.1113.0049*6	2	M12x25 DIN 933-8.8	
917	4.1207.0166.0	1	[R]	
918	4.1207.0174.0	1	[L]	
919	9.1058.0018*2	2	M12x30 DIN 603	
920	4.1208.0292.0	2		
921	4.1208.0298.0	1		
922	4.1207.0102.0	1	[R]	
923	4.1207.0101.0	1	[L]	

REF.	ONDERDEELNR. PART NUMBER REFERENCE TEILNUMMER	AANTAL QUANTITY QUANTITE ANZAHL	
------	--	--	--

941	9.1170.0001.6	1	"LELY"
942	9.1170.0052.1	1	"LET OP DRAAIENDE DELEN"
943	9.1170.0124.3	1	"NEEM VEILIGHEID IN ACHT"



	type nummer type number numéro de type Typnummer	vanaf serienummer as from serial number après numéro de serie ab Seriennummer
OPTIMO 205 C	4.1208.0020.1	958 - 0501



E046-02-50

REF.	ONDERDEELNR. PART NUMBER REFERENCE TEILNUMMER	AANTAL QUANTITY QUANTITE ANZAHL
------	--	--

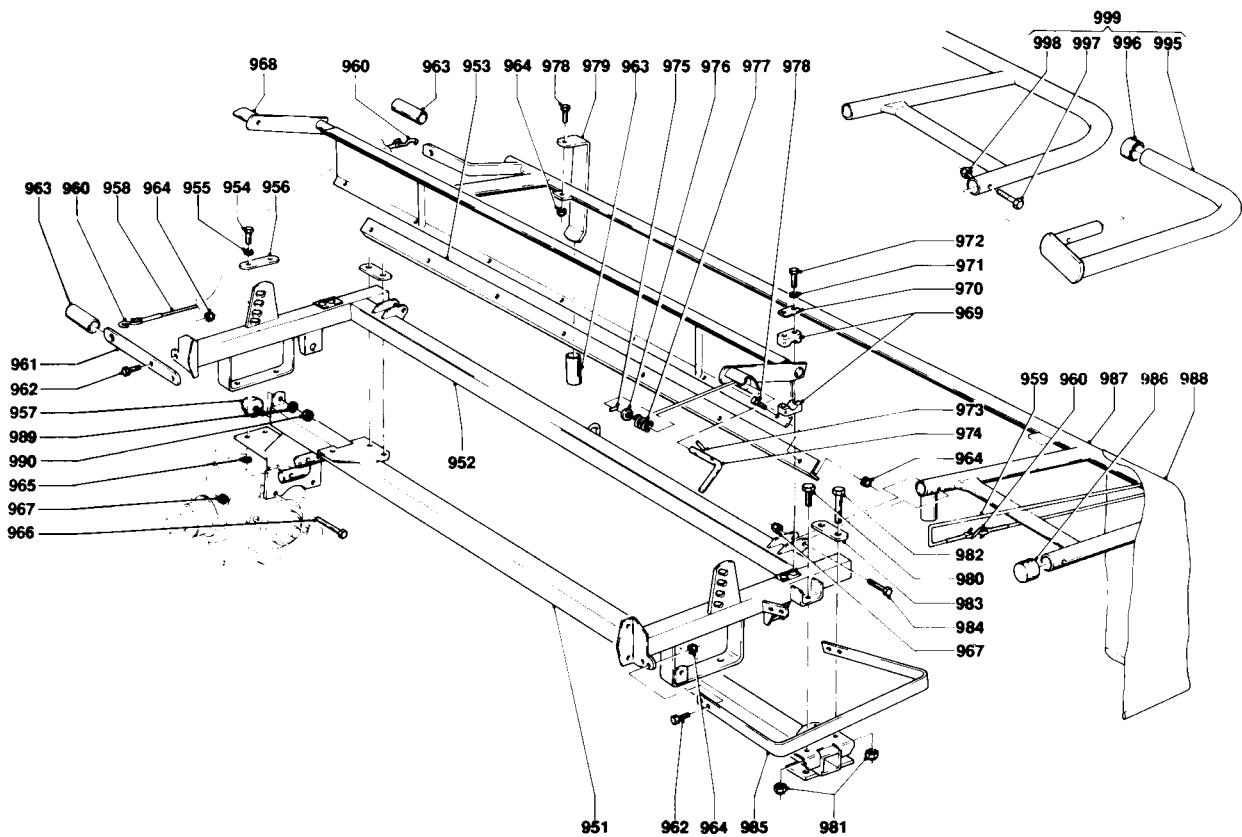
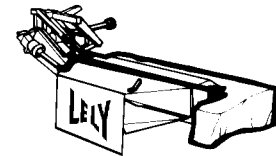
951	4.1208.0330.0	1
952	4.1208.0063.0	1
953	4.1208.0288.0	1
954	9.1113.0178*2	2
955	9.1051.0005*3	2
956	4.1201.1479.0	1
957	9.1105.0001.1	2
958	9.1054.0003.5	3
959	9.1054.0004.6	2
960	9.1147.0005*5	5
961	4.1207.0185.0	1
962	9.1113.0130*3	6
963	4.1207.2079.0	2
964	9.1030.0012*3	13
965	9.1048.0053*5	2
966	9.1113.0156*1	2
967	9.1030.0004*2	7
968	4.1208.0071.0	1
969	9.1137.0904.4	2
970	9.1137.0905.5	2
971	9.1051.0006.4	4
972	9.1113.0106*0	4
973	9.1070.0017*3	2
974	4.1207.0188.0	2
975	9.1070.0049*0	2

REF.	ONDERDEELNR. PART NUMBER REFERENCE TEILNUMMER	AANTAL QUANTITY QUANTITE ANZAHL
------	--	--

976	9.1048.0012*6	2
977	4.1002.0093.0	2
978	9.1113.0014*6	6
980	9.1113.0125*5	2
981	9.1030.0013*4	6
982	9.1113.0063*6	4
983	4.1207.0190.0	2
984	9.1113.0038*2	2
985	4.1207.0195.0	1
986	9.1108.0059.1	2
987	4.1208.0081.0	1
988	4.1208.0289.0	1



	type nummer type number numéro de type Typnummer	vanaf serienummer as from serial number après numéro de serie ab Seriennummer
OPTIMO 205 C	4.1208.0020.1	982 - 0501
OPTIMO 205 C	4.1208.0020.3	982 - 0501



E046-05-00

REF.	ONDERDEELNR. PART NUMBER REFERENCE TEILNUMMER	AANTAL QUANTITY QUANTITE ANZAHL
------	--	--

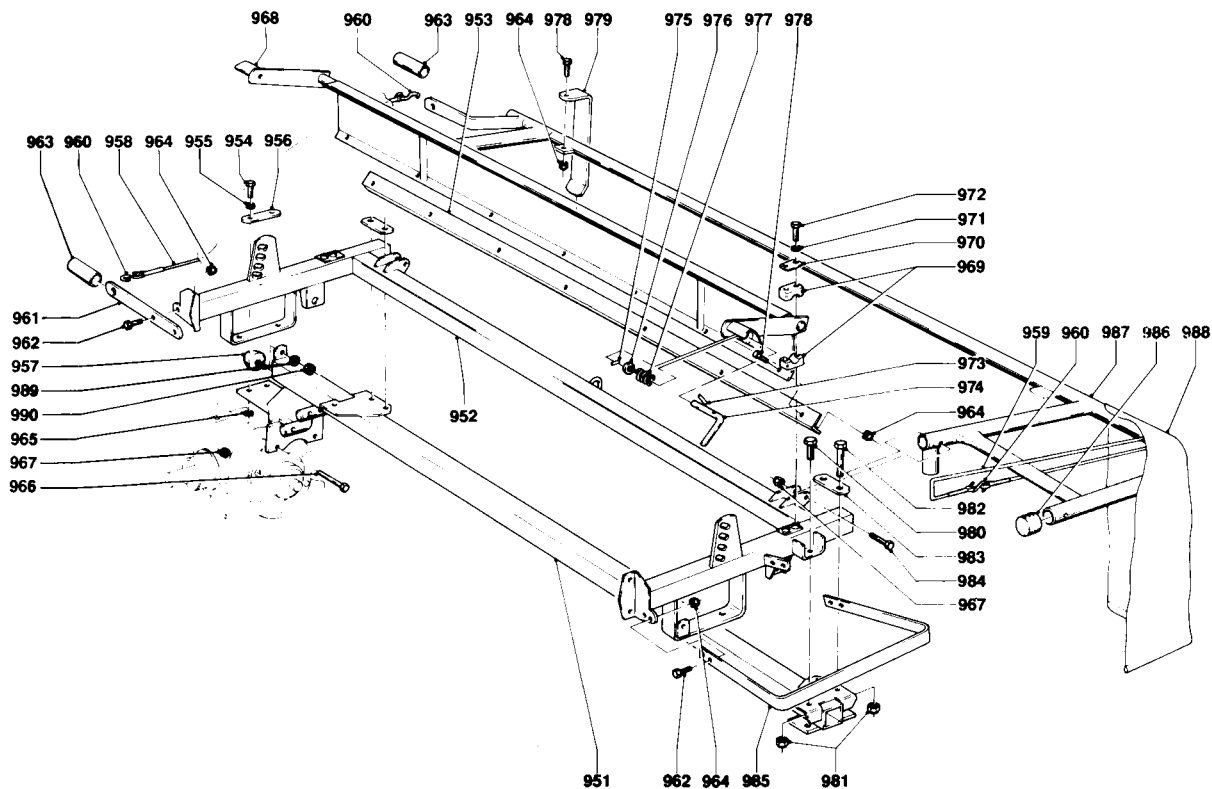
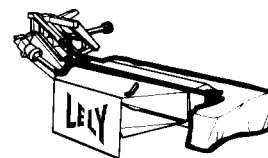
951	4.1208.0330.0	1
952	4.1208.0063.0	1
953	4.1208.0288.0	1
954	9.1113.0178*2	2 M14x35 DIN 933-10.9
955	9.1051.0005*3	2 A14,5 DIN 6798 [//////]
956	4.1201.1479.0	1
957	9.1105.0011.4	2 M10x32
958	4.1207.1493.0	1 Ø8 L= 580 mm
959	4.1207.0175.0	2 Ø8 L= 690 mm
960	9.1147.0005*5	4
961	4.1207.0185.0	1
962	9.1113.0130*3	6 M8x30 DIN 933-8.8
963	4.1207.2079.0	5
964	9.1030.0012*3	16 M8 DIN 985-8
965	9.1048.0053*5	2 A15 DIN 125 [——]
966	9.1113.0156*1	2 M10x85 DIN 931-10.9
967	9.1030.0004*2	4 M10 DIN 985-8
968	4.1208.0071.0	1
969	9.1137.0904.4	2 Cpl.
970	9.1137.0905.5	2
971	9.1051.0006.4	4 A6,4 DIN 6798 [//////]
972	9.1113.0106*0	4 M6x40 DIN 931-8.8
973	9.1070.0017*3	2 Ø6x30 DIN 1481
974	4.1207.0188.0	2
975	9.1070.0049*0	2 Ø6x24 DIN 1481

REF.	ONDERDEELNR. PART NUMBER REFERENCE TEILNUMMER	AANTAL QUANTITY QUANTITE ANZAHL
------	--	--

976	9.1048.0012*6	2 A13 DIN 125 [——]
977	4.1002.0093.0	2
978	9.1113.0014*6	9 M8x20 DIN 933-8.8
979	4.1211.0287.0	3
980	9.1113.0125*5	2 M12x35 DIN 933-8.8
981	9.1030.0013*4	6 M12 DIN 985-8
982	9.1113.0063*6	4 M12x85 DIN 931-8.8
983	4.1207.0190.0	2
984	9.1113.0038*2	2 M10x60 DIN 931-8.8
985	4.1207.0195.0	1
986	9.1108.0059.1	2 Ø34
987	4.1208.0081.0	1
988	4.1208.0289.0	1
989	9.1051.0002*0	1 A10,5 DIN 6798 [//////]
990	9.1029.0005*4	1 M10 DIN 934-8
995	4.1201.2430.0	1
996	9.1108.0059.1	1 Ø34
997	9.1113.0035*6	1 M10x50 DIN 931-8.8
998	9.1030.0004*2	1 M10 DIN 985-8
999	4.1201.2440.0	1 = REF. 995-998 Zeilgeleider Cover protection bracket Protection bâche Planenschutzbügel



	type nummer type number numéro de type Typnummer	vanaf serienummer as from serial number après numéro de serie ab Seriennummer
OPTIMO 205 C	4.1208.0020.3	1008 - 0531



E046-05-10

REF.	ONDERDEELNR. PART NUMBER REFERENCE TEILNUMMER	AANTAL QUANTITY QUANTITE ANZAHL
------	--	--

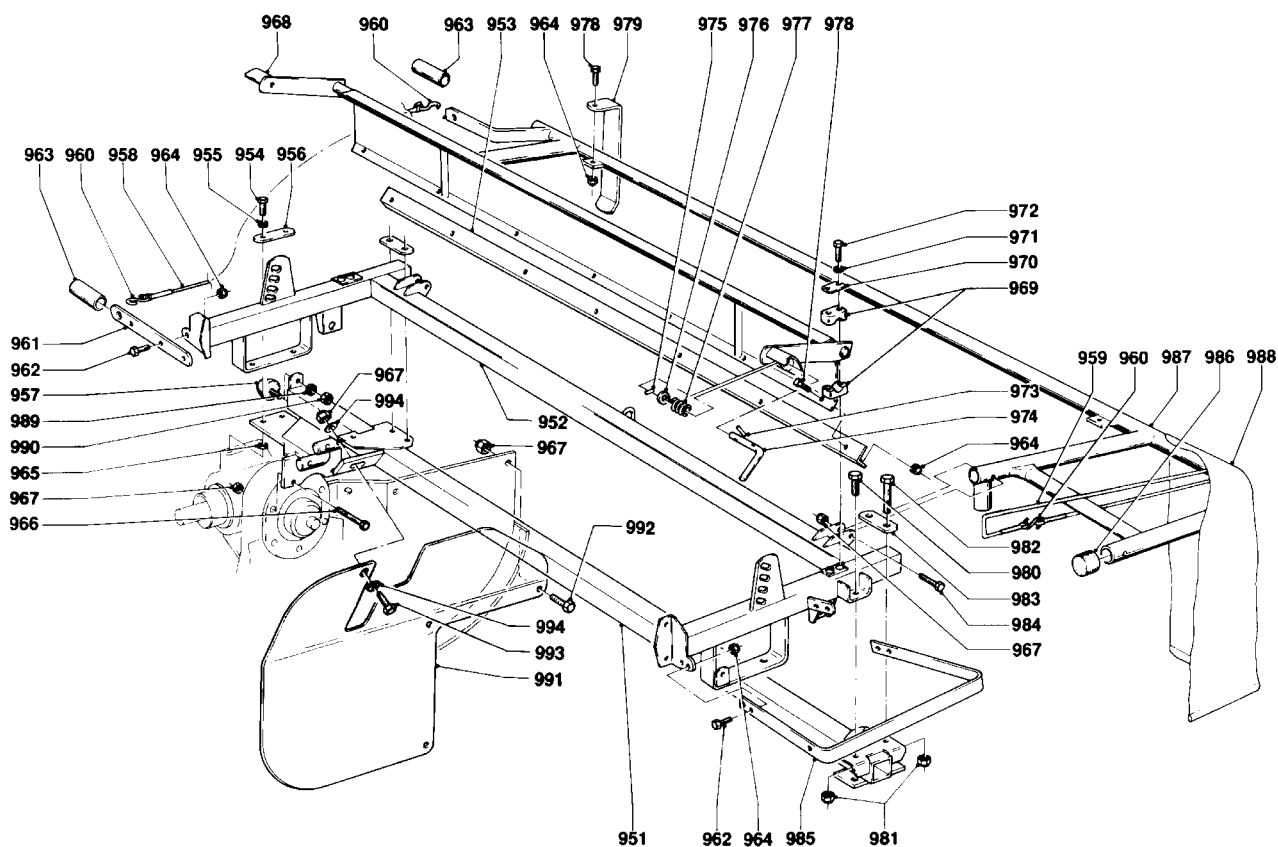
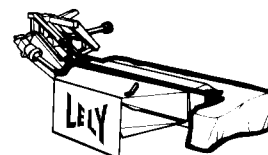
951	4.1208.0330.0	1
952	4.1208.0063.0	1
953	4.1208.0288.0	1
954	9.1113.0178*2	2 M14x35 DIN 933-10.9
955	9.1051.0005*3	2 A14,5 DIN 6798 [//////]
956	4.1201.1479.0	1
957	9.1105.0011.4	2 M10x32
958	4.1210.1498.0	1 Ø10 L= 700 mm
959	4.1207.0175.0	2 Ø8 L= 690 mm
960	9.1147.0005*5	4
961	4.1207.0185.0	1
962	9.1113.0130*3	6 M8x30 DIN 933-8.8
963	4.1207.2079.0	3
964	9.1030.0012*3	16 M8 DIN 985-8
965	9.1048.0053*5	2 A15 DIN 125 [——]
966	9.1113.0156*1	2 M10x85 DIN 931-10.9
967	9.1030.0004*2	4 M10 DIN 985-8
968	4.1208.0071.0	1
969	9.1137.0904.4	2 Cpl.
970	9.1137.0905.5	2
971	9.1051.0006.4	4 A6,4 DIN 6798 [//////]
972	9.1113.0106*0	4 M6x40 DIN 931-8.8
973	9.1070.0017*3	2 Ø6x30 DIN 1481
974	4.1207.0188.0	2
975	9.1070.0049*0	2 Ø6x24 DIN 1481

REF.	ONDERDEELNR. PART NUMBER REFERENCE TEILNUMMER	AANTAL QUANTITY QUANTITE ANZAHL
------	--	--

976	9.1048.0012*6	2 A13 DIN 125 [——]
977	4.1002.0093.0	2
978	9.1113.0014*6	9 M8x20 DIN 933-8.8
979	4.1211.0287.0	3
980	9.1113.0125*5	2 M12x35 DIN 933-8.8
981	9.1030.0013*4	6 M12 DIN 985-8
982	9.1113.0063*6	4 M12x85 DIN 931-8.8
983	4.1207.0190.0	2
984	9.1113.0038*2	2 M10x60 DIN 931-8.8
985	4.1207.0195.0	1
986	9.1108.0059.1	2 Ø34
987	4.1208.0081.0	1
988	4.1208.0289.0	1
989	9.1051.0002*0	1 A10,5 DIN 6798 [//////]
990	9.1029.0005*4	1 M10 DIN 934-8

LELY

	type nummer type number numéro de type Typnummer	vanaf serienummer as from serial number après numéro de serie ab Seriennummer
OPTIMO 205 C	4.1208.0020.3	10110 - 0501



E046-06-01

REF.	ONDERDEELNR. PART NUMBER REFERENCE TEILNUMMER	AANTAL QUANTITY QUANTITE ANZAHL	
------	--	--	--

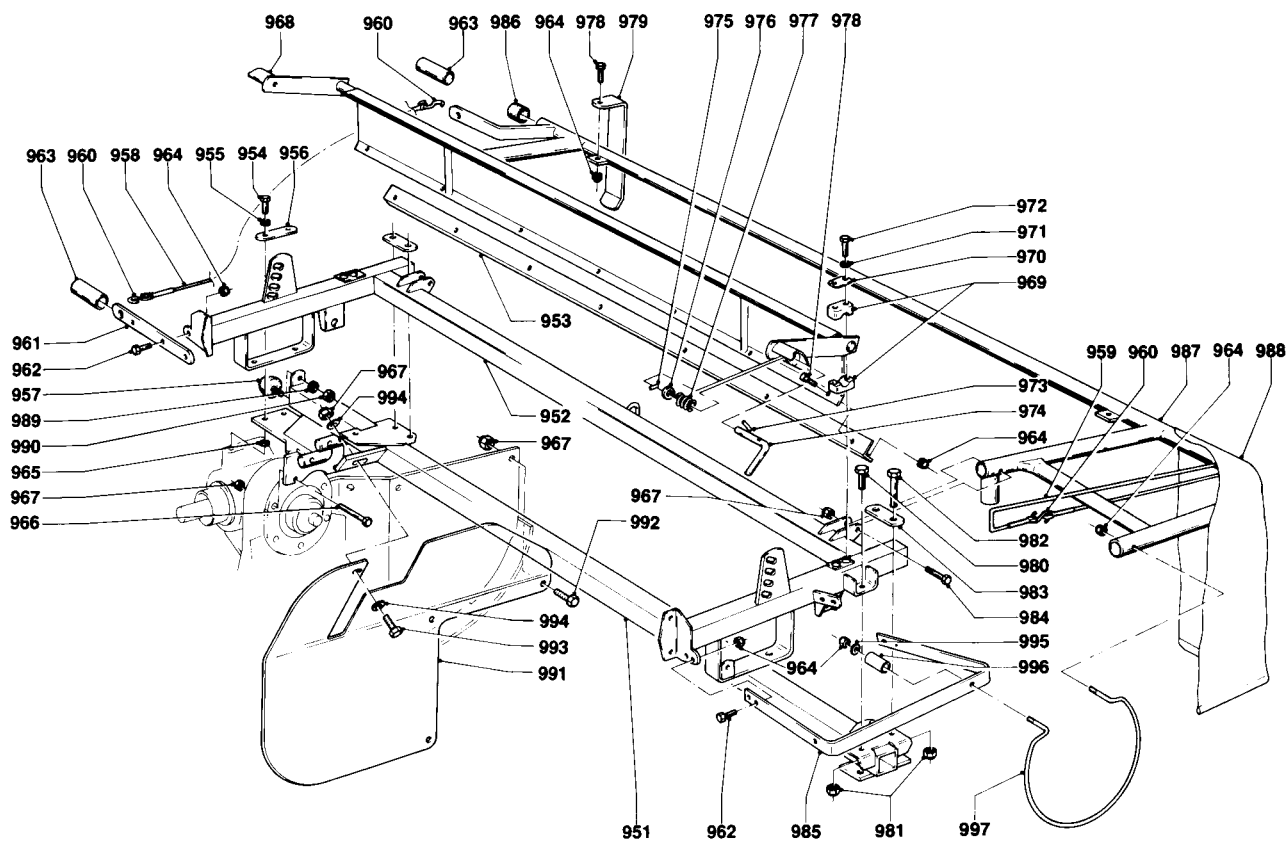
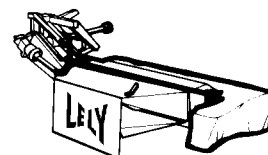
951	4.1208.0331.0	1	
952	4.1208.0063.0	1	
953	4.1208.0288.0	1	
954	9.1113.0178*2	2	M14x35 DIN 933-10.9
955	9.1051.0005*3	2	A14,5 DIN 6798 [//////]
956	4.1201.1479.0	1	
957	9.1105.0011.4	2	M10x28
958	4.1210.1498.0	1	Ø8 L= 700 mm
959	4.1207.0175.0	2	Ø8 L= 690 mm
960	9.1147.0005*5	4	
961	4.1207.0185.0	1	
962	9.1113.0130*3	6	M8x30 DIN 933-8.8
963	4.1207.2079.0	2	
964	9.1030.0012*3	15	M8 DIN 985-8
965	9.1048.0053*5	2	A15 DIN 125 [_____]
966	9.1113.0156*1	2	M10x85 DIN 931-10.9
967	9.1030.0004*2	8	M10 DIN 985-8
968	4.1208.0071.0	1	
969	9.1137.0904.4	2	Cpl.
970	9.1137.0905.5	2	
971	9.1051.0006.4	4	A6,4 DIN 6798 [//////]
972	9.1113.0106*0	4	M6x40 DIN 931-8.8
973	9.1070.0017*3	2	Ø6x30 DIN 1481
974	4.1207.0188.0	2	
975	9.1070.0049*0	2	Ø6x24 DIN 1481

REF.	ONDERDEELNR. PART NUMBER REFERENCE TEILNUMMER	AANTAL QUANTITY QUANTITE ANZAHL	
------	--	--	--

976	9.1048.0012*6	2	A13 DIN 125 [_____]
977	4.1002.0093.0	2	
978	9.1113.0014*6	9	M8x20 DIN 933-8.8
979	4.1211.0287.0	3	
980	9.1113.0125*5	2	M12x35 DIN 933-8.8
981	9.1030.0013*4	6	M12 DIN 985-8
982	9.1113.0063*6	4	M12x85 DIN 931-8.8
983	4.1207.0190.0	2	
984	9.1113.0038*2	2	M10x60 DIN 931-8.8
985	4.1207.0195.0	1	
986	9.1108.0059.1	2	Ø34
987	4.1208.0081.0	1	
988	4.1208.0289.0	1	
989	9.1051.0002*0	1	A10,5 DIN 6798 [//////]
990	9.1029.0005*4	1	M10 DIN 934-8
991	4.1207.1489.0	1	
992	9.1113.0027*5	3	M10x20 DIN 933-8.8
993	9.1113.0029*0	1	M10x25 DIN 933-8.8
994	9.1048.0007*1	2	A10,5 DIN 125 [_____]

LELY

	type nummer type number numéro de type Typnummer	vanaf serienummer as from serial number après numéro de serie ab Seriennummer
OPTIMO 205 C	4.1208.0020.3	10303 - 0611



E046-07-00

REF.	ONDERDEELNR. PART NUMBER REFERENCE TEILNUMMER	AANTAL QUANTITY QUANTITE ANZAHL
------	--	--

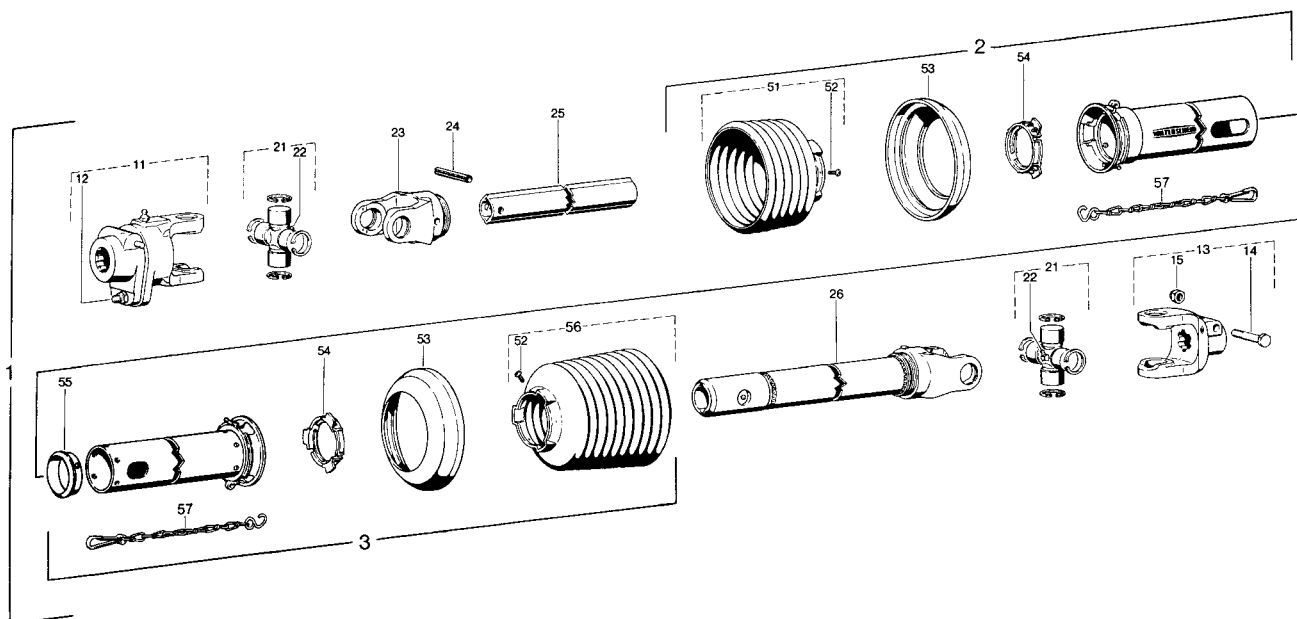
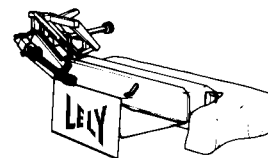
951	4.1208.0331.0	1
952	4.1208.0063.0	1
953	4.1208.0288.0	1
954	9.1113.0178*2	2 M14x35 DIN 933-10.9
955	9.1051.0005*3	2 A14,5 DIN 6798 [//////]
956	4.1201.1479.0	1
957	9.1105.0011.4	2 M10x28
958	4.1210.1498.0	1 Ø8 L= 700 mm
959	4.1207.0175.0	2 Ø8 L= 690 mm
960	9.1147.0005*5	4
961	4.1207.0185.0	1
962	9.1113.0130*3	6 M8x30 DIN 933-8.8
963	4.1207.2079.0	2
964	9.1030.0012*3	17 M8 DIN 985-8
965	9.1048.0053*5	2 A15 DIN 125 [—]
966	9.1113.0156*1	2 M10x85 DIN 931-10.9
967	9.1030.0004*2	8 M10 DIN 985-8
968	4.1208.0071.0	1
969	9.1137.0904.4	2 Cpl.
970	9.1137.0905.5	2
971	9.1051.0006.4	4 A6,4 DIN 6798 [//////]
972	9.1113.0106*0	4 M6x40 DIN 931-8.8
973	9.1070.0017.3	2 Ø6x30 DIN 1481
974	4.1207.0188.0	2
975	9.1070.0049.0	2 Ø6x24 DIN 1481

REF.	ONDERDEELNR. PART NUMBER REFERENCE TEILNUMMER	AANTAL QUANTITY QUANTITE ANZAHL
------	--	--

976	9.1048.0012*6	2 A13 DIN 125 [—]
977	4.1002.0093.0	2
978	9.1113.0014*6	9 M8x20 DIN 933-8.8
979	4.1211.0287.0	3
980	9.1113.0125*5	2 M12x35 DIN 933-8.8
981	9.1030.0013*4	6 M12 DIN 985-8
982	9.1113.0063*6	4 M12x85 DIN 931-8.8
983	4.1207.0190.0	2
984	9.1113.0038*2	2 M10x60 DIN 931-8.8
985	4.1207.0195.0	1
986	9.1108.0059.1	1 Ø34
987	4.1208.0081.0	1
988	4.1208.0289.0	1
989	9.1051.0002*0	1 A10,5 DIN 6798 [//////]
990	9.1029.0005*4	1 M10 DIN 934-8
991	4.1207.1489.0	1
992	9.1113.0027*5	3 M10x20 DIN 933-8.8
993	9.1113.0029*0	1 M10x25 DIN 933-8.8
994	9.1048.0007*1	2 A10,5 DIN 125 [—]
995	9.1048.0004*5	1 A8,4 DIN 125 [—]
996	9.1073.0014.4	1
997	4.1210.1496.0	1



	type nummer type number número de type Typnummer	vanaf serienummer as from serial number après numéro de serie ab Seriennummer
OPTIMO 205 C	4.1208.0020.1	933 - 0501
OPTIMO 205 C	4.1208.0020.3	982 - 0501



Ew002-02-01

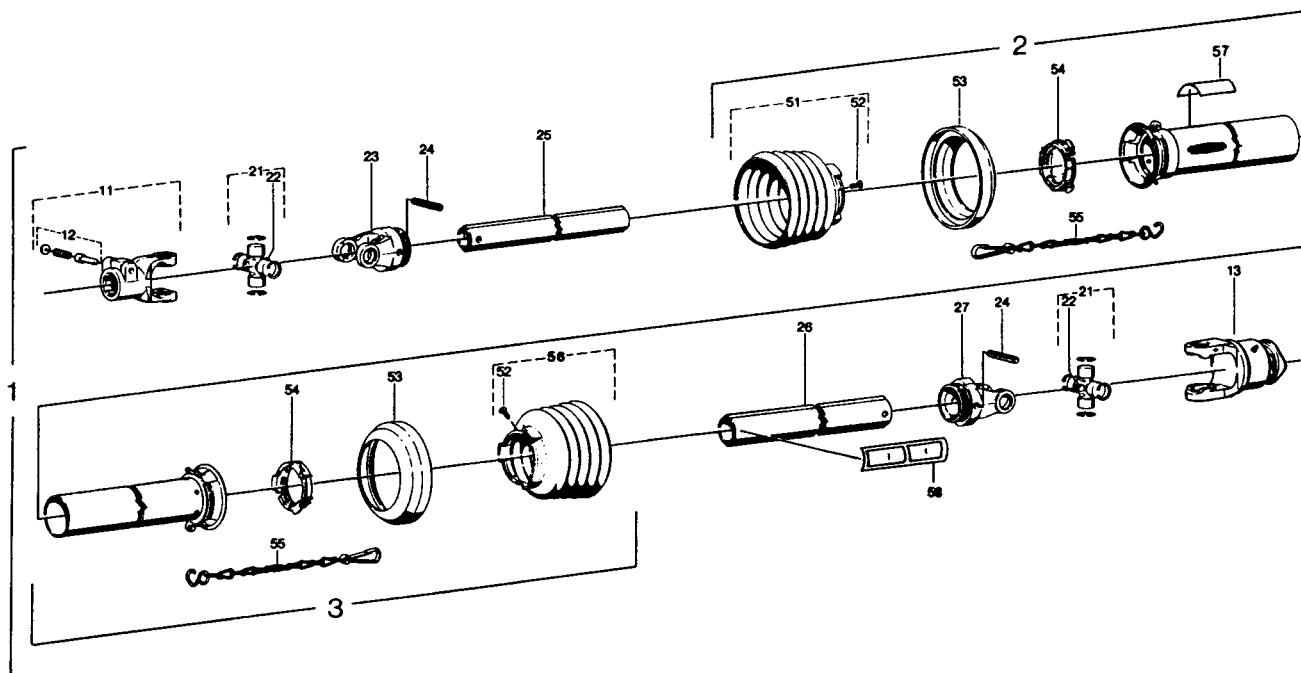
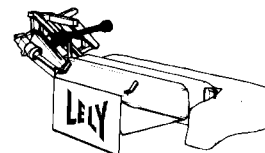
REF.	ONDERDEELNR. PART NUMBER REFERENCE TEILNUMMER	AANTAL QUANTITY QUANTITE ANZAHL	
------	--	--	--

1	9.1154.0098.0	1	W2200N-SC15Z-550-K61/1 = REF. 2-57
2	85.117	1	SDH 15-A; L= 380 mm
3	85.121	1	SDH 15Z-J; L= 375 mm
11	57.100.12	1	K61/1 - 1.1/8" (6) M= 910Nm
12	9.1113.0205*1	10	M8x35 DIN 933-8.8
	9.1030.0012*3	10	M8 DIN 985-8
13	20.10.02	1	1.3/8" (6)
14	9.1113.0057*0	1	M12x60 DIN 931-8.8
15	9.1030.0013*4	1	M12 DIN 985-8
21	20.00.00	2	
22	63.27.00	2	M8x1
23	20.11.00	1	RG 2200-Ov
24	61.05.04	1	Ø10x65 DIN 1481
25	75.11.66	1	Ov geh.; L= 470 mm
26	20.12.132	1	WELG 2200-1n; L= 475 mm
51	85.15.04	1	n= 4
52	60.15.00	2	4x10
53	82.85.00	2	
54	82.83.06	2	
55	82.83.106	1	SC 15 Z
56	85.15.10	1	n= 10
57	82.36.03	2	

REF.	ONDERDEELNR. PART NUMBER REFERENCE TEILNUMMER	AANTAL QUANTITY QUANTITE ANZAHL	
------	--	--	--

LELY

	type number type number numéro de type Typnummer	vanaf serienummer as from serial number après numéro de serie ab Seriennummer
OPTIMO 205 C	4.1208.0300.1	960 - 0501
OPTIMO 205 C	4.1208.0301.1	982 - 0501
OPTIMO 205 C	4.1208.0303.1	10110 - 0501



Ew001-04-00

REF.	ONDERDEELNR. PART NUMBER REFERENCE TEILNUMMER	AANTAL QUANTITY QUANTITE ANZAHL	
------	--	--	--

1 9.1154.0083.6 1 W2400-SD25-860-F5/1R
= REF. 2-58

2 85.207 1 SDH25; L= 595 mm
3 85.204 1 SDH25; L= 590 mm

11 35.10.00 1 1.3/8" (6)
12 33.91.07 1 AGRASET 101
13 56.144.40 1 F5/1R-2400-1.3/8" (6)

21 35.00.00 2
22 63.27.00 2 M8x1
23 35.13.00 1 RG2400-1b
24 61.05.08 2 Ø10x80 DIN 1481
25 75.25.95 1 1bGA; L= 740 mm
26 75.36.15 1 2aG; L= 715 mm
27 35.14.00 1 RG2400-2a

51 85.25.06 1 n= 6
52 60.15.00 2 4x10
53 82.85.00 2
54 82.83.04 2
55 82.36.03 2

56 85.25.08 1 n= 8
57 38.33.33 1 "DANGER-ROTATING DRIVELINE"
58 38.33.34 1 "DANGER-SHIELD MISSING
DO NOT OPERATE"

REF.	ONDERDEELNR. PART NUMBER REFERENCE TEILNUMMER	AANTAL QUANTITY QUANTITE ANZAHL	
------	--	--	--