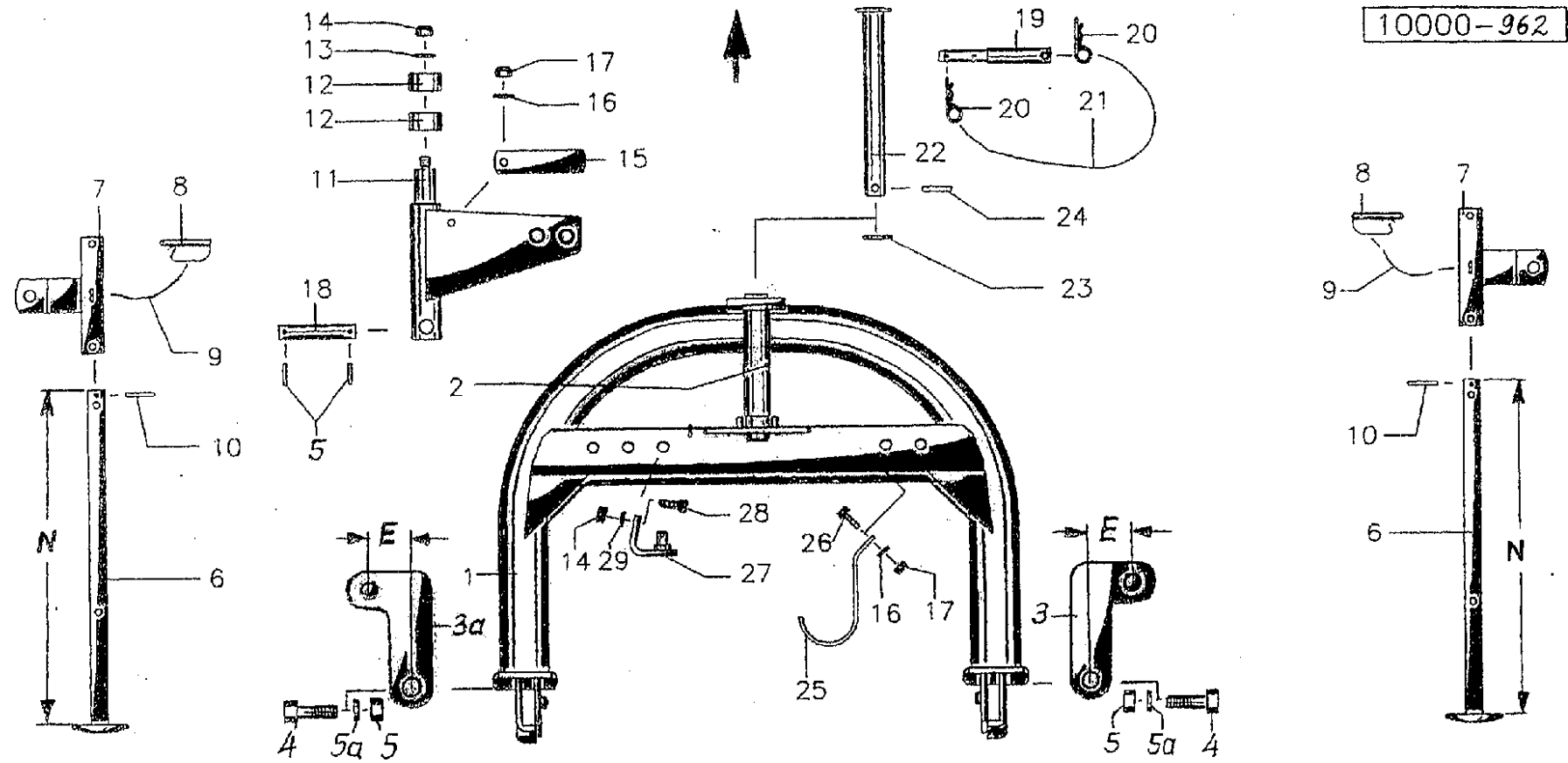


Table Of Contents

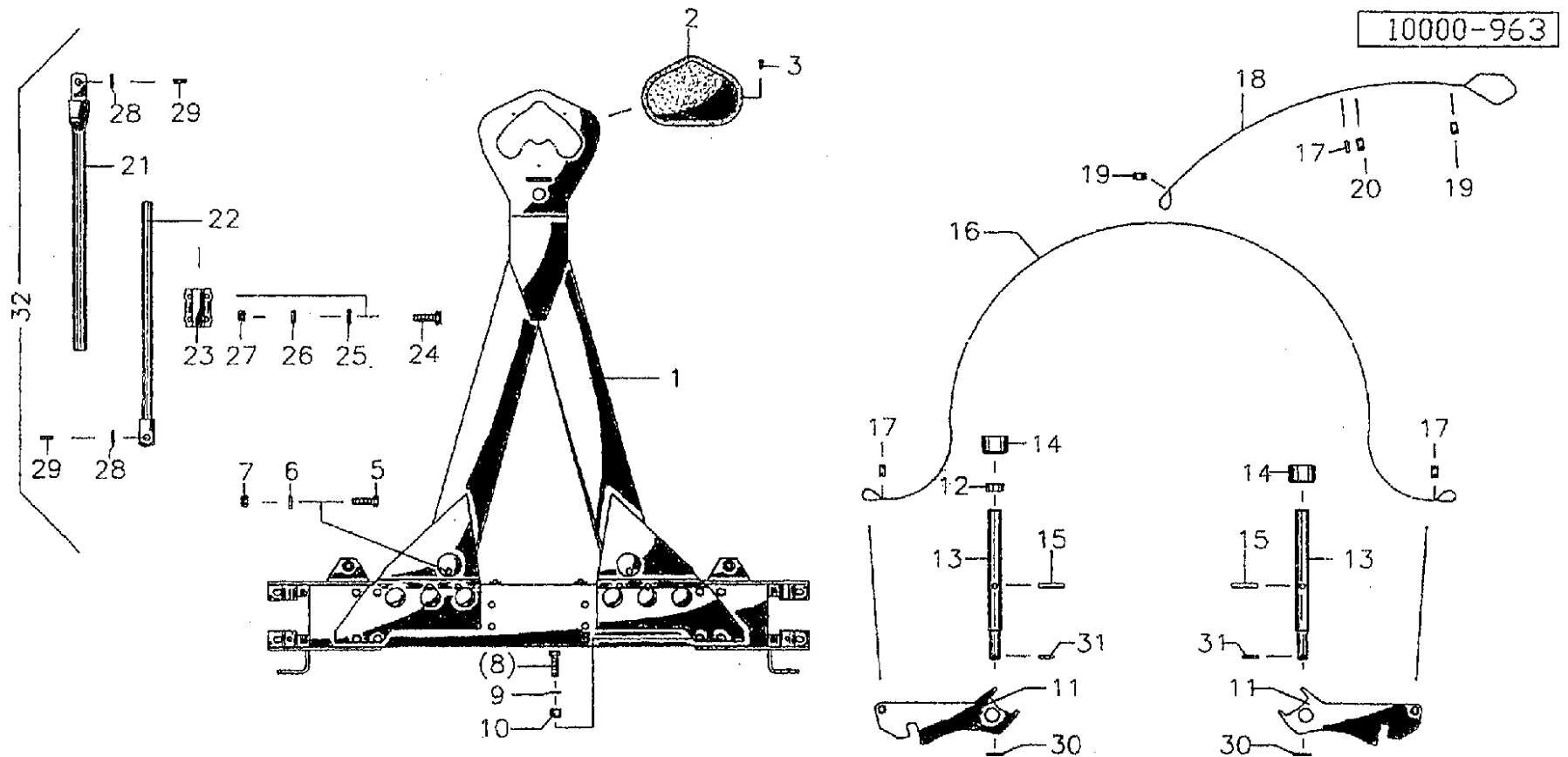
3 Point Headstock	2
Hitch Frame	4
Center Section Gearbox	6
Center Section Gearbox	8
Intermediate Frame Section	10
Outer Frame Section	12
Outer Frame Section	14
Folding Hydraulics	16
Rotors	18
Tine Arms	20
Angle Adjustment	22
Tires	24
Safety Frames	26
Safety Frames	28
PTO Shaft - 612.098	30
Transport Chassis	32
Transport Chassis Hydraulics	34
Angle Adjustment Hydraulics	36
Reduction Gearbox - Tine Savers	38
Depth Control Wheel	40
Decals	42
Decals	44



3 Point Headstock

3 Point Headstock

Item	Part Number	Description	Serial # Ranges	HR-785DH	Notes
1	15807	3 Point Headstock		X	
2	570.265	Grease Fitting		X	H1S 8 X 1
3	15668	Bracket		X	E=77
3a	15669	Bracket		X	E=77
4	500.544	Hex Bolt		X	M20 X 80
5	510.523	Hex Nut		X	M20
5a	520.143	Washer		X	21 X 33 X 2.5
6	15863	Support		X	N=770
7	15760	Bracket		X	
8	570.233	Plug Connector		X	10 V
9	15050	Rope		X	L=500
10	530.209	Tension Pin		X	6 X 45
11	15759	Roller Axle		X	
12	541.740	Feed Roller		X	50 X 30
13	520.105	Washer		X	16.5 X 45 X 3
14	510.521	Hex Nut		X	M16
15	15809	Stop		X	
16	560.707	Spring Washer		X	28 X 12.2 X 1.5
17	510.451	Hex Nut		X	M12
18	10965	Axle		X	
19	11732	Top Link Pin		X	
20	570.226	Spring Clip		X	4
21	15049	Rope		X	L=1250
22	13062	Pin		X	
23	520.224	Washer		X	31.5 X 45 X 5
24	530.150	Tension Pin		X	12 X 50
25	10494	Support		X	
26	500.787	Hex Bolt		X	M12 X 35
27	15844	Bracket		X	
28	500.837	Hex Bolt		X	M16 X 40
29	520.614	Washer		X	16 X 32 X 2.5

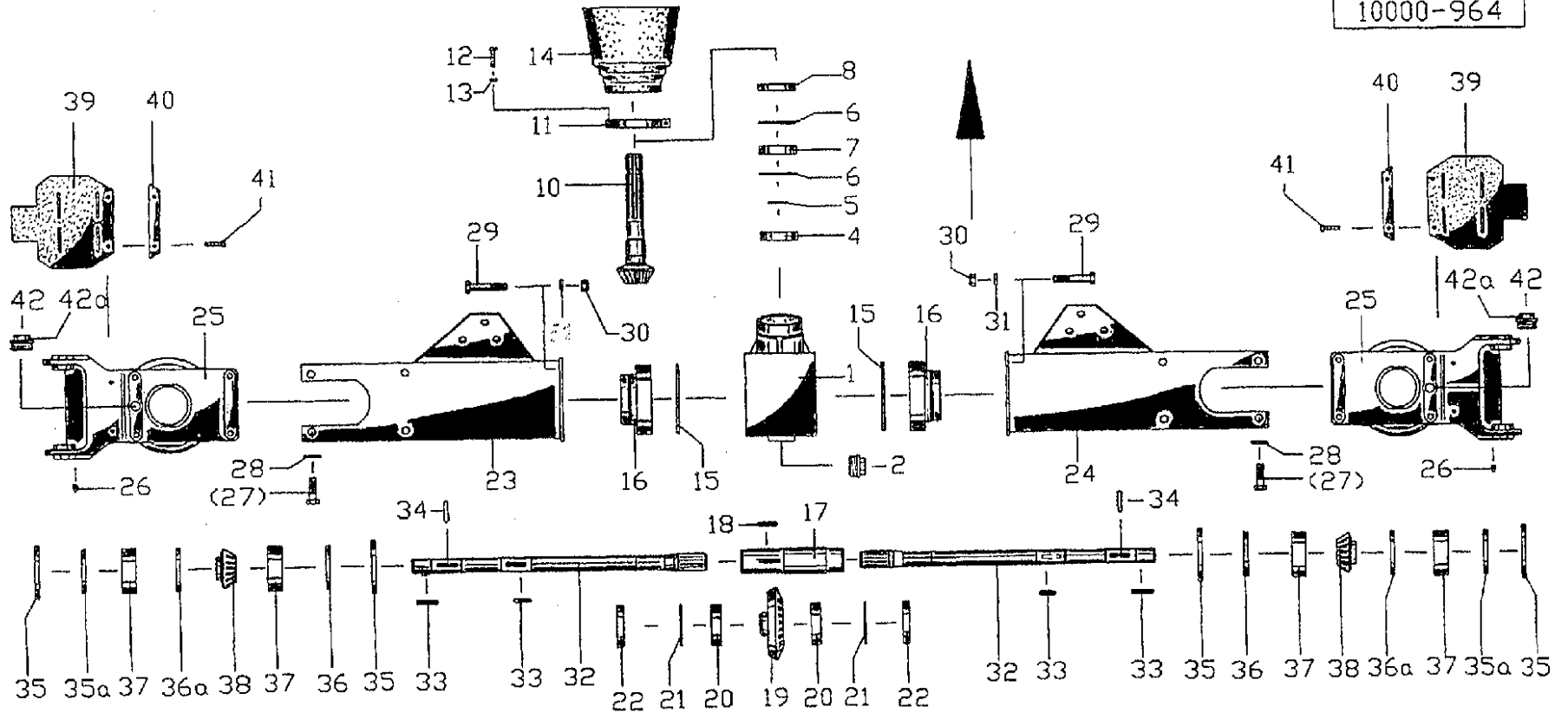


Hitch Frame

Hitch Frame

Item	Part Number	Description	Serial # Ranges	HR-785DH	Notes
1	15929	3 Point Carrying Frame		X	
2	600.414	Cap		X	
3	530.744	Blind Rivet		X	4 X 12
5	500.917	Hex Bolt		X	M14 X 35
6	520.616	Stop Washer		X	30 X 14 X 2.4
7	510.238	Hex Nut		X	M14
8	500.364	Hex Bolt		X	M14 X 60
9	520.599	Securing Ring		X	M14
10	15858	Spacer		X	
11	15912	Ratchet		X	
13	15911	Pin		X	
14	15848	Bushing		X	
15	530.207	Tension Pin		X	10 X 40
16	15847	Rope		X	1800
17	570.590	Cable Clamp		X	1/4
18	15029	Rope		X	L=4600
19	570.609	Clamp		X	15
20	520.063	Washer		X	11 X 34 X 3
21	15854	Pipe		X	
22	15853	Pipe		X	
23	15855	Clamping Piece		X	015855 G
24	500.361	Hex Bolt		X	M10 X 90
25	560.727	Spring Washer		X	20 X 10.2 X 1.1
26	520.049	Washer		X	10.5 X 21 X 2
27	510.512	Hex Nut		X	M10
28	530.072	Tension Pin		X	6 X 30
29	520.119	Washer		X	17 X 27 X 2
30	520.153	Washer		X	21 X 33 X 2.5
31	530.072	Tension Pin		X	6 X 30
32	15852	Break		X	

10000-964

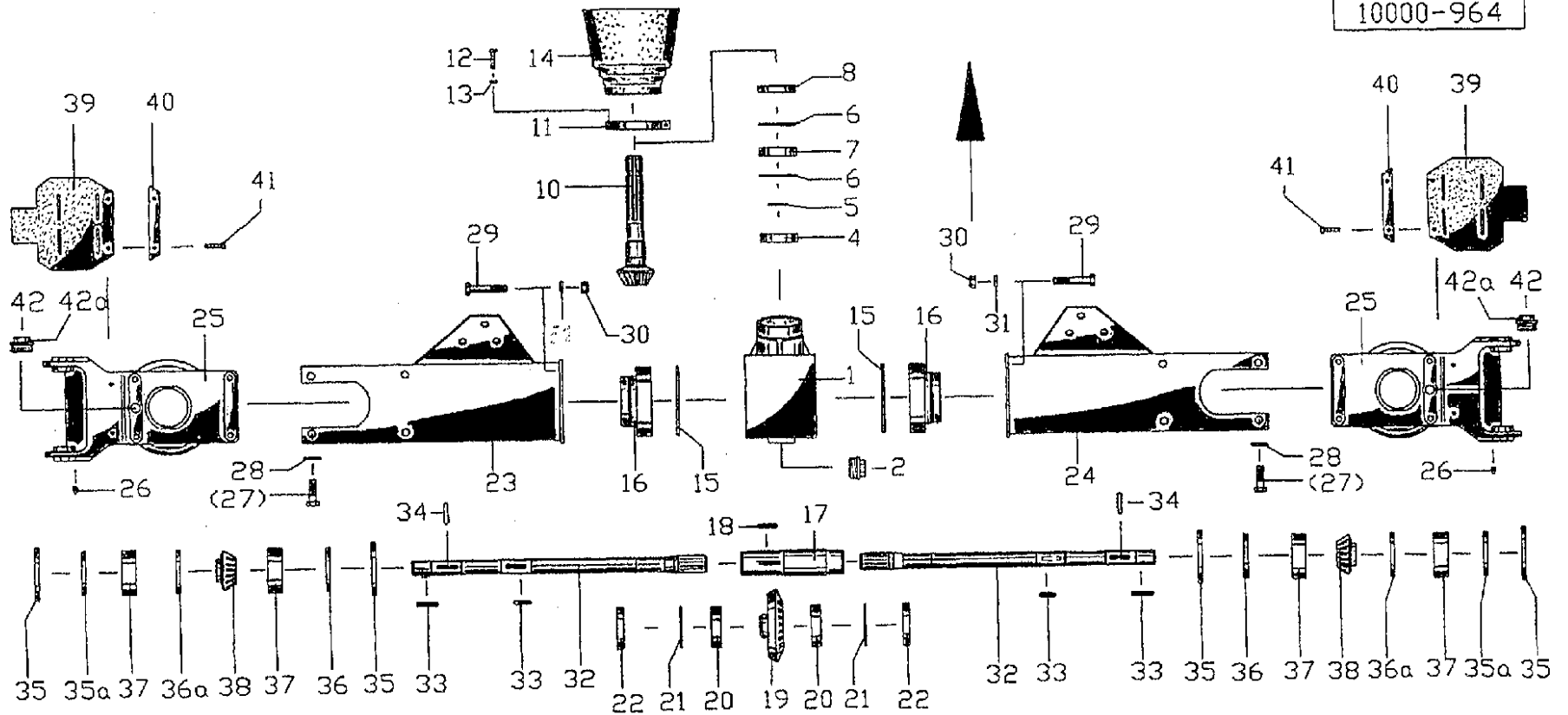


Center Section Gearbox

Center Section Gearbox

Item	Part Number	Description	Serial # Ranges	HR-785DH	Notes
1	15778	Housing		X	015778G
2	503.018	Plug		X	M42 X 2
4	540.174	Grooved Ball Bearing		X	6208 2RS
5	531.528	Securing Ring		X	A 40 X 1.75
6	531.650	Securing Ring		X	J 80 X 2.5
7	540.257	Grooved Ball Bearing		X	6307 2RSR
8	550.049	Oil Seal		X	BA 35 X 80 X 12
10	15788	Splint Shaft		X	
11	610.570	Clamp		X	
12	503.126	Bolt		X	M5 X 25
13	510.602	Square Nut		X	M5
14	610.700	Protective Cone		X	
15	550.614	O-Ring		X	Or. 140 X 3
16	15875	Bearing Tube		X	
17	15783	Bushing		X	
18	531.399	Key		X	A 14 X 9 X 45
19	15789	Pinion		X	
20	540.179	Grooved Ball Bearing		X	2RS C 3
21	531.653	Securing Ring		X	J 90 X 3
22	550.119	Oil Seal		X	BA 45 X 80 X 10
23	15877	Bracket		X	
24	15876	Bracket		X	
25	15784	Housing		X	015784G
26	570.265	Grease Fitting		X	H1S 8 X 1
27	500.922	Hex Bolt		X	M14 X 30
28	520.616	Washer		X	30 X 14 X 2.4
29	500.363	Hex Bolt		X	M14 X 190
30	510.536	Hex Nut		X	M14
31	520.599	Securing Ring		X	M14
32	15798	Shaft		X	
33	531.432	Key		X	AB 8 X 7 X 35
34	570.606	Clamp		X	20-32
35	531.640	Securing Ring		X	J 62 X 2
35a	520.368	Adapter Washer		X	72 X 85 X .35
36	550.354	Nilos Ring		X	6206 ZJV
36a	550.356	Nilos Ring		X	6206 ZAV
37	540.197	Grooved Ball Bearing		X	6206 DDU
38	15796	Pinion		X	Z=15

10000-964

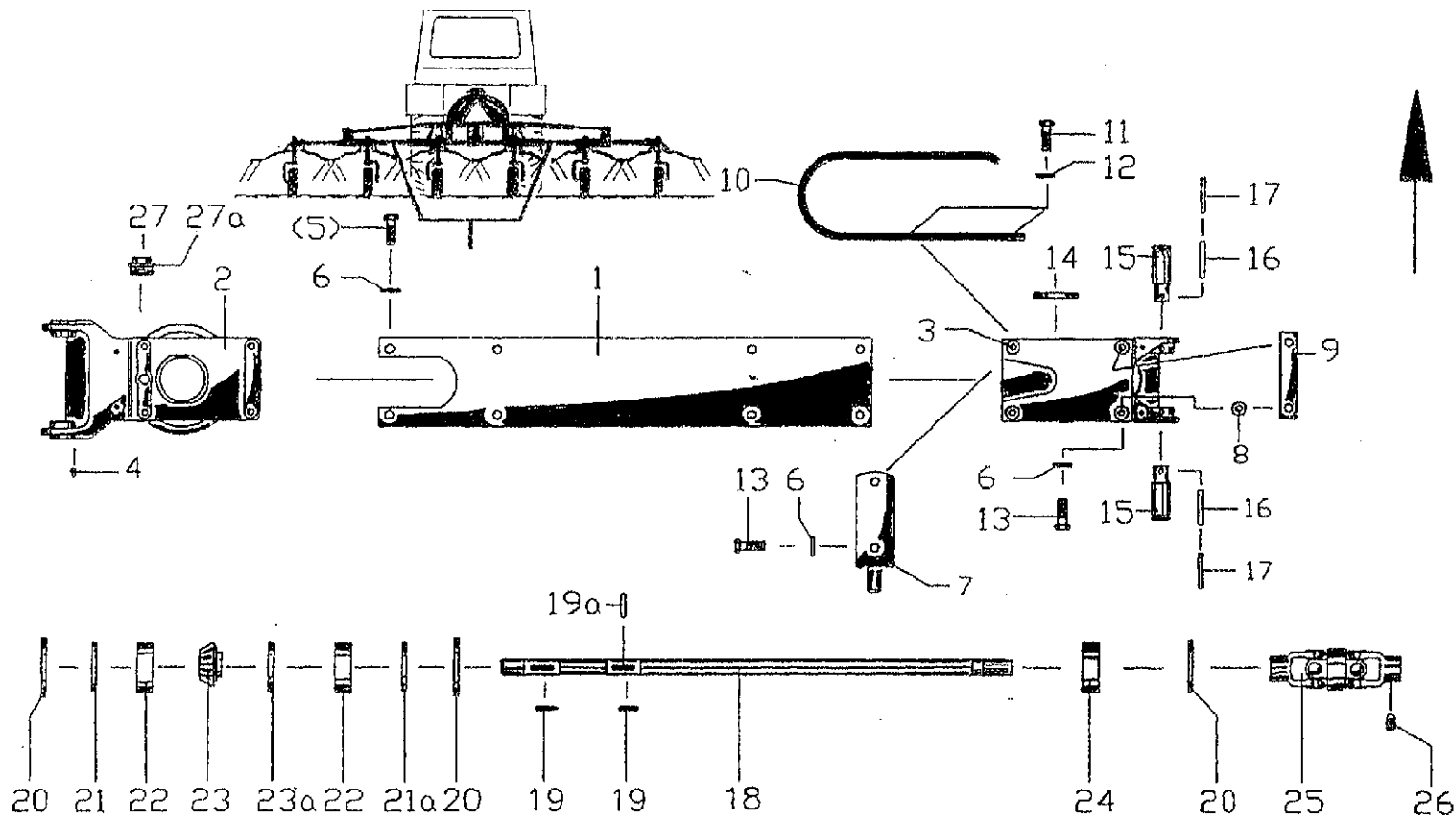


Center Section Gearbox

Center Section Gearbox

Item	Part Number	Description	Serial # Ranges	HR-785DH	Notes
39	600.880	Cover Plate		X	
40	15857	Reinforcing Strap		X	
41	530.742	Blind Rivet		X	6 X 18
42	503.014	Plug		X	M24 X 1.5
42a	570.325	Breather		X	1007-01-00

10000-965



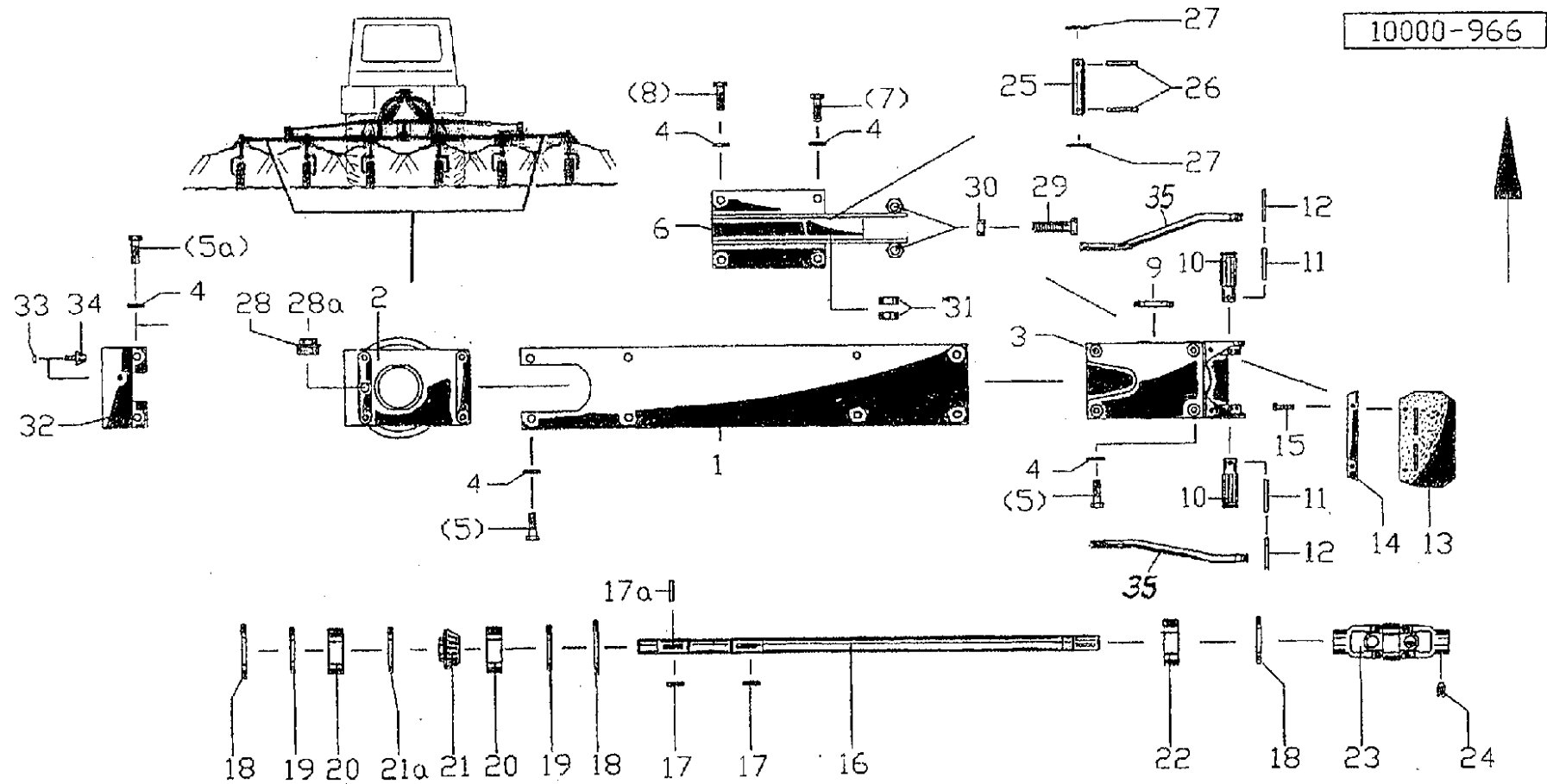
Intermediate Frame Section

Intermediate Frame Section

Item	Part Number	Description	Serial # Ranges	HR-785DH	Notes
1	15878	Bracket		X	
2	15784	Housing		X	015784G
3	15785	Swivel Bearing		X	015785G
4	570.265	Grease Fitting		X	H1S 8 X 1
5	500.922	Hex Bolt		X	M14 X 30
6	520.616	Washer		X	30 X 14 X 2.4
7	15840	Clamp		X	
8	520.094	Washer		X	14 X 35 X 4
9	15856	Binding Strip		X	
10	15843	Spring		X	
11	500.364	Hex Bolt		X	M14 X 60
12	530.145	Tension Pin		X	5 X 45
13	500.923	Hex Bolt		X	M14 X 40
14	601.025	Locking Cover		X	
15	15154	Pin		X	l=25
16	530.146	Tension Pin		X	8 X 45
17	530.145	Tension Pin		X	5 X 45
18	15799	Shaft		X	
19	531.532	Securing Ring		X	A 45 X 2.5
19a	570.606	Clamp		X	20-32
20	531.640	Securing Ring		X	J 62 X 2
21	550.354	Nilos Ring		X	6206 ZJV
21a	520.368	Adapter Washer		X	72 X 85 X .35
22	540.197	Grooved Ball Bearing		X	6206 DDU
23	15796	Pinion		X	Z=15
23a	550.356	Nilos Ring		X	6206 ZAV
24	540.156	Grooved Ball Bearing		X	6206 2RS C3
25	612.140	Universal Joint		X	178340
26	503.570	Set Screw		X	M10 X 12
27	503.014	Plug		X	M24 X 1.5
27a	570.325	Breather		X	1007-01-00

Outer Frame Section

Item	Part Number	Description	Serial # Ranges	HR-785DH	Notes
1	15878	Bracket		X	
2	15786	Housing		X	015786G
3	15785	Swivel Bearing		X	015785G
4	520.616	Washer		X	30 X 14 X 2.4
5	500.922	Hex Bolt		X	M14 X 30
5a	500.923	Hex Bolt		X	
6	15913	Drawpiece		X	
7	500.923	Hex Bolt		X	
8	500.920	Hex Bolt		X	M14 X 35
9	601.025	Locking Cover		X	
10	15154	Pin		X	l=25
11	530.146	Tension Pin		X	8 X 45
12	530.145	Tension Pin		X	5 X 45
13	600.875	Cover Plate		X	
14	15828	Reinforcing Strap		X	
15	530.742	Blind Rivet		X	6 X 18
16	15799	Shaft		X	
17	531.431	Key		X	A 10 X 6 X 60
17a	570.606	Clamp		X	20-32
18	531.640	Securing Ring		X	J 62 X 2
19	550.354	Nilos Ring		X	6206 ZJV
20	540.197	Grooved Ball Bearing		X	6206 DDU
21	15796	Pinion		X	Z=15
21a	550.356	Nilos Ring		X	6206 ZAV
22	540.156	Grooved Ball Bearing		X	6206 2RS C3
23	612.140	Universal Joint		X	178340
24	503.570	Set Screw		X	M10 X 12
25	11996	Roller Axle		X	
26	520.190	Washer		X	26 X 40 X 2.5
27	530.146	Tension Pin		X	8 X 45
28	503.014	Plug		X	M24 X 1.5
28a	570.325	Breather		X	1007-01-00
29	500.858	Hex Bolt		X	M20 X 80
30	510.315	Hex Nut		X	M20
31	15532	Ring		X	
32	15930	Stop		X	
33	510.509	Hex Nut		X	M8
34	600.521	Buffer		X	

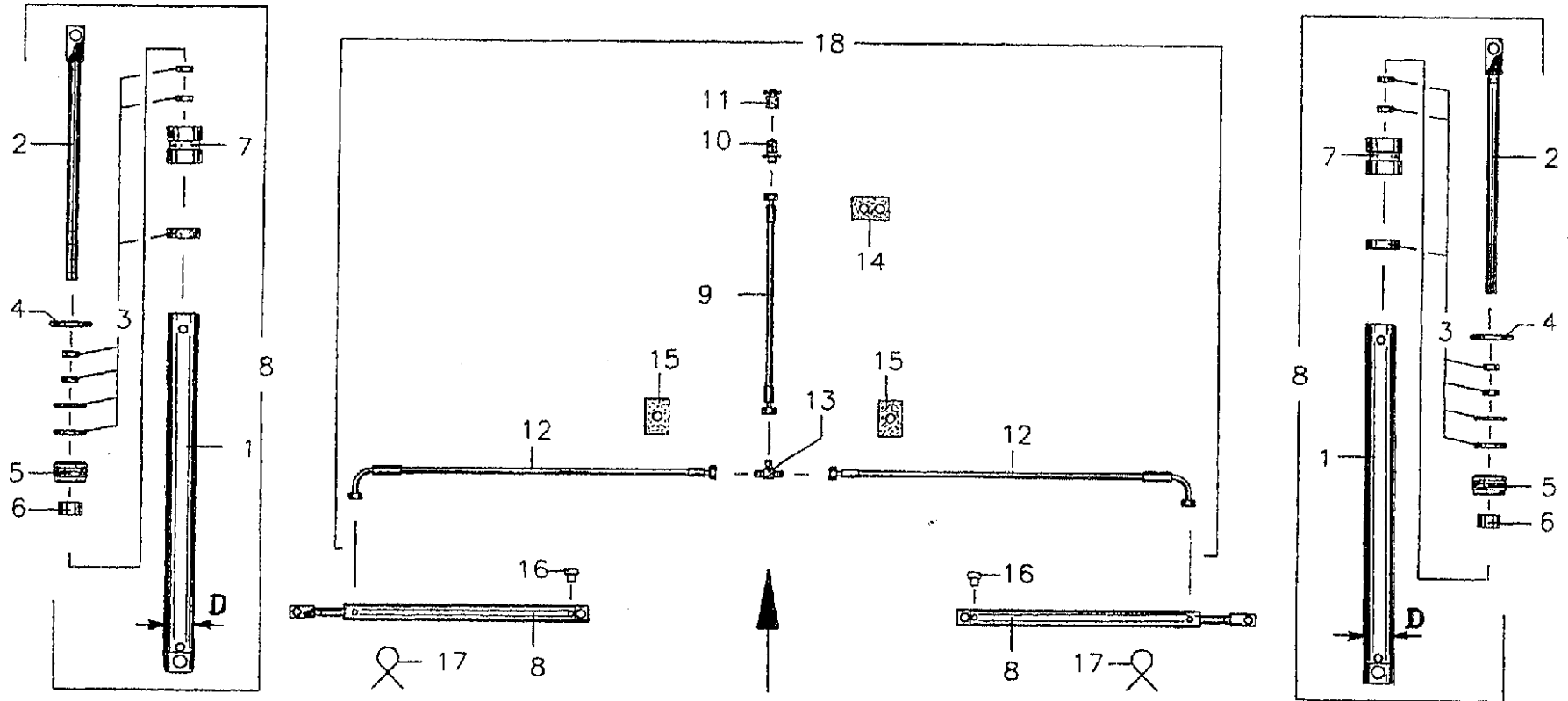


Outer Frame Section

Outer Frame Section

Item	Part Number	Description	Serial # Ranges	HR-785DH	Notes
35	15976	Bracket		X	

10000-967

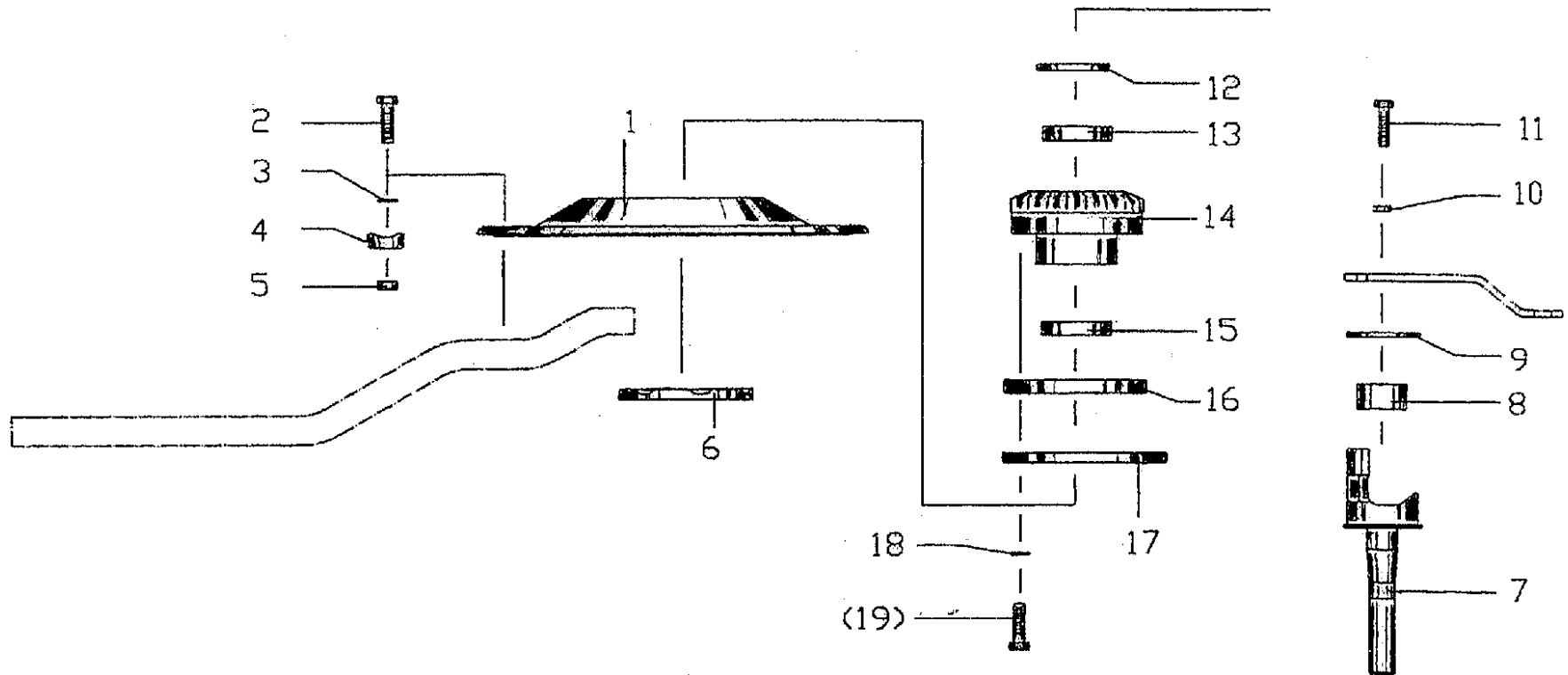


Folding Hydraulics

Folding Hydraulics

Item	Part Number	Description	Serial # Ranges	HR-785DH	Notes
1	15941	Cylinder Tube		X	D=70
2	15942	Piston Rod		X	
3	580.880	Seal Kit		X	
4	531.781	Spring Ring		X	RB60
5	15943	Guide		X	
6	15950	Bushing		X	
7	15944	Piston		X	
8	15940	Hydraulic Cylinder		X	
9	580.881	Hydraulic Tube		X	2600
10	580.034	Connector		X	DN 10 / R3/8" AG
11	580.020	Bracket		X	DN 10
12	580.877	Hydraulic Tube		X	1460
13	580.882	T Fitting		X	
14	580.884	Clamp		X	HRZ 2A1 15-15PP
15	580.883	Clamp		X	HRL 2A1 15PP
16	570.338	Vent		X	1564-05-02-00
17	570.120	Bond		X	KB 3/75 X 270
18	580.876	Hydraulic Tube		X	

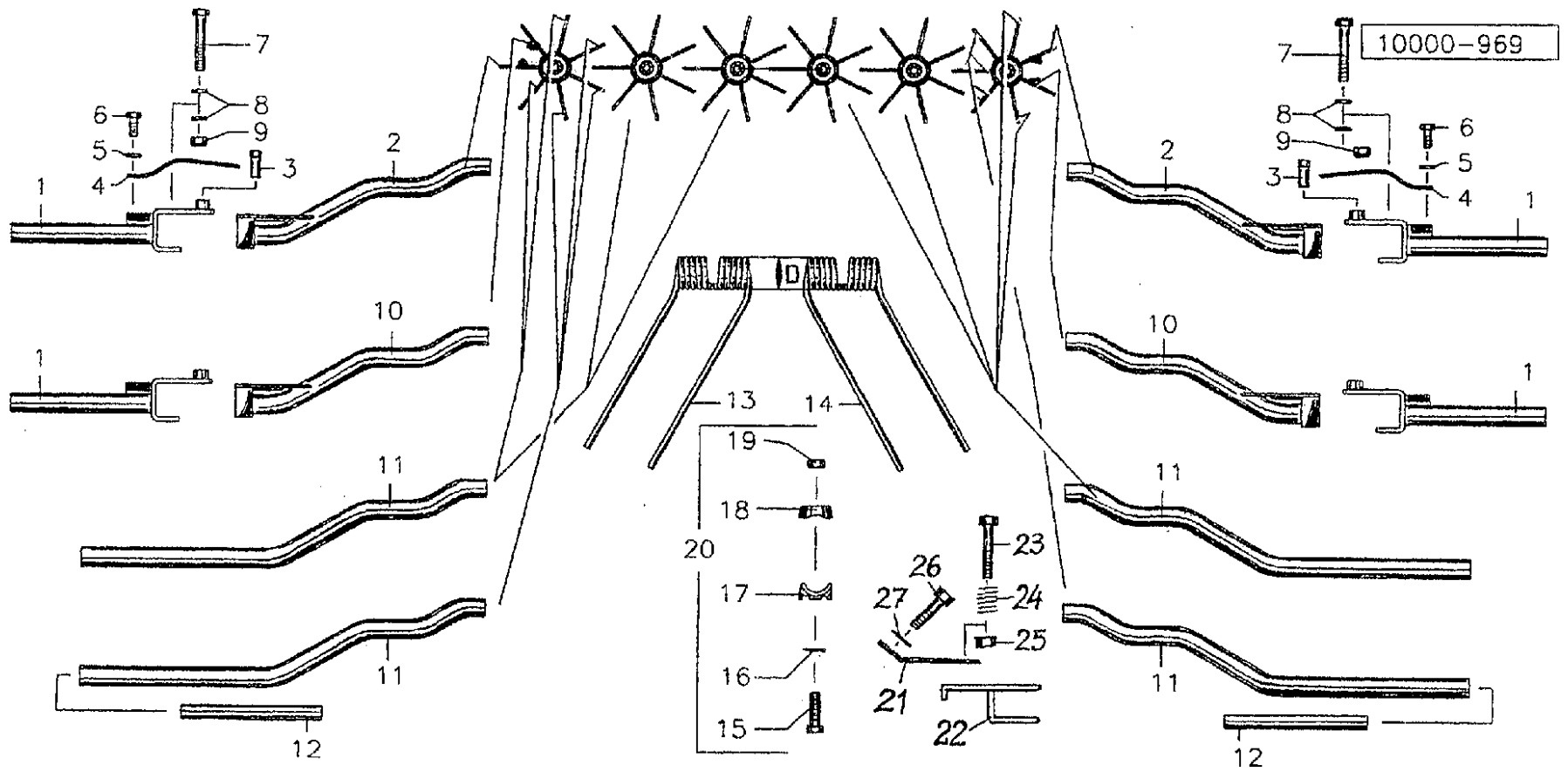
10000-968



Rotors

Rotors

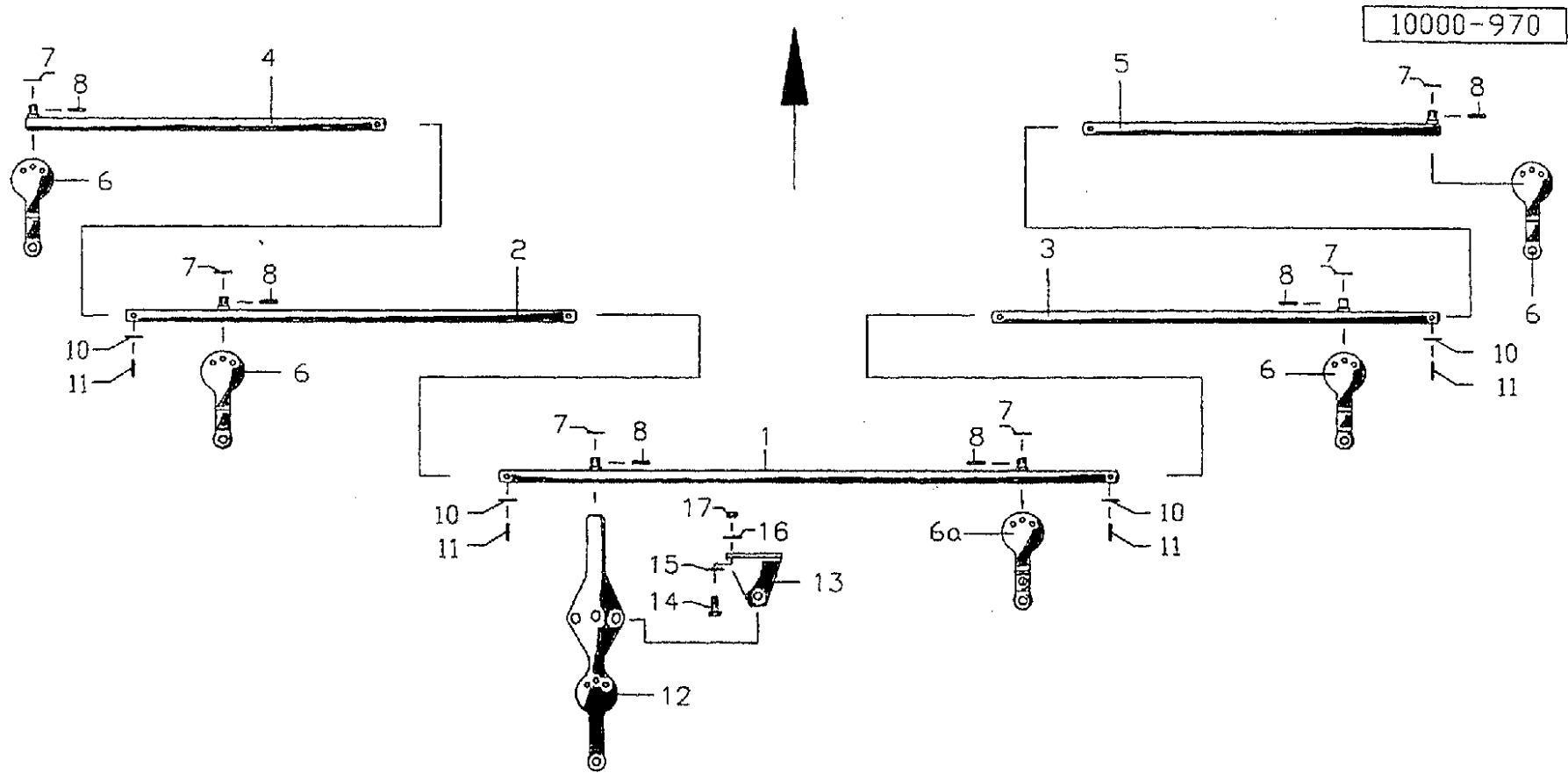
Item	Part Number	Description	Serial # Ranges	HR-785DH	Notes
1	15233	Plate		X	
2	500.489	Hex Bolt		X	M12 X 65
3	520.085	Washer		X	13 X 25 X 3
4	10205	Chock		X	
5	510.517	Hex Nut		X	M12
6	15441	Clamp Segment		X	015441 G
7	15793	Shaft		X	
8	15794	Shoulder		X	
9	550.608	O-Ring		X	Or. 78 X 3
10	520.510	Spring Lockwasher		X	A 12
11	500.931	Hex Bolt		X	M12 X 65
12	15808	Washer		X	
13	540.076	Grooved Ball Bearing		X	6007 2RS
14	15797	Pinion		X	
15	540.072	Grooved Ball Bearing		X	6006 2RS
16	550.134	Oil Seal		X	BASL 150 X 180 X 13
17	15803	Cover		X	
18	520.600	Stop Washer		X	12 X 27 X 1.8
19	500.354	Hex Bolt		X	M12 X 60



Tine Arms

Tine Arms

Item	Part Number	Description	Serial # Ranges	HR-785DH	Notes
1	15948	Outer Tine Arm		X	
2	15939	Inner Tine Arm		X	
3	15937	Pin		X	
4	15938	Spring Clip		X	
5	520.056	Washer		X	11 X 20 X 2.5
6	500.771	Hex Bolt		X	M10 X 25
7	500.934	Hex Bolt		X	M12 X 70
8	520.600	Stop Washer		X	12 X 27 X 1.8
9	510.517	Hex Nut		X	M12
10	15918	Inner Tine Arm		X	
11	15235	Tine Arm		X	
12	15947	Filling Piece		X	
13	600.061	Tine		X	D=69
14	600.062	Tine		X	D=69
15	500.494	Hex Bolt		X	M12 X 85
16	520.096	Washer		X	14 X 35 X 6
17	15677	Chock		X	015677 G
18	15702	Chock		X	015702 G
19	510.517	Hex Nut		X	M12
20	15703	Bolt Complete for Tine		X	
21	15945	Bracket		X	
22	15946	Lever		X	
23	500.458	Hex Bolt		X	M10 X 55
24	560.214	Compression Spring		X	59 X 12.5 X 1.6
25	510.512	Hex Nut		X	M10
26	500.923	Hex Bolt		X	
27	520.598	Stop Washer		X	SK 10B

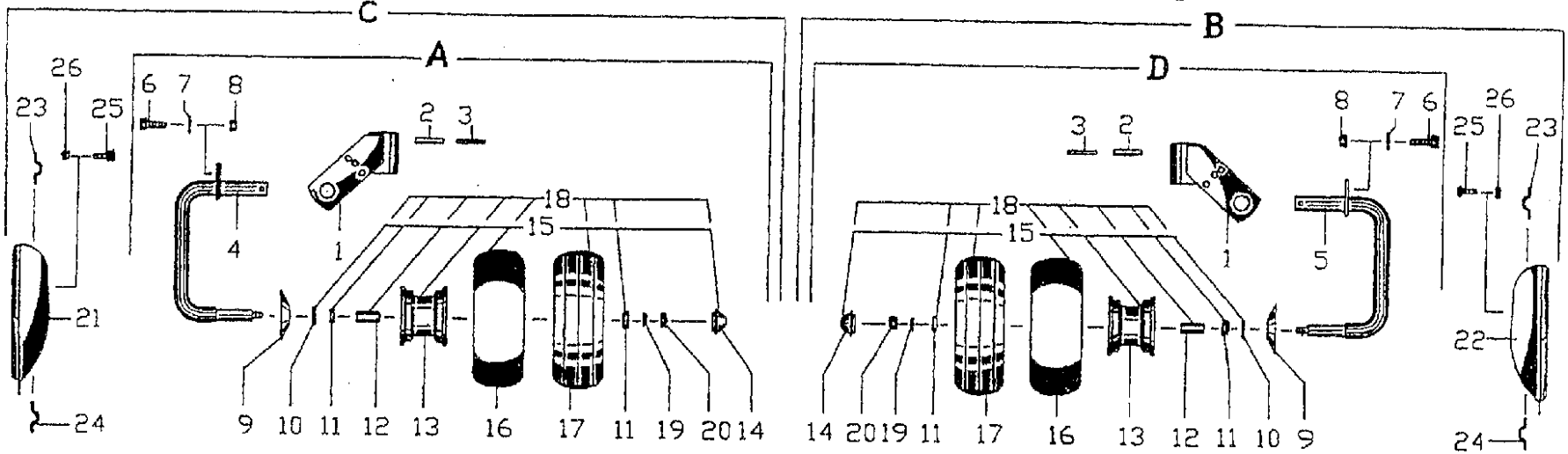
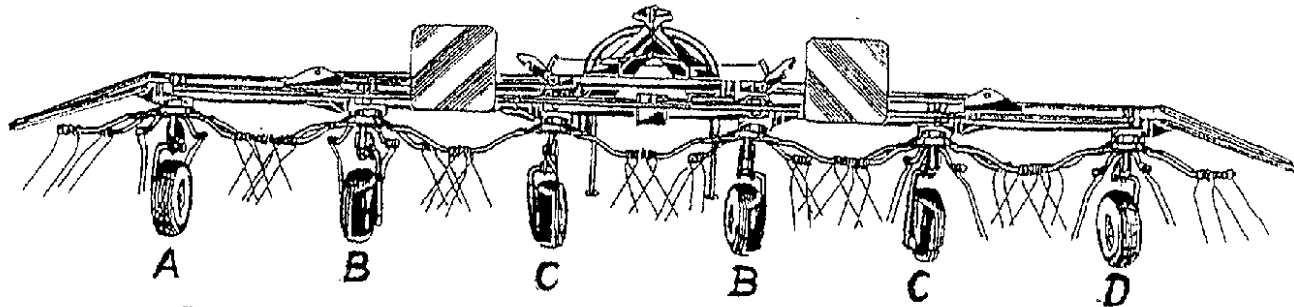


Angle Adjustment

Angle Adjustment

Item	Part Number	Description	Serial # Ranges	HR-785DH	Notes
1	15932	Rod		X	
2	15933	Rod		X	
3	15934	Rod		X	
4	15935	Rod		X	
5	15936	Rod		X	
6	15792	Lever Arm		X	
6a	15860	Lever Arm		X	
7	520.153	Washer		X	21 X 33 X 2.5
8	530.105	Tension Pin		X	8 X 35
10	520.083	Washer		X	13 X 24 X 2.5
11	530.073	Tension Pin		X	5 X 25
12	15841	Lever		X	
13	15842	Bracket		X	
14	500.909	Hex Bolt		X	M14 X 40
15	520.103	Washer		X	15 X 28 X 2.5
16	520.616	Washer		X	30 X 14 X 2.4
17	510.238	Hex Nut		X	M14

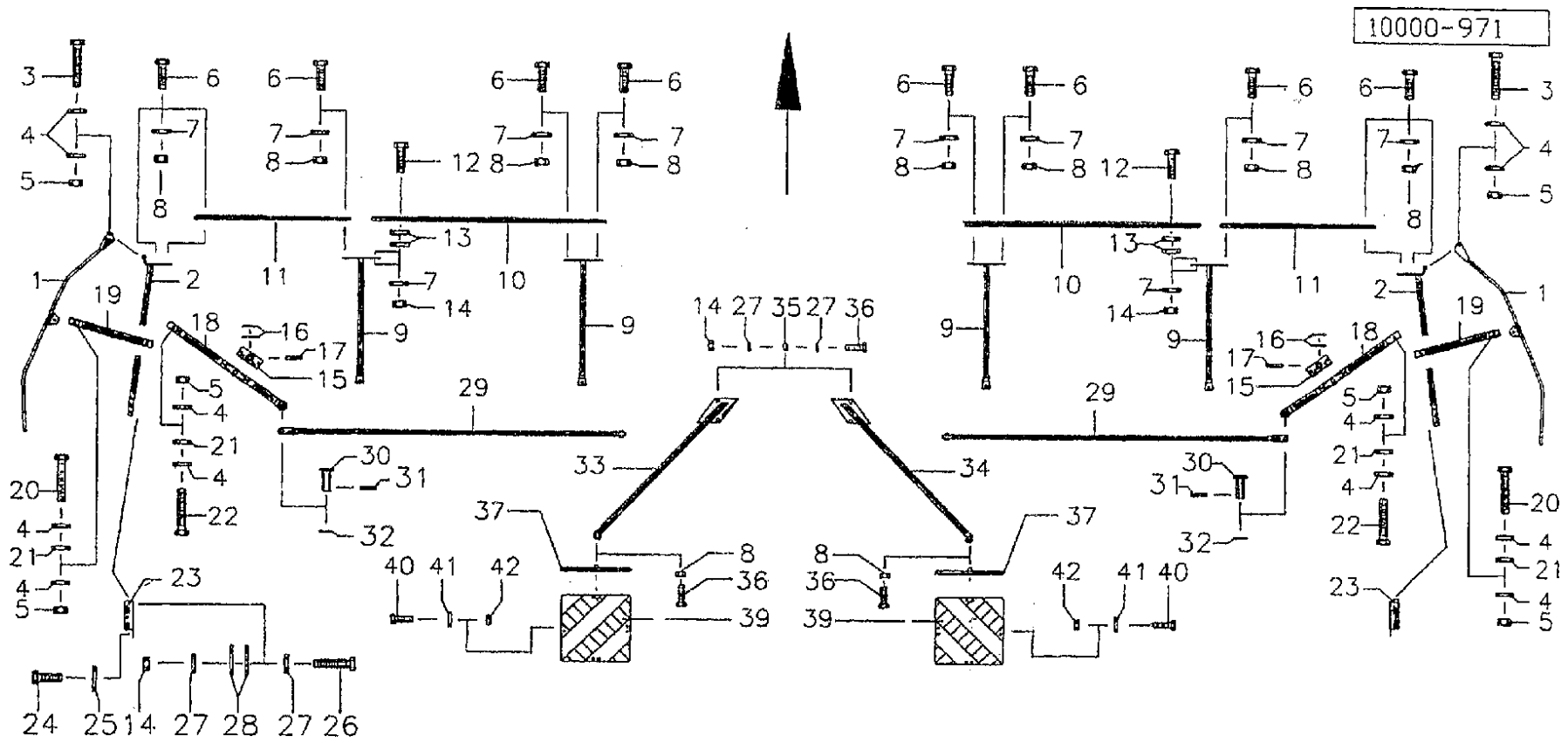
10000-890



Tires

Tires

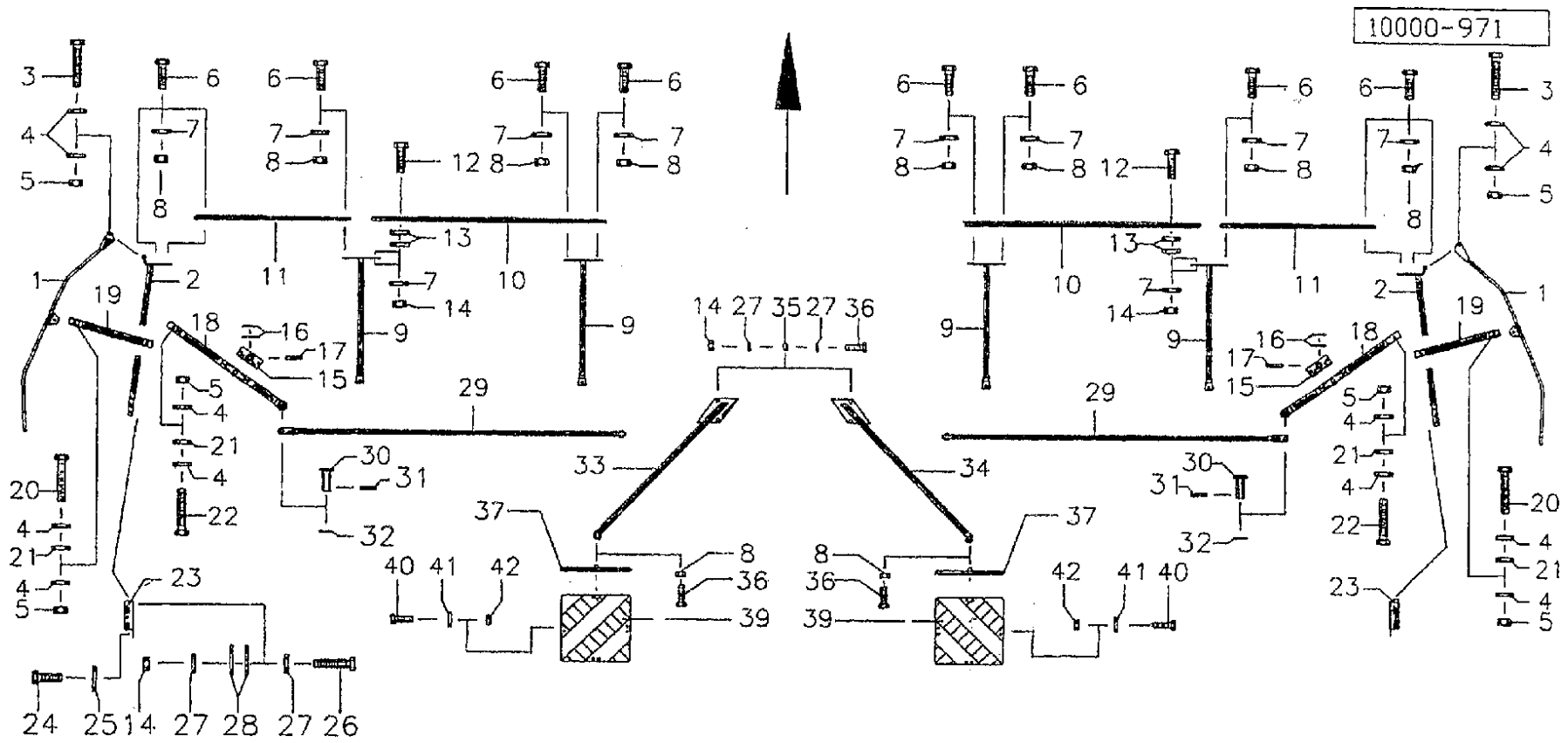
Item	Part Number	Description	Serial # Ranges	HR-785DH	Notes
1	15804	Wheel Bracket		X	
2	530.132	Tension Pin		X	12 X 55
3	530.082	Tension Pin		X	7 X 55
4	15287	Wheel Fork		X	
5	15286	Wheel Fork		X	
6	500.788	Hex Bolt		X	M12 X 35
7	520.083	Washer		X	13 X 24 X 2.5
8	510.517	Hex Nut		X	M12
9	15214	Cover		X	
10	551.176	Seal		X	942070005
11	540.150	Grooved Ball Bearing		X	6205 2Z
12	600.517	Spacer		X	
13	591.027	Rim		X	5.5A X 8
14	600.518	Cap		X	
15	591.026	Rim		X	5.5A X 8
16	591.218	Tube		X	16/6.50-8
17	591.120	Tire		X	16/6.50 X 8/4 T-510
18	591.353	Wheel		X	16 x 6.5/8
19	520.094	Washer		X	14 X 35 X 4
20	510.517	Hex Nut		X	M12
21	15369	Guard		X	
22	15370	Guard		X	
23	15109	Clamp		X	
24	15108	Clamp		X	
25	500.753	Hex Bolt		X	M8 X 35
26	510.509	Hex Nut		X	M8



Safety Frames

Safety Frames

Item	Part Number	Description	Serial # Ranges	HR-785DH	Notes
1	15924	Guard		X	
2	15923	Bracket		X	
3	500.506	Hex Bolt		X	M14 X 85
4	560.702	Spring Washer		X	14.2 X 1.5 X 28
5	510.536	Hex Nut		X	M14
6	500.771	Hex Bolt		X	M10 X 25
7	520.598	Stop Washer		X	SK 10B
8	510.227	Hex Nut		X	M10
9	15919	Bracket		X	
10	15920	Safety Frame		X	
11	15921	Safety Frame		X	
12	500.903	Hex Bolt		X	M10 X 30
13	560.727	Spring Washer		X	20 X 10.2 X 1.1
14	510.512	Hex Nut		X	M10
15	15926	Axle		X	
16	560.712	Spring Washer		X	50 X 25.4 X 1.5
17	530.223	Tension Pin		X	10 X 55
18	15928	Rod		X	
19	15927	Rod		X	
20	500.592	Hex Bolt		X	M14 X 110
21	520.103	Washer		X	15 X 28 X 2.5
22	500.591	Hex Bolt		X	M14 X 65
23	15922	Bracket		X	
24	500.922	Hex Bolt		X	M14 X 30
25	520.616	Stop Washer		X	30 X 14 X 2.4
26	500.460	Hex Bolt		X	M10 X 65
27	520.055	Washer		X	10.5 X 28 X 2
28	15925	Wedge		X	
29	15931	Rod		X	
30	12673	Pin		X	
31	530.062	Tension Pin		X	6 X 40
32	520.145	Washer		X	21 X 40 X 2
33	15851	Bracket		X	
34	15850	Bracket		X	
35	15949	Spacer		X	
36	500.776	Hex Bolt		X	M10 X 35
37	16656	Bracket		X	
39	600.478	Warning Plate		X	

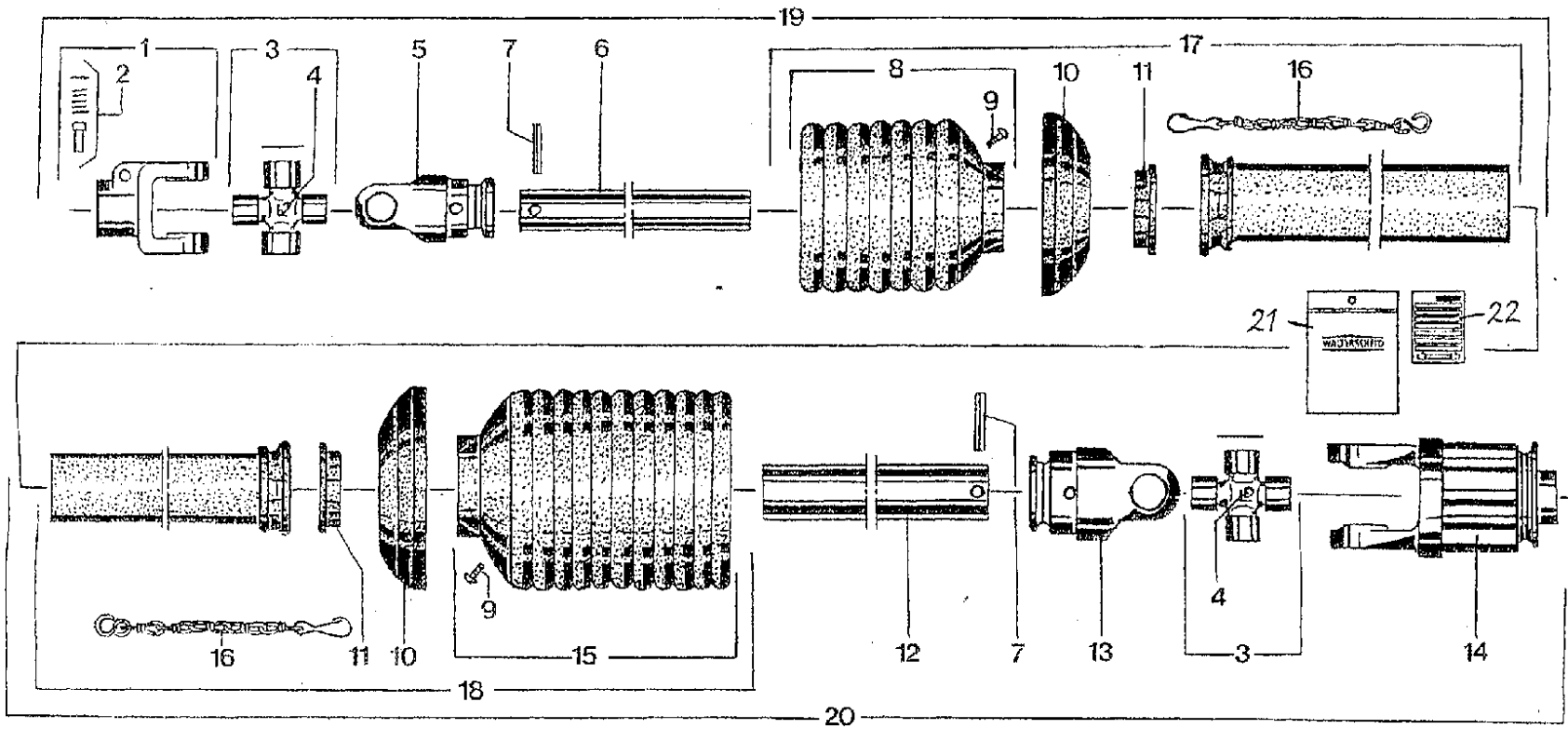


Safety Frames

Safety Frames

Item	Part Number	Description	Serial # Ranges	HR-785DH	Notes
40	500.734	Hex Bolt		X	M6 X 16
41	520.019	Washer		X	6.4 X 18 X 1.6
42	510.505	Hex Nut		X	M6

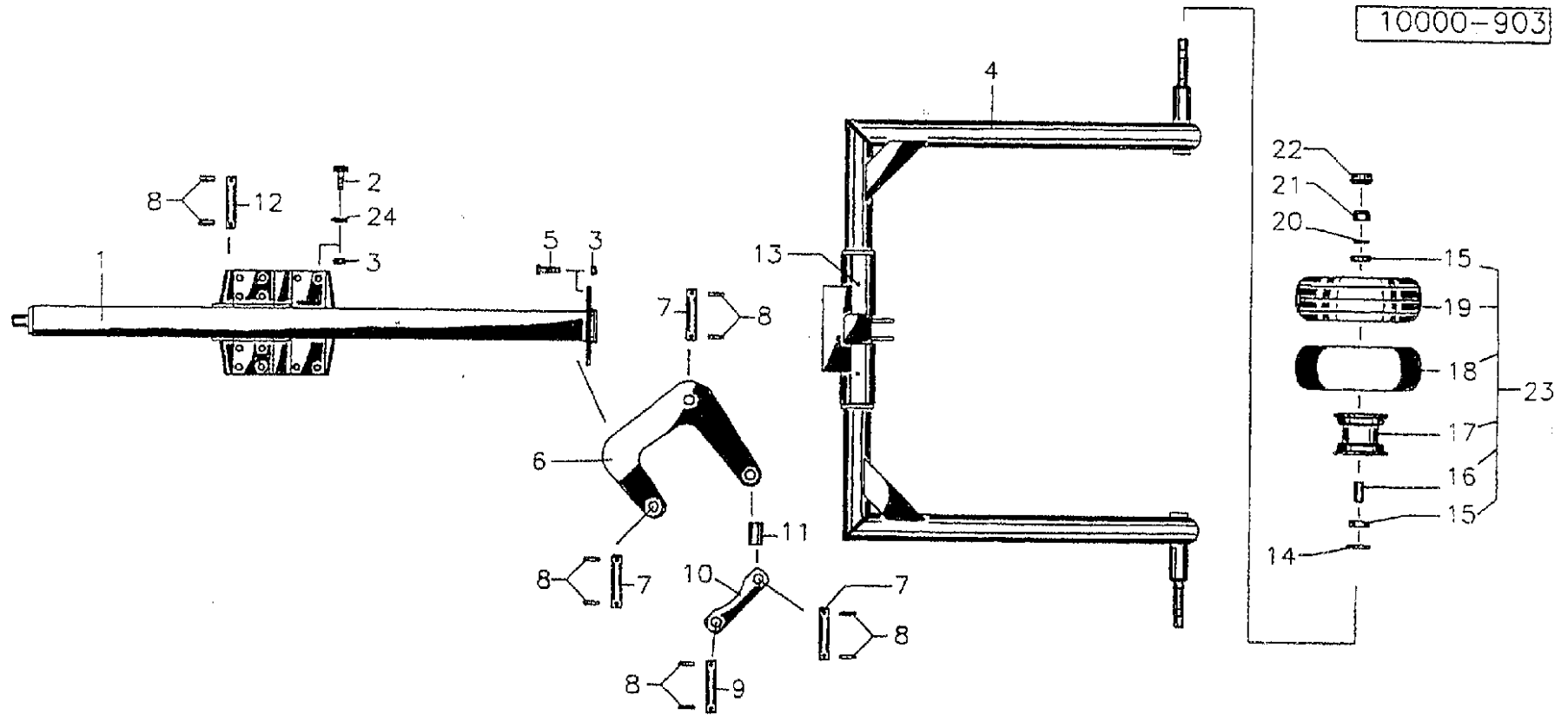
0001 - 196



PTO Shaft - 612.098

PTO Shaft - 612.098

Item	Part Number	Description	Serial # Ranges	HR-785DH	Notes
1	610.004	Yoke		X	041378
2	610.043	Push Pin		X	339107
3	610.053	Cross Kit		X	044444
4	610.047	Grease Fitting		X	084099
5	610.020	Grooved Yoke		X	041315
6	610.341	Profile Tube		X	058738
7	530.116	Tension Pin		X	10 X 65
8	610.927	Protective Cone		X	365347
9	610.046	Bolt		X	365305
10	610.692	Support Collar		X	359471
11	610.681	Sliding Ring		X	087279
12	610.348	Profile Tube		X	324779
13	610.027	Grooved Yoke		X	041318
14	612.195	Ratchet Clutch		X	343145
15	610.946	Protective Cone		X	365351
16	610.566	Stop Chain		X	044321
17	610.964	Guard Section		X	197043
18	610.981	Guard Section		X	188408
19	612.221	PTO Shaft Section		X	
20	612.222	PTO Shaft Section		X	
21	612.138	Ratchet Clutch		X	104012
22	612.132	Decal		X	104689

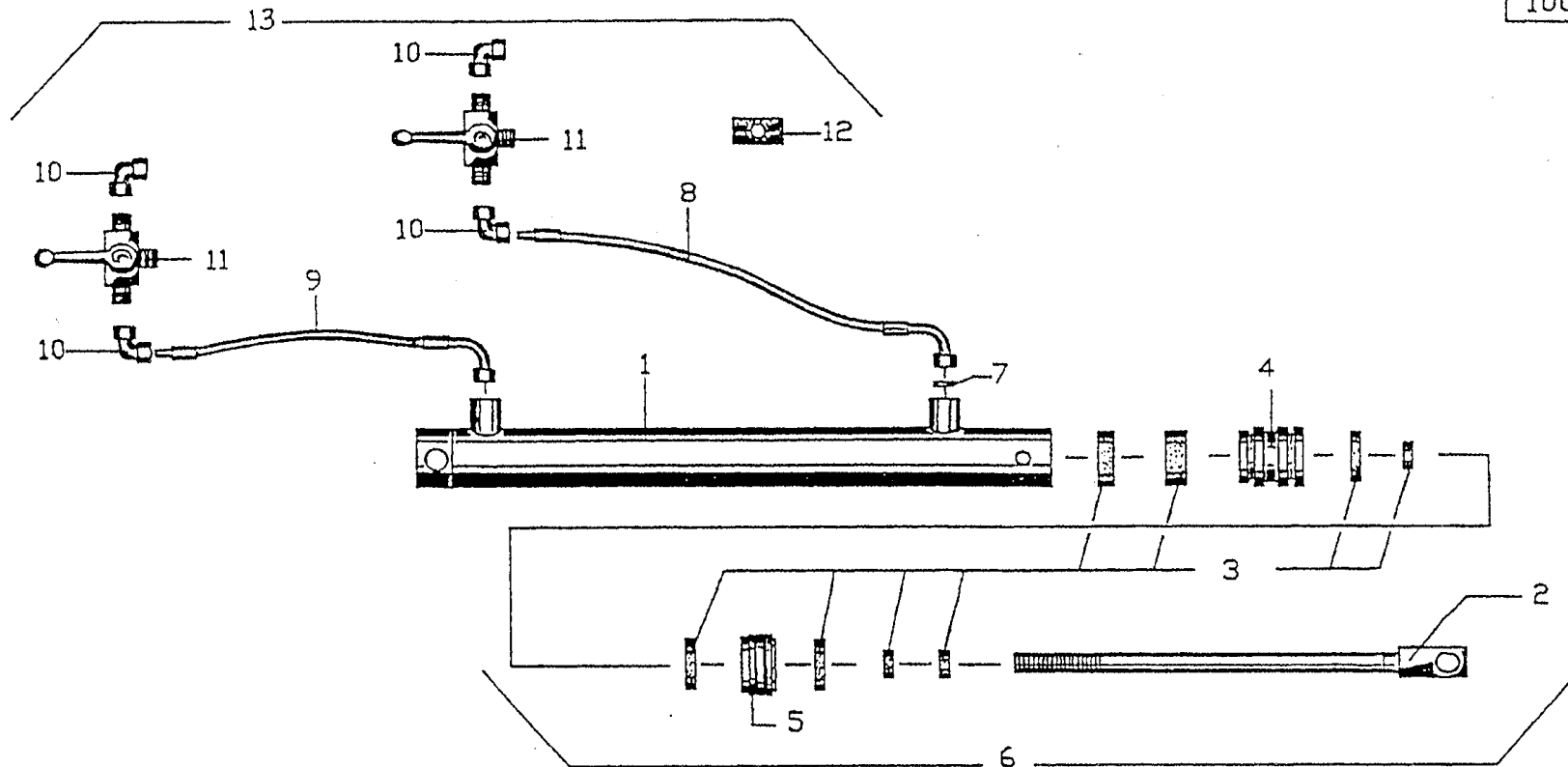


Transport Chassis

Transport Chassis

Item	Part Number	Description	Serial # Ranges	HR-785DH	Notes
1	15681	Frame Tube		X	
2	500.509	Hex Bolt		X	M14 X 65
3	510.536	Hex Nut		X	M14
4	15575	Carriage Frame		X	
5	500.921	Hex Bolt		X	M14 X 50
6	15578	Lever		X	
7	15586	Pin		X	
8	530.107	Tension Pin		X	8 X 40
9	07327	Pin		X	
10	15580	Joint		X	
11	15581	Pipe		X	
12	15675	Pin		X	
13	570.265	Grease Fitting		X	H1S 8 X 1
14	12706	Cap		X	
15	540.149	Grooved Ball Bearing		X	6205 2RSR
16	600.505	Bushing		X	
17	591.025	Rim		X	7.00 X 8
18	591.222	Tube		X	18 X 8.55/8 TR-13
19	591.126	Tire		X	18 X 8.50/8 4 PR
					3 510.536 H0all Bearing

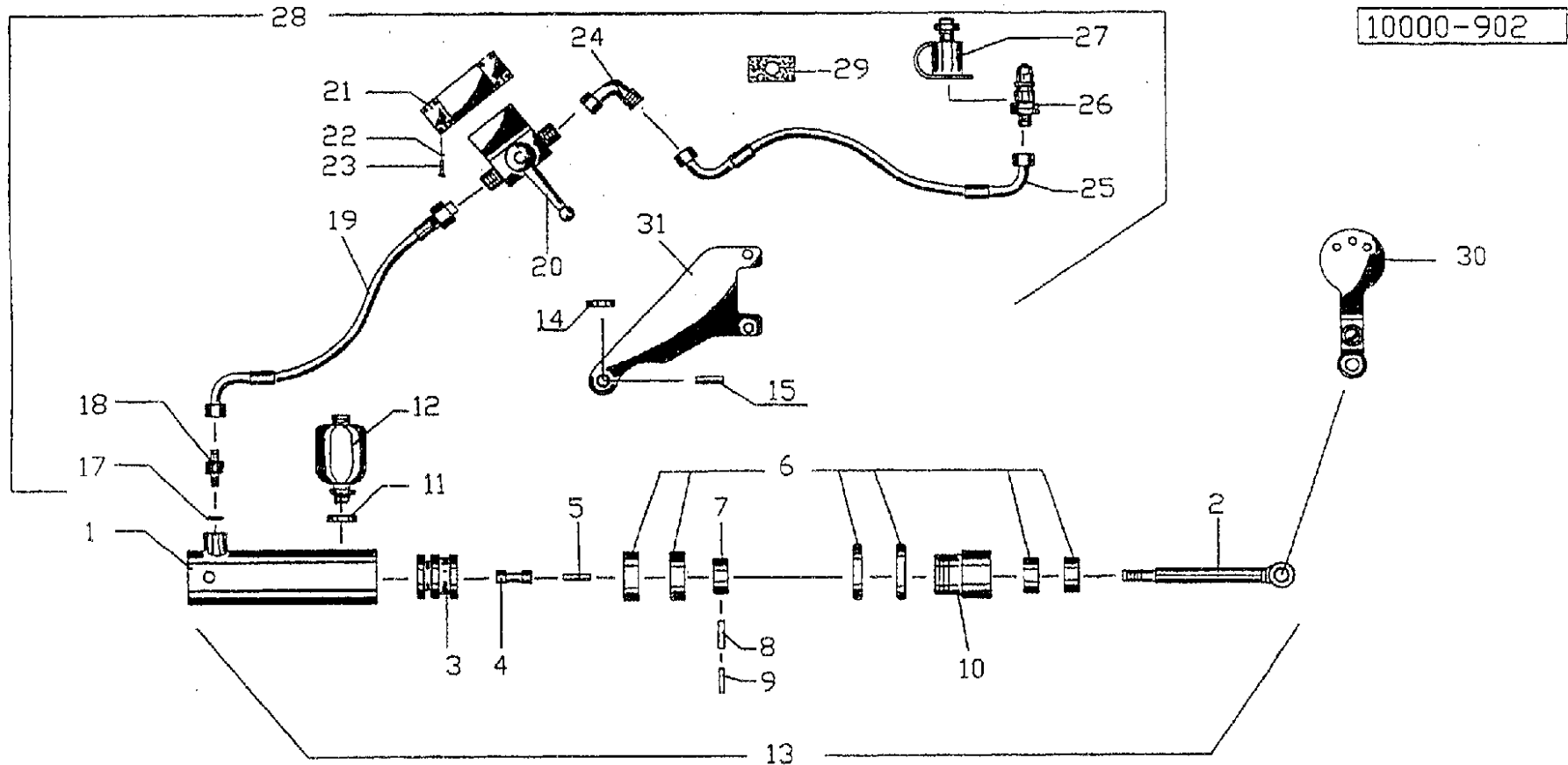
10000-801



Transport Chassis Hydraulics

Transport Chassis Hydraulics

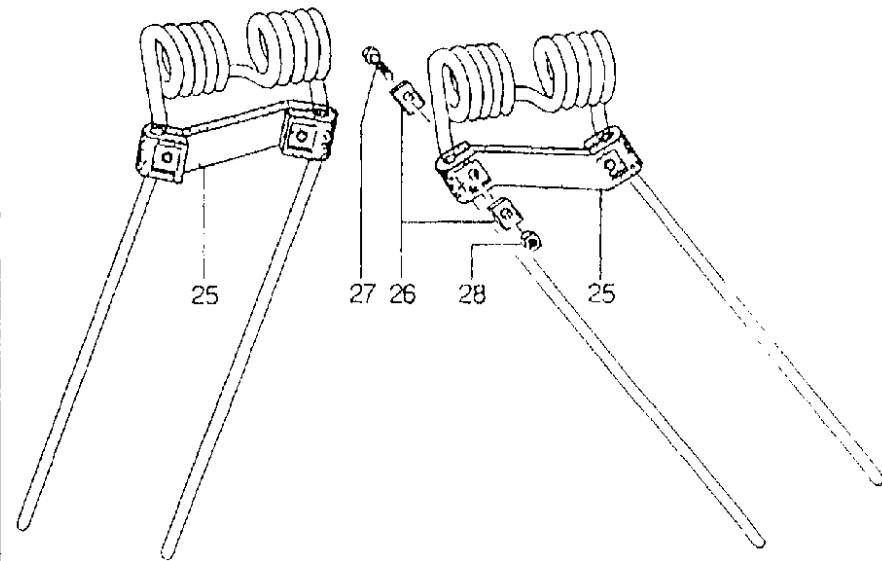
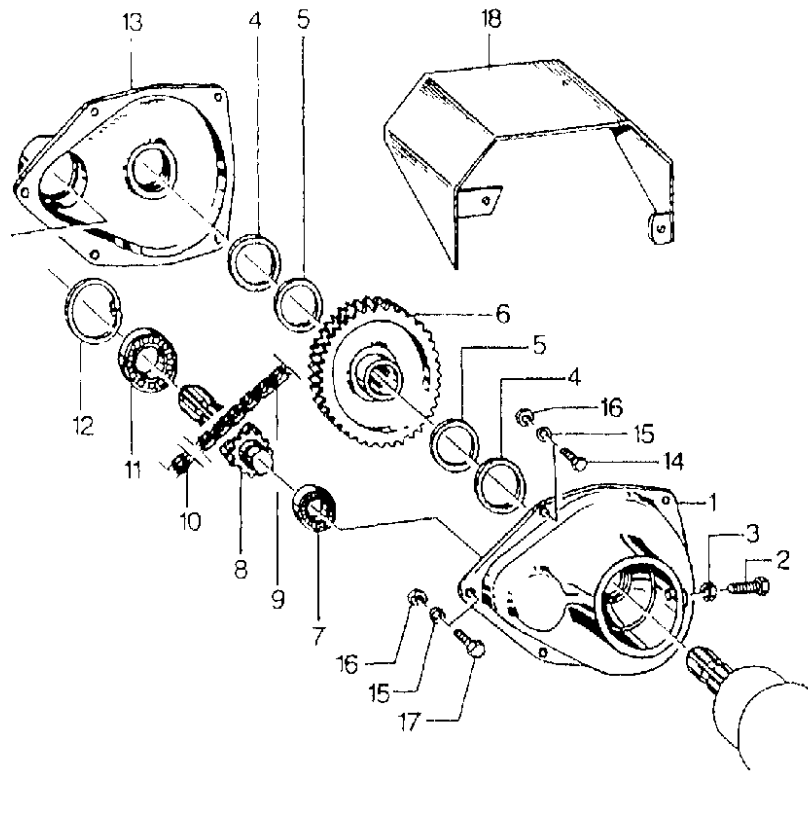
Item	Part Number	Description	Serial # Ranges	HR-785DH	Notes
1	15733	Cylinder Tube		X	015674
2	15734	Piston Rod		X	
3	580.704	Seal Kit		X	
4	15735	Piston		X	
5	15736	Guide		X	
6	15674	Hydraulic Cylinder		X	1.0 2900 2400 EVW 12 PL A4C
7	15322	Restrictor		X	
8	580.706	Hydraulic Tube		X	
9	580.705	Hydraulic Tube		X	
10	580.401	Fitting		X	
11	580.640	Valve		X	DBK DN10/12-L SP112 PP DP AS
12	570.641	Clamp		X	
13	580.647	Hydraulic Tube		X	



Angle Adjustment Hydraulics

Angle Adjustment Hydraulics

Item	Part Number	Description	Serial # Ranges	HR-785DH	Notes
1	15342	Cylinder Tube		X	
2	15341	Piston Rod		X	
3	15344	Piston		X	
4	15345	Spring		X	
5	530.050	Tension Pin		X	5 X 26
6	580.172	Seal Kit		X	1-14-91-072
7	15346	Spacer		X	
8	530.031	Tension Pin		X	4 X 30
9	530.011	Tension Pin		X	2.5 X 30
10	15343	Guide Nut		X	
11	551.178	Sealing Ring		X	U-16, 7-24-1.5
12	580.029	Reservoir		X	SBO 210
13	580.161	Hydraulic Cylinder		X	1-14-91-072
14	520.153	Washer		X	21 X 33 X 2.5
15	530.105	Tension Pin		X	8 X 35
17	15386	Washer		X	
18	580.555	Fitting		X	X GE 12 LM 18 X 1.5
19	580.288	Hydraulic Tube		X	L=4200
20	580.563	Valve		X	BK DN 10/12
21	15387	Plate		X	
22	510.505	Hex Nut		X	M6
23	500.733	Hex Bolt		X	M6 X 20
24	580.395	Fitting		X	EVW 12-PL A4C
25	580.289	Hydraulic Tube		X	L=1600
26	580.024	Connector		X	DN 10/12-L
27	580.020	Bracket		X	DN 10
28	580.275	Hydraulic Tube		X	
29	570.632	Clamp		X	112 PP-LI
30	15860	Lever Arm		X	
31	15859	Plate		X	



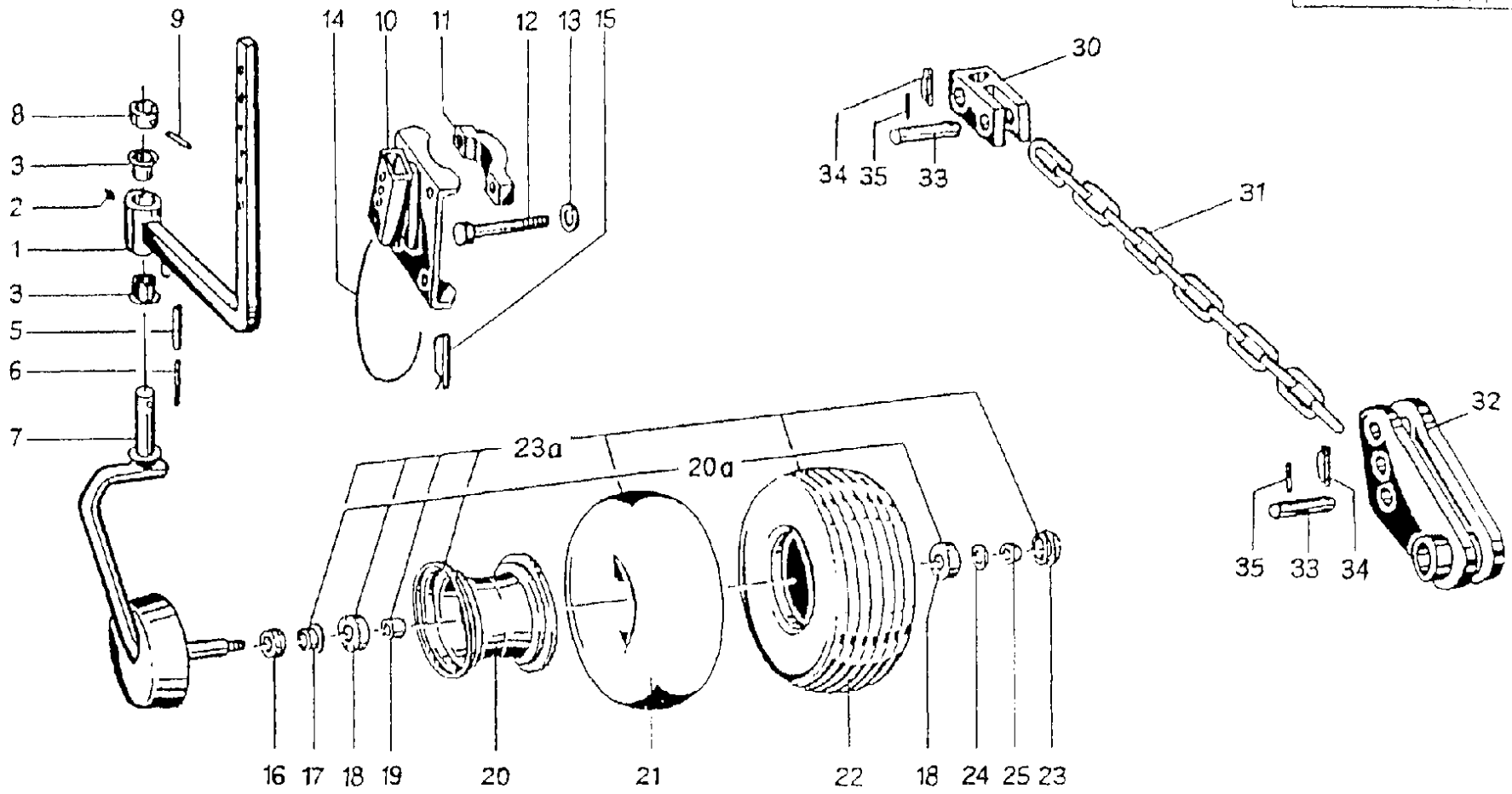
10000 - 334a

Reduction Gearbox - Tine Savers

Reduction Gearbox - Tine Savers

Item	Part Number	Description	Serial # Ranges	HR-785DH	Notes
1	10750	Housing		X	010750 G
2	500.791	Hex Bolt		X	M12 X 40
3	510.228	Hex Nut		X	M12
4	550.903	Felt Ring		X	45/57 X 5
5	520.470	Support Ring		X	45/55 X 3
6	10752	Sprocket		X	010752G Z=36
7	540.067	Grooved Ball Bearing		X	6005 2RS
8	10753	Spline Shaft		X	
9	593.003	Roller Chain		X	
10	593.004	Connecting Link		X	
11	540.076	Grooved Ball Bearing		X	6007 2RS
12	531.640	Securing Ring		X	J 62 X 2
13	10751	Housing		X	010751 G
14	500.744	Hex Bolt		X	M8 X 25
15	520.532	Spring Lock Washer		X	8
16	510.222	Hex Nut		X	M8
17	500.745	Hex Bolt		X	M8 X 30
18	10755	Guard		X	
25	600.416	Tine Safety Bracket		X	
26	10385	Clamp Washer		X	
27	500.431	Hex Bolt		X	M6 X 30
28	510.505	Hex Nut		X	M6
28a	10370	Safety Bracket		X	

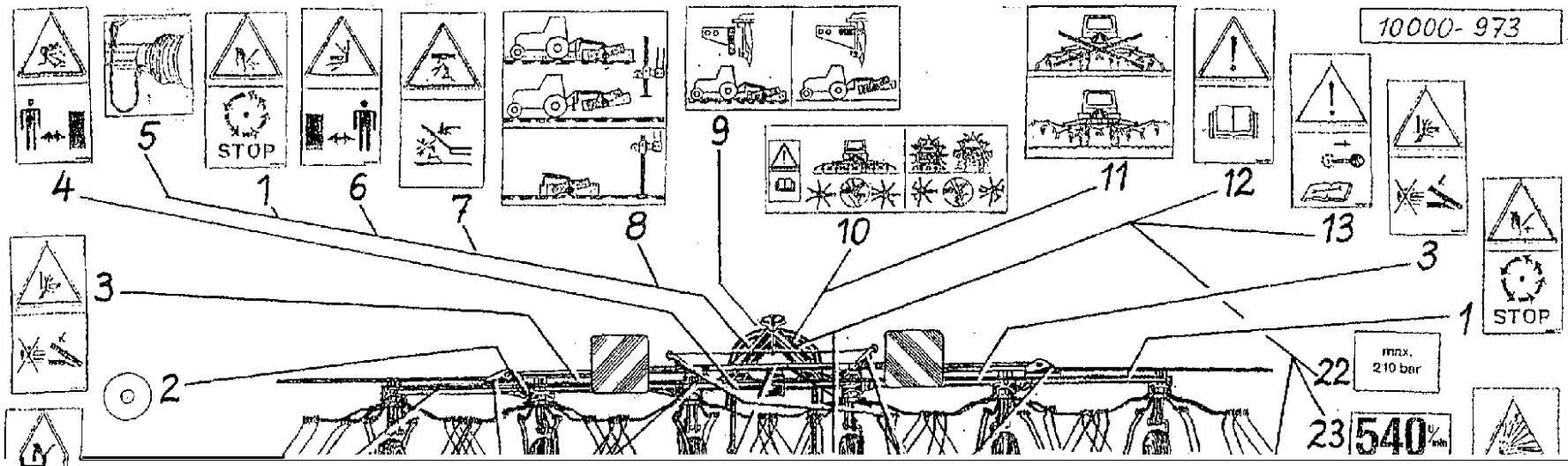
12000 - 1144



Depth Control Wheel

Depth Control Wheel

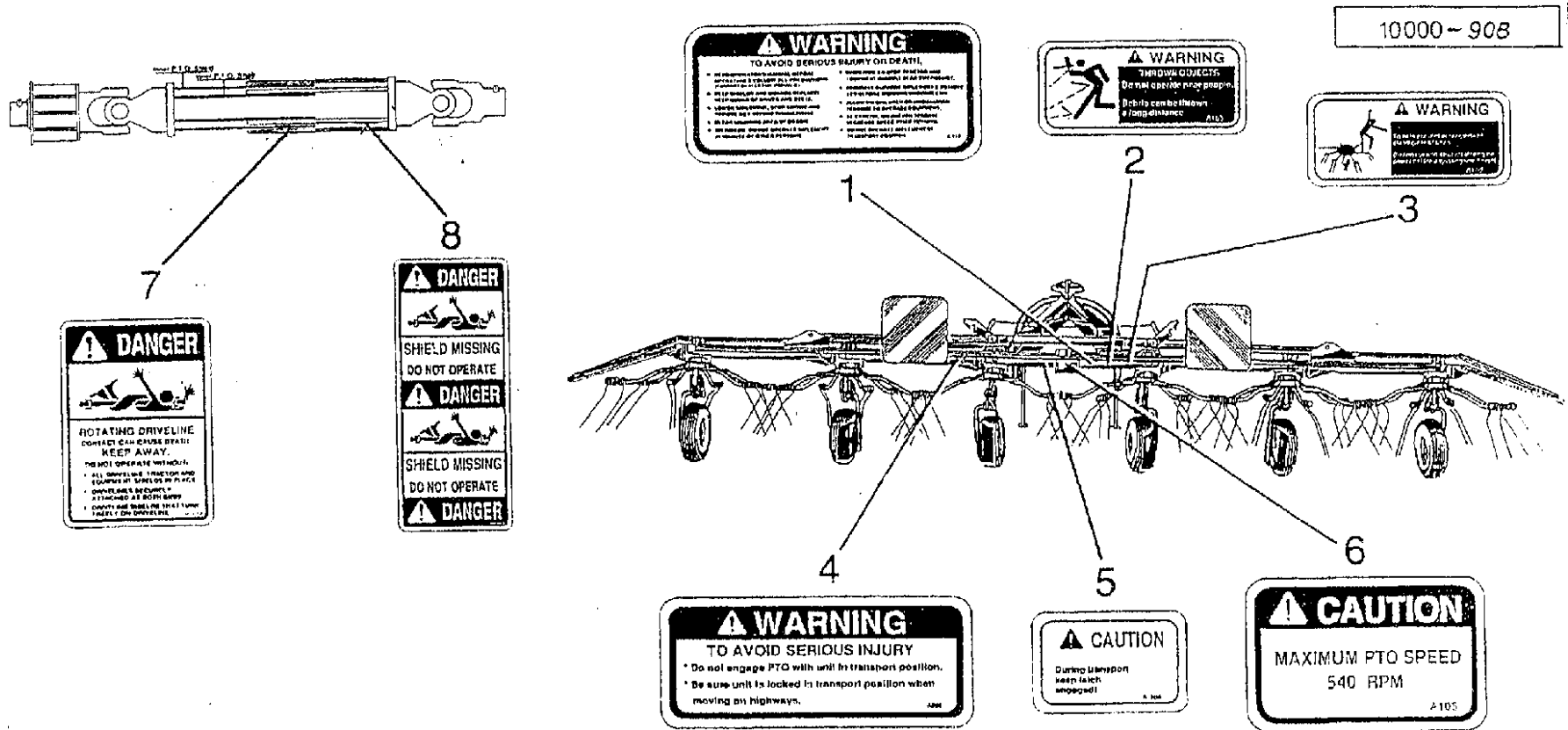
Item	Part Number	Description	Serial # Ranges	HR-785DH	Notes
1	16967	Wheel Bracket		X	
2	570.265	Grease Fitting		X	H1S 8 X 1
3	541.741	Flanged Bushing		X	30 / 34 / 42 X 26 DU BB-87
5	530.117	Tension Pin		X	10 X 70
6	530.070	Tension Pin		X	6 X 75
7	12832	Wheel Axle		X	
8	12835	Shoulder		X	
9	530.095	Tension Pin		X	8 X 45
10	19132	Bracket		X	
11	19131	Clamp		X	
12	500.876	Hex Bolt		X	M12 X 110
13	520.083	Washer		X	13 X 24 X 2.5
14	15050	Rope		X	L=500
15	570.233	Plug Connector		X	10 V
16	600.524	Cap		X	
17	551.176	Seal		X	942070005
18	540.150	Grooved Ball Bearing		X	6205 2Z
19	600.517	Spacer		X	
20	591.024	Rim		X	4.50 X 6 2
20a	591.023	Rim		X	4.50 X 6
21	591.221	Tube		X	15 X 6.00/6
22	591.125	Tire		X	15 X 6.00/6
23	600.518	Cap		X	
23a	591.350	Tire		X	365 X 140 15 X 6.00/6
24	520.094	Washer		X	14 X 35 X 4
25	510.517	Hex Nut		X	M12
30	16780	Chock		X	
31	570.112	Chain		X	12 Gld.
32	12554	Tongue		X	
33	16781	Pin		X	
34	570.245	Lynch Pin		X	5
35	530.045	Tension Pin		X	5 X 40



Decals

Decals

Item	Part Number	Description	Serial # Ranges	HR-785DH	Notes
1	646.411	Decal		X	
2	646.231	Decal		X	
3	646.415	Decal		X	
4	646.405	Decal		X	
5	646.882	Decal		X	
6	646.409	Decal		X	
7	646.840	Decal		X	
8	646.884	Decal		X	
9	646.859	Decal		X	
10	646.962	Decal		X	
11	646.845	Decal		X	
12	646.407	Decal		X	
13	646.413	Decal		X	
14	646.836	Decal		X	
15	646.850	Decal		X	
16	646.206	Decal		X	
17	646.428	Decal		X	
18	646.952	Decal		X	
19	646.251	Decal		X	
20	646.246	Decal		X	
21	646.867	Decal		X	
22	646.883	Decal		X	
23	646.358	Decal		X	



Decals

Decals

Item	Part Number	Description	Serial # Ranges	HR-785DH	Notes
1	646.013	Decal		X	
2	646.002	Decal		X	
3	646.001	Decal		X	
4	646.239	Decal		X	
5	646.007	Decal		X	
6	646.243	Decal		X	
7	646.010	Decal		X	
8	646.240	Decal		X	