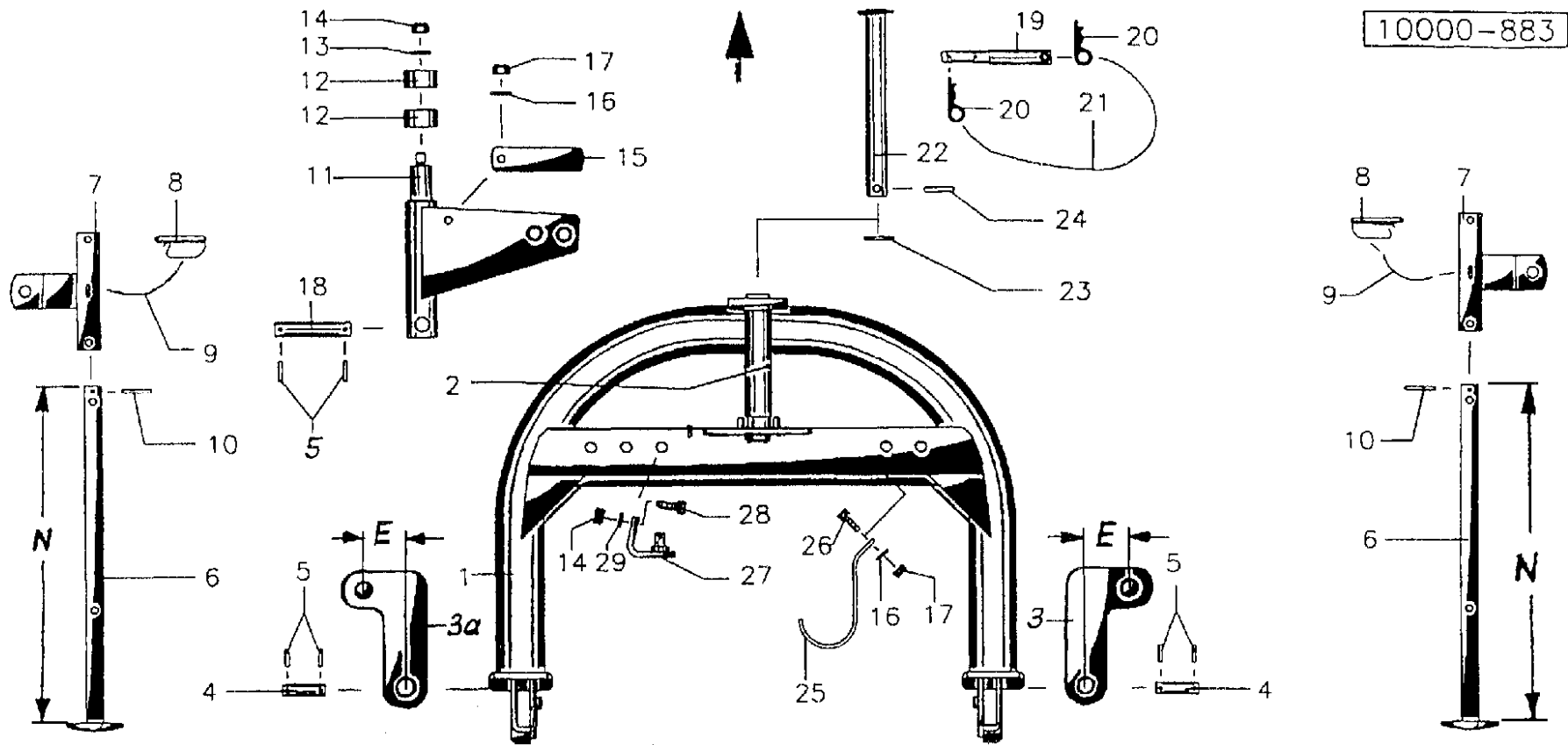


Table Of Contents

3 Point Headstock	2
Hitch Frame	4
Center Section Gearbox	6
Center Section Gearbox	8
Intermediate Frame Section	10
Outer Frame Section	12
Folding Hydraulics	14
Rotors	16
Angle Adjustment	18
Tires	20
Safety Frames	22
PTO Shaft - 611.107	24
PTO Shaft - 611.108	26
Transport Chassis	28
Transport Chassis Hydraulics	30
Angle Adjustment Hydraulics	32
Reduction Gearbox - Tine Savers	34
Depth Control Wheel	36
Decals	38
Decals	40



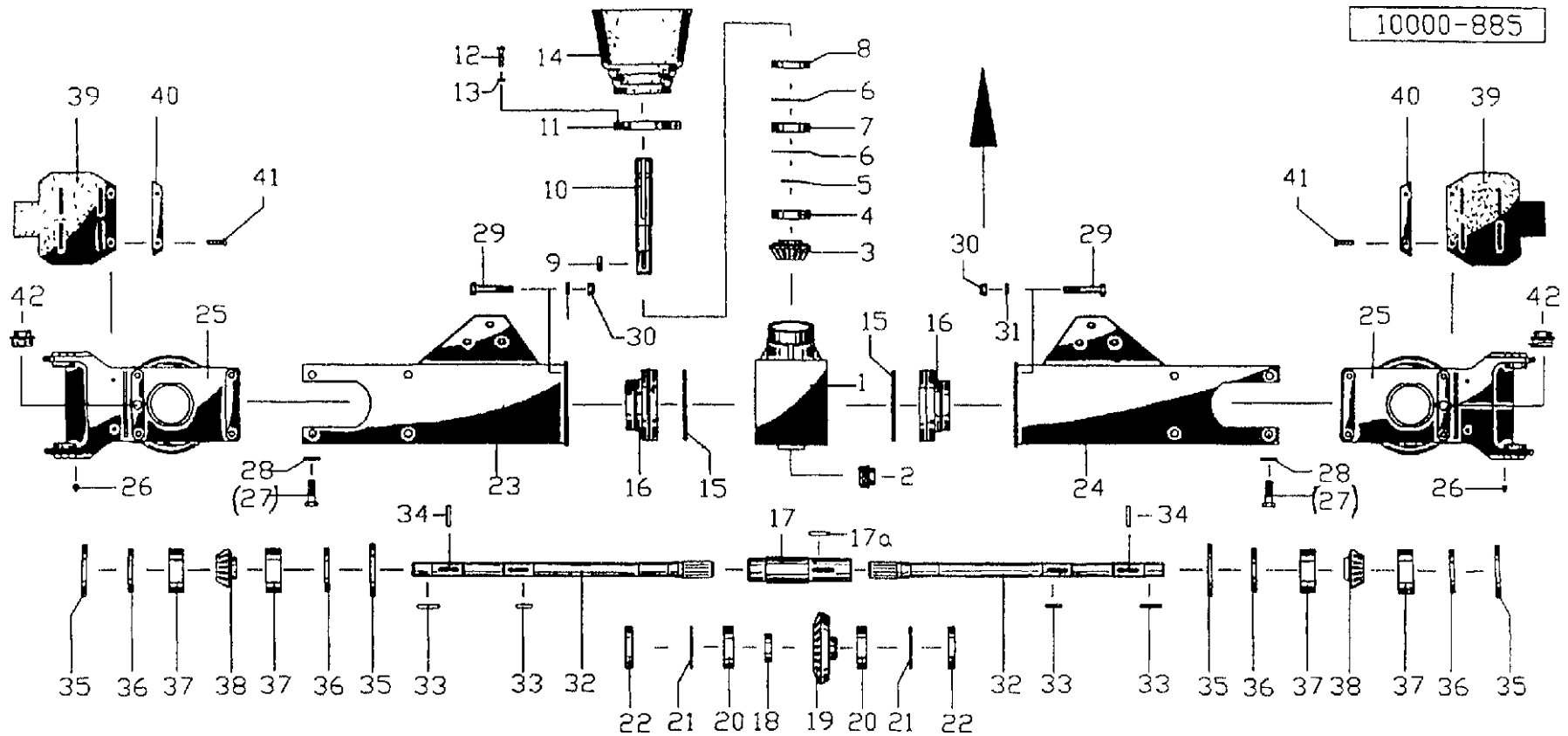
3 Point Headstock

3 Point Headstock

Item	Part Number	Description	Serial # Ranges	HR-675DH	Notes
1	15807	3 Point Headstock		X	
2	570.265	Grease Fitting		X	H1S 8 X 1
3	15668	Bracket		X	E=77
3a	15669	Bracket		X	E=77
4	15206	Axle		X	
5	530.063	Tension Pin		X	6 X 40
6	15436	Support		X	N=647
7	15760	Bracket		X	
8	570.233	Plug Connector		X	10 V
9	15050	Rope		X	L=500
10	530.209	Tension Pin		X	6 X 45
11	15759	Roller Axle		X	
12	541.740	Feed Roller		X	50 X 30
13	520.105	Washer		X	16.5 X 45 X 3
14	510.521	Hex Nut		X	M16
15	15809	Stop		X	
16	560.707	Spring Washer		X	28 X 12.2 X 1.5
17	510.451	Hex Nut		X	M12
18	10965	Axle		X	
19	11732	Top Link Pin		X	
20	570.226	Spring Clip		X	4
21	15049	Rope		X	L=1250
22	13062	Pin		X	
23	520.224	Washer		X	31.5 X 45 X 5
24	530.150	Tension Pin		X	12 X 50
25	10494	Support		X	
26	500.787	Hex Bolt		X	M12 X 35
27	15844	Bracket		X	
28	500.837	Hex Bolt		X	M16 X 40
29	520.614	Washer		X	16 X 32 X 2.5

Hitch Frame

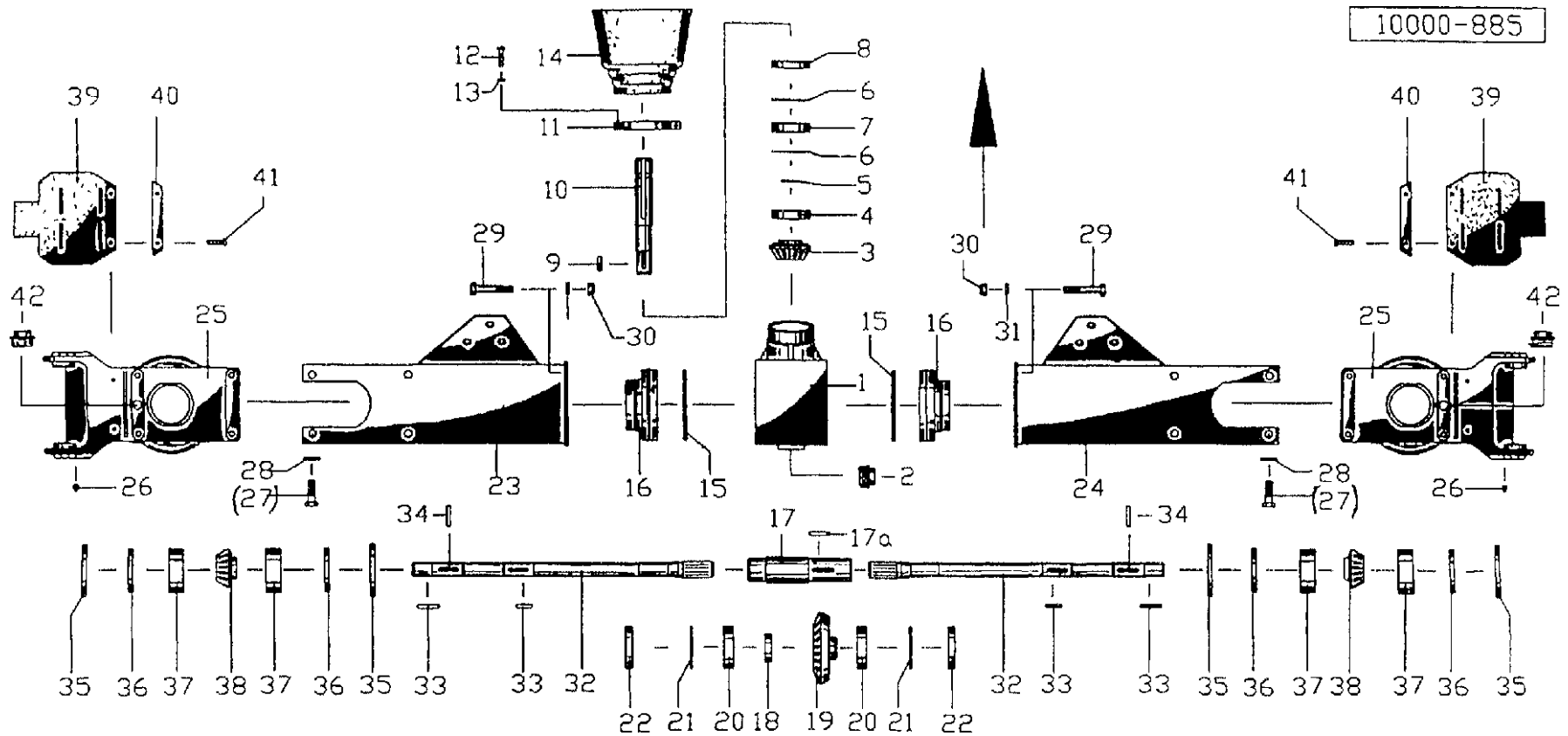
Item	Part Number	Description	Serial # Ranges	HR-675DH	Notes
1	15833	3 Point Carrying Frame		X	
2	600.414	Cap		X	
3	531.031	Groove Pin		X	3 X 10
4	520.004	Washer		X	3.7 X 11 X .8
5	500.917	Hex Bolt		X	M14 X 35
6	520.616	Washer		X	30 X 14 X 2.4
7	510.238	Hex Nut		X	M14
8	500.364	Hex Bolt		X	M14 X 60
9	520.599	Securing Ring		X	M14
10	15858	Spacer		X	
11	15838	Ratchet		X	
12	15532	Ring		X	
13	15832	Pin		X	
14	15848	Bushing		X	
15	530.207	Tension Pin		X	10 X 40
16	15847	Rope		X	1800
17	570.590	Cable Clamp		X	1/4
18	15029	Rope		X	L=4600
19	570.609	Clamp		X	15
20	520.063	Washer		X	11 X 34 X 3
21	15854	Pipe		X	
22	15853	Pipe		X	
23	15855	Clamping Piece		X	015855G
24	500.361	Hex Bolt		X	M10 X 90
25	560.727	Spring Washer		X	20 X 10.2 X 1.1
26	520.049	Washer		X	10.5 X 21 X 2
27	510.512	Hex Nut		X	M10
28	530.072	Tension Pin		X	6 X 30
29	520.119	Washer		X	17 X 27 X 2



Center Section Gearbox

Center Section Gearbox

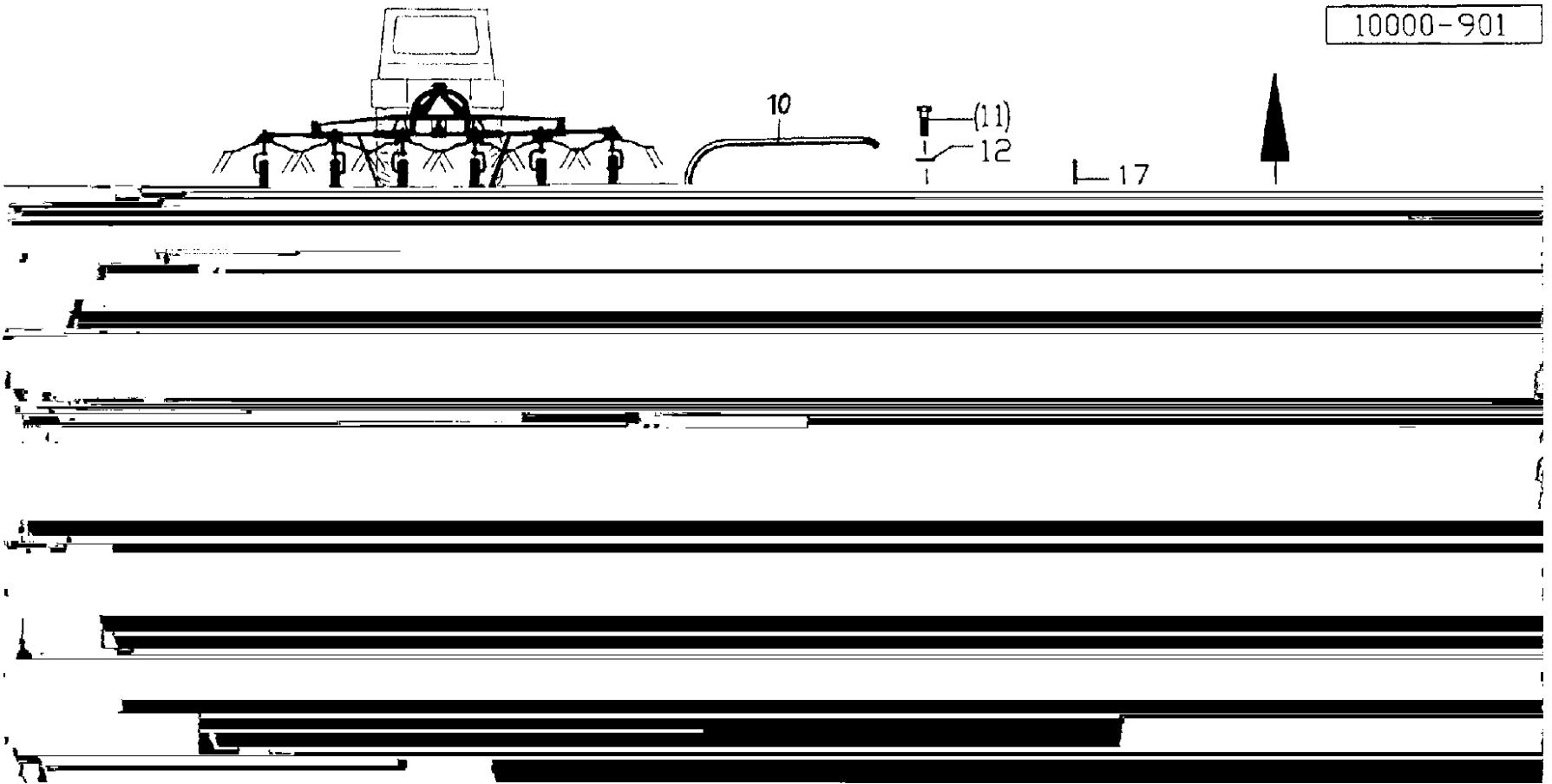
Item	Part Number	Description	Serial # Ranges	HR-675DH	Notes
1	15778	Housing		X	015778G
2	503.018	Plug		X	M42 X 2
3	15780	Pinion		X	Z=16
4	540.174	Grooved Ball Bearing		X	6208 2RS
5	531.528	Securing Ring		X	A 40 X 1.75
6	531.650	Securing Ring		X	J 80 X 2.5
7	540.257	Grooved Ball Bearing		X	6307 2RSR
8	550.049	Oil Seal		X	BA 35 X 80 X 12
9	531.358	Key		X	A 10 X 8 X 40
10	15779	Shaft		X	
11	610.570	Clamp		X	
12	503.126	Bolt		X	M5 X 25
13	510.602	Square Nut		X	M5
14	610.700	Protective Cone		X	
15	550.614	O-Ring		X	Or. 140 X 3
16	15782	Bearing Tube		X	
17	15783	Bushing		X	
17a	531.399	Key		X	A 14 X 9 X 45
18	15787	Ring		X	
19	15781	Pinion		X	Z=23
20	540.179	Grooved Ball Bearing		X	2RS C 3
21	531.653	Securing Ring		X	J 90 X 3
22	550.119	Oil Seal		X	BA 45 X 80 X 10
23	15817	Bracket		X	
24	15846	Bracket		X	
25	15784	Housing		X	015784G
26	570.265	Grease Fitting		X	H1S 8 X 1
27	500.922	Hex Bolt		X	M14 X 30
28	520.616	Washer		X	30 X 14 X 2.4
29	500.363	Hex Bolt		X	M14 X 190
30	510.536	Hex Nut		X	M14
31	520.599	Securing Ring		X	M14
32	15791	Shaft		X	
33	531.432	Key		X	AB 8 X 7 X 35
34	570.606	Clamp		X	20-32
35	531.640	Securing Ring		X	J 62 X 2
36	550.354	Nilos Ring		X	6206 ZJV
37	540.196	Grooved Ball Bearing		X	6206 2RS C3



Center Section Gearbox

Center Section Gearbox

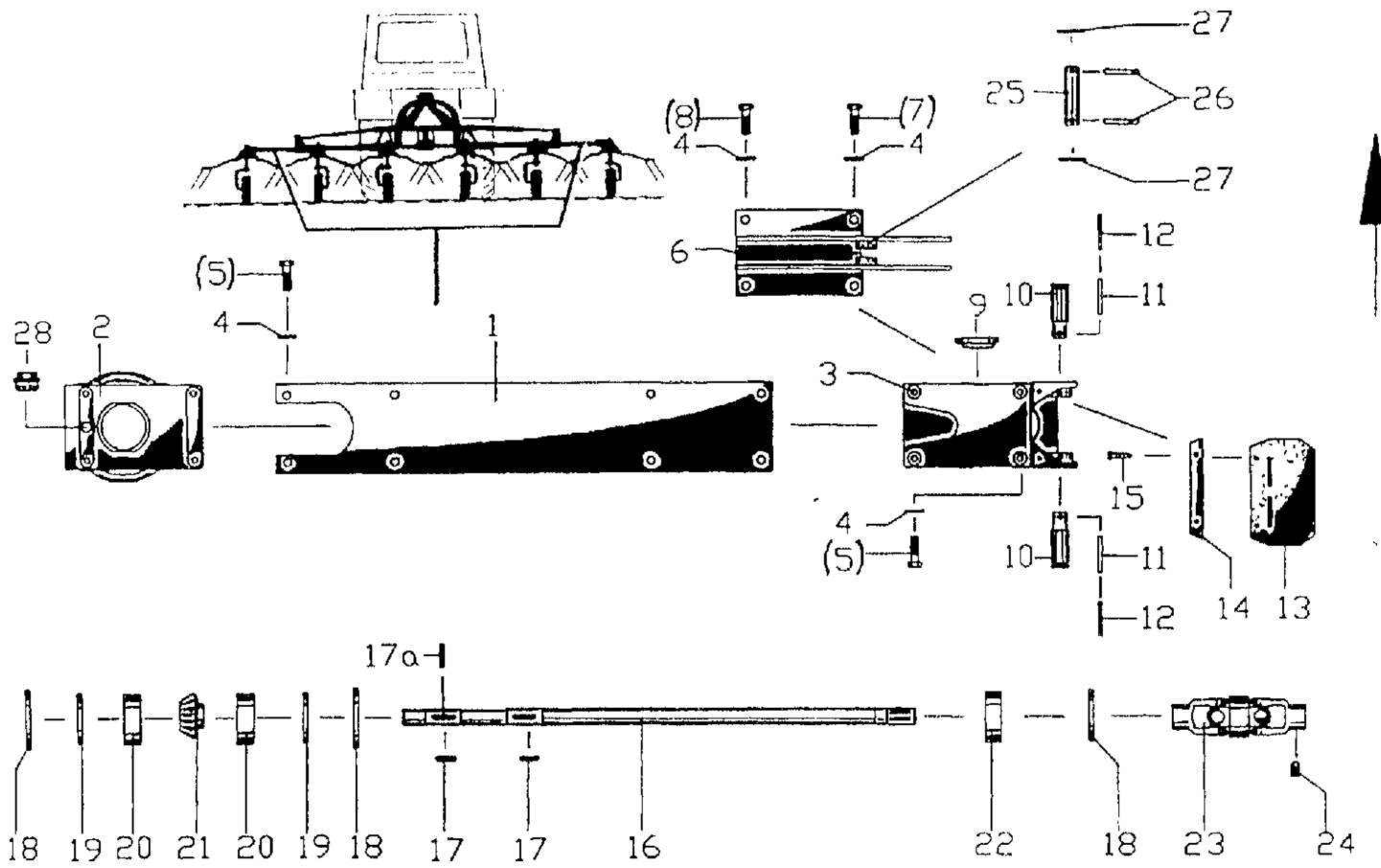
Item	Part Number	Description	Serial # Ranges	HR-675DH	Notes
38	15796	Pinion		X	Z=15
39	600.880	Cover Plate		X	
40	15857	Reinforcing Strap		X	
41	530.742	Blind Rivet		X	6 X 18
42	15864	Plug		X	



Intermediate Frame Section

Intermediate Frame Section

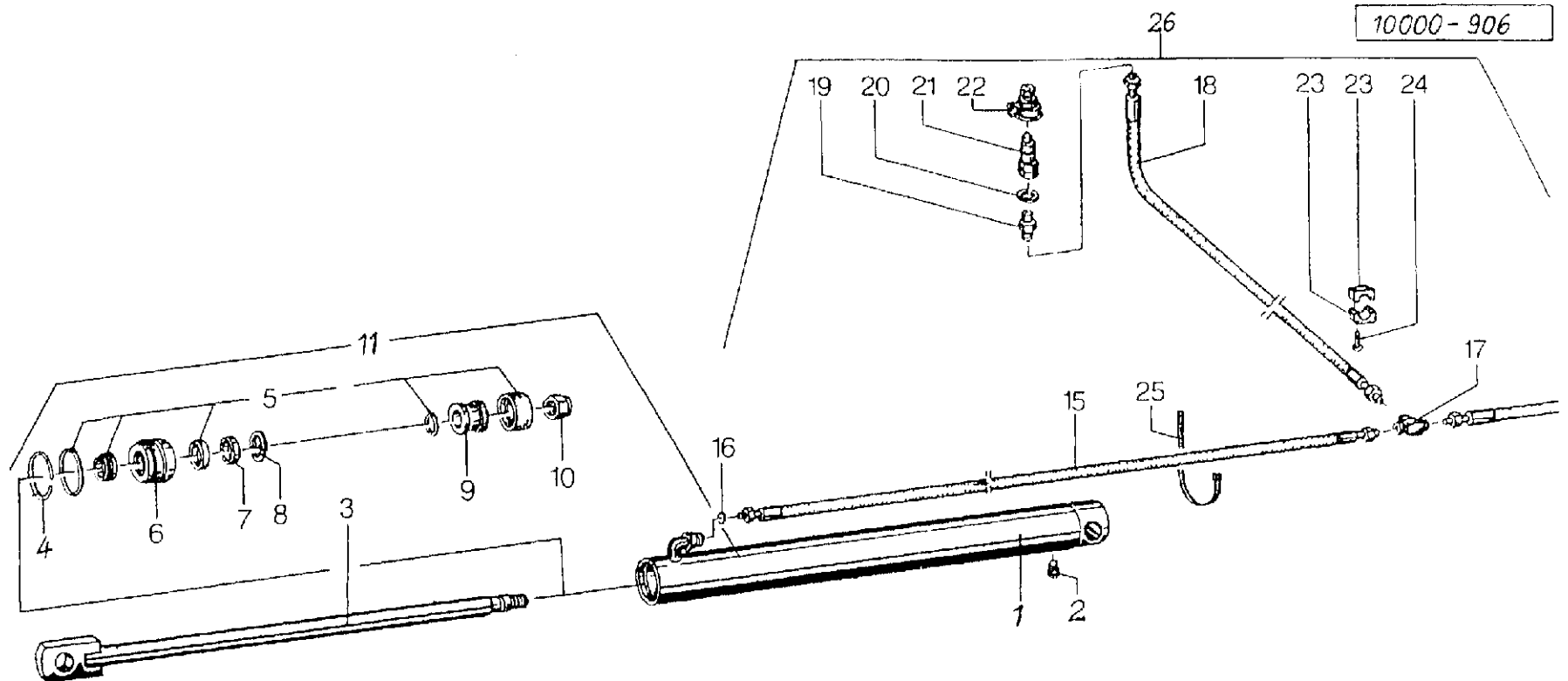
Item	Part Number	Description	Serial # Ranges	HR-675DH	Notes
1	15818	Bracket		X	
2	15784	Housing		X	015784G
3	15785	Swivel Bearing		X	015785G
4	570.265	Grease Fitting		X	H1S 8 X 1
5	500.922	Hex Bolt		X	M14 X 30
6	520.616	Washer		X	30 X 14 X 2.4
7	15840	Clamp		X	
8	520.094	Washer		X	14 X 35 X 4
9	15856	Binding Strip		X	
10	15843	Spring		X	
11	500.364	Hex Bolt		X	M14 X 60
12	520.616	Washer		X	30 X 14 X 2.4
13	500.923	Hex Bolt		X	M14 X 40
14	600.599	Plug		X	GPN 300 F42
15	15154	Pin		X	l=25
16	530.146	Tension Pin		X	8 X 45
17	530.145	Tension Pin		X	5 X 45
18	15790	Shaft		X	
19	531.432	Key		X	AB 8 X 7 X 35
19a	570.606	Clamp		X	20-32
20	531.640	Securing Ring		X	J 62 X 2
21	550.354	Nilos Ring		X	6206 ZJV
22	540.196	Grooved Ball Bearing		X	6206 2RS C3
23	15796	Pinion		X	Z=15
24	540.156	Grooved Ball Bearing		X	6206 2RS C3
25	612.140	Universal Joint		X	178340
26	503.570	Set Screw		X	M10 X 12
27	15864	Plug		X	



Outer Frame Section

Outer Frame Section

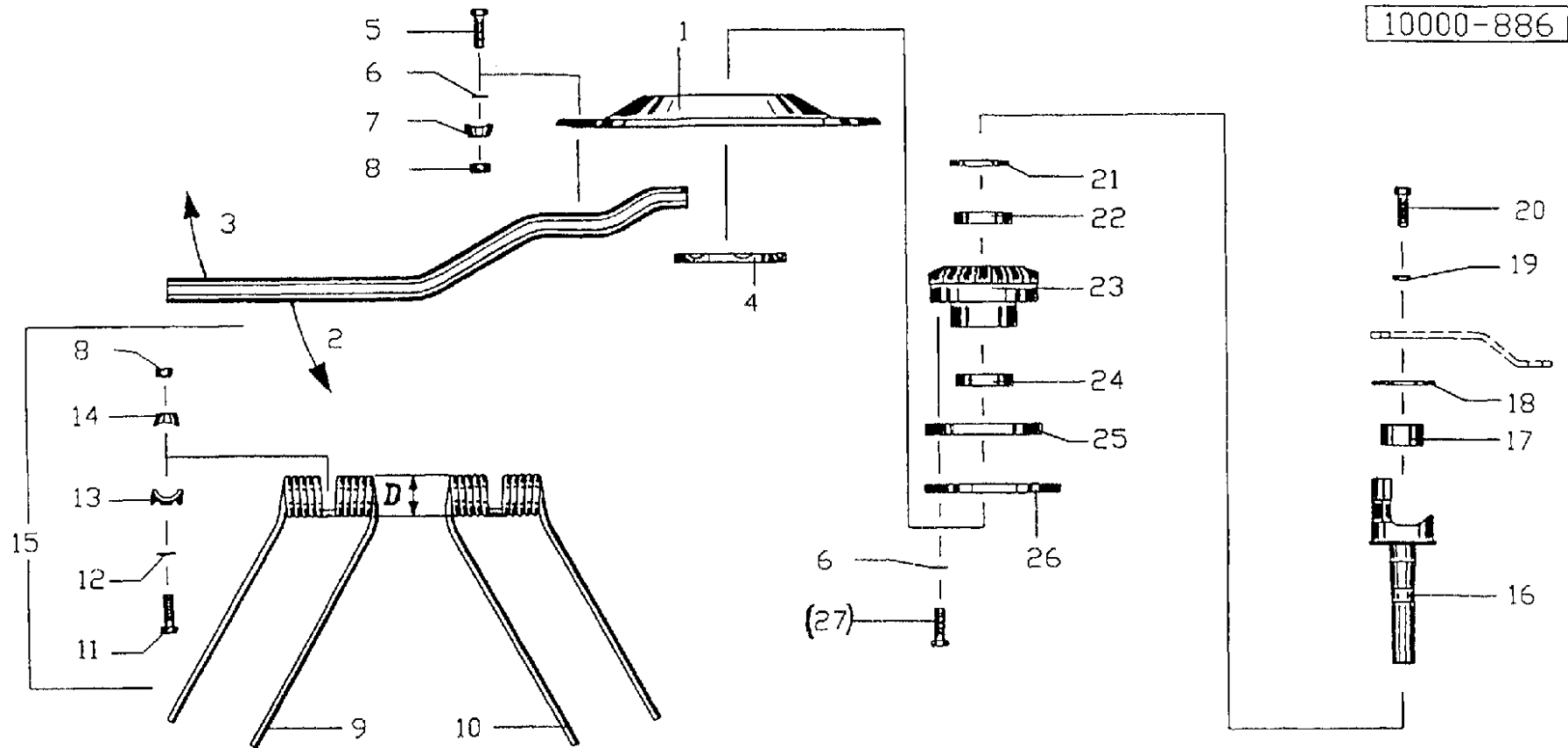
Item	Part Number	Description	Serial # Ranges	HR-675DH	Notes
1	15818	Bracket		X	
2	15786	Housing		X	015786G
3	15785	Swivel Bearing		X	015785G
4	520.616	Washer		X	30 X 14 X 2.4
5	500.922	Hex Bolt		X	M14 X 30
6	15825	Drawpiece		X	
7	500.928	Hex Bolt		X	M14 X 45
8	500.923	Hex Bolt		X	M14 X 40
9	600.599	Plug		X	GPN 300 F42
10	15154	Pin		X	l=25
11	530.146	Tension Pin		X	8 X 45
12	530.145	Tension Pin		X	5 X 45
13	600.875	Cover Plate		X	
14	15828	Reinforcing Strap		X	
15	530.742	Blind Rivet		X	6 X 18
16	15790	Shaft		X	
17	531.432	Key		X	AB 8 X 7 X 35
17a	570.606	Clamp		X	20-32
18	531.640	Securing Ring		X	J 62 X 2
19	550.354	Nilos Ring		X	6206 ZJV
20	540.196	Grooved Ball Bearing		X	6206 2RS C3
21	15796	Pinion		X	Z=15
22	540.156	Grooved Ball Bearing		X	6206 2RS C3
23	612.140	Universal Joint		X	178340
24	503.570	Set Screw		X	M10 X 12
25	11996	Roller Axle		X	
26	520.190	Washer		X	26 X 40 X 2.5
27	530.146	Tension Pin		X	8 X 45
28	15864	Plug		X	



Folding Hydraulics

Folding Hydraulics

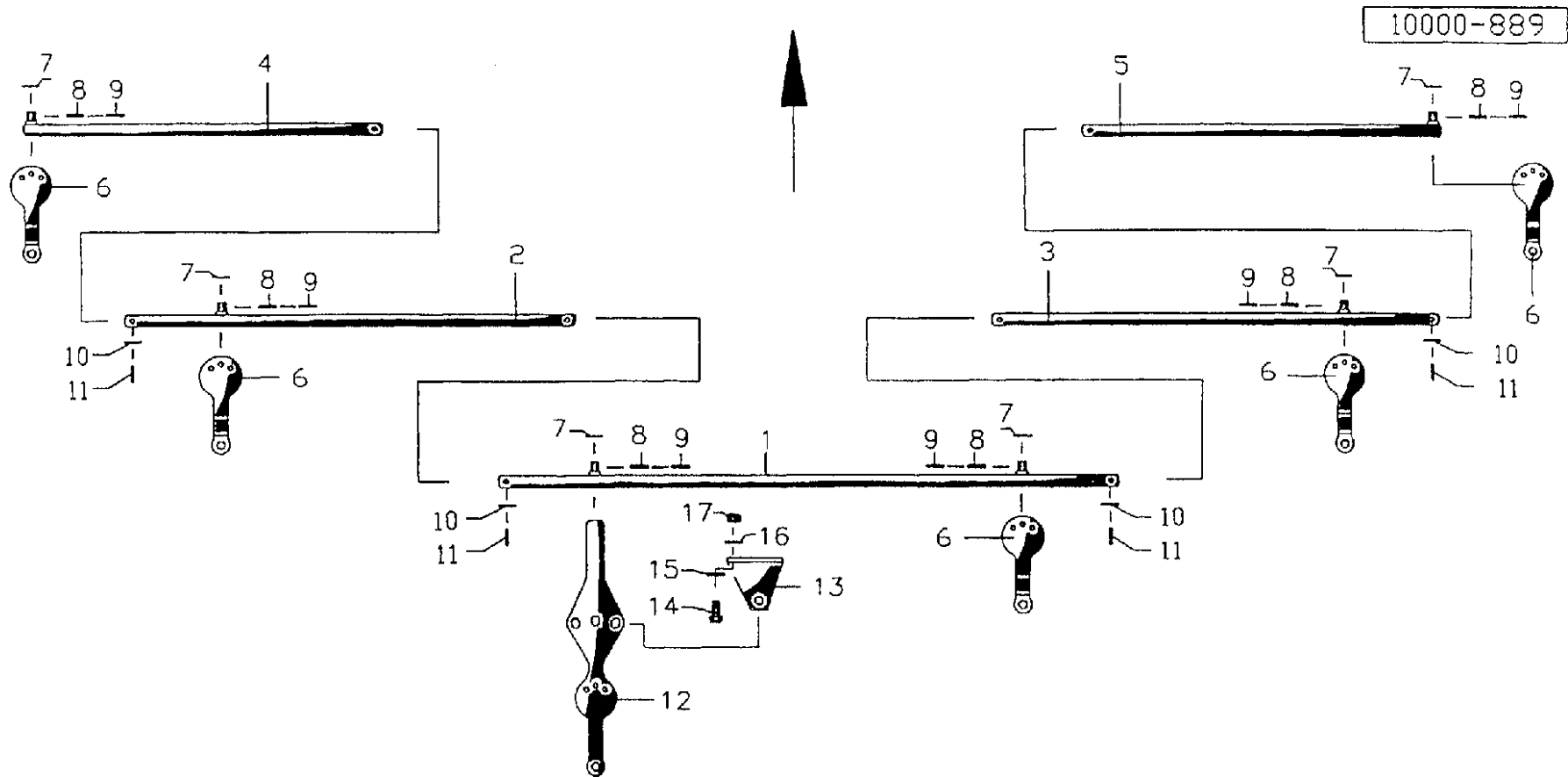
Item	Part Number	Description	Serial # Ranges	HR-675DH	Notes
1	15141	Cylinder Tube		X	M10 X 1 RB 55 1-14-89-046
2	570.327	Vent		X	
3	15142	Piston Rod		X	
4	531.780	Spring Ring		X	
5	580.167	Seal Kit		X	
6	15144	Shoulder		X	J 33 X 1.2 M20 X 1.5
7	10848	Ring		X	
8	531.716	Securing Ring		X	
9	15143	Piston		X	
10	510.460	Hex Nut		X	
11	15140	Cylinder		X	1-14-89-046
15	580.252	Hydraulic Tube		X	240 DN 6 X 1300
16	15175	Restrictor		X	
17	580.382	Fitting		X	xT-8L A3C
18	580.263	Hydraulic Tube		X	240 DN 6 X 2500
19	580.361	Fitting		X	x GE 8-LR 1/2SA
20	551.112	Coupling		X	21/26 X 1.5
21	580.019	Connector		X	JG 1/2
22	580.020	Bracket		X	DN 10
23	570.588	Clamp Section		X	112 APP
24	501.900	Bolt		X	M6 X 16
25	570.120	Bond		X	KB 3/75 X 270
26	580.635	Hydraulic Tube		X	



Rotors

Rotors

Item	Part Number	Description	Serial # Ranges	HR-675DH	Notes
1	13006	Plate		X	
2	15090	Tine Arm		X	
3	15089	Tine Arm		X	
4	15465	Clamp Segment		X	015465G
5	500.489	Hex Bolt		X	M12 X 65
6	520.085	Washer		X	13 X 25 X 3
7	10205	Chock		X	10205 G
8	510.517	Hex Nut		X	M12
9	600.061	Tine		X	D=69
10	600.062	Tine		X	D=69
11	500.494	Hex Bolt		X	M12 X 85
12	520.096	Washer		X	14 X 35 X 6
13	15677	Chock		X	015677G
14	15702	Chock		X	015702G
15	15703	Bolt Complete for Tine		X	
16	15793	Shaft		X	
17	15794	Shoulder		X	
18	550.608	O-Ring		X	Or. 78 X 3
19	520.534	Spring Lockwasher		X	12
20	500.412	Hex Bolt		X	M12 X 65
21	15808	Washer		X	
22	540.077	Grooved Ball Bearing		X	6007 2RS C3
23	15795	Pinion		X	Z=30
24	540.073	Grooved Ball Bearing		X	6006 2RS C3
25	550.134	Oil Seal		X	BASL 150 X 180 X 13
26	15802	Cover		X	
27	500.354	Hex Bolt		X	M12 X 60

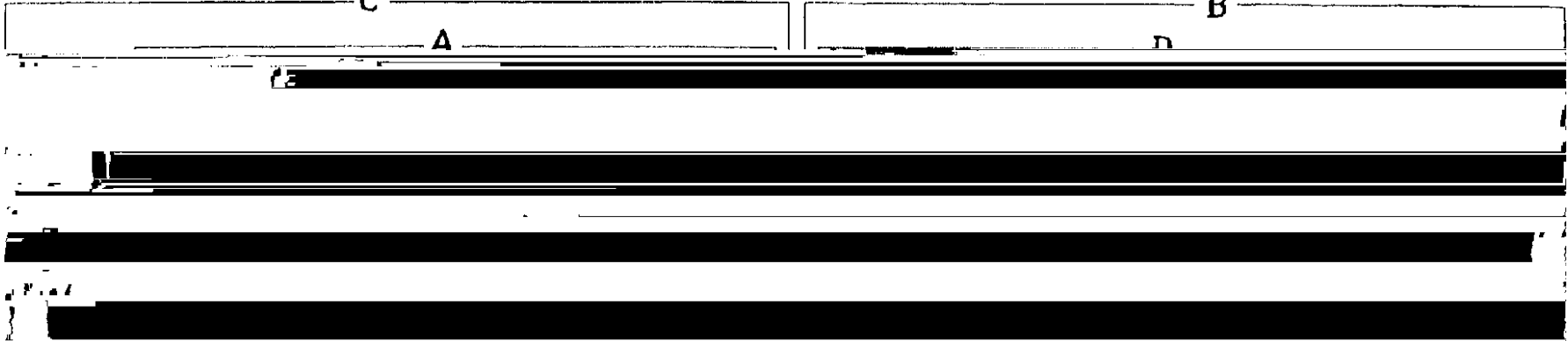
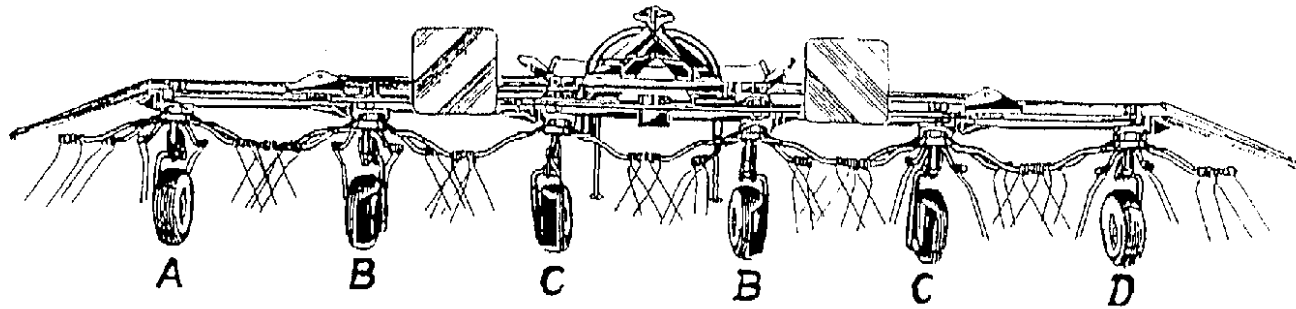


Angle Adjustment

Angle Adjustment

Item	Part Number	Description	Serial # Ranges	HR-675DH	Notes
1	15814	Rod		X	
2	15813	Rod		X	
3	15812	Rod		X	
4	15811	Rod		X	
5	15810	Rod		X	
6	15792	Lever Arm		X	
7	520.153	Washer		X	21 X 33 X 2.5
8	530.105	Tension Pin		X	8 X 35
9	530.052	Tension Pin		X	5 X 35
10	520.083	Washer		X	13 X 24 X 2.5
11	530.073	Tension Pin		X	5 X 25
12	15841	Lever		X	
13	15842	Bracket		X	
14	500.909	Hex Bolt		X	M14 X 40
15	520.103	Washer		X	15 X 28 X 2.5
16	520.616	Washer		X	30 X 14 X 2.4
17	510.238	Hex Nut		X	M14

10000-890

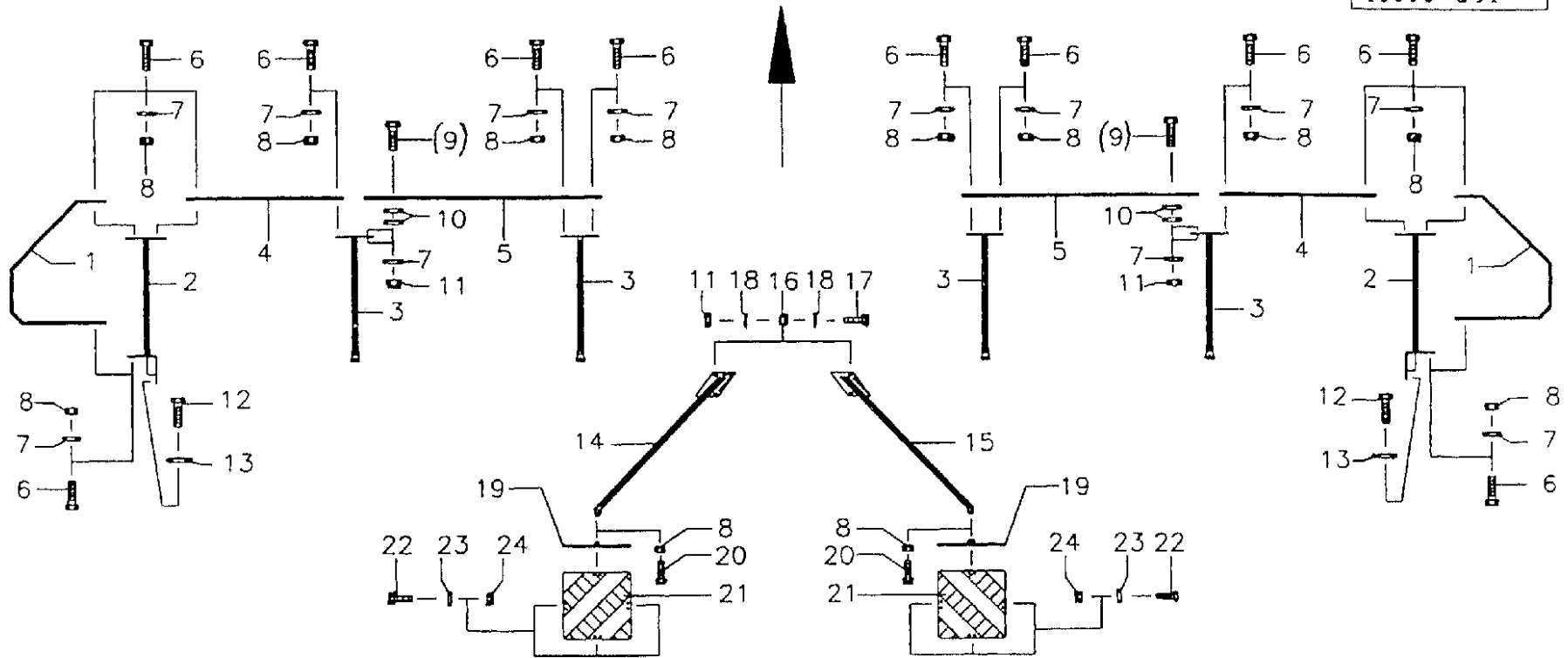


Tires

Tires

Item	Part Number	Description	Serial # Ranges	HR-675DH	Notes
1	15804	Wheel Bracket		X	
2	530.132	Tension Pin		X	12 X 55
3	530.082	Tension Pin		X	7 X 55
4	15287	Wheel Fork		X	
5	15286	Wheel Fork		X	
6	500.788	Hex Bolt		X	M12 X 35
7	520.083	Washer		X	13 X 24 X 2.5
8	510.517	Hex Nut		X	M12
9	15214	Cover		X	
10	551.176	Seal		X	942070005
11	540.150	Grooved Ball Bearing		X	6205 2Z
12	600.517	Spacer		X	
13	591.027	Rim		X	5.5A X 8
14	600.518	Cap		X	
15	591.026	Rim		X	5.5A X 8
16	591.218	Tube		X	16/6.50-8
17	591.120	Tire		X	16/6.50 X 8/4 T-510
18	591.353	Wheel		X	16 x 6.5/8
19	520.094	Washer		X	14 X 35 X 4
20	510.517	Hex Nut		X	M12
21	15369	Guard		X	
22	15370	Guard		X	
23	15109	Clamp		X	
24	15108	Clamp		X	
25	500.753	Hex Bolt		X	M8 X 35
26	510.509	Hex Nut		X	M8

10000-891

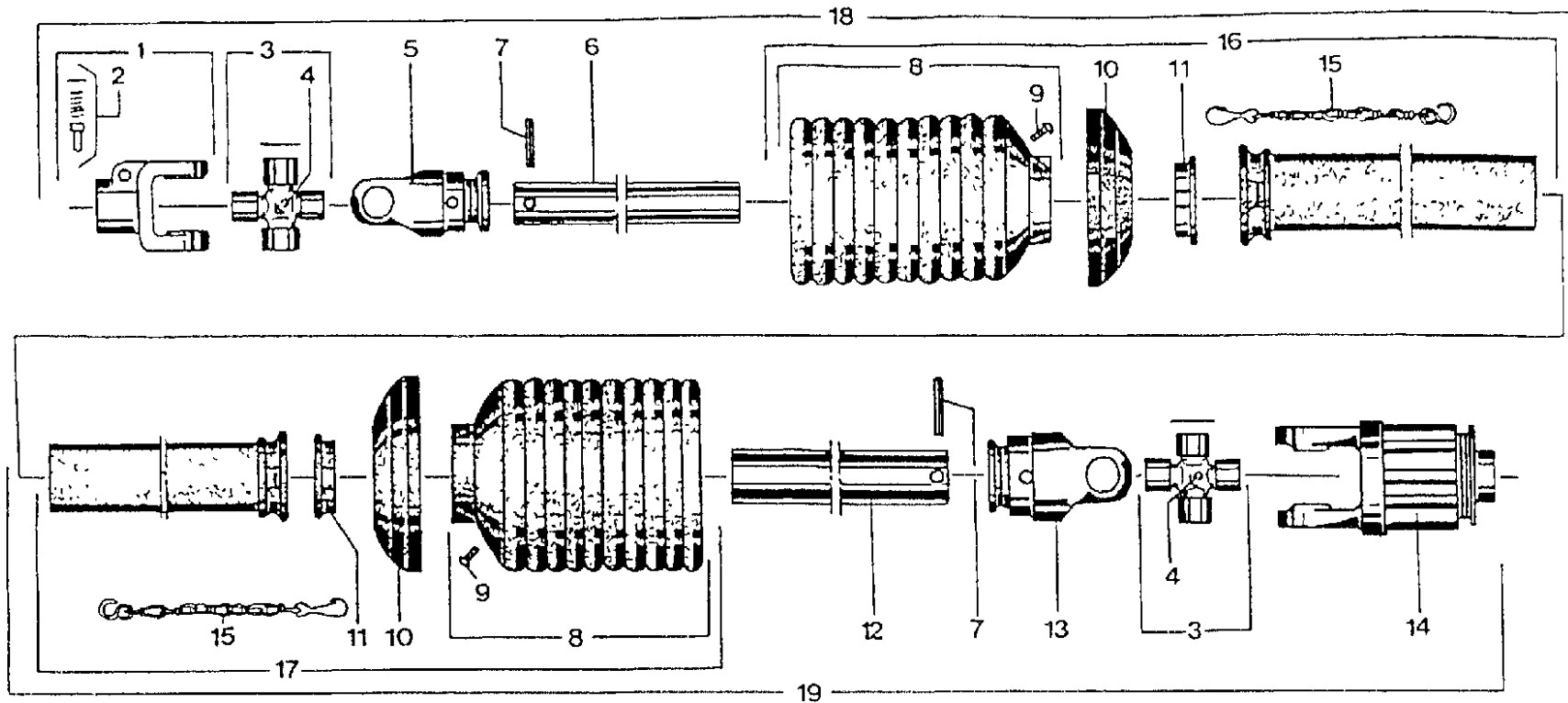


Safety Frames

Safety Frames

Item	Part Number	Description	Serial # Ranges	HR-675DH	Notes
1	15820	Safety Frame		X	
2	15819	Bracket		X	
3	15823	Safety Frame		X	
4	15821	Safety Frame		X	
5	15822	Safety Frame		X	
6	500.771	Hex Bolt		X	M10 X 25
7	520.598	Washer		X	SK 10B
8	510.227	Hex Nut		X	M10
9	500.903	Hex Bolt		X	M10 X 30
10	560.727	Spring Washer		X	20 X 10.2 X 1.1
11	510.512	Hex Nut		X	M10
12	500.922	Hex Bolt		X	M14 X 30
13	520.616	Washer		X	30 X 14 X 2.4
14	15851	Bracket		X	
15	15850	Bracket		X	
16	15849	Bushing		X	
17	500.772	Hex Bolt		X	M10 X 30
18	520.055	Washer		X	10.5 X 28 X 2
19	16656	Bracket		X	
20	500.776	Hex Bolt		X	M10 X 35
21	600.478	Warning Plate		X	
22	500.734	Hex Bolt		X	M6 X 16
23	520.019	Washer		X	6.4 X 18 X 1.6
24	510.505	Hex Nut		X	M6

0001 - 137

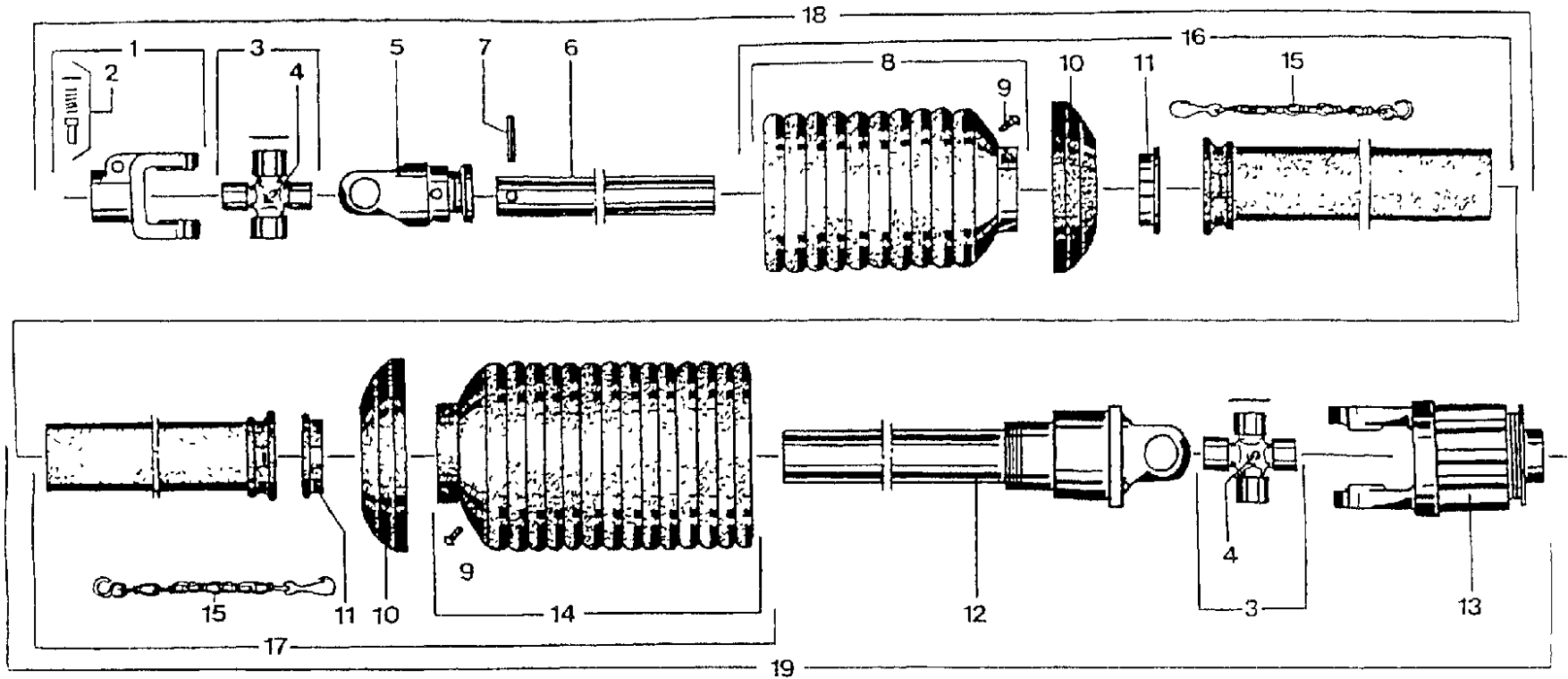


PTO Shaft - 611.107

PTO Shaft - 611.107

Item	Part Number	Description	Serial # Ranges	HR-675DH	Notes
1	610.004	Yoke		X	041378
2	610.043	Push Pin		X	339107
3	610.053	Cross Kit		X	044444
4	610.047	Grease Fitting		X	084099
5	610.020	Grooved Yoke		X	041315
6	610.212	Profile Tube		X	094791
7	530.116	Tension Pin		X	10 X 65
8	610.936	Protective Cone		X	365350
9	610.046	Bolt		X	365305
10	610.692	Support Collar		X	359471
11	610.681	Sliding Ring		X	087279
12	610.234	Profile Tube		X	053575
13	610.027	Grooved Yoke		X	041318
14	610.110	Ratchet Clutch		X	348119
15	610.566	Stop Chain		X	044321
16	610.964	Guard Section		X	197043
17	610.981	Guard Section		X	188408
18	610.480	PTO Shaft Section		X	104517
19	610.481	PTO Shaft Section		X	104518

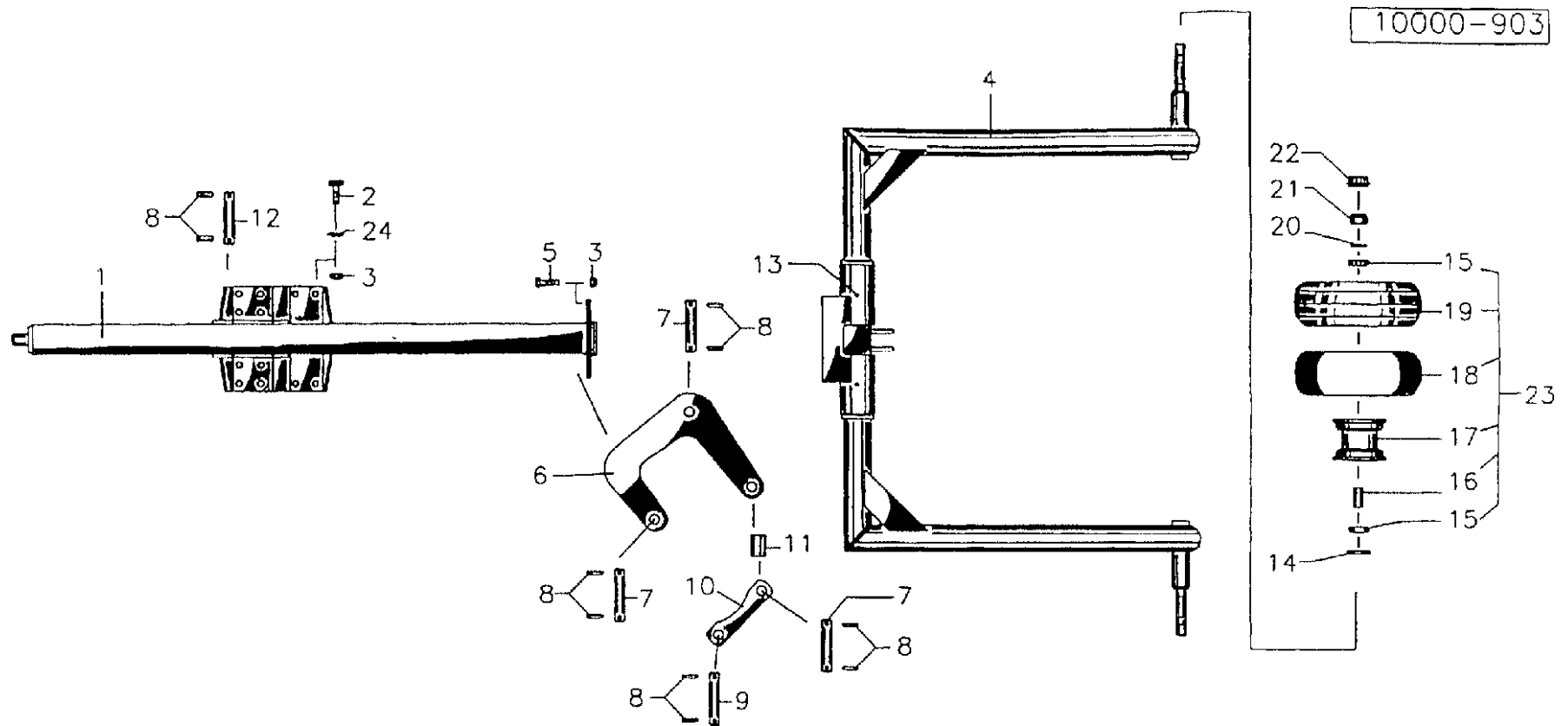
0001 - 156



PTO Shaft - 611.108

PTO Shaft - 611.108

Item	Part Number	Description	Serial # Ranges	HR-675DH	Notes
1	610.004	Yoke		X	041378
2	610.043	Push Pin		X	339107
3	610.053	Cross Kit		X	044444
4	610.047	Grease Fitting		X	084099
5	610.020	Grooved Yoke		X	041315
6	610.341	Profile Tube		X	058738
7	530.116	Tension Pin		X	10 X 65
8	610.936	Protective Cone		X	365350
9	610.046	Bolt		X	365305
10	610.692	Support Collar		X	359471
11	610.681	Sliding Ring		X	087279
12	612.131	Profile Tube w/Overrunning Clutch		X	105999
13	610.110	Ratchet Clutch		X	348119
14	612.044	Protective Cone		X	173552
15	610.566	Stop Chain		X	044321
16	610.964	Guard Section		X	197043
17	610.988	Guard Section		X	106549
18	612.042	PTO Shaft Section		X	106017
19	612.046	PTO Shaft Section		X	106019

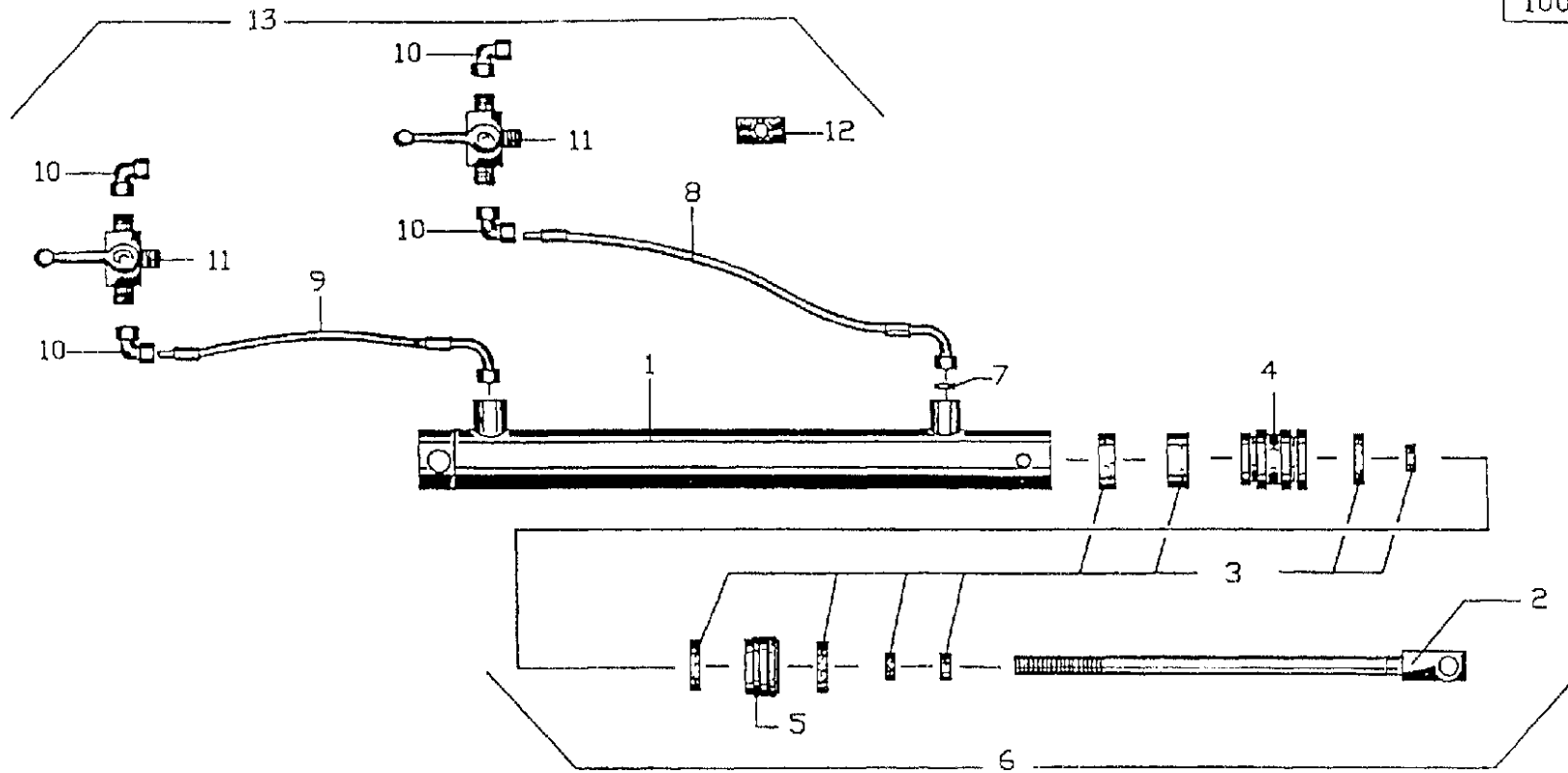


Transport Chassis

Transport Chassis

Item	Part Number	Description	Serial # Ranges	HR-675DH	Notes
1	15681	Frame Tube		X	
2	500.509	Hex Bolt		X	M14 X 65
3	510.536	Hex Nut		X	M14
4	15575	Carriage Frame		X	
5	500.921	Hex Bolt		X	M14 X 50
6	15578	Lever		X	
7	15586	Pin		X	
8	530.107	Tension Pin		X	8 X 40
9	07327	Pin		X	
10	15580	Joint		X	
11	15581	Pipe		X	
12	15675	Pin		X	
13	570.265	Grease Fitting		X	H1S 8 X 1
14	12706	Cap		X	
15	540.149	Grooved Ball Bearing		X	6205 2RSR
16	600.505	Bushing		X	
17	591.025	Rim		X	7.00 X 8
18	591.222	Tube		X	18 X 8.55/8 TR-13
19	591.126	Tire		X	18 X 8.50/8 4 PR
20	12667	Compression Ring		X	
21	510.526	Hex Nut		X	M24
22	600.518	Cap		X	
23	591.360	Wheel		X	20.5 X 8.0-10
24	520.103	Washer		X	15 X 28 X 2.5

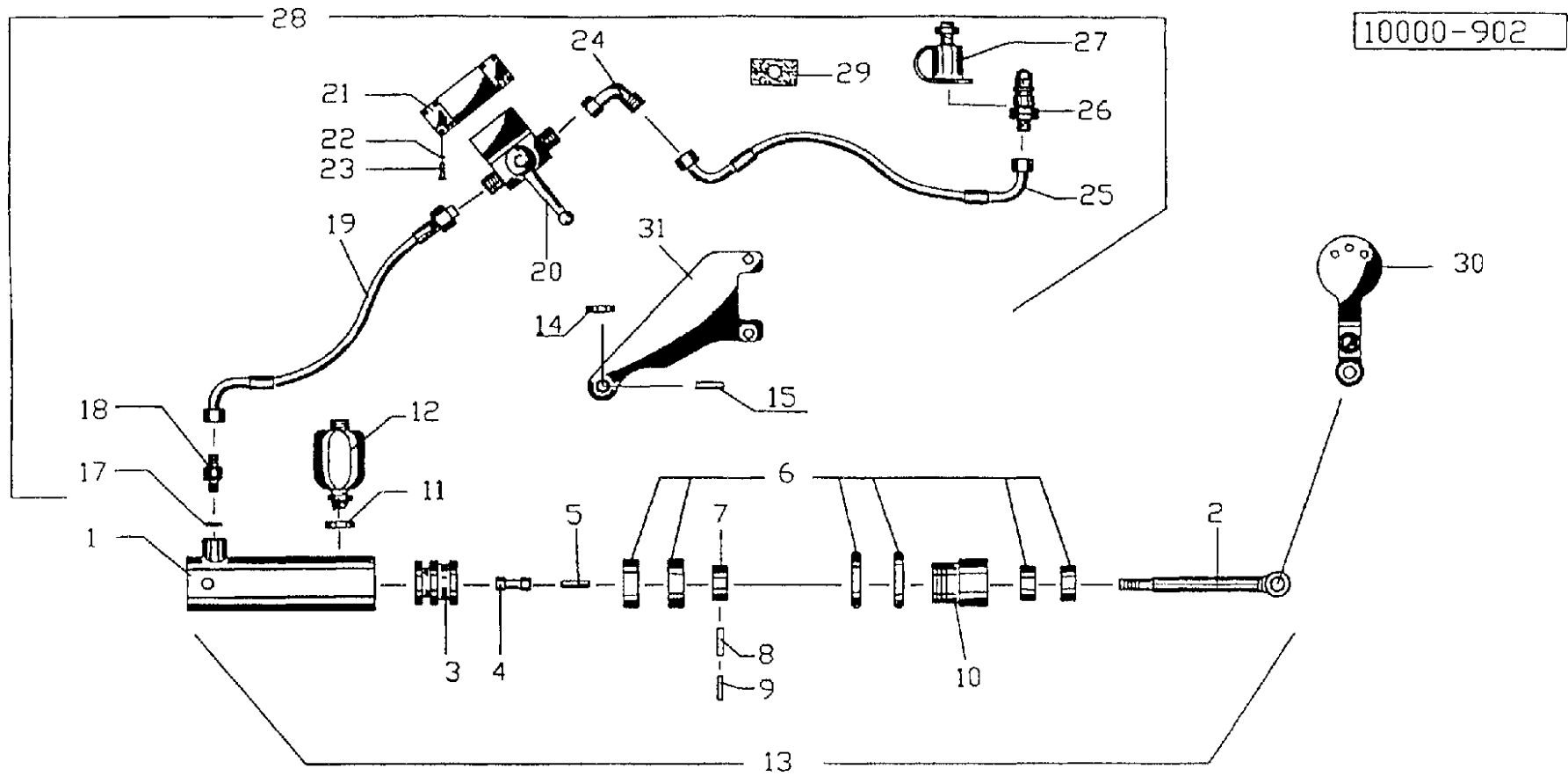
10000-801



Transport Chassis Hydraulics

Transport Chassis Hydraulics

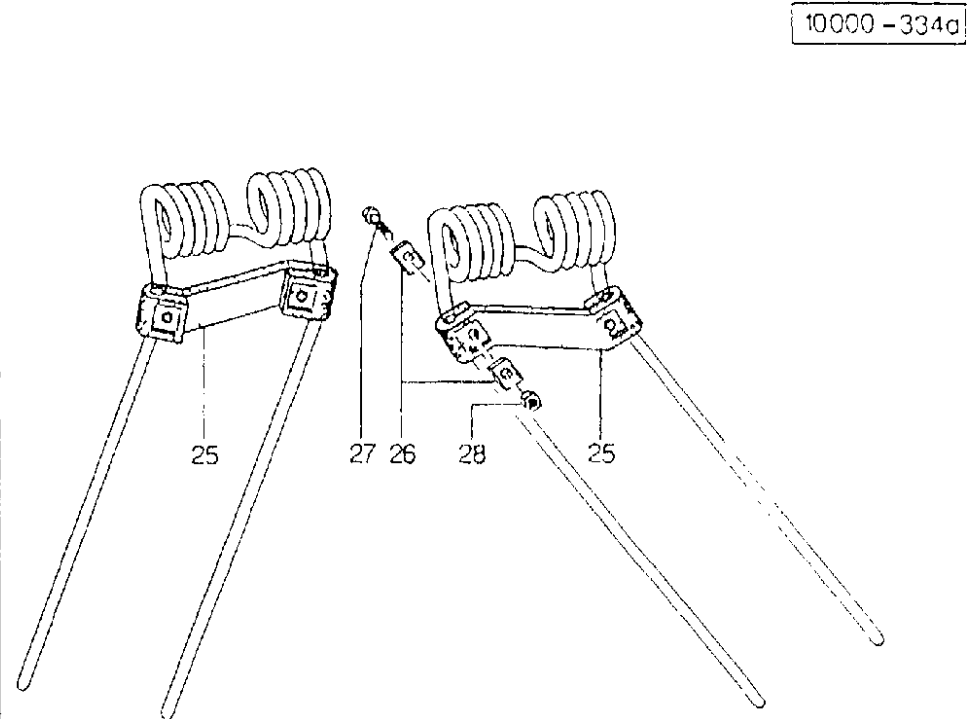
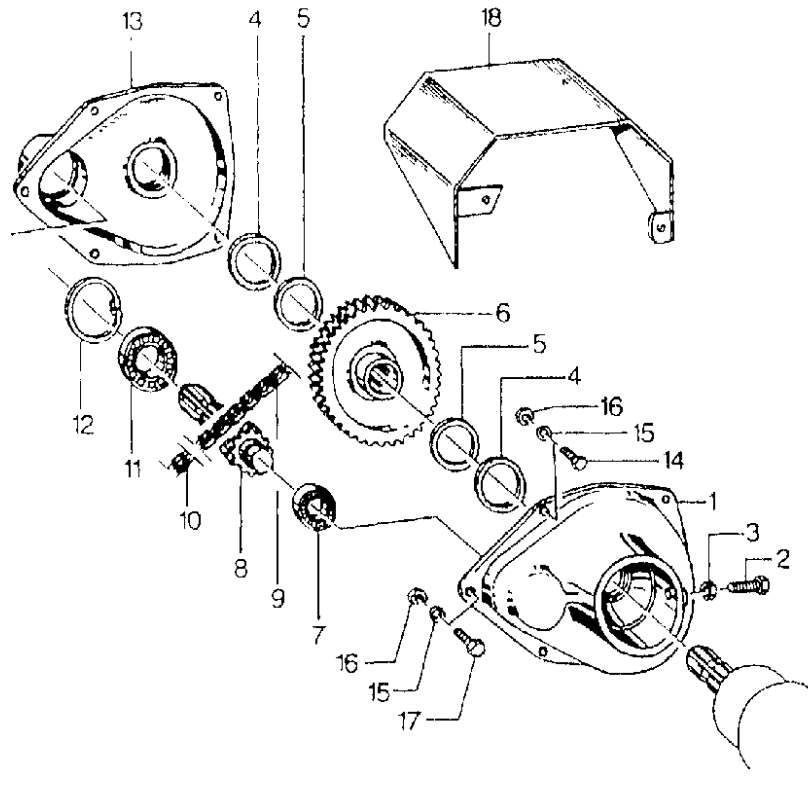
Item	Part Number	Description	Serial # Ranges	HR-675DH	Notes
1	15733	Cylinder Tube		X	015674
2	15734	Piston Rod		X	
3	580.704	Seal Kit		X	
4	15735	Piston		X	
5	15736	Guide		X	
6	15674	Hydraulic Cylinder		X	1.0 2900 2400 EVW 12 PL A4C
7	15322	Restrictor		X	
8	580.706	Hydraulic Tube		X	
9	580.705	Hydraulic Tube		X	
10	580.401	Fitting		X	
11	580.640	Valve		X	DBK DN10/12-L SP112 PP DP AS
12	570.641	Clamp		X	
13	580.647	Hydraulic Tube		X	



Angle Adjustment Hydraulics

Angle Adjustment Hydraulics

Item	Part Number	Description	Serial # Ranges	HR-675DH	Notes
1	15342	Cylinder Tube		X	
2	15341	Piston Rod		X	
3	15344	Piston		X	
4	15345	Spring		X	
5	530.050	Tension Pin		X	5 X 26
6	580.172	Seal Kit		X	1-14-91-072
7	15346	Spacer		X	
8	530.031	Tension Pin		X	4 X 30
9	530.011	Tension Pin		X	2.5 X 30
10	15343	Guide Nut		X	
11	551.178	Sealing Ring		X	U-16, 7-24-1.5
12	580.029	Reservoir		X	SBO 210
13	580.161	Hydraulic Cylinder		X	1-14-91-072
14	520.153	Washer		X	21 X 33 X 2.5
15	530.105	Tension Pin		X	8 X 35
17	15386	Washer		X	
18	580.555	Fitting		X	X GE 12 LM 18 X 1.5
19	580.288	Hydraulic Tube		X	L=4200
20	580.563	Valve		X	BK DN 10/12
21	15387	Plate		X	
22	510.505	Hex Nut		X	M6
23	500.733	Hex Bolt		X	M6 X 20
24	580.395	Fitting		X	EVW 12-PL A4C
25	580.289	Hydraulic Tube		X	L=1600
26	580.024	Connector		X	DN 10/12-L
27	580.020	Bracket		X	DN 10
28	580.275	Hydraulic Tube		X	
29	570.632	Clamp		X	112 PP-LI
30	15860	Lever Arm		X	
31	15859	Plate		X	

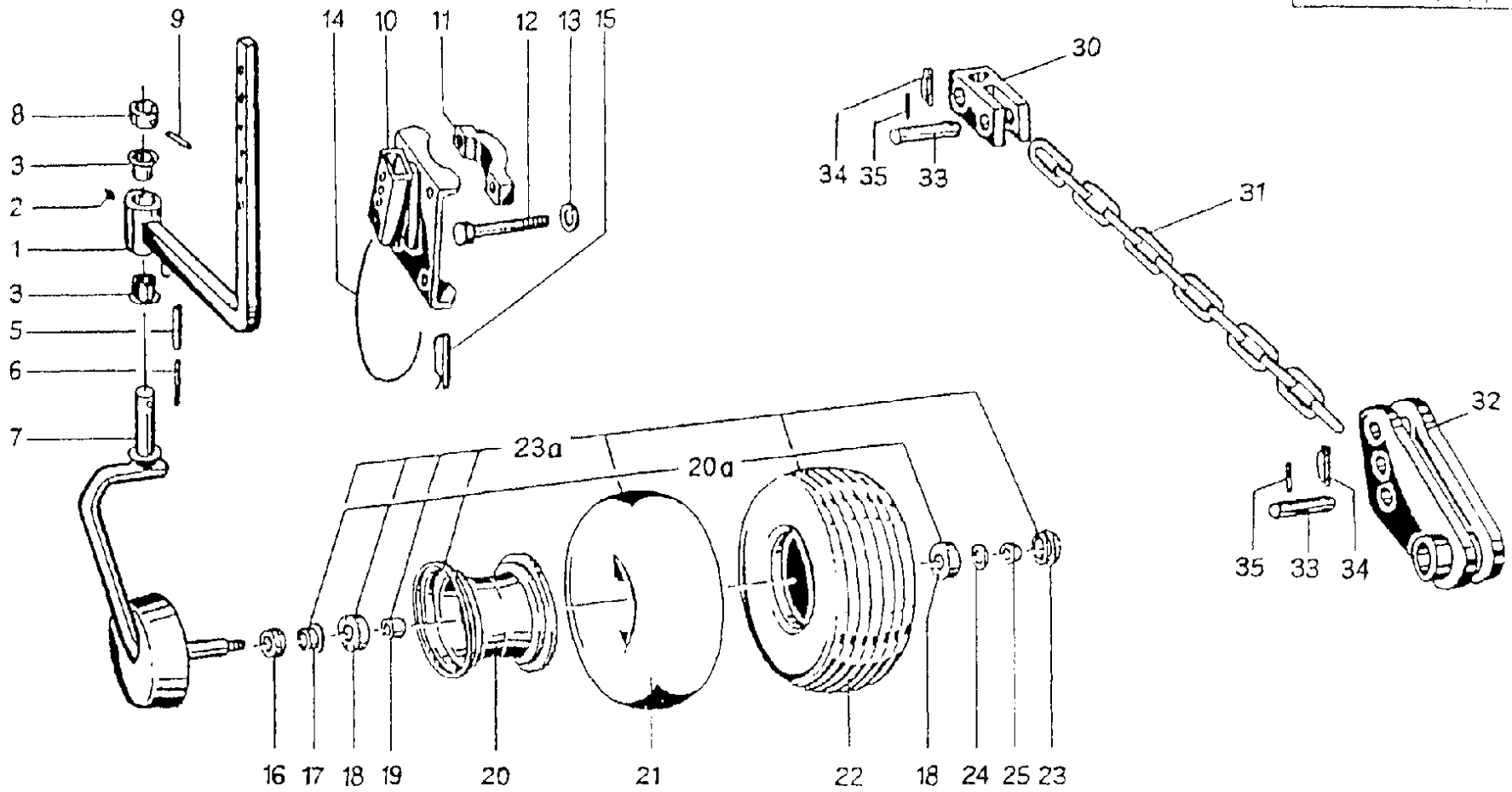


Reduction Gearbox - Tine Savers

Reduction Gearbox - Tine Savers

Item	Part Number	Description	Serial # Ranges	HR-675DH	Notes
1	10750	Housing		X	010750 G
2	500.791	Hex Bolt		X	M12 X 40
3	510.228	Hex Nut		X	M12
4	550.903	Felt Ring		X	45/57 X 5
5	520.470	Support Ring		X	45/55 X 3
6	10752	Sprocket		X	010752G Z=36
7	540.067	Grooved Ball Bearing		X	6005 2RS
8	10753	Spline Shaft		X	
9	593.003	Roller Chain		X	
10	593.004	Connecting Link		X	
11	540.076	Grooved Ball Bearing		X	6007 2RS
12	531.640	Securing Ring		X	J 62 X 2
13	10751	Housing		X	010751 G
14	500.744	Hex Bolt		X	M8 X 25
15	520.532	Spring Lock Washer		X	8
16	510.222	Hex Nut		X	M8
17	500.745	Hex Bolt		X	M8 X 30
18	10755	Guard		X	
25	600.416	Tine Safety Bracket		X	
26	10385	Clamp Washer		X	
27	500.431	Hex Bolt		X	M6 X 30
28	510.505	Hex Nut		X	M6
28a	10370	Safety Bracket		X	

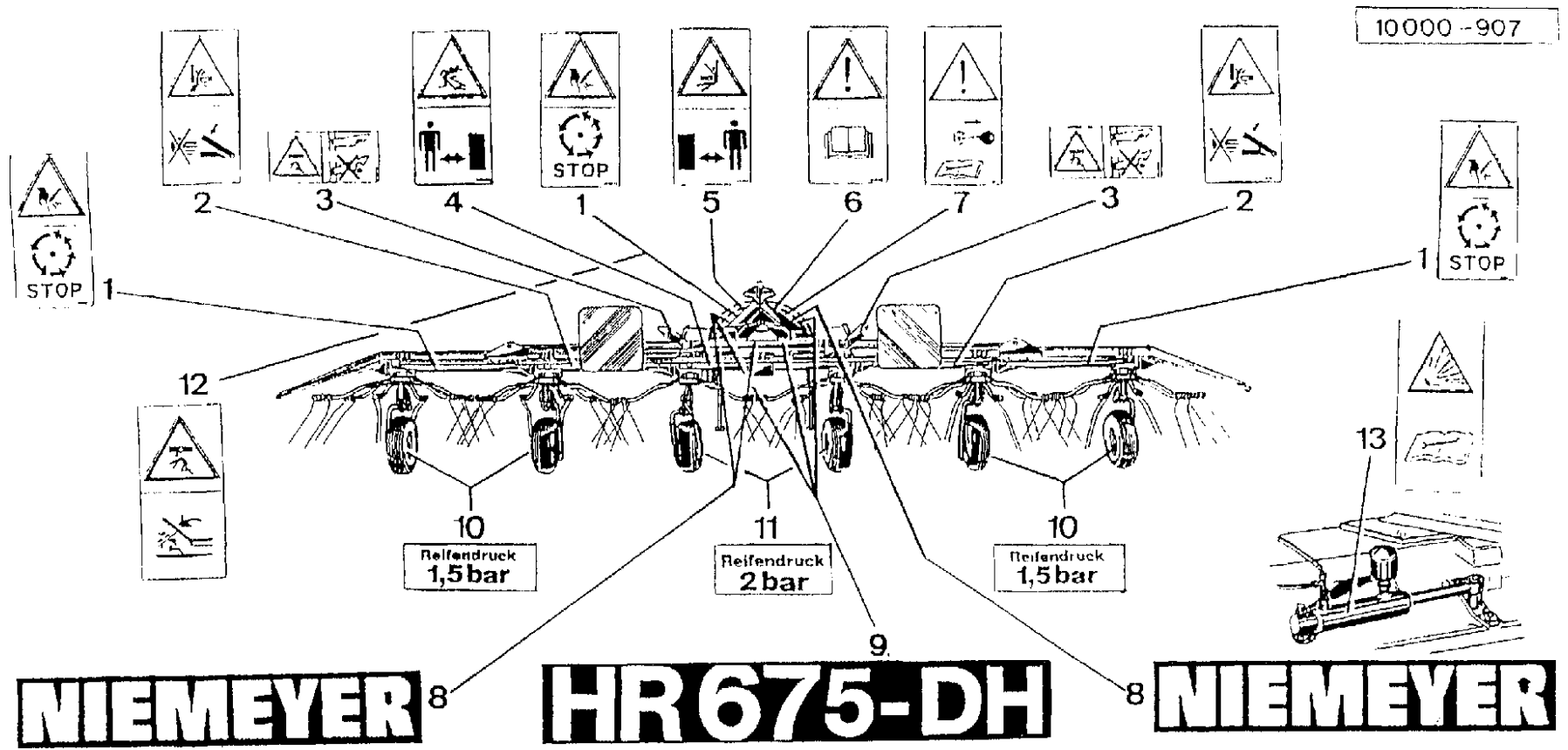
12000 - 1144



Depth Control Wheel

Depth Control Wheel

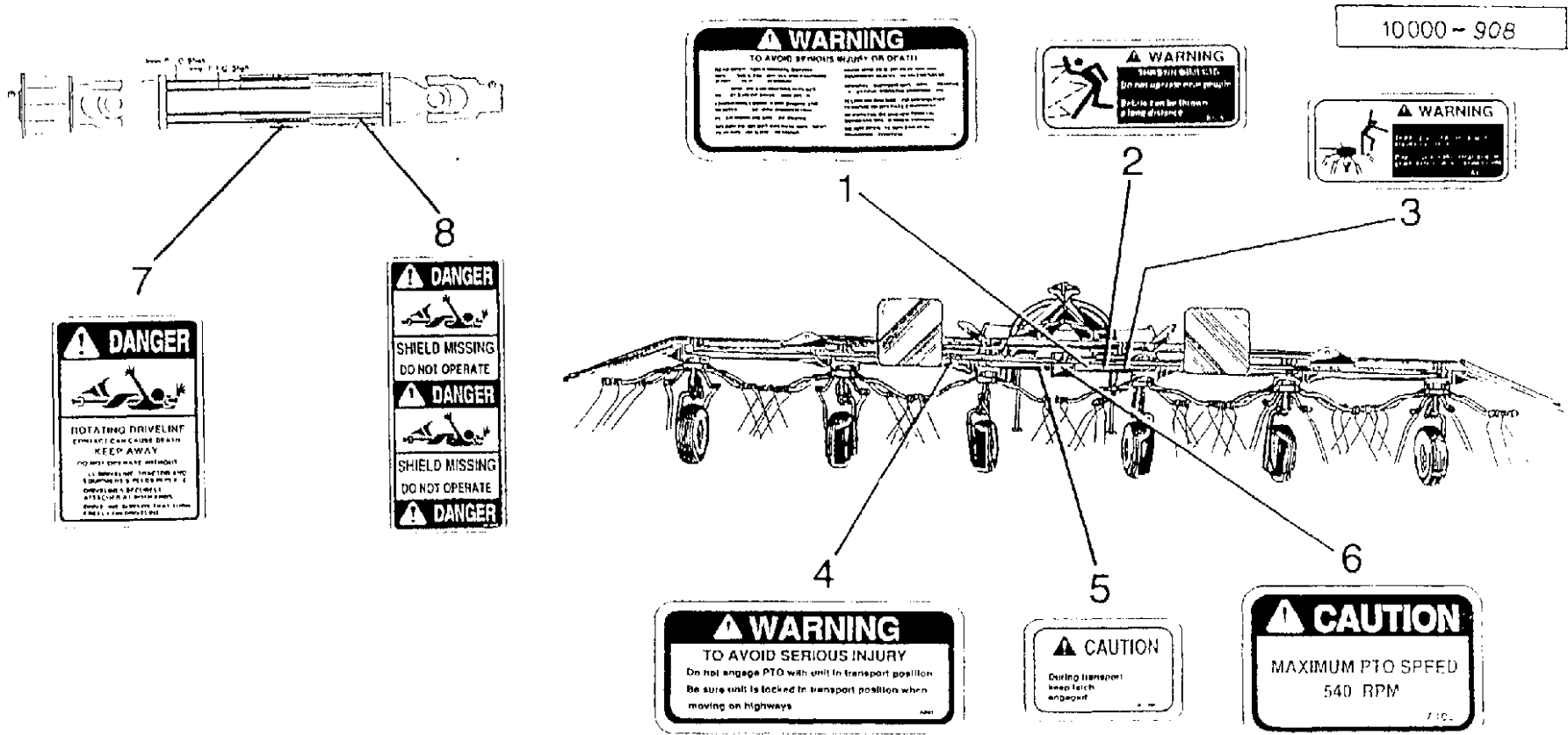
Item	Part Number	Description	Serial # Ranges	HR-675DH	Notes
1	16967	Wheel Bracket		X	
2	570.265	Grease Fitting		X	H1S 8 X 1
3	541.741	Flanged Bushing		X	30 / 34 / 42 X 26 DU BB-87
5	530.117	Tension Pin		X	10 X 70
6	530.070	Tension Pin		X	6 X 75
7	12832	Wheel Axle		X	
8	12835	Shoulder		X	
9	530.095	Tension Pin		X	8 X 45
10	19132	Bracket		X	
11	19131	Clamp		X	
12	500.876	Hex Bolt		X	M12 X 110
13	520.083	Washer		X	13 X 24 X 2.5
14	15050	Rope		X	L=500
15	570.233	Plug Connector		X	10 V
16	600.524	Cap		X	
17	551.176	Seal		X	942070005
18	540.150	Grooved Ball Bearing		X	6205 2Z
19	600.517	Spacer		X	
20	591.024	Rim		X	4.50 X 6 2
20a	591.023	Rim		X	4.50 X 6
21	591.221	Tube		X	15 X 6.00/6
22	591.125	Tire		X	15 X 6.00/6
23	600.518	Cap		X	
23a	591.350	Tire		X	365 X 140 15 X 6.00/6
24	520.094	Washer		X	14 X 35 X 4
25	510.517	Hex Nut		X	M12
30	16780	Chock		X	
31	570.112	Chain		X	12 Gld.
32	12554	Tongue		X	
33	16781	Pin		X	
34	570.245	Lynch Pin		X	5
35	530.045	Tension Pin		X	5 X 40



Decals

Decals

Item	Part Number	Description	Serial # Ranges	HR-675DH	Notes
1	646.411	Decal		X	
2	646.415	Decal		X	
3	646.428	Decal		X	
4	646.405	Decal		X	
5	646.409	Decal		X	
6	646.407	Decal		X	
7	646.413	Decal		X	
8	646.019	Decal		X	
9	646.827	Decal		X	
10	646.206	Decal		X	
11	646.251	Decal		X	
12	646.840	Decal		X	
13	646.836	Decal		X	



Decals

Decals

Item	Part Number	Description	Serial # Ranges	HR-675DH	Notes
1	646.013	Decal		X	
2	646.002	Decal		X	
3	646.001	Decal		X	
4	646.239	Decal		X	
5	646.007	Decal		X	
6	646.243	Decal		X	
7	646.010	Decal		X	
8	646.240	Decal		X	