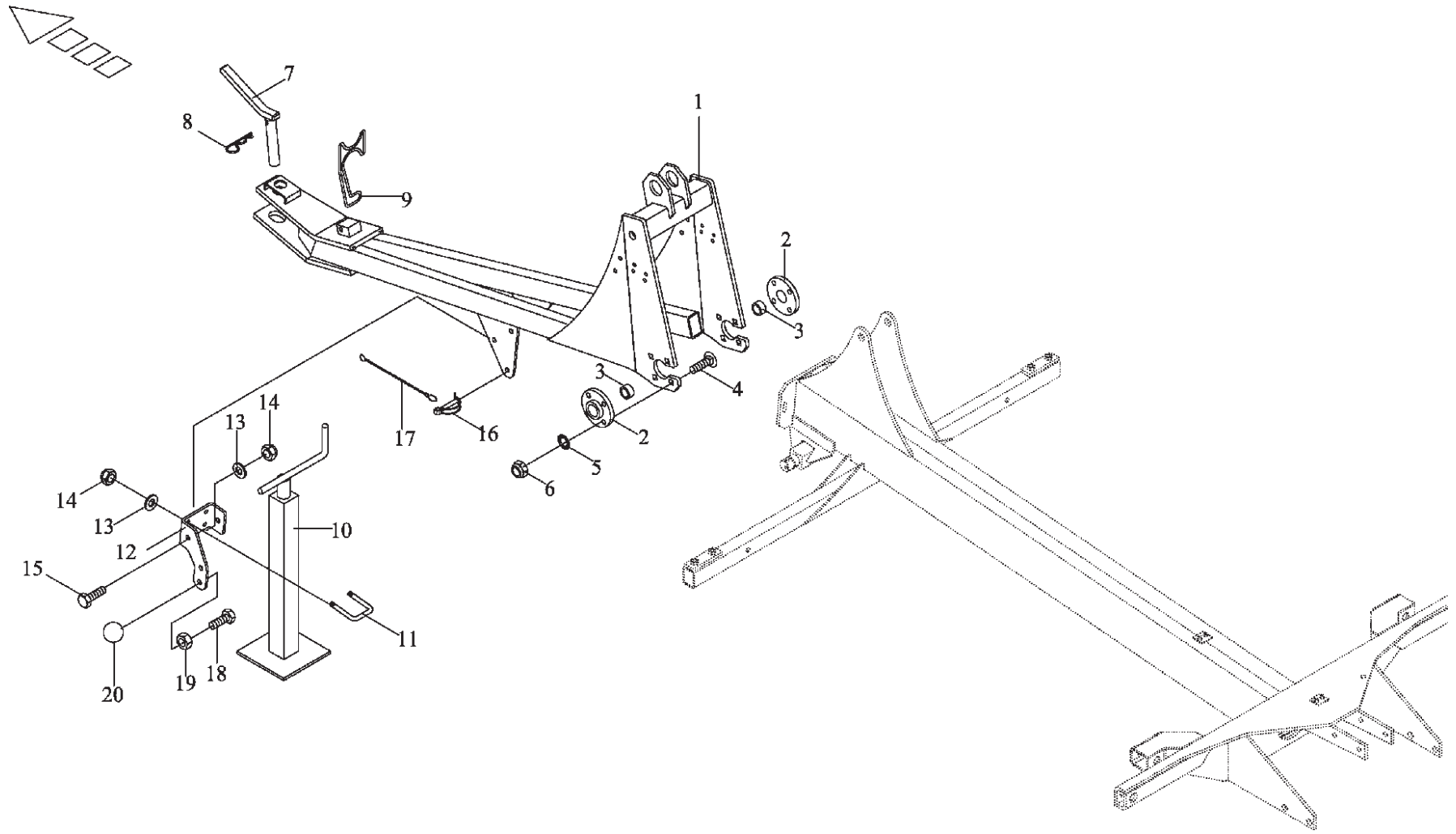


## Table Of Contents

Drawbar - Serial No. 585400-606253 .....	2
Drawbar - Serial No. 606254- .....	4
Optional Front Support Wheel - Serial No. 606254- .....	6
Main Frame .....	8
Rotor .....	10
Rotor .....	12
Tine Arms .....	14
Undercarriage - Serial No. 585400-606253.....	16
Undercarriage - Serial No. 585400-606253.....	18
Undercarriage - Serial No. 606254- .....	20
Undercarriage - Serial No. 606254- .....	22
Safety Frames - Windrow Curtain .....	24
Hydraulics .....	26
Rear Safety Frame - Reflector - Serial No. 585400-606253.....	28
Rear Safety Frame - Reflector - Serial No. 606254- .....	30
Tine Savers .....	32
Warning Decals .....	34
General Information Decals .....	36
PTO Shaft - Walterscheid - Serial No. 585400-606253.....	38
PTO Shaft - Walterscheid - Serial No. 606254- .....	40
Universal Joint - Walterscheid .....	42

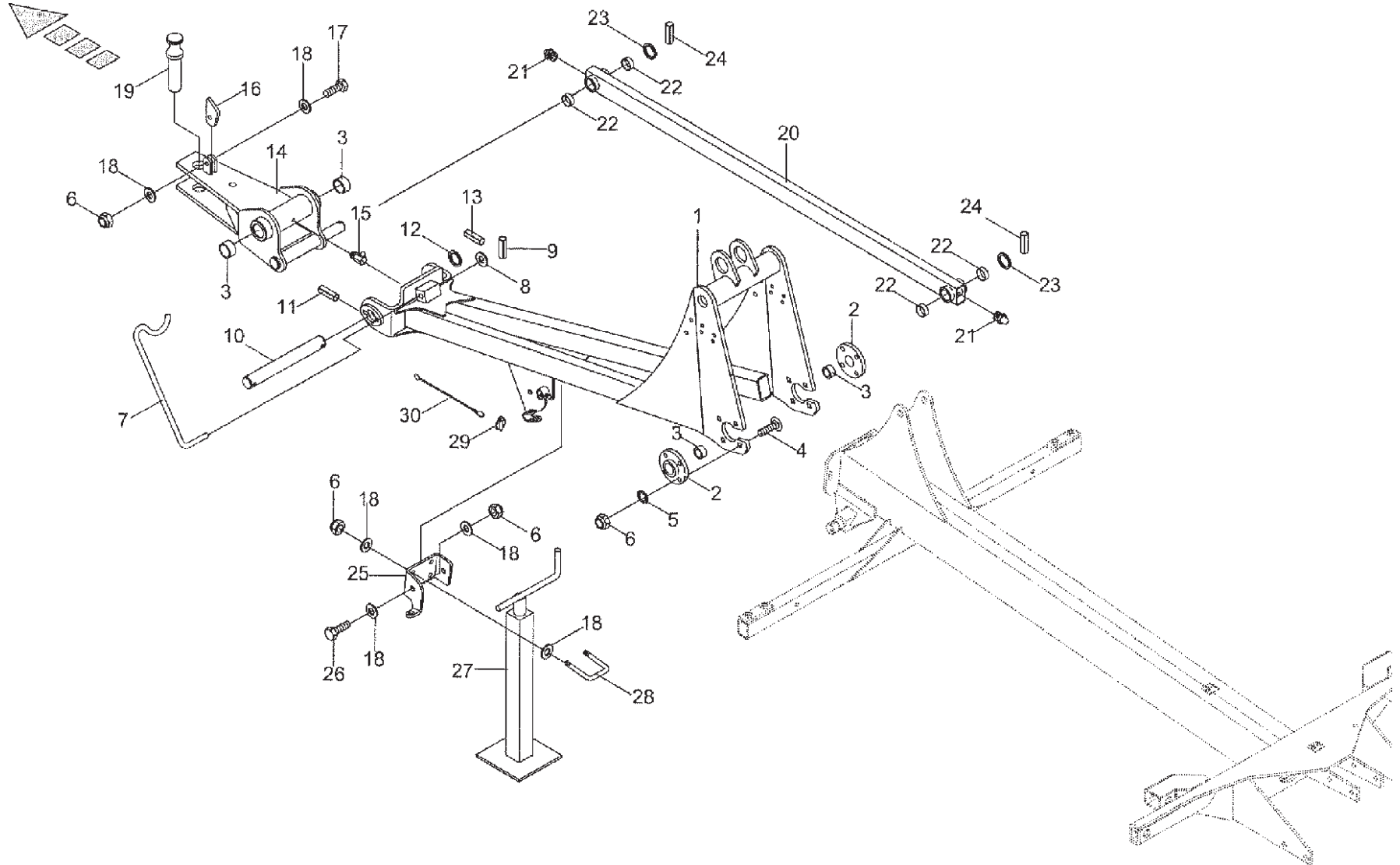


444 827 0

# Drawbar - Serial No. 585400-606253

## Drawbar - Serial No. 585400-606253

Item	Part Number	Description	Serial # Ranges	KS-46 T	Notes
1	267.963.0	Drawbar		X	
2	267.236.1	Bearing Flange		X	Includes Item 3
3	934.909.0	Bushing		X	BB 3026 DU
4	904.779.0	Flat Round Bolt		X	M 12 X 45
5	909.911.0	Detent Edged Washer		X	SKZ 12
6	908.701.0	Hex Nut		X	M 12
7	267.536.0	Pin		X	
8	917.105.0	Spring Clip		X	5
9	280.584.0	PTO Shaft Holder		X	
10	954.087.0	Parking Stand		X	
11	267.877.0	Clamp		X	Rd. 10
12	267.876.0	Hinge		X	
13	910.414.0	Washer		X	10.5 X 21 X 2
14	908.758.0	Hex Nut		X	M 10
15	900.637.0	Hex Head Bolt		X	M 10 X 30
16	917.001.0	Lynch Pin		X	11 X 55
17	922.615.0	Chain		X	230mm Long
18	900.658.0	Hex Head Bolt		X	M 12 X 40
19	908.215.0	Hex Nut		X	M 12
20	919.510.0	Ball Head		X	C 40 X M 12

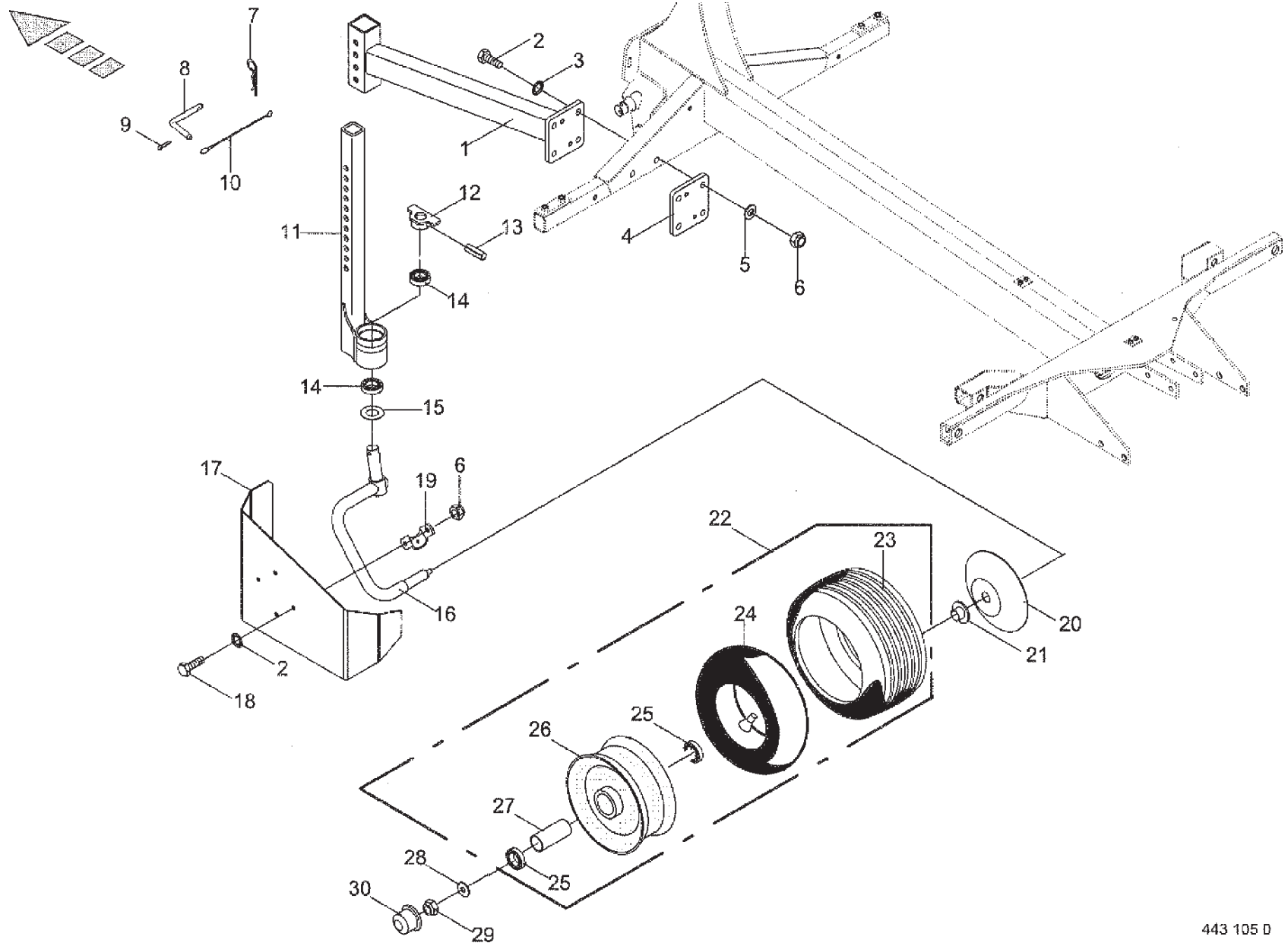


444 827 1

**Drawbar - Serial No. 606254-**

## Drawbar - Serial No. 606254-

Item	Part Number	Description	Serial # Ranges	KS-46 T	Notes
1	268.356.0	Drawbar		X	
2	267.236.1	Bearing Flange		X	Includes Item 3
3	934.909.0	Bushing		X	BB 3026 DU
4	904.755.2	Flat Round Bolt		X	M 10 X 40
5	909.907.0	Detent Edged Washer		X	SKZ 10
6	908.758.0	Hex Nut		X	M 10
7	267.955.0	PTO Shaft Holder		X	
8	910.506.0	Washer		X	13 X 24 X 2.5
9	912.583.1	Roll Pin		X	4 X 32
10	268.369.1	Pin		X	Rd. 30 X 249
11	912.673.0	Roll Pin		X	8 X 36
12	910.516.1	Washer		X	33 X 56 X 4
13	912.672.0	Roll Pin		X	8 X 50
14	268.370.0	Clutch		X	Includes Items 3 & 15
15	919.107.0	Grease Fitting		X	CM 8 X 1
16	268.349.0	Fuse		X	
17	900.638.0	Hex Head Bolt		X	M 10 X 35
18	910.414.0	Washer		X	10.5 X 21 X 2
19	268.355.0	Pin		X	Rd. 40 X 150
20	268.371.0	Steering Rod		X	Includes Items 21 & 22
21	919.105.0	Grease Fitting		X	AM 8 X 1
22	934.918.0	Bearing Bushing		X	2515 DU
23	910.710.0	Washer		X	S 25 X 35 X 2.0
24	912.644.1	Roll Pin		X	6 X 40
25	268.377.0	Hinge		X	
26	900.637.0	Hex Head Bolt		X	M 10 X 30
27	954.087.0	Parking Stand Complete		X	
28	267.877.0	Clamp		X	Rd. 10
29	917.009.0	Lynch Pin		X	8 X 42
30	922.615.0	Chain		X	230mm Long

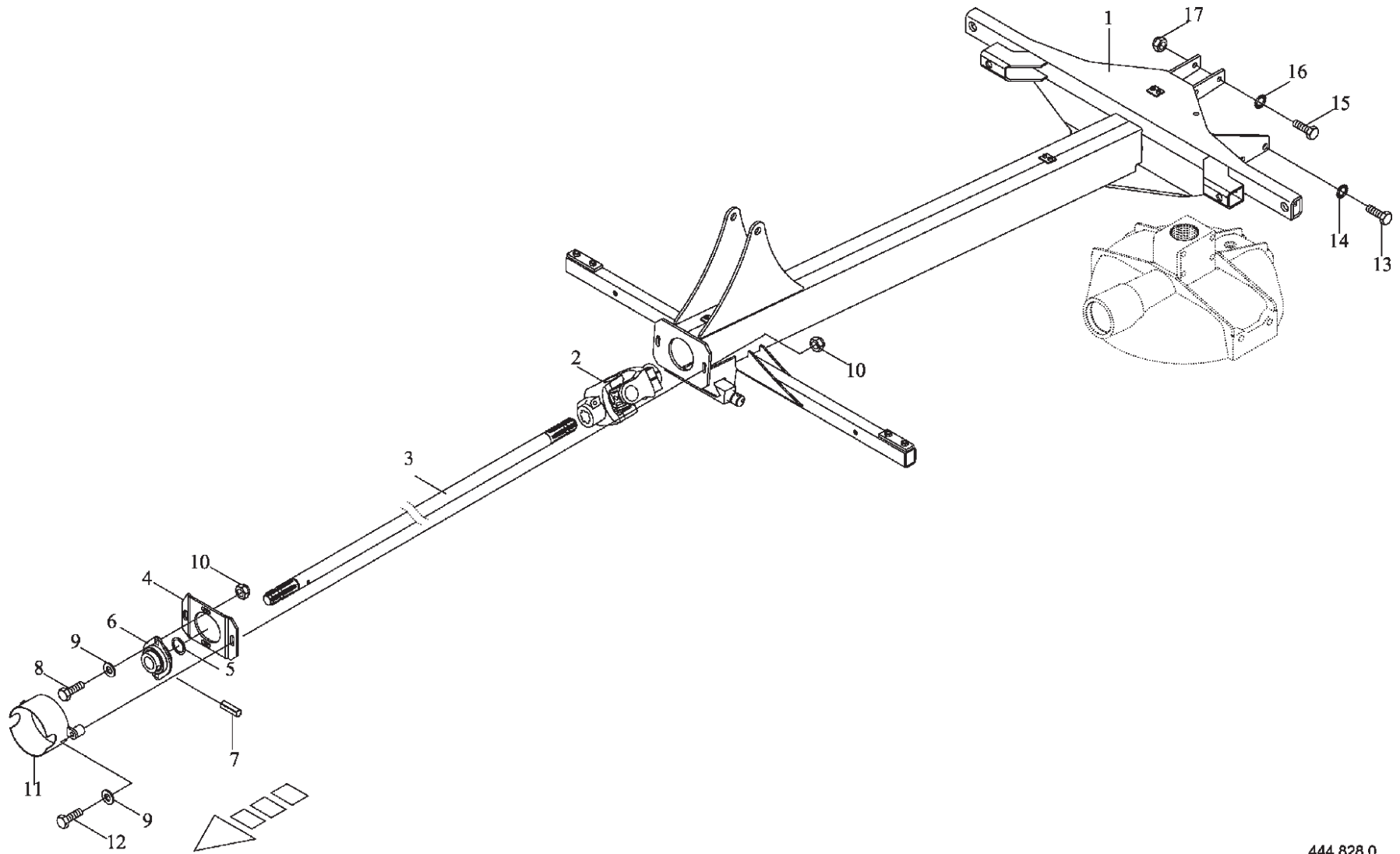


443 105 D

# Optional Front Support Wheel - Serial No. 606254-

## Optional Front Support Wheel - Serial No. 606254-

Item	Part Number	Description	Serial # Ranges	KS-46 T	Notes
1	267.682.0	Carrier Wheel Support		X	
2	901.438.0	Hex Head Bolt		X	M 10 X 80
3	909.909.0	Detent Edged Washer		X	SKM 10
4	267.624.1	Plate		X	
5	910.414.0	Washer		X	10.5 X 21 X 2
6	908.758.0	Hex Nut		X	M 10
7	917.103.0	Spring Clip		X	3.2
8	015.213.4	Safety Pin		X	Rd. 12 X 176
9	912.067.1	Cotter Pin		X	4 X 32
10	274.339.2	Chain		X	137mm Long
11	267.631.0	Guide Tube		X	
12	267.652.0	Stop		X	
13	912.675.0	Roll Pin		X	8 X 45
14	930.506.0	Bearing		X	6006 2RS
15	268.281.0	End Washer		X	30.5 X 60 X 1
16	268.351.0	Support Arm Right		X	
17	267.683.0	Wheel Cover		X	
18	900.636.0	Hex Head Bolt		X	M 10 X 25
19	153.113.0	Tongue		X	
20	153.206.0	Anti-Wrap Guard		X	Rd. 25
21	938.832.0	Gasket Ring		X	48/25 X 13.5
22	953.058.1	Wheel Complete		X	16 X 6.50-8 10 PR
23	953.249.1	Tire		X	16 X 6.50-8 10 PLY
24	953.328.0	Inner Tube		X	16 X 6.50-8 TR 13
25	930.535.0	Bearing		X	6205 2RS
26	953.158.0	Rim		X	5.50 A-8
27	938.831.0	Spacer Tube		X	30 X 1.5 X 34
28	910.609.0	Washer		X	13 X 37 X 3
29	908.701.0	Hex Nut		X	M 12
30	938.833.0	Wheel Cap		X	Rd. 52



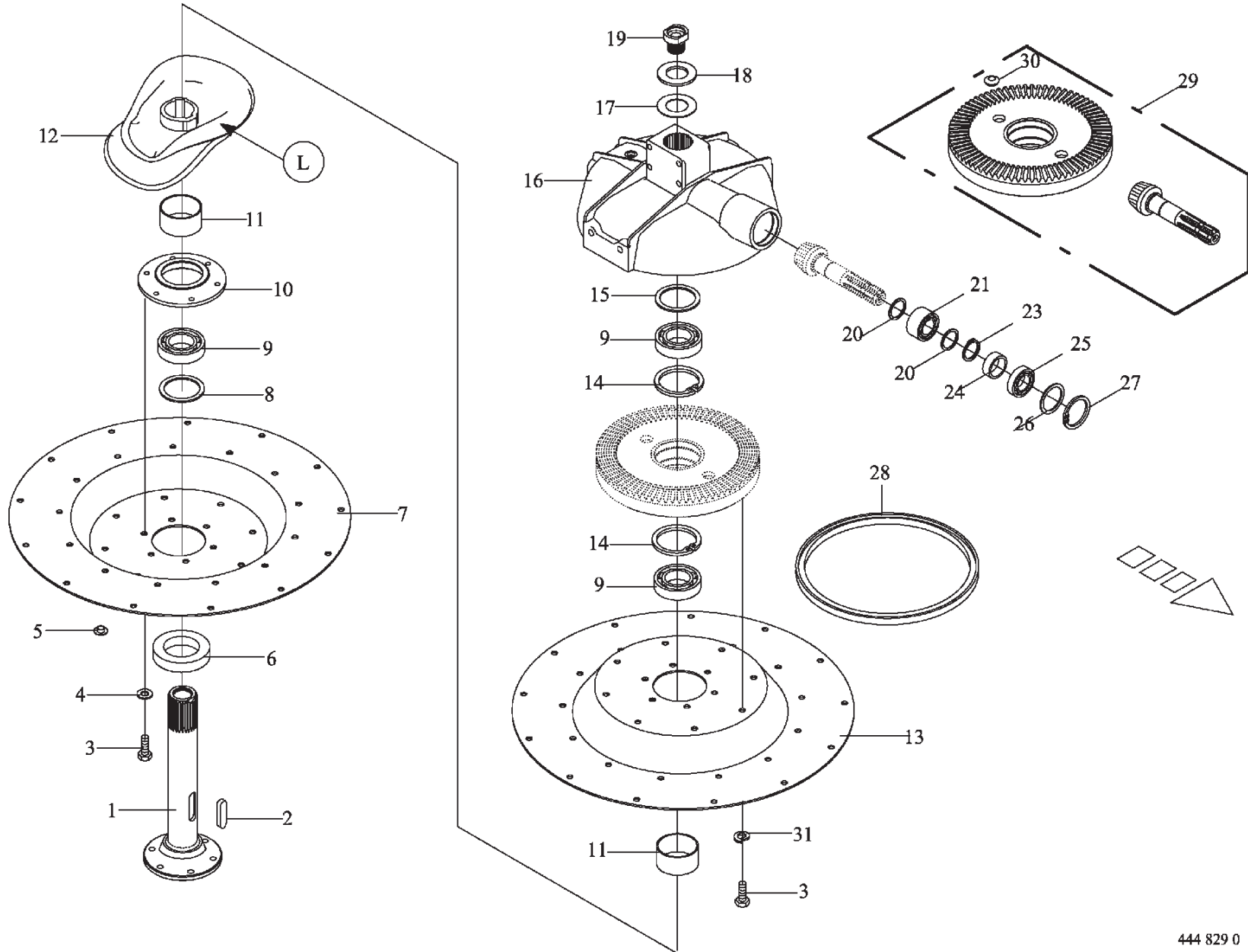
444 828 0

# Main Frame



## Main Frame

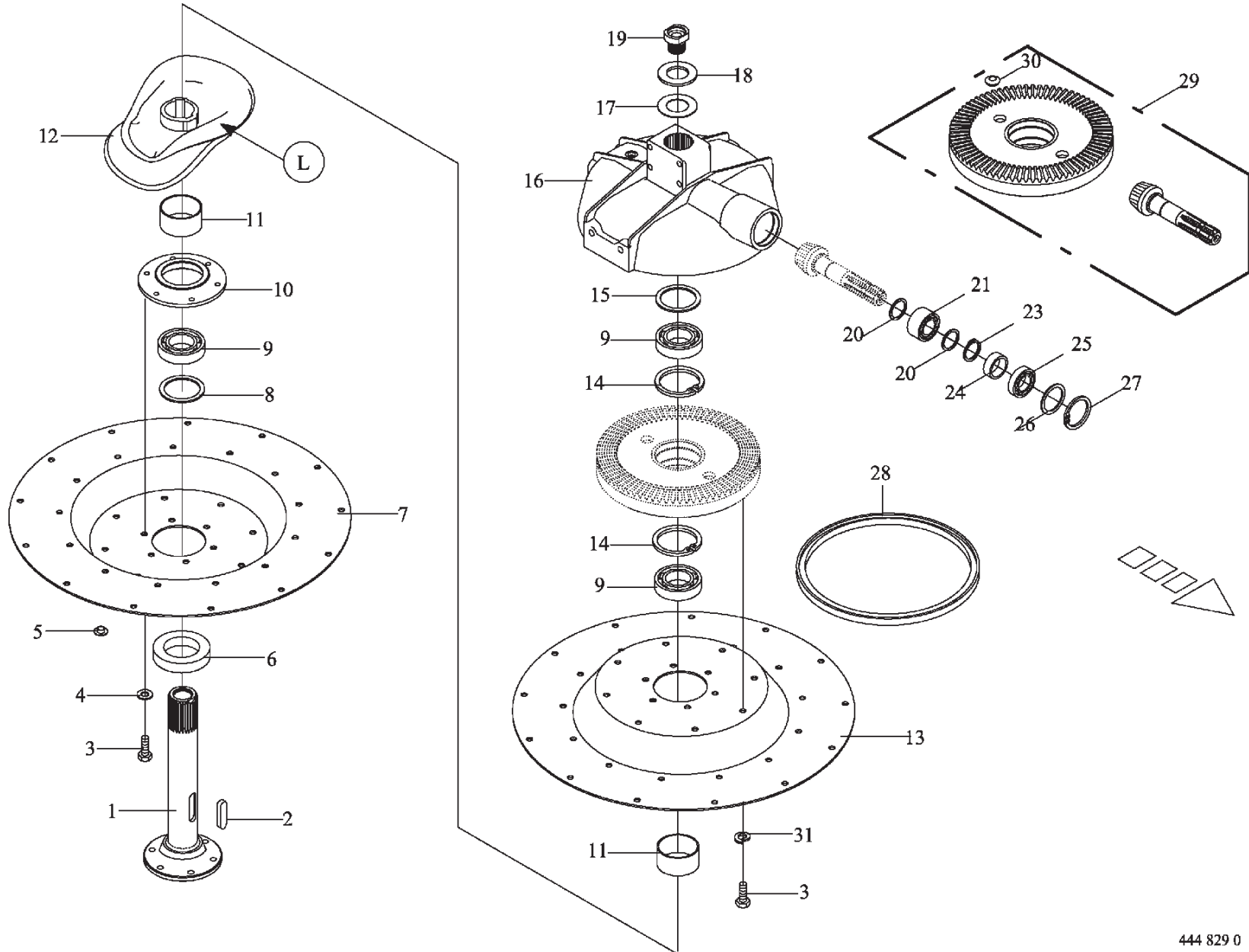
Item	Part Number	Description	Serial # Ranges	KS-46 T	Notes
1	267.980.0	Frame		X	
2	956.028.0	Universal Joint		X	1 3/8" - 6 Spline
3	267.932.0	Intermediate Shaft		X	Rd. 35 X 1610
4	153.279.0	Bearing Plate		X	
5	911.136.1	Shim		X	35 X 45 X 2.0
6	934.004.0	Flange Bearing		X	UBPFL 207
7	912.675.0	Roll Pin		X	8 X 45
8	900.636.0	Hex Head Bolt		X	M 10 X 25
9	910.414.0	Washer		X	10.5 X 21 X 2
10	908.758.0	Hex Nut		X	M 10
11	153.797.0	Guard		X	
12	901.434.0	Hex Head Bolt		X	M 10 X 55
13	900.335.1	Hex Head Bolt		X	M 16 X 30
14	909.912.0	Detent Edged Washer		X	SKM 16
15	901.095.0	Hex Head Bolt		X	M 12 X 140
16	909.910.0	Detent Edged Washer		X	SKM 12
17	908.701.0	Hex Nut		X	M 12



Rotor

## Rotor

Item	Part Number	Description	Serial # Ranges	KS-46 T	Notes
1	267.935.0	Hollow Shaft		X	
2	915.004.0	Flat Key		X	A 18 X 11 X 70
3	900.653.0	Hex Head Bolt		X	M 12 X 20
4	910.609.0	Washer		X	13 X 37 X 3
5	925.044.0	Locking Cap		X	13.3 / 16 X 7 / 9
6	267.998.0	Spacer Ring		X	82.5 X 12.5 X 8
7	268.114.0	Rotor Plate		X	13 Arm
8	910.740.0	Washer		X	S 60 X 75 X 3.0
9	930.156.0	Bearing		X	6012 2RS
10	268.084.0	Flange		X	Rd. 185
11	268.090.0	Spacer Bushing		X	70 X 3.6 X 36
12	268.056.0	Cam Track		X	
13	268.060.0	Rotor Plate		X	13 Arm
14	911.681.0	Circlip		X	I 95 X 3.0
15	911.002.0	Shim		X	60 X 75 X 0.3
	911.003.0	Shim		X	60 X 75 X 0.5
	911.004.0	Shim		X	60 X 75 X 1.0
	911.005.0	Shim		X	60 X 75 X 2.0
16	268.050.0	Gearbox Housing		X	
17	910.372.0	Washer		X	37 X 66 X 1.6
18	910.658.0	Washer		X	36 X 65 X 4.5
19	268.256.0	Bolt		X	Rd. 50 X 45
20	911.130.0	Shim		X	35 X 45 X 0.1
	911.132.0	Shim		X	35 X 45 X 0.3
	911.133.0	Shim		X	35 X 45 X 0.5
	911.134.0	Shim		X	35 X 45 X 1.0
	911.136.1	Shim		X	35 X 45 X 2.0
21	931.122.0	Bearing		X	3207 2RS
23	911.541.0	Circlip		X	A 35 X 1.5
24	332.490.0	Bushing		X	42.4 X 3.25 X 15
25	930.537.0	Bearing		X	6207 2RS
26	910.912.0	Shim		X	56 X 72 X 0.3
	910.913.0	Shim		X	56 X 72 X 0.5
	910.914.0	Shim		X	56 X 72 X 1.0
	910.915.0	Shim		X	56 X 72 X 2.0
27	911.668.0	Circlip		X	I 72 X 2.5
28	936.063.0	Radial Seal		X	A 335 X 375 X 18
29	268.274.0	Gear Set		X	9 Teeth / 79 Teeth



# Rotor

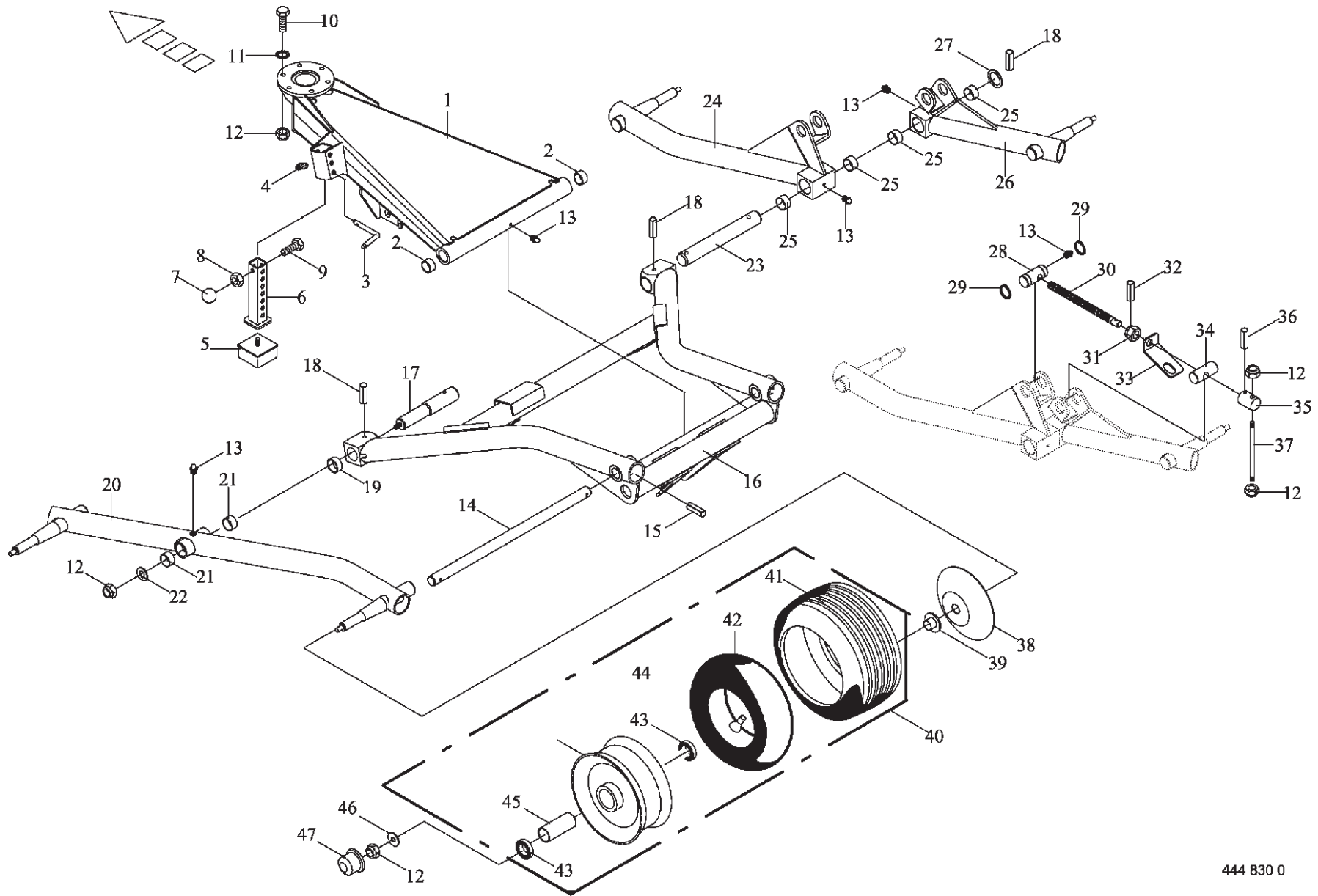
## Rotor

Item	Part Number	Description	Serial # Ranges	KS-46 T	Notes
30	925.211.0	Cap		X	25
31	910.035.0	Spring Washer		X	B 12



## Tine Arms

Item	Part Number	Description	Serial # Ranges	KS-46 T	Notes
1	268.053.0	Cam Follower		13	
2	268.091.0	Pin		X	Rd. 22 X 43
3	930.355.0	Roller Bearing		X	LR 203 NPPU
4	909.910.0	Detent Edged Washer		X	SKM 12
5	908.701.0	Hex Nut		X	M 12
6	912.400.0	Roll Pin		X	14 X 55
7	912.677.0	Roll Pin		X	8 X 55
8	268.276.0	Bearing Housing Complete		13	
9	268.111.0	Seal		13	
10	930.507.0	Bearing		X	6007 2RS
11	911.136.1	Shim		X	35 X 45 X 2.0
12	930.537.0	Bearing		X	6207 2RS
13	153.516.0	End Washer		X	35.5 X 70 X 1
14	912.647.1	Roll Pin		X	6 X 55
15	912.717.0	Roll Pin		X	10 X 55
16	268.064.0	Control Shaft		13	
17	268.955.1	Tine Arm		7	
18	268.885.0	Tine Arm Inside		6	
19	268.294.0	Pin		6	
20	917.006.1	Lynch Pin		X	6 X 42
21	901.008.0	Hex Head Bolt		X	M 8 X 80
22	910.603.0	Washer		X	8.4 X 24 X 2
23	912.531.0	Roll Pin		X	14 X 65
24	910.510.1	Washer		X	15 X 28 X 2.5
25	908.706.0	Hex Nut		X	M 8
26	268.105.0	Tine Arm Outside		6	
27	268.085.0	Tine		52	
29	900.362.0	Hex Head Bolt		X	M 12 X 90 - 10.9
30	910.624.0	Washer		X	13.0 X 35 X 8
31	265.061.0	Clip		52	
32	153.021.0	Shim		52	
33	910.506.0	Washer		X	13 X 24 X 2.5
34	901.458.0	Hex Head Bolt		X	M 12 X 90
35	268.886.0	Washer		7	
36	901.461.0	Hex Head Bolt		X	M 12 X 110
37	910.609.0	Washer		X	13 X 37 X 3



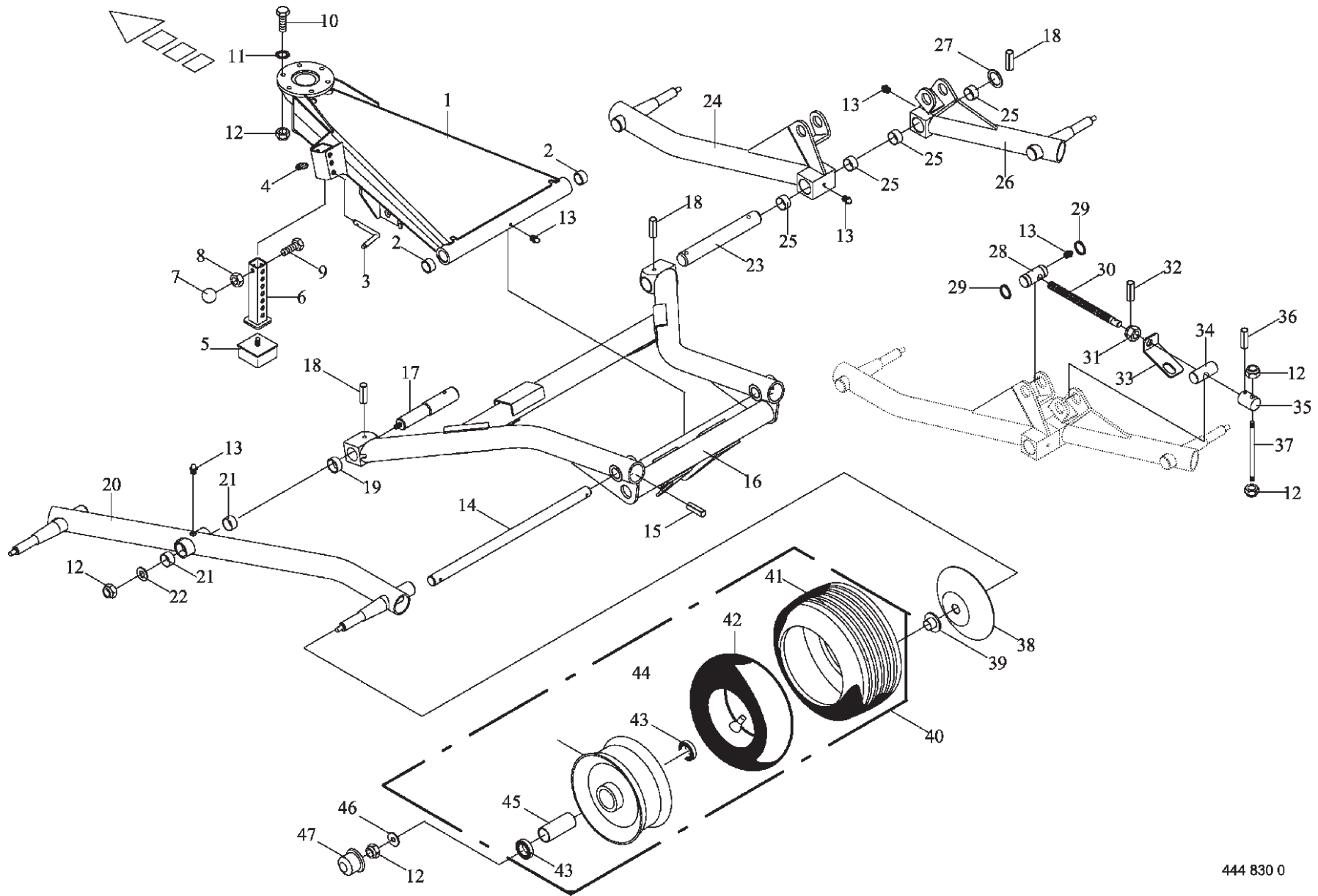
444 830 0

# Undercarriage - Serial No. 585400-606253



## Undercarriage - Serial No. 585400-606253

Item	Part Number	Description	Serial # Ranges	KS-46 T	Notes
1	268.938.0	Axle Support		X	Includes Item 2
2	934.901.0	Bearing Bushing		X	MB 3040 DU
3	260.600.0	Safety Pin		X	Rd. 12
4	917.004.1	Lynch Pin		X	5 X 32
5	924.218.0	Rubber Pad		X	M 12 X 35
6	267.956.0	Stop		X	
7	919.510.0	Ball Head		X	C 40 X M 12
8	908.215.0	Hex Nut		X	M 12
9	900.658.0	Hex Head Bolt		X	M 12 X 40
10	901.451.0	Hex Head Bolt		X	M 12 X 45
11	909.911.0	Detent Edged Washer		X	SKZ 12
12	908.701.0	Hex Nut		X	M 12
13	919.105.0	Grease Fitting		X	AM 8 X 1
14	267.948.0	Axle		X	Rd. 30 X 622
15	912.677.0	Roll Pin		X	8 X 55
16	267.595.0	Chassis		X	
17	267.663.0	Axle Pin		X	Rd. 42 X 235
18	912.718.0	Roll Pin		X	10 X 60
19	151.040.0	Spacer Bushing		X	42.4 X 3.25 X 24
20	267.522.0	Tandem Arm Left		X	Includes Items 13 & 21
21	934.930.0	Bearing Bushing		X	MB 3520 DU
22	910.643.0	Washer		X	13.5 X 44 X 4
23	267.664.0	Axle Pin		X	Rd. 40 X 300
24	267.520.0	Tandem Arm Right		X	Includes Items 13 & 25
25	934.934.0	Bearing Bushing		X	4030 DU
26	267.521.0	Tandem Arm Right		X	Includes Items 13 & 25
27	910.730.0	Washer		X	S 40 X 50 X 2.5
28	267.672.0	Pin		X	Rd. 35 X 80
29	911.541.0	Circlip		X	A 35 X 1.5
30	267.675.0	Spindle		X	275mm Long
31	908.819.1	Castle Nut		X	M 20
32	912.615.0	Roll Pin		X	5 X 36
33	267.674.0	Bracket		X	
34	267.673.0	Pin		X	Rd. 35 X 80
35	267.529.0	Adjuster		X	Rd. 40 X 55
36	912.670.0	Roll Pin		X	8 X 40
37	267.527.0	Handle		X	200mm Long
38	153.206.0	Anti-Wrap Guard		X	

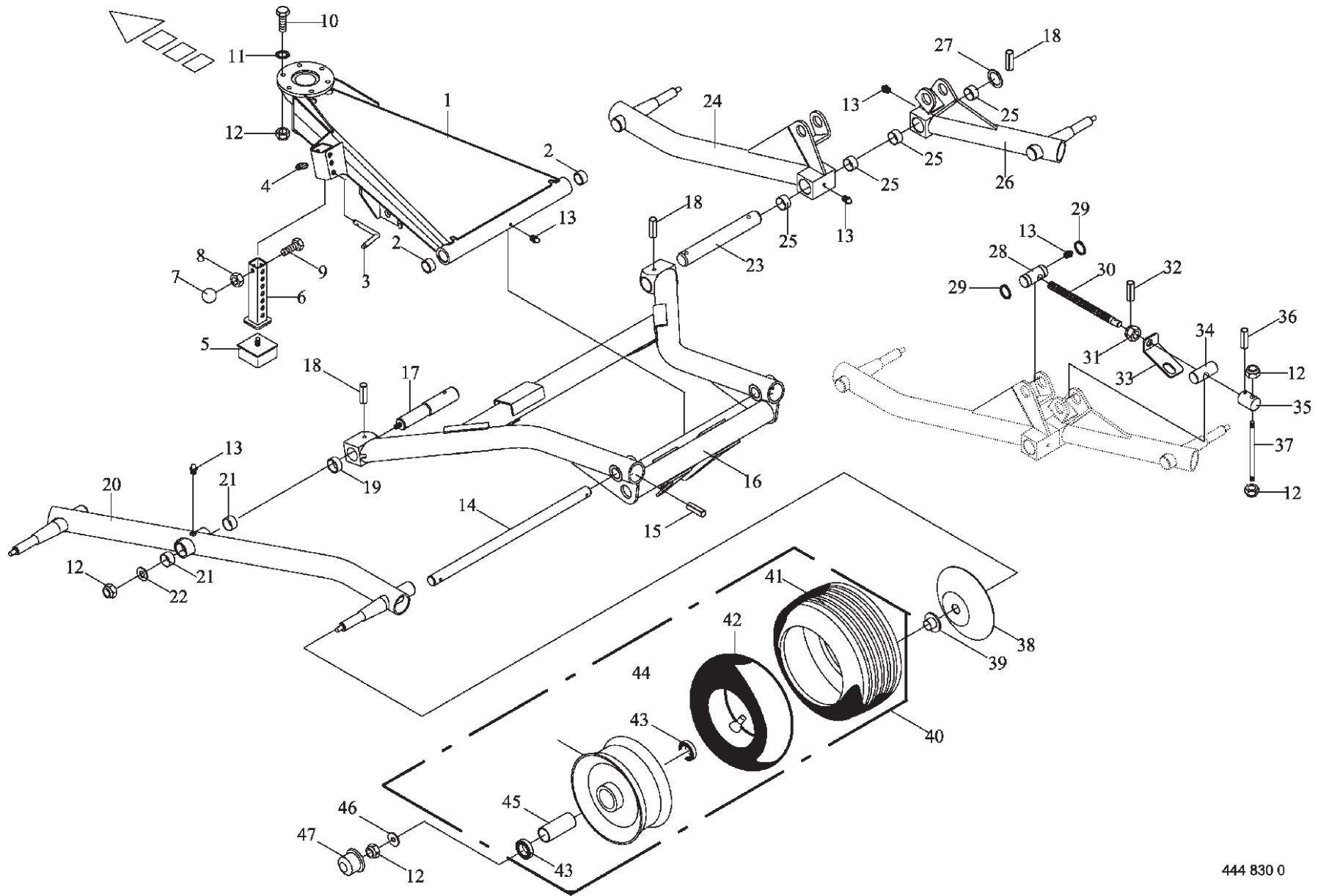


444 830 0

# Undercarriage - Serial No. 585400-606253

## Undercarriage - Serial No. 585400-606253

Item	Part Number	Description	Serial # Ranges	KS-46 T	Notes
39	938.832.0	Gasket Ring		X	48/25 X 13.5
40	953.058.1	Wheel Complete		X	16 X 6.50-8 10PR-R11
41	953.249.1	Tire		X	16 X 6.50-8 10 Ply
42	953.328.0	Tube		X	16 X 6.50-8 TR 13
43	930.535.0	Bearing		X	6205 2RS
44	953.158.0	Rim		X	5.50 A-8
45	938.831.0	Spacer Tube		X	30 X 1.5 X 34
46	910.609.0	Washer		X	13 X 37 X 3
47	938.833.0	Wheel Cap		X	Rd. 52

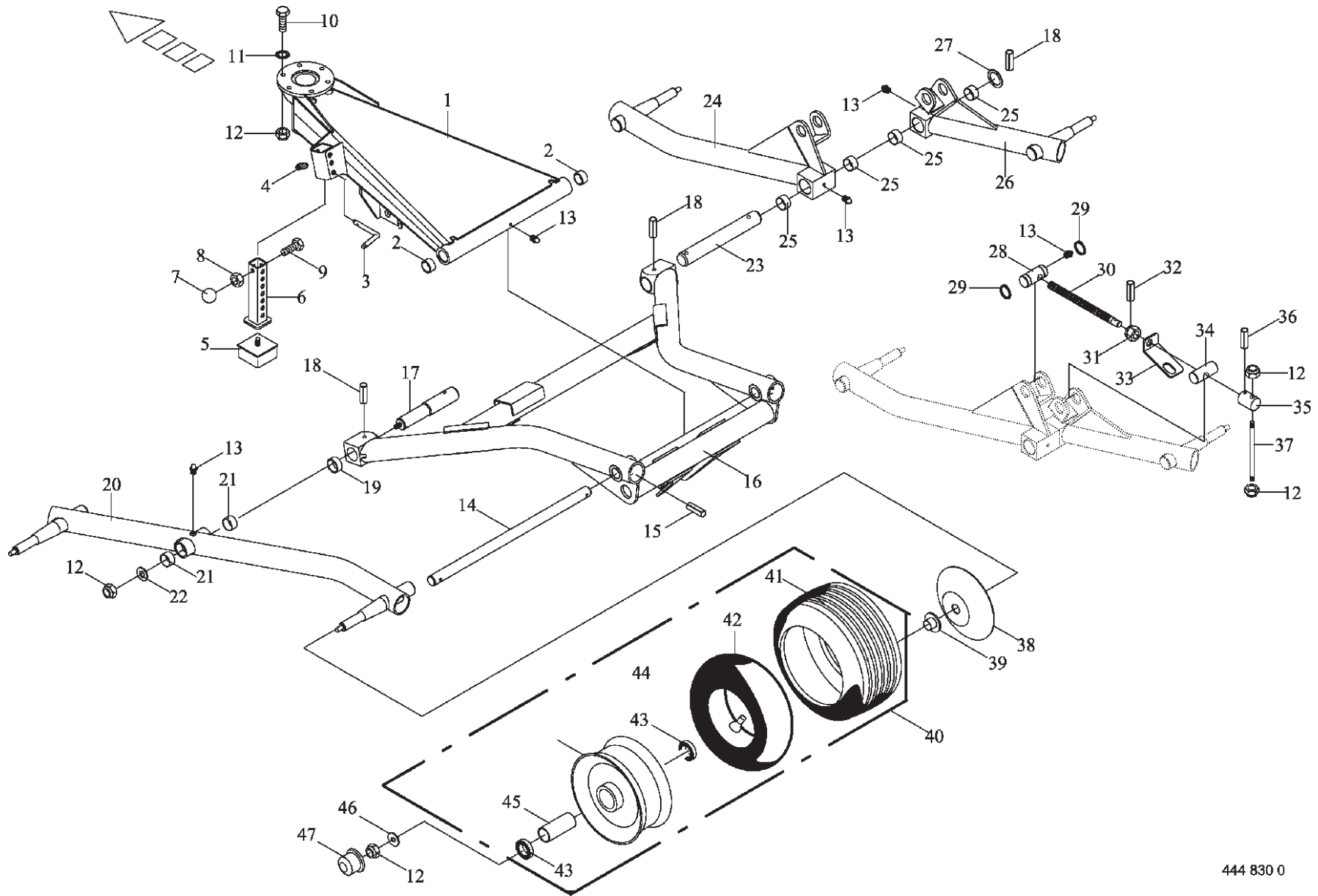


444 830 0

# Undercarriage - Serial No. 606254-

## Undercarriage - Serial No. 606254-

Item	Part Number	Description	Serial # Ranges	KS-46 T	Notes
1	268.938.0	Axle Support		X	Includes Item 2
2	934.901.0	Bearing Bushing		X	MB 3040 DU
3	260.600.0	Safety Pin		X	Rd. 12
4	917.004.1	Lynch Pin		X	5 X 32
5	924.218.0	Rubber Pad		X	M 12 X 35
6	267.956.0	Stop		X	
7	919.510.0	Ball Head		X	C 40 X M 12
8	908.215.0	Hex Nut		X	M 12
9	900.658.0	Hex Head Bolt		X	M 12 X 40
10	901.451.0	Hex Head Bolt		X	M 12 X 45
11	909.911.0	Detent Edged Washer		X	SKZ 12
12	908.701.0	Hex Nut		X	M 12
13	919.105.0	Grease Fitting		X	AM 8 X 1
14	267.948.0	Axle		X	Rd. 30 X 622
15	912.677.0	Roll Pin		X	8 X 55
16	267.595.0	Chassis		X	
17	267.663.0	Axle Pin		X	Rd. 42 X 235
18	912.718.0	Roll Pin		X	10 X 60
19	151.040.0	Spacer Bushing		X	42.4 X 3.25 X 24
20	267.904.0	Tandem Arm Left		X	Includes Item 21
21	934.930.0	Bearing Bushing		X	MB 3520 DU
22	910.643.0	Washer		X	13.5 X 44 X 4
23	267.664.0	Axle Pin		X	Rd. 40 X 300
24	267.900.0	Tandem Arm Right		X	Includes Item 25
25	934.934.0	Bearing Bushing		X	4030 DU
26	267.902.0	Tandem Arm Right		X	Includes Item 25
27	910.730.0	Washer		X	S 40 X 50 X 2.5
28	267.672.0	Pin		X	Rd. 35 X 80
29	911.541.0	Circlip		X	A 35 X 1.5
30	267.675.0	Spindle		X	275mm Long
31	908.819.1	Castle Nut		X	M 20
32	912.615.0	Roll Pin		X	5 X 36
33	267.674.0	Bracket		X	
34	267.673.0	Pin		X	Rd. 35 X 80
35	267.529.0	Adjuster		X	Rd. 40 X 55
36	912.670.0	Roll Pin		X	8 X 40
37	267.527.0	Handle		X	200mm Long
38	153.207.0	Anti-Wrap Guard		X	

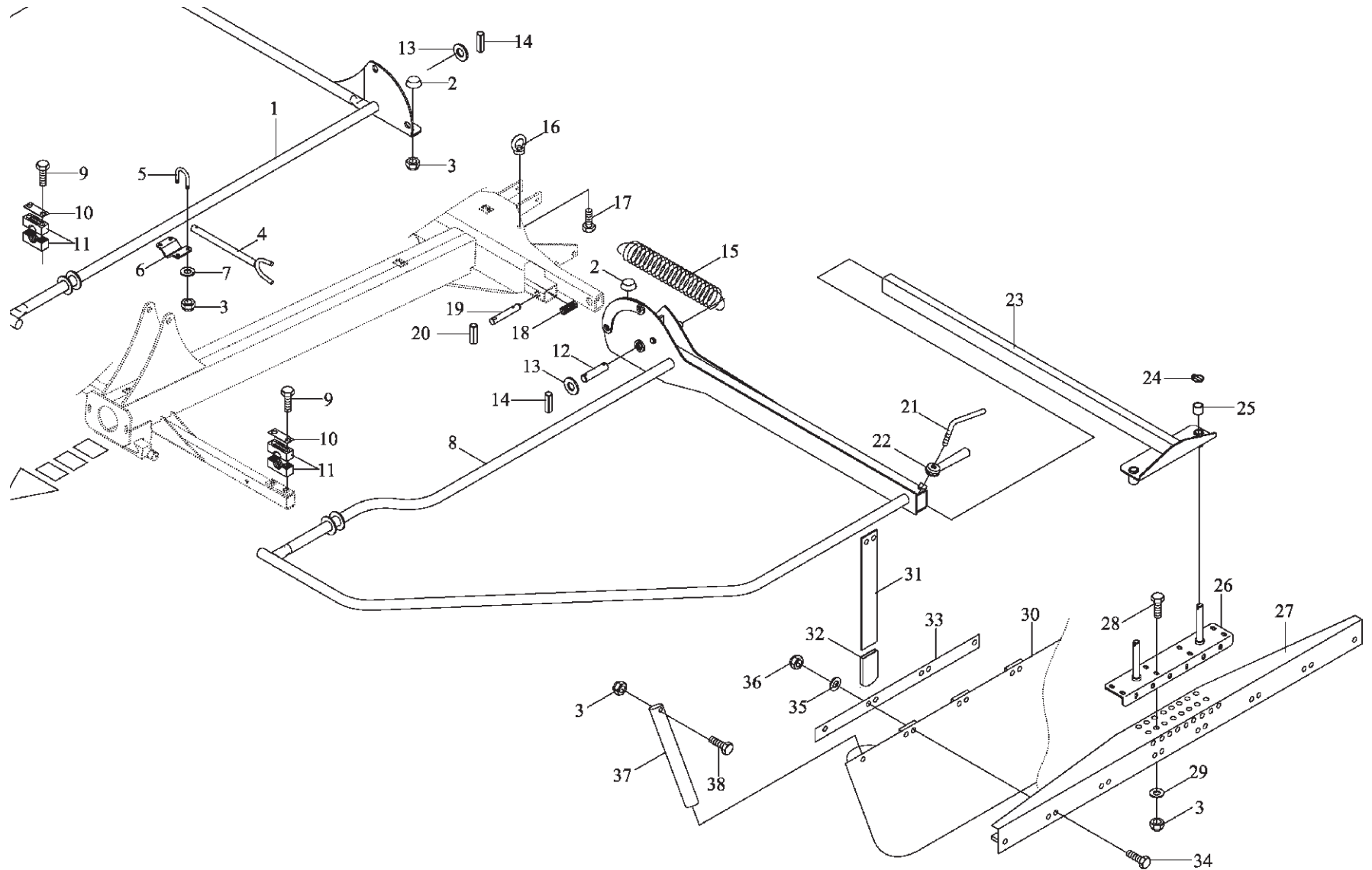


444 830 0

# Undercarriage - Serial No. 606254-

## Undercarriage - Serial No. 606254-

Item	Part Number	Description	Serial # Ranges	KS-46 T	Notes
39	938.836.0	Gasket Ring		X	Rd. 57/30 X 13.5
40	953.059.1	Wheel Complete		X	18 X 8.50-8 6 PR-RT
41	953.261.1	Tire		X	18 X 1.50-8 RT 6 PLY
42	953.329.0	Tube		X	18 X 8.50-8 TR 13
43	930.236.0	Bearing		X	6206 Z
44	953.159.0	Rim		X	7.00I X 8
45	938.835.0	Spacer Tube		X	Rd. 30 X 1.5 X 75
46	910.609.0	Washer		X	13 X 37 X 3
47	938.834.0	Wheel Cap		X	Rd. 62



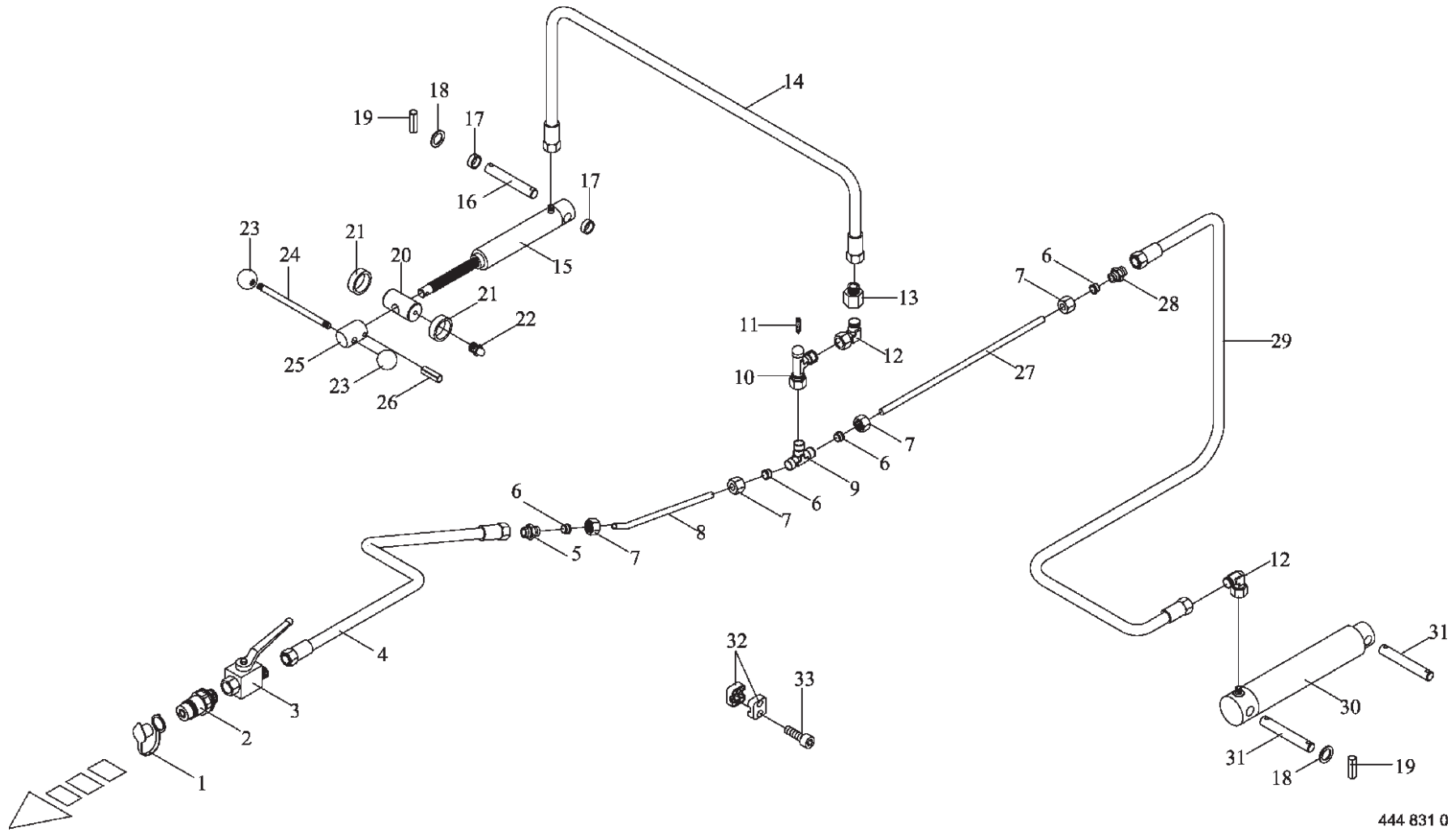
444 832 0

# Safety Frames - Windrow Curtain



## Safety Frames - Windrow Curtain

Item	Part Number	Description	Serial # Ranges	KS-46 T	Notes
1	267.931.0	Guard R/H		X	
2	924.260.0	Rubber Pad		X	Rd. 50 M 10
3	908.758.0	Hex Nut		X	M 10
4	267.868.0	Turn Security		X	
5	153.877.0	Yoke		X	Rd. 10 X 153
6	267.867.0	Clamp Half		X	
7	910.414.0	Washer		X	10.5 X 21 X 2
8	267.925.0	Guard L/H		X	
9	900.287.0	Hex Head Bolt		X	M 10 X 70
10	925.125.0	Cover Plate		X	
11	925.128.0	Clamp		X	Bo. 34
12	153.088.0	Pin		X	Rd. 25 X 104
13	910.514.1	Washer		X	26 X 44 X 4
14	912.670.0	Roll Pin		X	8 X 40
15	344.771.1	Tension Spring		X	9 X 45 X 350
16	909.503.1	Ring Nut		X	M 12
17	900.656.0	Hex Head Bolt		X	M 12 X 30
18	461.381.0	Pressure Spring		X	2 X 23.5 X 50
19	267.899.0	Pin		X	Rd. 20 X 125
20	912.641.0	Roll Pin		X	6 X 30
21	153.383.0	Bolt		X	
22	909.520.0	Tapered Handle		X	M 12
23	267.908.0	Telescoping Tube		X	
24	917.009.0	Lynch Pin		X	8 X 42
25	151.610.0	Bushing		4	Rd. 30 X 40
26	266.635.0	Side Flange		X	
27	154.316.0	Swathing Deflector Support		X	
28	900.637.0	Hex Head Bolt		X	M 10 X 30
29	910.353.0	Washer		X	11 X 34 X 3
30	269.068.0	Swathing Deflector		X	
31	265.332.0	Flat Steel		4	430mm Long
32	938.557.0	Cover		4	
33	153.277.0	Clamping Strap		2	1065mm Long
34	900.608.0	Hex Head Bolt		X	M 6 X 20
35	910.351.1	Washer		X	6.4 X 18 X 1.6
36	908.704.1	Hex Nut		X	M 6
37	265.333.0	Rod		X	Rd. 20 X 485
38	900.284.0	Hex Head Bolt		X	M 10 X 50

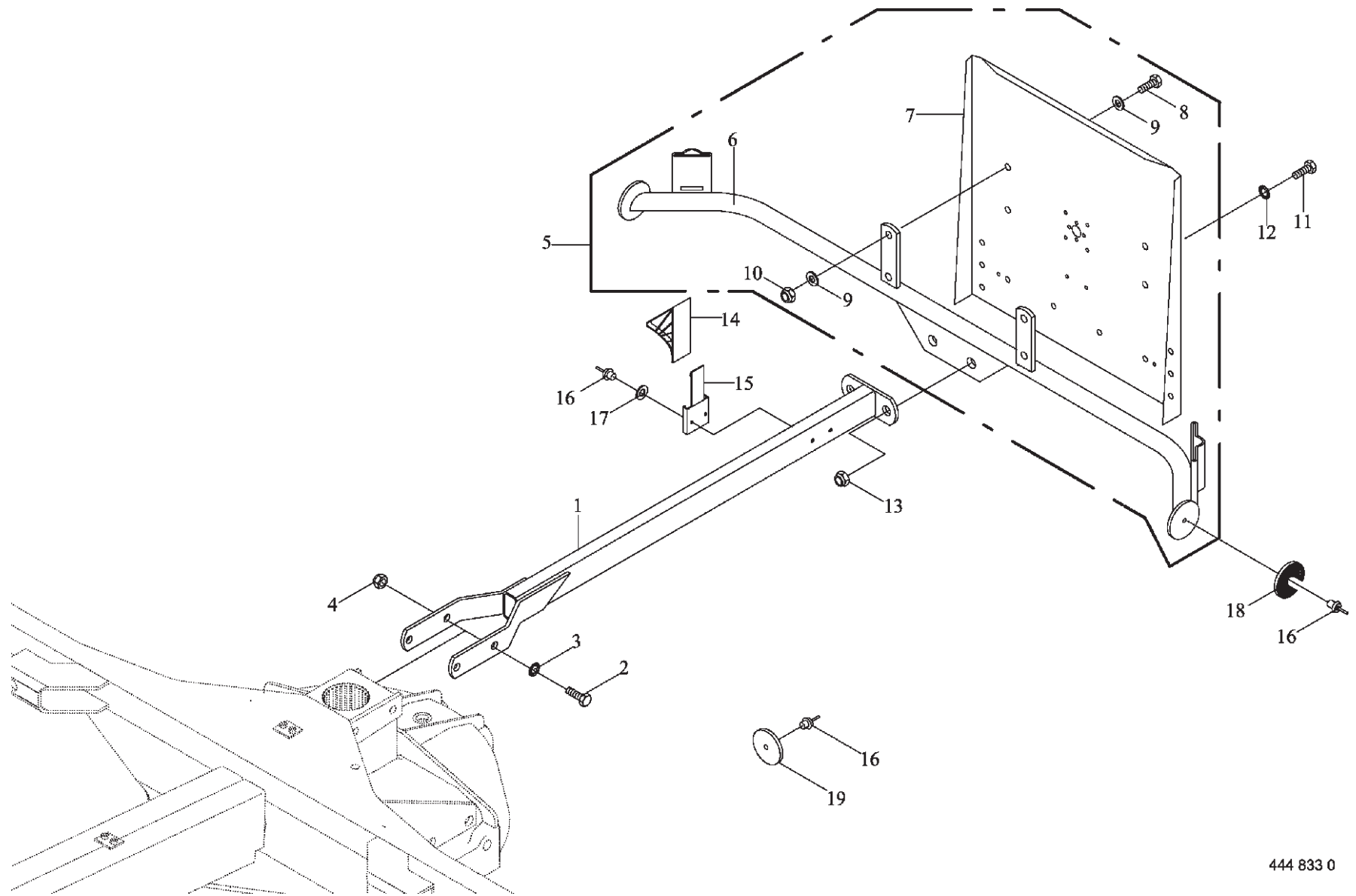


444 831 0

# Hydraulics

## Hydraulics

Item	Part Number	Description	Serial # Ranges	KS-46 T	Notes
1	921.263.0	Dust Cap Blue		X	
2	921.145.0	Plug		X	M 18 X 1.5
3	919.603.0	Ball Cock		X	M 18 X 1.5
4	920.026.0	High Pressure Hose		X	2600mm Long
5	921.054.1	Connector		X	M 18 X 1.5
6	921.046.1	Cutting Ring		X	L 12
7	921.206.0	Union Nut		X	AL 12
8	267.863.0	Hydraulic Pipe		X	12 X 1.5 X 400
9	921.071.1	T Connector		X	L 12
10	921.234.0	Adjustable Restrictor		X	Includes Item 11
11	919.951.0	Adjusting Screw		X	M 8 X 1
12	921.067.1	Connector		X	M 18 X 1.5
13	921.083.1	Reducer		X	M 18 X 1.5 / M 12 X 1.5
14	920.042.0	High Pressure Hose		X	700mm Long
15	918.498.0	Hydraulic Cylinder		X	Ez 30/ X 150/400
	918.813.0	Seal Kit		X	
16	155.290.0	Pin		X	Rd. 20 X 130
17	268.282.0	Cover		X	26.9 X 2.65 X 15
18	910.512.2	Washer		X	21 X 37 X 3
19	912.670.0	Roll Pin		X	8 X 40
20	267.528.1	Pin		X	Rd. 40 X 74
21	250.374.0	Bushing		X	51 X 3.6 X 15
22	919.105.0	Grease Fitting		X	AM 8 X 1
23	919.510.0	Ball Head		X	C 40 X M 12
24	267.527.0	Handle		X	200mm Long
25	267.529.0	Adjuster		X	Rd. 40 X 55
26	912.670.0	Roll Pin		X	8 X 40
27	267.864.0	Hydraulic Pipe		X	12 X 1.5 X 1030
28	920.897.0	Reducer		X	L 12/6
29	921.025.2	High Pressure Hose		X	1500mm Long
30	921.254.1	Hydraulic Cylinder		X	Ez 55/ X 190/325
	918.783.0	Seal Kit		X	
31	250.309.0	Pin		X	Rd. 10 X 135
32	925.107.1	Clamp		X	Bo.=12
33	903.481.1	Allen Screw		X	AM 6 X 30

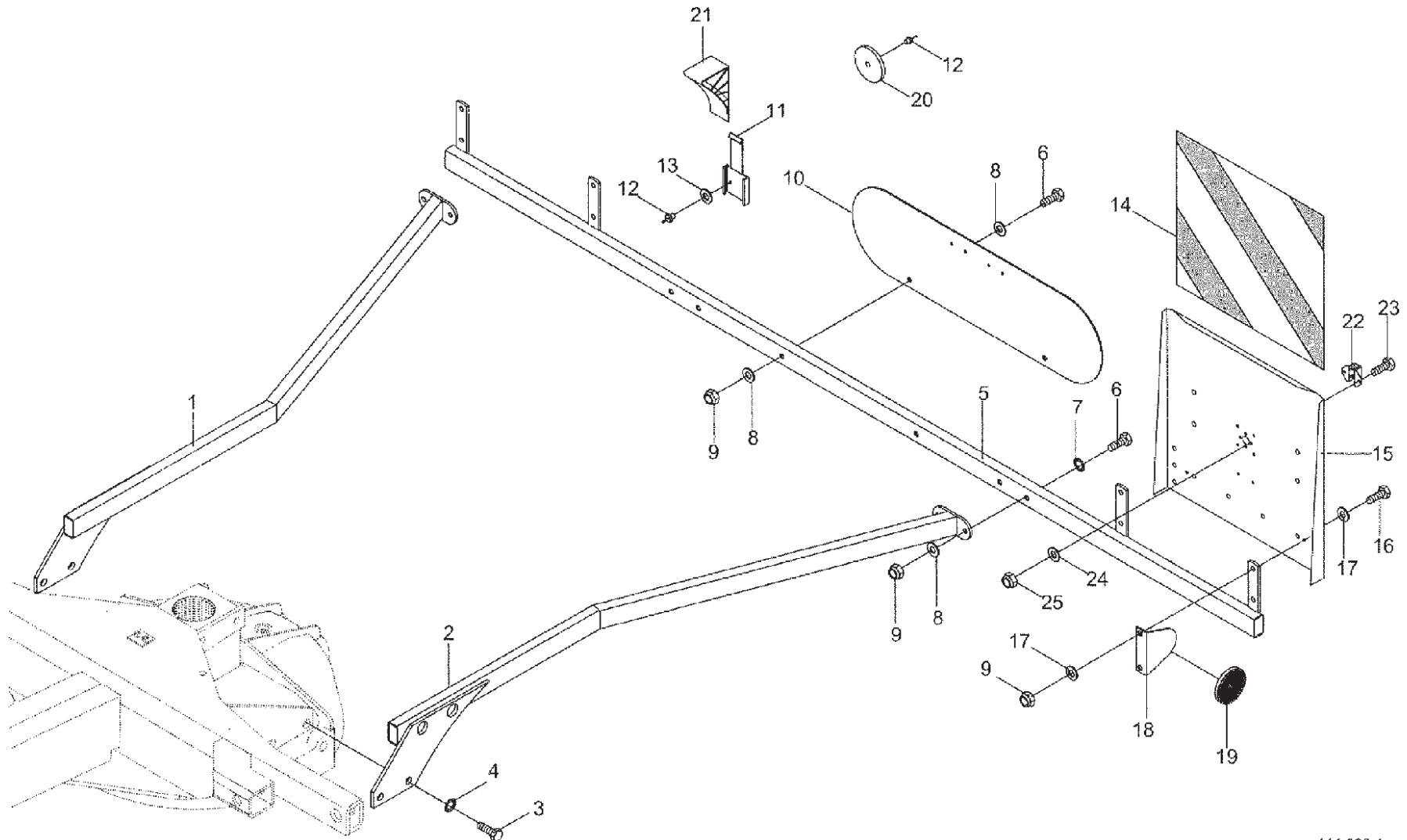


444 833 0

# Rear Safety Frame - Reflector - Serial No. 585400-606253

## Rear Safety Frame - Reflector - Serial No. 585400-606253

Item	Part Number	Description	Serial # Ranges	KS-46 T	Notes
1	267.915.0	Warning Panel Support		X	
2	901.095.0	Hex Head Bolt		X	M 12 X 140
3	909.910.0	Detent Edged Washer		X	SKM 12
4	908.701.0	Hex Nut		X	M 12
5	153.792.0	Rear Safety Frame Complete		X	
6	153.799.0	Rear Safety Frame		X	
7	260.490.0	Warning Panel		X	
	924.569.0	Decal		X	
8	900.636.0	Hex Head Bolt		X	M 10 X 25
9	910.361.0	Washer		X	10.5 X 25 X 4
10	908.758.0	Hex Nut		X	M 10
11	900.675.0	Hex Head Bolt		X	M 16 X 40
12	909.912.0	Detent Edged Washer		X	SKM 16
13	908.716.1	Hex Nut		X	M 16
14	925.014.0	Wheel Chock		X	
15	925.109.0	Wheel Chock Holder		X	
16	914.138.0	Rivet		X	4.8 X 14.5
17	910.500.1	Washer		X	5.3 X 10 X 1
18	924.536.0	Side Reflector Yellow		X	Rd. 62
19	924.535.1	Rear Reflector Red		X	Rd. 62

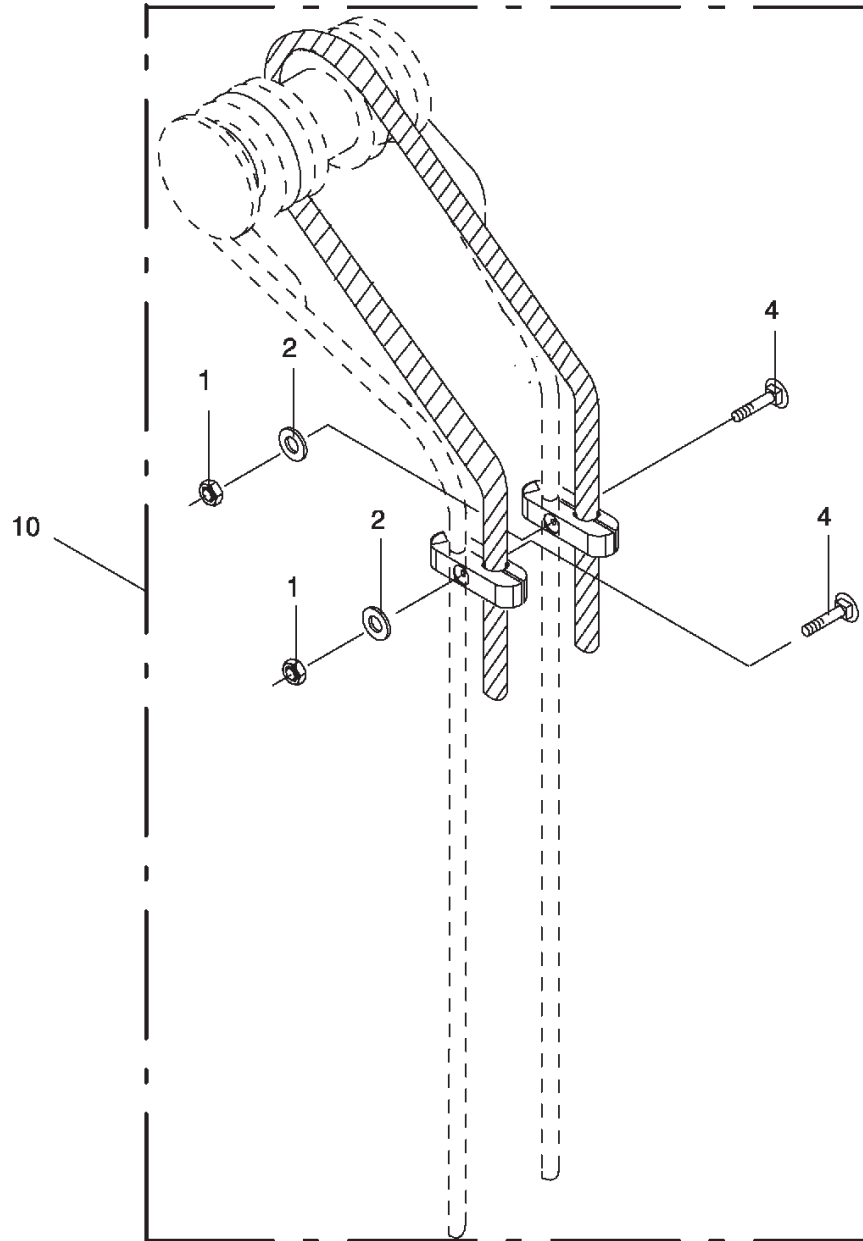


444 833 1

# Rear Safety Frame - Reflector - Serial No. 606254-

## Rear Safety Frame - Reflector - Serial No. 606254-

Item	Part Number	Description	Serial # Ranges	KS-46 T	Notes
1	268.391.0	Warning Panel Support Right		X	
2	268.390.0	Warning Panel Support Left		X	
3	900.335.1	Hex Head Bolt		X	M 16 X 30
4	909.912.0	Detent Edged Washer		X	SKM 16
5	268.395.0	Cross Beam		X	
6	901.434.0	Hex Head Bolt		X	M 10 X 55
7	909.909.0	Detent Edged Washer		X	SKM 10
8	910.353.0	Washer		X	11 X 34 X 3
9	908.758.0	Hex Nut		X	M 10
10	268.397.0	Plate		X	
11	925.109.0	Holder for Wheel Chock		X	
12	914.138.0	Rivet		X	4.8 X 14.5
13	910.500.1	Washer		X	5.3 X 10 X 1
14	924.569.0	Decal		X	
15	260.490.0	Warning Panel		X	
16	900.636.0	Hex Head Bolt		X	M 10 X 25
17	910.361.0	Washer		X	10.5 X 25 X 4
18	259.143.0	Plate		X	
19	924.634.0	Side Reflector Yellow		X	Rd. 62
20	924.535.1	Rear Reflector Red		X	
21	925.014.0	Wheel Chock		X	
22	145.912.1	Light Support		X	
23	900.616.0	Hex Head Bolt		X	M 8 X 25
24	910.413.0	Washer		X	8.4 X 17 X 1.6
25	908.706.0	Hex Nut		X	M 8



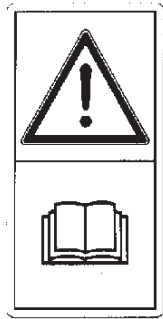
448 476 2

# Tine Savers

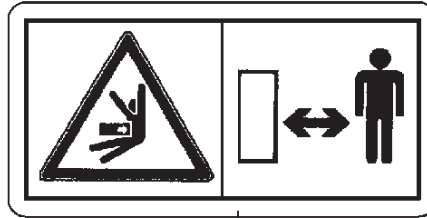


## Tine Savers

Item	Part Number	Description	Serial # Ranges	KS-46 T	Notes
1	908.704.1	Hex Nut		X	M 6
2	910.351.1	Washer		X	6.4 X 18 X 1.6
4	904.804.0	Flat Round Bolt		X	M 6 X 30
10	153.479.0	Tine Saver		52	



1



2



3



4



6

449 410 1

# Warning Decals

## Warning Decals

Item	Part Number	Description	Serial # Ranges	KS-46 T	Notes
1	939.471.1	Decal		X	
2	939.472.2	Decal		X	
3	939.574.0	Decal		X	
4	939.100.0	Decal		X	
6	942.196.1	Decal		X	

**SWADRO 46T**

1

**KRONE**

2

- D** Dreipunkthydraulik langsam absenken. Eventuell Drossel einbauen.
- E** Bajar lentamente el soporte tripuntal. En caso necesario montar un estrangulador.
- F** Abaisser lentement le relevage trois-points. Le cas échéant monter un restricteur.
- GB** Lower the three-point linkage slowly. If necessary install a restrictor.
- I** Abbassare lentamente il cavalletto attacco a tre punti. All'occorrenza montare uno strozzatore. 942 118-0

3

4  
**1.0 Bar**



6  
**350-450/ min**

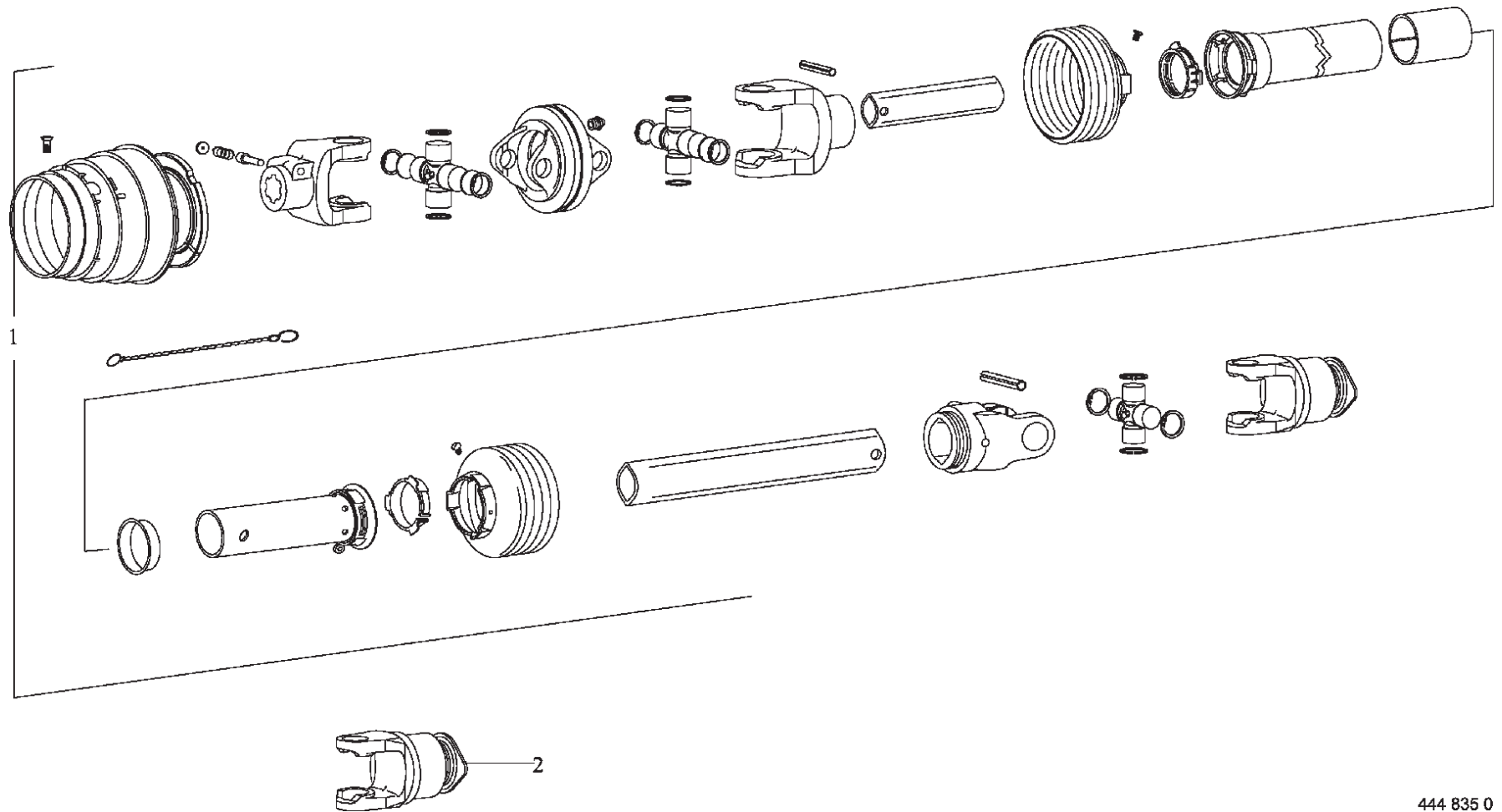


444 834 0

## General Information Decals

## General Information Decals

Item	Part Number	Description	Serial # Ranges	KS-46 T	Notes
1	942.443.0	Decal		X	370mm Long  1.0 Bar 423 X 423
2	942.296.0	Decal		X	
3	942.118.0	Decal		X	
4	939.183.1	Decal		X	
5	924.569.0	Decal		X	
6	942.119.1	Decal		X	
7	942.339.1	Decal		X	

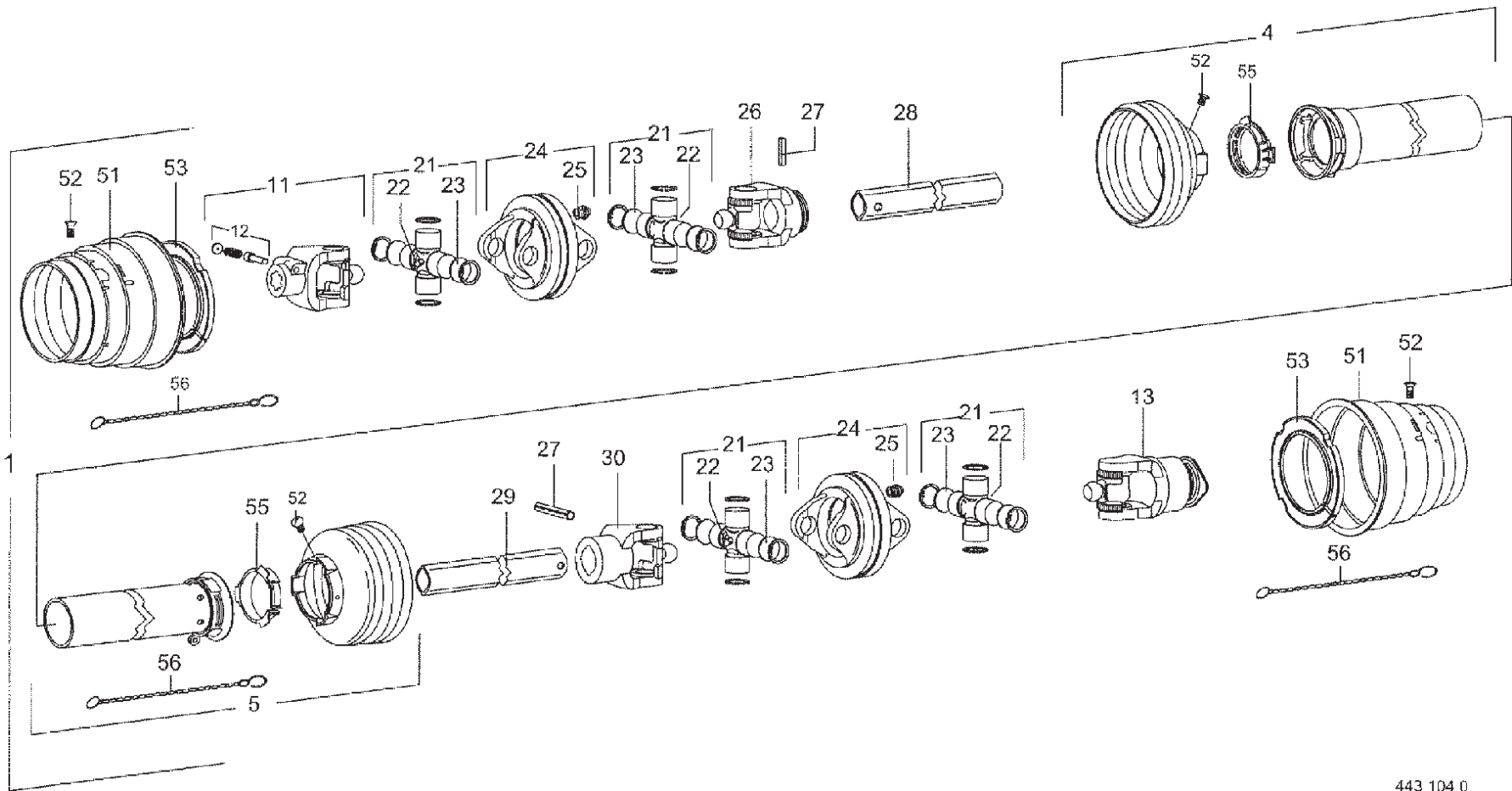


444 835 0

**PTO Shaft - Walterscheid - Serial No. 585400-606253**

## PTO Shaft - Walterscheid - Serial No. 585400-606253

Item	Part Number	Description	Serial # Ranges	KS-46T	Notes
1	949.157.0	PTO Shaft		X	WW2280-SD15
2	949.399.0	Overrunning Clutch		X	F5/1R - 1 3/8" - 6 Spline



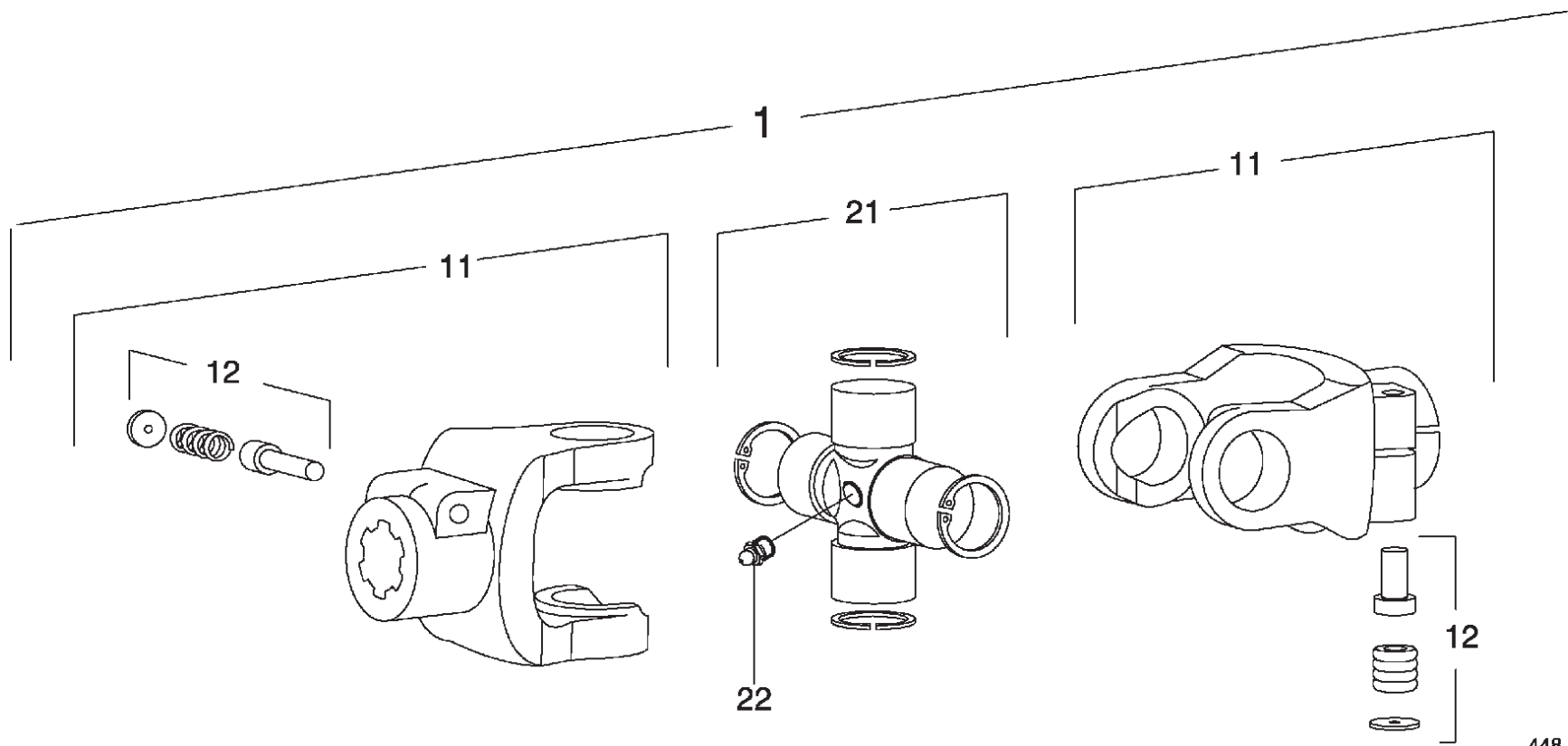
443 104 0

# PTO Shaft - Walterscheid - Serial No. 606254-



## PTO Shaft - Walterscheid - Serial No. 606254-

Item	Part Number	Description	Serial # Ranges	KS-46 T	Notes
1	949.389.0	PTO Shaft		X	WWZ2280-SD15
4	949.622.0	Outer Guard Tube		X	
5	949.227.2	Male Tube		X	
11	949.371.0	Outer Yoke		X	AG 2280
12	949.630.0	Locking Pin Complete		X	
13	955.290.0	Pin-Type Safety Clutch Complete		X	1 3/8" - 6 Spline - 550 NM
21	949.373.0	Cross Assembly Complete		X	WW2280
22	919.103.0	Grease Fitting		X	M 8 X 1
23	955.291.0	Disc		X	Rd 21.95 X 2
24	949.374.0	Double Yoke Complete		X	PG2280
25	919.003.0	Grease Fitting		X	H1/S M 8 X 1
26	955.473.0	Grooved Yoke		X	RG 2280-OV
27	912.719.0	Roll Pin		X	10 X 65
28	949.690.0	Inner Tube		X	500mm Long
29	949.731.0	Outer Tube		X	500mm Long
30	949.372.0	Yoke		X	
51	949.376.0	PTO Guard		X	
52	949.281.0	Bolt		X	M 4 X 10
53	955.292.0	Bearing Ring		X	SD 05/15
55	949.863.0	Bearing Ring		X	
56	949.283.0	Chain		X	600mm Long



448 483 2

# Universal Joint - Walterscheid

## Universal Joint - Walterscheid

Item	Part Number	Description	Serial # Ranges	KS-46 T	Notes
1	956.028.0	Universal Joint		X	1 3/8" - 6 Spline
11	949.403.0	Outer Yoke		X	1 3/8" - 6 Spline
12	949.630.0	Locking Pin Complete		X	
21	956.560.0	Cross Assembly Complete		X	
22	919.103.0	Grease Fitting		X	M 8 X 1